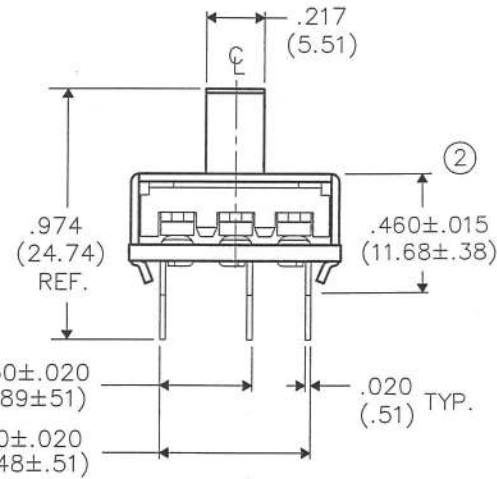
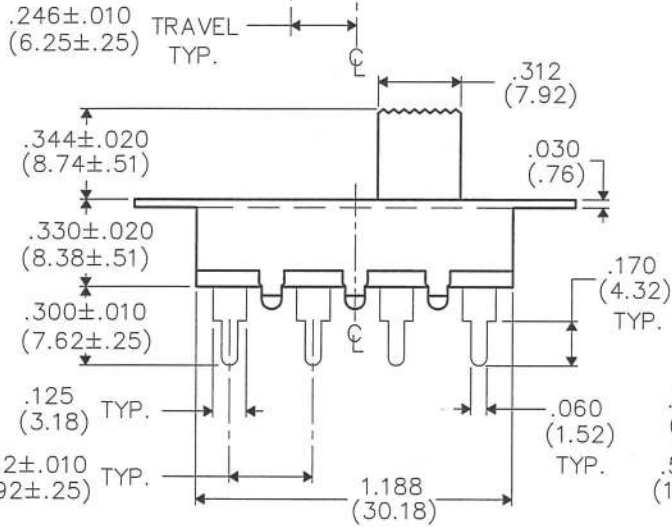
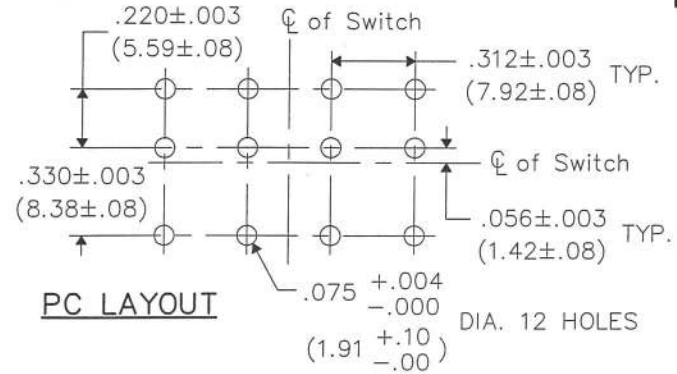
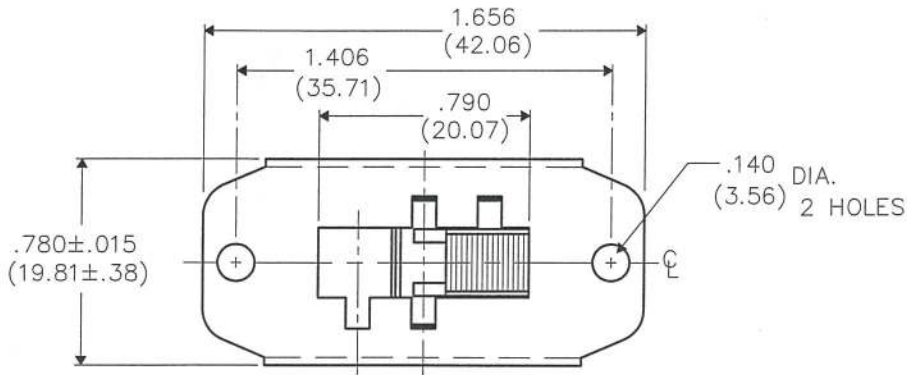


DIMENSIONS IN INCHES (MILLIMETERS)
DO NOT SCALE DRAWING

Dwg. No.
G-368S-0001



1 2 3 4 5 6 7 8 9 10

B-FORMAT 2002	REVISIONS	1	UPDATED & REDRAWN. DGW 3-27-2003
		2	CORRECTED .460 ± .015 DIMENSION LINE LOCATION IN SIDE VIEW. DGW 6-22-2012

G.G. JUN 2 2013

ATTENTION
THIS DRAWING AND ITS ATTACHMENT, IF ANY, ARE
PROPRIETARY TO CW INDUSTRIES AND DESCRIBE
DESIGNS THAT ARE CONFIDENTIAL AND MUST NOT
BE DISCLOSED UNLESS AUTHORIZED, IN WRITING,
BY AN OFFICER OF CW INDUSTRIES.....

PDF File Made	CW INDUSTRIES Southampton, Pa. 18966	Title: SWIDGET ASSEMBLY 3P. 3P.
	TOLERANCES UNLESS OTHERWISE SPECIFIED	Division: SWITCH
	2 Place Decimal ±.010 METRIC 3 Place Decimal ±.005 1 Place Dec. ±.25mm Angles ±1' 2 Place Dec. ±.13mm	Dwg. No. G-368S-0001
	Made for: CW IND. Drawn by: DGW 3-27-2003 Checked by: G.Guld 4-8-03 Approval: B.F. Varyan 4-8-03	

MASTER