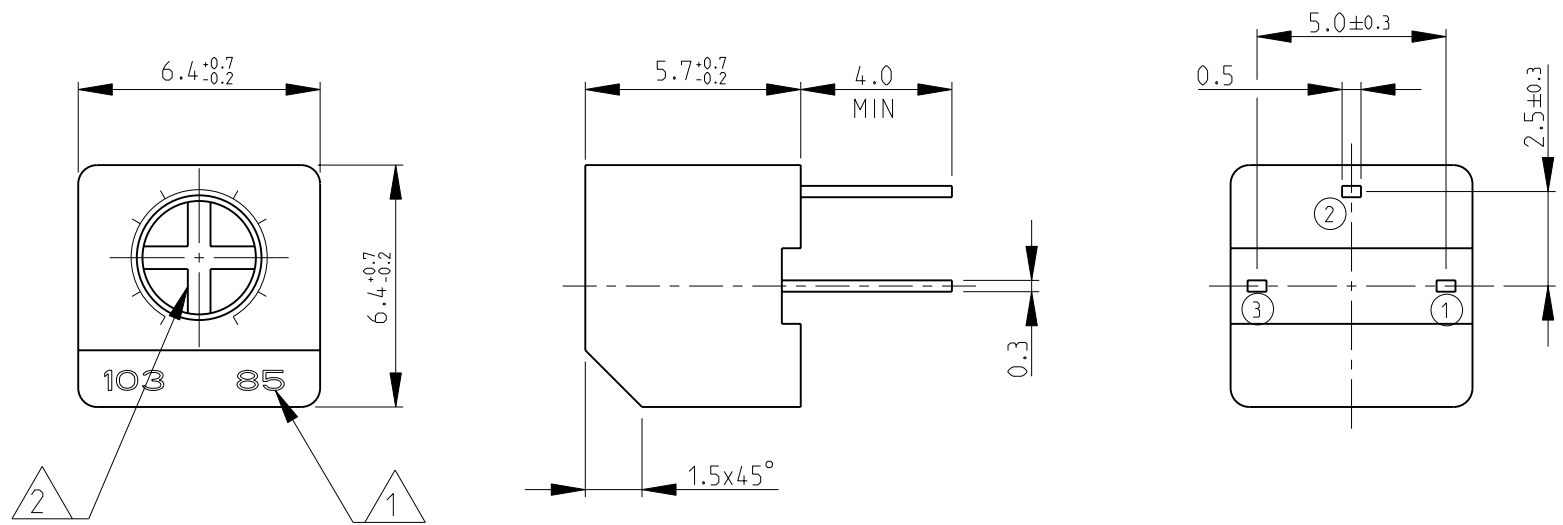


THIS DRAWING IS UNPUBLISHED. RELEASED FOR PUBLICATION 2008  
 © COPYRIGHT 2008 BY TYCO ELECTRONICS CORPORATION. ALL RIGHTS RESERVED.

LOC	DIST	REVISIONS			
P	LTR	DESCRIPTION	DATE	DWN	APVD
E	B	A	NEW RELEASE	14-NOV-08	SM St.P

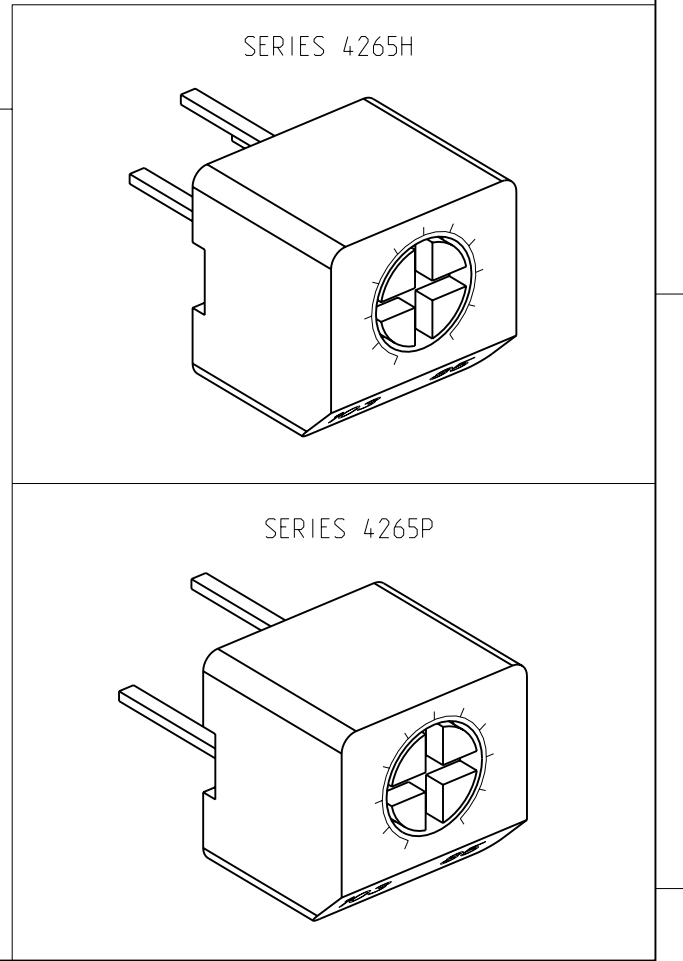
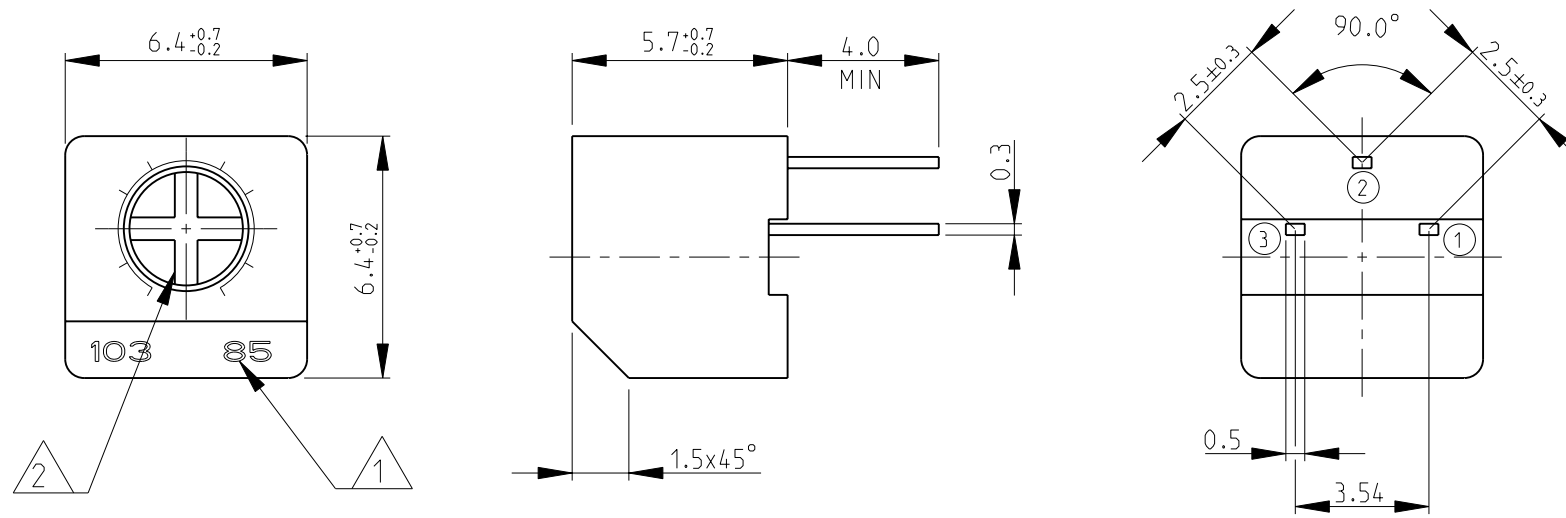
SERIES 4265P AS SHOWN



- 1 MARKINGS
- 2 ADJUSTMENT SCREW: LENGTH- 3.0mm, WIDTH- 0.6mm, DEPTH- 0.7mm
- 3 FOR FURTHER INFORMATION SEE DATA SHEET FOR 4265 SERIES-PROFESSIONAL TRIMMERS

RoHS Compliant

SERIES 4265H AS SHOWN



THIS DRAWING IS A CONTROLLED DOCUMENT FOR TYCO ELECTRONICS CORPORATION IT IS SUBJECT TO CHANGE AND THE CONTROLLING ENGINEERING ORGANIZATION SHOULD BE CONTACTED FOR THE LATEST REVISION.		DWN	SUBHASH.M	14-NOV-08	Tyco Electronics Corporation Dorcan, Swindon, SN3 5HH
DIMENSIONS: mm 		CHK	PRAKASH.S	14-NOV-08	
		APVD	STEPHEN.P	14-NOV-08	
TOLERANCES UNLESS OTHERWISE SPECIFIED: 0 PLC ±0.2 1 PLC ±0.1 2 PLC ± 3 PLC ± 4 PLC ± ANGLES ±5°		PRODUCT SPEC	NAME		
MATERIAL -		APPLICATION SPEC	SIZE		A3
FINISH -		WEIGHT -	CAGE CODE	DRAWING NO	00779 C-1623853
CUSTOMER DRAWING			SCALE	5:1	SHEET 1 OF 1
			RESTRICTED TO	REV A	