

344106-1 ✓ ACTIVE

AMP | Econoseal

TE Internal #: 344106-1

Housing for Female Terminals, Wire-to-Board, 18 Position, .197 in [5 mm] Centerline, Sealable, Black, Wire & Cable, Signal, Econoseal

[View on TE.com >](#)



Connectors > Automotive Connectors > Automotive Housings



Connector & Housing Type: **Housing for Female Terminals**

Mating Tab Width: **1.8 mm [ .07 in ]**

Connector System: **Wire-to-Board**

Number of Positions: **18**

Centerline (Pitch): **5 mm [ .197 in ]**

## Features

### Product Type Features

Connector Shape	Rectangular
Connector & Housing Type	Housing for Female Terminals
Connector System	Wire-to-Board
Sealable	Yes
Hybrid Connector	No
Primary Locking Feature	Integrated in Housing
Connector & Contact Terminates To	Wire & Cable

### Configuration Features

Blank Cavity Position	0
Number of Positions	18
Number of Rows	3

### Electrical Characteristics

Nominal Voltage Architecture	12 V
------------------------------	------

### Body Features

Cable Exit Angle	180°
Primary Product Color	Black
Connector & Keying Code	Neutral

### Contact Features

--	--



Contact Size	1.8mm
Contact Type	Receptacle
Mating Tab Width	1.8 mm[.07 in]
Contact Current Rating (Max)	10 A

### Mechanical Attachment

Terminal Position Assurance	Yes
Strain Relief	Add By Accessory
Mating Alignment Type	Polarization Slot
Mating Alignment	With
Connector Mounting Type	Cable Mount (Free-Hanging)

### Housing Features

Housing Material	PA
Centerline (Pitch)	5 mm[.197 in]

### Usage Conditions

Operating Temperature (Max)	105 °C[221 °F]
Operating Temperature Range	-40 – 105 °C[-40 – 221 °F]

### Operation/Application

Circuit Application	Signal
---------------------	--------

### Industry Standards

Degree of Protection	Not Tested
Agency/Standard	None
UL Flammability Rating	Not tested

### Packaging Features

Packaging Quantity	400
Packaging Method	Bag

### Other

Connector Position Assurance Capable	No
--------------------------------------	----

### Product Compliance

[For compliance documentation, visit the product page on TE.com>](#)

EU RoHS Directive 2011/65/EU	Compliant
EU ELV Directive 2000/53/EC	Compliant

China RoHS 2 Directive MIIT Order No 32, 2016

No Restricted Materials Above Threshold

EU REACH Regulation (EC) No. 1907/2006

Current ECHA Candidate List: JUNE 2023 (235)

Candidate List Declared Against: JAN 2023 (233)

Does not contain REACH SVHC

Halogen Content

Low Halogen - Br, Cl, F, I &lt; 900 ppm per homogenous material. Also BFR/CFR/PVC Free

Solder Process Capability

Not applicable for solder process capability

## Product Compliance Disclaimer

This information is provided based on reasonable inquiry of our suppliers and represents our current actual knowledge based on the information they provided. This information is subject to change. The part numbers that TE has identified as EU RoHS compliant have a maximum concentration of 0.1% by weight in homogenous materials for lead, hexavalent chromium, mercury, PBB, PBDE, DBP, BBP, DEHP, DIBP, and 0.01% for cadmium, or qualify for an exemption to these limits as defined in the Annexes of Directive 2011/65/EU (RoHS2). Finished electrical and electronic equipment products will be CE marked as required by Directive 2011/65/EU. Components may not be CE marked. Additionally, the part numbers that TE has identified as EU ELV compliant have a maximum concentration of 0.1% by weight in homogenous materials for lead, hexavalent chromium, and mercury, and 0.01% for cadmium, or qualify for an exemption to these limits as defined in the Annexes of Directive 2000/53/EC (ELV). Regarding the REACH Regulation, the information TE provides on SVHC in articles for this part number is based on the latest European Chemicals Agency (ECHA) 'Guidance on requirements for substances in articles' posted at this URL: <https://echa.europa.eu/guidance-documents/guidance-on-reach>

## Compatible Parts



TE Part # 348461-1  
ECON 3 LC PLUG SILIC



TE Part # 2305570-1  
Strip Terminal Cutter-Side Feed-No  
Crimp



TE Part # 344103-1  
18W ENG.MAN.SYS.HEADER



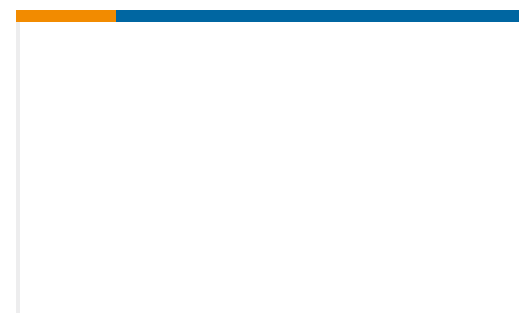
TE Part # 175104-2  
070 REC CONTACT FOR EJ MK-2 GB



TE Part # 347874-1  
CABLE SEAL LC SILICON 0.5 T



TE Part # 2151881-1  
OCEAN\_2.0\_Applicator-S-090F145O



TE Part # 347740-1  
18 WAY PERIPHERAL SEAL SILIC

Also in the Series | **Econoseal**



Automotive Connector Caps & Covers (1)



Automotive Connector Locks & Position Assurance(25)



Automotive Housings(106)



Automotive Seals & Cavity Plugs(19)



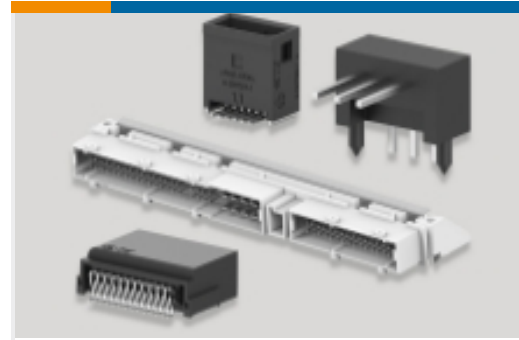
Automotive Terminals(48)



Insertion & Extraction Tools(7)



Other Automotive Connector Accessories(5)



PCB Headers & Receptacles(4)

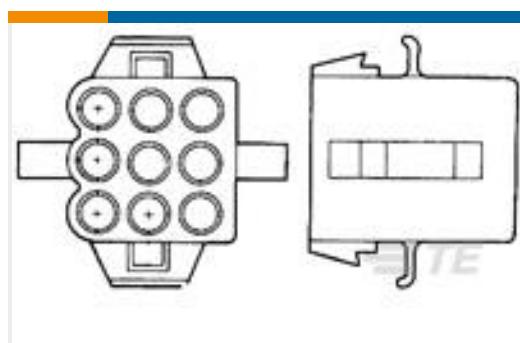


Primary Wire(1)

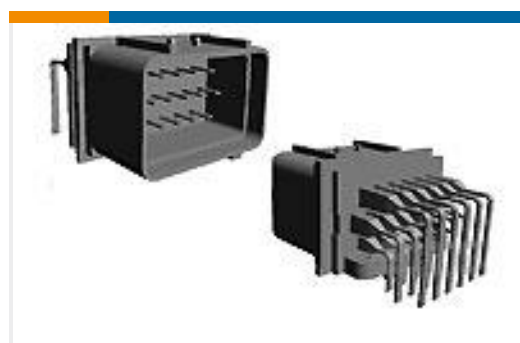
## Customers Also Bought



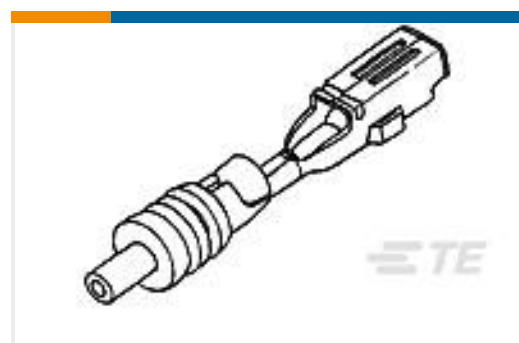
TE Part #DT06-08SB-CE06  
PLG, 8P, BLK, E, SEAL RET, B



TE Part #1-480672-0  
09P .140 MNL PLUG PM NAT



TE Part #344103-1  
18W ENG.MAN.SYS.HEADER



TE Part #175104-2  
070 REC CONTACT FOR EJ MK-2 GB



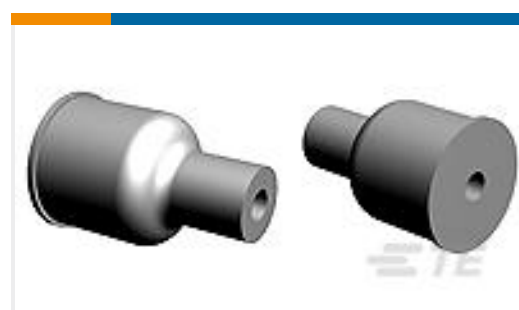
TE Part #8268294002  
NETM1000-12-0-SP



TE Part #6464574002  
NETM1000-8-0-SP



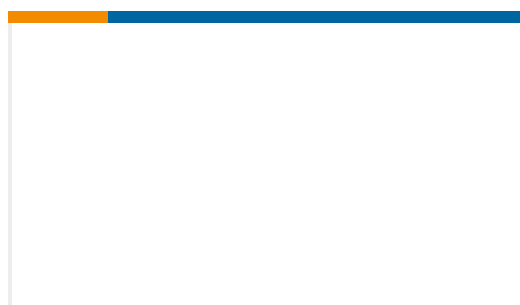
TE Part #5241734002  
NETM1000-5-0-SP



TE Part #348989-1  
0.5MM CABLE SEAL LC RED



TE Part #8862474002  
NETM1000-6-0-SP



TE Part #344107-1  
18W EMS.REC.ANTI-BACKOUT

## Documents

### Product Drawings

[18W EMS.REC.HSG.ASSY.](#)

English

### CAD Files

[3D PDF](#)

3D

Customer View Model

[ENG\\_CVM\\_CVM\\_344106-1\\_C.2d\\_dxf.zip](#)

English

Customer View Model

[ENG\\_CVM\\_CVM\\_344106-1\\_C.3d\\_igs.zip](#)

English

Customer View Model

[ENG\\_CVM\\_CVM\\_344106-1\\_C.3d\\_stp.zip](#)

English

By downloading the CAD file I accept and agree to the [Terms and Conditions](#) of use.