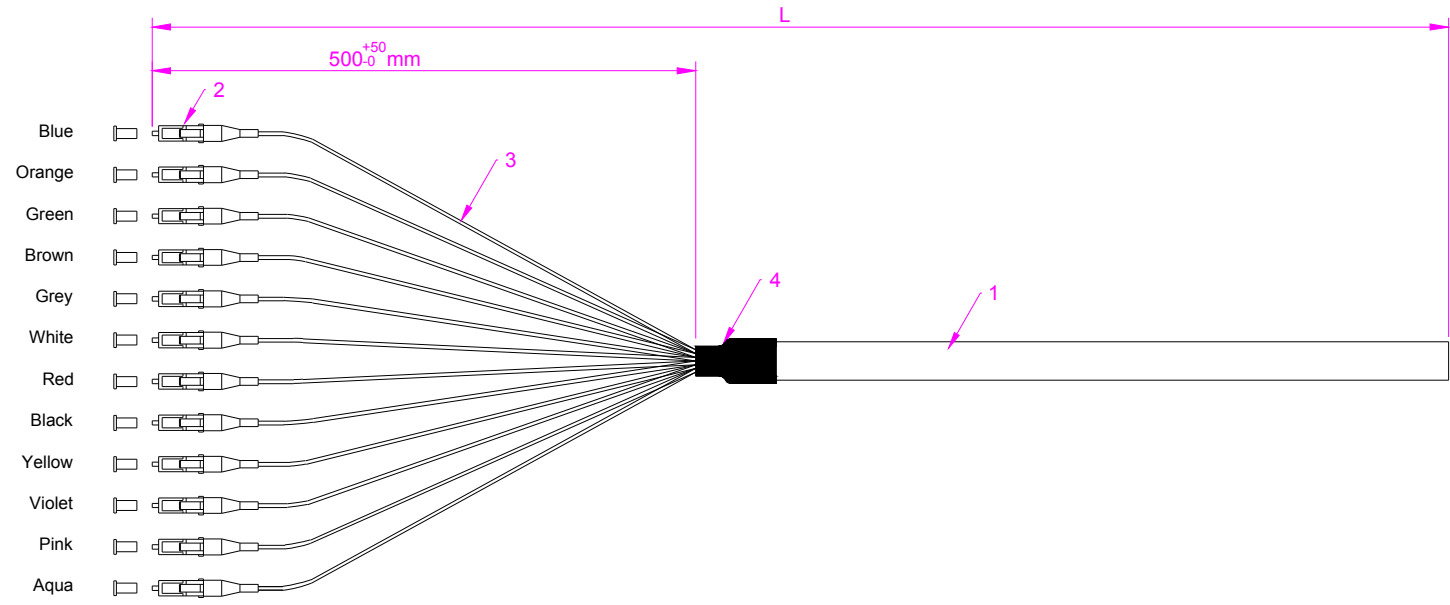
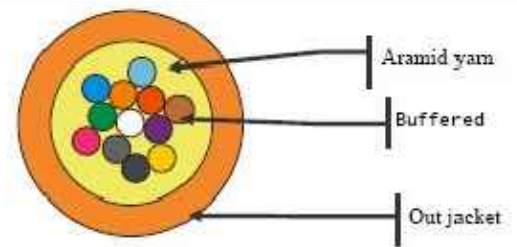


| | | | |
|-----|--------------|-------------|-----------|
| REV | MODIFICATION | UPDATE DATE | SIGNATURE |
| | | | |



Technical requirements:
 1. Performance requirements:
 Insertion loss: $IL \leq 0.2\text{dB}$
 Return loss: $RL \geq 35\text{dB}$
 2. Fiber optic connectors meet IEC 61754, YDT1272 standards
 3. Optical fiber cable in line with IEC60793-1, IEC 60794 standards
 4. Fiber optic jumper complies with IEC 61300, GR-326, TIA/EIA568-B standards



| Cable Length | Tolerance |
|--------------------------|-------------------|
| Cable Length < 1M | 5cm |
| 1M ≤ Cable Length < 15M | 10cm |
| 15M ≤ Cable Length < 30M | 15cm |
| Cable Length ≥ 30M | Cable Length * 1% |

| Requirements Of Cable | | | | | |
|-----------------------|------------|-------------|--------------------|-----------------------|---------------|
| Cable Type | | | | Fiber Type | OM3-150 |
| Cable Diameter | 6.2mm | Attenuation | @850nm ≤ 3.5dB/km | | |
| Cable Material | PVC | | @1300nm ≤ 1.5dB/km | | |
| Tensile Strength | Long Term | 130 N | Crush Resistance | Long Term | 300 N/100mm |
| | Short Term | 430 N | | Short Term | 1000 N/100mm |
| Bending Radius | Static | / | Temperature Range | Storage Temperature | -20°C ~ +70°C |
| | Dynamic | / | | Operating Temperature | -20°C ~ +70°C |

| | | | |
|---|-----|--|--|
| 4 | 1 | | Shrinkage Tube |
| 3 | A/R | | 0.9mm, Simplex, 12 Colors, Hytel |
| 2 | 12 | | LC/UPC MM Simplex 0.9mm Connector (Beige Housing White Boot) |
| 1 | A/R | | Ø:6.2mm, Multimode 50/125 OM3-150, Corning fiber, 12 fibers Distribution Cable, PVC, Color: Aqua |

| ITEM | QTY | P/N | SPECIFICATIONS | | | |
|-------|-----|-----|-------------------|----------|-------------|---|
| DRAW | | | Taylor Scott | DATE | 13-08-2021 | TITLE: Pigtail LC/UPC 12 Fibers Multimode |
| CHECK | | | <i>Lihuanhuan</i> | APPROVED | CUSTOMER NO | DWG NO |
| | | | | | | FJ5GLCX-XXM-12FR |
| | | | | | | REV |
| | | | | | | A |