


**EFG 45-LG/BS GY**

Order No.: 2757474

<http://eshop.phoenixcontact.de/phoenix/treeViewClick.do?UID=2757474>Electronic module, for insertion of two printed circuit boards, without  
screw connection terminal blocks**Commercial data**

GTIN (EAN)	 4 017918 063566
sales group	F092
Pack	5 pcs.
Customs tariff	85472000
Catalog page information	Page 550 (CC-2009)

**Product notes**WEEE/RoHS-compliant since:  
05/20/2005

<http://www.download.phoenixcontact.com>  
Please note that the data given here has been taken from the online catalog. For comprehensive information and data, please refer to the user documentation. The General Terms and Conditions of Use apply to Internet downloads.

**Technical data****General**

Housing type	Complete housing
Housing material	polycarbonate
Color	gray

**Dimensions / positions**

Length	118 mm
Width	45 mm

**Technical data**

Ambient temperature (operation)	-40 °C ... 125 °C
Inflammability class acc. to UL 94	V0
Power dissipation at 20°C in the horizontal mounting position	9.5 W 11.5 W

**Accessories**

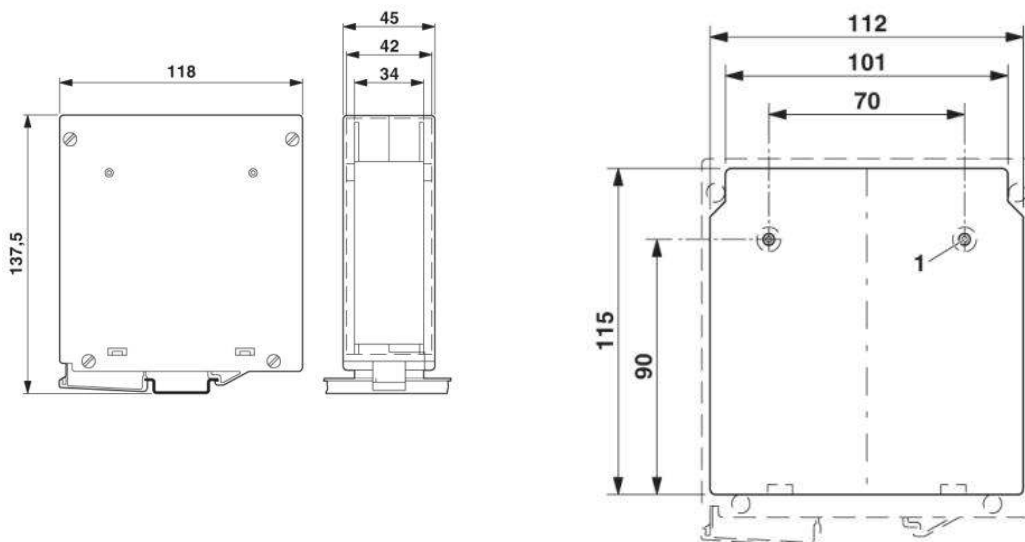
Item	Designation	Description
------	-------------	-------------

**General**

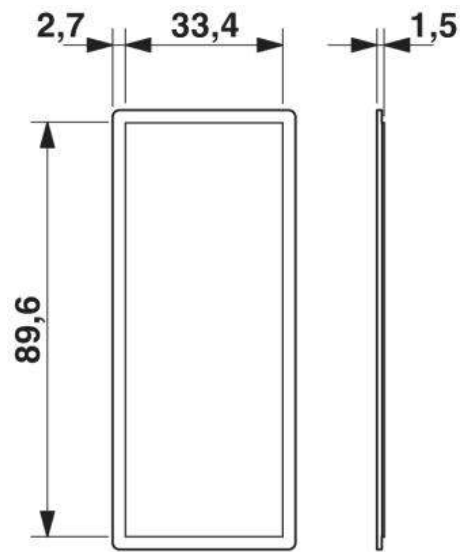
1700008	FRONT 2,5-H/SA 5	PC terminal block, Nominal current: 24 A, Nom. voltage: 250 V, Pitch: 5 mm, Number of positions: 1, Type of connection: Screw connection, Mounting: Soldering, Conductor/PCB connection direction: 0 °, Color: green, The article can be aligned to create different nos. of positions!
---------	------------------	---

**Diagrams/Drawings**

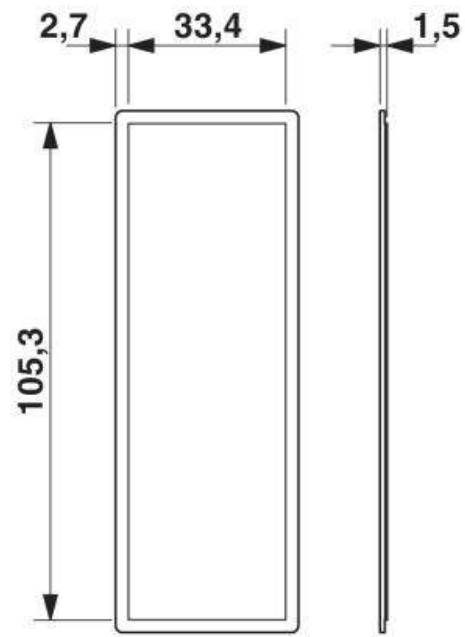
Dimensioned drawing



1 = Diameter 3.2 mm for M3



Side element (front and back)



Cover element

EFG 45-LG/BS GY Order No.: 2757474

<http://eshop.phoenixcontact.de/phoenix/treeViewClick.do?UID=2757474>

---

**Address**

PHOENIX CONTACT Deutschland GmbH  
Flachmarktstr. 8  
32825 Blomberg, Germany  
Phone +49 5235 3 12000  
Fax +49 5235 3 41200  
<http://www.phoenixcontact.de>



© 2010 Phoenix Contact  
Technical modifications reserved;