

# INTERVOX Speakers from International ©

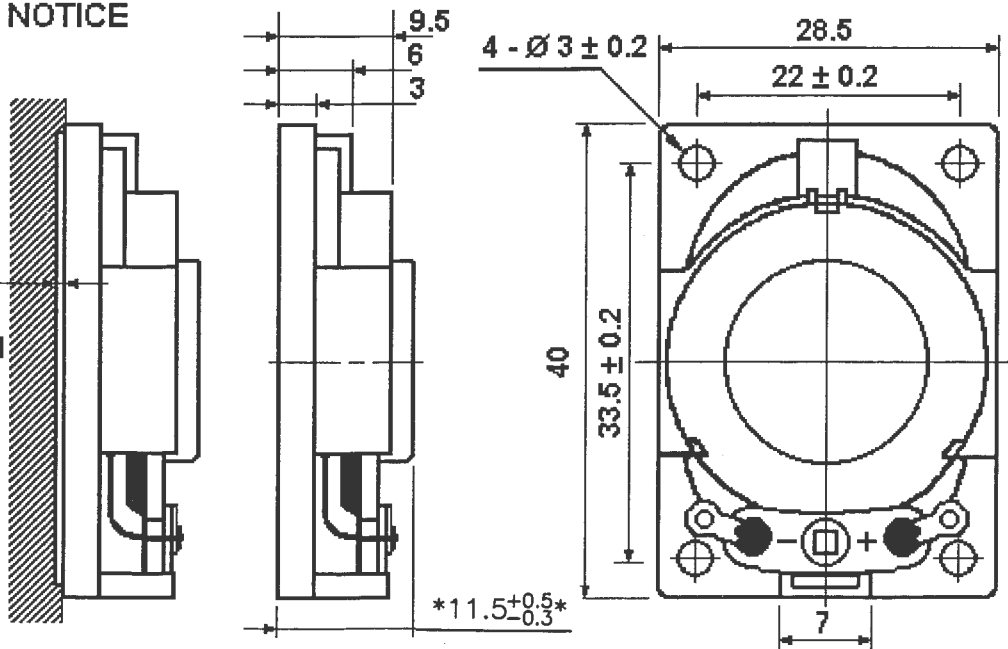
215 McCormick Drive, Bohemia, NY 11716 (631)952-9595 Fax: (631) 952-9597 e-mail: oemsales@icc107.com

Code No. G50

ICC Part No.	<b>S11X16VNS (RoHS Compliant)</b>
1. Dimensions	Outer Diameter <b>28.5 x 40 mm.</b> Baffle Opening <b>26x38 mm.</b> Height <b>Refer to Drawing</b> Weight <b>12 Grams</b>
2. Magnet	Materials <b>Rare Earth</b> Size: <b>12.5<math>\times</math>1.8 mm.</b>
3. Nominal Impedance	<b>8 <math>\Omega</math> <math>\pm</math> 15 %</b> at <b>1500 Hz.</b>
4. Power Rating	Normal <b>1000 mW.</b> Maximum <b>2000 mW</b>
5. Resonant Frequency	<b>390 <math>\pm</math> 20 % Hz.</b>
6. Output Sound Pressure Level (S.P.L.)	<b>82 <math>\pm</math> 3 dB / 1 Watt 0.5 Meter</b>
	Average at <b>600, 800, 1000, 1200 Hz.</b>
7. Frequency Range	<b>250 ~ 20,000 Hz.</b> Average SPL <b>-10 dB</b>
8. Distortion	<b>5 %</b> Maximum At <b>1000 Hz. 1000 mW</b>
9. Abnormal Sound Test	Must be Normal Tested By <b>2.83 Volts. Sine Wave.</b>
10. Load Test	White Noise with Weighted Filter <b>2.83 Volts. (RMS) 24 Hrs.</b>
11. Polarity	Diagram shall move Forward when Apply a Positive DC Current to the "+" or "Marked" Terminal.

## MOUNTING NOTICE

AT LEAST  
0.6 mm  
FOR  
DIAPHRAGM  
MOVING



Unit: mm

Housing Material: ABS

# INTERVOX Speakers from International ©

Model No. **S11X16VNS (RoHS Compliant)**

X: 19.000kHz.

\*Y: 75.10dB

ZA: Live Curve

SSR Fund

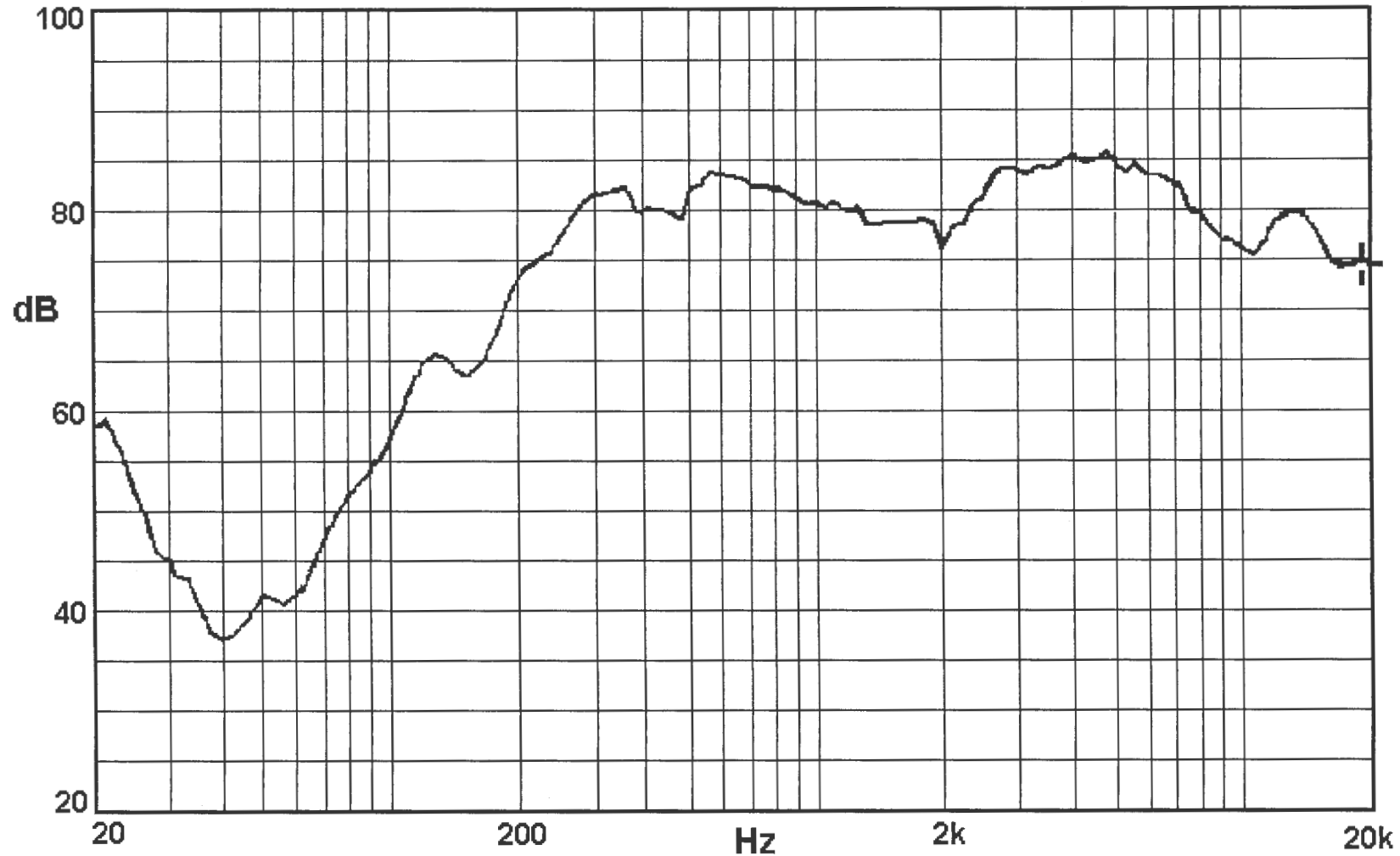
Imp.: 8  $\Omega$  1500 Hz 2.83 V

Fo.: 390 Hz 2.83 V

S.P.L.: 82 dB 1 W 0.5 M

Frequency Response: Magn dB re 20.0 $\mu$ Pa. (Chamber T)

S.P.L. average of 600, 800, 1000, 1200 Hz



10-DEC-1997

12:34:35

Mode: SSR