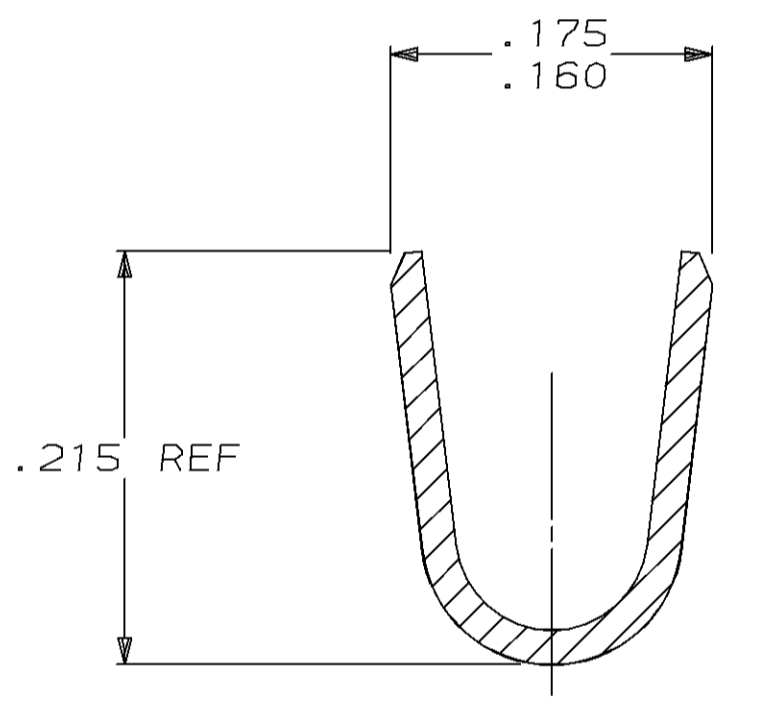
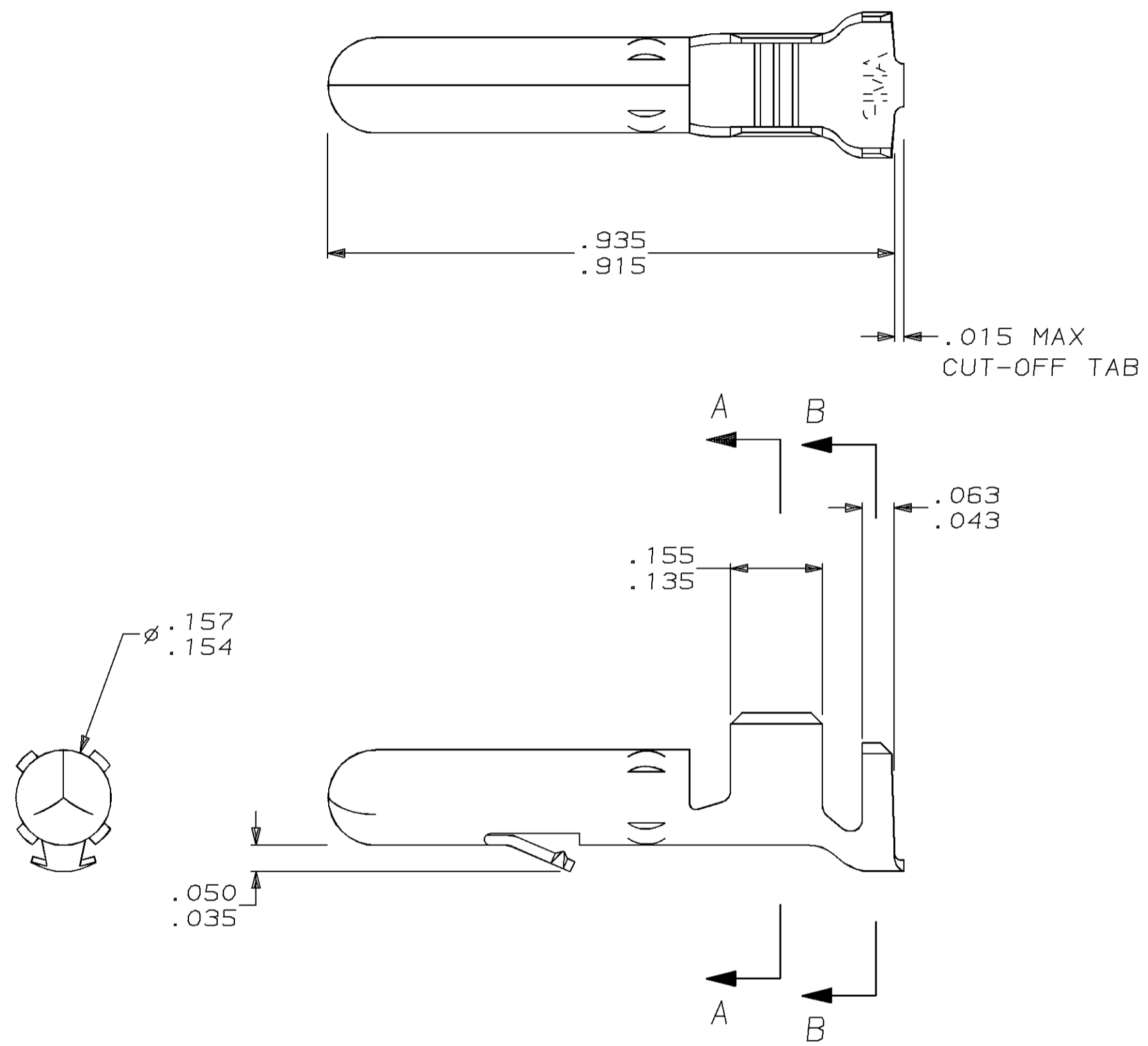


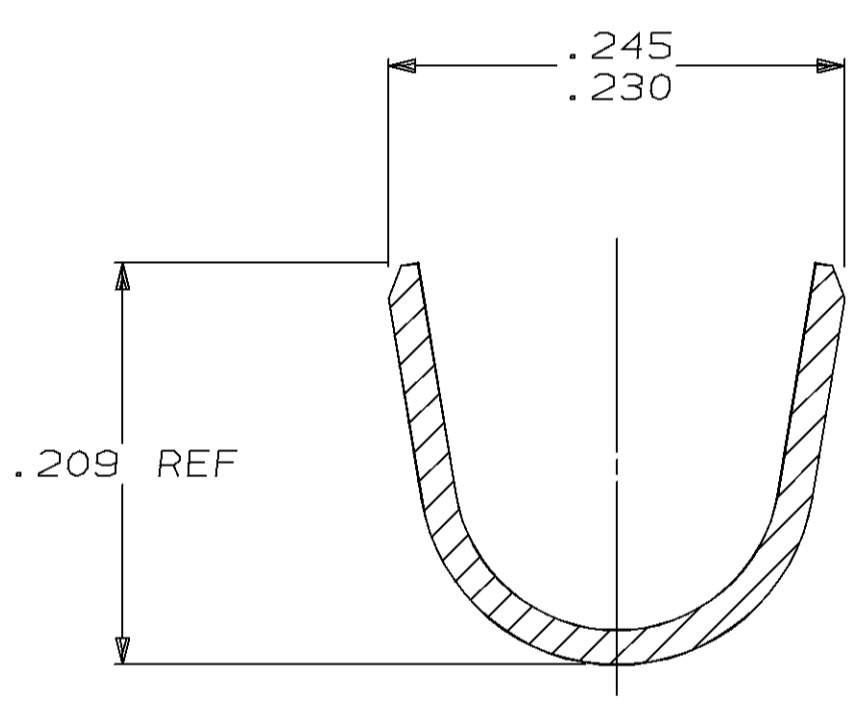
THIS DRAWING IS UNPUBLISHED. RELEASED FOR PUBLICATION
 © COPYRIGHT 19 BY AMP INCORPORATED. ALL RIGHTS RESERVED.

LOC	DIST	REVISIONS				
P	LTR	DESCRIPTION	DATE	DWN	APVD	
CM	53	C	REACT & REDWN PER EC 0730-0171-96	6-25-96	BL	RS

1. WIRE RANGE: 12-10 (3-6mm²) AWG
 INSULATION RANGE: .185 MAX.



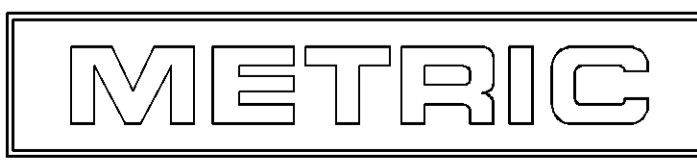
SECTION A-A
SCALE 10:1



SECTION B-B
SCALE 10:1

IN	MM	IN	MM	IN	MM	IN	MM
.050	1.27	.157	3.99	.230	5.84		
.043	1.09	.156	3.96	.215	5.46		
.035	0.89	.155	3.94	.209	5.31		
.018	0.46	.154	3.91	.185	4.70	.935	23.75
.015	0.38	.135	3.43	.175	4.45	.915	23.24
.005	0.13	.063	1.60	.160	4.06	.245	6.22
IN	MM	IN	MM	IN	MM	IN	MM

CONVERSION TABLE



TIN	.018 BRASS	61253-1
FINISH	MATERIAL	PART NO

THIS DRAWING IS A CONTROLLED DOCUMENT.		DWN B. LEWIS 6-25-96	AMP Incorporated Harrisburg, PA 17105-3608	
DIMENSIONS: INCHES		CHK R. SWING 6-25-96	AMP PIN, LOOSE PIECE, .156 MATE-N-LOK™	
TOLERANCES UNLESS OTHERWISE SPECIFIED:		APVD C. MARTIN 6-25-96		
		PRODUCT SPEC	SIZE A2	CAGE CODE 00779
MATERIAL BRASS		APPLICATION SPEC	DRAWING NO C-61253	SCALE 5:1
FINISH PRE-TIN		WEIGHT -	SHEET 1 OF 1	REV C
CUSTOMER DRAWING				