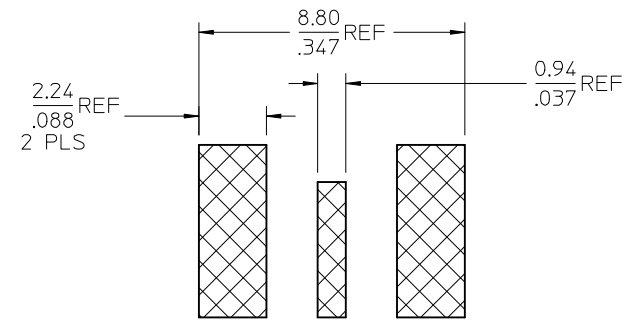
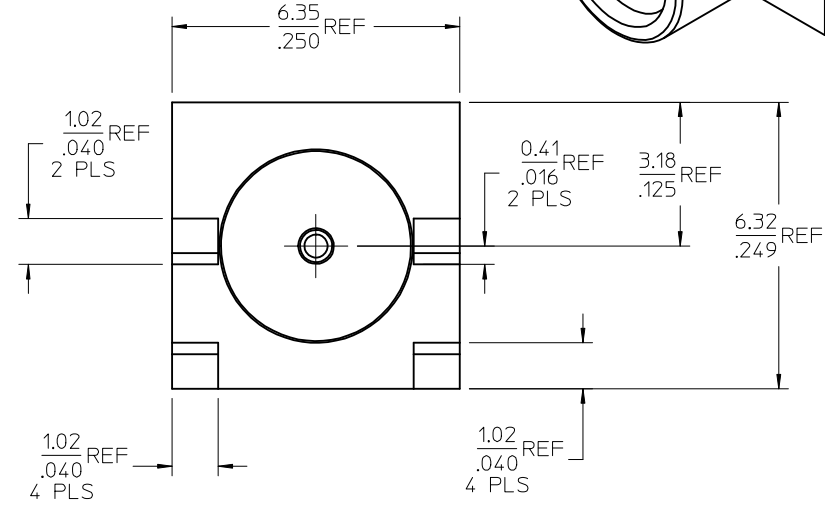
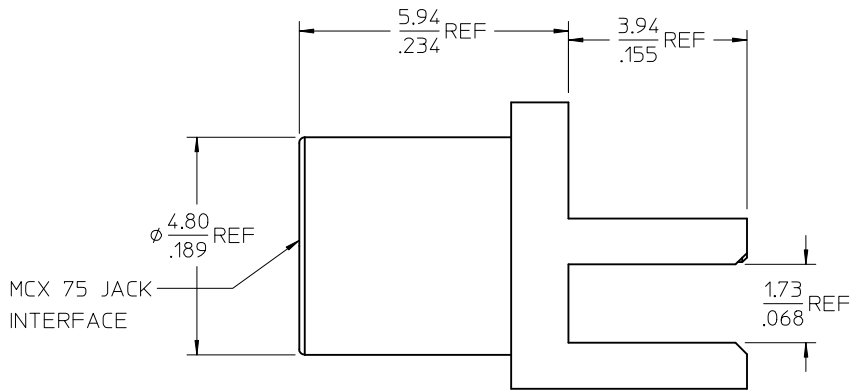
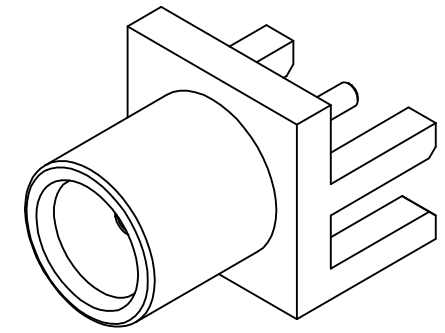


MATERIALS AND FINISHES

BODY: BRASS
 PLATED SEE TABLE

CENTER CONTACT: BERYLLIUM COPPER
 PLATED GOLD

INSULATOR: TEFLON



73415-5951	GOLD
73415-5950	NICKEL
PART NO.	FINISH

RECOMMENDED PCB LAYOUT

CHG: NEW RELEASE
 EC NO: URF2009-0691
 DRWN: JLEE02
 CHKD: SSS
 APPR: JWIENER

QUALITY SYMBOLS
 ▽=0
 ▽=0

GENERAL TOLERANCES (UNLESS SPECIFIED)

	mm	INCH
4 PLACES	± .005	± .0002
3 PLACES	± .005	± .0002
2 PLACES	± .005	± .0002
1 PLACE	± .005	± .0002

ANGULAR ± 2°

DRAFT WHERE APPLICABLE MUST REMAIN WITHIN DIMENSIONS

DIMENSION STYLE
 MM/IN

DRAWN BY: JM
 DATE: 2006/07/14

CHECKED BY: JM
 DATE: 2006/07/14

APPROVED BY: JDW
 DATE: 2006/07/14

MATERIAL NO.
 SEE TABLE

SIZE
 C

SCALE
 DESIGN UNITS
 METRIC

THIRD ANGLE PROJECTION

TITLE
 MCX 75 JACK, PCB
 EDGEMOUNT, 75 OHMS
 EWR-3150, MCX75-J/PCB

MOLEX INCORPORATED

DOCUMENT NO.
 SD-73415-595

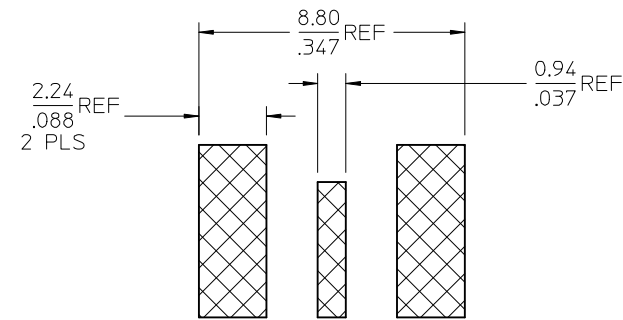
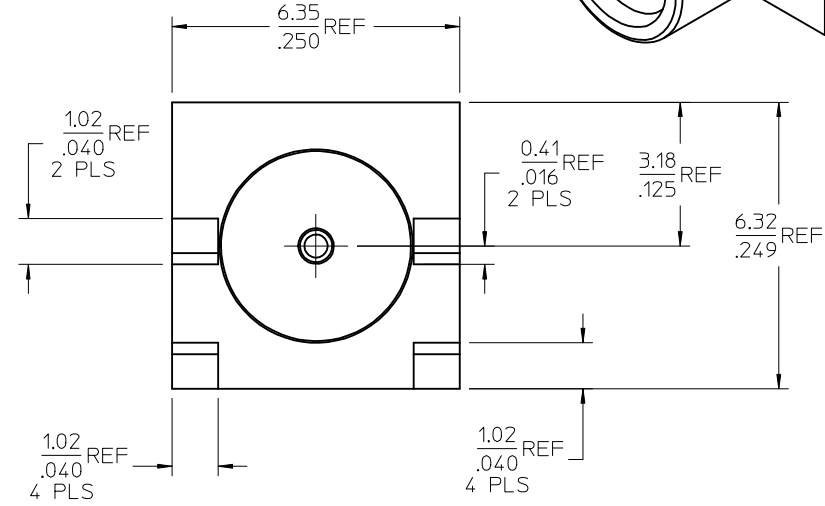
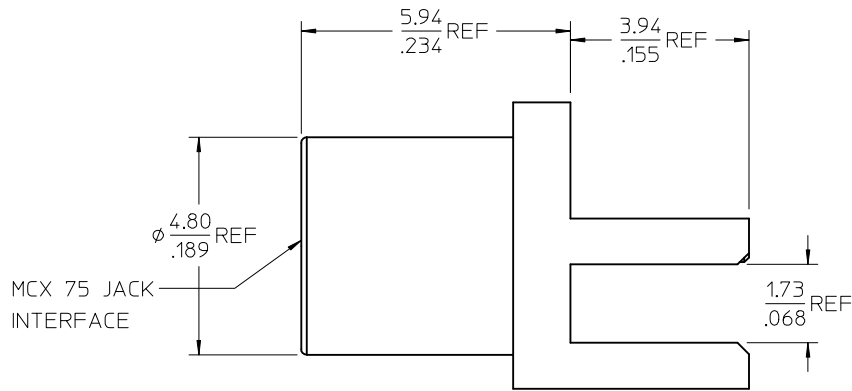
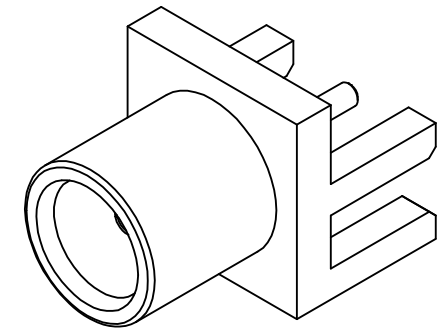
SHEET NO.
 1 OF 1

MATERIALS AND FINISHES

BODY: BRASS
 PLATED SEE TABLE

CENTER CONTACT: BERYLLIUM COPPER
 PLATED GOLD

INSULATOR: TEFLON



RECOMMENDED PCB LAYOUT

73415-5951	GOLD
73415-5950	NICKEL
PART NO.	FINISH

CHG: NEW RELEASE EC NO: URF2009-0691 DRWN: JLEE02 CHKD: SSS APPR: JWIENER	2009/05/26	2009/05/26
	2009/05/26	2009/05/26
	2009/05/26	2009/05/26
	2009/05/26	2009/05/26

QUALITY SYMBOLS	▽=0	▽=0
GENERAL TOLERANCES (UNLESS SPECIFIED)	mm	INCH
4 PLACES	± .005	± .0001
3 PLACES	± .005	± .0001
2 PLACES	± .005	± .0001
1 PLACE	± .005	± .0001
ANGULAR ± 2°		
DRAFT WHERE APPLICABLE MUST REMAIN WITHIN DIMENSIONS		

DIMENSION STYLE		SCALE
MM/IN		DESIGN UNITS
DRAWN BY		TITLE
DATE		DATE
CHECKED BY		DATE
DATE		DATE
APPROVED BY		DATE
DATE		DATE
MATERIAL NO.		DOCUMENT NO.
SEE TABLE		SD-73415-595
SIZE		SHEET NO.
C		1 OF 1

THIRD ANGLE PROJECTION
MCX 75 JACK, PCB EDGEMOUNT, 75 OHMS EWR-3150, MCX75-J/PCB
MOLEX INCORPORATED
THIS DRAWING CONTAINS INFORMATION THAT IS PROPRIETARY TO MOLEX INCORPORATED AND SHOULD NOT BE USED WITHOUT WRITTEN PERMISSION