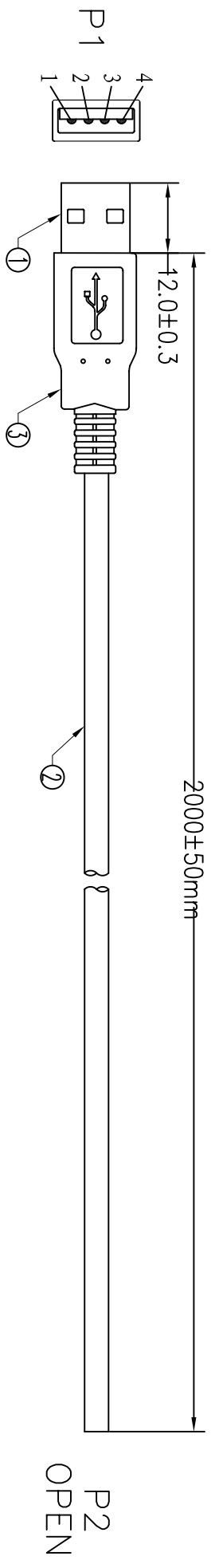
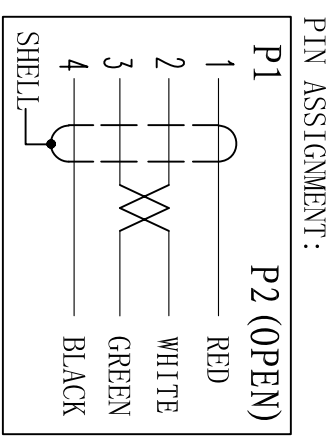
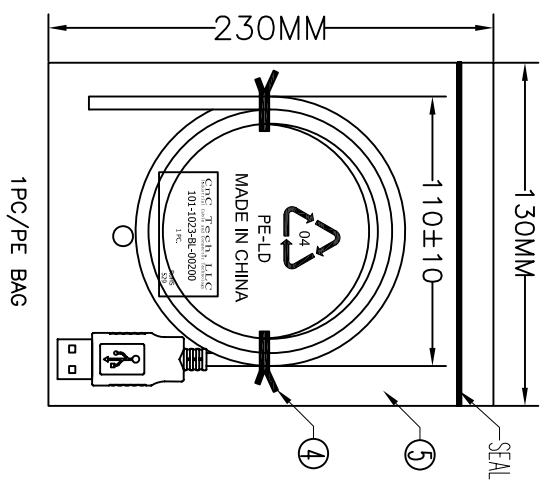


UNIT: mm



CABLE WHITE PRINT  
 USB CABLE E189529 **RU** AWM 2725 28AWG/1PR AND  
 24AWG/2C 80°C 30V VW-1

**Electrical test:**  
 1. 100% short open, miswire test  
 2. Conduct resistance: 2 Ohm(max)  
 3. Insulation resistance: 5Mohm(min)  
 4. dielectric test: DC 300V



⑥	PE BAG	1/10	CLEAR SIZE: 280*330*0.05mm PRINT BLACK"MADE IN CHINA"+ "10PCS".
⑤	PE BAG	1	CLEAR SIZE: 130*230*0.05mm PRINT BLACK"MADE IN CHINA"+ "1PC".
④	TIE	2	BLACK L=100mm
③	OUT JACKET	6g	BLACK PVC-40P (MOULD NO: WM-40)
②	CABLE	1	BLACK USB1.1 UL2725 28#/1P+24#/2C+AB 0D: 4.7mm L=2000±10
①	CONN	1	USB A MALE NICKEL PIN G/F 3PCS TYPE
NO.	NAME	Q'TY	SPECIFICATION

<b>CNC Tech, LLC</b> Industrial Cable and Connector Technology			
DRAWN	Andy	DRAWING NO	
CHECKED		CUSTOMER	
APPROVAL		ITEM NO.	101-1023-BL-00200
DECIDED		DATE	2013-8-23
VERSIONS/EDITION	A/0	PROJECTION	

4

3

2

1

A

B

C

D

A

B

C

D