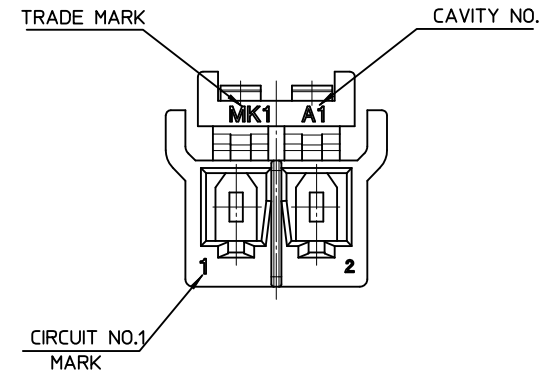
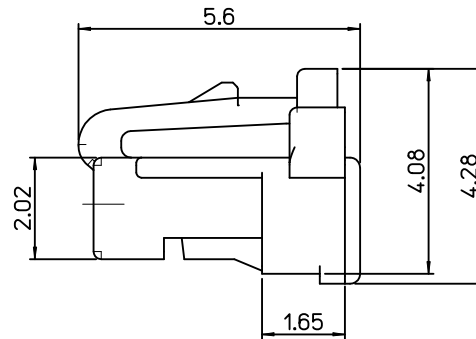
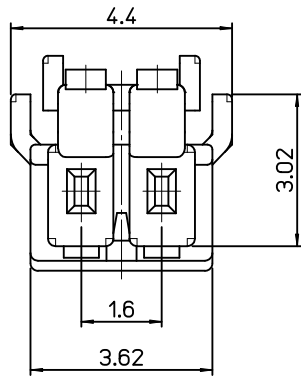
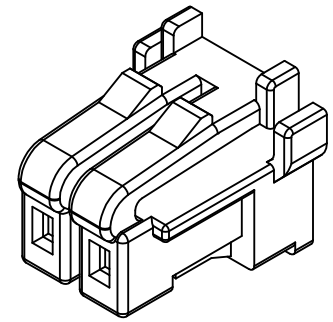


NOTES.

1. MATERIALS
LIQUID CRYSTAL POLYMER(LCP), GLASS FILLED, UL94V-0
COLOR OF NATURAL
2. MATED WITH : 104050-0210
3. APPLICABLE TERMINAL : 501334-****
4. PRODUCT SPECIFICATION : PS-104050-001



NEW RELEASED EC NO: KOR2010-0105 DRWN: HPARK01 CHKD: WY. YANG APPR: YUNSIKKIM	2010/10/14 2010/10/15 2010/10/15	QUALITY SYMBOLS ▽=0 ▽=0	GENERAL TOLERANCES (UNLESS SPECIFIED)		DIMENSION STYLE MM ONLY		SCALE	DESIGN UNITS	THIRD ANGLE PROJECTION	
			mm	INCH	DRAWN BY	DATE	TITLE	METRIC		
	4 PLACES		± ---	± ---	SK. HAN	2009/07/07	1.6 W-T-B CONN HOUSING-2P			
	3 PLACES		± ---	± ---	CHECKED BY	DATE				
2 PLACES	± 0.15	± ---	WY. YANG	2009/07/07	MOLEX INCORPORATED					
1 PLACE	± 0.25	± ---	APPROVED BY	DATE						
		ANGULAR ± 3 °	WY. YANG	2009/07/07	MATERIAL NO.	DOCUMENT NO.				
		DRAFT WHERE APPLICABLE MUST REMAIN WITHIN DIMENSIONS	1040510290		SD-104051-001		SHEET NO.			
			SIZE A3		THIS DRAWING CONTAINS INFORMATION THAT IS PROPRIETARY TO MOLEX INCORPORATED AND SHOULD NOT BE USED WITHOUT WRITTEN PERMISSION					