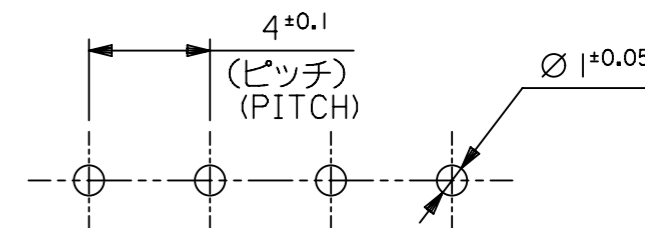


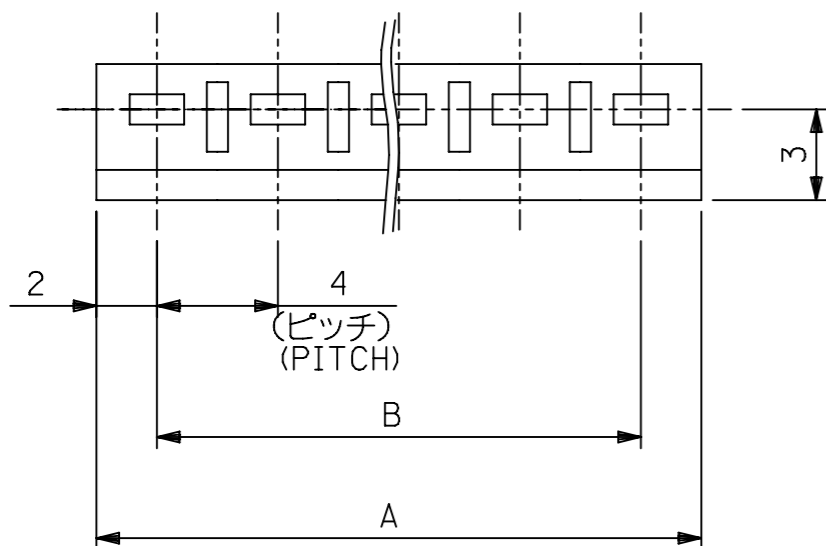
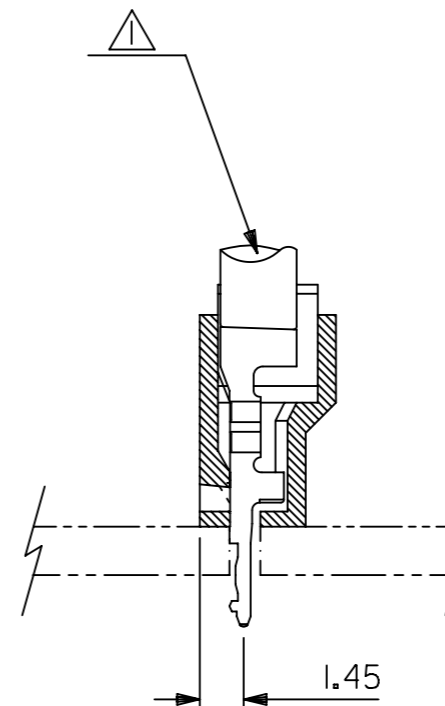
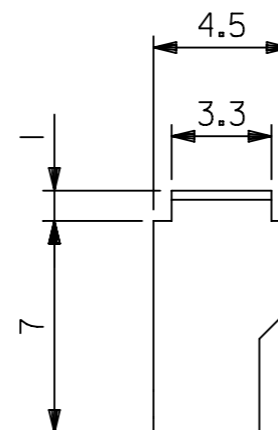
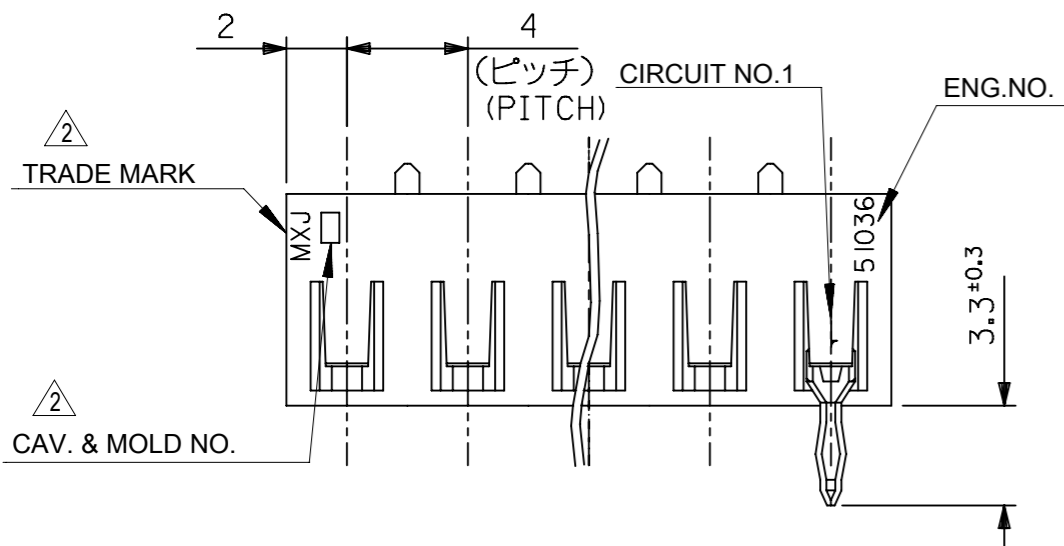
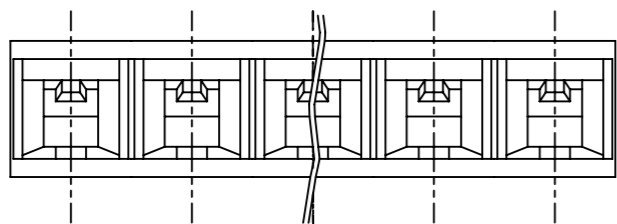
注記  
NOTE

- ① 適合ターミナル : 500978\*00  
APPLICABLE : 500978\*00
- ② トレ - ドマーク : MXJにて表示。  
キャビティー番号 : 1桁から2桁の数字にて表示。 金型番号 : アルファベット1文字にて表示。  
TRADE MARK IS FORMED BY MXJ.  
AND BY 1-2 DIGIT NUMBER (TO CAVITY NO.)  
AND BY 1 LETTER OD ALPHABET (TO MOLD NO.)
- ③ ELV及びRoHS適合品  
ELV AND RoHS COMPLIANT.

(公差非累積)  
(NON-ACCUMULATIVE)



基板取付穴推奨寸法(基板厚: 1.6mm)  
RECOMMENDED PC BOARD  
HOLE DIMENSION  
(THICKNESS: 1.6mm)



16	20	↑	0500	5
12	16	↓	0400	4
8	12	↓	0300	3
4	8		51036 0200	2
B	A		ENG.NO.	極数 CKT.

THIS DRAWING CONTAINS INFORMATION THAT IS PROPRIETARY TO MOLEX ELECTRONIC TECHNOLOGIES, LLC AND SHOULD NOT BE USED WITHOUT WRITTEN PERMISSION

DIMENSION UNITS	SCALE	CURRENT REV DESC: REMOVED OBSOLETE PART NUMBER AS PER PCN#510808.		
mm	4:1	<p><b>molex</b></p> <p>4.0 BOARD IN CONNECTOR HOUSING</p> <p>PRODUCT CUSTOMER DRAWING</p> <p>DOCUMENT NUMBER: SD-51036-001   DOC TYPE: PSD   DOC PART: 001   REVISION: H3</p> <p>MATERIAL NUMBER: SEE TABLE   CUSTOMER: GENERAL MARKET   SHEET NUMBER: 1 OF 1</p>		
GENERAL TOLERANCES (UNLESS SPECIFIED)				
4 PLACES	±			
3 PLACES	±			
2 PLACES	±			
1 PLACE	±	EC NO: 736640	2023/01/25	
0 PLACES	±	DRWN: LIKITV	2023/02/16	
ANGULAR TOL	± °	CHK'D: GGA	2023/02/16	
DRAFT WHERE APPLICABLE MUST REMAIN WITHIN DIMENSIONS		APPR: GGA		
THIRD ANGLE PROJECTION		INITIAL REVISION:		
		DRWN: KSAND	1996/06/30	
		APPR: MENOMOTO	1996/06/30	

材料 MATERIAL	POLYAMIDE,UL94V-0		
適用電線範囲 WIRE RANGE	AWG#22 ~ 18,AV0.5 ~ 0.85 AVS0.3 ~ 0.85		
被覆外径 INS. RANGE	Ø1.8 ~ 2.6		
GENERAL TOLERANCES (UNLESS SPECIFIED)			
10 <sup>UNDER</sup>	±0.2		
10 <sup>OVER</sup> 30 <sup>UNDER</sup>	±0.25		
30 <sup>OVER</sup>	±0.3		
ANGULAR	±3°		