

# Bus system connector - SACC-M12MSB-2SC SH PB - 1539198

Please be informed that the data shown in this PDF Document is generated from our Online Catalog. Please find the complete data in the user's documentation. Our General Terms of Use for Downloads are valid (<http://phoenixcontact.com/download>)



Bus system connector, 2-position, shielded, Plug straight M12, B-coded, Spring-cage connection, knurl material: Nickel-plated brass, external cable diameter 4 mm ... 8 mm



## Key Commercial Data

|              |               |
|--------------|---------------|
| Packing unit | 1 STK         |
| GTIN         |               |
| GTIN         | 4046356084246 |

## Technical data

### Dimensions

|   |               |
|---|---------------|
| Wrench size, union nut                  | 13 mm         |
| External diameter                       | 4 mm ... 8 mm |
| Stripping length of the sheath          | 33 mm         |
| Stripping length of the individual wire | 10 mm         |

### Ambient conditions

|                                 |                                  |
|---------------------------------|----------------------------------|
| Ambient temperature (operation) | -40 °C ... 85 °C (Plug / socket) |
| Degree of protection            | IP67                             |

### General

|                       |                               |
|-----------------------|-------------------------------|
| Rated current at 40°C | 4 A                           |
| Rated voltage         | 60 V DC                       |
|                       | 48 V AC                       |
| Number of positions   | 2                             |
| Insulation resistance | ≥ 100 MΩ                      |
| Coding                | B-coded                       |
| Standards/regulations | M12 connector IEC 61076-2-101 |
| Status display        | No                            |
| Overvoltage category  | II                            |

## Bus system connector - SACC-M12MSB-2SC SH PB - 1539198

### Technical data

#### General

|                             |  |
|-----------------------------|--|
| Degree of pollution         | 3  |
| Connection method           | Spring-cage connection   |
| Conductor cross section     | 0.14 mm <sup>2</sup> ... 0.5 mm <sup>2</sup>                       |
| Conductor cross section AWG | 26 ... 20  |
| Insertion/withdrawal cycles | ≥ 100  |
| Torque                      | 0.4 Nm (M12 knurl)   |
|                             | 0.8 Nm (Connector with coupling sleeve)                            |
|                             | 3 Nm (Pressure nut)  |
| Assembly instructions       | The wires can be connected both with ferrules and without ferrules |

#### Material

|  |                              |
|--|------------------------------|
| Flammability rating according to UL 94 | V0                           |
| Contact material                       | CuSn                         |
| Contact surface material               | Ni/Au                        |
| Contact carrier material               | PA 6.6                       |
| Material of grip body                  | Zinc die-cast, nickel-plated |
| Material, knurls                       | Nickel-plated brass          |
| Sealing material                       | NBR                          |

#### Cable

|                          |                               |
|--------------------------|-------------------------------|
| Standards/specifications | M12 connector IEC 61076-2-101 |
|--------------------------|-------------------------------|

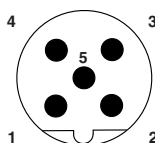
#### Standards and Regulations

|  |                 |
|--|-----------------|
| Standard designation                   | M12 connector   |
| Standards/regulations                  | IEC 61076-2-101 |
| Connection in acc. with standard       | CUL             |
| Flammability rating according to UL 94 | V0              |

### Drawings

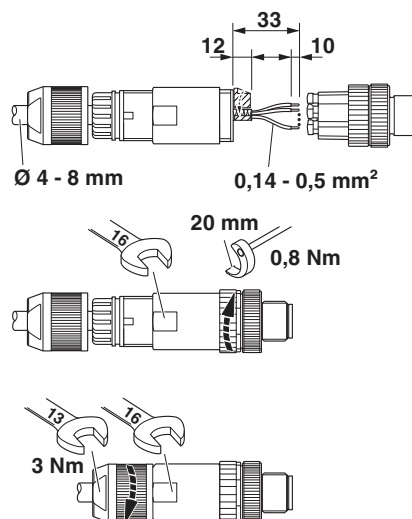
# Bus system connector - SACC-M12MSB-2SC SH PB - 1539198

Schematic diagram



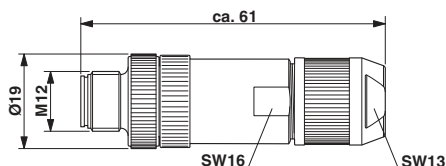
Pin assignment M12 male connector, 5-pos., B-coded, male side

Functional drawing



Slide the pressure nut and sleeve housing along the cable, strip the cable, shorten the shield, strip the single wires, connect the wires, in the case of a straight sleeve housing gently twist the wires together, stick the shielding foil around the shortened shield, in the case of a cable outside diameter < 6 mm stick an additional shielding foil around the wire pack, screw the sleeve housing to the plug insert, screw the pressure nut tight.

Dimensional drawing



Plug, M12 x 1, straight, shielded

## Approvals

Approvals

---

Approvals

UL Recognized / cUL Recognized / cULus Recognized

---


Ex Approvals


---


## Approval details

# Bus system connector - SACC-M12MSB-2SC SH PB - 1539198

## Approvals

|                    |   |   |               |
|--------------------|---|---|---------------|
| UL Recognized      |  | <a href="http://database.ul.com/cgi-bin/XYV/template/LISEXT/1FRAME/index.htm">http://database.ul.com/cgi-bin/XYV/template/LISEXT/1FRAME/index.htm</a> | FILE E 118976 |
|                    |   |   |               |
| Nominal current IN |   | 4 A   |               |
| Nominal voltage UN |   | 300 V   |               |

|                    |   |   |               |
|--------------------|---|---|---------------|
| cUL Recognized     |  | <a href="http://database.ul.com/cgi-bin/XYV/template/LISEXT/1FRAME/index.htm">http://database.ul.com/cgi-bin/XYV/template/LISEXT/1FRAME/index.htm</a> | FILE E 118976 |
|                    |   |   |               |
| Nominal current IN |   | 4 A   |               |
| Nominal voltage UN |   | 300 V   |               |

|                  |  |   |  |
|------------------|--|---|--|
| cULus Recognized |  | <a href="http://database.ul.com/cgi-bin/XYV/template/LISEXT/1FRAME/index.htm">http://database.ul.com/cgi-bin/XYV/template/LISEXT/1FRAME/index.htm</a> |  |
|------------------|--|---|--|

Phoenix Contact 2018 © - all rights reserved  
<http://www.phoenixcontact.com>

PHOENIX CONTACT GmbH & Co. KG  
Flachsmarktstr. 8  
32825 Blomberg  
Germany  
Tel. +49 5235 300  
Fax +49 5235 3 41200  
<http://www.phoenixcontact.com>