



ELECTRONICS & TECHNOLOGY, INC.

VectorPak™ Chassis / System Enclosures

VME / cPCI

Chassis



Model 710 Two Piece (Subrack, Enclosure) shown with 5 Slot backplane and lighted System Reset



Model 720 Removable Internal Subrack

Model 710: Subrack removes completely from enclosure

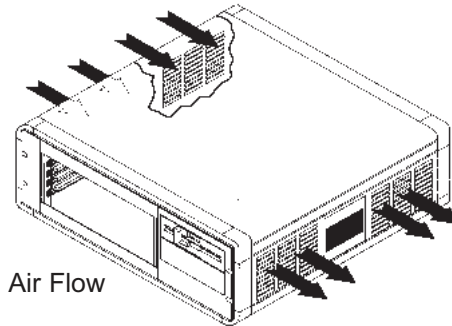


Series 710 / 720 6U Horizontal Cards

19.0" internal subrack slides in/out on metal tracks for maximum accessibility. Subrack assembly includes backplane, power supply and fans; it may be rack mounted separately (Model 720). Horizontal cards and space for up to three 3.5" drive bays. Two rear I/O ports, many power options (Page 9)



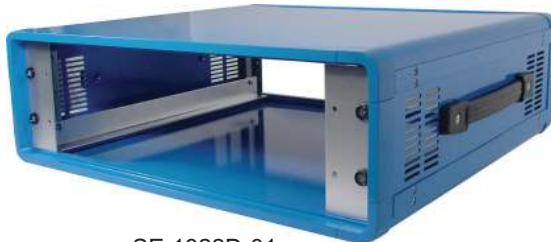
Rear View showing 2 slot rear I/O



Air Flow

Attractive & Extremely Rugged Benchtop/Desktop Outer Enclosures

VectorPak™ outer enclosures are available in many standard sizes and colors. They are designed to house standard 19"W or similar rack devices including VectorPak™ subracks and fan trays. They were developed for rugged military applications and are constructed of formed sheet and extruded aluminum. Protective rubber feet and rack mount hardware included. Recessed pocket or strap handles.



SE 1322D-01



SE 1588
4U for 8.4"W Subrack

SE 1322 3U x 21.80"D for 19"W Subrack

Rack Unit Part Number	Height		Width		Depth		Internal Size
	Inside Dim.	Outside Dim.	Inside Dim.	Outside Dim.	Inside Dim.	Outside Dim.	
SE132216	5.280"	6.410"	17.790"	20.220"	14.400"	16.060"	3U X 19" W X 14.4"D
SE1322	5.280"	6.410"	17.790"	20.220"	17.400"	19.060"	3U X 19" W X 17.4"D
SE1422	5.280"	6.410"	17.790"	20.220"	12.400"	14.060"	3U X 19" W X 12.4"D
SE1522	7.030"	8.160"	17.790"	20.220"	21.890"	23.550"	4U X 19" W X 21.9"D
SE162216	10.530"	11.660"	17.790"	20.220"	14.400"	16.060"	6U X 19" W X 14.4"D
SE1722	12.280"	13.410"	17.790"	20.220"	21.940"	23.600"	7U X 19" W X 21.9"D

