

TABLE 1

MOLEX P/N	ENG. NO.	CABLE LENGTH+TOL. (mm)	LED
1202470001	BEB401P-FBW-05	5000	YES
1202470002	BEB401P-FBW-10	10000	YES
1202470003	BEB401P-FBW-15	15000	YES
1202470004	BEB401P-FBW-20	20000	YES
1202470028	BEB4010-FBW-05	5000	NO
1202470029	BEB4010-FBW-10	10000	NO
1202470030	BEB4010-FBW-15	15000	NO

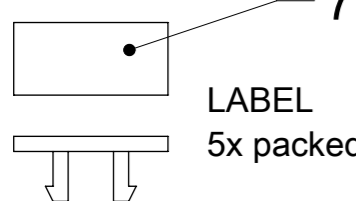
TABLE 3

CABLE LENGTH TOLERANCES	
LENGTH	TOLERANCE
0m-1m	+40 mm
>1m-5m	+60 mm
>5m-10m	+80 mm
>10m-20m	+140 mm
>20m-30m	+160 mm
>30m	+1% length

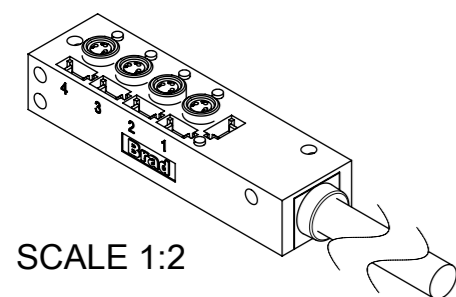
TABLE 2

ITEM	COMPONENT	MATERIAL	FINISH
1	INSERT	TPU	BLACK
2	CONTACT SOCKET	COPPER ALLOY	GOLD OVER NICKEL
3	O-RING	VITON	RED
4	RECEPTACLE SHELL	BRASS	NICKEL PLATED
5	HOUSING	PBT	BLACK
6	CABLE	TPU	BLACK
7	LABEL	ABS	WHITE
8	LABEL ADHESIVE	PE	WHITE
9	CABLE PLATE	PBT	BLACK
10	LED	NO LED = PA	BLACK
		WITH LED = PA	TRANSPARENT
11	RESIN	EPOXY	TRANSPARENT

SCALE 2:1



LABEL  
5x packed in a bag.

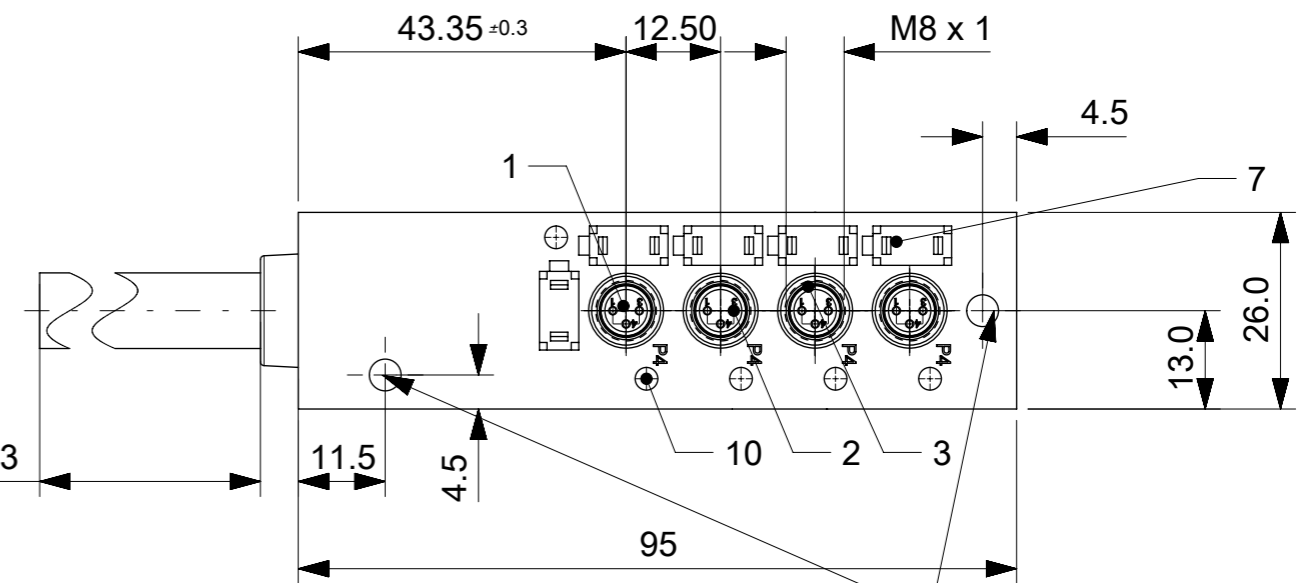


SCALE 1:2

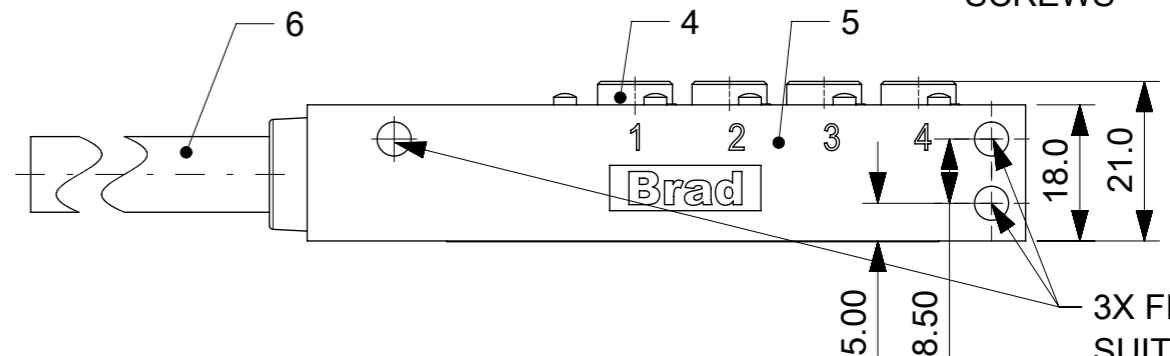
GENERAL CHARACTERISTICS:

NOMINAL VOLTAGE: 24 V DC  
 RATED CURRENT: 2 A PER PORT / 6 A MAX: TOTAL  
 IP DEGREE OF PROTECTION: IP 68  
 TEMPERATURE RANGE: -25°C to + 85°C

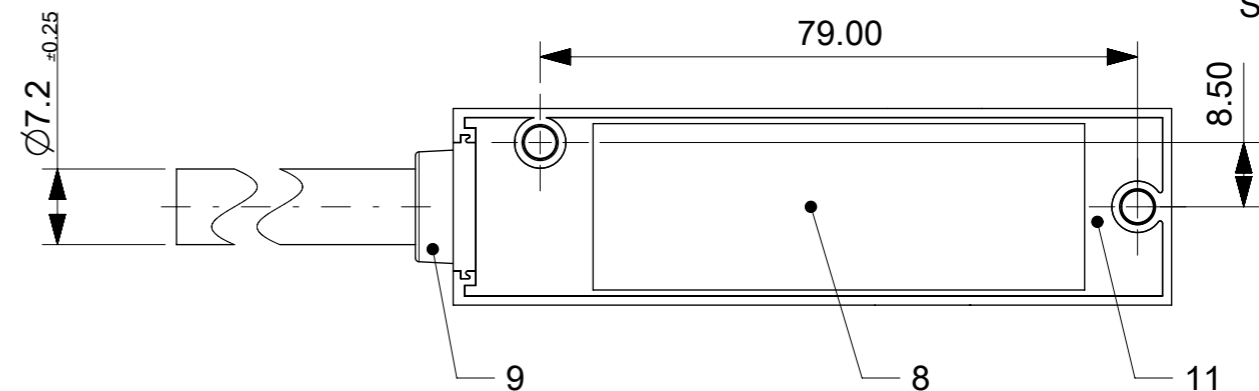
L= SEE TABLE 1+3



2X FIXING HOLES  
SUITABLE FOR M4  
SCREWS

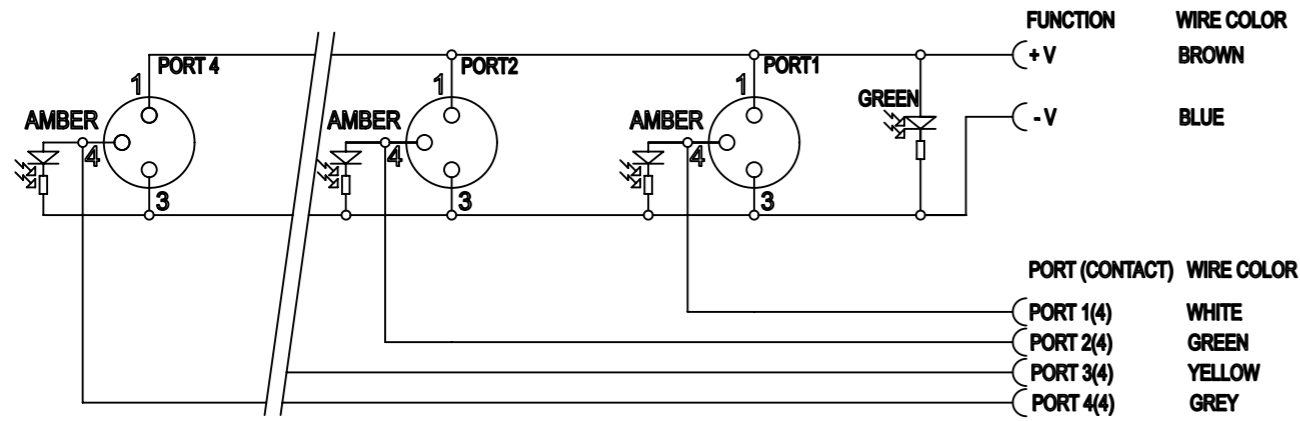


3X FIXING HOLES  
SUITABLE FOR M4  
SCREWS

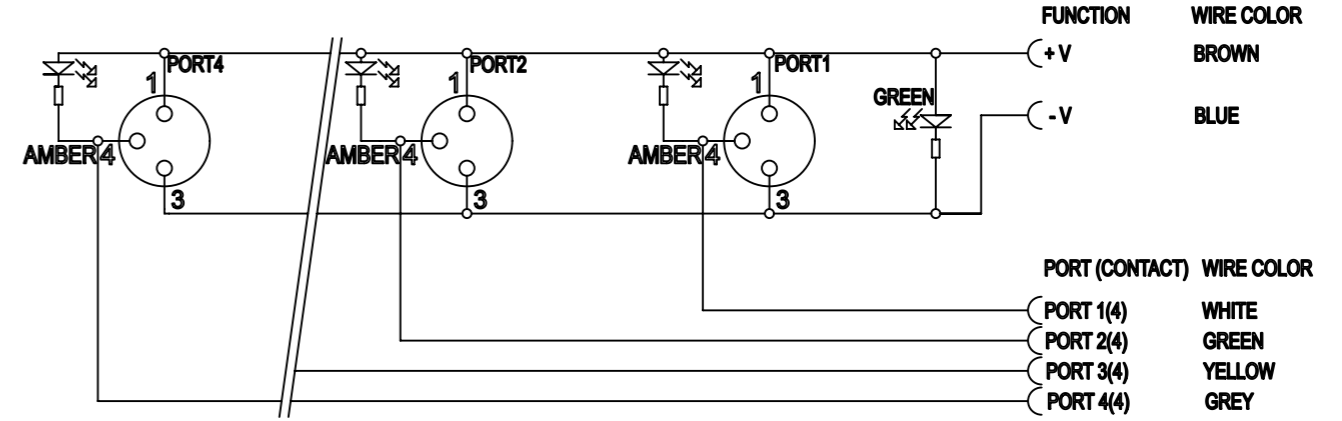


SYMBOLS	THIS DRAWING CONTAINS INFORMATION THAT IS PROPRIETARY TO MOLEX ELECTRONIC TECHNOLOGIES, LLC AND SHOULD NOT BE USED WITHOUT WRITTEN PERMISSION	CURRENT REV DESC: CABLE LENGTH TOLERANCES ADDED		<b>molex</b>						
	DIMENSION UNITS							SCALE	MPIS M8 PNP NPN NOS 3P 4PT BK XM SINGLE	
	mm	1:1	PRODUCT CUSTOMER DRAWING			DOCUMENT NUMBER		DOC TYPE	DOC PART	REVISION
GENERAL TOLERANCES (UNLESS SPECIFIED)		EC NO: 631956		DRWN: RSCHIEBER		2020/02/11		1202470001		
ANGULAR TOL ± °		DRWN: RSCHIEBER		CHK'D: RSILLER		2020/02/12		PSD 000 B1		
4 PLACES ±		APPR: RSILLER		2020/02/12		INITIAL REVISION:		SEE TABLE 1		
3 PLACES ±		DRWN: ULETENMEIER		2015/01/20		SERIES		GENERAL MARKET		
2 PLACES ± 0.2		APPR: RSILLER		2015/04/22		DRAWING		1 OF 2		
1 PLACE ± 0.3		THIRD ANGLE PROJECTION		DRAWING		SERIES		120247		
0 PLACES ± 0.5		DRAFT WHERE APPLICABLE MUST REMAIN WITHIN DIMENSIONS		A3-SIZE		MATERIAL NUMBER		CUSTOMER		

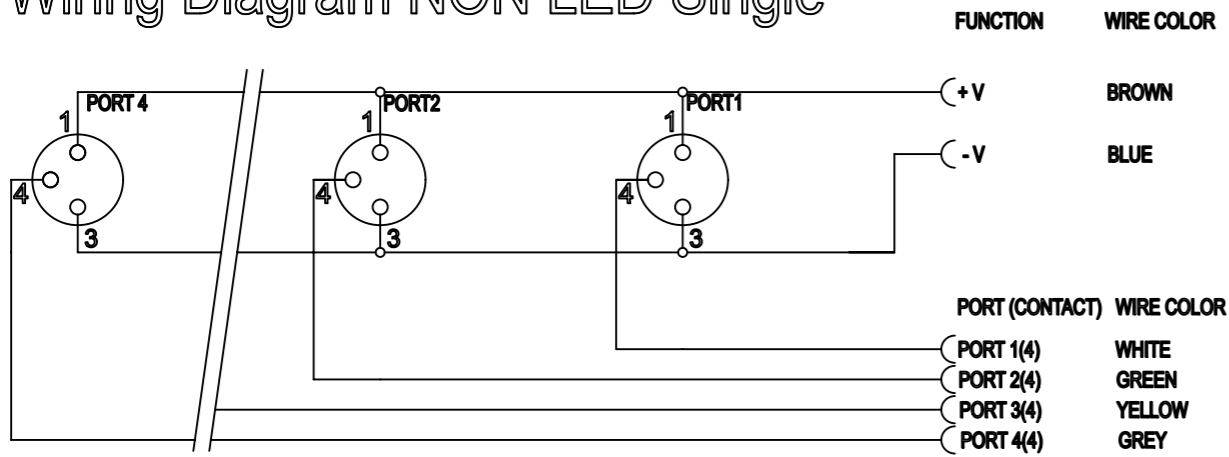
# Wiring Diagram PNP Single



# Wiring Diagram NPN Single



# Wiring Diagram NON LED Single



<b>SYMBOLS</b> DIMENSION UNITS: mm SCALE: 1:1 GENERAL TOLERANCES (UNLESS SPECIFIED): ANGULAR TOL ± ° 4 PLACES ± 3 PLACES ± 2 PLACES ± 0.2 1 PLACE ± 0.3 0 PLACES ± 0.5 DRAFT WHERE APPLICABLE MUST REMAIN WITHIN DIMENSIONS THIRD ANGLE PROJECTION DRAWING: A3-SIZE SERIES: 120247	THIS DRAWING CONTAINS INFORMATION THAT IS PROPRIETARY TO MOLEX ELECTRONIC TECHNOLOGIES, LLC AND SHOULD NOT BE USED WITHOUT WRITTEN PERMISSION CURRENT REV DESC: CABLE LENGTH TOLERANCES ADDED		<b>molex</b> MPIS M8 PNP NPN NOS 3P 4PT BK XM SINGLE			
	EC NO: 631956 DRWN: RSCHIEBER 2020/02/11 CHK'D: RSILLER 2020/02/12 APPR: RSILLER 2020/02/12					PRODUCT CUSTOMER DRAWING
	INITIAL REVISION: DRWN: ULETTENMEIER 2015/01/20 APPR: RSILLER 2015/04/22		DOCUMENT NUMBER: 1202470001	DOC TYPE: PSD	DOC PART: 000	REVISION: B1
	MATERIAL NUMBER: SEE TABLE 1 CUSTOMER: GENERAL MARKET		SHEET NUMBER: 2 OF 2			