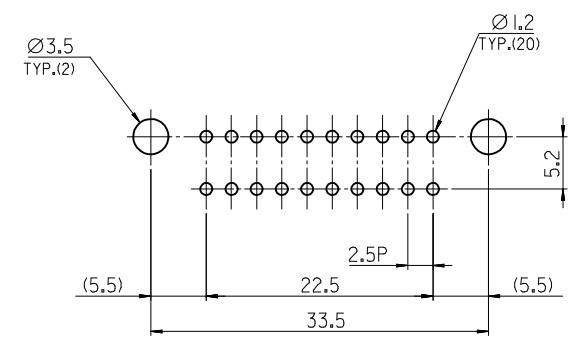


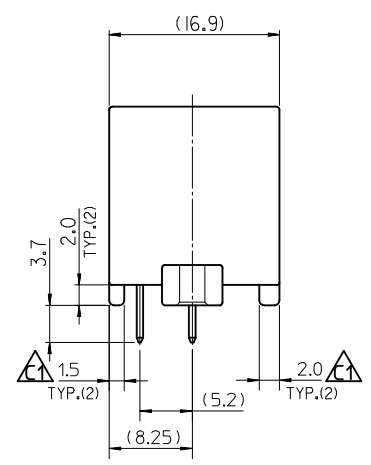
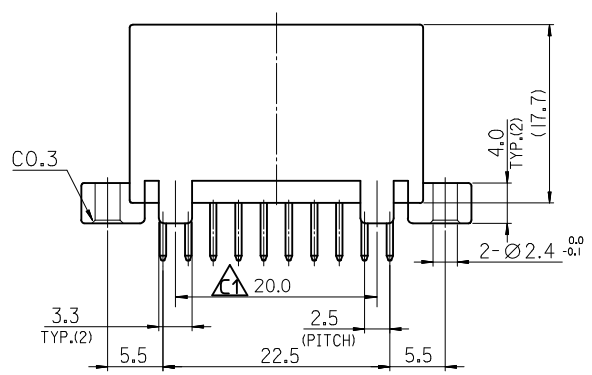
SECT.A-A



RECOMMENDED P.C.B HOLE DIMENSION (MOUNT SIDE)

NOTES

- 1.APPLICABLE FEMALE HOUSING : 35564-2015
- 2.APPLICABLE FEMALE TERMINAL : 50654-1001,50655-1068
50655-1031
- 3.MATERIAL:HOUSING-POLYESTER (PBT)
TERMINAL-BRASS, FINISH-TIN PLATING



<TABLE 1>

MATERIAL NO.	ORDER NO.	COLOR
681512015	68151-2015	GRAY
681512016	68151-2016	WHITE

REVISED DIMENSION EC NO: KTR2016-0047 DRWN:JLEE06 2016/01/29 CHKD:BCY00N 2016/01/29 APPR:JYCH01 2016/02/25	QUALITY SYMBOLS	GENERAL TOLERANCES (UNLESS SPECIFIED)	DIMENSION STYLE	SCALE	DESIGN UNITS	TITLE 040 WIRE TO BOARD CONNECTOR 20P HEADER ASSY (VTL) MOLEX INCORPORATED DOCUMENT NO. SD-68151-001 SHEET NO. 1 OF 1	
	DESCRIPTION	mm INCH	MM ONLY	METRIC	THIRD ANGLE PROJECTION		
	REV	4 PLACES ± --- ± --- 3 PLACES ± --- ± --- 2 PLACES ± 0.20 ± --- 1 PLACE ± 0.30 ± --- ANGULAR ± 1 °	DRAWN BY: YSIKKIM CHECKED BY: BKCH01 APPROVED BY: CWLEE	DATE: 1999/05/12			
		DRAFT WHERE APPLICABLE MUST REMAIN WITHIN DIMENSIONS	MATERIAL NO. SEE TABLE 1	DATE: 1999/05/12			