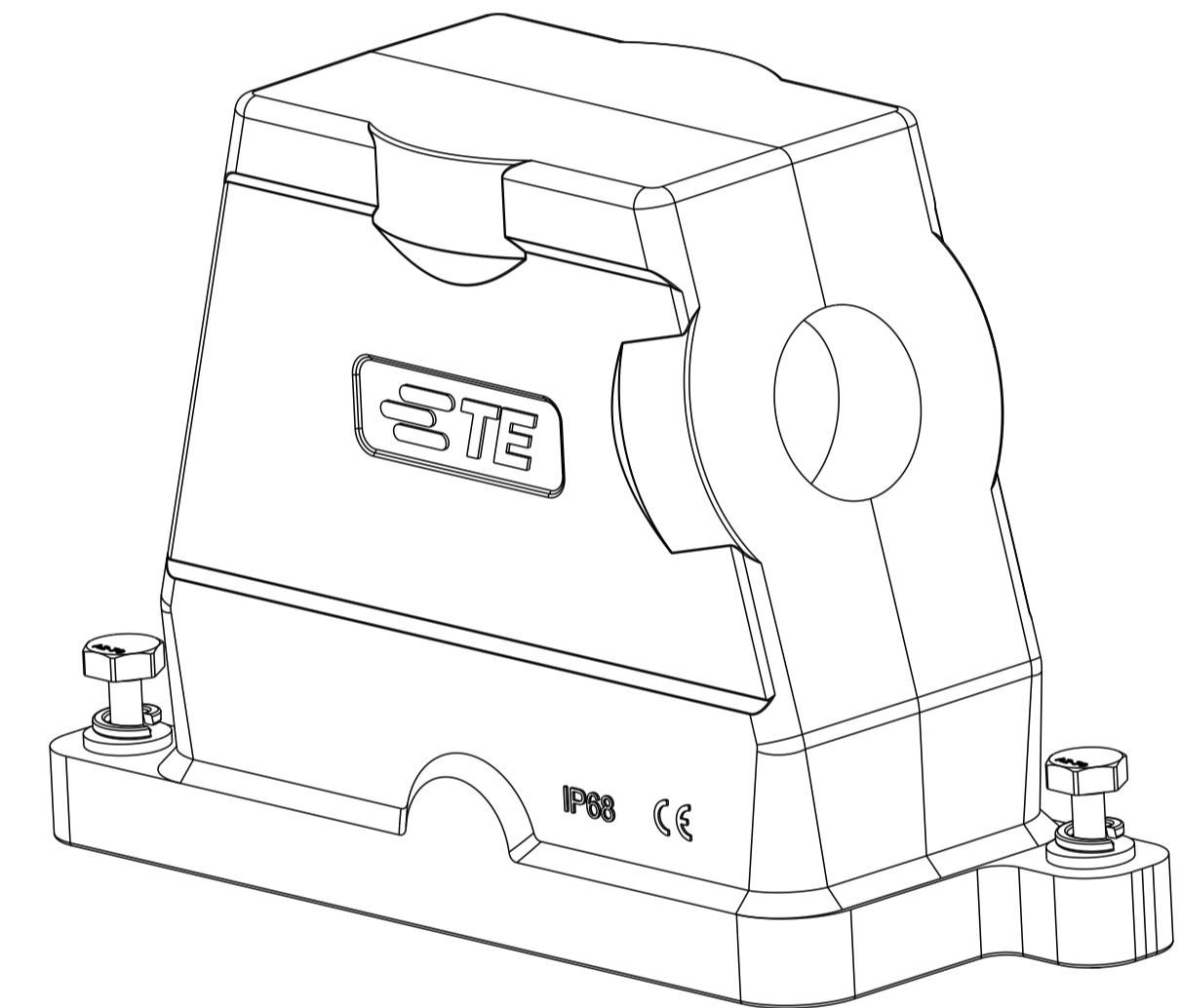
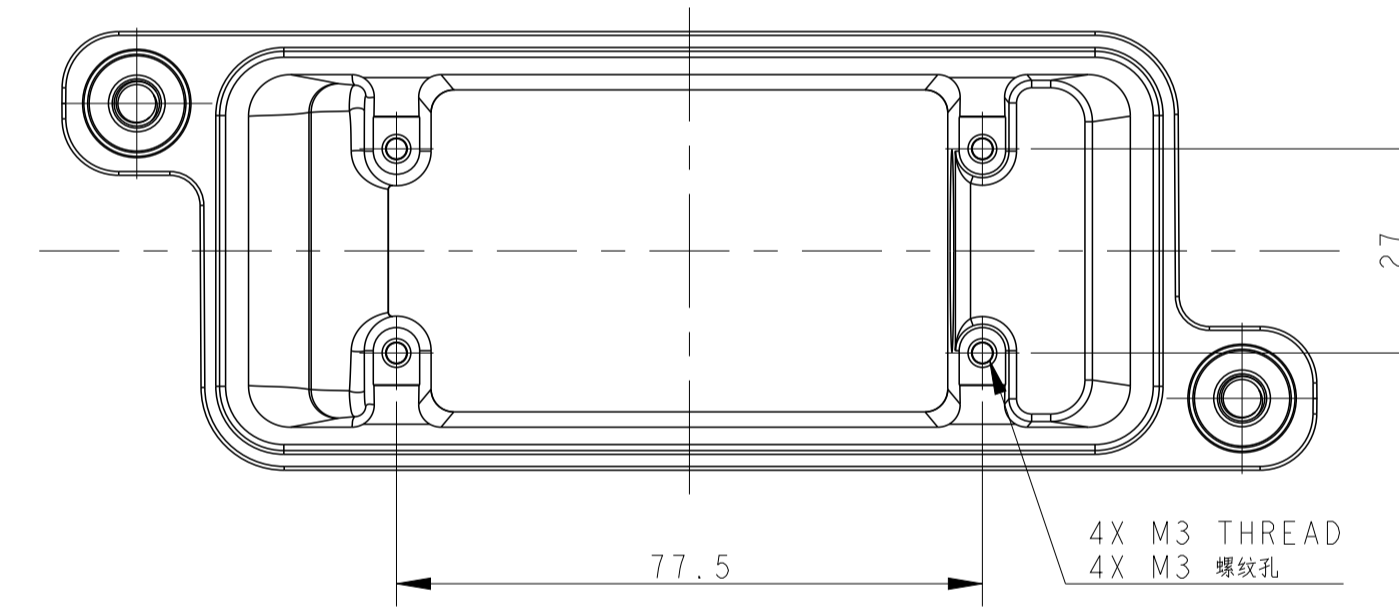
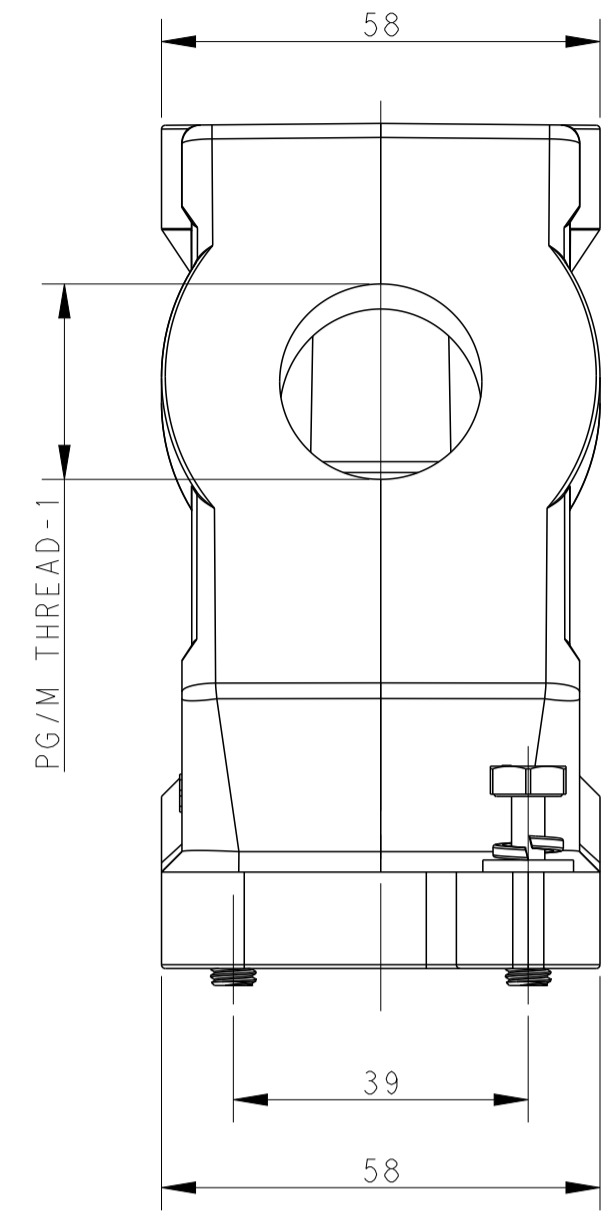
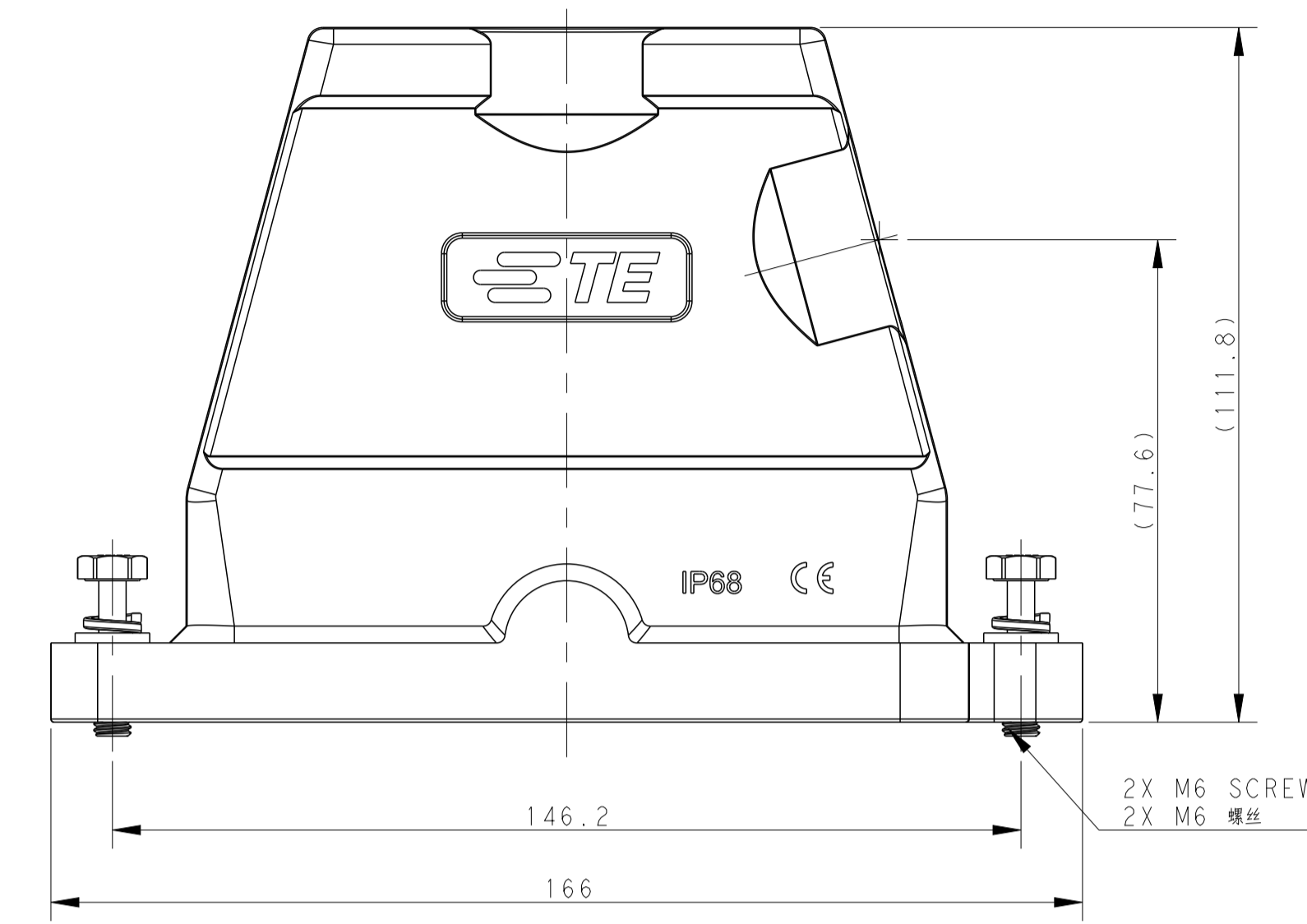


REVISIONS				
P	LTN	DESCRIPTION	DATE	APVD
A		INITIAL RELEASE	02SEP2016	DW CW
B		ECR-20-016312	03JUN2021	BS CW
B1		ECR-22-129750	17FEB2022	BS CW



NOTES:
 1. TECHNICAL CHARACTERISTICS:
 HOOD MATERIAL: DIE CAST ALUMINIUM ALLOY
 SURFACE: SEE TABLE
 DEGREE OF PROTECTION: IP68 (MATED)

注释:
 1. 技术参数:
 壳体材料: 铝合金
 表面处理: 见表格
 防护等级: IP68 (配合)

PART NUMBER 料号	DESCRIPTION 描述	PG/M THREAD-1 PG/M 螺纹-1
T1910161140-009	H16BPR-TSH-M40-EMC-C H16BPR HOOD, DIAGONAL LOCKING, SIDE ENTRY M40, POWDER COATED, SILVER WHITE H16BPR对角锁定侧出上壳M40 银白色	M40
T1910161136-009	H16BPR-TSH-PG36-EMC-C H16BPR HOOD, DIAGONAL LOCKING, SIDE ENTRY PG36, POWDER COATED, SILVER WHITE H16BPR对角锁定侧出上壳PG36 银白色	PG36
T1910161132-009	H16BPR-TSH-M32-EMC-C H16BPR HOOD, DIAGONAL LOCKING, SIDE ENTRY M32, POWDER COATED, SILVER WHITE H16BPR对角锁定侧出上壳M32 银白色	M32
T1910161129-009	H16BPR-TSH-PG29-EMC-C H16BPR HOOD, DIAGONAL LOCKING, SIDE ENTRY PG29, POWDER COATED, SILVER WHITE H16BPR对角锁定侧出上壳PG29 银白色	PG29
T1910161125-009	H16BPR-TSH-M25-EMC-C H16BPR HOOD, DIAGONAL LOCKING, SIDE ENTRY M25, POWDER COATED, SILVER WHITE H16BPR对角锁定侧出上壳M25 银白色	M25
T1910161121-009	H16BPR-TSH-PG21-EMC-C H16BPR HOOD, DIAGONAL LOCKING, SIDE ENTRY PG21, POWDER COATED, SILVER WHITE H16BPR对角锁定侧出上壳PG21 银白色	PG21
T1910160140-009	H16BPR-TSH-M40-EMC-C H16BPR HOOD, DIAGONAL LOCKING, SIDE ENTRY M40, POWDER COATED, BLACK H16BPR对角锁定侧出上壳M40 黑色	M40
T1910160136-009	H16BPR-TSH-PG36-EMC-C H16BPR HOOD, DIAGONAL LOCKING, SIDE ENTRY PG36, POWDER COATED, BLACK H16BPR对角锁定侧出上壳PG36 黑色	PG36
T1910160132-009	H16BPR-TSH-M32-EMC-C H16BPR HOOD, DIAGONAL LOCKING, SIDE ENTRY M32, POWDER COATED, BLACK H16BPR对角锁定侧出上壳M32 黑色	M32
T1910160129-009	H16BPR-TSH-PG29-EMC-C H16BPR HOOD, DIAGONAL LOCKING, SIDE ENTRY PG29, POWDER COATED, BLACK H16BPR对角锁定侧出上壳PG29 黑色	PG29
T1910160125-009	H16BPR-TSH-M25-EMC-C H16BPR HOOD, DIAGONAL LOCKING, SIDE ENTRY M25, POWDER COATED, BLACK H16BPR对角锁定侧出上壳M25 黑色	M25
T1910160121-009	H16BPR-TSH-PG21-EMC-C H16BPR HOOD, DIAGONAL LOCKING, SIDE ENTRY PG21, POWDER COATED, BLACK H16BPR对角锁定侧出上壳PG21 黑色	PG21

THIS DRAWING IS A CONTROLLED DOCUMENT.

DIMENSIONS: mm 	TOLERANCES UNLESS OTHERWISE SPECIFIED: 0 PLC ± 2 PLC ± 3 PLC ± 4 PLC ± ANGLES ± FINISH	DWN DAVID WANG 02SEP2016 CHK CHRIS WANG 02SEP2016 APVD XIANG YU 02SEP2016 PRODUCT SPEC 108-137191 APPLICATION SPEC 114-137191 WEIGHT CUSTOMER DRAWING	NAME H16BPR-TSH-PG/M-EMC-C SIZE A1 CAGE CODE DRAWING NO. T191016XXXXX09 RESTRICTED TO SCALE 1:1 SHEET 1 OF 1 REV B1
-----------------------	--	---	--