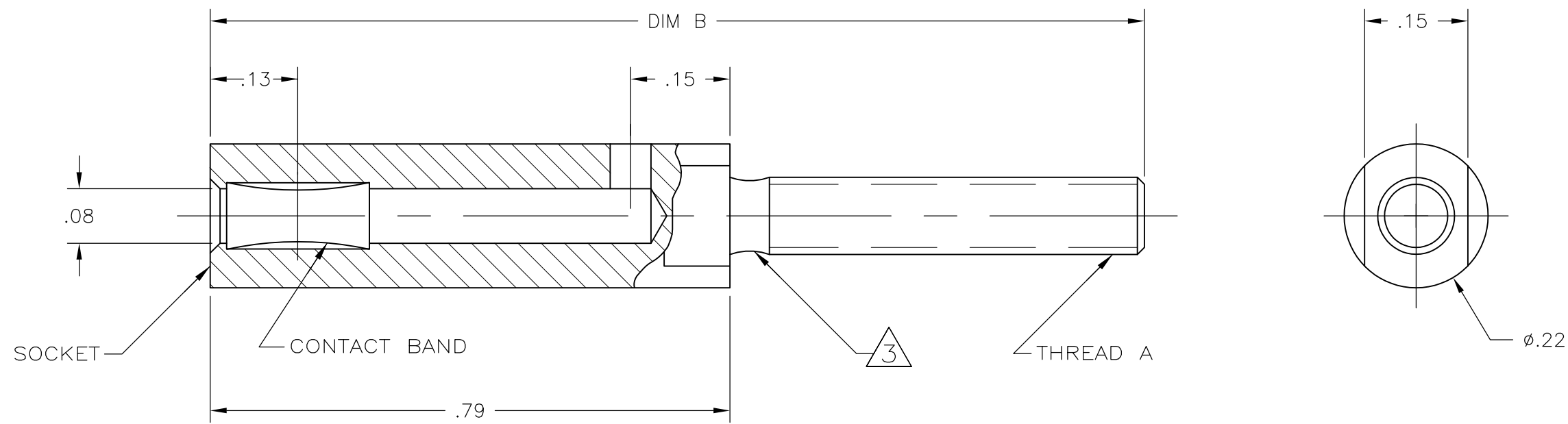


THIS DRAWING IS UNPUBLISHED. RELEASED FOR PUBLICATION  
 © COPYRIGHT BY TYCO ELECTRONICS CORPORATION. ALL RIGHTS RESERVED.

| LOC | DIST | REVISIONS   |                           |         |        |
|-----|------|-------------|---------------------------|---------|--------|
| P   | LTR  | DESCRIPTION | DATE                      | DWN     | APVD   |
| FT  | 0    | B           | REVISED PER 0G3B-0536-02  | 1/17/03 | SS GS  |
|     |      | B1          | REVISED PER ECO-09-023929 | 16OCT09 | KK AEG |

- NOTES:
- 1 FINISH-SILVER PLATE SEMI-BRIGHT 200-400u INCHES THICK, OVER NICKEL.
  - 2 FINISH GOLD PLATE 20-30u INCHES THICK, OVER NICKEL.
  - 3. WIRE RACK PLATING MARKS PERMISSIBLE IN THREAD RELIEF. WHEN THREAD RELIEF IS ABSENT, FIRST FULL THREAD TO BE .050 FROM SHOULDER.
  - 4 PRELIMINARY PART NUMBER.
  - 5 OBSOLETE PARTS: OBSOLETE CIS STREAMLINING PER D.RENAUD/D.SINISI



|          |       |                   |                  |       |          |
|----------|-------|-------------------|------------------|-------|----------|
| 4        | 1.11  | 1,3               | M3 X 0.5-6g      | --    | 192059-4 |
| 5        | 1.42  | 1,3               | 5 (.124)-40NC-2A | --    | 192059-3 |
| OBSOLETE | 1.42  | 2                 | 5 (.124)-40NC-2A | 10924 | 192059-2 |
|          | 1.42  | 1,3               | M3 X 0.5-6g      | 09014 | 192059-1 |
|          | DIM B | FINISH (NOTE NO.) | THREAD A         | WAS   | PART NO. |

|  |  |                               |  |            |
|--|--|-------------------------------|--|------------|
| THIS DRAWING IS A CONTROLLED DOCUMENT. |  | DWN 03-13-92 D. WILSON        | Tyco Electronics Corporation<br>Harrisburg, PA 17105 |            |
| DIMENSIONS: INCHES                     |  | CHK 04-01-92 R. JAYNE         | SOCKET ASSY, 2mm                                     |            |
| TOLERANCES UNLESS OTHERWISE SPECIFIED: |  | APVD -                        | NAME -   |            |
| 0 PLC ± -                              |  | PRODUCT SPEC -                | SIZE   |            |
| 1 PLC ± -                              |  | APPLICATION SPEC -            | CAGE CODE  | DRAWING NO |
| 2 PLC ± .02                            |  | WEIGHT -                      | A3 00779   | G-192059   |
| 3 PLC ± .010                           |  | RESTRICTED TO -               |  |            |
| 4 PLC ± -                              |  | SCALE 5:1 SHEET 1 OF 1 REV B1 |  |            |
| ANGLES ± -                             |  | CUSTOMER DRAWING              |  |            |
| FINISH 1 2                             |  |                               |  |            |