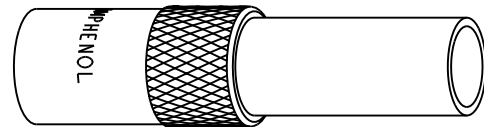


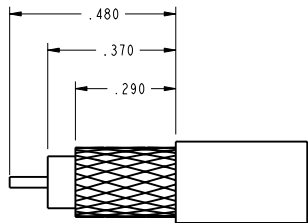
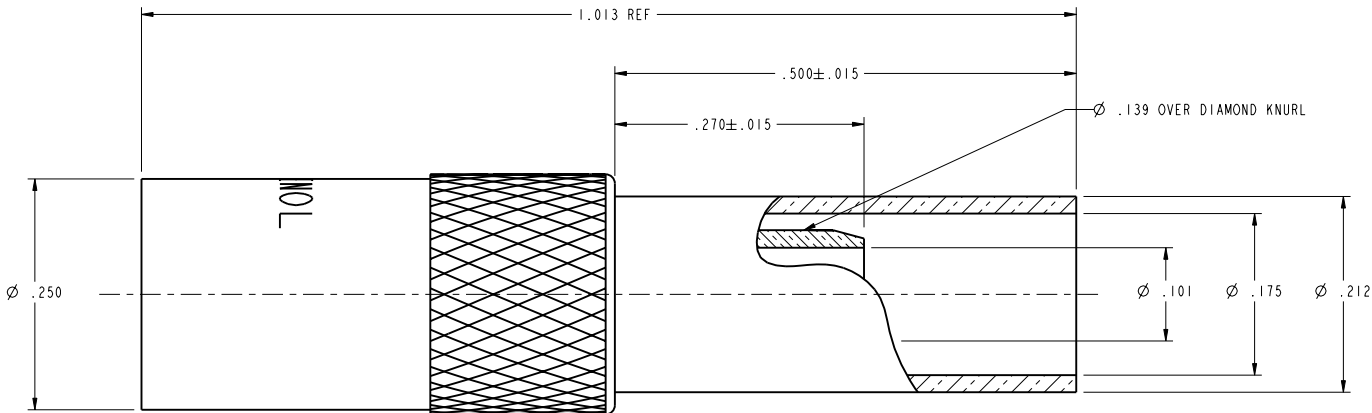
NOTES:

1. MATERIALS AND FINISHES:
 BODY & OUTER CONTACT - BRASS, NICKEL PLATING (.000100 THICK)
 CONTACT - BeCu, GOLD PLATING (.000030 THICK)
 INSULATOR - PTFE
 FERRULE - ANNEALED COPPER, NICKEL PLATING (.000100 THICK)
2. ELECTRICAL:
 A. IMPEDANCE: 75 OHM
 B. FREQUENCY RANGE: DC - 4 GHz
 C. VSWR: 1.25 + .04f GHz
 D. DIELECTRIC WITHSTANDING VOLTAGE: 1000 VRMS, MIN.
3. MECHANICAL:
 A. DURABILITY: 500 CYCLES MIN.
 B. TEMPERATURE RANGE: -65° C TO +165° C
4. PACKAGING:
 A. QUANTITY: SINGLE PACK
 B. MARKING: BAG TO BE MARKED
 "AMPHENOL, 903-598P-71S, DATE CODE & WORK ORDER NUMBER"
5. FOR CRIMPING USE TOOL 227-944, CRIMP DIE 227-1221-09 CAVITY "A" (.178 HEX).

903-598P-71S		REVISIONS			
DRAWING NO.	REV	DESCRIPTION	DATE	ECO	APPR
THIRD ANGLE PROJ.	A	RELEASE TO MFG.	4/5/01	43729	CPM



SCALE 4.000



RECOMMENDED CABLE
 STRIPPING DIMENSIONS
 SCALE 3.000

CUSTOMER OUTLINE DRAWING
 ALL OTHER SHEETS ARE FOR INTERNAL USE ONLY

UNLESS OTHERWISE SPECIFIED, DIMENSIONS ARE IN INCHES AND TOLERANCES ARE: 2 PLACE DECIMAL $\pm .015$ (0,381 mm) 3 PLACE DECIMAL $\pm .005$ (0,127 mm) ANGLES $\pm 1^\circ$	MATERIAL	DRAWN C. McGRATH	DATE 27-Mar-01	TITLE SMB 75 OHM PLUG FOR AT&T 735A CABLE		Amphenol Amphenol Corporation Communication and Network Products Division Danbury, CT U.S.A. 06810
		ENGINEER P. BRENZEL	DATE 27-Mar-01			
NOTICE - These drawings, specifications, or other data (1) are, and remain the property of Amphenol Corp. (2) must be returned upon request; and (3) are confidential and not to be disclosed to any person other than those to whom they are given by Amphenol Corp. The furnishing of these drawings, specifications, or other data by Amphenol Corp., or to any other person to anyone for any purpose is not to be regarded by implication or otherwise in any manner licensing, granting rights or permitting such holder or any other person to manufacture, use or sell any product, process or design, patented or otherwise, that may in any way be related to or disclosed by said drawings, specifications, or other data.	REFERENCE EAR 102-967570-0 & #160 GEN# ASSYM15.SMB 615X-1596-100	APPROVED O. BARTHELMES	DATE 4/4/01	CODE ID 74868	DWG SIZE B	DRAWING NO. 903-598P-71S
		CAD FILE I:\SMB\903-598P-71S		SCALE: 8.0:1	SHEET 2 OF 2	REV A