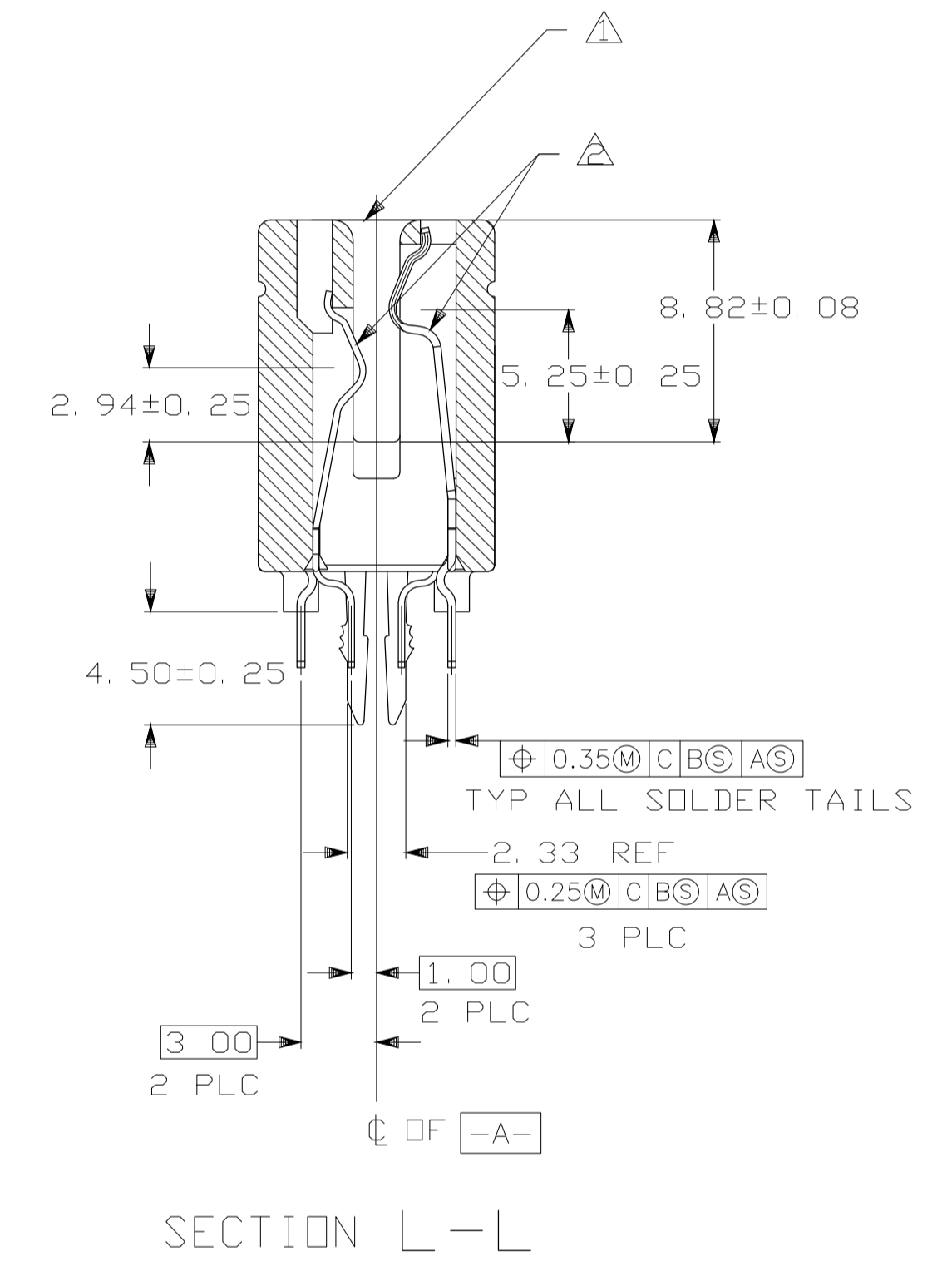
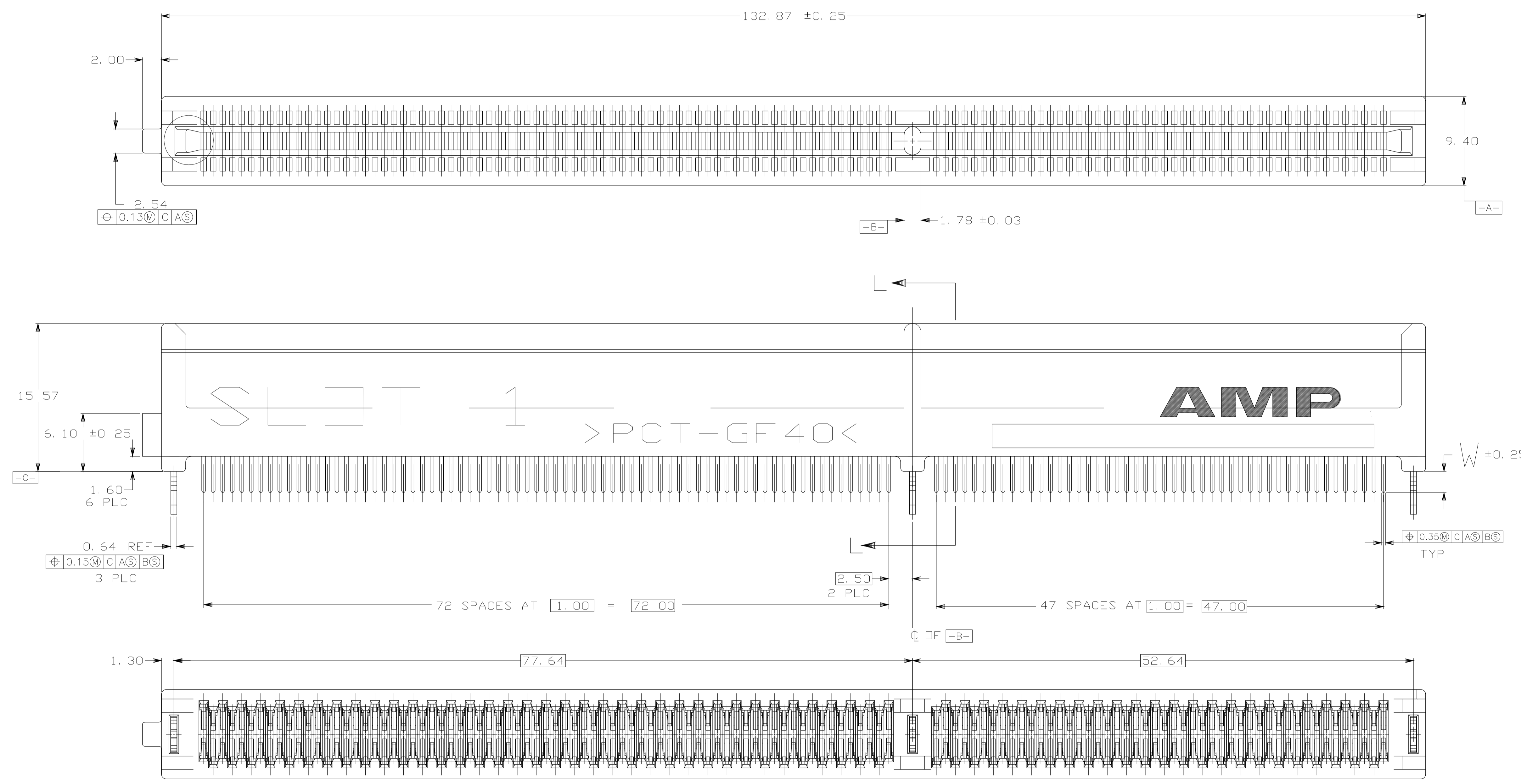


LOC		DIST		REVISIONS			
P	LTR	DESCRIPTION	DATE	DMN	APVD		
0		REVISED PER FB00-0246-04	21OCT04	L.Z	I.E		
01		REVISED PER ECO-10-000444	19JAN10	KK	HMR		

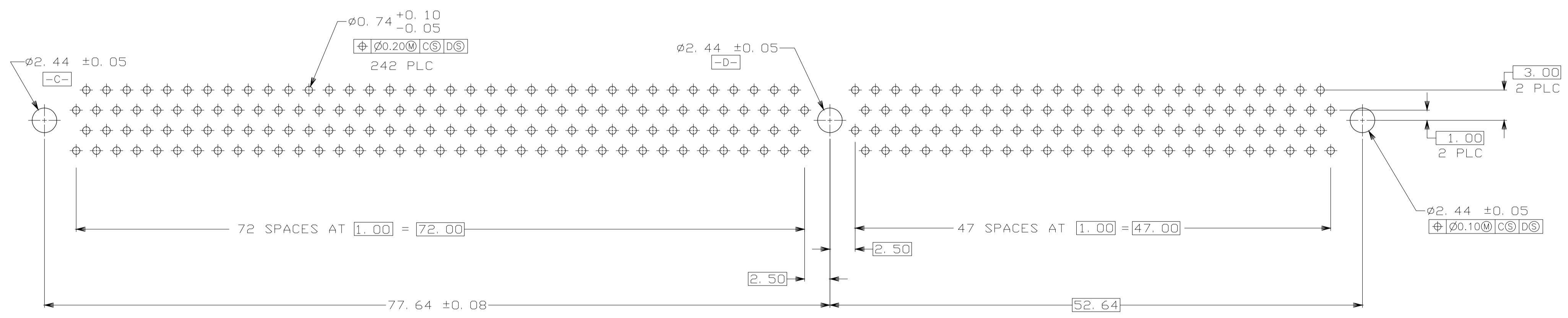
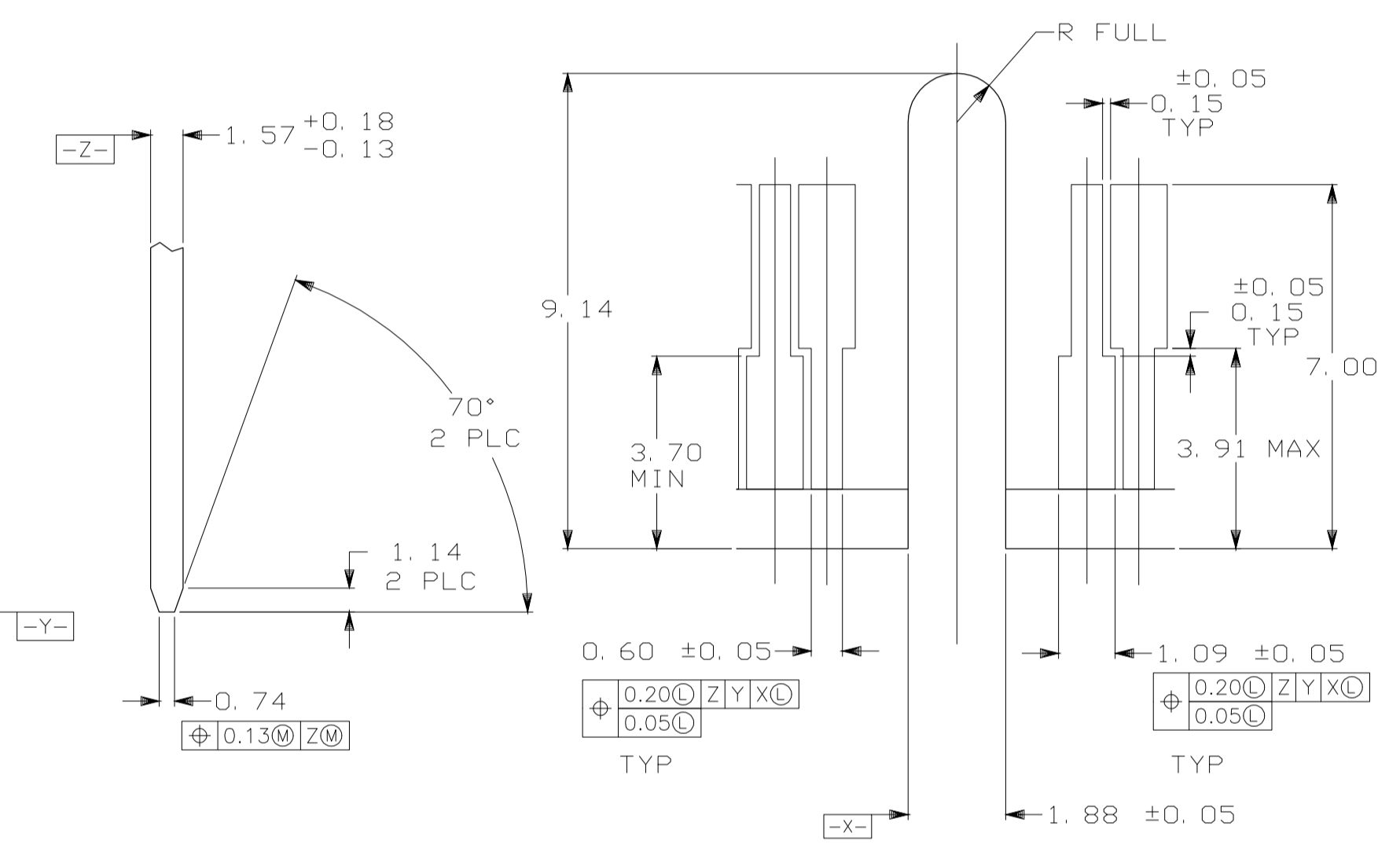
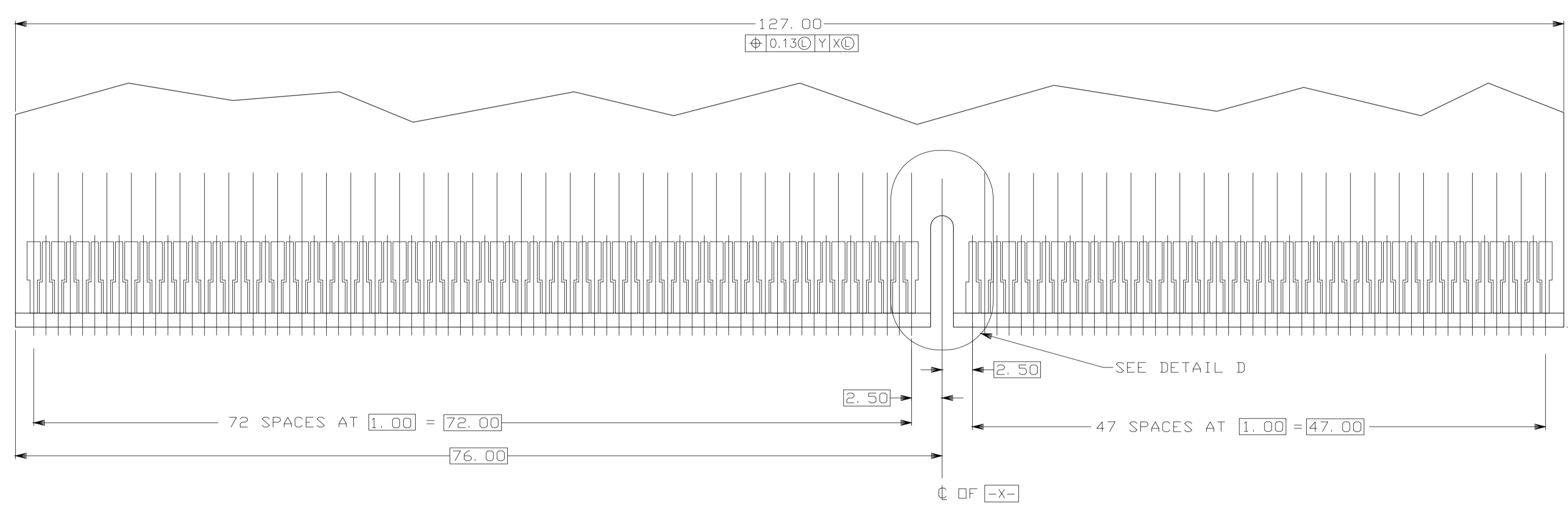
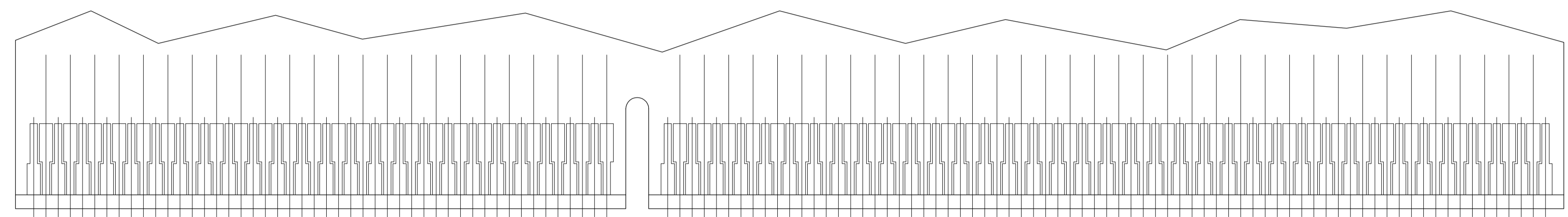


- △ MATERIAL: HOUSING, THERMOPLASTIC, COLOR: BROWN.
 CONTACTS, PHOSPHOR BRONZE.
 HOLD-DOWNS, BRASS.
- △ FINISH: CONTACTS, 1.27 MIN. MICROMETERS NICKEL ALL OVER,
 0.38 MIN. MICROMETERS GOLD OVER NICKEL IN CONTACT AREA,
- △ FINISH: 2.54 MIN MICROMETERS TIN OVER NICKEL ON SOLDER TAILS.
- △ FINISH: CONTACTS, 1.27 MIN. MICROMETERS NICKEL ALL OVER,
 0.0254-0.0762 MICROMETERS GOLD OVER NICKEL IN CONTACT AREA.
- △ OBSOLETE PARTS: OBSOLETE CIS STREAMLINING PER D. RENAUD/D. SINISI

LEAD FREE

QTY	DESCRIPTION	DATE	REV	BY
3.18	5145251-6			
2.54	5145251-5			
3.18	5145251-3			
2.54	5145251-2			
2.16	5145251-1			
	PLATING	W		PART NO

THIS DRAWING IS A CONTROLLED DOCUMENT.		DWG: LEO ZHOU 21OCT2004	Tyco Electronics Corporation	
DIMENSIONS: mm		CHK: STEVEN YAO 21OCT2004	SH/CN GuiPingRD 668#	
TOLERANCES UNLESS OTHERWISE SPECIFIED:		APVD: IENOMOTO 21OCT2004	NAME: AMP, 1mm CENTERLINE STANDARD EDGE ASSEMBLY 242 POSITION	
0 PLC ± -	1 PLC ± -	SIZE: A1		
2 PLC ± 0.13	3 PLC ± -	CAGE CODE: 00779		
4 PLC ± -	ANGLES ± -	DRAWING NO: 5145251		
MATERIAL: -		RESTRICTED TO: -		
FINISH: -		RESTRICTED CUSTOMER: -		
		SCALE: 1:1	SHEET: 1 OF 2	REV: 01



LEAD FREE

THIS DRAWING IS A CONTROLLED DOCUMENT.		DIN	21OCT2004	Tyco Electronics Corporation
		LEO ZHOU	21OCT2004	
		CHK	21OCT2004	SH/CN GuiPingRD 668#
		APVD	20OCT2004	
		NAME	AMP, 1mm CENTERLINE STANDARD EDGE ASSEMBLY 242 POSITION	
		PRODUCT SPEC		
		APPLICATION SPEC		
		SIZE	CAGE CODE	DRAWING NO
		WEIGHT	A1 00779	C=5145251
		CUSTOMER DRAWING	SCALE 1:1	SHEET 2 OF 2 REV 01