



PROPOSAL DRAWING

NOTES :

1. MATERIAL :

- 1.1 HOUSING : THERMOPLASTIC(LCP), HIGH TEMP., UL94V-0; COLOR : BLACK.
- 1.2 I/M : THERMOPLASTIC(LCP), HIGH TEMP., UL94V-0; COLOR : BLACK.
- 1.3 BASE : THERMOPLASTIC(LCP), HIGH TEMP., UL94V-0; COLOR : BLACK.
- 1.4 FRAME : THERMOPLASTIC(LCP), HIGH TEMP., UL94V-0; COLOR : BLACK.
- 1.5 CONTACT : COPPER ALLOY
- 1.6 SHELL : STAINLESS

2. FINISH :

- 2.1 CONTACT : SEE ORDER INFORMATION.
- SOLDER : MATTE TIN PLATING 100u"MIN.
- UNDERPLATING : 50"MIN. NICKEL OVERALL.

- 2.2 SHELL : 50u" MIN. NICKEL UNDERPLATED OVERALL.

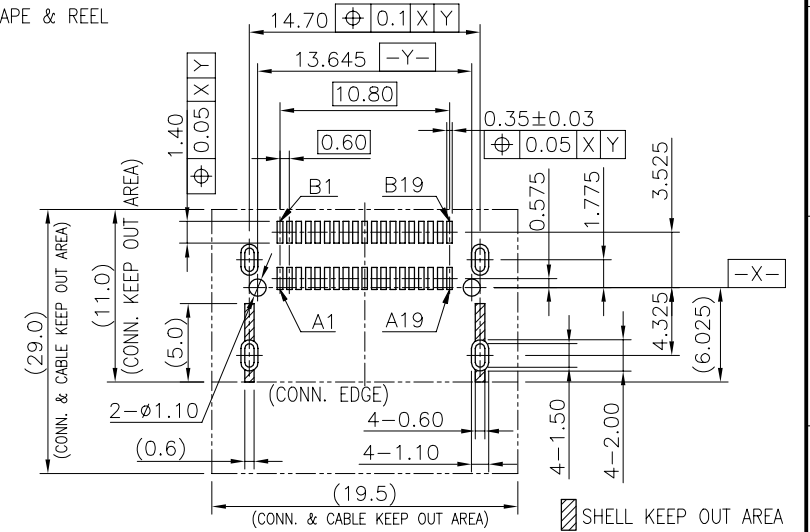
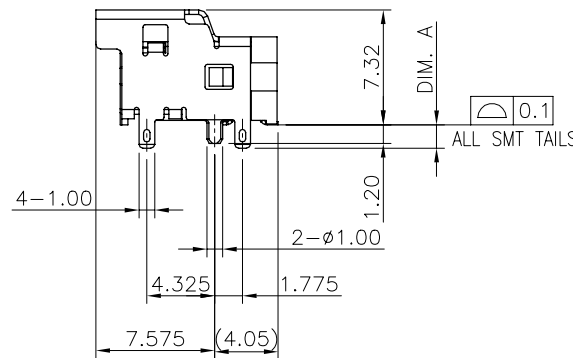
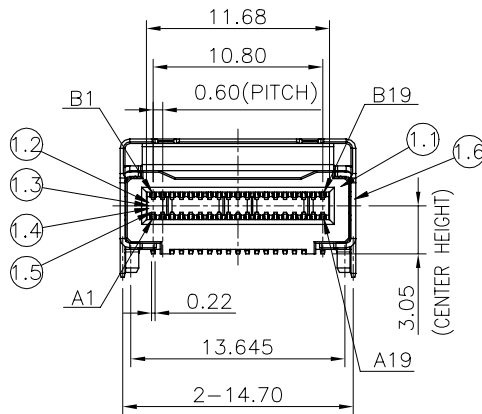
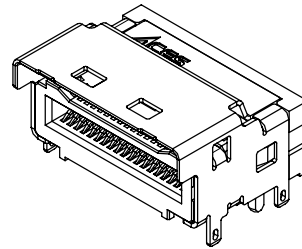
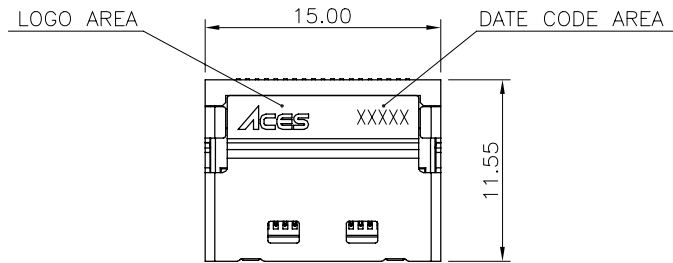
3. REFLOW SOLDER CAPABLE TO 260°C

PER ACES SPEC.

4. SPEC. PLS. REFER TO PS-52729-XXXX-XXX

5. PART NUMBER :

CKTS	52730-XXX X X-0 X X	SHELL PIN LENGTH OPTION
038: 38P(4X+SIDE BAND OR 6X)		CONNECTOR SPEED (DIM. A)
074: 74P(8X+SIDE BAND OR 12X)		1: PCIE GEN 4
050: 50P(6X+SIDE BAND OR 8X)		2: PCIE GEN 5
124: 124P(16X+SIDE BAND OR 20X)		3: 3.00mm
148: 148P(20X+SIDE BAND OR 24X)		4: 4.20mm
PLATING		5: 1.20mm
C: 15u" GOLD PLATING		
D: 30u" GOLD PLATING		
PACKING		
0: TAPE & REEL		



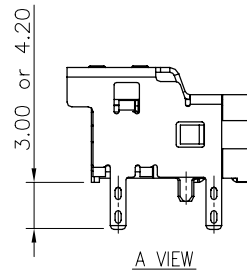
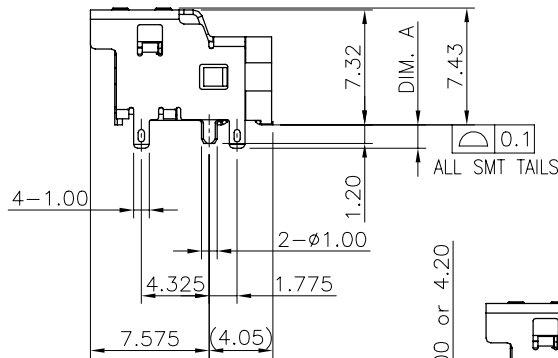
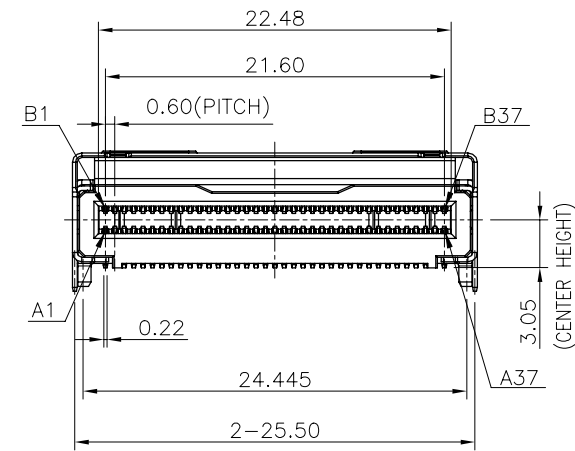
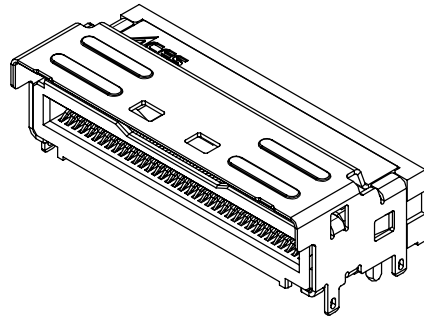
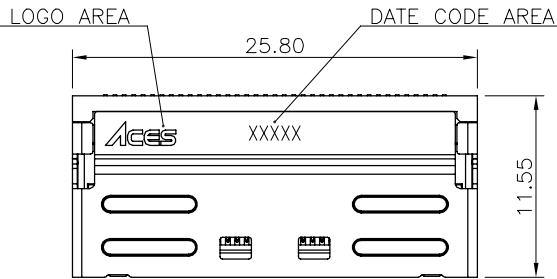
RECOMMENDED PCB LAYOUT(TOP VIEW)  
(GENERAL TOLERANCES : ±0.05)

QUALITY SYMBOLS	DRAWN BY	DATE	<b>ACES</b> ELECTRONICS
MAJOR Ⓢ	Huang, Kuo Hua	22'06/13	
CRITICAL Ⓢ	CHECKED BY	DATE	TITLE
GENERAL TOLERANCES (UNLESS SPECIFIED)	Chen, Chun Yuan	22'06/13	
X. ±0.5	APPROVED BY	DATE	SIZE
.X ±0.25	Wang, Chun Sheng	22'06/13	RFO NO.
.XX ±0.15	UNITS		A4
.XXX ±0.1	mm		N/A
ANGLES ±2°	SCALE	SHEET NO.	REV
	2 : 1	1 OF 5	DWG NO.
			52730-XXXX-XXX

38 POS.

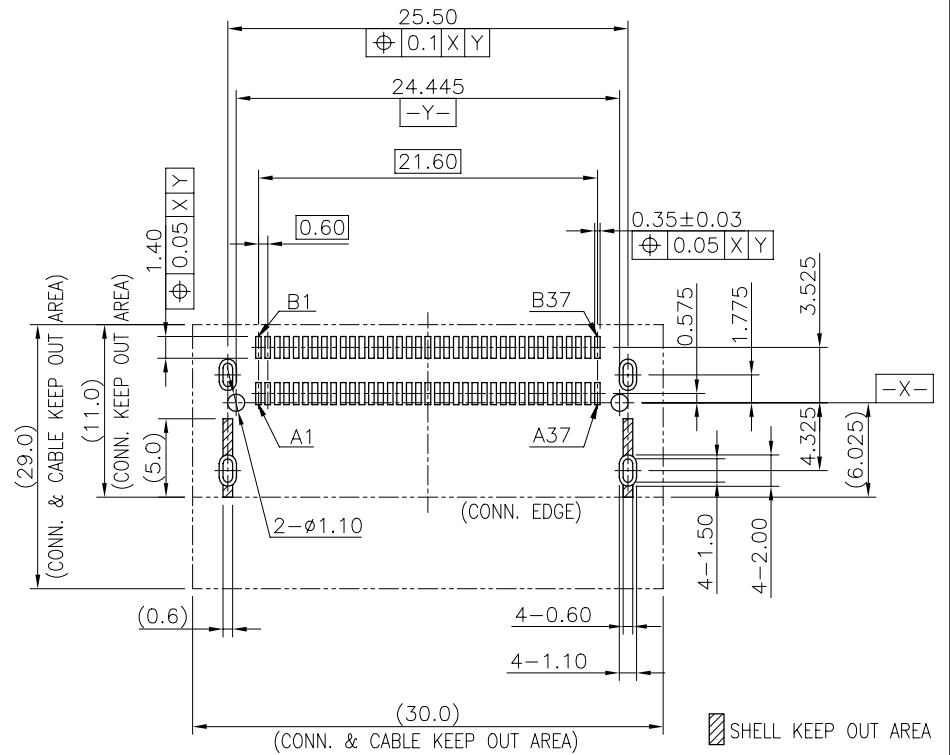


PROPOSAL DRAWING



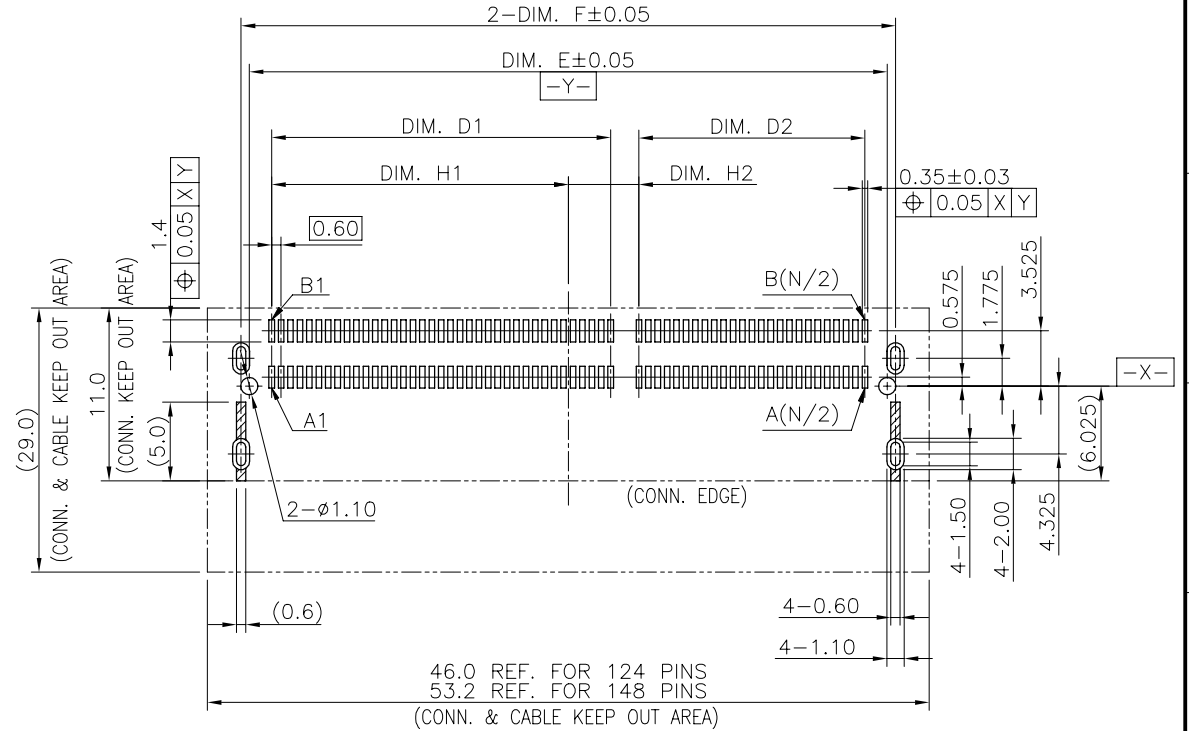
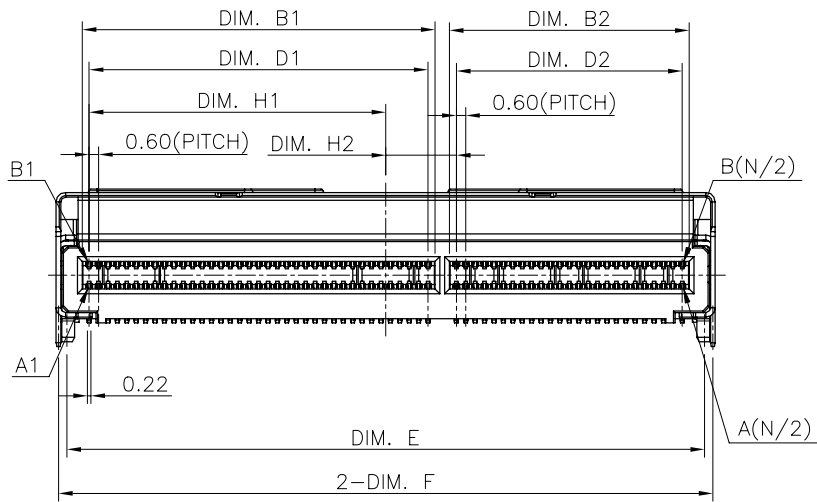
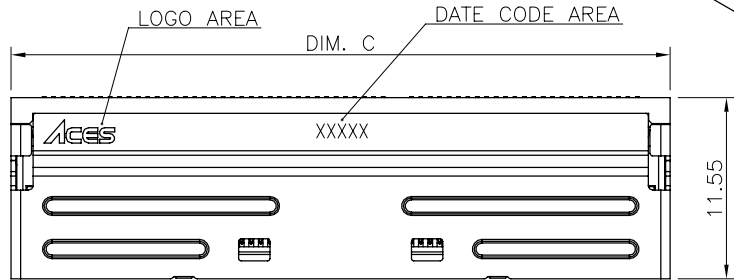
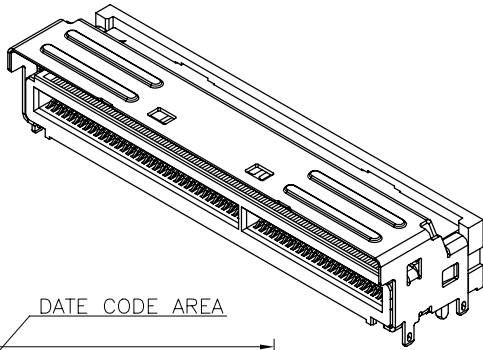
SHELL PIN LENGTH  
3.00mm OR 4.20mm

74 POS.



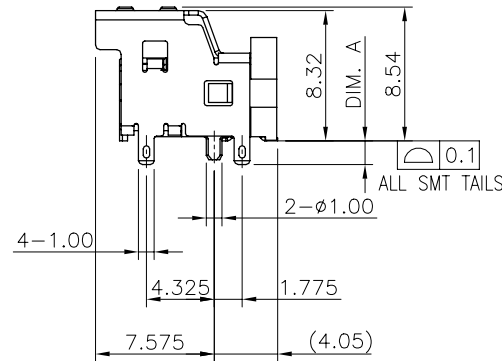
RECOMMENDED PCB LAYOUT(TOP VIEW)  
(GENERAL TOLERANCES : ±0.05)

QUALITY SYMBOLS	DRAWN BY	DATE		
MAJOR	Huang, Kuo Hua	22'/06/13		
CRITICAL	CHECKED BY	DATE	<b>ACES ELECTRONICS</b> MINI COOL EDGE 10 INTEGRATED CONNECTOR RIGHT ANGLE, 0.6 PITCH FOR PCIE, SMT TYPE	
GENERAL TOLERANCES (UNLESS SPECIFIED)	Chen, Chun Yuan	22'/06/13		
X. ±0.5	APPROVED BY	DATE	SIZE	RFQ NO.
.X ±0.25	Wang, Chun Sheng	22'/06/13	A4	N/A
.XX ±0.15	UNITS		mm	
.XXX ±0.1	SCALE		2 : 1	
ANGLES ±2°	SHEET NO.		2 OF 5	REV
	DWG NO.			52730-XXXXX-XXX



46.0 REF. FOR 124 PINS  
53.2 REF. FOR 148 PINS  
(CONN. & CABLE KEEP OUT AREA)

☒ SHELL KEEP OUT AREA



QUALITY SYMBOLS  
MAJOR Ⓢ  
CRITICAL Ⓢ  
GENERAL TOLERANCES (UNLESS SPECIFIED)  
X. ±0.5  
.X ±0.25  
.XX ±0.15  
.XXX ±0.1  
ANGLES ±2°

DRAWN BY  
**Huang, Kuo Hua** 22'/06/13  
CHECKED BY  
**Chen, Chun Yuan** 22'/06/13  
APPROVED BY  
**Wang, Chun Sheng** 22'/06/13  
UNITS  
mm  
SCALE  
2 : 1

DATE  
22'/06/13  
DATE  
22'/06/13  
DATE  
22'/06/13  
TITLE  
**ACES ELECTRONICS**  
MINI COOL EDGE 10 INTEGRATED CONNECTOR RIGHT ANGLE, 0.6 PITCH FOR PCIE, SMT TYPE  
SIZE  
A4  
RFQ NO.  
N/A  
SHEET NO.  
3 OF 5  
REV  
-  
DWG NO.  
52730-XXXX-XXX

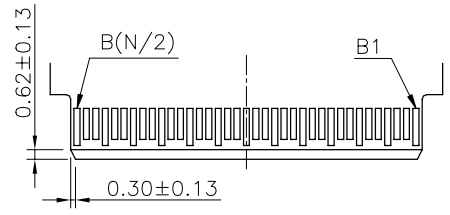
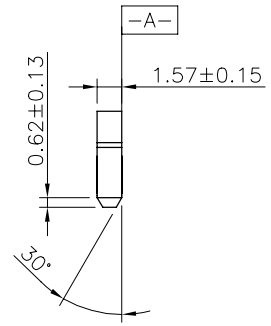
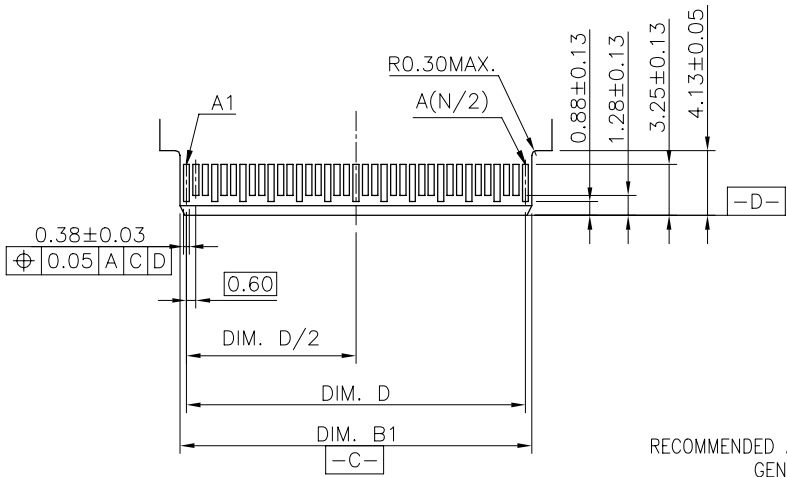
PART NUMBER	CKTS (N)	DIM. B1	DIM. B2	DIM. C	DIM. D1	DIM. D2	DIM. E	DIM. F	DIM. H1	DIM. H2
52730-124XX-XXX	124	22.48	15.28	42.00	21.60	14.40	40.645	41.70	18.90	4.50
52730-148XX-XXX	148	22.48	22.48	49.20	21.60	21.60	47.845	48.90	22.50	0.90

124 & 148 POS.

PROPOSAL DRAWING

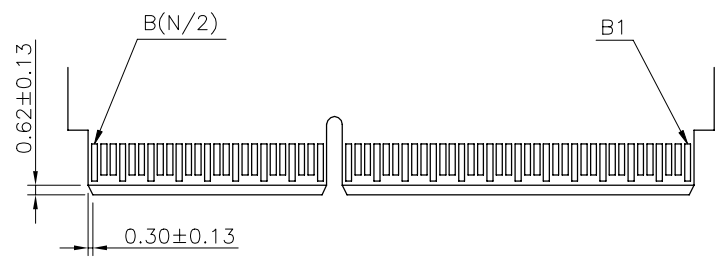
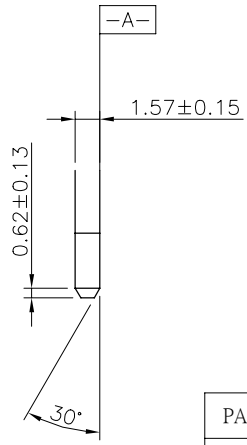
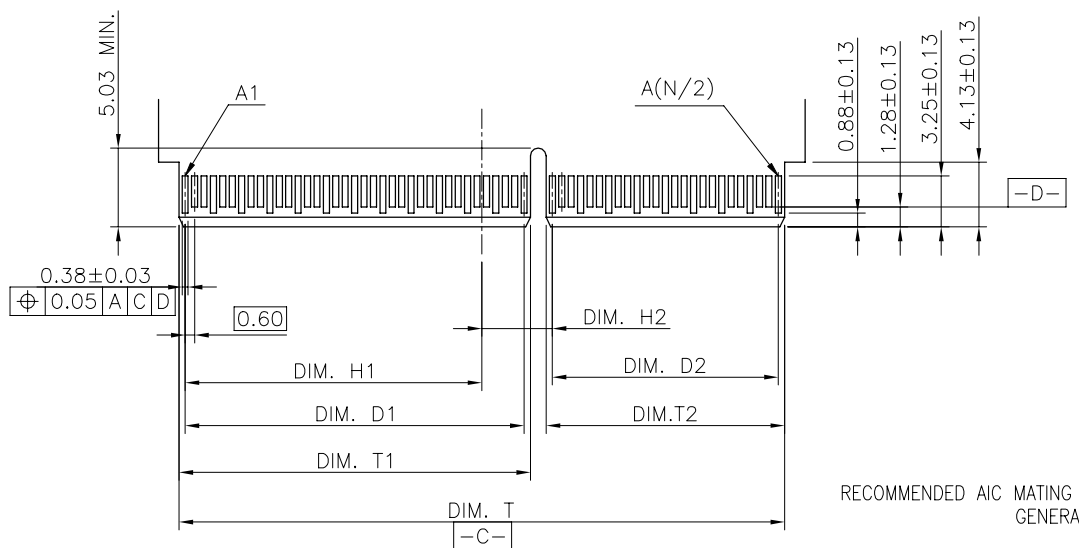
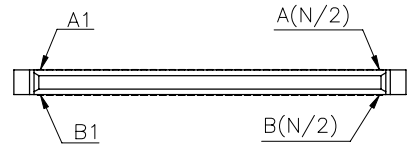


PROPOSAL DRAWING



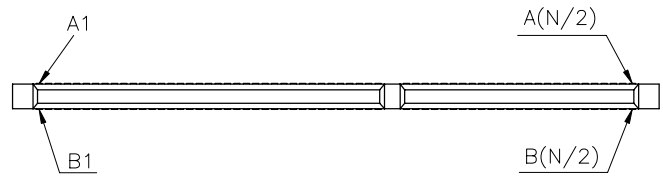
RECOMMENDED AIC MATING CARD DIMENSIONS(1 PORT)  
GENERAL TOLERANCES : ±0.05

PART NUMBER	CKTS (N)	DIM. B1	DIM. D
52730-038XX-XXX	38	11.60	10.80
52730-050XX-XXX	50	15.20	14.40
52730-074XX-XXX	74	22.40	21.60



RECOMMENDED AIC MATING CARD DIMENSIONS(2 PORT\_124 &148 PIN)  
GENERAL TOLERANCES : ±0.05

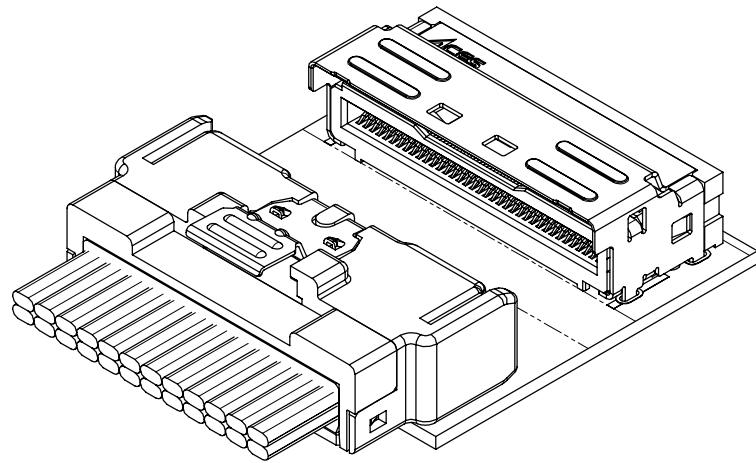
PART NUMBER	CKTS (N)	DIM. D1	DIM. D2	DIM. H1	DIM. H2	DIM. T	DIM. T1	DIM. T2
52730-124XX-XXX	124	21.60	14.40	18.90	4.50	38.60	22.40	15.2
52730-148XX-XXX	148	21.60	21.60	22.50	0.90	45.80	22.40	22.4



QUALITY SYMBOLS MAJOR CRITICAL GENERAL TOLERANCES (UNLESS SPECIFIED) X. ±0.5 .X ±0.25 .XX ±0.15 .XXX ±0.1 ANGLES ±2°	DRAWN BY <b>Huang, Kuo Hua</b>	DATE 22'/06/13	 TITLE MINI COOL EDGE 10 INTEGRATED CONNECTOR RIGHT ANGLE, 0.6 PITCH FOR PCIE, SMT TYPE
	CHECKED BY <b>Chen, Chun Yuan</b>	DATE 22'/06/13	
	APPROVED BY <b>Wang, Chun Sheng</b>	DATE 22'/06/13	
	UNITS mm	 SIZE A4	
SCALE NA	SHEET NO. 4 OF 5	REV -	DWG NO. 52730-XXXXX-XXX

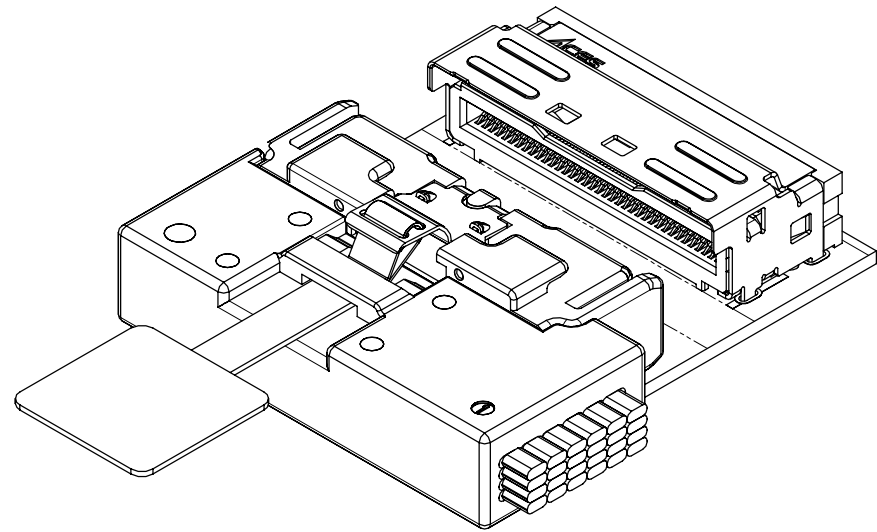
PROPOSAL DRAWING

RECEPTACLE--RIGHT ANGLE TYPE



PLUG--STRAIGHT TYPE

RECEPTACLE--RIGHT ANGLE TYPE



PLUG--SIDE ENTRY TYPE

RECOMMENDED MATING STYLE

QUALITY SYMBOLS MAJOR CRITICAL GENERAL TOLERANCES (UNLESS SPECIFIED) X. ±0.5 .X ±0.25 .XX ±0.15 .XXX ±0.1 ANGLES ±2°	DRAWN BY <b>Huang, Kuo Hua</b>	DATE 22'/06/13			
	CHECKED BY <b>Chen, Chun Yuan</b>	DATE 22'/06/13		TITLE MINI COOL EDGE IO INTEGRATED CONNECTOR RIGHT ANGLE, 0.6 PITCH FOR PCIE, SMT TYPE	
	APPROVED BY <b>Wang, Chun Sheng</b>	DATE 22'/06/13	SIZE A4		RFQ NO. N/A
	UNITS mm		SCALE NA	SHEET NO. 5 OF 5	REV -