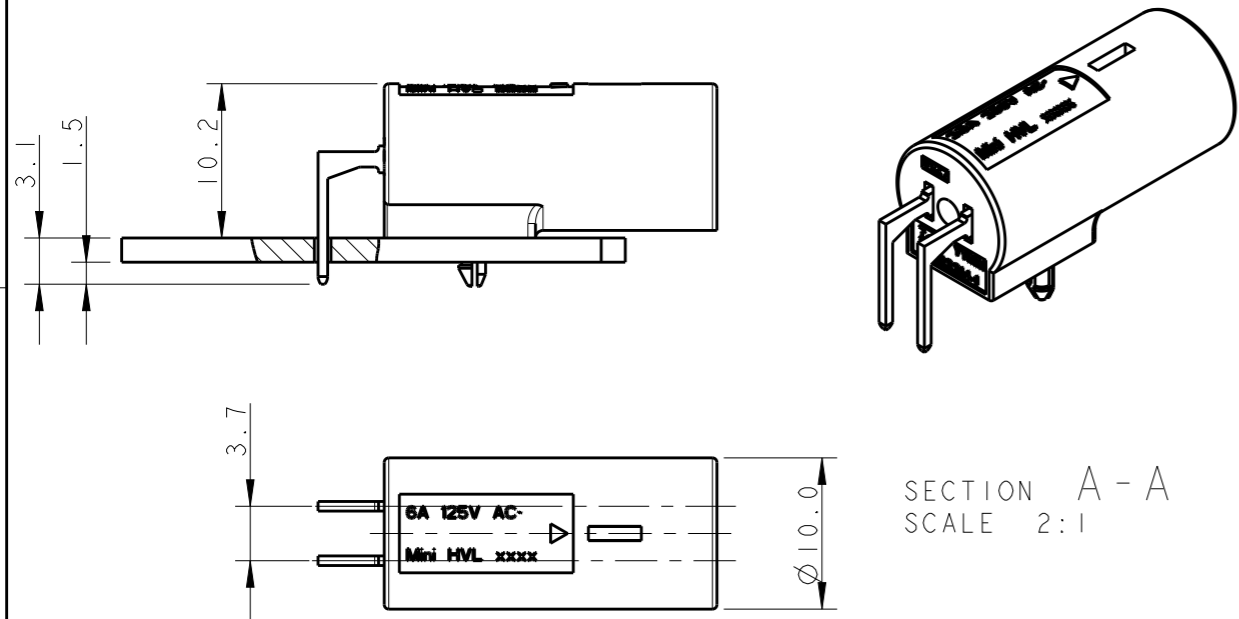


THIS DRAWING IS UNPUBLISHED. RELEASED FOR PUBLICATION 20
COPYRIGHT 20 BY - ALL RIGHTS RESERVED.

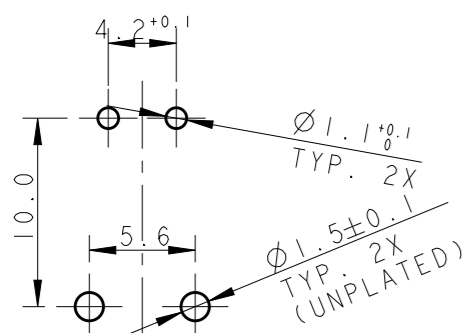
LOC	DIST	REVISIONS			
P	LTR	DESCRIPTION	DATE	DWN	APVD
AL	2	E	CHANGED PCB LAYOUT	01SEP2008	J.S. G.T.
		F	DELETED PART REVISION TABLE	18MAR2009	JS PEG
		F1	REVISED PCB HOLES LAYOUT	04APR2011	AV GT
		F2	REVISED PER ECR-13-009678	18SEP2013	RS DD

TYPICAL APPLICATION



PRINTED CIRCUIT BOARD LAYOUT FOR LOW VOLTAGE VERSION

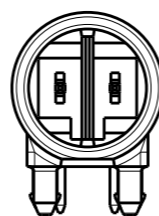
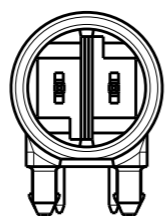
TOLERANCES UNLESS OTHERWISE SPECIFIED ± 0.05
PRINTED CIRCUIT BOARD THICKNESS: 1.6 mm NOMINAL



HIGH VOLTAGE

P/N 293315-1;-2;-6;-7
KEYING HV-1

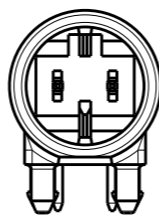
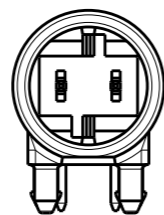
P/N 293315-3
KEYING HV-3



LOW VOLTAGE

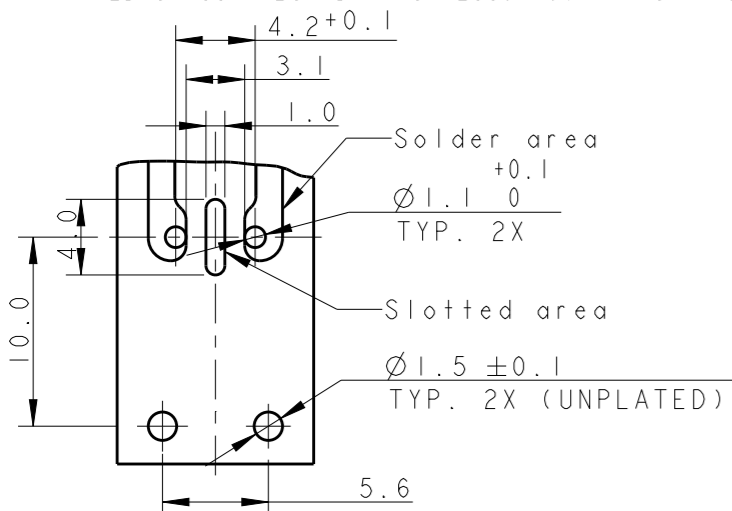
P/N 293315-4
KEYING LV-1

P/N 293315-5
KEYING LV-2



PRINTED CIRCUIT BOARD LAYOUT FOR HIGH VOLTAGE VERSION

TOLERANCES UNLESS OTHERWISE SPECIFIED ± 0.05
PRINTED CIRCUIT BOARD THICKNESS: 1.6 mm NOMINAL



- NOTE:
- 1 TIN PLATED CONTACTS
 - 2 GOLD PLATED CONTACTS
 - 3 MATERIAL HOUSING PA66 25%GFF UL94 V0

NOTE	KEYING	REMARKS	PART NUMBER	COLOR
2	HV-1	HIGH-VOLT 250 V AC	293315-7	BLACK
2	HV-1	HIGH-VOLT 250 V AC	293315-6	WHITE
1	LV-2	LOW-VOLT 42 V DC	293315-5	YELLOW
1	LV-1	LOW-VOLT 42 V AC	293315-4	LIGHT GREY
1	HV-3	HIGH-VOLT 125 V AC	293315-3	BLUE
1	HV-1	HIGH-VOLT 250 V AC	293315-2	BLACK
1	HV-1	HIGH-VOLT 250 V AC	293315-1	WHITE

THIS DRAWING IS A CONTROLLED DOCUMENT.

DIMENSIONS: mm	TOLERANCES UNLESS OTHERWISE SPECIFIED:
	0 PLC ±-
	1 PLC ±0.3
	2 PLC ±0.1
	3 PLC ±-
	4 PLC ±-
	ANGLES ±0.5°
MATERIAL	FINISH

DWN	20JUN2007
CHK	R. FRABONI
APVD	J. SALO
PRODUCT SPEC	11FEB2008
APPLICATION SPEC	L. BAILO
WEIGHT	108-94018
	114-32102
Customer Drawing	

TE TE Connectivity			
NAME 7.5 mm PCB CONNECTOR ASSEMBLY 90 DEGREE MALE VERSION			
SIZE	CAGE CODE	DRAWING NO	RESTRICTED TO
A3	00779	C-293315	-
SCALE 2:1		SHEET 1 OF 1	REV F2