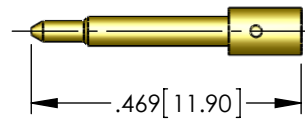
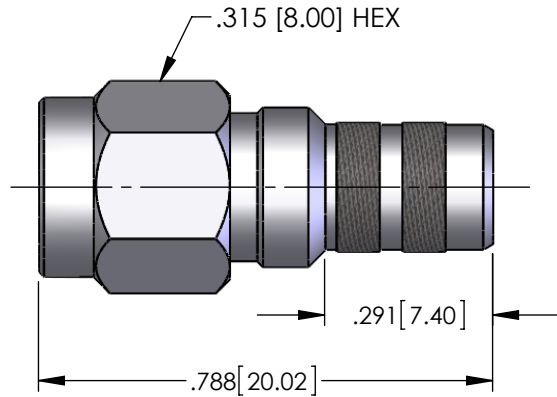
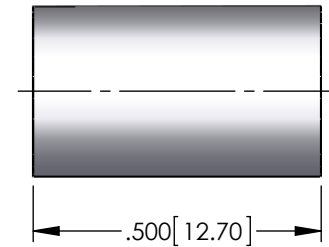


RSA-3000-X

REV	DESCRIPTION	DATE	APPR
C	CHANGE PIN CONFIGURATION / UPDATED SPECS	09/29/03	JDM



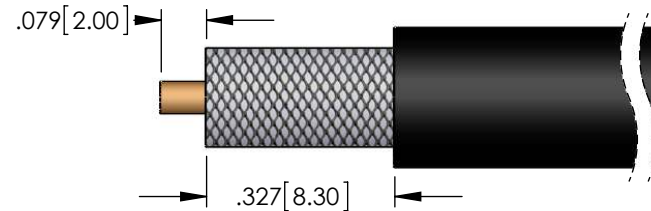
RECOMMENDED CRIMP DIE: .068"



RECOMMENDED CRIMP DIE: .255"

SPECIFICATIONS:

IMPEDANCE: 50 Ohms
 FREQUENCY RANGE: 0-12.4 GHz
 VSWR: 1.3 MAX.
 WORKING VOLTAGE: 500 V rms Max. @ Sea Level
 INSULATION RESISTANCE: 5k M Ohms min.
 TEMPERATURE RANGE: -65°C TO 85°C
 FOR RG-8/X, BELDEN 9258, MAXRAD M8X-100 &
 M8X-1000, MICRO 8/U, REMEE 1600, SAXTON 8315 &
 TIMES LMR-240 & LMR-240 ULTRAFLEX CABLE



RECOMMENDED STRIPPING DIMENSIONS

7	066-RG8-000-BN	FERRULE X	1	ROHS COMPLIANT UNLESS OTHERWISE SPECIFIED: DIMENSIONS ARE IN INCHES ALL DIMENSIOS ARE FOR REFERENCE ONLY CABLE GROUP X CODE 1808	NAME	DATE	RF INDUSTRIES 7610 MIRAMAR RD. SAN DIEGO, CA. 92126 858-549-6340 FAX 858-549-6345	
6	022-30M-001-LX	SMA GASKET	1		DRAWN	C. ZUNIGA		08/27/13
5	027-30M-000-CX	RETAINING RING	1		CHECKED			
4	012-30M-002-BN	SMA SHELL	1		ENG APPR.			TITLE:
3	010-30X-015-TX	SMA INSULATOR	1		PROPRIETARY AND CONFIDENTIAL THE INFORMATION CONTAINED IN THIS DRAWING IS THE SOLE PROPERTY OF RF INDUSTRIES. ANY REPRODUCTION IN PART OR AS A WHOLE WITHOUT THE WRITTEN PERMISSION OF RF INDUSTRIES IS STRICTLY PROHIBITED.			SMA PLUG CRIMP
2	009-30M-024-BG	SMA PIN X	1		SIZE	DWG. NO.	REV	
1	001-30M-016-BN	SMA BODY	1		A	RSA-3000-X	C	
ITEM #	PART NUMBER	DESCRIPTION	QTY		SCALE: NTS	NOTES:	SHEET 1 OF 1	