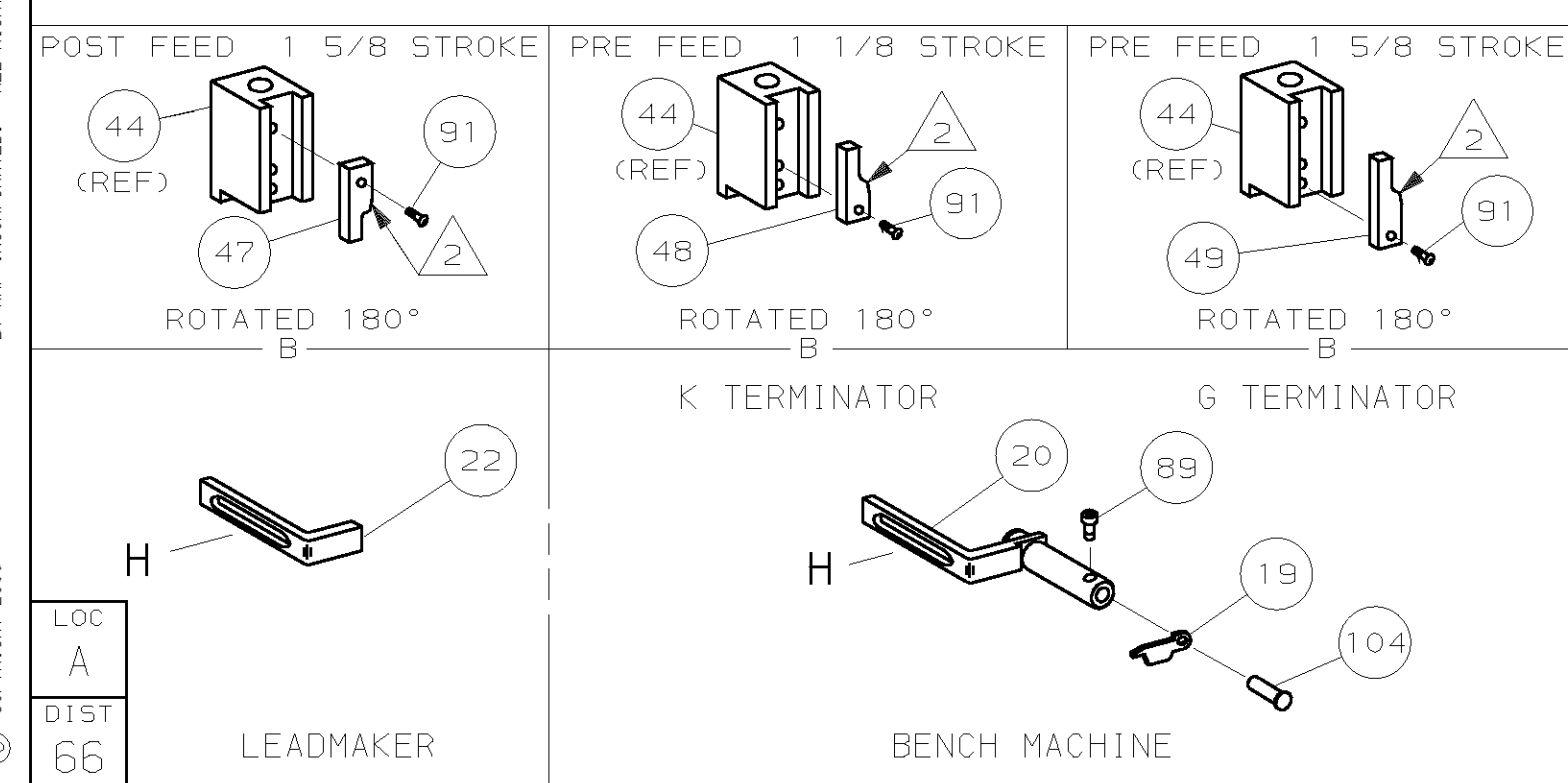
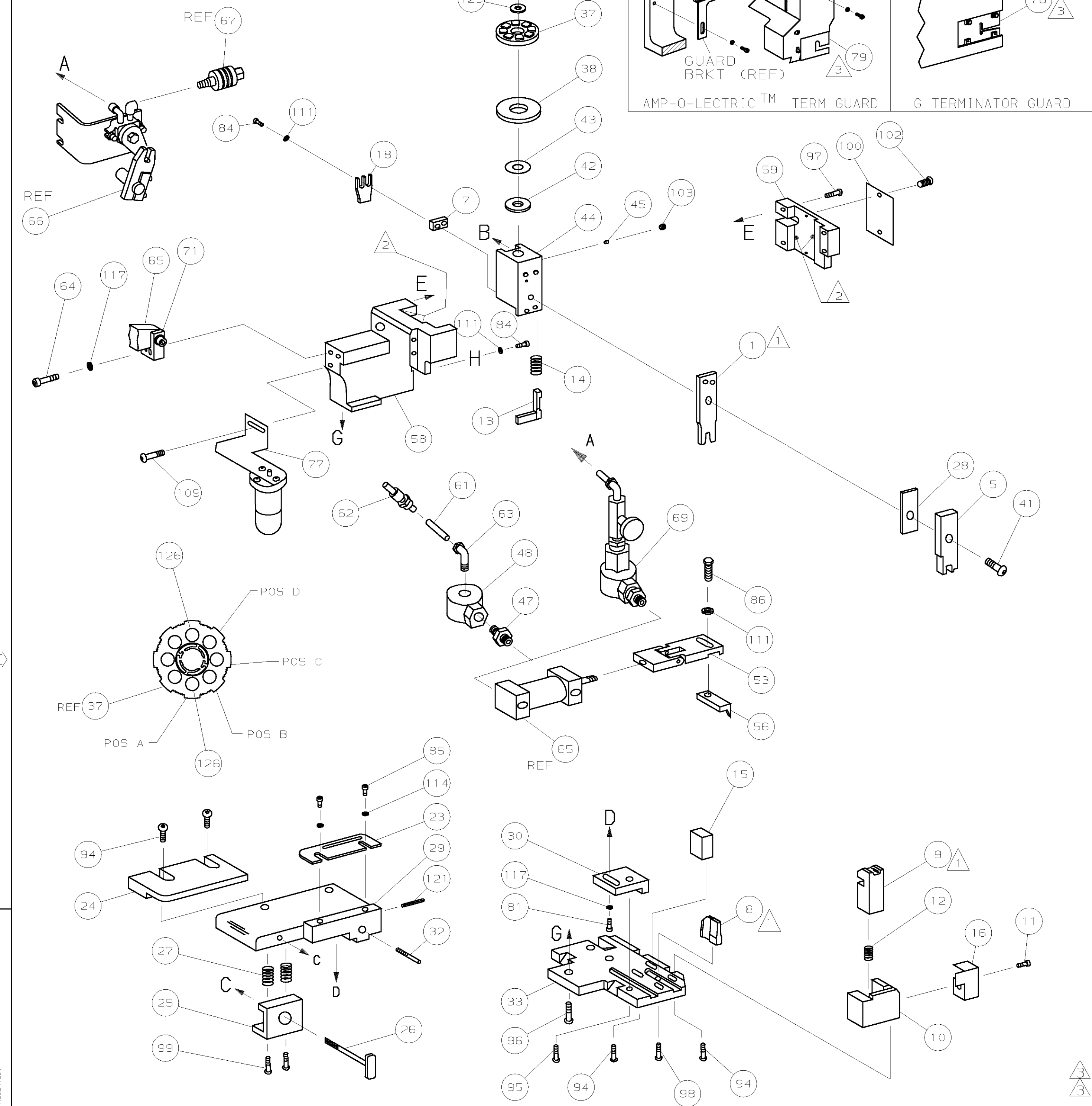


PART NUMBER	REV	FIRST USED
1385053-1	B	122500-1
1385053-2	B	565435-5
1385053-3	B	354500-1



- 1 RECOMMENDED SPARE PARTS.
- 2 GREASE LIGHTLY.
- 3 GUARD MUST BE IN PLACE WHEN OPERATING APPLICATOR IN A BENCH MACHINE.
- 4 SEE DRAWING FOR COMPONENTS
- 5 BEND TERMINAL TO 70°±5°

CRIMP DATA (AMP TERMINAL)			
PAD LTR	CRIMP HEIGHT	WIRE SIZE	
A	.040 ±.002 [1.02 ±0.05mm]	22	
B	NOT	USED	
C	NOT	USED	
D	NOT	USED	
CRIMP	SIZE	TYPE	RANGE
WIRE	.055 [1.40mm]	F	22
INSUL	-	-	-

QTY	REQD PER ASSY	U/M	DWG SIZE	PART NO	DESCRIPTION	ITEM NO	
129						129	
128						128	
127						127	
2	2	2	-	C	2-354779-2	PIN, WIRE DISC (.3100)A	126
1	1	1	-	A	986950-1	WASHER, FLAT PRECISION	125
1	1	1	-	A	217238-1	GENERAL INSTRUCTION PACKAGE	124
1	1	1	-	-	4088040	SF APPL INST 408-8040	123
							122
1	1	1	-	A	4-21028-0	PIN, SLT SPR(φ.093x.75)ST 6DE PL	121
							120
							119
1	1	1	-	A	21024-5	WASHER, LOCK (#10)ADJ BLOCK	118
							117
							116
2	2	2	-	A	21024-2	WASHER, LOCK (#4)FRONT STP GUIDE	115
							114
							113
2	2	2	-	A	21024-4	WASHER, LOCK (#8) STRIPPER	111
							110
-	1	-	-	A	2-21002-6	SCR, BHC (10-32x.38) LUBE ASSY	109
							108
							107
							106
1	1	-	-	A	992031-1	PIN, CLEVIS	104
1	1	1	-	A	21009-2	SCR, SKT 5ET (1/4-20x.25 LW) RAM	103
2	2	2	-	A	21017-2	SCR, DRIVE (#2x.19) ID PLATE	102
							101
1	1	1	-	B	461264-1	PLATE, IDENTIFICATION	100
2	2	2	-	A	3-21002-0	SCR, BHC (10-32x.88) DRAG	99
1	1	1	-	A	22733-8	SCR, BHC (8-32x.38 LW) ANVIL	98
4	4	4	-	A	2-21002-9	SCR, BHC (10-32x.75) CAP	97
3	3	3	-	A	2-22733-8	SCR, BHC (1/4-20x.62) H5G	96
1	1	1	-	A	2-21002-7	SCR, BHC (10-32x.50) 5G ADJ BLK	95
4	4	4	-	A	2-21002-2	SCR, BHC (8-32x.50) TERM H DWN	94
							93
							92
1	1	1	-	A	1-21002-7	SCR, BHC (6-32x.38) CAM	91
							90
1	1	-	-	A	7-21000-9	SCR, SHC (4-40x.19) STRIPPER	89
							88
							87
1	1	1	-	A	2-22603-0	SCR, HEX HD (8-32x.31) FEED FINGER	86
2	2	2	-	A	1-21000-3	SCR, SHC (4-40x.25) F ST GUIDE	85
1	1	1	-	A	2-21000-7	SCR, SHC (8-32x.50) STRIPPER	84
							83
							82
1	1	1	-	A	3-21000-4	SCR, SHC (10-32x.38) 5G ADJ BL	81
							80
-	REF	-	-	B	455749-1	GUARD, WINDOW	79
REF	-	-	-	B	679532-1	INSERT, GUARD	78
-	1	-	-	C	1-465184-0	LUBRICATOR ASSY	77
							76
							75
							74
							73
							72
1	1	1	-	B	459610-3	MOUNT, FEED BRACKET	71
-3	-2	-1	U/M	DWG SIZE	PART NO	DESCRIPTION	ITEM NO

QTY	REQD PER ASSY	U/M	DWG SIZE	PART NO	DESCRIPTION	ITEM NO	
-1						70	
-2						69	
-3						68	
-	1	-	-	C	692655-5	AIR FEED VALVE ASSY	67
-	REF	-	-	A	24042-2	VALVE, SHUT OFF	66
-	REF	-	-	C	692655-6	AIR FEED VALVE ASSY	65
1	1	1	-	B	461065-1	AIR FEED ASSY (1 INCH)	64
2	2	2	-	A	3-21000-7	SCR, SHC (10-32x.75) AIR ASSY	63
1	-	1	-	A	980285-2	ELBOW, SWIVEL 1/8 NPT - 1/4 T	62
1	-	1	-	A	23238-1	QUICK DISCONNECT	61
21.00	-	21.00	IN	A	27319-4	TUBING, POLY-FLO φ.25	60
REF	REF	REF	-	C	454220-1	CAP, RAM	59
1	1	1	-	D	454485-1	HOUSING	58
							57
1	1	1	-	B	3-694433-2	PAWL, FEED	56
							55
							54
1	1	1	-	B	461062-1	FEED FINGER ASSY	53
							52
							51
							50
							49
1	-	1	-	A	22374-7	VALVE, QUICK EXHAUST	48
1	-	1	-	A	22304-1	NIPPLE, HEX 1/8 NPT	47
							46
1	1	1	-	A	690191-1	PLUG, NYLON	45
1	1	1	-	C	1338281-3	RAM	44
1	1	1	-	A	690125-1	WASHER, LAMINATED	43
1	1	1	-	A	690124-9	WASHER, RAM	42
1	1	1	-	A	7-21002-9	BOLT, CRIMPER (5/16x1.00)	41
							40
							39
1	1	1	-	A	690223-2	SPACER, INSULATION DISC	38
1	1	1	-	D	354777-1	WIRE DISC, PLASTIC	37
1	1	1	-	A	22480-5	WASHER, SPRING	36
1	1	1	-	B	690212-1	POST, RAM	35
							34
1	1	1	-	D	455675-1	PLATE, BASE	33
1	1	1	-	A	690432-3	SCREW, ADJUSTMENT	32
							31
1	1	1	-	B	455689-1	BLOCK, STRIP GUIDE ADJ	30
1	1	1	-	C	455671-1	PLATE, STRIP GUIDE	29
1	1	1	-	C	1-455888-5	SPACER, FRONT SHEAR DEP	28
2	2	2	-	A	1-22284-0	SPRING, DRAG	27
1	1	1	-	B	690546-1	LEVER, DRAG RELEASE	26
1	1	1	-	B	240792-1	DRAG, TERMINAL	25
1	1	1	-	D	6-690504-4	GUIDE, STRIP (REAR)	24
1	1	1	-	A	690438-1	GUIDE, STRIP (FRONT)	23
-	-	-	-	B	690472-2	STRIPPER	22
							21
1	1	-	-	A	679218-1	STRIPPER WIRE STOP ASSY	20
1	1	-	-	B	458949-8	STRIPPER	19
1	1	1	-	B	1-690639-2	BENDING TOOL	18
							17
1	1	1	-	B	318563-1	GUARD, CHIP, FRONT	16
1	1	1	-	B	1424300-1	SUPPORT, TERMINAL	15
1	1	1	-	A	23846-2	SPRING, SHEAR	14
1	1	1	-	C	6-455892-8	HOLDDOWN, TERMINAL	13
1	1	1	-	A	4-22280-7	SPRING, SHEAR	12
1	1	1	-	B	690461-1	STOP, SHEAR	11
1	1	1	-	C	690459-1	HOLDER, SHEAR (FRONT)	10
1	1	1	-	C	1424304-1	SHEAR, FLOAT (FRONT)	9
1	1	1	-	C	679547-2	ANVIL	8
1	1	1	-	C	2-240641-8	SPACER, DEPRESSOR (REAR)	7
							6
1	1	1	-	C	2-455889-7	DEPRESSOR, SHEAR (FRONT)	5
							4
							3
							2
1	1	1	-	C	1-456402-0	CRIMPER, WIRE	1
-3	-2	-1	U/M	DWG SIZE	PART NO	DESCRIPTION	ITEM NO