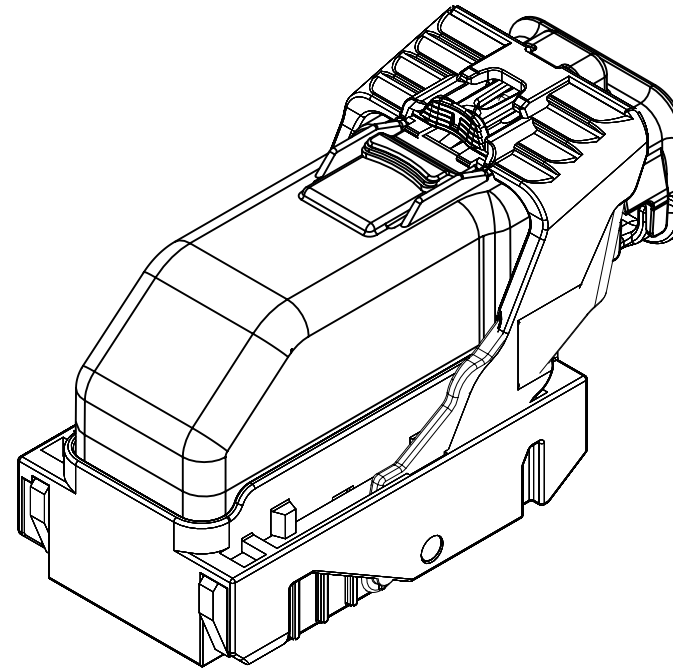

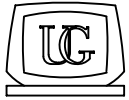


| INDEX   |      |
|---|------|
| PAGE TITLE  | PAGE |
| TITLE BLOCK   | 1    |
| REVISION BLOCK  | 2    |
| PART BLOCK  | 3    |
| KPC BLOCK   | 4    |
| COMPONENT TABLE   | 5    |
| NOTES   | 6    |
| NOTES   | 7    |
| WIRE DRESS PACKAGING DIMENSIONS   | 8    |
| LOCATION AND PACKAGING DIMENSIONS<br>REFERENCING INTERFACE DATUMS B & C | 9    |
| LOCATION AND PACKAGING DIMENSIONS<br>REFERENCING INTERFACE DATUM A      | 10   |
| KEY ID REF - WIRE DRESS OPTION 0  | 11   |
| KEY ID REF - WIRE DRESS OPTION 9  | 12   |
| CIRCUIT CONFIGURATIONS  | 13   |
| CIRCUIT CONFIGURATIONS  | 14   |
| COMPONENT CONNECTOR INTERFACE   | 15   |
| COMPONENT CONNECTOR INTERFACE   | 16   |
| COMPONENT CONNECTOR INTERFACE   | 17   |
| COMPONENT CONNECTOR INTERFACE   | 18   |
| COMPONENT CONNECTOR INTERFACE   | 19   |
| COMPONENT CONNECTOR INTERFACE   | 20   |
| COMPONENT CONNECTOR INTERFACE   | 21   |



ISO VIEW

|  | <p><b>UNLESS OTHERWISE SPECIFIED:</b> THIS DOCUMENT IS IN ACCORDANCE WITH ASME Y14.5M-1994 AS AMMENDED BY THE GM GLOBAL DIMENSIONING AND TOLERANCING ADDENDUM-1997. ALL GEOMETRIC TOLERANCES AND RELATED DATUMS APPLY RFS. RULE #1 (PERFECT FORM AT MMC) DOES NOT APPLY WHEN A RELATIONSHIP BETWEEN FEATURES IS ESTABLISHED BY ORIENTATION OR LOCATION TOLERANCES. SEPARATE POSITION CALLOUTS MAY BE GAGED SEPARATELY REGARDLESS OF DATUM REFERENCES.</p> |                                     |   | DATE                                       |    |     |     |   |     |  |
|---|---|-------------------------------------|---|--|----|-----|-----|---|-----|--|
|   | <br>CHANGE RESTRICTED<br>NO MANUAL CHANGES   | REFERENCE<br>12H (MOLEX AUTOMOTIVE) | DRAFTER J SZYMKOWSKI<br>APVD1 D PFAFFINGER<br>APVD2 B BURT<br>APVD3<br>APVD4<br>APVD5   | 22DE05<br>22DE05<br>22DE05<br><br><br><br> |    |     |     |   |     |  |
| DO NOT SCALE  | DRAWING NAME<br>HARNESS CONN ASM<br>66/73/80 CKTS   |                                     |   |  |    |     |     |   |     |  |
| METRIC<br>DIMENSIONS SHOWN IN<br>MILLIMETERS UNLESS<br>OTHERWISE SPECIFIED            | DRAWING NUMBER<br>12642695  |                                     | DWG STATUS<br><table border="1"> <tr> <th>ST</th> <th>REV</th> <th>PD1</th> </tr> <tr> <td>R</td> <td>002</td> <td></td> </tr> </table> |  | ST | REV | PD1 | R | 002 |  |
| ST  | REV   | PD1                                 |   |  |    |     |     |   |     |  |
| R   | 002   |                                     |   |  |    |     |     |   |     |  |
|   |   |                                     | PAGE NUMBER<br>1 OF 21  |  |    |     |     |   |     |  |

| PAGE | DWG STATUS |    |     |     |     | REVISION HISTORY   | AUTH   | DR  | CK  | ENG |
|------|------------|----|-----|-----|-----|--|--------|-----|-----|-----|
|      | DATE       | ST | REV | CHG | PDI |  |        |     |     |     |
|      | 19DE11     | R  | 001 |     |     | RELEASED TO PRODUCTION AT DLS A  | CRMRJB | SC  | MRO | GF  |
| 3    | 08MY15     | R  | 002 | A   |     | REORDERED PART BLOCK AND ADDED MASS<br>CORRECTED P/N TYPO FROM 12562676<br>TO 12582676 |        |     |     |     |
| 3, 5 |            | R  | 002 | B   |     | ADDED 12659312, 12659313, 12653574 AND<br>12653575                                     |        |     |     |     |
| 6    |            | R  | 002 | C   |     | REMOVED NOTE 1 . D . 3 . C   |        |     |     |     |
| 20   |            | R  | 002 | D   |     | DIM 125 WAS 3.25<br>DIM 131 WAS 5.5  | CRMRJD | DFK | MRO | GF  |

| PAGE | DWG STATUS |    |     |     |     | REVISION HISTORY | AUTH | DR | CK | ENG |
|------|------------|----|-----|-----|-----|------------------|------|----|----|-----|
|      | DATE       | ST | REV | CHG | PDI |                  |      |    |    |     |



KEY PRODUCT CHARACTERISTICS  
(IN ACCORDANCE WITH QN 1805 OR ON 1050)



SAFETY/COMPLIANCE

TOTAL ON  
DRAWING

5



FIT/FUNCTION

LAST NO.  
USED

5

| NO | TYPE | DESCRIPTION                     | RATIONALE                           | PAGE/ZONE |
|----|------|---------------------------------|-------------------------------------|-----------|
| 1  | F/F  | 32.68                           | IMPROVE CONNECTOR SYSTEM MATING     | 15        |
| 2  | F/F  | 29.00                           | INSURE PROPER RELEASE OF LEVER      | 15        |
| 3  | F/F  | 15.25                           | INSURE FINAL MATE POSITION          | 16        |
| 5  | F/F  | POSITIONAL TOLERANCE (2 PLACES) | INSURE CONNECTOR SYSTEM MATEABILITY | 19        |



PAGE TITLE  
KPC BLOCK

DRAWING NUMBER

12642695

DWG STATUS

|    |     |     |
|----|-----|-----|
| ST | REV | PD1 |
|----|-----|-----|

|   |     |  |
|---|-----|--|
| R | 002 |  |
|---|-----|--|

PAGE NUMBER

4 OF 21



| LINE | MFG.   | MFG. P/N     | GM P/N   | EFFECTIVE DATE | APPLICABLE COMPONENTS   | KEY OPTION | WIRE DRESS OPTION | KEY CONFIG. | COLOR   | STATUS     |
|------|--------|--------------|----------|----------------|---|------------|-------------------|-------------|---------|------------|
|      |        |              |          |                | DESCRIPTION   |            |                   |             |         |            |
| -    |        |              |          |                |   |            |                   |             |         |            |
| 1    | MOLEX  | 34565-0003   | 12582676 | 02JN03         | MX123 DRESS COVER 66/73/80 CKT  | N/A        | N/A               | N/A         | BLACK   | AVAILABLE  |
| 2    | MOLEX  | 34822-0013   | 12642692 | 01SP13         | MX123 HRNS CONN ASSY 66 CKT   | A          | 0                 | 1458        | BLACK   | AVAILABLE  |
| 3    | MOLEX  | 34822-0033   | 12659312 | 01SP13         | MX123 HRNS CONN ASSY 66 CKT   | C          | 0                 | 2467        | BLUE    | AVAILABLE  |
| 4    | MOLEX  | 34822-0023   | 12642693 | 01SP13         | MX123 HRNS CONN ASSY 66 CKT   | A          | 9                 | 1458        | BLACK   | AVAILABLE  |
| 5    | MOLEX  | 34822-0043   | 12659313 | 01SP13         | MX123 HRNS CONN ASSY 66 CKT   | C          | 9                 | 2467        | BLUE    | AVAILABLE  |
| 6    | MOLEX  | 34566-0103   | 12582677 | 11JN04         | MX123 HRNS CONN ASSY 73 CKT   | A          | 0                 | 1458        | BLACK   | AVAILABLE  |
| 7    | MOLEX  | 34566-0203   | 12582678 | 11JN04         | MX123 HRNS CONN ASSY 73 CKT   | B          | 0                 | 1468        | ST GRAY | AVAILABLE  |
| 8    | MOLEX  | 34566-0303   | 12615654 | 09AP08         | MX123 HRNS CONN ASSY 73 CKT   | C          | 0                 | 2467        | BLUE    | AVAILABLE  |
| 9    | MOLEX  | 34566-0403   | 12647268 | T.B.D          | MX123 HRNS CONN ASSY 73 CKT   | D          | 0                 | 2367        | BROWN   | NOT ACTIVE |
| 10   | MOLEX  | 34566-0503   | AMJ28633 | T.B.D          | MX123 HRNS CONN ASSY 73 CKT   | E          | 0                 | 2468        | GREEN   | NOT ACTIVE |
| 11   | MOLEX  | 34566-0603   | 12653574 | 05DC14         | MX123 HRNS CONN ASSY 73 CKT   | F          | 0                 | 1357        | NATURAL | AVAILABLE  |
| 12   | MOLEX  | 34566-0703   | 12588057 | 09AP08         | MX123 HRNS CONN ASSY 80 CKT   | G          | 0                 | 1358        | BLUE    | AVAILABLE  |
| 13   | MOLEX  | 34566-0803   | 12588058 | 11JN04         | MX123 HRNS CONN ASSY 80 CKT   | H          | 0                 | 2458        | ST GRAY | AVAILABLE  |
| 14   | MOLEX  | 34566-0903   | 12615656 | T.B.D          | MX123 HRNS CONN ASSY 80 CKT   | J          | 0                 | 2457        | BLACK   | NOT ACTIVE |
| 15   | MOLEX  | 34566-1003   | AMJ28595 | T.B.D          | MX123 HRNS CONN ASSY 80 CKT   | K          | 0                 | 2357        | BROWN   | NOT ACTIVE |
| 16   | MOLEX  | 34566-1103   | AMJ29057 | T.B.D          | MX123 HRNS CONN ASSY 80 CKT   | L          | 0                 | 2368        | GREEN   | NOT ACTIVE |
| 17   | MOLEX  | 34566-1203   | AMJ28669 | T.B.D          | MX123 HRNS CONN ASSY 80 CKT   | M          | 0                 | 2358        | NATURAL | NOT ACTIVE |
| 18   | MOLEX  | 34566-1303   | 12603596 | 11JN04         | MX123 HRNS CONN ASSY 73 CKT   | A          | 9                 | 1458        | BLACK   | AVAILABLE  |
| 19   | MOLEX  | 34566-1403   | 12603597 | 11JN04         | MX123 HRNS CONN ASSY 73 CKT   | B          | 9                 | 1468        | ST GRAY | AVAILABLE  |
| 20   | MOLEX  | 34566-1503   | 12615655 | 09AP08         | MX123 HRNS CONN ASSY 73 CKT   | C          | 9                 | 2467        | BLUE    | AVAILABLE  |
| 21   | MOLEX  | 34566-1603   | 12647269 | T.B.D          | MX123 HRNS CONN ASSY 73 CKT   | D          | 9                 | 2367        | BROWN   | NOT ACTIVE |
| 22   | MOLEX  | 34566-1703   | AMJ28698 | T.B.D          | MX123 HRNS CONN ASSY 73 CKT   | E          | 9                 | 2468        | GREEN   | NOT ACTIVE |
| 23   | MOLEX  | 34566-1803   | 12653575 | 05DC14         | MX123 HRNS CONN ASSY 73 CKT   | F          | 9                 | 1357        | NATURAL | AVAILABLE  |
| 24   | MOLEX  | 34566-1903   | 12603598 | 09AP08         | MX123 HRNS CONN ASSY 80 CKT   | G          | 9                 | 1358        | BLUE    | AVAILABLE  |
| 25   | MOLEX  | 34566-2003   | 12603599 | 11JN04         | MX123 HRNS CONN ASSY 80 CKT   | H          | 9                 | 2458        | ST GRAY | AVAILABLE  |
| 26   | MOLEX  | 34566-2103   | 12615657 | T.B.D          | MX123 HRNS CONN ASSY 80 CKT   | J          | 9                 | 2457        | BLACK   | NOT ACTIVE |
| 27   | MOLEX  | 34566-2203   | AMJ29117 | T.B.D          | MX123 HRNS CONN ASSY 80 CKT   | K          | 9                 | 2357        | BROWN   | NOT ACTIVE |
| 28   | MOLEX  | 34566-2303   | AMJ29136 | T.B.D          | MX123 HRNS CONN ASSY 80 CKT   | L          | 9                 | 2368        | GREEN   | NOT ACTIVE |
| 29   | MOLEX  | 34566-2403   | AMJ29214 | T.B.D          | MX123 HRNS CONN ASSY 80 CKT   | M          | 9                 | 2358        | NATURAL | NOT ACTIVE |
| 30   | MOLEX  | 34736-2002   | 12642697 | 01AU10         | MX64 RCPT TERM Ag 18/20 GAGE B (RIGHT PAYOFF)   | N/A        | N/A               | N/A         | N/A     | AVAILABLE  |
| 31   | MOLEX  | 34736-2001   | 12642696 | 01AU10         | MX64 RCPT TERM Ag 22 GAGE B (RIGHT PAYOFF)  | N/A        | N/A               | N/A         | N/A     | AVAILABLE  |
| 32   | MOLEX  | 34586-0001   | T.B.D.   | 11JN04         | MX123 0.64MM GROMMET PLUG   | N/A        | N/A               | N/A         | NATURAL | AVAILABLE  |
| 33   | YAZAKI | 7116-4150-02 | 12588066 | 02JN03         | 2.8mm YESC SEALED FEMALE TERMINAL TIN 20/22 GAGE (CABLE RANGE 0.30mm-0.60mm)                                      | N/A        | N/A               | N/A         | N/A     | NOT ACTIVE |
| 34   | YAZAKI | 7116-4151-02 | 12588067 | 02JN03         | 2.8mm YESC SEALED FEMALE TERMINAL TIN 16/18 GAGE (CABLE RANGE 0.75mm-1.40mm)                                      | N/A        | N/A               | N/A         | N/A     | NOT ACTIVE |
| 35   | YAZAKI | 7116-4152-02 | 12582685 | 02JN03         | 2.8mm YESC SEALED FEMALE TERMINAL TIN 14 GAGE (CABLE RANGE 1.50mm-2.50mm)   | N/A        | N/A               | N/A         | N/A     | AVAILABLE  |
| 36   | YAZAKI | 7158-3111-60 | 12588068 | 02JN03         | 2.8mm CABLE SEAL (wire O.D. range 1.20mm-1.90mm)  | N/A        | N/A               | N/A         | GREEN   | NOT ACTIVE |
| 37   | YAZAKI | 7158-3112-70 | 12588069 | 02JN03         | 2.8mm CABLE SEAL (wire O.D. range 1.80mm-2.30mm)  | N/A        | N/A               | N/A         | YELLOW  | NOT ACTIVE |
| 38   | YAZAKI | 7158-3113-40 | 12582686 | 02JN03         | 2.8mm CABLE SEAL (wire O.D. range 2.18mm-3.00mm)  | N/A        | N/A               | N/A         | WHITE   | AVAILABLE  |
| 39   | YAZAKI | 7158-3114-90 | T.B.D    | 02JN03         | 2.8mm YESC CAVITY PLUG  | N/A        | N/A               | N/A         | BLUE    | AVAILABLE  |
| 40   | MOLEX  | 63811-4200   | XX019825 | 02JN03         | MX64 TERM HAND CRIMP TOOL   | N/A        | N/A               | N/A         | N/A     | AVAILABLE  |
| 41   | MOLEX  | 63813-1400   | XX019826 | 02JN03         | MX64 TERM SERVICE TOOL  | N/A        | N/A               | N/A         | N/A     | AVAILABLE  |
| 42   | MOLEX  | 63865-8000   | XX019827 | 02JN03         | MX64 CRIMP APPLICATOR with TOOL KIT 18/20 GAGE PAYOFF DIRECTION D (left payoff) (contact Molex for payoff detail) | N/A        | N/A               | N/A         | N/A     | AVAILABLE  |
| 43   | MOLEX  | 63865-8070   | XX019828 | 02JN03         | MX64 APPLICATOR TOOL KIT 18/20 GAGE   | N/A        | N/A               | N/A         | N/A     | AVAILABLE  |
| 44   | MOLEX  | 63865-8100   | XX019829 | 02JN03         | MX64 CRIMP APPLICATOR with TOOL KIT 22 GAGE PAYOFF DIRECTION D (left payoff) (contact Molex for payoff detail)    | N/A        | N/A               | N/A         | N/A     | AVAILABLE  |
| 45   | MOLEX  | 63865-8170   | XX019830 | 02JN03         | MX64 APPLICATOR TOOL KIT 22 GAGE  | N/A        | N/A               | N/A         | N/A     | AVAILABLE  |
| 46   | SPX    | J35616-64    | T.B.D.   | 02JN03         | 0.64mm PROBE TOOL (for rcpt)  | N/A        | N/A               | N/A         | N/A     | AVAILABLE  |
| 47   | SPX    | J35616-64A   | T.B.D.   | 02JN03         | 0.64mm PROBE TOOL WITH EXT (for rcpt)   | N/A        | N/A               | N/A         | N/A     | AVAILABLE  |
| 48   | SPX    | J35616-65    | T.B.D.   | 02JN03         | 0.64mm PROBE TOOL WITH EXT (for pin)  | N/A        | N/A               | N/A         | N/A     | AVAILABLE  |
| 49   | SPX    | J35616-4A    | T.B.D.   | 02JN03         | 2.8mm PROBE TOOL (for rcpt)   | N/A        | N/A               | N/A         | N/A     | AVAILABLE  |
| 50   | YAZAKI | X39899-J374  | 12094430 | 02JN03         | 2.8mm TERM SERVICE TOOL   | N/A        | N/A               | N/A         | N/A     | AVAILABLE  |

002B

\* - MX123 DRESS COVER 73/80/66 CKT MATES TO ANY MX123 HARN CONN ASSY SHOWN ON TABLE ABOVE



PAGE TITLE  
COMPONENT TABLE

DRAWING NUMBER

12642695

DWG STATUS

|    |     |     |
|----|-----|-----|
| ST | REV | PD1 |
| R  | 002 |     |

PAGE NUMBER

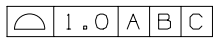
5 OF 21

NOTES: UNLESS OTHERWISE SPECIFIED

1. MATERIAL FOR INTERFACE:

- A. RESIN:
  - 1. 30% G.F. PBT; 20% MAX. (BY WEIGHT) REGRIND.
  - 2. MATING CONNECTOR INTERFACE PART COLOR MUST BE SAME AS MATCHING KEYED HARNESS CONNECTOR ASSEMBLY.
  - 3. MUST BE VALIDATED FOR INDIVIDUAL DEVICE APPLICATION REQUIREMENTS.
- B. 0.64MM PINS:
  - 1. BASE MATERIAL: COPPER ALLOY; CONDUCTIVITY >= 28% IACS AT 20°C; TENSILE STRENGTH >= 635 N/mm<sup>2</sup>; SURFACE ROUGHNESS R<sub>a</sub> 6 MAX.
  - 2. PLATING FINISH: SILVER (Ag). PLATING TO BE 1.9-3.3 μm ELECTRODEPOSITED SEMI-BRIGHT SILVER OVER 1.25-2.25 μm DUCTILE SULPHAMATE NICKEL PER NOTE 1(D).
  - 3. ANTI-TARNISH: SYNTHETIC HYDROCARBON CONTACT SURFACE FINISH OR EQUIVALENT APPLIED WITHOUT VOID TO CONTACT AREA (MIN 3.7mm FROM PIN TIP).
- C. 2.8MM BLADE:
  - 1. BASE MATERIAL: COPPER ALLOY; CONDUCTIVITY >= 28% IACS AT 20°C; TENSILE STRENGTH >= 350 N/mm<sup>2</sup>; SURFACE ROUGHNESS R<sub>a</sub> 6 MAX.
  - 2. PLATING FINISH: TIN. PLATING TO BE 2.5-5.0 μm ELECTRODEPOSITED TIN, MATTE FINISH OVER 1.25-2.5 μm DUCTILE SULPHAMATE NICKEL PER NOTE 1(D).
- D. PLATING REQUIREMENTS:
  - 1. SILVER PLATING
    - a. 99.5% PURE SEMI-BRIGHT WITH NO ORGANIC BRIGHTNERS OR CHROMATES.
  - 2. NICKEL PLATING
    - a. ELECTRODEPOSITED DUCTILE SULFAMATE NICKEL WITH A NON-BRIGHTENED FINISH. NO ORGANIC OR BRIGHTENING AGENTS SHALL BE ALLOWED.
    - b. SHALL ONLY BE USED AS AN UNDERLYING PLATING AND MAY NOT BE USED AS AN ELECTRICAL CONTACT SURFACE PLATING.
    - c. SHALL BE NODULE FREE WHEN VIEWED AT 10X MAGNIFICATION IN MEASURED IN CONTACT SURFACE AREA PLUS 0.5MM PERIMETER AROUND THE CONTACT SURFACE AREA.
    - d. ALL PLATINGS SHALL HAVE A 1.0% MAXIMUM BY WEIGHT IMPURITIES. IMPURITIES ARE DEFINED AS ALL ELEMENTS NOT THE PRIMARY PLATING OR HARDENING AGENT IF APPLICABLE, AS DETERMINED BY WET CHEMICAL ANALYSIS OR AUGER METHOD. NO SINGLE IMPURITY SHALL EXCEED 0.1% MAXIMUM BY WEIGHT.
  - 3. TESTING
    - a. THICKNESS TO BE MEASURED IN CONTACT SURFACE AREA PLUS 0.5MM PERIMETER AROUND THE CONTACT SURFACE AREA AS DESIGNATED IN THE DRAWING. THICKNESS SHALL BE DETERMINED BY METHOD OF X-RAY (XRF).
    - b. PLATING ADHESION SHALL BE TESTED BY A BEND TEST FOR ALL METALS. THE TEST SAMPLE SHALL BE BENT 90 DEGREES TO DETERMINE DEPOSIT ADHESION. TESTING SHALL BE COMPLETED IN ACCORDANCE WITH ASTM SPEC B571.


2. DESIGN - GENERAL:

- A. THIS IS A 100% CAD GENERATED PART. THE CAD MATHEMATICAL DATA IS THE MASTER FOR THIS PART. FOR DIMENSIONAL OR ANY INFORMATION NOT SHOWN ON THIS DRAWING, ANALYZE THE CAD MODEL.
- B. TOLERANCES:
  - 1. LINEAR
    - 0.X ± 0.30
    - 0.XX ± 0.10
    - 0.XXX ± 0.10
  - 2. ANGULAR X° ± 3°
  - 3. 
- C. MINIMUM WALL THICKNESS REQUIRED: 1.3mm.
- D. CORNERS SHOWN AS SHARP TO BE R 0.2 MAX.
- E. LETTERING SHALL BE 0.15 MAX RAISED IN 0.20 MAX RECESS PAD. THIS INCLUDES MATERIAL CODE, RECYCLING CODE, CAVITY ID AND DATE CODE.
- F-1. PARTS MUST BE FREE OF DISCOLORATION, SALT RESIDUE AND OTHER IMPERFECTIONS THAT AFFECT FIT OR FUNCTION.
- F-2. SCRATCHES OR DENTS NOT TO EXCEED 0.013mm IN DEPTH.
- G. FOLLOWING PRODUCTION CODES TO BE PERMANENTLY MARKED & HUMAN READABLE TO A LETTER HEIGHT OF 1.5 ± 0.5MM X 0.3 MAX DEEP
  - 1. MATERIAL #: XXXXX-XXXX
  - 2. DATE CODE: JJYY (JULIAN DAY, LAST DIGIT OF YEAR)
  - 3. INSPECTION MACHINE CODE + SERIAL #: X\_XXXXX

3. DESIGN - MANUFACTURING:

- A. DRAFT TO BE WITHIN TOLERANCE.
- B. ALLOWABLE FLASH MAX 0.2 HIGH X MAX 0.13 THICK.
- C. ALLOWABLE PARTING LINE MISMATCH 0.2 MAX.
- D. EJECTOR PINS MARK TO BE FLUSH TO 0.25 MAX DEPRESSED.
- E. ALLOWABLE GATE VESTIGE FLUSH TO 0.25 MAX PROTRUSION.
- F. NO EXTERNAL MOLD RELEASE AGENT ALLOWED DURING MANUFACTURING.
- G. STEEL THAT FORMS THE INDICATED SURFACE MUST BE POLISHED WITH A DIAMOND FINISH (SPI A-2) OVER THE FULL PERIPHERY OF THE TOOL. SURFACE MUST HAVE NO MISMATCH.
- H. ANY PROCESS LUBRICANT REMAINING ON THE TERMINAL MUST NOT VARNISH OR DEGRADE IT'S ELECTRICAL PERFORMANCE UP TO A MAXIMUM CLASS AMBIENT TEMPERATURE PER SAE USCAR-2 FOR 1008 HOURS. PROCESS LUBRICANTS SHOULD BE APPROVED BY THE RESPONSIBLE ENGINEER.
- J. OPTIONAL FEATURES PROVIDED FOR AUTOMATION.
- K. PART MUST BE FREE FROM BURRS AND SHARP EDGES, WHICH MIGHT BE DETRIMENTAL TO SATISFACTORY ASSEMBLY, SAFE HANDLING OR FUNCTION OF PART.
- L. PARTS AS DELIVERED TO ASSEMBLY SHALL BE CLEAN AND FREE OF DEBRIS, RESIDUAL ABRASIVE MATERIAL AND CORROSION PRODUCTS ADVERESLY AFFECTING FUNCTION OR APPEARANCE.
- M. RESTRICTED AND REPORTABLE SUBSTANCES FOR PARTS PER GMW3059.

002C

|   |            |                |            |    |     |             |         |
|---|------------|----------------|------------|----|-----|-------------|---------|
|  | PAGE TITLE | DRAWING NUMBER | DWG STATUS |    |     | PAGE NUMBER |         |
|   | NOTES      |                | 12642695   | ST | REV | PDI         | 6 OF 21 |
|   |            |                |            | R  | 002 |             |         |

NOTES: UNLESS OTHERWISE SPECIFIED

4. SYSTEM REQUIREMENTS:

A. HARNESS CONNECTOR IS COMPATIBLE WITH THE FOLLOWING SAE WIRE SIZE NO'S:

- 14, MEETING SAE J1128
- 18, MEETING SAE J1128, MAX O.D. OF 2.06 MM
- 20, MEETING SAE J1128
- 22, MEETING SAE J1128, MIN O.D. OF 1.47 MM

B. CABLE TIE SPECIFICATIONS:

- 1. CABLE TIE:
  - TENSILE RATING: 220N / (50lbs) MIN
  - TIE LENGTH: 186mm MIN
  - TIE WIDTH: 4.75mm MAX
  - MATERIAL: NYLON
- 2. INSTALLATION:
  - CABLE TIE TENSION: 190N MIN
- 3. DRESSED WIRE BUNDLE PACKAGING: SEE FIG. 1

C. WHEN MATED WITH COMPONENT CONNECTOR INTERFACE AND/OR DRESS COVER, HARNESS CONNECTOR SYSTEM CONFORMS TO THE FOLLOWING:

- 1. SAE/USCAR-2, REV: 3 APRIL, 2001; CLASS 3
- 2. FIELD CORRELATED LIFE TEST, SAE/USCAR-20, NOV. 2001
- 3. GMW #3191 AUGUST 22, 2000 (DRAFT); TEMPERATURE CLASS 3, SEALING CLASS 1, VIBRATION CLASS 2
- 4. RESTRICTED AND REPORTABLE CHEMICALS PER GMW #3059, REV: D AUGUST 2002
- 5. TPA USER FORCES (FULLY POPULATED WITH TERMINALS)
  - a. REMOVAL FROM LOCK TO PRE-SET: <=120N

D. WIRE SPECIFICATIONS:

- 1. WIRE SURFACE MUST BE FREE OF SCRATCHES, GROOVES OR DENTS WHERE FUNCTIONAL

5. TERMINAL CURRENT RATINGS:

ALL TESTING DONE IN ACCORDANCE WITH USCAR-2 REV5 SECTION 5.3

A. MX64 RCPT TERM

- 1. MX64 RCPT TERM Ag 18/20 GAGE CRIMPED TO SAE WIRE SIZE NO.18 AND MATED TO MX123 0.64MM PIN: 11.3 AMPS
- 2. MX64 RCPT TERM Ag 22 GAGE CRIMPED TO SAE WIRE SIZE NO.22 AND MATED TO MX123 0.64MM PIN:8.5 AMPS

| WIRE  | CURRENT RATING |       |       |       |
|-------|----------------|-------|-------|-------|
|       | 23°C           | 85°C  | 105°C | 125°C |
| 18AWG | 11.3A          | 11.3A | 9.5A  | 6.6A  |
| 20AWG | 10.0A          | 10.0A | 8.3A  | 5.7A  |
| 22AWG | 8.6A           | 8.6A  | 7.1A  | 5.0A  |

B. 2.8MM RCPT TERM

- 1. 2.8MM RCPT TERM TIN 14 GAGE CRIMPED TO SAE WIRE SIZE NO.14 AND MATED TO MX123 2.8MM BLADE: 25.6 AMPS

6. CONTACT MOLEX AUTOMOTIVE FOR AVAILABLE CUSTOM PATTERNS OF CAVITIES OPEN FOR CIRCUITS



PAGE TITLE  
NOTES

DRAWING NUMBER

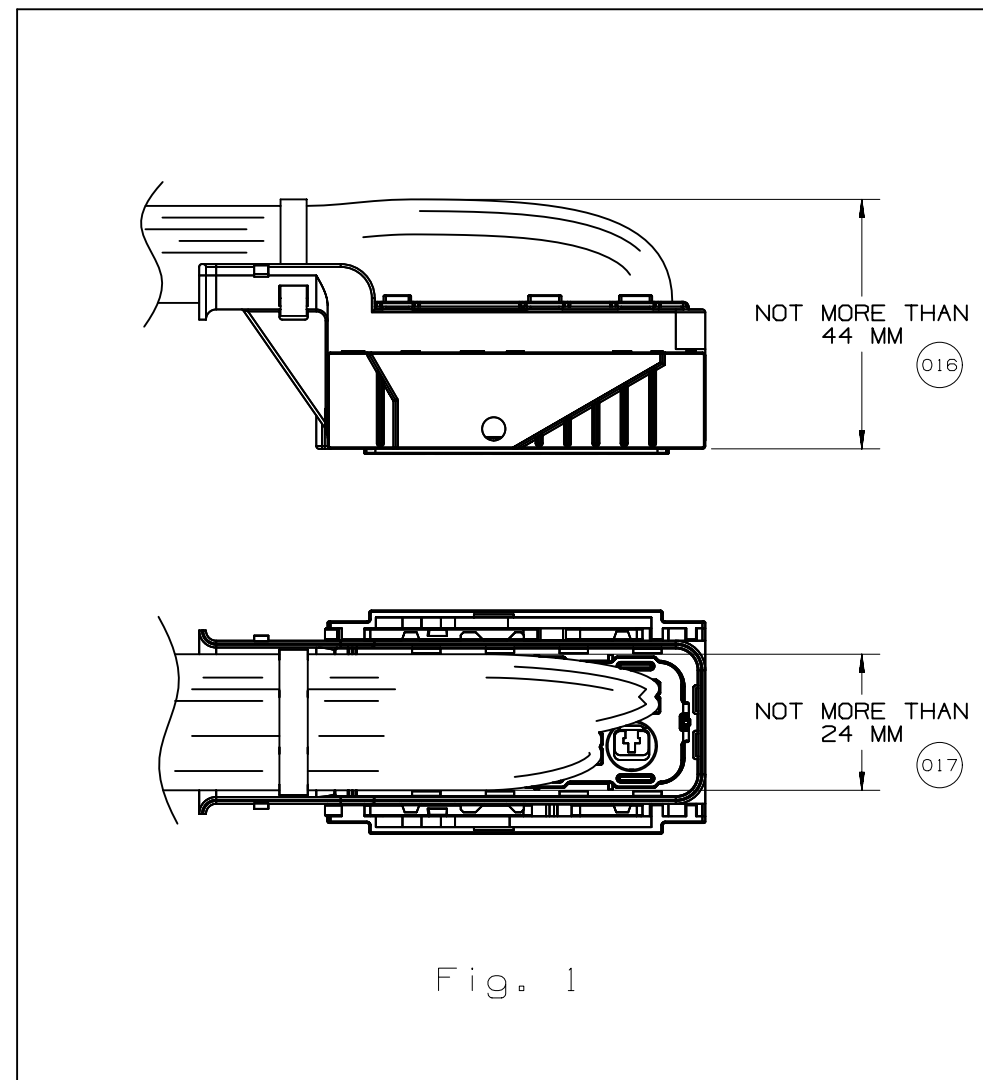
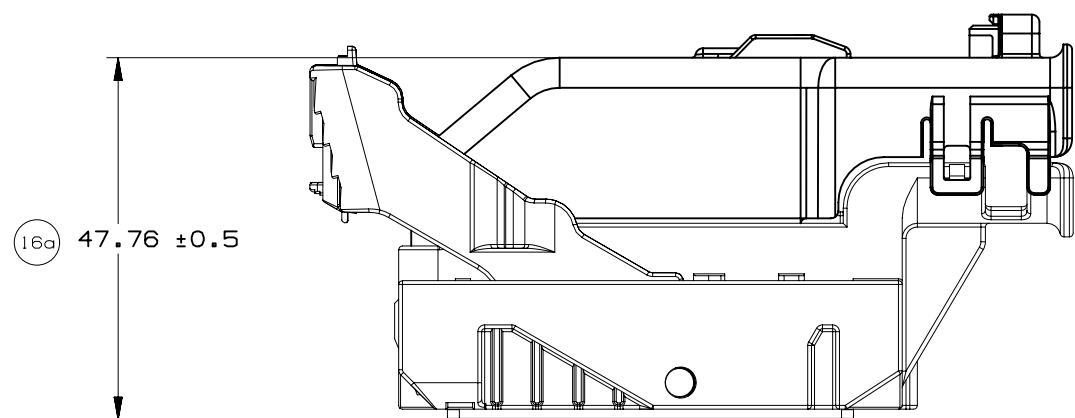
12642695

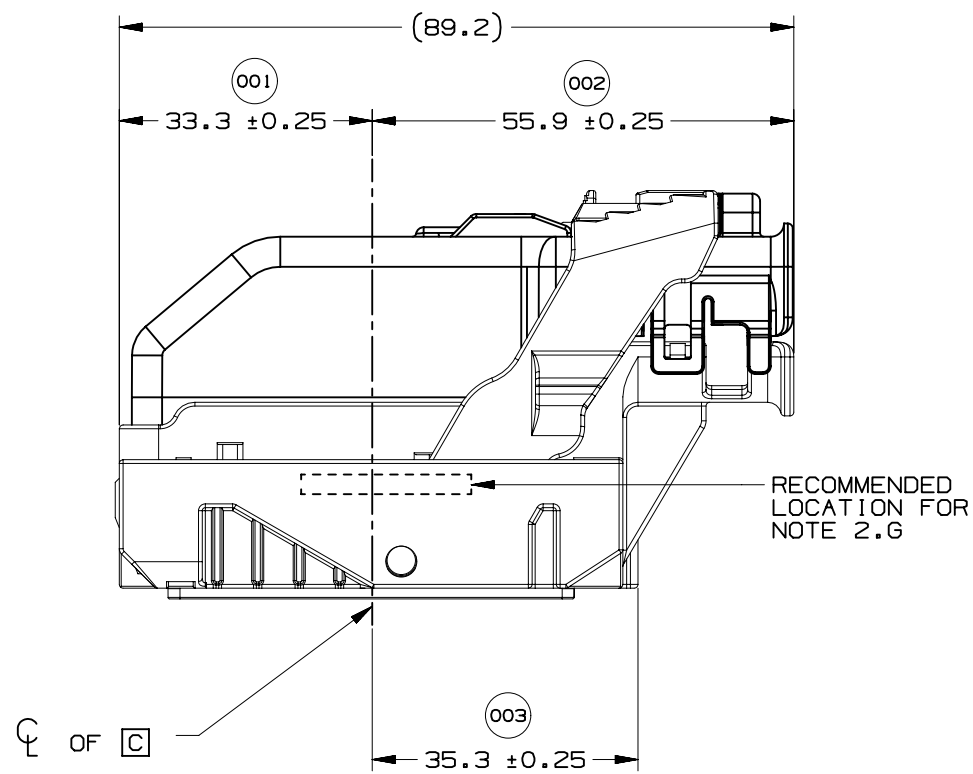
DWG STATUS

| ST | REV | PDI |
|----|-----|-----|
| R  | 002 |     |

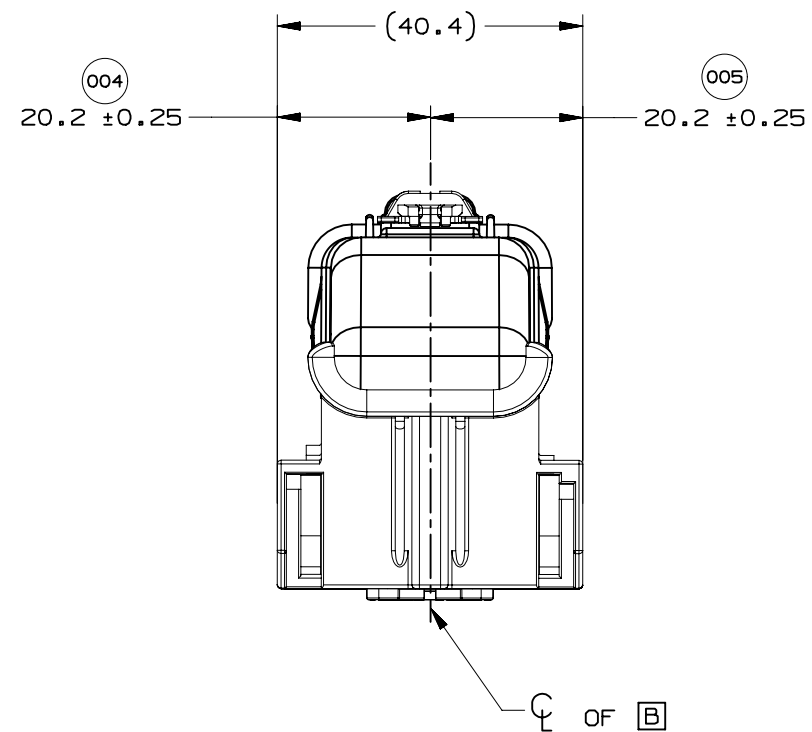
PAGE NUMBER

7 OF 21

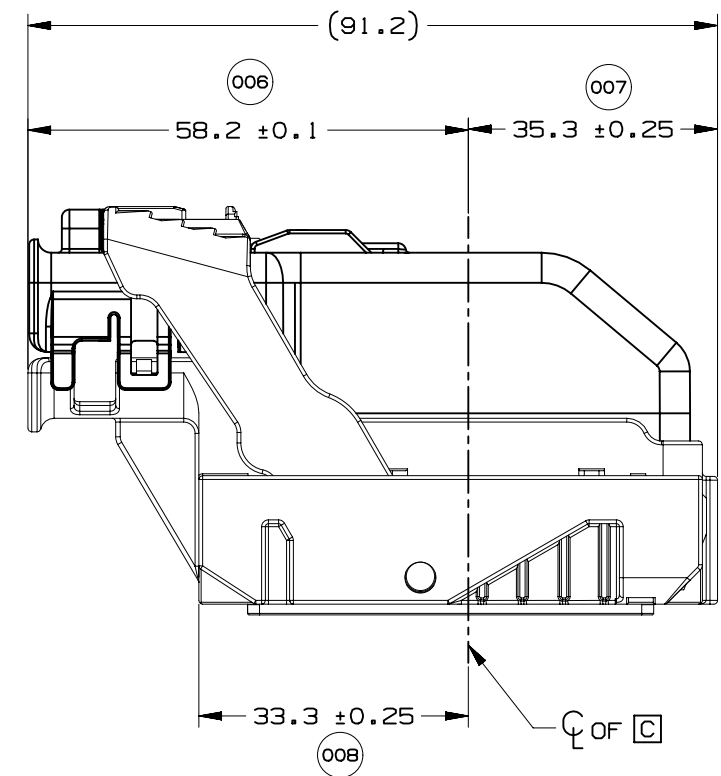




WIRE DRESS OPTION 0 SHOWN

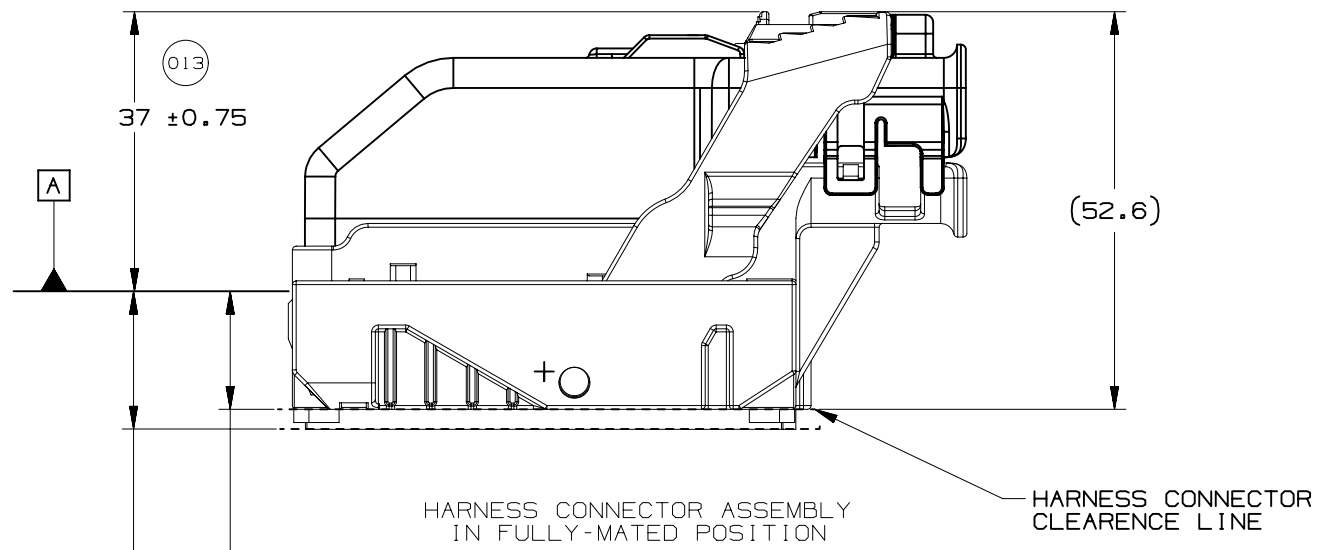
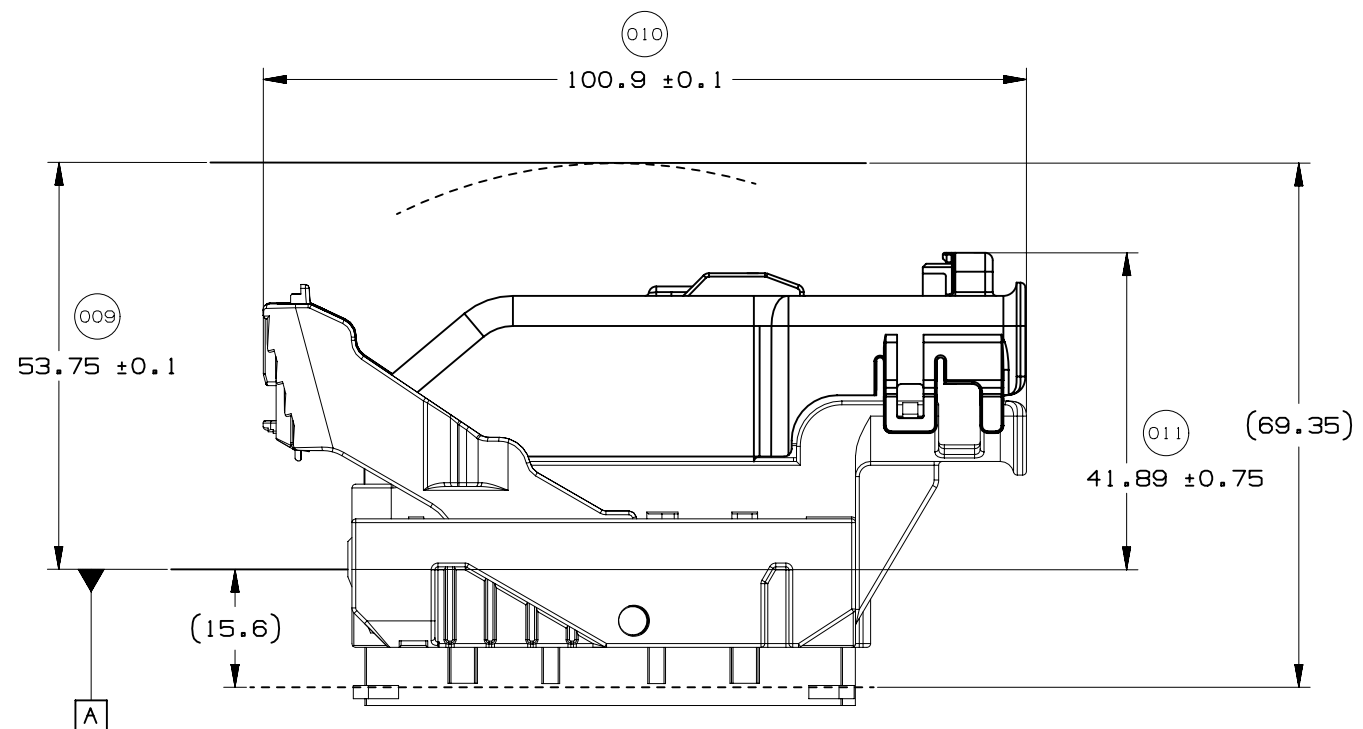
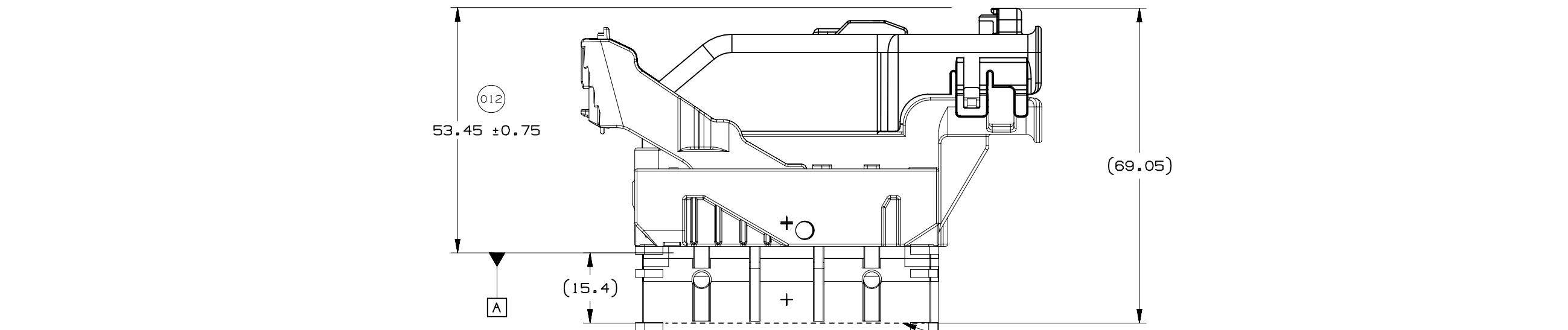


WIRE DRESS OPTION 0 SHOWN



WIRE DRESS OPTION 9 SHOWN





15.6 MIN. ALL AROUND CLEARANCE REQUIRED FOR HARNESS CONNECTOR

014

17.9 MIN. AT PAD LOCATION CLEARANCE REQUIRED FOR HARNESS CONNECTOR CONSTRUCTION BELOW THIS PLANE IS NOT CONTROLLED

015

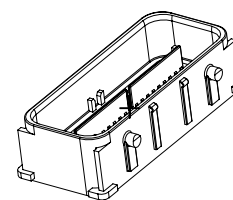
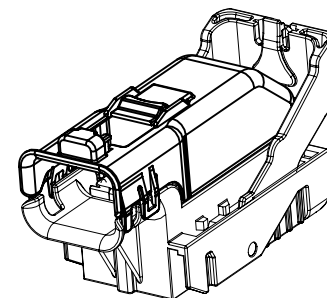
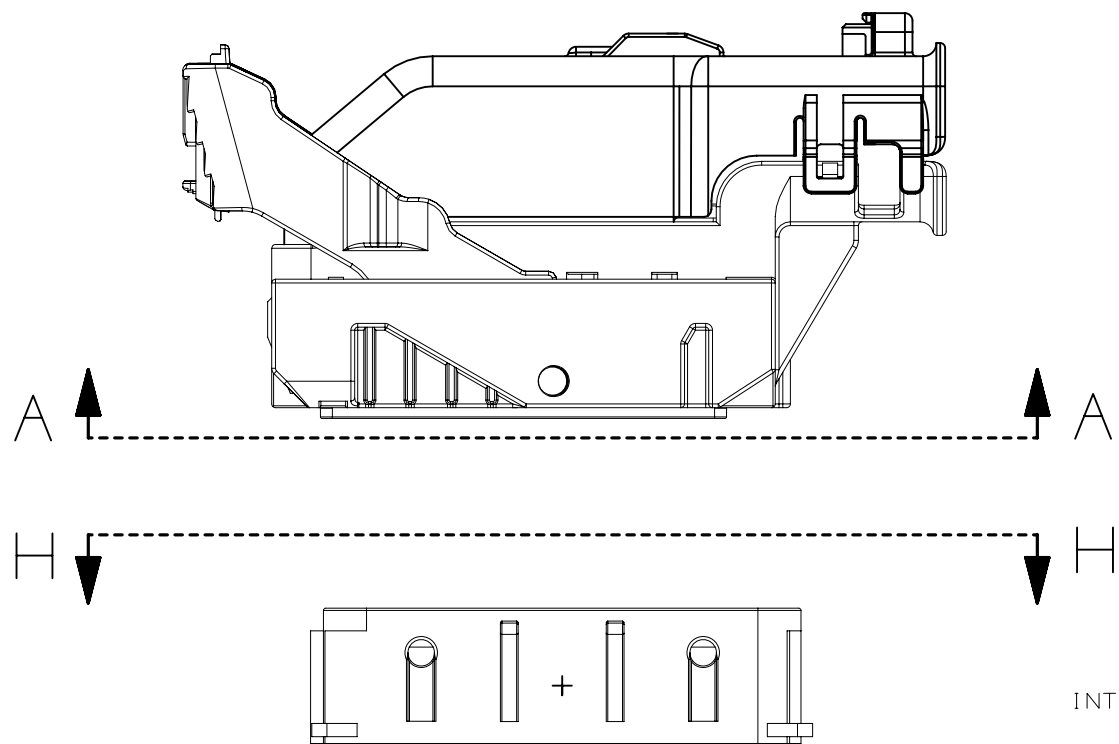


PAGE TITLE  
 LOCATION AND PACKAGING DIMENSIONS  
 REFERENCING INTERFACE DATUM A

DRAWING NUMBER  
 12642695

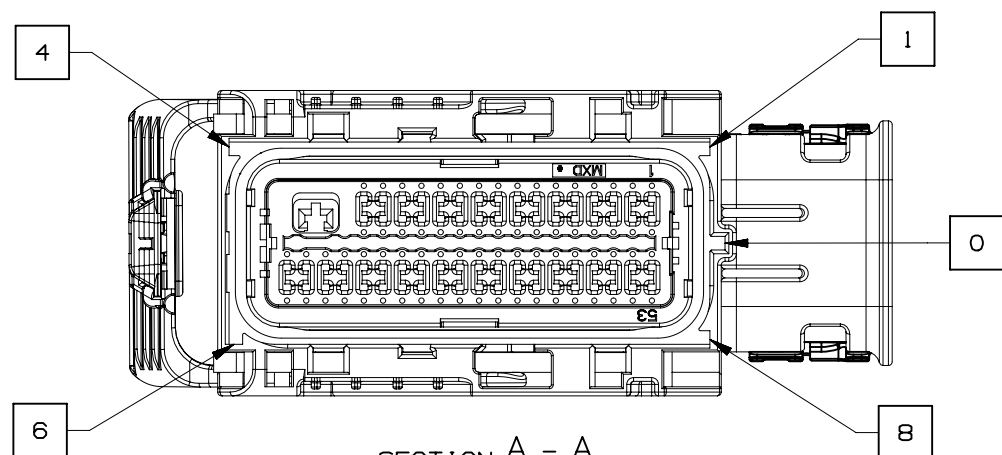
| DWG STATUS |     |     |
|------------|-----|-----|
| ST         | REV | PD1 |
| R          | 002 |     |

PAGE NUMBER  
 10 OF 21

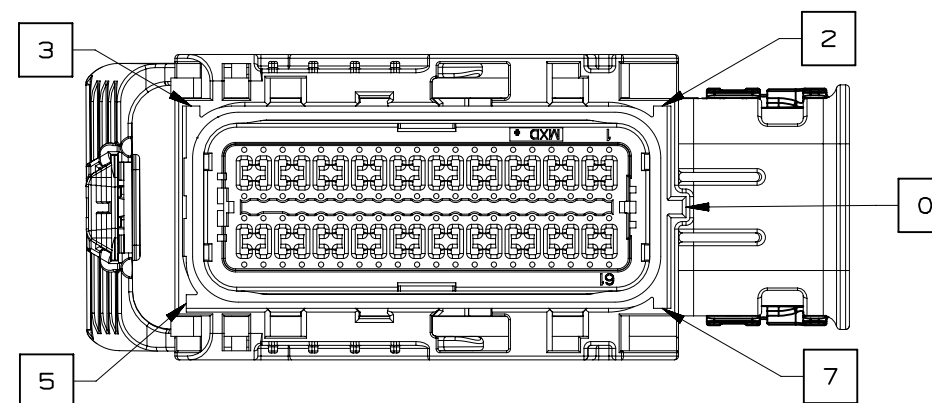


NOTE: REFERENCE THE COMPONENT TABLE FOR KEY OPTIONS AND CONFIGURATIONS

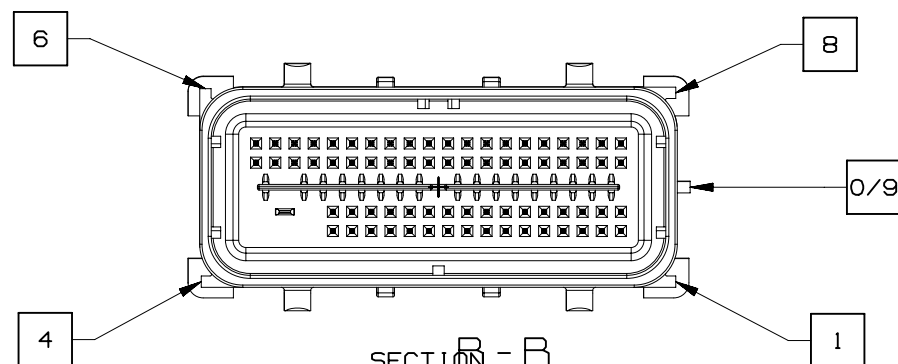
INTERFACE SIDE SHOWN ON ALL SECTION VIEWS



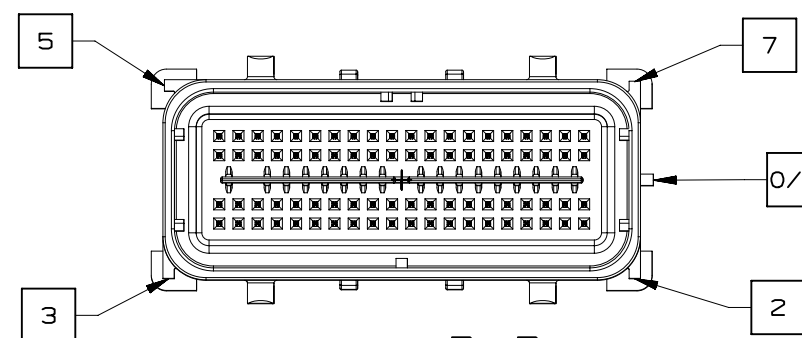
SECTION A - A  
KEY OPTION B SHOWN



SECTION A - A  
KEY OPTION K SHOWN



SECTION B - B  
KEY OPTION B SHOWN



SECTION B - B  
KEY OPTION K SHOWN

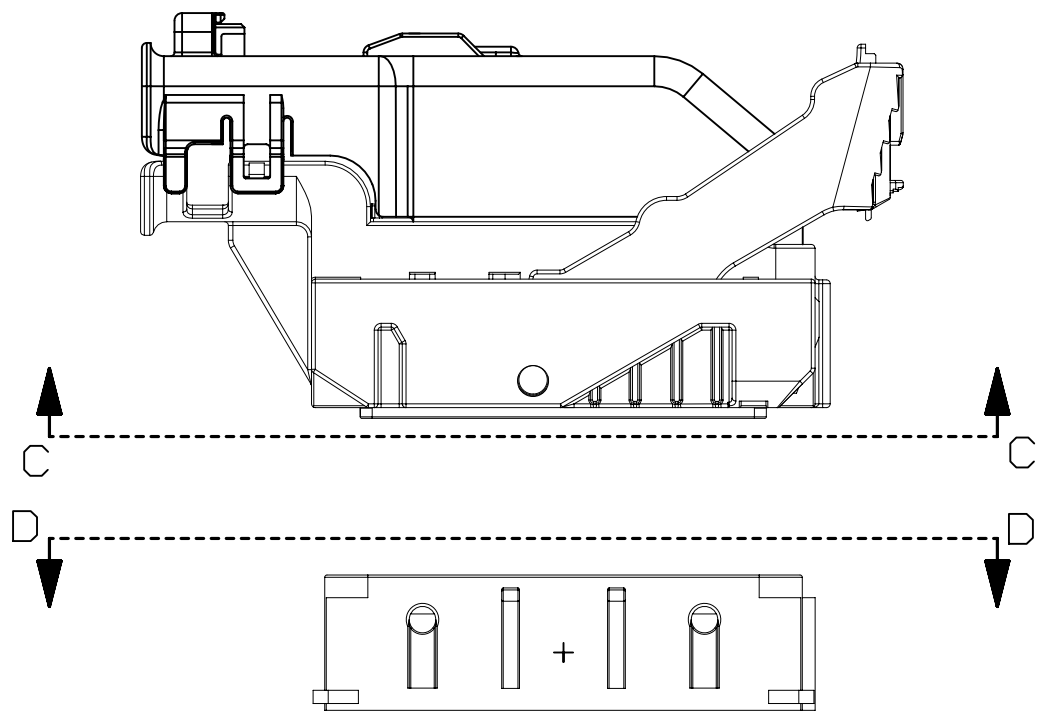


PAGE TITLE  
KEY ID REF - WIRE DRESS OPTION 0

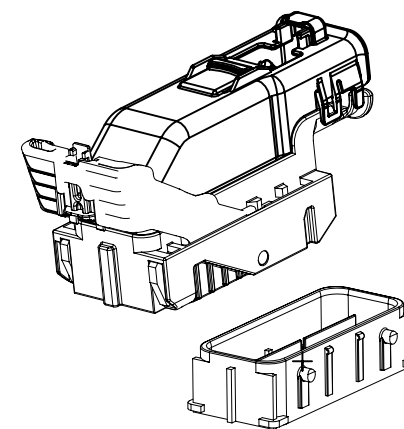
DRAWING NUMBER  
12642695

| DWG STATUS |     |     |
|------------|-----|-----|
| ST         | REV | PD1 |
| R          | 002 |     |

PAGE NUMBER  
11 OF 21

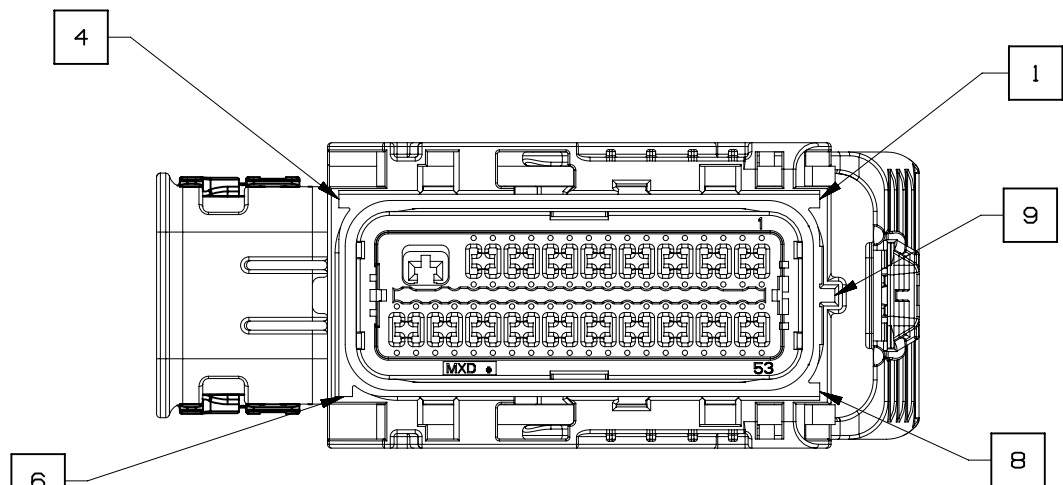


INTERFACE SIDE SHOWN ON ALL SECTION VIEWS

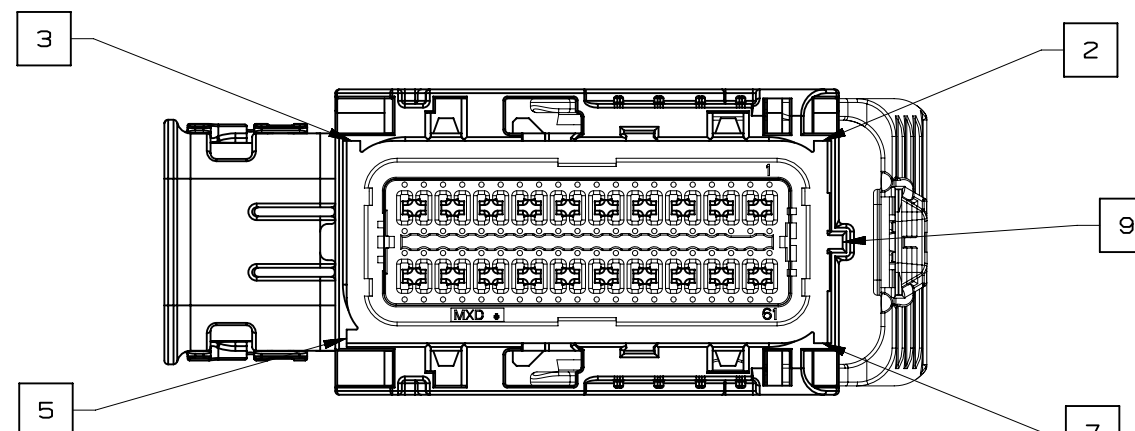


NOTE: REFERENCE THE COMPONENT TABLE FOR KEY OPTIONS AND CONFIGURATIONS

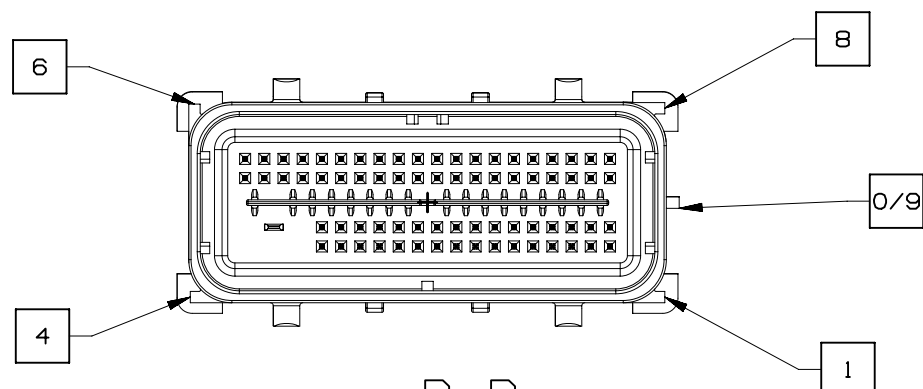
VIEW V



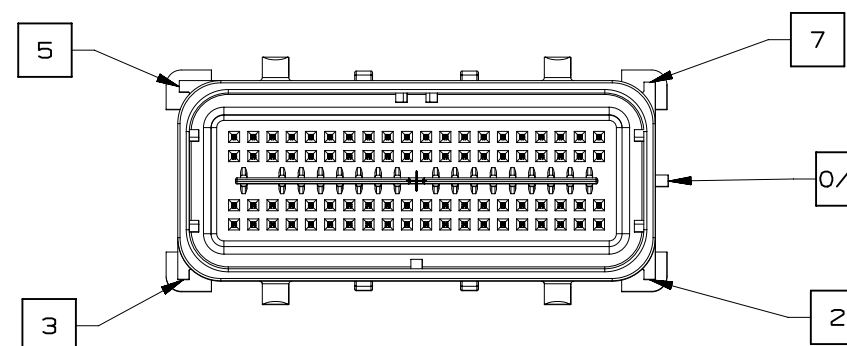
SECTION C-C  
KEY OPTION B SHOWN



SECTION C-C  
KEY OPTION K SHOWN



SECTION D-D  
KEY OPTION B SHOWN



SECTION D-D  
KEY OPTION K SHOWN

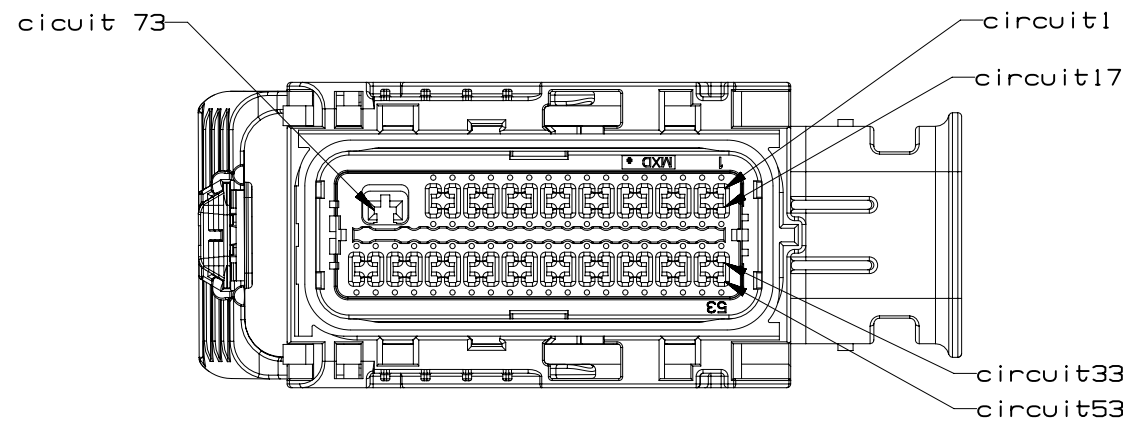


PAGE TITLE  
KEY ID REF - WIRE DRESS OPTION 9

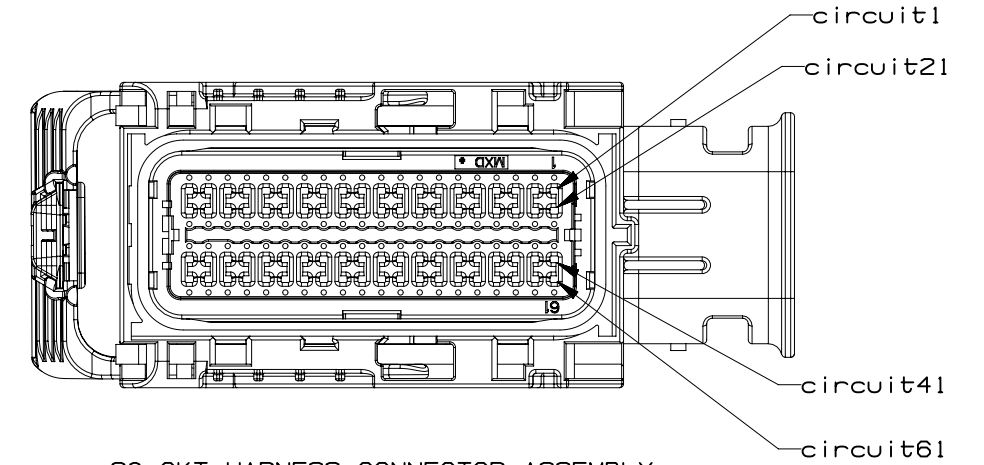
DRAWING NUMBER  
12642695

| DWG STATUS |     |     | PAGE NUMBER |
|------------|-----|-----|-------------|
| ST         | REV | PD1 |             |
| R          | 002 |     | 12 OF 21    |



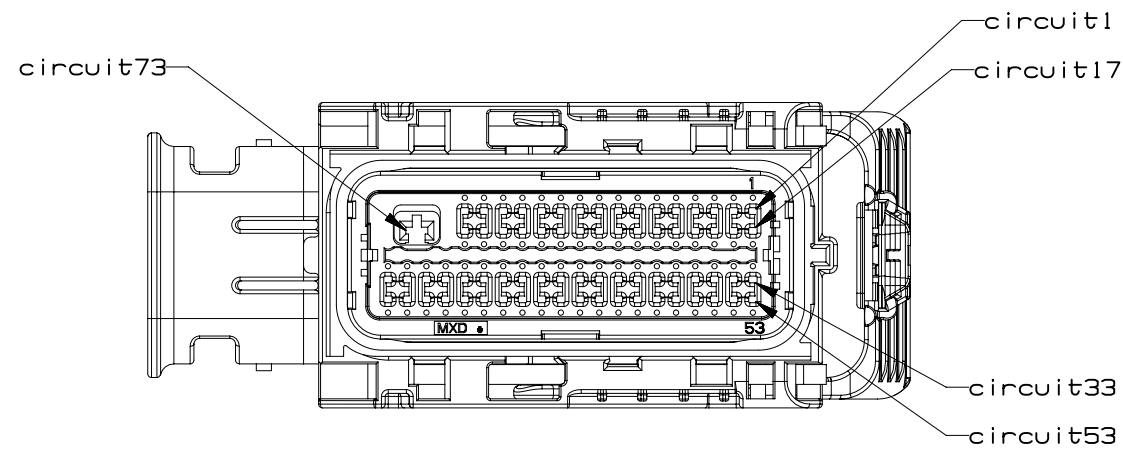


73 CKT HARNESS CONNECTOR ASSEMBLY  
WIRE DRESS OPTION 0

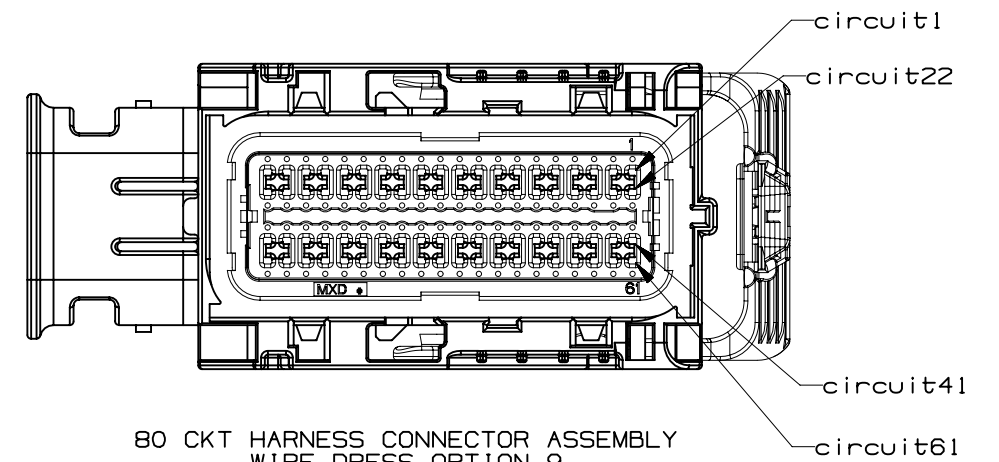


80 CKT HARNESS CONNECTOR ASSEMBLY  
WIRE DRESS OPTION 0

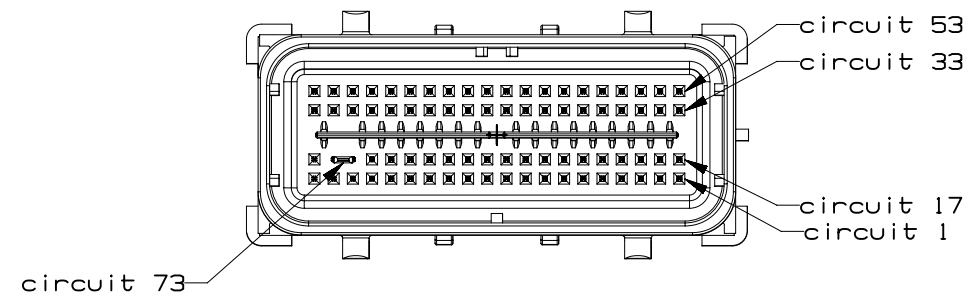
INTERFACE SIDE SHOWN ON ALL VIEWS



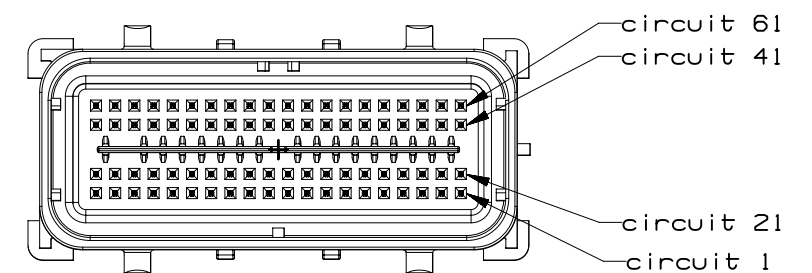
73 CKT HARNESS CONNECTOR ASSEMBLY  
WIRE DRESS OPTION 9



80 CKT HARNESS CONNECTOR ASSEMBLY  
WIRE DRESS OPTION 9

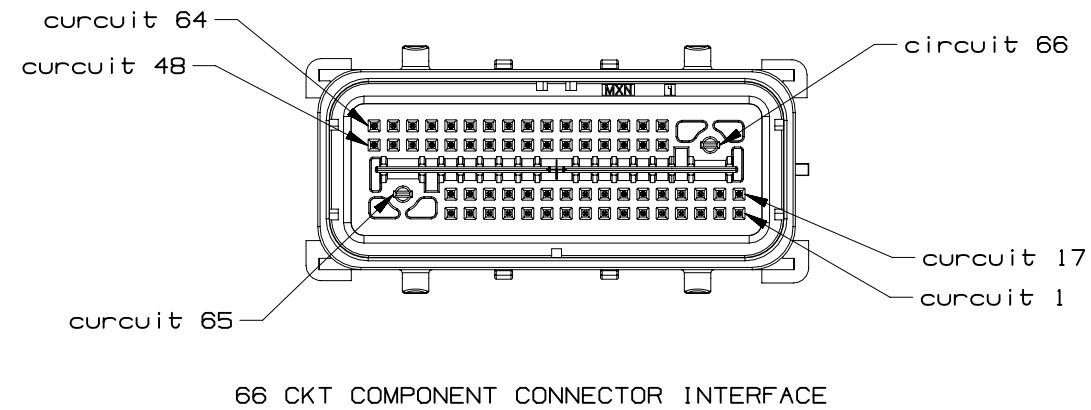
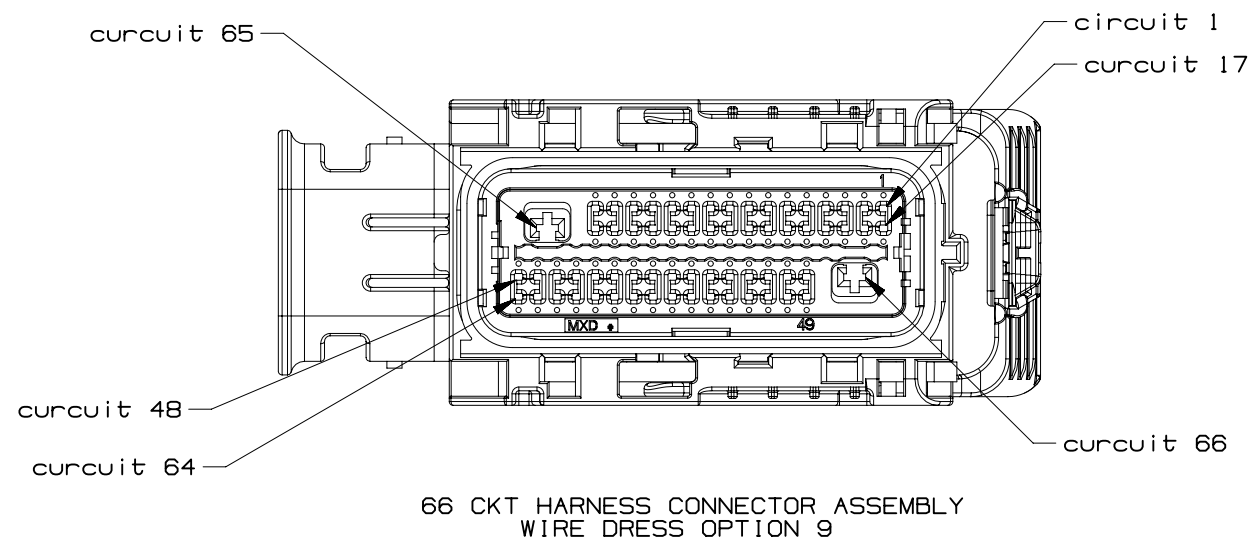
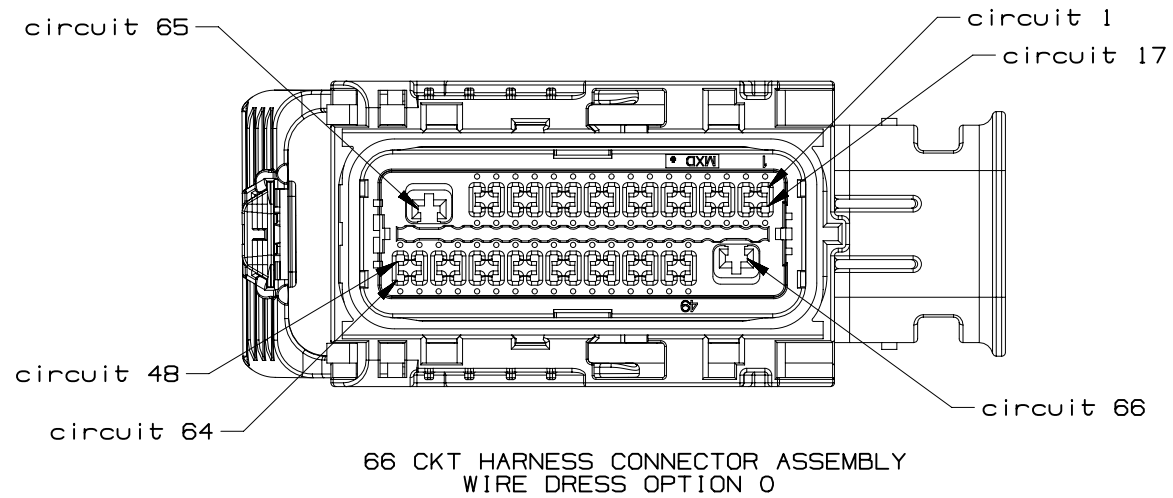


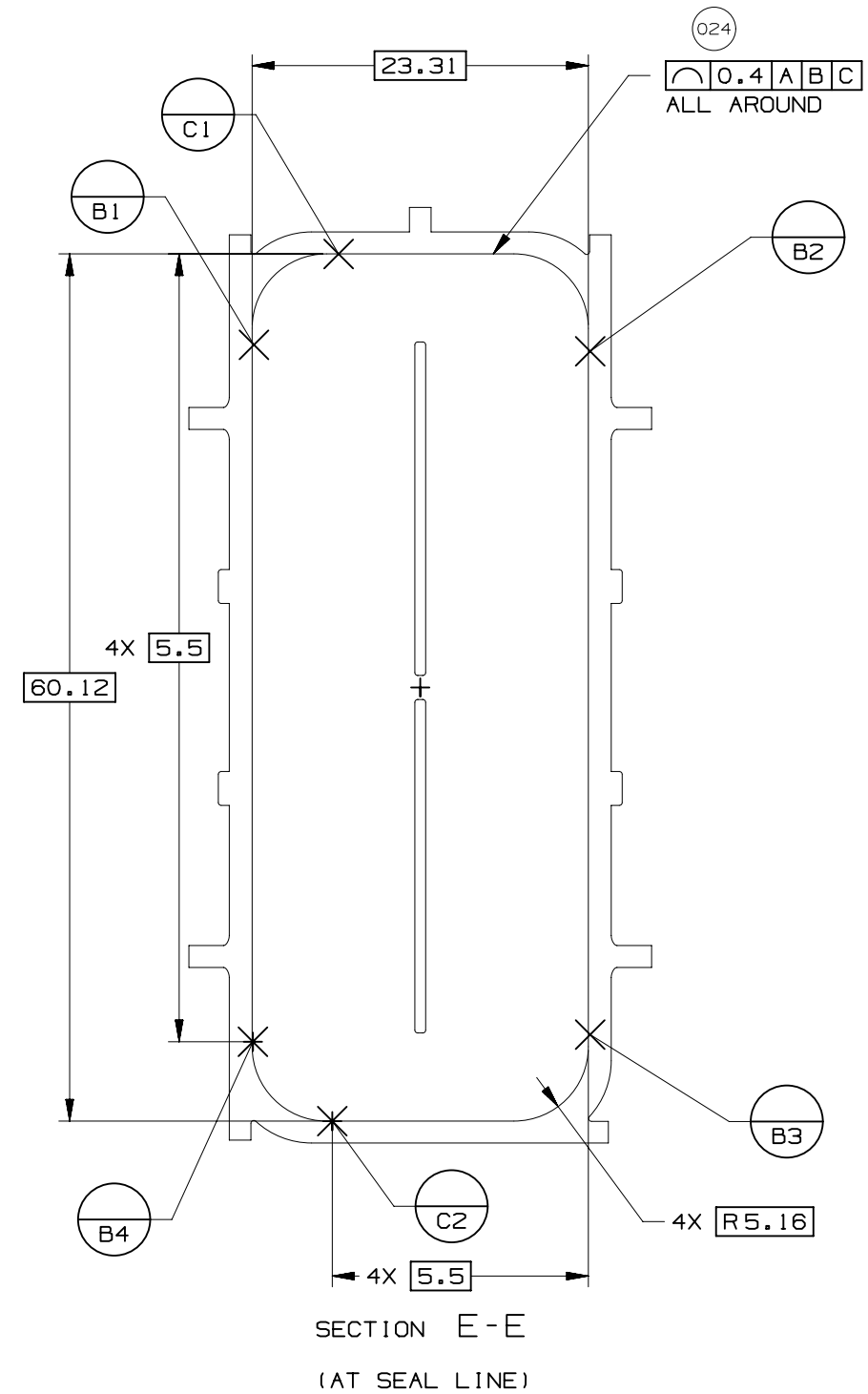
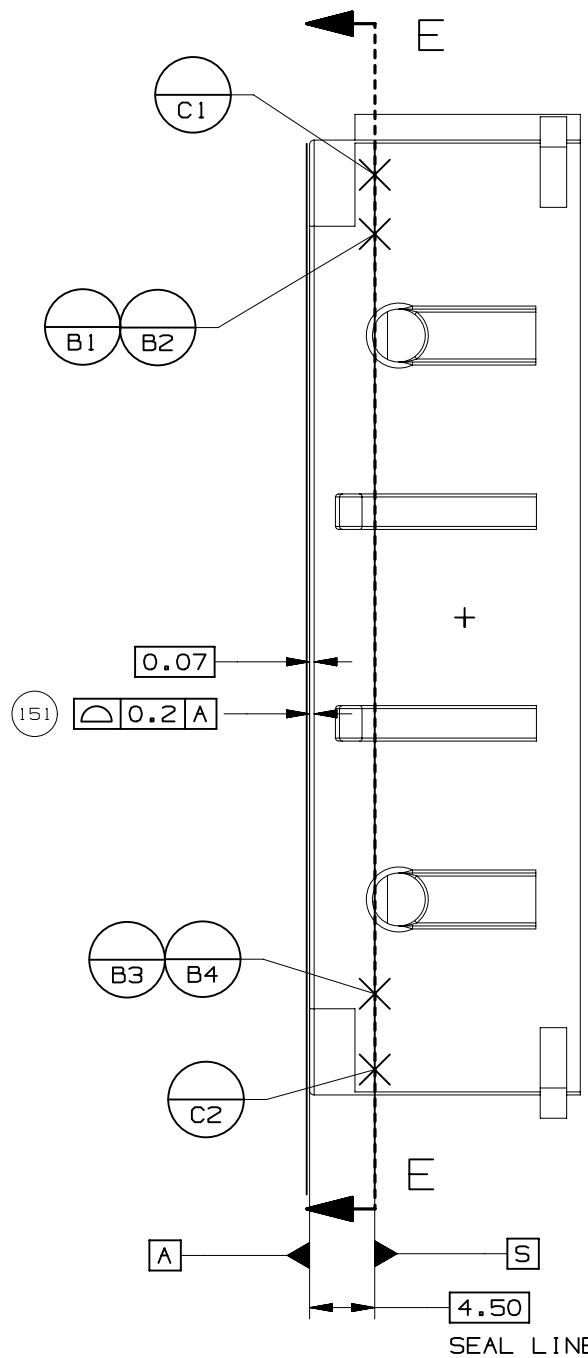
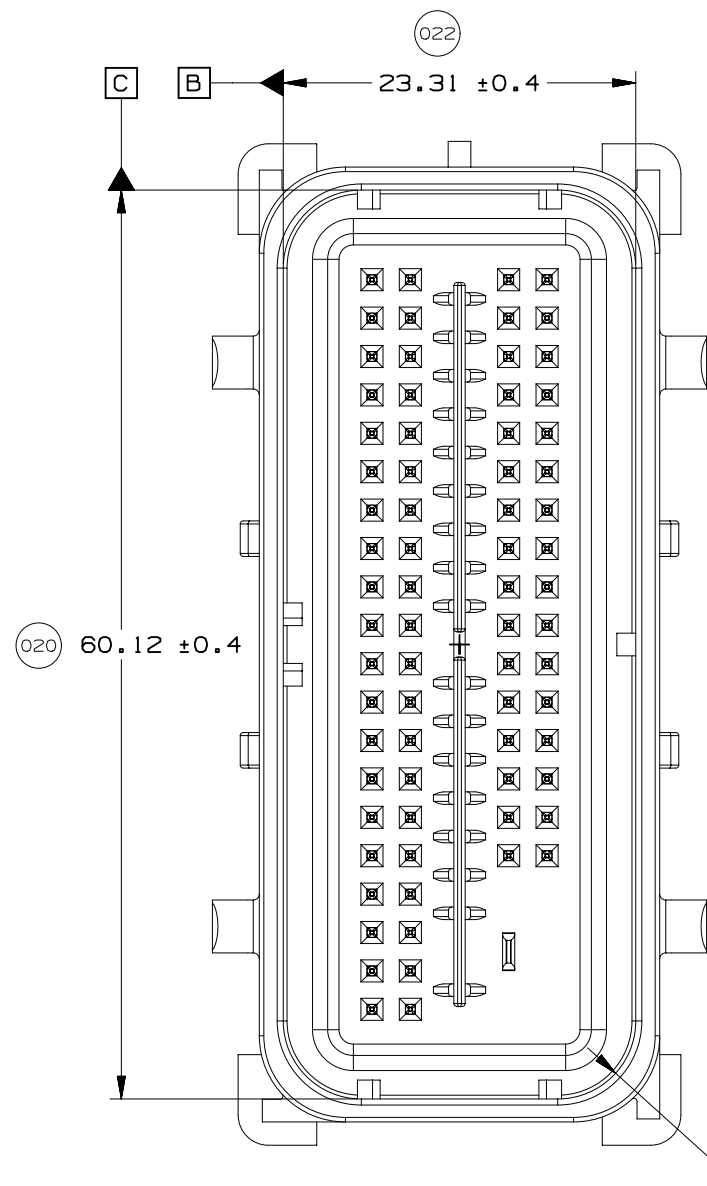
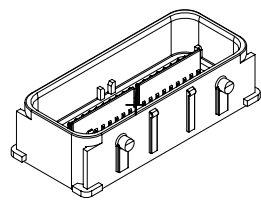
73 CKT COMPONENT CONNECTOR INTERFACE



80 CKT COMPONENT CONNECTOR INTERFACE







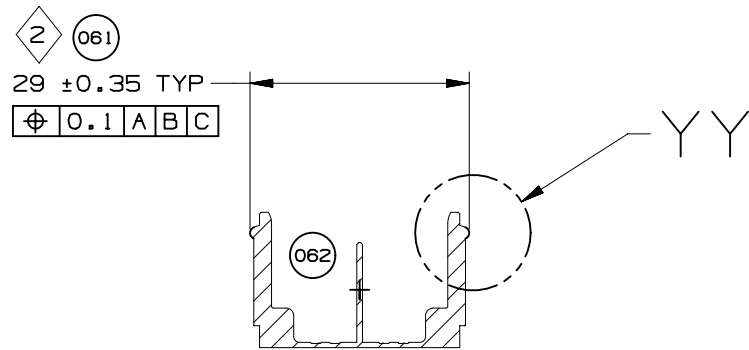
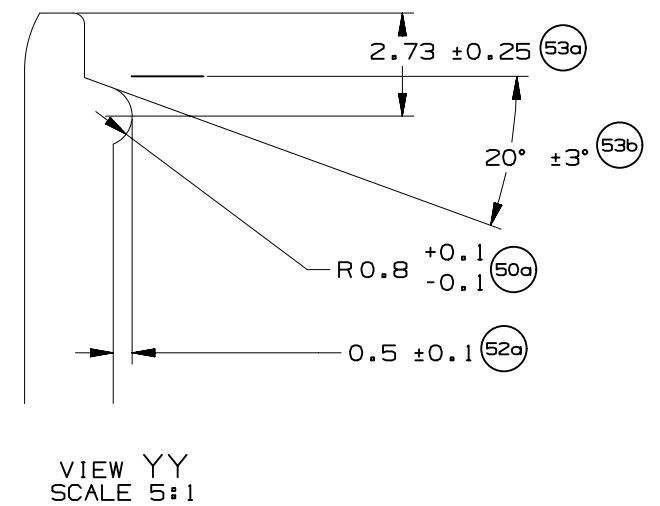
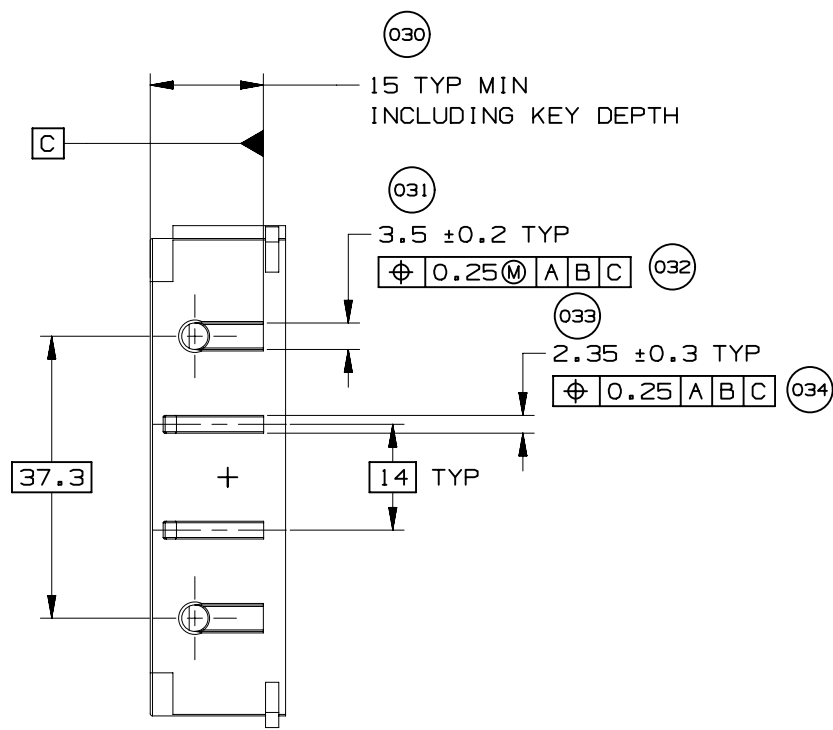
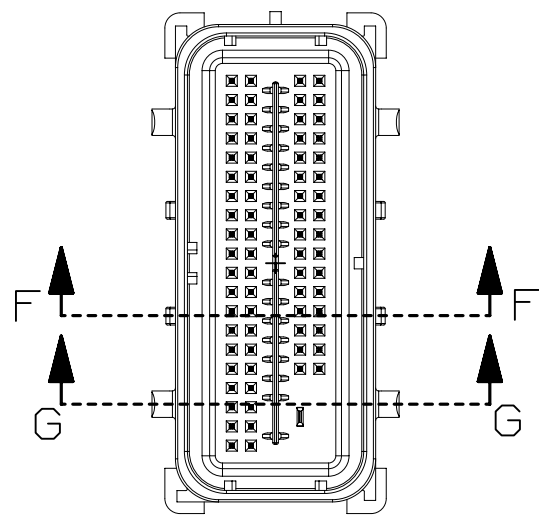
UNLESS SPECIFIED, TOLERANCE OF THE COMPONENT CONNECTOR INTERFACE TO BE  $\sqrt[0.13]{A B C}$



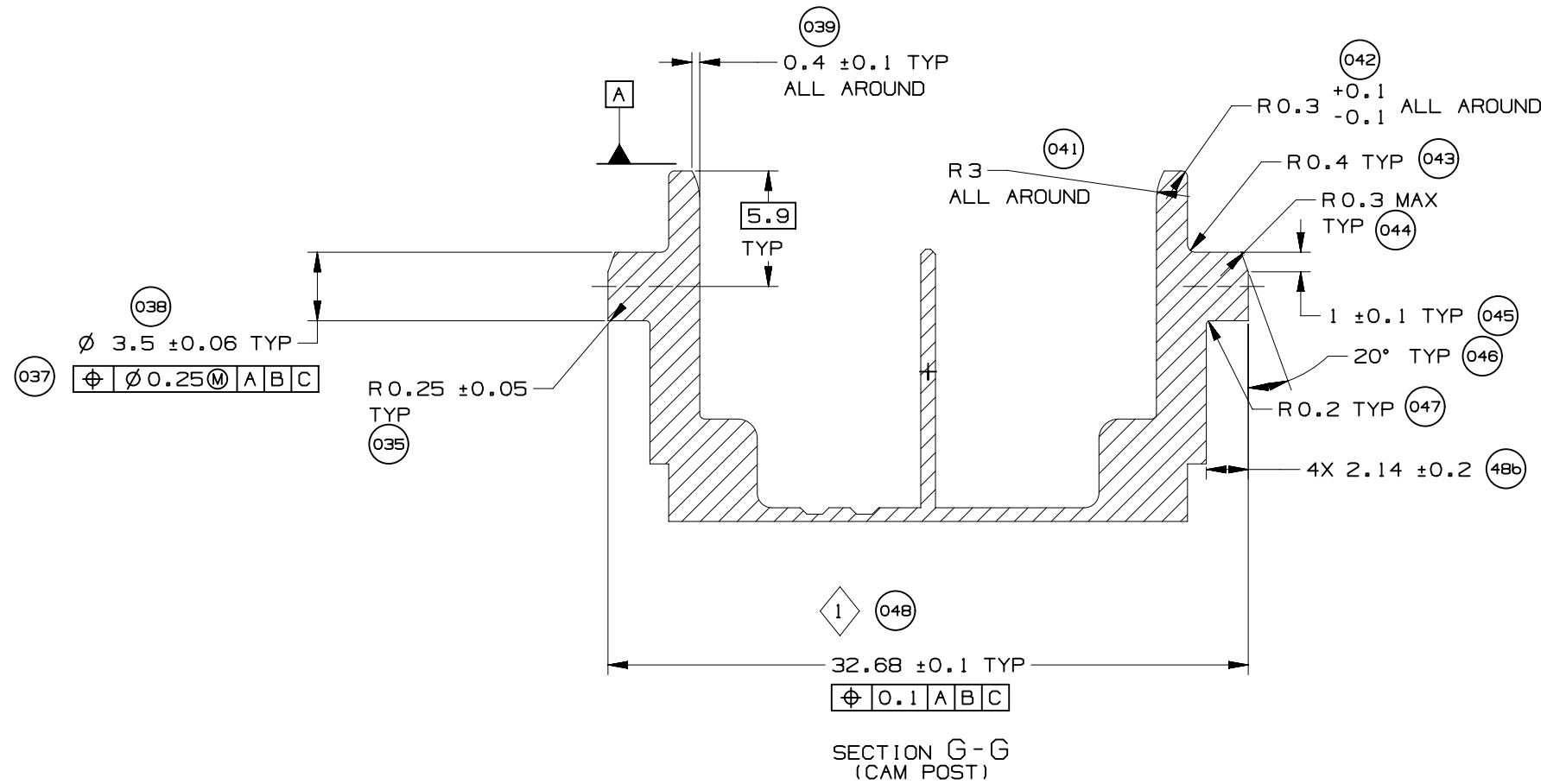
PAGE TITLE  
COMPONENT CONNECTOR INTERFACE

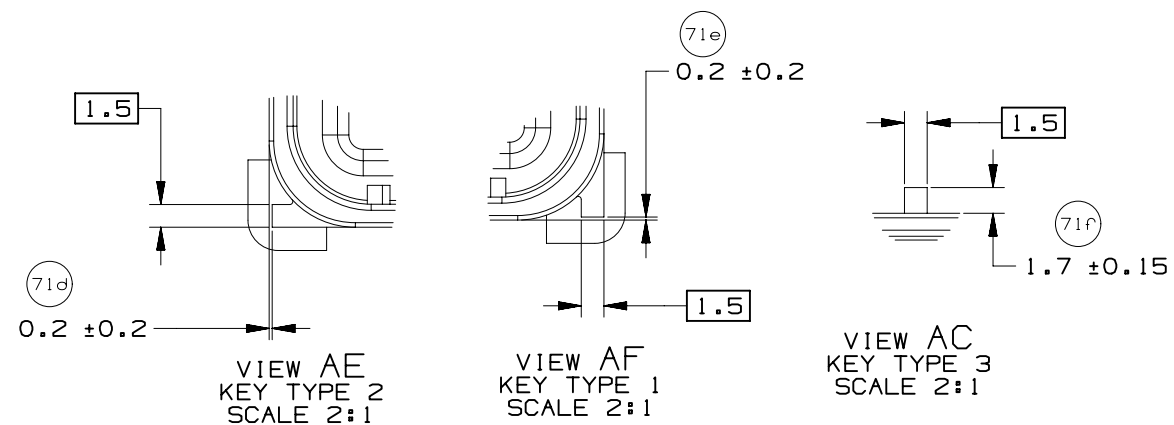
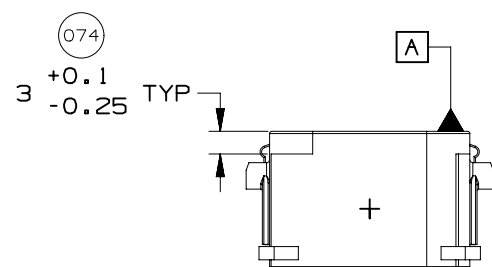
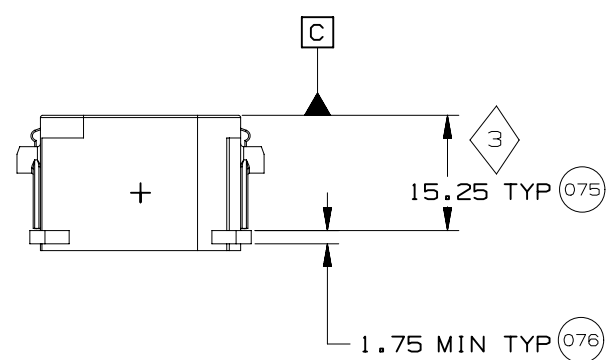
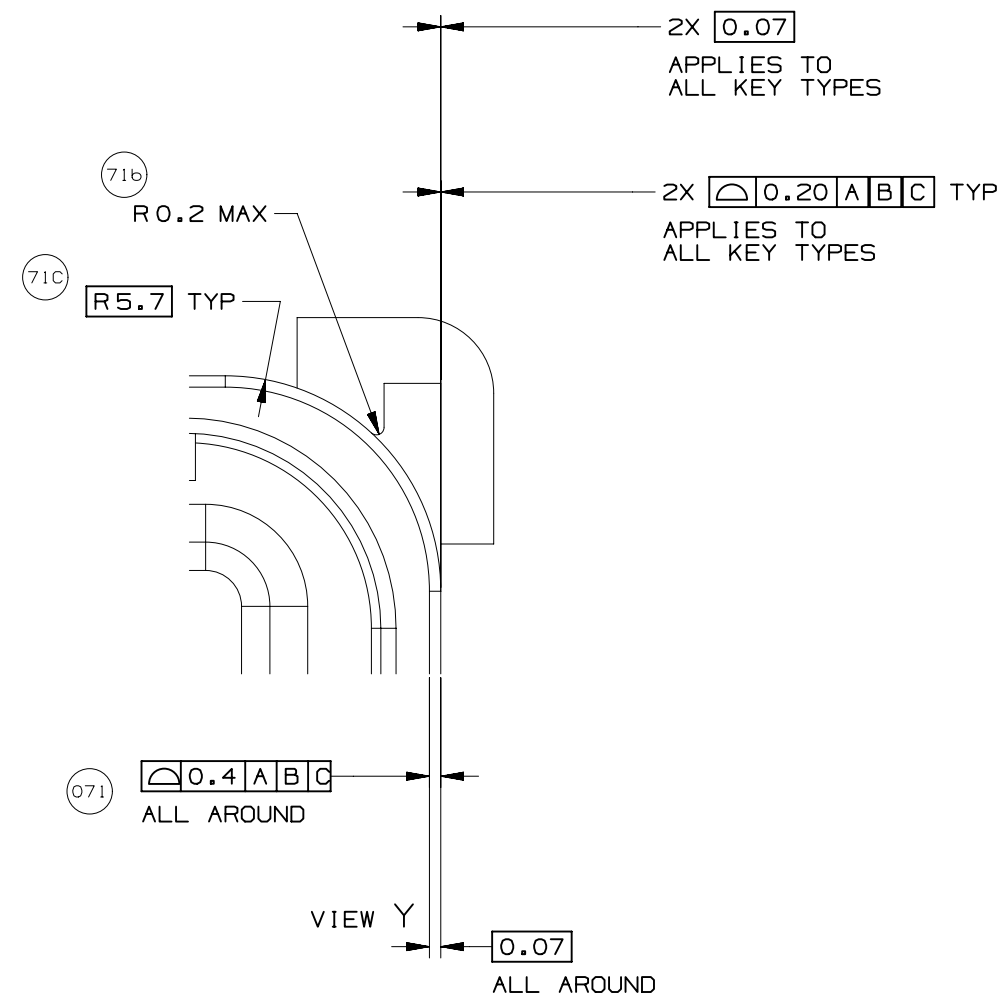
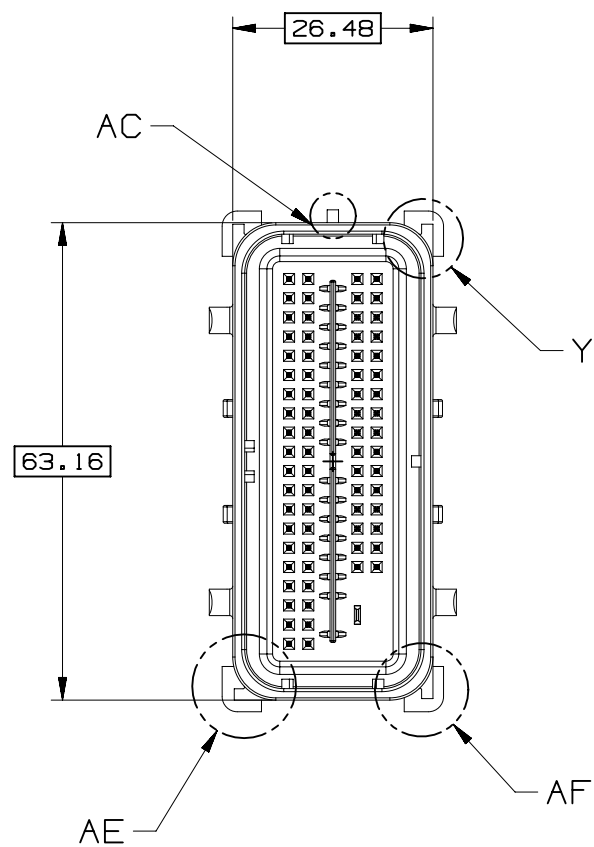
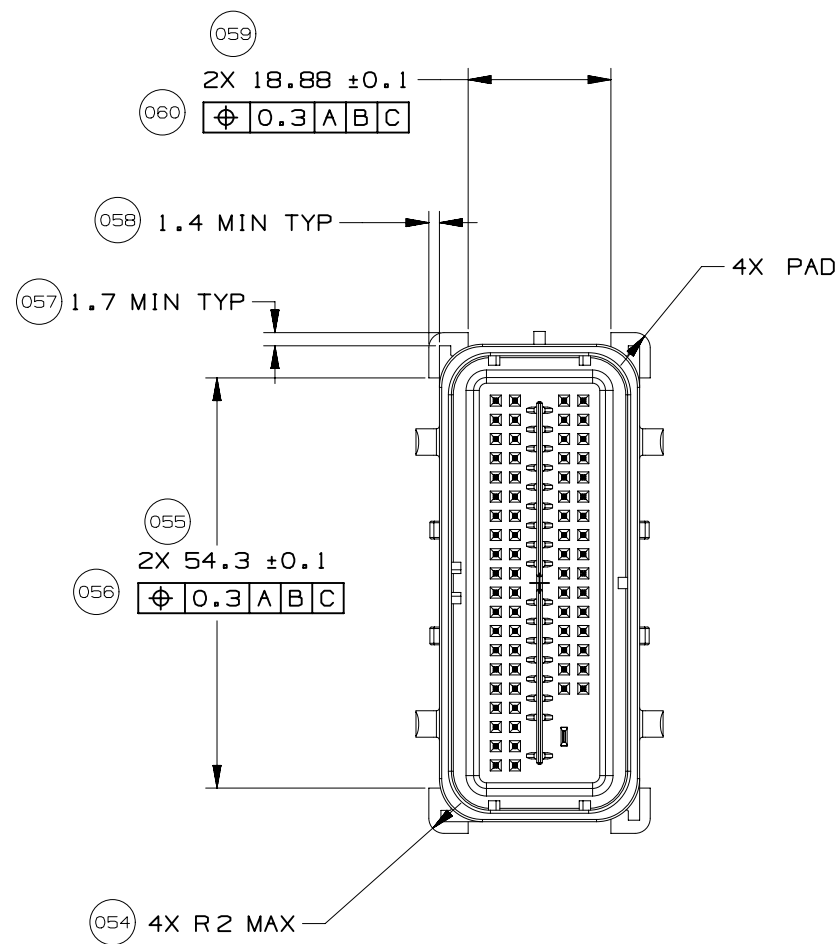
DRAWING NUMBER  
12642695

| DWG STATUS |     |     | PAGE NUMBER |
|------------|-----|-----|-------------|
| ST         | REV | PD1 |             |
| R          | 002 |     | 15 OF 21    |



SECTION F-F



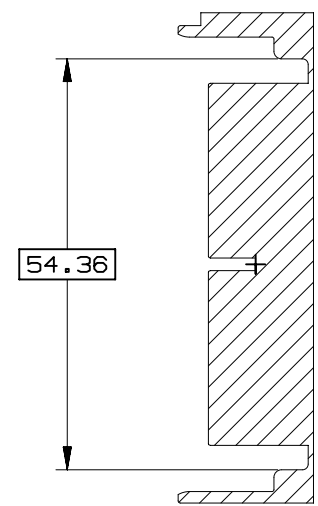
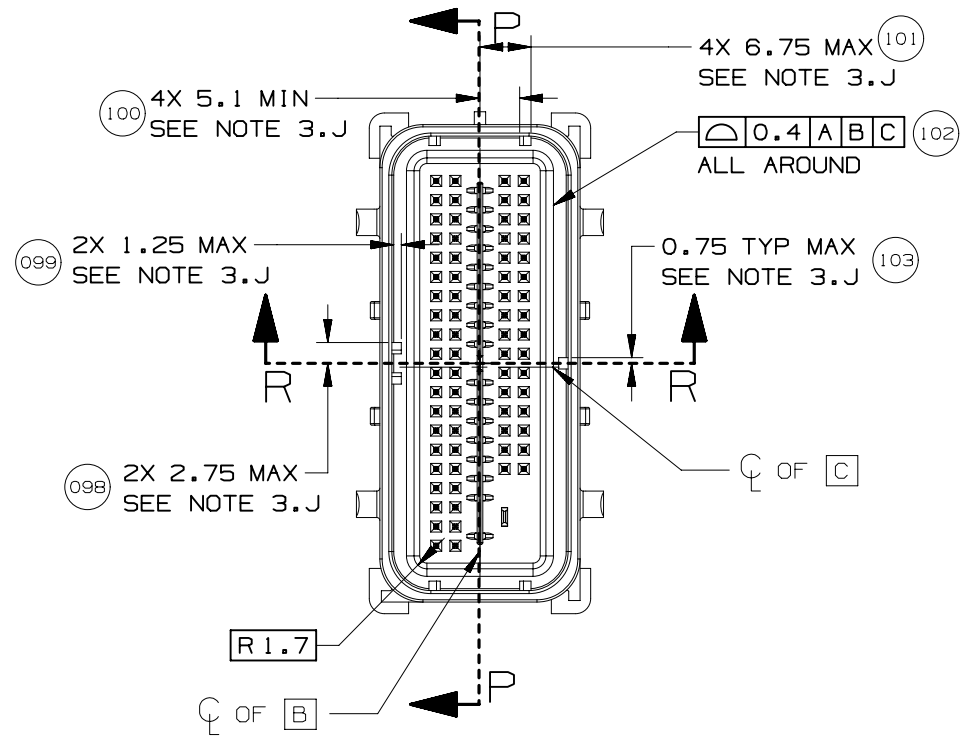


PAGE TITLE  
 COMPONENT CONNECTOR INTERFACE

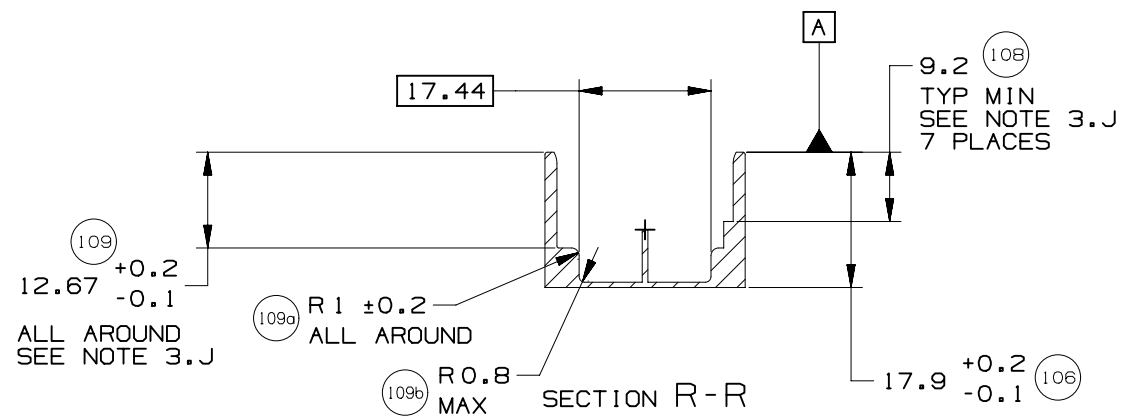
DRAWING NUMBER  
 12642695

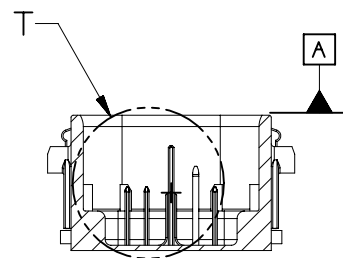
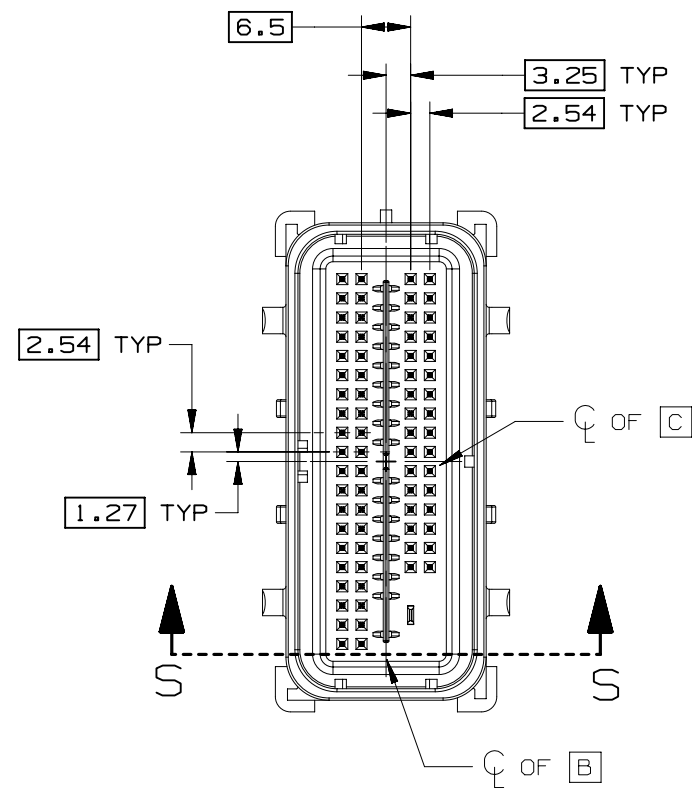
| DWG STATUS |     |     | PAGE NUMBER |       |
|------------|-----|-----|-------------|-------|
| ST         | REV | PD1 |             |       |
| R          | 002 |     | 17          | OF 21 |



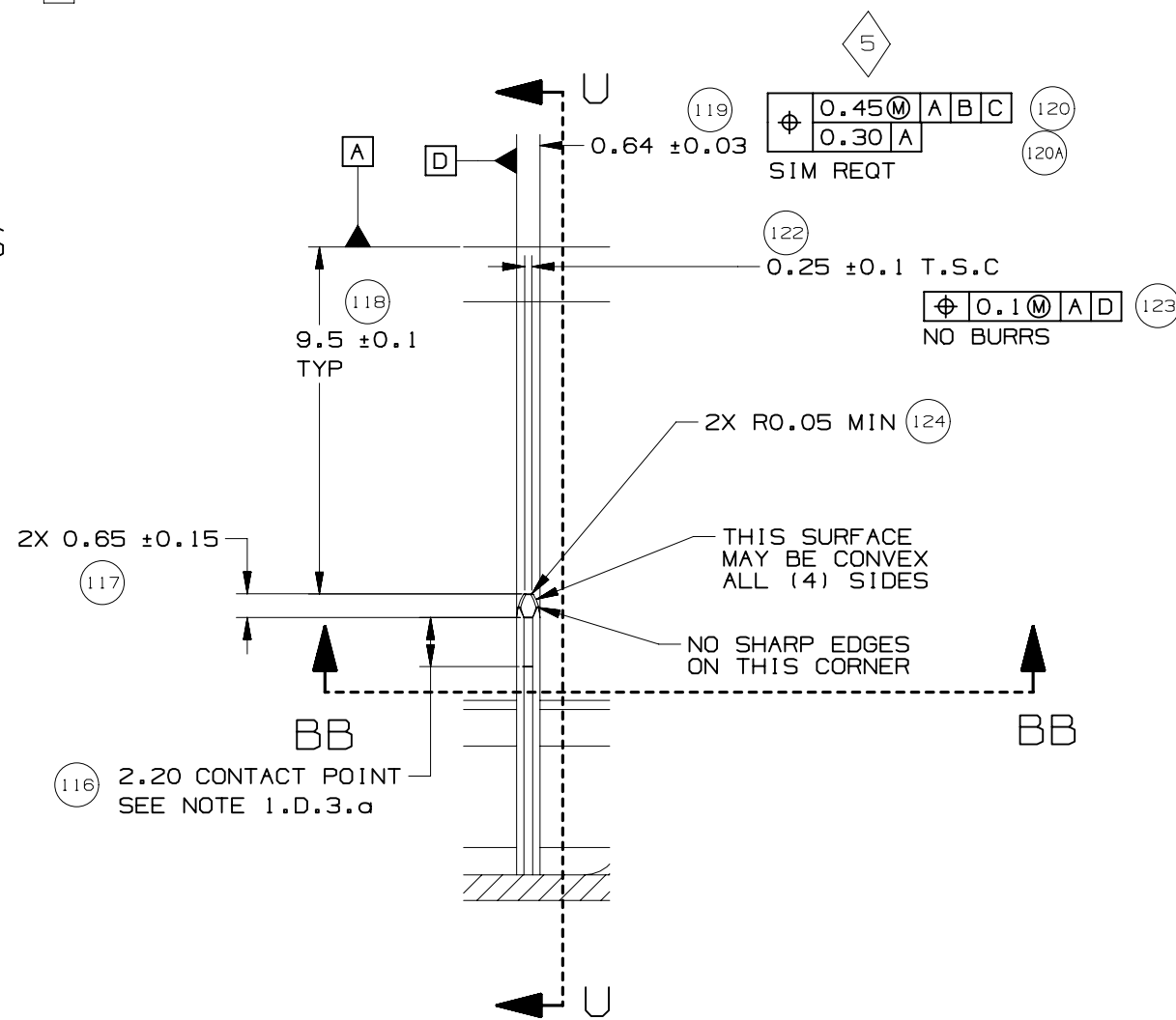


SECTION P-P

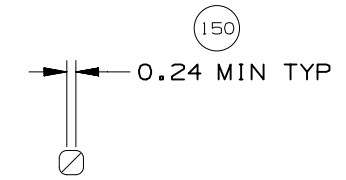




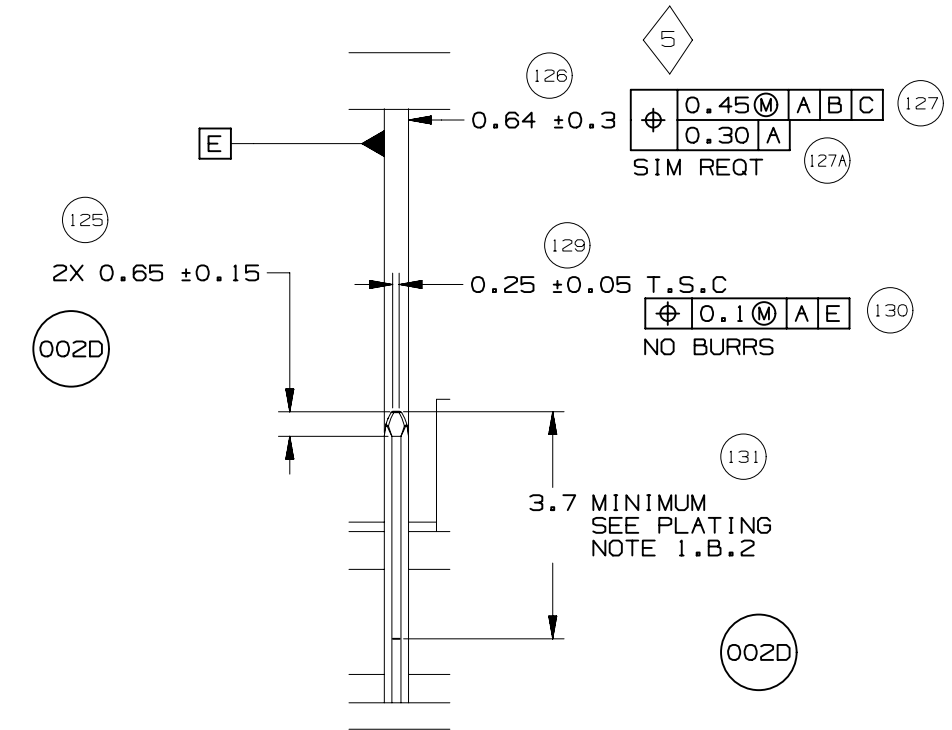
SECTION S-S



DETAIL T  
TYPICAL  
SCALE 5:1



SECTION BB-BB



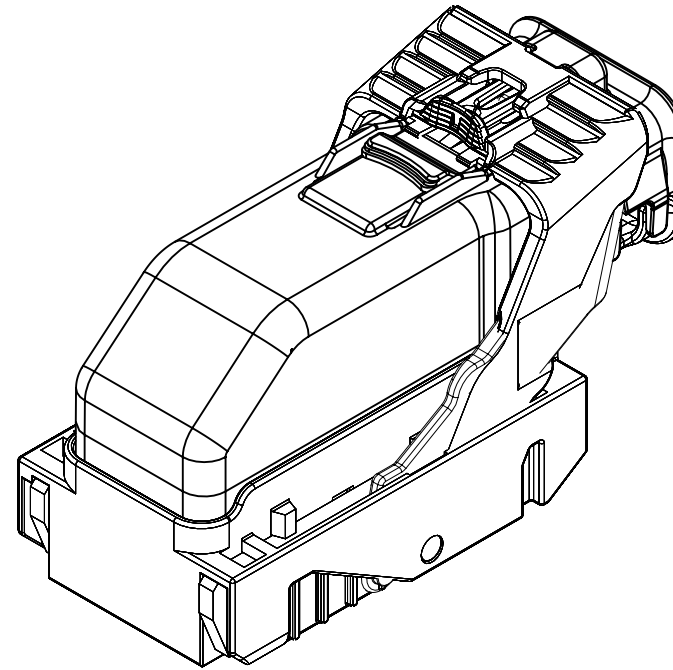
SECTION U-U




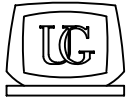




| INDEX   |      |
|---|------|
| PAGE TITLE  | PAGE |
| TITLE BLOCK   | 1    |
| REVISION BLOCK  | 2    |
| PART BLOCK  | 3    |
| KPC BLOCK   | 4    |
| COMPONENT TABLE   | 5    |
| NOTES   | 6    |
| NOTES   | 7    |
| WIRE DRESS PACKAGING DIMENSIONS   | 8    |
| LOCATION AND PACKAGING DIMENSIONS<br>REFERENCING INTERFACE DATUMS B & C | 9    |
| LOCATION AND PACKAGING DIMENSIONS<br>REFERENCING INTERFACE DATUM A      | 10   |
| KEY ID REF - WIRE DRESS OPTION 0  | 11   |
| KEY ID REF - WIRE DRESS OPTION 9  | 12   |
| CIRCUIT CONFIGURATIONS  | 13   |
| CIRCUIT CONFIGURATIONS  | 14   |
| COMPONENT CONNECTOR INTERFACE   | 15   |
| COMPONENT CONNECTOR INTERFACE   | 16   |
| COMPONENT CONNECTOR INTERFACE   | 17   |
| COMPONENT CONNECTOR INTERFACE   | 18   |
| COMPONENT CONNECTOR INTERFACE   | 19   |
| COMPONENT CONNECTOR INTERFACE   | 20   |
| COMPONENT CONNECTOR INTERFACE   | 21   |




ISO VIEW

|   |   |                                     |   |  |
|---|---|-------------------------------------|---|--|
|  | <p><b>UNLESS OTHERWISE SPECIFIED:</b> THIS DOCUMENT IS IN ACCORDANCE WITH ASME Y14.5M-1994 AS AMMENDED BY THE GM GLOBAL DIMENSIONING AND TOLERANCING ADDENDUM-1997. ALL GEOMETRIC TOLERANCES AND RELATED DATUMS APPLY RFS. RULE #1 (PERFECT FORM AT MMC) DOES NOT APPLY WHEN A RELATIONSHIP BETWEEN FEATURES IS ESTABLISHED BY ORIENTATION OR LOCATION TOLERANCES. SEPARATE POSITION CALLOUTS MAY BE GAGED SEPARATELY REGARDLESS OF DATUM REFERENCES.</p> |                                     |   | DATE                                       |
|   | <br>CHANGE RESTRICTED<br>NO MANUAL CHANGES   | REFERENCE<br>12H (MOLEX AUTOMOTIVE) | DRAFTER J SZYMKOWSKI<br>APVD1 D PFAFFINGER<br>APVD2 B BURT<br>APVD3<br>APVD4<br>APVD5 | 22DE05<br>22DE05<br>22DE05<br><br><br><br> |
| DO NOT SCALE  | DRAWING NAME<br>HARNESS CONN ASM<br>66/73/80 CKTS   |                                     |   |  |
| METRIC<br>DIMENSIONS SHOWN IN<br>MILLIMETERS UNLESS<br>OTHERWISE SPECIFIED            | DRAWING NUMBER<br>12642695  |                                     | DWG STATUS<br>ST REV PDI<br>R 002   |  |
|   |   |                                     | PAGE NUMBER<br>1 OF 21  |  |

| PAGE | DWG STATUS |    |     |     |     | REVISION HISTORY   | AUTH   | DR  | CK  | ENG |
|------|------------|----|-----|-----|-----|--|--------|-----|-----|-----|
|      | DATE       | ST | REV | CHG | PDI |  |        |     |     |     |
|      | 19DE11     | R  | 001 |     |     | RELEASED TO PRODUCTION AT DLS A  | CRMRJB | SC  | MRO | GF  |
| 3    | 08MY15     | R  | 002 | A   |     | REORDERED PART BLOCK AND ADDED MASS<br>CORRECTED P/N TYPO FROM 12562676<br>TO 12582676 |        |     |     |     |
| 3, 5 |            | R  | 002 | B   |     | ADDED 12659312, 12659313, 12653574 AND<br>12653575                                     |        |     |     |     |
| 6    |            | R  | 002 | C   |     | REMOVED NOTE 1 . D . 3 . C   |        |     |     |     |
| 20   |            | R  | 002 | D   |     | DIM 125 WAS 3.25<br>DIM 131 WAS 5.5  | CRMRJD | DFK | MRO | GF  |

| PAGE | DWG STATUS |    |     |     |     | REVISION HISTORY | AUTH | DR | CK | ENG |
|------|------------|----|-----|-----|-----|------------------|------|----|----|-----|
|      | DATE       | ST | REV | CHG | PDI |                  |      |    |    |     |

|   |                |                |            |    |     |             |         |
|---|----------------|----------------|------------|----|-----|-------------|---------|
|  | PAGE TITLE     | DRAWING NUMBER | DWG STATUS |    |     | PAGE NUMBER |         |
|   | REVISION BLOCK |                | 12642695   | ST | REV | PDI         | 2 OF 21 |
|   |                |                |            | R  | 002 |             |         |



KEY PRODUCT CHARACTERISTICS  
(IN ACCORDANCE WITH QN 1805 OR ON 1050)



SAFETY/COMPLIANCE

TOTAL ON  
DRAWING

5



FIT/FUNCTION

LAST NO.  
USED

5

| NO | TYPE | DESCRIPTION                     | RATIONALE                           | PAGE/ZONE |
|----|------|---------------------------------|-------------------------------------|-----------|
| 1  | F/F  | 32.68                           | IMPROVE CONNECTOR SYSTEM MATING     | 15        |
| 2  | F/F  | 29.00                           | INSURE PROPER RELEASE OF LEVER      | 15        |
| 3  | F/F  | 15.25                           | INSURE FINAL MATE POSITION          | 16        |
| 5  | F/F  | POSITIONAL TOLERANCE (2 PLACES) | INSURE CONNECTOR SYSTEM MATEABILITY | 19        |



PAGE TITLE  
KPC BLOCK

DRAWING NUMBER

12642695

DWG STATUS

|    |     |     |
|----|-----|-----|
| ST | REV | PD1 |
|----|-----|-----|

|   |     |  |
|---|-----|--|
| R | 002 |  |
|---|-----|--|

PAGE NUMBER

4 OF 21

| LINE | MFG.   | MFG. P/N     | GM P/N   | EFFECTIVE DATE | APPLICABLE COMPONENTS   | KEY OPTION | WIRE DRESS OPTION | KEY CONFIG. | COLOR   | STATUS     |
|------|--------|--------------|----------|----------------|---|------------|-------------------|-------------|---------|------------|
|      |        |              |          |                | DESCRIPTION   |            |                   |             |         |            |
| -    |        |              |          |                |   |            |                   |             |         |            |
| 1    | MOLEX  | 34565-0003   | 12582676 | 02JN03         | MX123 DRESS COVER 66/73/80 CKT  | N/A        | N/A               | N/A         | BLACK   | AVAILABLE  |
| 2    | MOLEX  | 34822-0013   | 12642692 | 01SP13         | MX123 HRNS CONN ASSY 66 CKT   | A          | 0                 | 1458        | BLACK   | AVAILABLE  |
| 3    | MOLEX  | 34822-0033   | 12659312 | 01SP13         | MX123 HRNS CONN ASSY 66 CKT   | C          | 0                 | 2467        | BLUE    | AVAILABLE  |
| 4    | MOLEX  | 34822-0023   | 12642693 | 01SP13         | MX123 HRNS CONN ASSY 66 CKT   | A          | 9                 | 1458        | BLACK   | AVAILABLE  |
| 5    | MOLEX  | 34822-0043   | 12659313 | 01SP13         | MX123 HRNS CONN ASSY 66 CKT   | C          | 9                 | 2467        | BLUE    | AVAILABLE  |
| 6    | MOLEX  | 34566-0103   | 12582677 | 11JN04         | MX123 HRNS CONN ASSY 73 CKT   | A          | 0                 | 1458        | BLACK   | AVAILABLE  |
| 7    | MOLEX  | 34566-0203   | 12582678 | 11JN04         | MX123 HRNS CONN ASSY 73 CKT   | B          | 0                 | 1468        | ST GRAY | AVAILABLE  |
| 8    | MOLEX  | 34566-0303   | 12615654 | 09AP08         | MX123 HRNS CONN ASSY 73 CKT   | C          | 0                 | 2467        | BLUE    | AVAILABLE  |
| 9    | MOLEX  | 34566-0403   | 12647268 | T.B.D          | MX123 HRNS CONN ASSY 73 CKT   | D          | 0                 | 2367        | BROWN   | NOT ACTIVE |
| 10   | MOLEX  | 34566-0503   | AMJ28633 | T.B.D          | MX123 HRNS CONN ASSY 73 CKT   | E          | 0                 | 2468        | GREEN   | NOT ACTIVE |
| 11   | MOLEX  | 34566-0603   | 12653574 | 05DC14         | MX123 HRNS CONN ASSY 73 CKT   | F          | 0                 | 1357        | NATURAL | AVAILABLE  |
| 12   | MOLEX  | 34566-0703   | 12588057 | 09AP08         | MX123 HRNS CONN ASSY 80 CKT   | G          | 0                 | 1358        | BLUE    | AVAILABLE  |
| 13   | MOLEX  | 34566-0803   | 12588058 | 11JN04         | MX123 HRNS CONN ASSY 80 CKT   | H          | 0                 | 2458        | ST GRAY | AVAILABLE  |
| 14   | MOLEX  | 34566-0903   | 12615656 | T.B.D          | MX123 HRNS CONN ASSY 80 CKT   | J          | 0                 | 2457        | BLACK   | NOT ACTIVE |
| 15   | MOLEX  | 34566-1003   | AMJ28595 | T.B.D          | MX123 HRNS CONN ASSY 80 CKT   | K          | 0                 | 2357        | BROWN   | NOT ACTIVE |
| 16   | MOLEX  | 34566-1103   | AMJ29057 | T.B.D          | MX123 HRNS CONN ASSY 80 CKT   | L          | 0                 | 2368        | GREEN   | NOT ACTIVE |
| 17   | MOLEX  | 34566-1203   | AMJ28669 | T.B.D          | MX123 HRNS CONN ASSY 80 CKT   | M          | 0                 | 2358        | NATURAL | NOT ACTIVE |
| 18   | MOLEX  | 34566-1303   | 12603596 | 11JN04         | MX123 HRNS CONN ASSY 73 CKT   | A          | 9                 | 1458        | BLACK   | AVAILABLE  |
| 19   | MOLEX  | 34566-1403   | 12603597 | 11JN04         | MX123 HRNS CONN ASSY 73 CKT   | B          | 9                 | 1468        | ST GRAY | AVAILABLE  |
| 20   | MOLEX  | 34566-1503   | 12615655 | 09AP08         | MX123 HRNS CONN ASSY 73 CKT   | C          | 9                 | 2467        | BLUE    | AVAILABLE  |
| 21   | MOLEX  | 34566-1603   | 12647269 | T.B.D          | MX123 HRNS CONN ASSY 73 CKT   | D          | 9                 | 2367        | BROWN   | NOT ACTIVE |
| 22   | MOLEX  | 34566-1703   | AMJ28698 | T.B.D          | MX123 HRNS CONN ASSY 73 CKT   | E          | 9                 | 2468        | GREEN   | NOT ACTIVE |
| 23   | MOLEX  | 34566-1803   | 12653575 | 05DC14         | MX123 HRNS CONN ASSY 73 CKT   | F          | 9                 | 1357        | NATURAL | AVAILABLE  |
| 24   | MOLEX  | 34566-1903   | 12603598 | 09AP08         | MX123 HRNS CONN ASSY 80 CKT   | G          | 9                 | 1358        | BLUE    | AVAILABLE  |
| 25   | MOLEX  | 34566-2003   | 12603599 | 11JN04         | MX123 HRNS CONN ASSY 80 CKT   | H          | 9                 | 2458        | ST GRAY | AVAILABLE  |
| 26   | MOLEX  | 34566-2103   | 12615657 | T.B.D          | MX123 HRNS CONN ASSY 80 CKT   | J          | 9                 | 2457        | BLACK   | NOT ACTIVE |
| 27   | MOLEX  | 34566-2203   | AMJ29117 | T.B.D          | MX123 HRNS CONN ASSY 80 CKT   | K          | 9                 | 2357        | BROWN   | NOT ACTIVE |
| 28   | MOLEX  | 34566-2303   | AMJ29136 | T.B.D          | MX123 HRNS CONN ASSY 80 CKT   | L          | 9                 | 2368        | GREEN   | NOT ACTIVE |
| 29   | MOLEX  | 34566-2403   | AMJ29214 | T.B.D          | MX123 HRNS CONN ASSY 80 CKT   | M          | 9                 | 2358        | NATURAL | NOT ACTIVE |
| 30   | MOLEX  | 34736-2002   | 12642697 | 01AU10         | MX64 RCPT TERM Ag 18/20 GAGE B (RIGHT PAYOFF)   | N/A        | N/A               | N/A         | N/A     | AVAILABLE  |
| 31   | MOLEX  | 34736-2001   | 12642696 | 01AU10         | MX64 RCPT TERM Ag 22 GAGE B (RIGHT PAYOFF)  | N/A        | N/A               | N/A         | N/A     | AVAILABLE  |
| 32   | MOLEX  | 34586-0001   | T.B.D.   | 11JN04         | MX123 0.64MM GROMMET PLUG   | N/A        | N/A               | N/A         | NATURAL | AVAILABLE  |
| 33   | YAZAKI | 7116-4150-02 | 12588066 | 02JN03         | 2.8mm YESC SEALED FEMALE TERMINAL TIN 20/22 GAGE (CABLE RANGE 0.30mm-0.60mm)                                      | N/A        | N/A               | N/A         | N/A     | NOT ACTIVE |
| 34   | YAZAKI | 7116-4151-02 | 12588067 | 02JN03         | 2.8mm YESC SEALED FEMALE TERMINAL TIN 16/18 GAGE (CABLE RANGE 0.75mm-1.40mm)                                      | N/A        | N/A               | N/A         | N/A     | NOT ACTIVE |
| 35   | YAZAKI | 7116-4152-02 | 12582685 | 02JN03         | 2.8mm YESC SEALED FEMALE TERMINAL TIN 14 GAGE (CABLE RANGE 1.50mm-2.50mm)   | N/A        | N/A               | N/A         | N/A     | AVAILABLE  |
| 36   | YAZAKI | 7158-3111-60 | 12588068 | 02JN03         | 2.8mm CABLE SEAL (wire O.D. range 1.20mm-1.90mm)  | N/A        | N/A               | N/A         | GREEN   | NOT ACTIVE |
| 37   | YAZAKI | 7158-3112-70 | 12588069 | 02JN03         | 2.8mm CABLE SEAL (wire O.D. range 1.80mm-2.30mm)  | N/A        | N/A               | N/A         | YELLOW  | NOT ACTIVE |
| 38   | YAZAKI | 7158-3113-40 | 12582686 | 02JN03         | 2.8mm CABLE SEAL (wire O.D. range 2.18mm-3.00mm)  | N/A        | N/A               | N/A         | WHITE   | AVAILABLE  |
| 39   | YAZAKI | 7158-3114-90 | T.B.D    | 02JN03         | 2.8mm YESC CAVITY PLUG  | N/A        | N/A               | N/A         | BLUE    | AVAILABLE  |
| 40   | MOLEX  | 63811-4200   | XX019825 | 02JN03         | MX64 TERM HAND CRIMP TOOL   | N/A        | N/A               | N/A         | N/A     | AVAILABLE  |
| 41   | MOLEX  | 63813-1400   | XX019826 | 02JN03         | MX64 TERM SERVICE TOOL  | N/A        | N/A               | N/A         | N/A     | AVAILABLE  |
| 42   | MOLEX  | 63865-8000   | XX019827 | 02JN03         | MX64 CRIMP APPLICATOR with TOOL KIT 18/20 GAGE PAYOFF DIRECTION D (left payoff) (contact Molex for payoff detail) | N/A        | N/A               | N/A         | N/A     | AVAILABLE  |
| 43   | MOLEX  | 63865-8070   | XX019828 | 02JN03         | MX64 APPLICATOR TOOL KIT 18/20 GAGE   | N/A        | N/A               | N/A         | N/A     | AVAILABLE  |
| 44   | MOLEX  | 63865-8100   | XX019829 | 02JN03         | MX64 CRIMP APPLICATOR with TOOL KIT 22 GAGE PAYOFF DIRECTION D (left payoff) (contact Molex for payoff detail)    | N/A        | N/A               | N/A         | N/A     | AVAILABLE  |
| 45   | MOLEX  | 63865-8170   | XX019830 | 02JN03         | MX64 APPLICATOR TOOL KIT 22 GAGE  | N/A        | N/A               | N/A         | N/A     | AVAILABLE  |
| 46   | SPX    | J35616-64    | T.B.D.   | 02JN03         | 0.64mm PROBE TOOL (for rcpt)  | N/A        | N/A               | N/A         | N/A     | AVAILABLE  |
| 47   | SPX    | J35616-64A   | T.B.D.   | 02JN03         | 0.64mm PROBE TOOL WITH EXT (for rcpt)   | N/A        | N/A               | N/A         | N/A     | AVAILABLE  |
| 48   | SPX    | J35616-65    | T.B.D.   | 02JN03         | 0.64mm PROBE TOOL WITH EXT (for pin)  | N/A        | N/A               | N/A         | N/A     | AVAILABLE  |
| 49   | SPX    | J35616-4A    | T.B.D.   | 02JN03         | 2.8mm PROBE TOOL (for rcpt)   | N/A        | N/A               | N/A         | N/A     | AVAILABLE  |
| 50   | YAZAKI | X39899-J374  | 12094430 | 02JN03         | 2.8mm TERM SERVICE TOOL   | N/A        | N/A               | N/A         | N/A     | AVAILABLE  |

002B

\* - MX123 DRESS COVER 73/80/66 CKT MATES TO ANY MX123 HARN CONN ASSY SHOWN ON TABLE ABOVE



PAGE TITLE  
COMPONENT TABLE

DRAWING NUMBER  
12642695

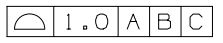
| DWG STATUS |     |     | PAGE NUMBER |
|------------|-----|-----|-------------|
| ST         | REV | PD1 |             |
| R          | 002 |     | 5 OF 21     |

NOTES: UNLESS OTHERWISE SPECIFIED

1. MATERIAL FOR INTERFACE:

- A. RESIN:
  - 1. 30% G.F. PBT; 20% MAX. (BY WEIGHT) REGRIND.
  - 2. MATING CONNECTOR INTERFACE PART COLOR MUST BE SAME AS MATCHING KEYED HARNESS CONNECTOR ASSEMBLY.
  - 3. MUST BE VALIDATED FOR INDIVIDUAL DEVICE APPLICATION REQUIREMENTS.
- B. 0.64MM PINS:
  - 1. BASE MATERIAL: COPPER ALLOY; CONDUCTIVITY >= 28% IACS AT 20°C; TENSILE STRENGTH >= 635 N/mm<sup>2</sup>; SURFACE ROUGHNESS R<sub>a</sub> 6 MAX.
  - 2. PLATING FINISH: SILVER (Ag). PLATING TO BE 1.9-3.3 μm ELECTRODEPOSITED SEMI-BRIGHT SILVER OVER 1.25-2.25 μm DUCTILE SULPHAMATE NICKEL PER NOTE 1(D).
  - 3. ANTI-TARNISH: SYNTHETIC HYDROCARBON CONTACT SURFACE FINISH OR EQUIVALENT APPLIED WITHOUT VOID TO CONTACT AREA (MIN 3.7mm FROM PIN TIP).
- C. 2.8MM BLADE:
  - 1. BASE MATERIAL: COPPER ALLOY; CONDUCTIVITY >= 28% IACS AT 20°C; TENSILE STRENGTH >= 350 N/mm<sup>2</sup>; SURFACE ROUGHNESS R<sub>a</sub> 6 MAX.
  - 2. PLATING FINISH: TIN. PLATING TO BE 2.5-5.0 μm ELECTRODEPOSITED TIN, MATTE FINISH OVER 1.25-2.5 μm DUCTILE SULPHAMATE NICKEL PER NOTE 1(D).
- D. PLATING REQUIREMENTS:
  - 1. SILVER PLATING
    - a. 99.5% PURE SEMI-BRIGHT WITH NO ORGANIC BRIGHTNERS OR CHROMATES.
  - 2. NICKEL PLATING
    - a. ELECTRODEPOSITED DUCTILE SULFAMATE NICKEL WITH A NON-BRIGHTENED FINISH. NO ORGANIC OR BRIGHTENING AGENTS SHALL BE ALLOWED.
    - b. SHALL ONLY BE USED AS AN UNDERLYING PLATING AND MAY NOT BE USED AS AN ELECTRICAL CONTACT SURFACE PLATING.
    - c. SHALL BE NODULE FREE WHEN VIEWED AT 10X MAGNIFICATION IN MEASURED IN CONTACT SURFACE AREA PLUS 0.5MM PERIMETER AROUND THE CONTACT SURFACE AREA.
    - d. ALL PLATINGS SHALL HAVE A 1.0% MAXIMUM BY WEIGHT IMPURITIES. IMPURITIES ARE DEFINED AS ALL ELEMENTS NOT THE PRIMARY PLATING OR HARDENING AGENT IF APPLICABLE, AS DETERMINED BY WET CHEMICAL ANALYSIS OR AUGER METHOD. NO SINGLE IMPURITY SHALL EXCEED 0.1% MAXIMUM BY WEIGHT.
  - 3. TESTING
    - a. THICKNESS TO BE MEASURED IN CONTACT SURFACE AREA PLUS 0.5MM PERIMETER AROUND THE CONTACT SURFACE AREA AS DESIGNATED IN THE DRAWING. THICKNESS SHALL BE DETERMINED BY METHOD OF X-RAY (XRF).
    - b. PLATING ADHESION SHALL BE TESTED BY A BEND TEST FOR ALL METALS. THE TEST SAMPLE SHALL BE BENT 90 DEGREES TO DETERMINE DEPOSIT ADHESION. TESTING SHALL BE COMPLETED IN ACCORDANCE WITH ASTM SPEC B571.


2. DESIGN - GENERAL:

- A. THIS IS A 100% CAD GENERATED PART. THE CAD MATHEMATICAL DATA IS THE MASTER FOR THIS PART. FOR DIMENSIONAL OR ANY INFORMATION NOT SHOWN ON THIS DRAWING, ANALYZE THE CAD MODEL.
- B. TOLERANCES:
  - 1. LINEAR
    - 0.X ± 0.30
    - 0.XX ± 0.10
    - 0.XXX ± 0.10
  - 2. ANGULAR X° ± 3°
  - 3. 
- C. MINIMUM WALL THICKNESS REQUIRED: 1.3mm.
- D. CORNERS SHOWN AS SHARP TO BE R 0.2 MAX.
- E. LETTERING SHALL BE 0.15 MAX RAISED IN 0.20 MAX RECESS PAD. THIS INCLUDES MATERIAL CODE, RECYCLING CODE, CAVITY ID AND DATE CODE.
- F-1. PARTS MUST BE FREE OF DISCOLORATION, SALT RESIDUE AND OTHER IMPERFECTIONS THAT AFFECT FIT OR FUNCTION.
- F-2. SCRATCHES OR DENTS NOT TO EXCEED 0.013mm IN DEPTH.
- G. FOLLOWING PRODUCTION CODES TO BE PERMANENTLY MARKED & HUMAN READABLE TO A LETTER HEIGHT OF 1.5 ± 0.5MM X 0.3 MAX DEEP
  - 1. MATERIAL #: XXXXX-XXXX
  - 2. DATE CODE: JJYY (JULIAN DAY, LAST DIGIT OF YEAR)
  - 3. INSPECTION MACHINE CODE + SERIAL #: X\_XXXXX

3. DESIGN - MANUFACTURING:

- A. DRAFT TO BE WITHIN TOLERANCE.
- B. ALLOWABLE FLASH MAX 0.2 HIGH X MAX 0.13 THICK.
- C. ALLOWABLE PARTING LINE MISMATCH 0.2 MAX.
- D. EJECTOR PINS MARK TO BE FLUSH TO 0.25 MAX DEPRESSED.
- E. ALLOWABLE GATE VESTIGE FLUSH TO 0.25 MAX PROTRUSION.
- F. NO EXTERNAL MOLD RELEASE AGENT ALLOWED DURING MANUFACTURING.
- G. STEEL THAT FORMS THE INDICATED SURFACE MUST BE POLISHED WITH A DIAMOND FINISH (SPI A-2) OVER THE FULL PERIPHERY OF THE TOOL. SURFACE MUST HAVE NO MISMATCH.
- H. ANY PROCESS LUBRICANT REMAINING ON THE TERMINAL MUST NOT VARNISH OR DEGRADE IT'S ELECTRICAL PERFORMANCE UP TO A MAXIMUM CLASS AMBIENT TEMPERATURE PER SAE USCAR-2 FOR 1008 HOURS. PROCESS LUBRICANTS SHOULD BE APPROVED BY THE RESPONSIBLE ENGINEER.
- J. OPTIONAL FEATURES PROVIDED FOR AUTOMATION.
- K. PART MUST BE FREE FROM BURRS AND SHARP EDGES, WHICH MIGHT BE DETRIMENTAL TO SATISFACTORY ASSEMBLY, SAFE HANDLING OR FUNCTION OF PART.
- L. PARTS AS DELIVERED TO ASSEMBLY SHALL BE CLEAN AND FREE OF DEBRIS, RESIDUAL ABRASIVE MATERIAL AND CORROSION PRODUCTS ADVERESLY AFFECTING FUNCTION OR APPEARANCE.
- M. RESTRICTED AND REPORTABLE SUBSTANCES FOR PARTS PER GMW3059.

002C

|   |            |                |            |     |     |             |
|---|------------|----------------|------------|-----|-----|-------------|
|  | PAGE TITLE | DRAWING NUMBER | DWG STATUS |     |     | PAGE NUMBER |
|   | NOTES      |                | 12642695   |     |     |             |
|   |            |                | ST         | REV | PDI |             |

NOTES: UNLESS OTHERWISE SPECIFIED

4. SYSTEM REQUIREMENTS:

A. HARNESS CONNECTOR IS COMPATIBLE WITH THE FOLLOWING SAE WIRE SIZE NO'S:

- 14, MEETING SAE J1128
- 18, MEETING SAE J1128, MAX O.D. OF 2.06 MM
- 20, MEETING SAE J1128
- 22, MEETING SAE J1128, MIN O.D. OF 1.47 MM

B. CABLE TIE SPECIFICATIONS:

- 1. CABLE TIE:
  - TENSILE RATING: 220N / (50lbs) MIN
  - TIE LENGTH: 186mm MIN
  - TIE WIDTH: 4.75mm MAX
  - MATERIAL: NYLON
- 2. INSTALLATION:
  - CABLE TIE TENSION: 190N MIN
- 3. DRESSED WIRE BUNDLE PACKAGING: SEE FIG. 1

C. WHEN MATED WITH COMPONENT CONNECTOR INTERFACE AND/OR DRESS COVER, HARNESS CONNECTOR SYSTEM CONFORMS TO THE FOLLOWING:

- 1. SAE/USCAR-2, REV: 3 APRIL, 2001; CLASS 3
- 2. FIELD CORRELATED LIFE TEST, SAE/USCAR-20, NOV. 2001
- 3. GMW #3191 AUGUST 22, 2000 (DRAFT); TEMPERATURE CLASS 3, SEALING CLASS 1, VIBRATION CLASS 2
- 4. RESTRICTED AND REPORTABLE CHEMICALS PER GMW #3059, REV: D AUGUST 2002
- 5. TPA USER FORCES (FULLY POPULATED WITH TERMINALS)
  - a. REMOVAL FROM LOCK TO PRE-SET: <=120N

D. WIRE SPECIFICATIONS:

- 1. WIRE SURFACE MUST BE FREE OF SCRATCHES, GROOVES OR DENTS WHERE FUNCTIONAL

5. TERMINAL CURRENT RATINGS:

ALL TESTING DONE IN ACCORDANCE WITH USCAR-2 REV5 SECTION 5.3

A. MX64 RCPT TERM

- 1. MX64 RCPT TERM Ag 18/20 GAGE CRIMPED TO SAE WIRE SIZE NO.18 AND MATED TO MX123 0.64MM PIN: 11.3 AMPS
- 2. MX64 RCPT TERM Ag 22 GAGE CRIMPED TO SAE WIRE SIZE NO.22 AND MATED TO MX123 0.64MM PIN:8.5 AMPS

| WIRE  | CURRENT RATING |       |       |       |
|-------|----------------|-------|-------|-------|
|       | 23°C           | 85°C  | 105°C | 125°C |
| 18AWG | 11.3A          | 11.3A | 9.5A  | 6.6A  |
| 20AWG | 10.0A          | 10.0A | 8.3A  | 5.7A  |
| 22AWG | 8.6A           | 8.6A  | 7.1A  | 5.0A  |

B. 2.8MM RCPT TERM

- 1. 2.8MM RCPT TERM TIN 14 GAGE CRIMPED TO SAE WIRE SIZE NO.14 AND MATED TO MX123 2.8MM BLADE: 25.6 AMPS

6. CONTACT MOLEX AUTOMOTIVE FOR AVAILABLE CUSTOM PATTERNS OF CAVITIES OPEN FOR CIRCUITS



PAGE TITLE  
NOTES

DRAWING NUMBER

12642695

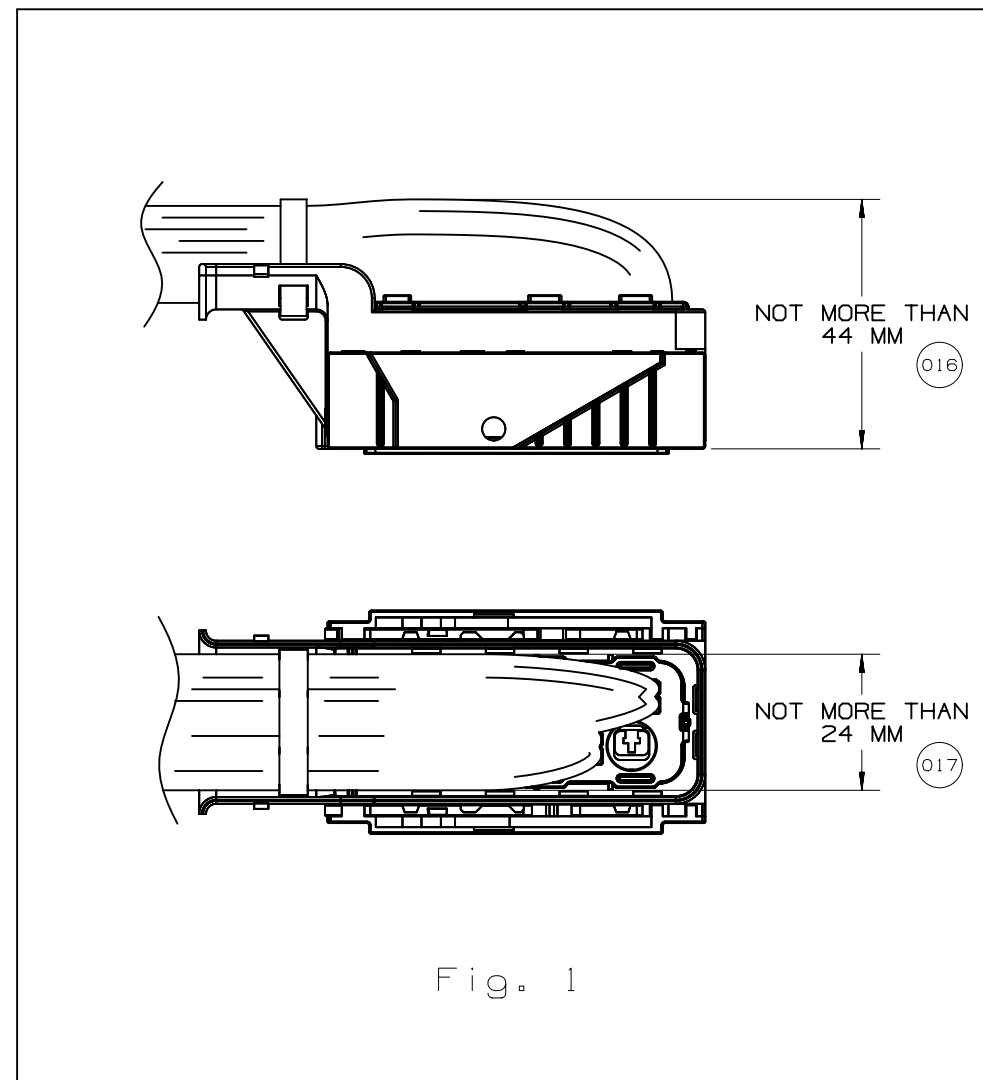
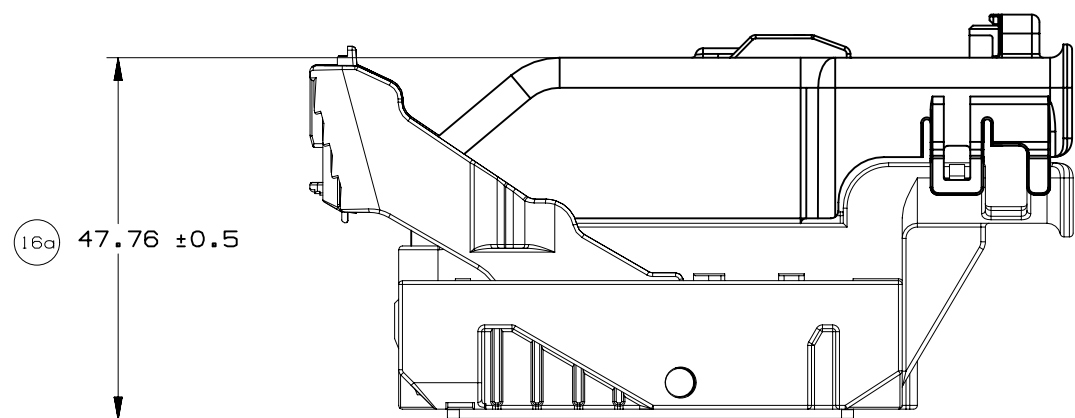
DWG STATUS

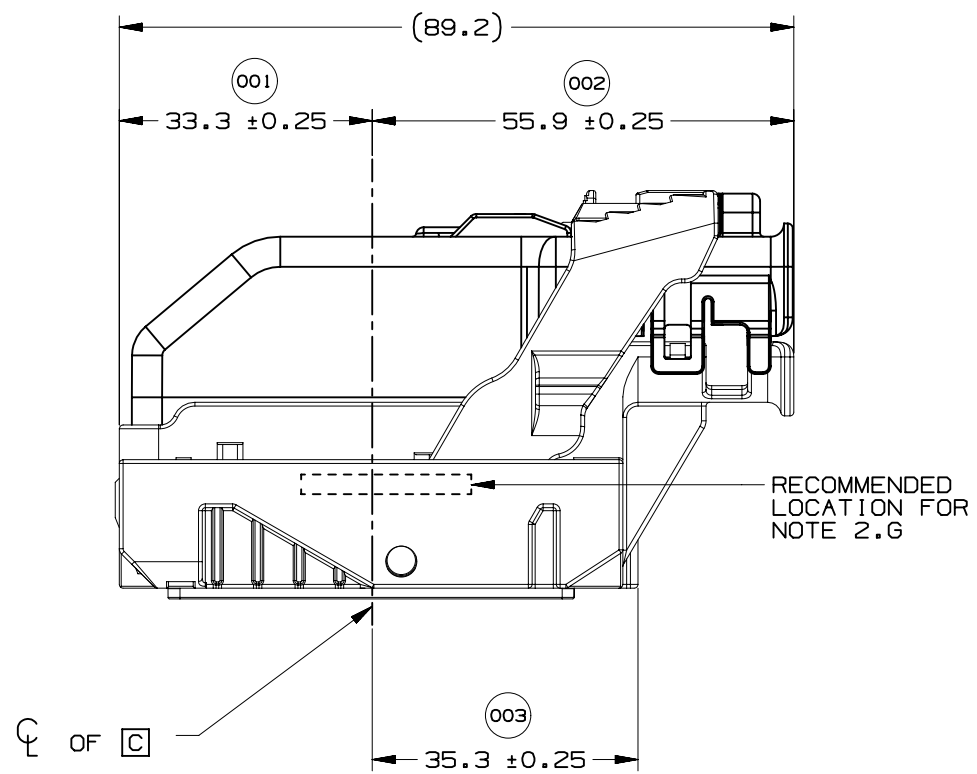
| ST | REV | PDI |
|----|-----|-----|
| R  | 002 |     |

PAGE NUMBER

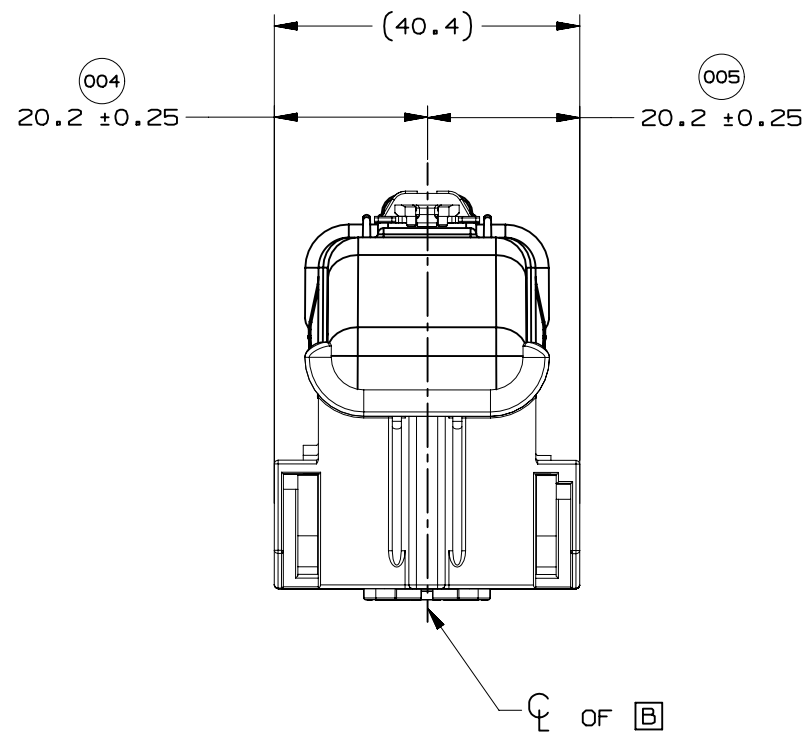
7 OF 21



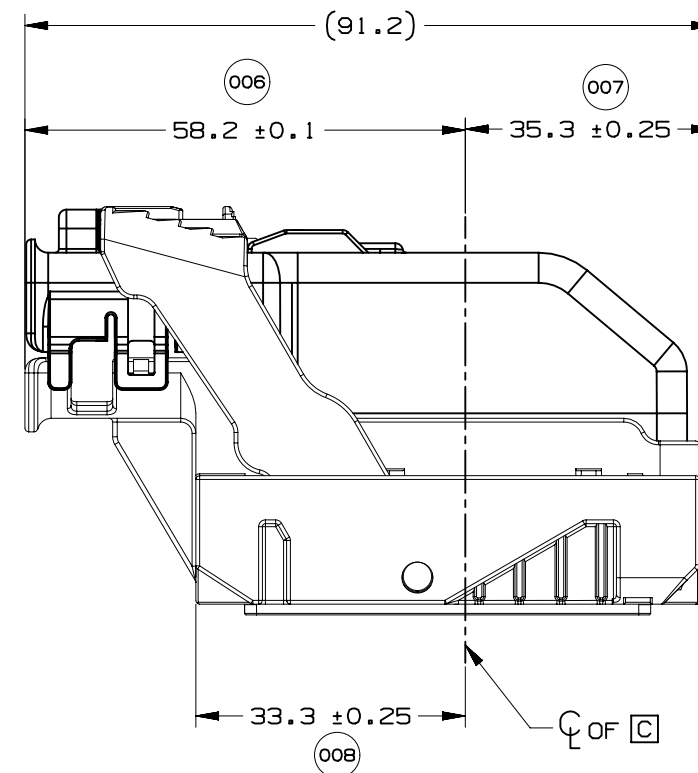




WIRE DRESS OPTION 0 SHOWN

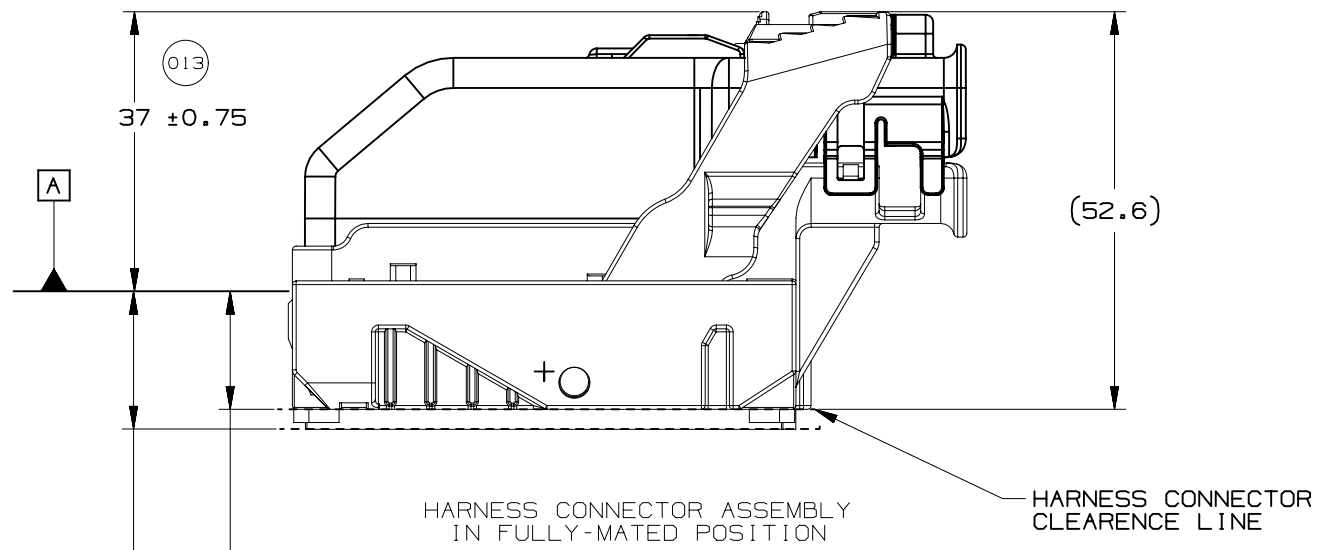
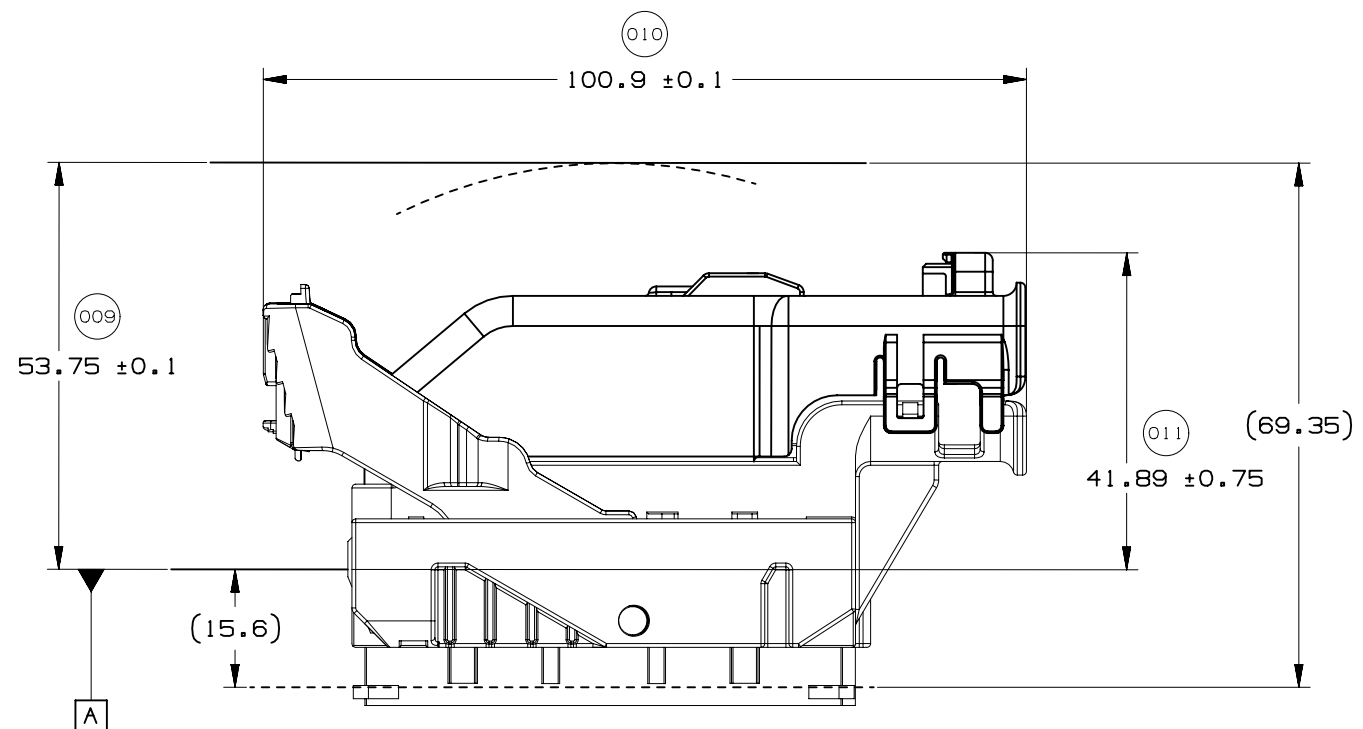
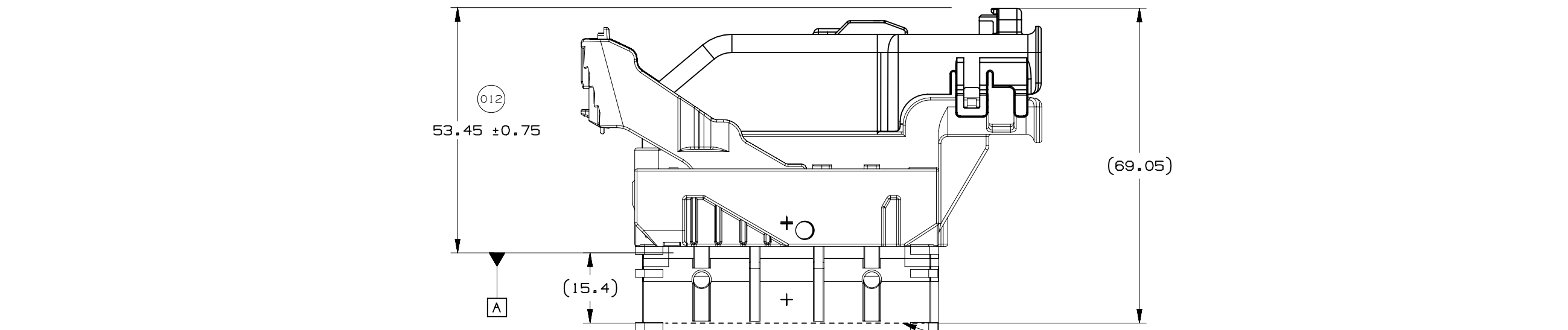


WIRE DRESS OPTION 0 SHOWN



WIRE DRESS OPTION 9 SHOWN



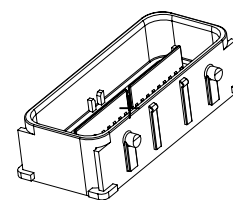
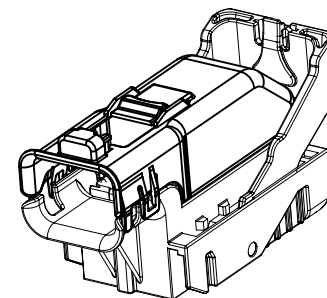
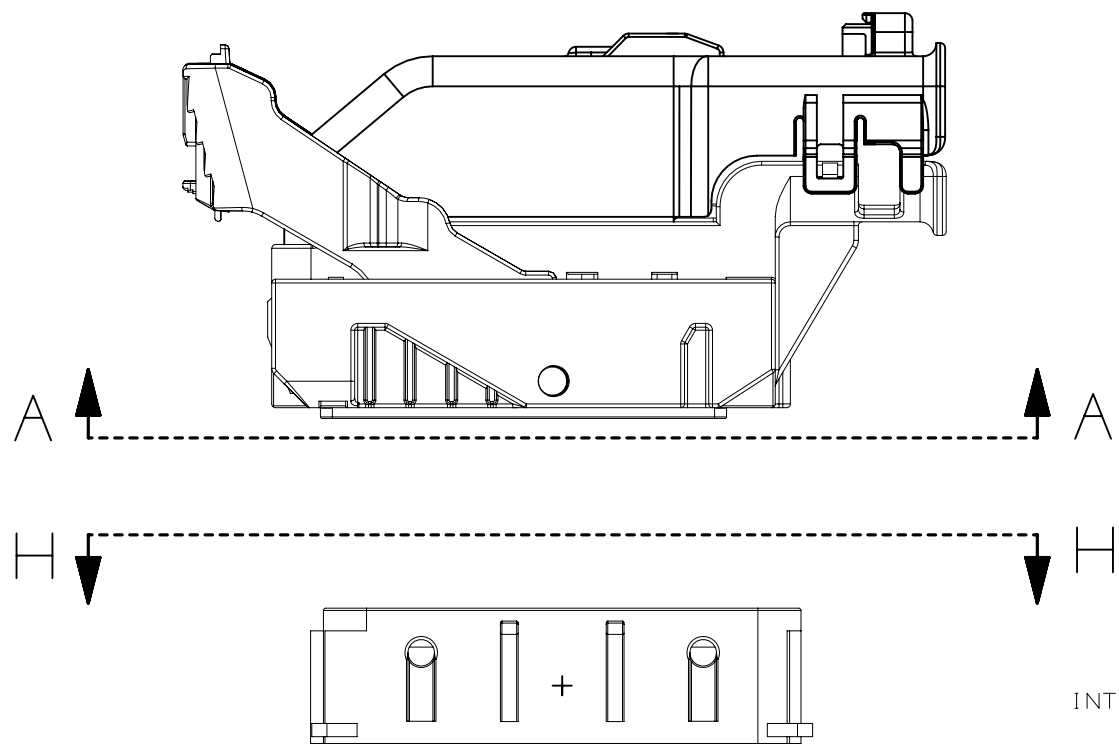


15.6 MIN. ALL AROUND CLEARANCE REQUIRED FOR HARNESS CONNECTOR

014

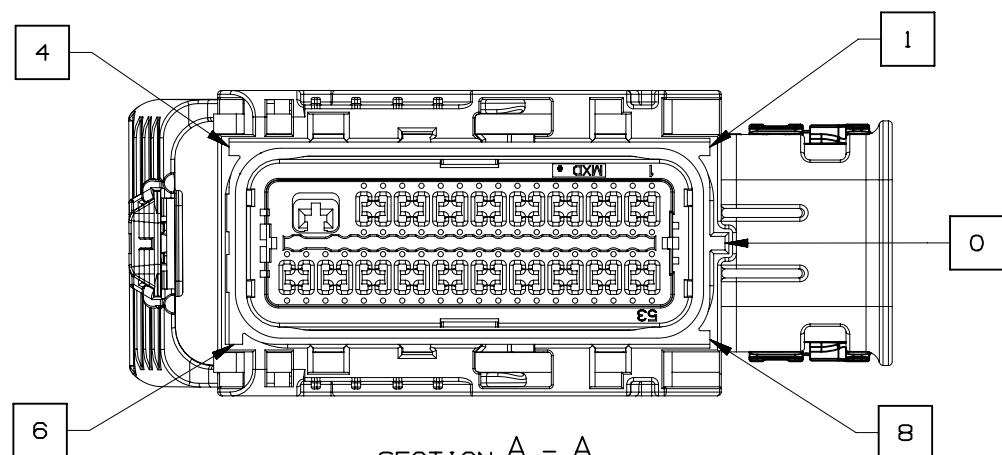
17.9 MIN. AT PAD LOCATION CLEARANCE REQUIRED FOR HARNESS CONNECTOR CONSTRUCTION BELOW THIS PLANE IS NOT CONTROLLED

015

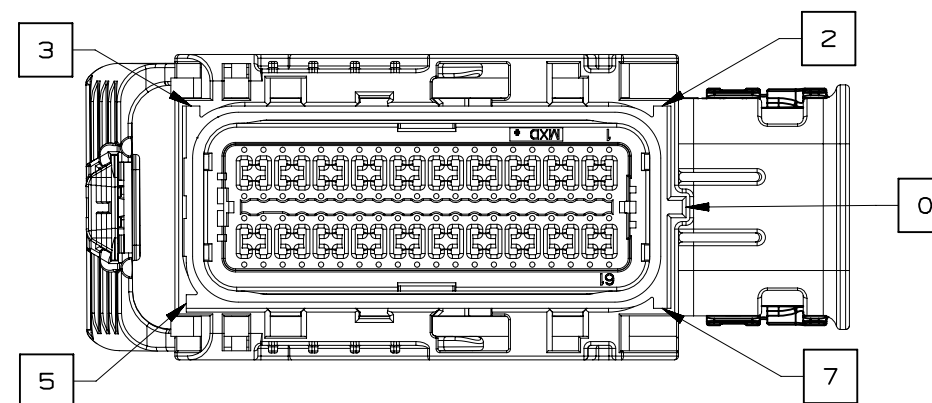


NOTE: REFERENCE THE COMPONENT TABLE FOR KEY OPTIONS AND CONFIGURATIONS

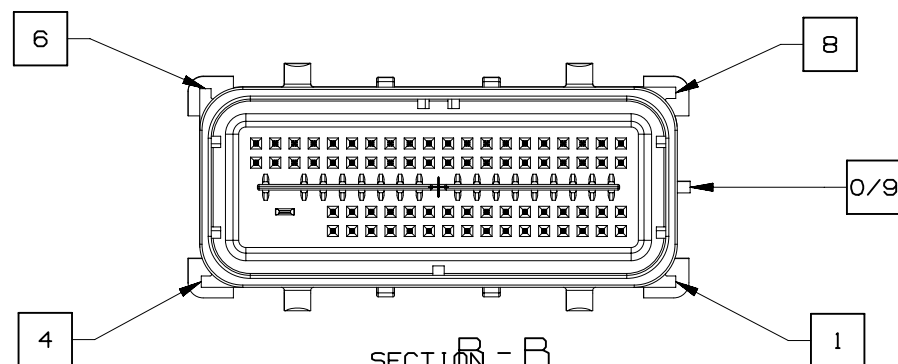
INTERFACE SIDE SHOWN ON ALL SECTION VIEWS



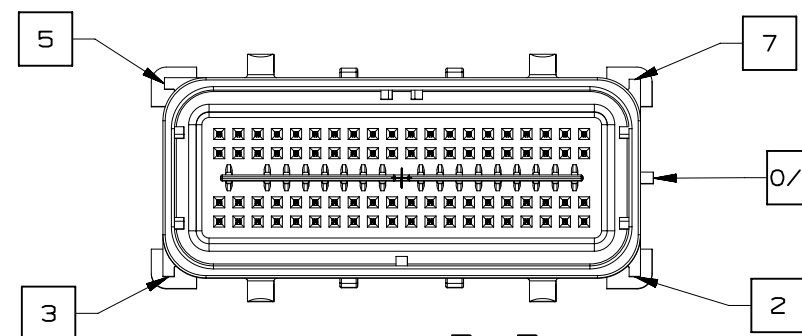
SECTION A - A  
KEY OPTION B SHOWN



SECTION A - A  
KEY OPTION K SHOWN



SECTION B - B  
KEY OPTION B SHOWN



SECTION B - B  
KEY OPTION K SHOWN

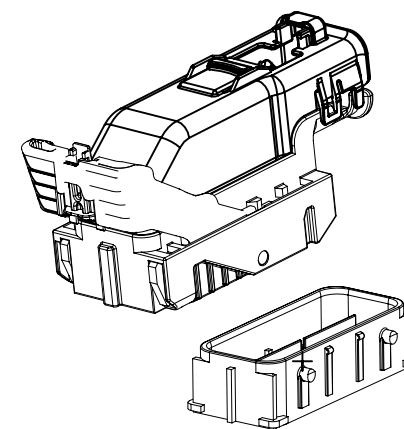
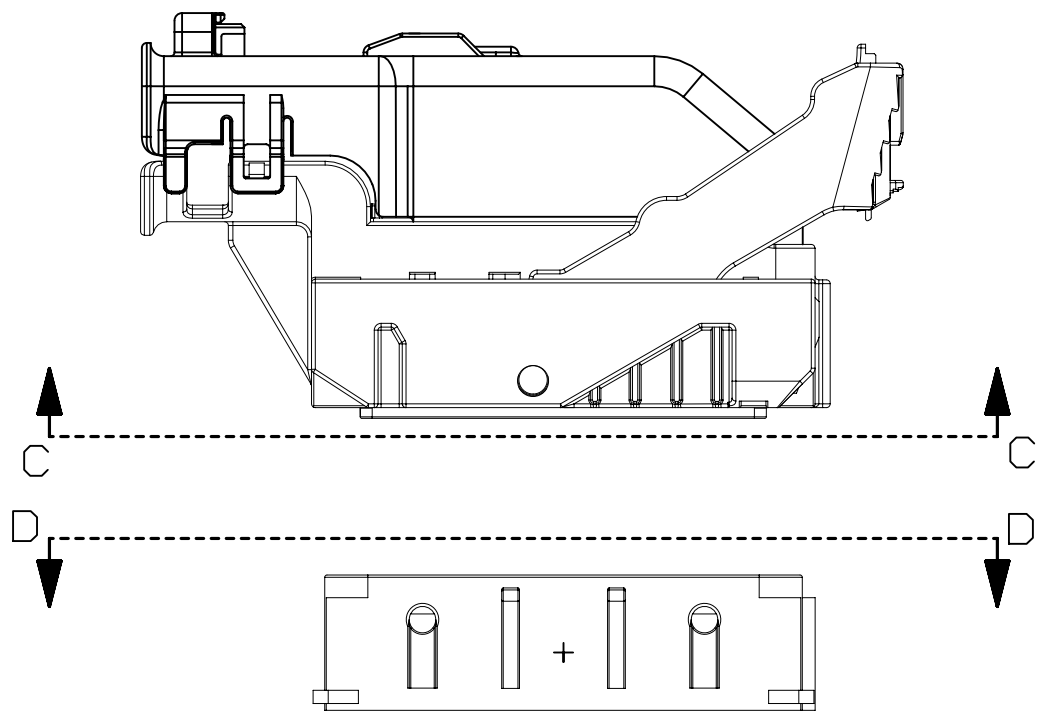


PAGE TITLE  
KEY ID REF - WIRE DRESS OPTION 0

DRAWING NUMBER  
12642695

| DWG STATUS |     |     |
|------------|-----|-----|
| ST         | REV | PD1 |
| R          | 002 |     |

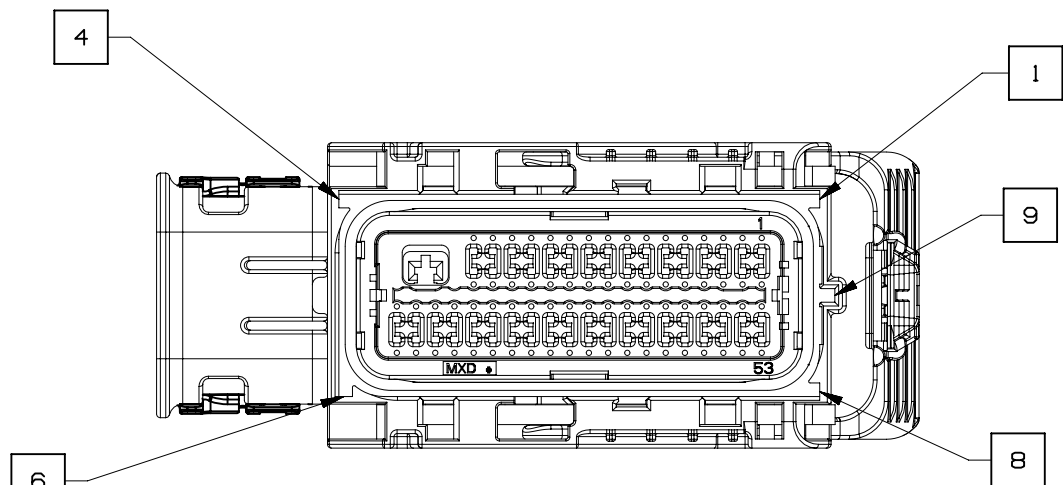
PAGE NUMBER  
11 OF 21



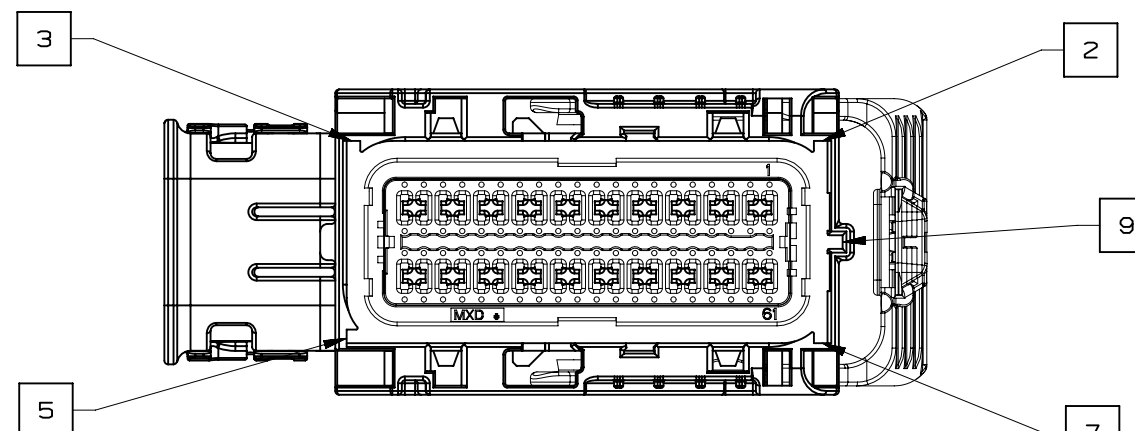
NOTE: REFERENCE THE COMPONENT TABLE FOR KEY OPTIONS AND CONFIGURATIONS

VIEW V

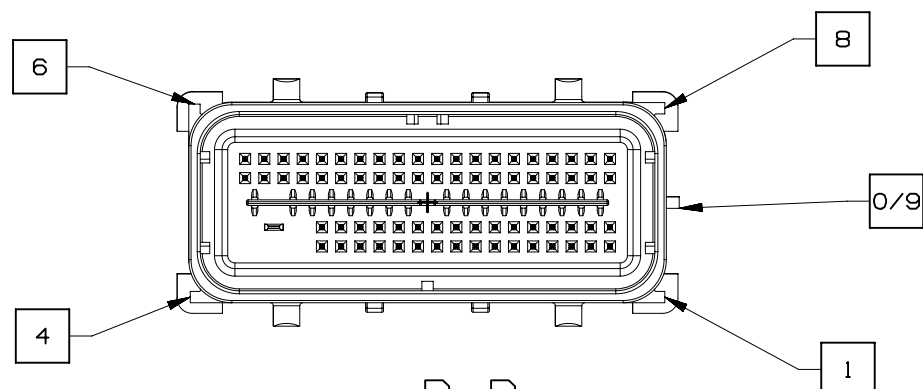
INTERFACE SIDE SHOWN ON ALL SECTION VIEWS



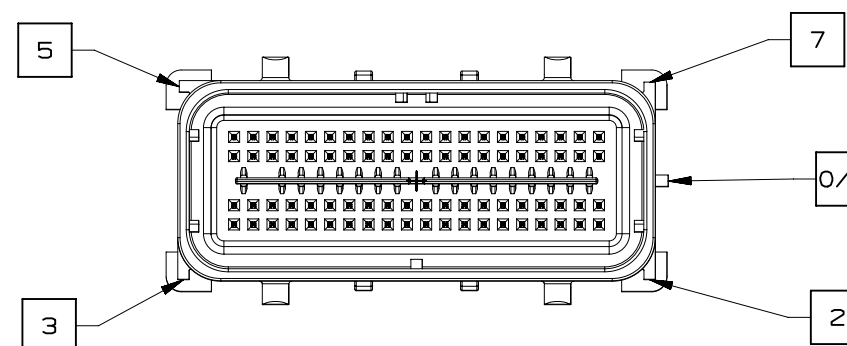
SECTION C-C  
KEY OPTION B SHOWN



SECTION C-C  
KEY OPTION K SHOWN



SECTION D-D  
KEY OPTION B SHOWN



SECTION D-D  
KEY OPTION K SHOWN

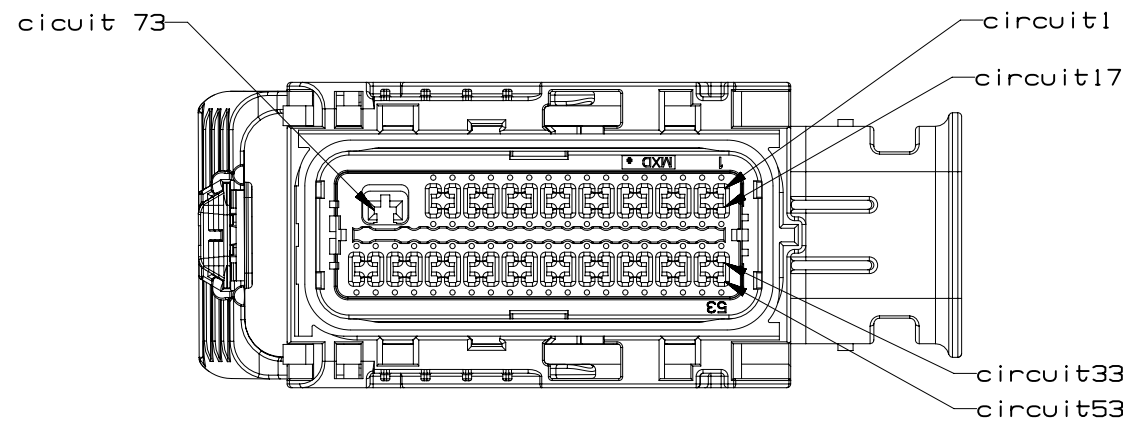


PAGE TITLE  
KEY ID REF - WIRE DRESS OPTION 9

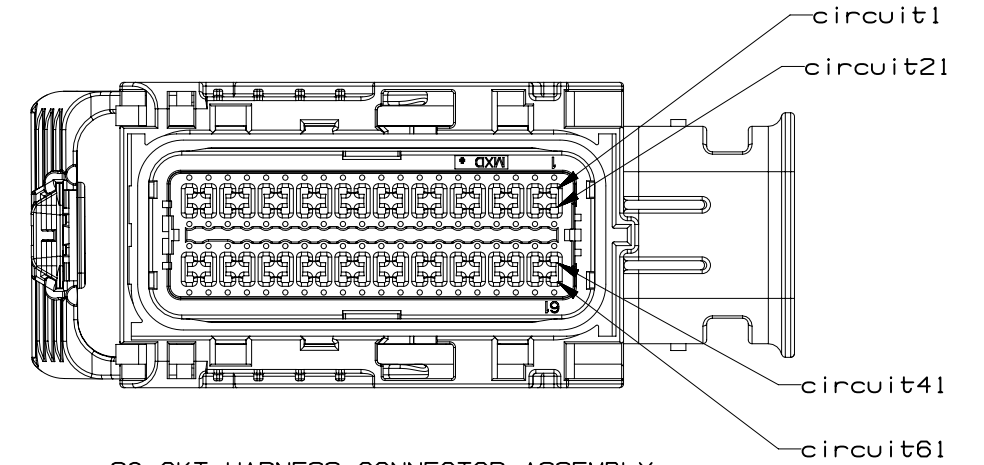
DRAWING NUMBER  
12642695

| DWG STATUS |     |     |
|------------|-----|-----|
| ST         | REV | PD1 |
| R          | 002 |     |

PAGE NUMBER  
12 OF 21

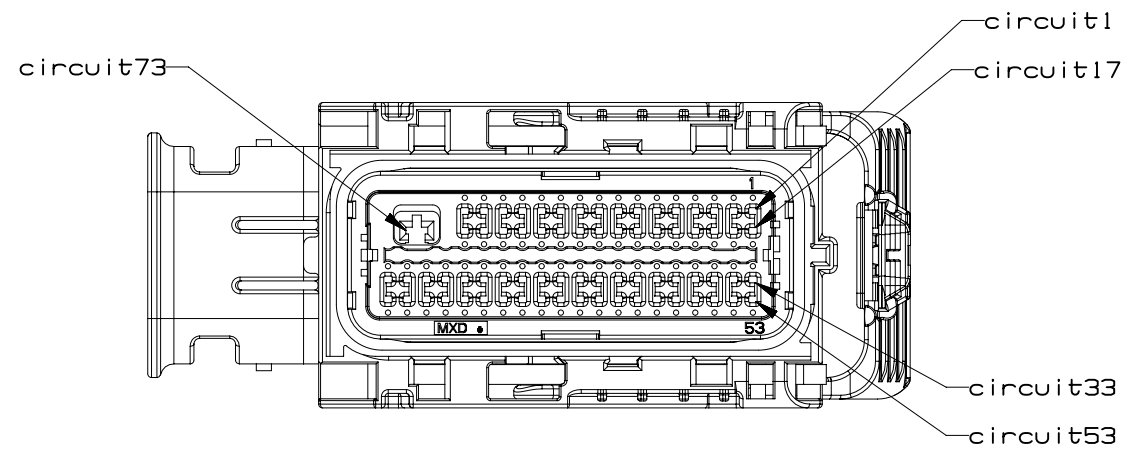


73 CKT HARNESS CONNECTOR ASSEMBLY  
WIRE DRESS OPTION 0

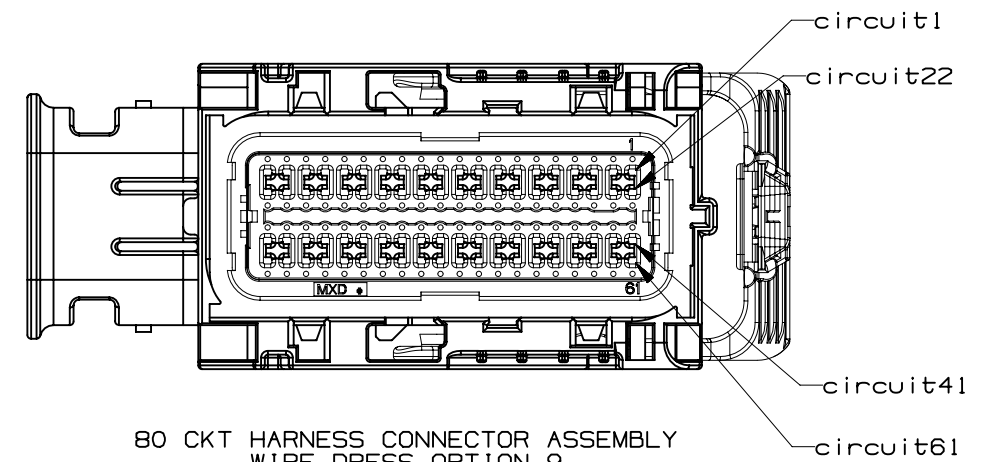


80 CKT HARNESS CONNECTOR ASSEMBLY  
WIRE DRESS OPTION 0

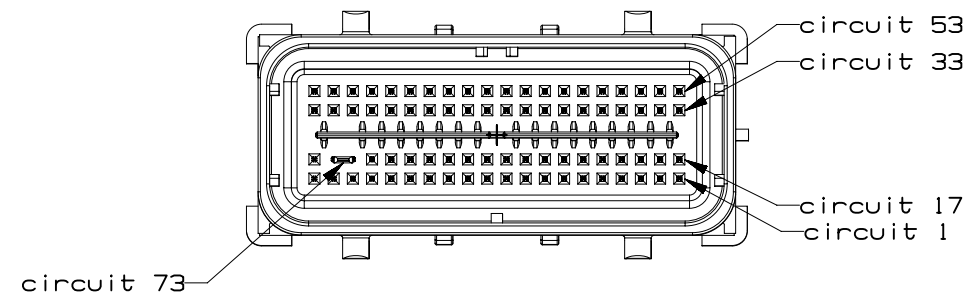
INTERFACE SIDE SHOWN ON ALL VIEWS



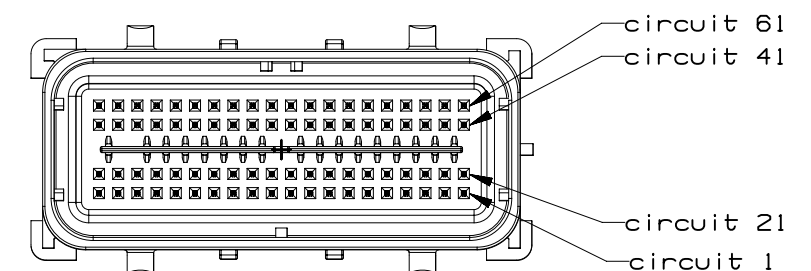
73 CKT HARNESS CONNECTOR ASSEMBLY  
WIRE DRESS OPTION 9



80 CKT HARNESS CONNECTOR ASSEMBLY  
WIRE DRESS OPTION 9

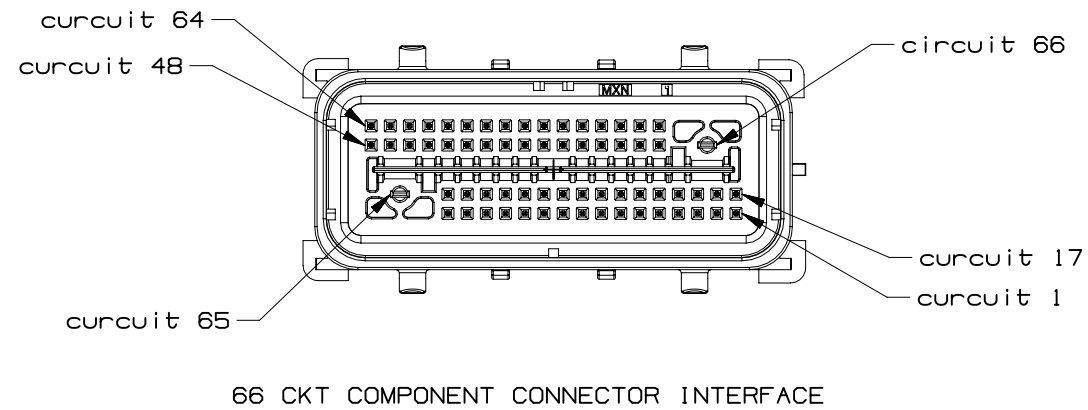
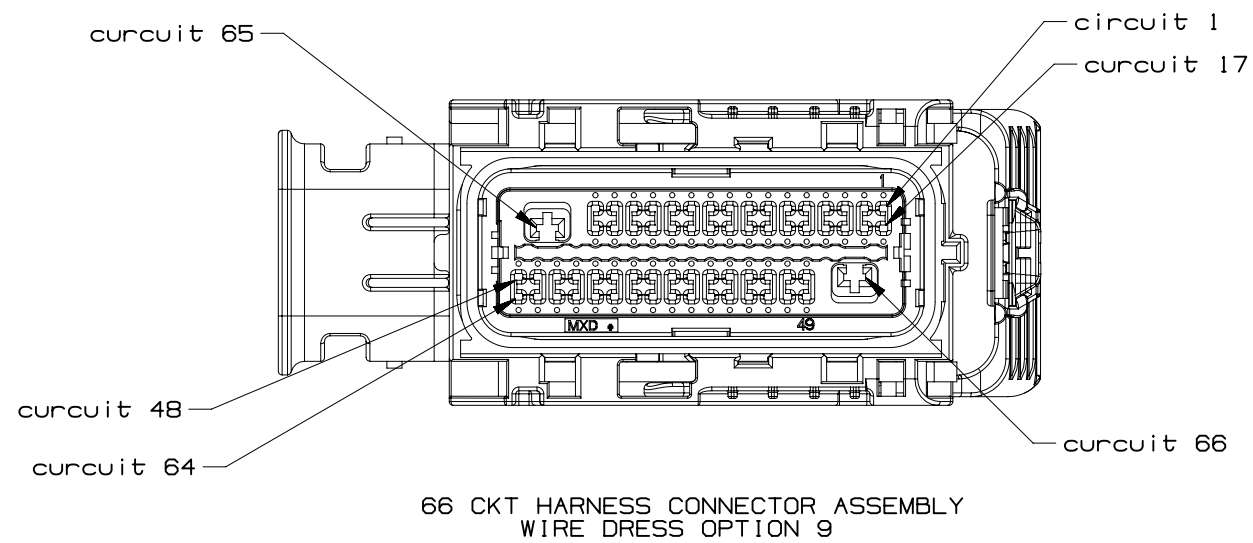
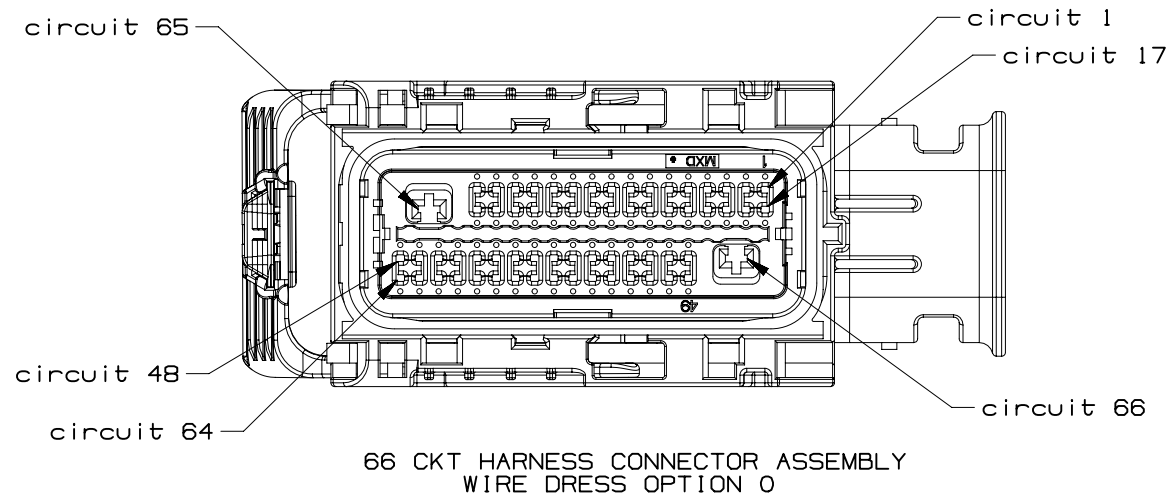


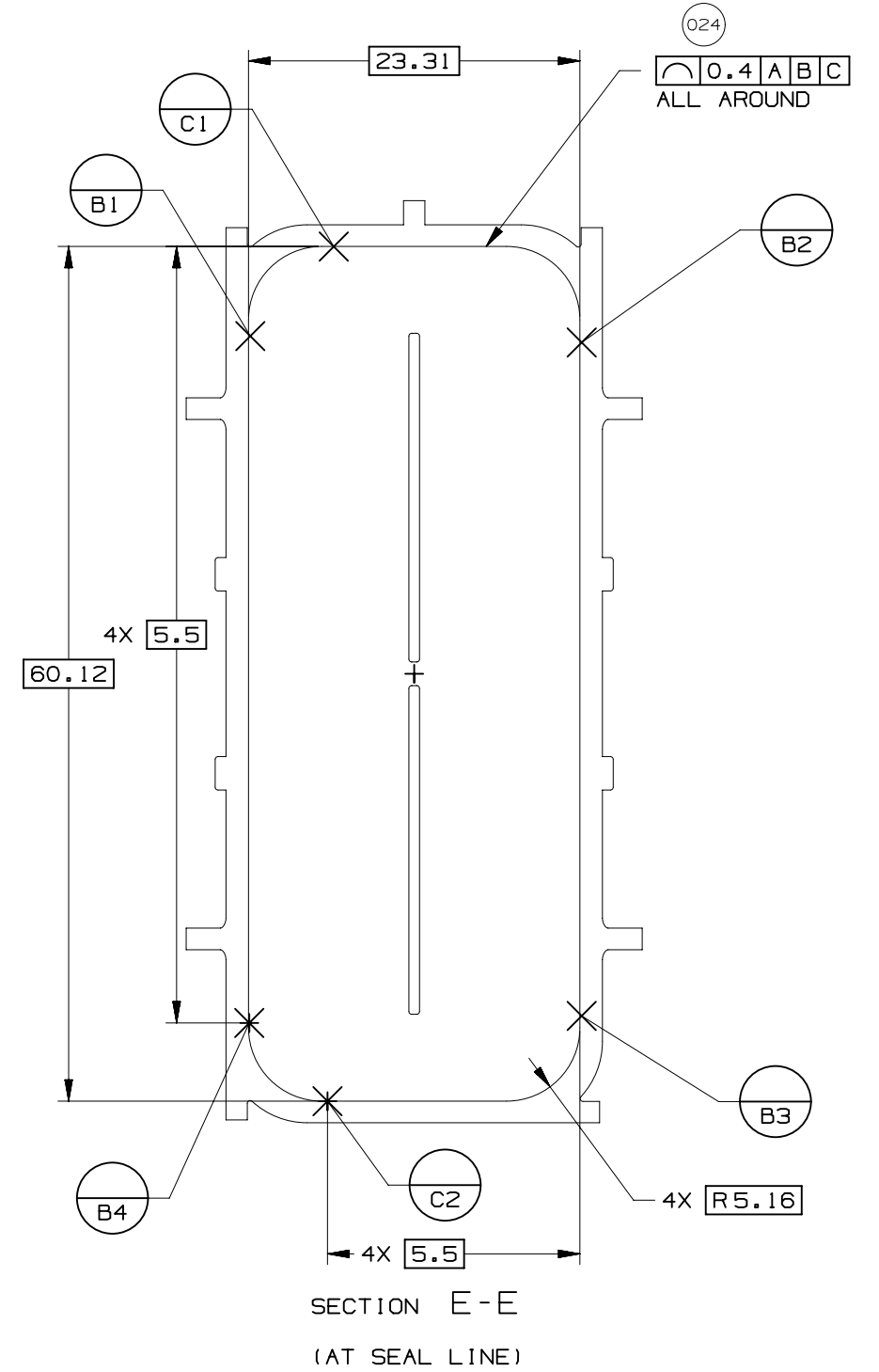
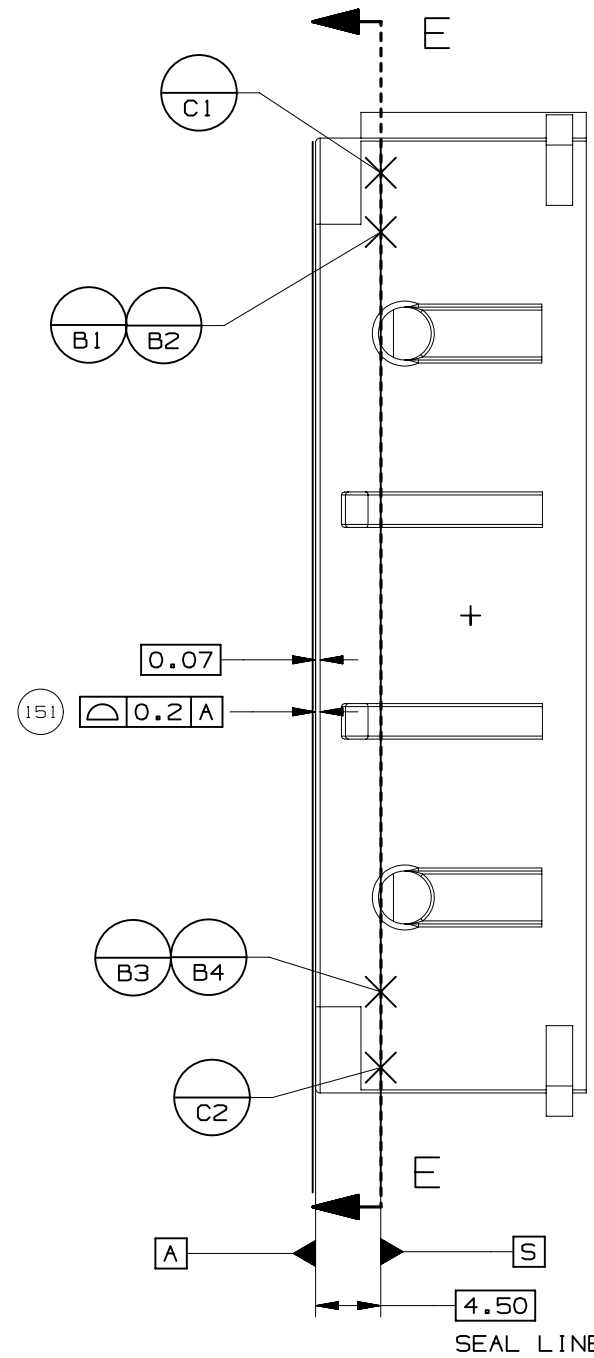
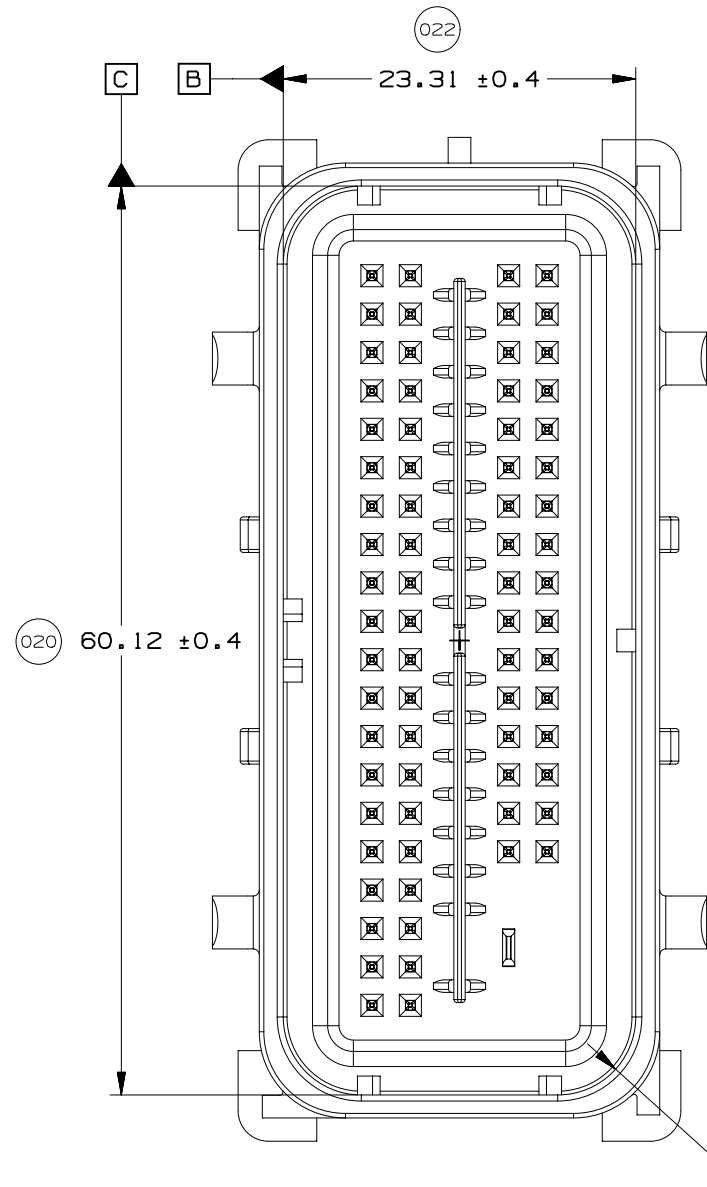
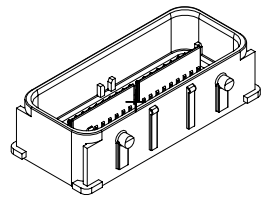
73 CKT COMPONENT CONNECTOR INTERFACE



80 CKT COMPONENT CONNECTOR INTERFACE







UNLESS SPECIFIED, TOLERANCE OF THE COMPONENT CONNECTOR INTERFACE TO BE  $\sqrt[0.13]{A B C}$

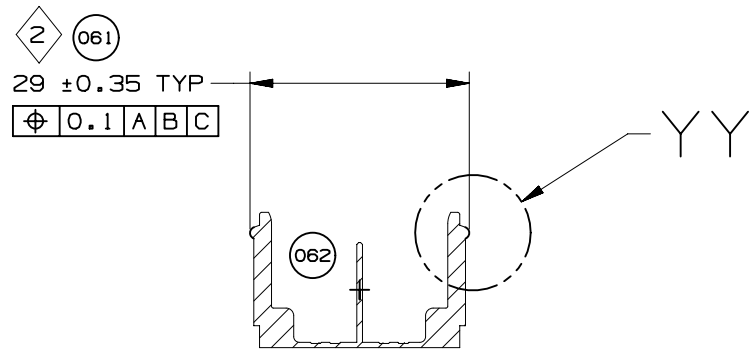
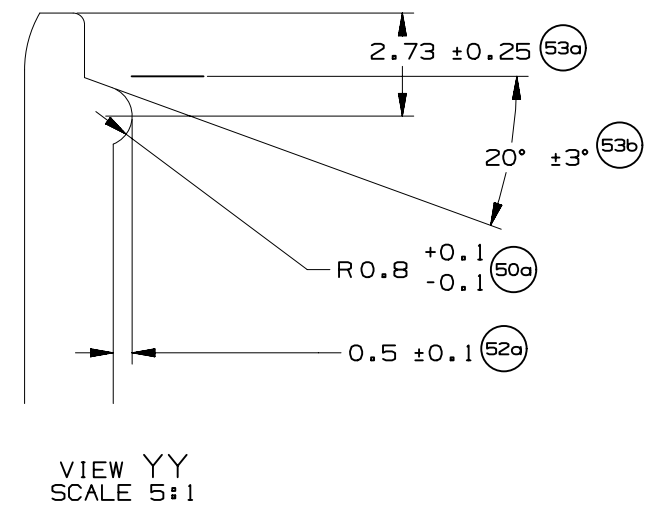
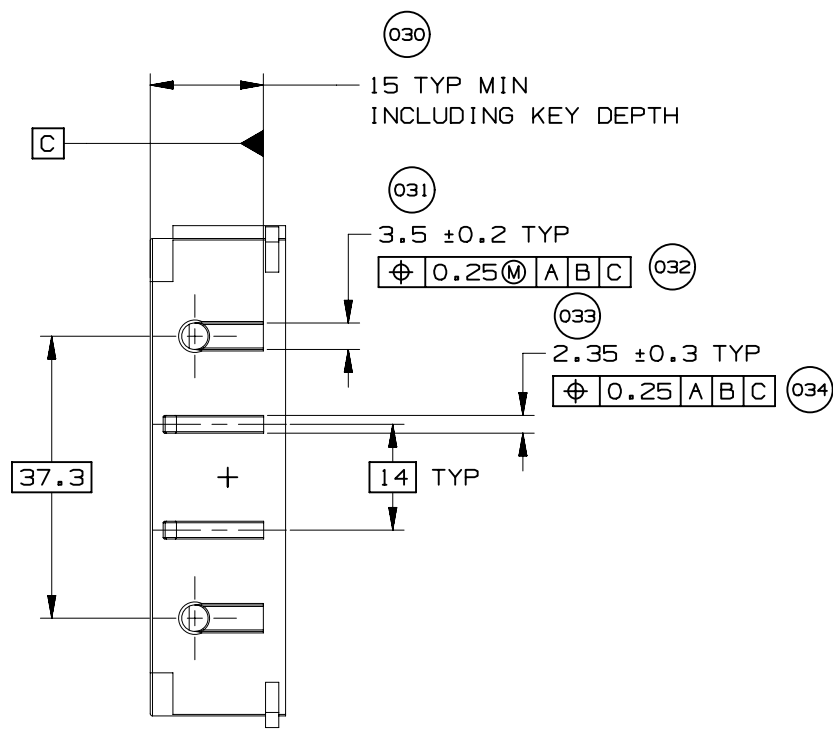
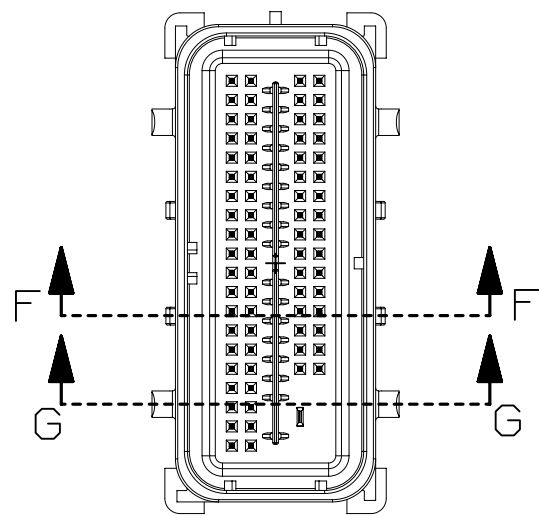


PAGE TITLE  
COMPONENT CONNECTOR INTERFACE

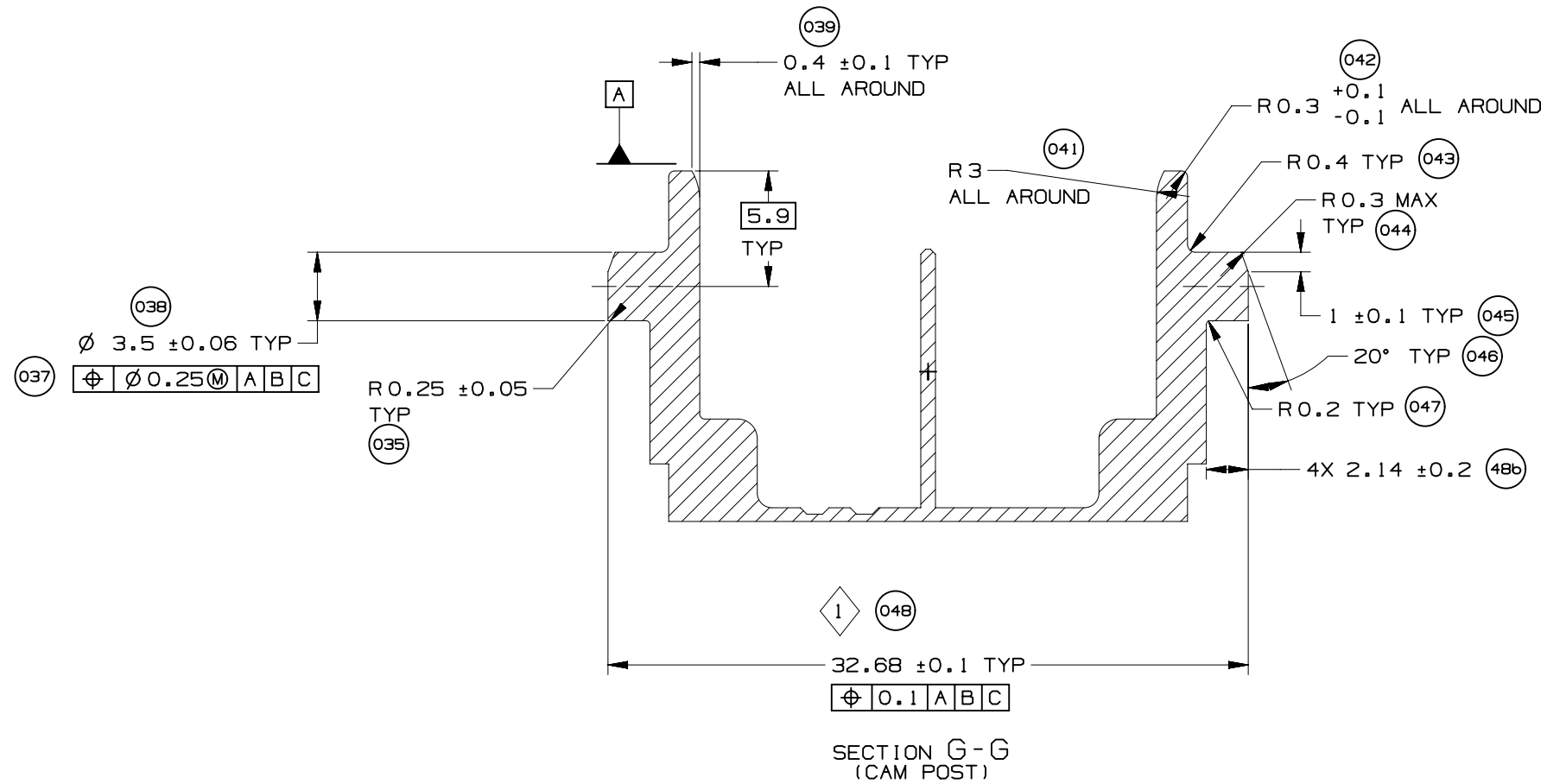
DRAWING NUMBER  
12642695

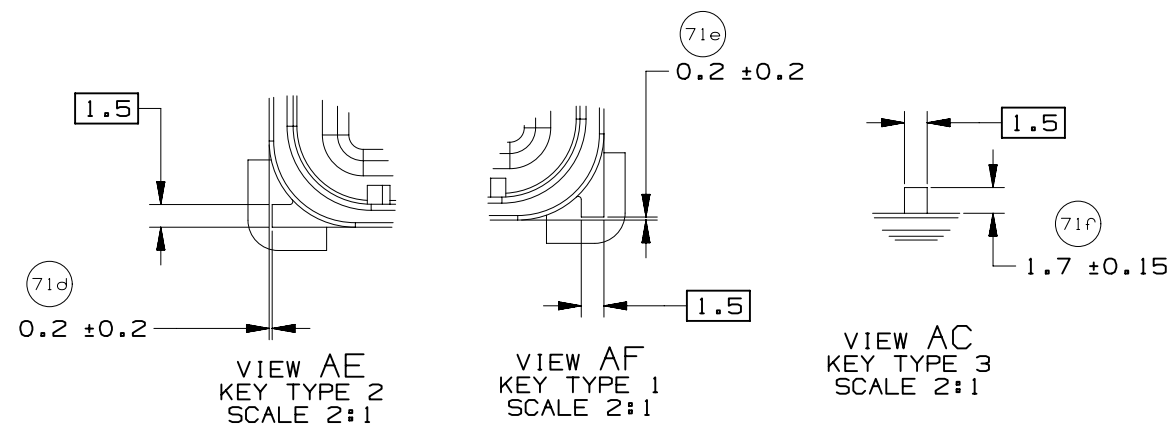
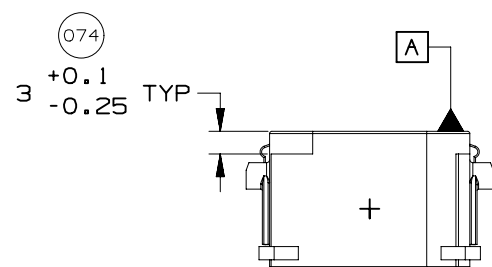
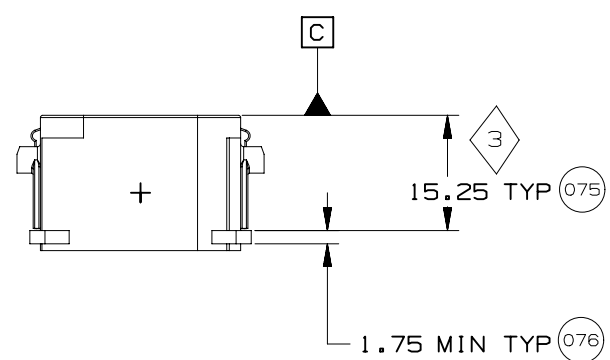
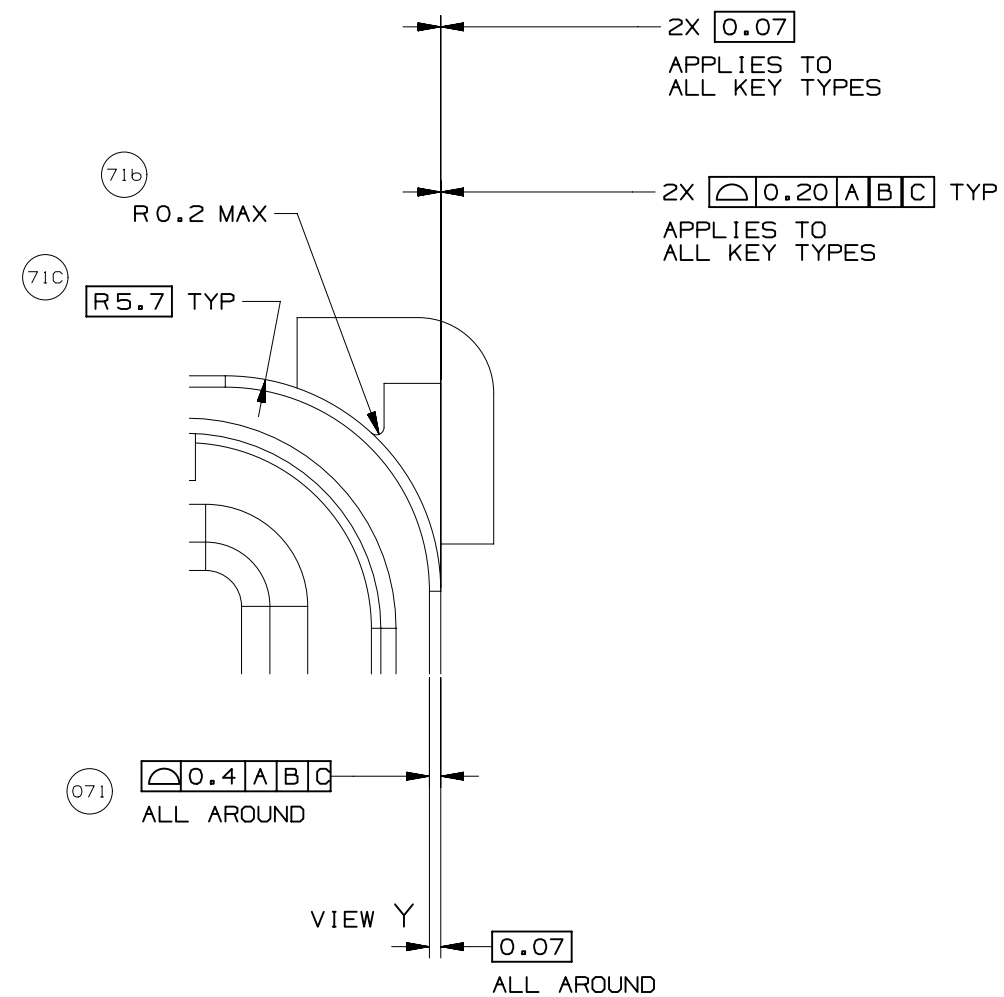
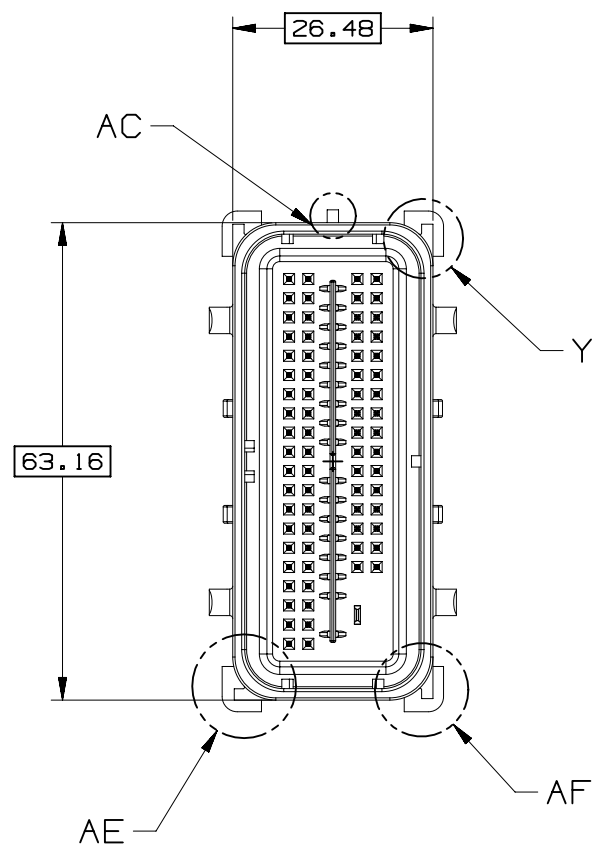
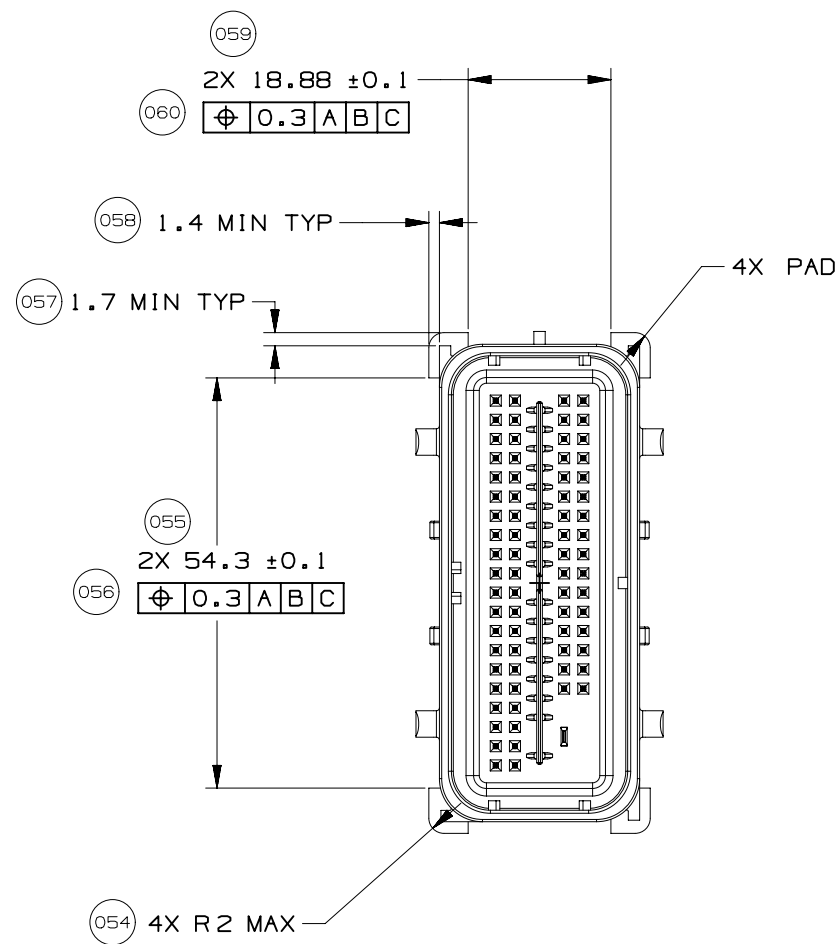
| DWG STATUS |     |     | PAGE NUMBER |
|------------|-----|-----|-------------|
| ST         | REV | PD1 |             |
| R          | 002 |     | 15 OF 21    |





SECTION F-F



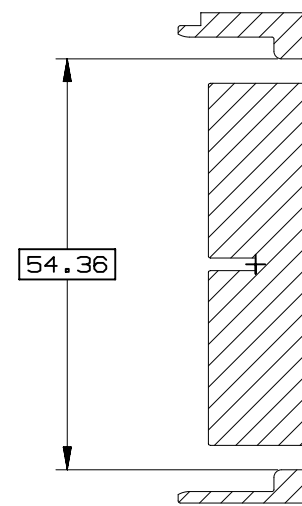
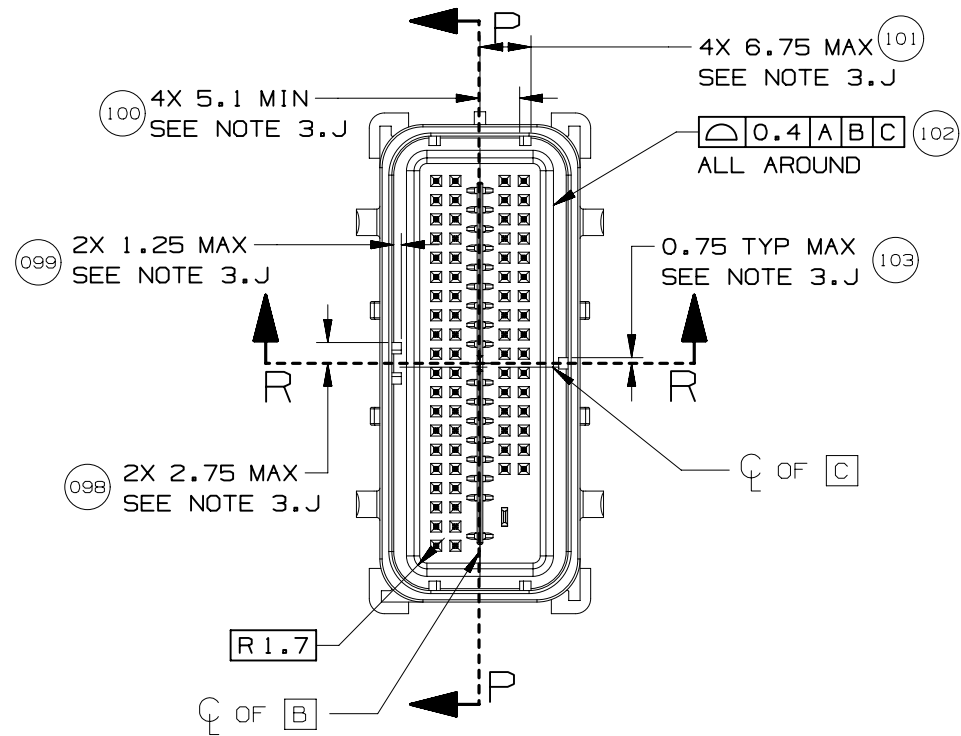


PAGE TITLE  
 COMPONENT CONNECTOR INTERFACE

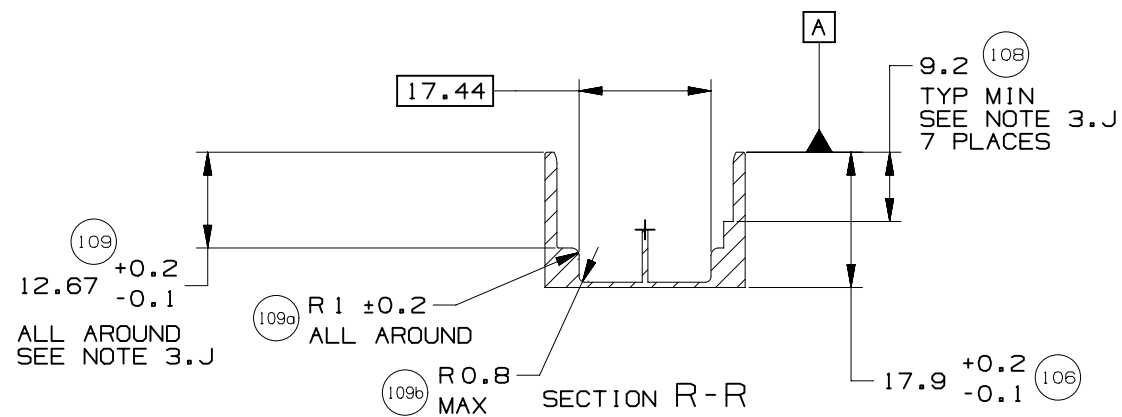
DRAWING NUMBER  
 12642695

| DWG STATUS |     |     | PAGE NUMBER |       |
|------------|-----|-----|-------------|-------|
| ST         | REV | PD1 |             |       |
| R          | 002 |     | 17          | OF 21 |





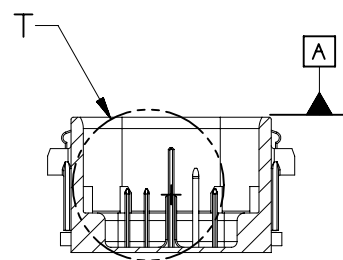
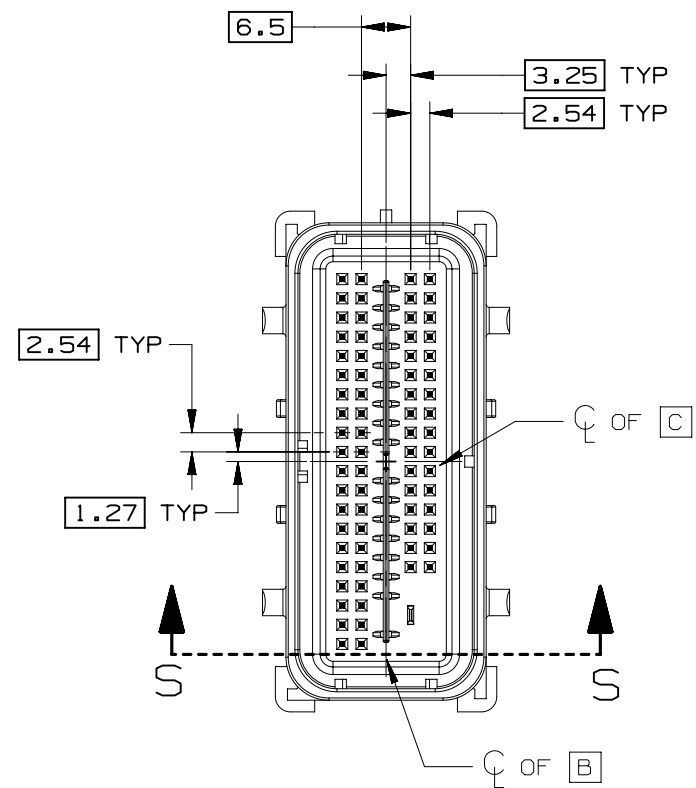
SECTION P-P



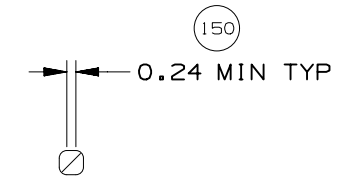
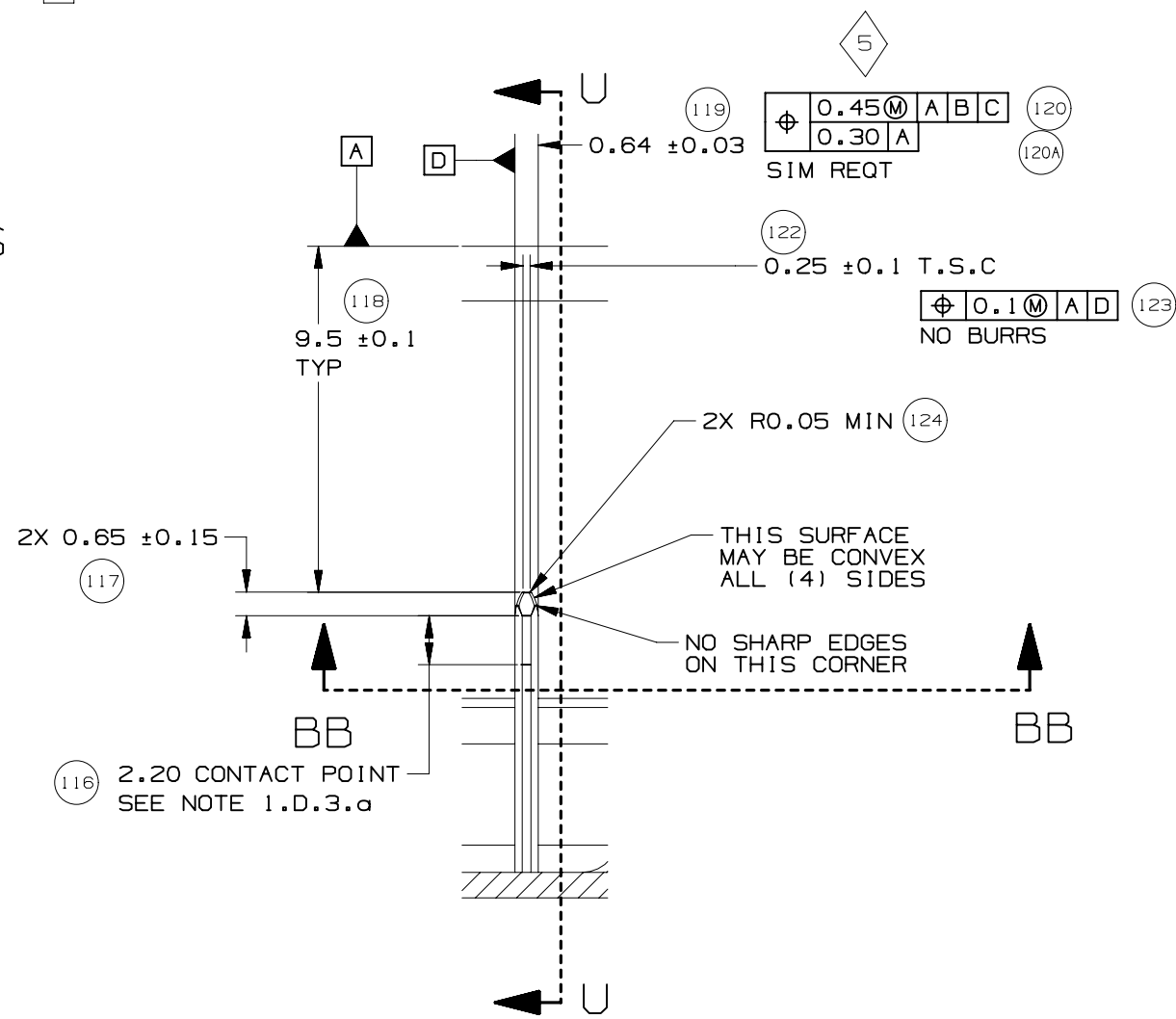
PAGE TITLE  
COMPONENT CONNECTOR INTERFACE

DRAWING NUMBER  
12642695

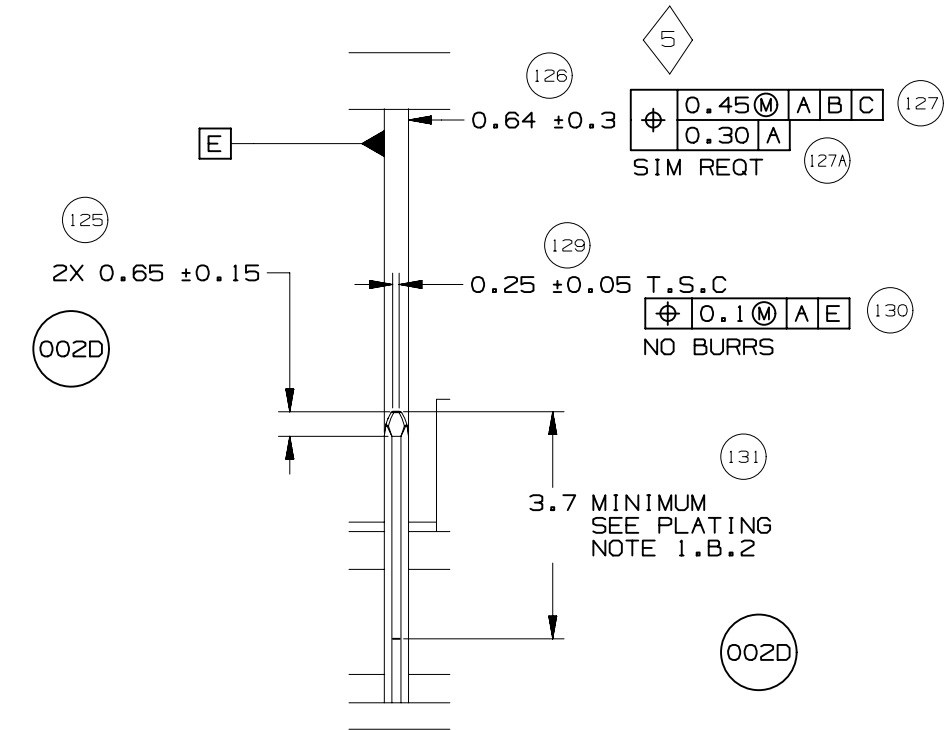
| DWG STATUS |     |     | PAGE NUMBER |       |
|------------|-----|-----|-------------|-------|
| ST         | REV | PD1 | 19          | OF 21 |
| R          | 002 |     |             |       |

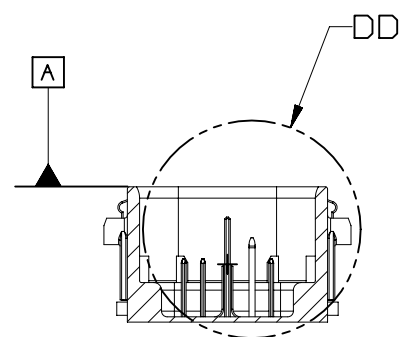
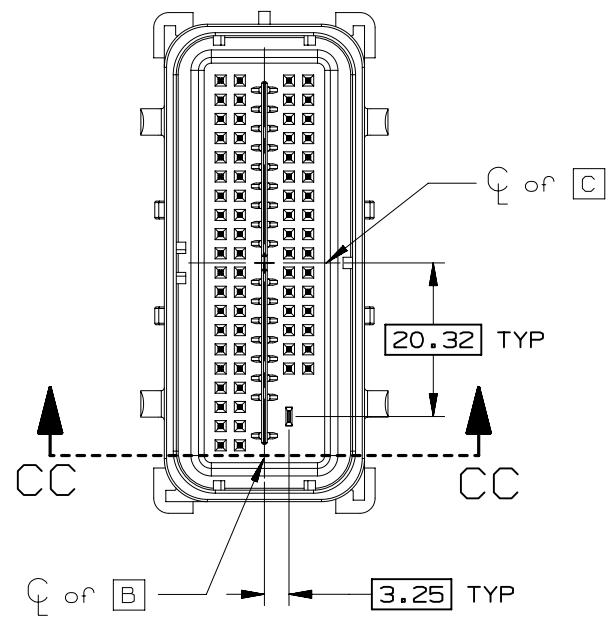


SECTION S-S

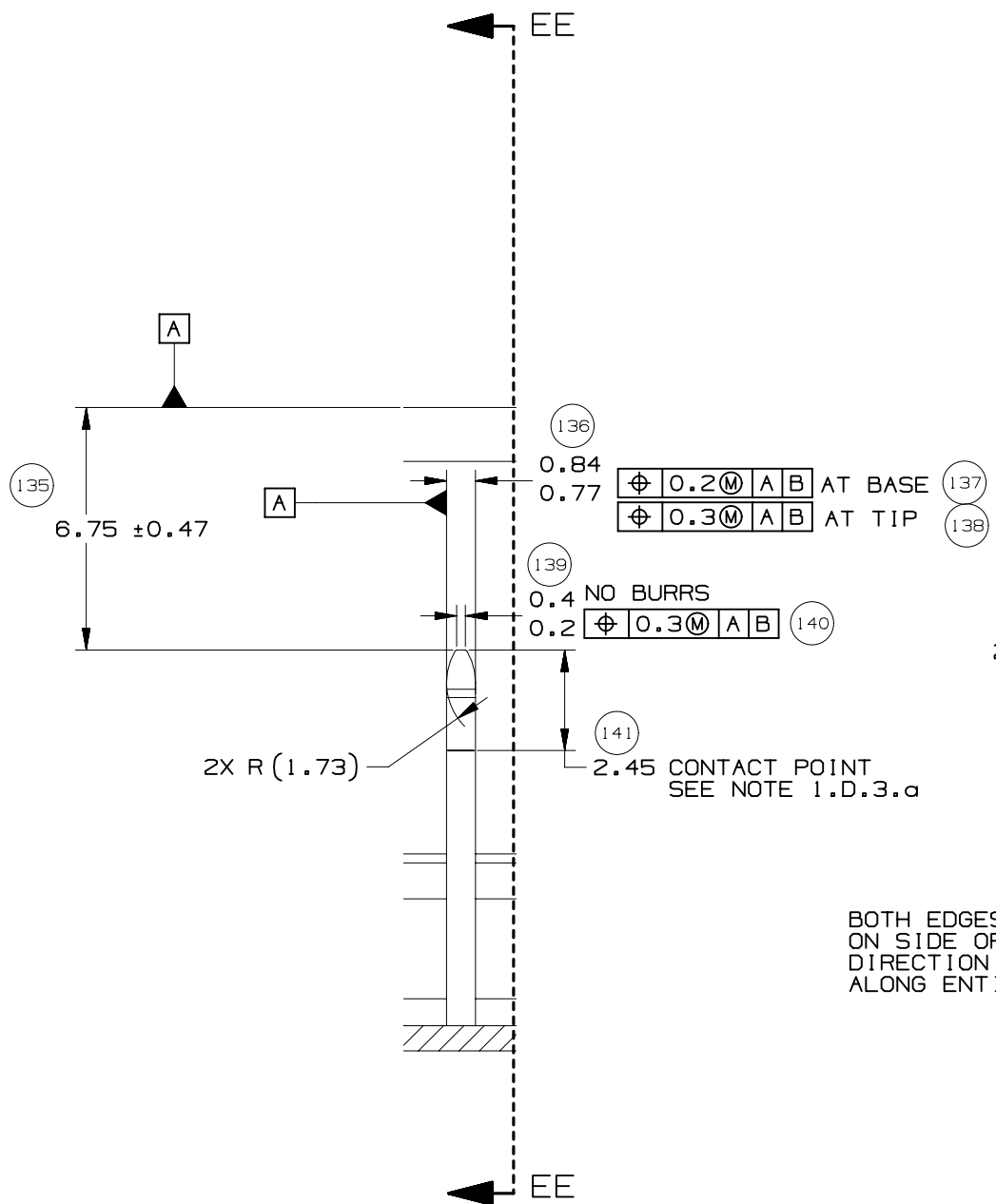


SECTION BB-BB

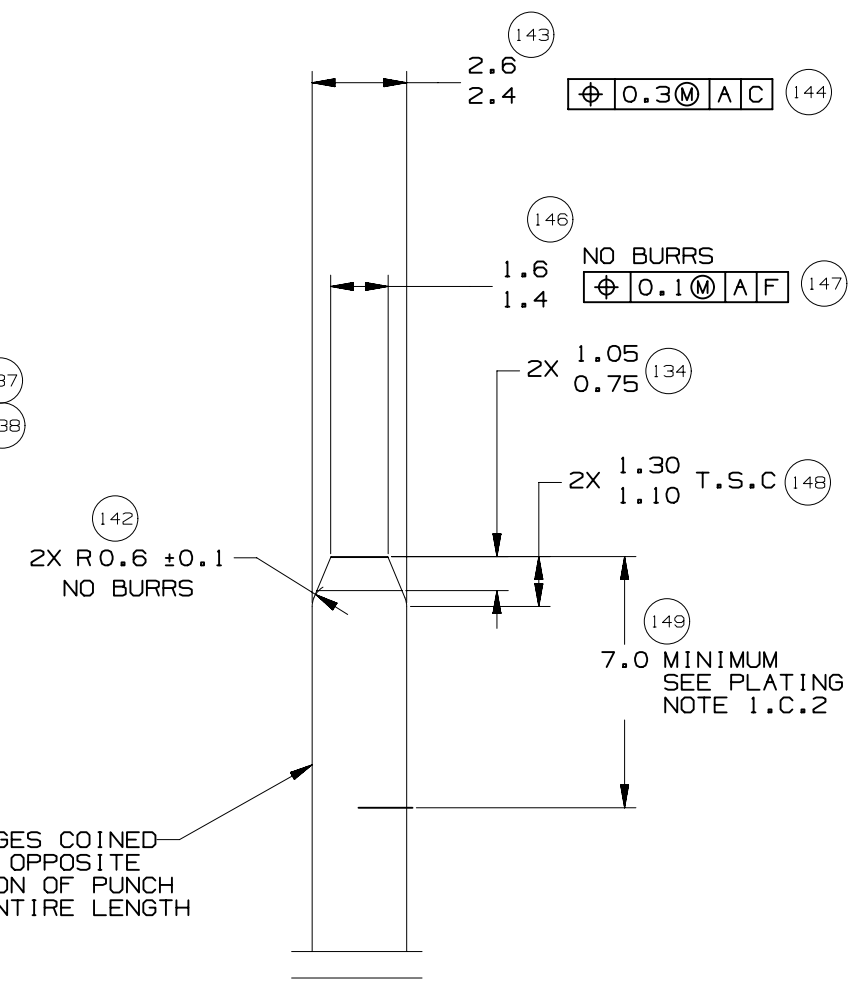




SECTION CC-CC



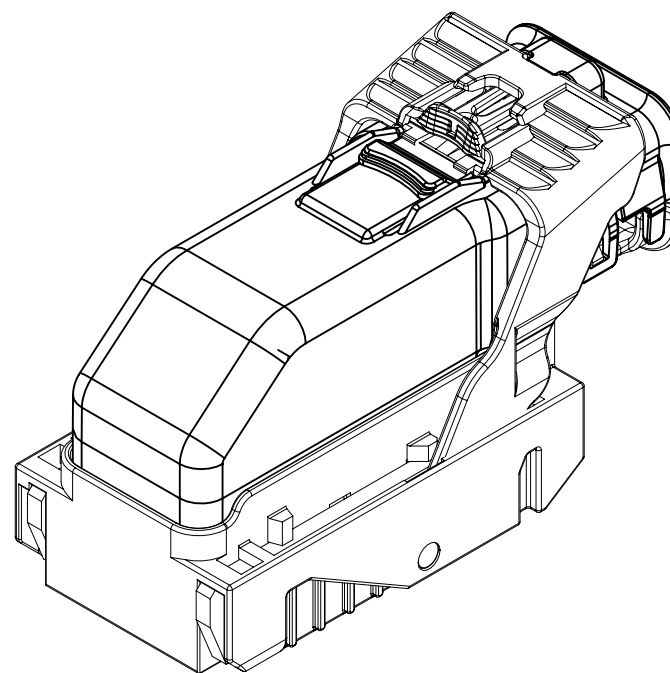
DETAIL DD  
TYPICAL  
SCALE 5:1




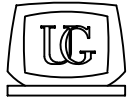
SECTION EE-EE  
TYPICAL

BOTH EDGES COINED  
ON SIDE OPPOSITE  
DIRECTION OF PUNCH  
ALONG ENTIRE LENGTH

| INDEX   |      |
|---|------|
| PAGE TITLE  | PAGE |
| TITLE BLOCK   | 1    |
| REVISION BLOCK  | 2    |
| PART BLOCK  | 3    |
| KPC BLOCK   | 4    |
| COMPONENT TABLE   | 5    |
| NOTES   | 6    |
| NOTES   | 7    |
| WIRE DRESS PACKAGING DIMENSIONS   | 8    |
| LOCATION AND PACKAGING DIMENSIONS<br>REFERENCING INTERFACE DATUMS B & C | 9    |
| LOCATION AND PACKAGING DIMENSIONS<br>REFERENCING INTERFACE DATUM A      | 10   |
| KEY ID REF - WIRE DRESS OPTION 0  | 11   |
| KEY ID REF - WIRE DRESS OPTION 9  | 12   |
| CIRCUIT CONFIGURATIONS  | 13   |
| CIRCUIT CONFIGURATIONS  | 14   |
| COMPONENT CONNECTOR INTERFACE   | 15   |
| COMPONENT CONNECTOR INTERFACE   | 16   |
| COMPONENT CONNECTOR INTERFACE   | 17   |
| COMPONENT CONNECTOR INTERFACE   | 18   |
| COMPONENT CONNECTOR INTERFACE   | 19   |
| COMPONENT CONNECTOR INTERFACE   | 20   |
| COMPONENT CONNECTOR INTERFACE   | 21   |
| ADDITIONAL COMPONENTS REQUIRED  | 22   |




ISO VIEW

|   |   |                                     |                  |        |
|---|---|-------------------------------------|------------------|--------|
|  | <p><b>UNLESS OTHERWISE SPECIFIED:</b> THIS DOCUMENT IS IN ACCORDANCE WITH ASME Y14.5M-1994 AS AMMENDED BY THE GM GLOBAL DIMENSIONING AND TOLERANCING ADDENDUM-1997. ALL GEOMETRIC TOLERANCES AND RELATED DATUMS APPLY RFS. RULE #1 (PERFECT FORM AT MMC) DOES NOT APPLY WHEN A RELATIONSHIP BETWEEN FEATURES IS ESTABLISHED BY ORIENTATION OR LOCATION TOLERANCES. SEPARATE POSITION CALLOUTS MAY BE GAGED SEPARATELY REGARDLESS OF DATUM REFERENCES.</p> |                                     |                  | DATE   |
|   | <br>CHANGE RESTRICTED<br>NO MANUAL CHANGES   | REFERENCE<br>12H (MOLEX AUTOMOTIVE) | DRAFTER<br>APVD1 | 05JN15 |
| DO NOT SCALE  |   | APVD2                               |                  |        |
| METRIC<br>DIMENSIONS SHOWN IN<br>MILLIMETERS UNLESS<br>OTHERWISE SPECIFIED            | DRAWING NAME  | APVD3                               |                  |        |
|   | HARNESS CONN ASM-SEALED 52/66/73/80 CKTS, MX123   | APVD4                               |                  |        |
|   |   | APVD5                               |                  |        |
|   | DRAWING NUMBER  | DWG STATUS                          |                  |        |
|   | 12672833  | ST                                  | REV              |        |
|   |   | R                                   | 001              |        |
|   |   | PAGE NUMBER                         |                  |        |
|   |   | 1                                   | OF 22            |        |

| PAGE | DWG STATUS |    |     |     |     | REVISION HISTORY                | AUTH   | DR  | CK | ENG |
|------|------------|----|-----|-----|-----|---------------------------------|--------|-----|----|-----|
|      | DATE       | ST | REV | CHG | PDI |                                 |        |     |    |     |
|      | 05JN15     | R  | 001 |     |     | RELEASED TO PRODUCTION AT DLS A | CRMRJE | DFK |    |     |

| PAGE | DWG STATUS |    |     |     |     | REVISION HISTORY | AUTH | DR | CK | ENG |
|------|------------|----|-----|-----|-----|------------------|------|----|----|-----|
|      | DATE       | ST | REV | CHG | PDI |                  |      |    |    |     |
|      |            |    |     |     |     |                  |      |    |    |     |

|   |                |                |            |     |     |             |         |
|---|----------------|----------------|------------|-----|-----|-------------|---------|
|  | PAGE TITLE     | DRAWING NUMBER | DWG STATUS |     |     | PAGE NUMBER |         |
|   | REVISION BLOCK |                | 12672833   | ST  | REV |             | PDI     |
|   |                |                | R          | 001 |     |             | 2 OF 22 |





KEY PRODUCT CHARACTERISTICS  
(IN ACCORDANCE WITH QN 1805 OR ON 1050)



SAFETY/COMPLIANCE

TOTAL ON  
DRAWING

4



FIT/FUNCTION

LAST NO.  
USED

4

| NO | TYPE | DESCRIPTION                     | RATIONALE                           | PAGE/ZONE |
|----|------|---------------------------------|-------------------------------------|-----------|
| 1  | F/F  | 32.68                           | IMPROVE CONNECTOR SYSTEM MATING     | 16        |
| 2  | F/F  | 29.00                           | INSURE PROPER RELEASE OF LEVER      | 16        |
| 3  | F/F  | 15.25                           | INSURE FINAL MATE POSITION          | 17        |
| 4  | F/F  | POSITIONAL TOLERANCE (2 PLACES) | INSURE CONNECTOR SYSTEM MATEABILITY | 20        |



PAGE TITLE  
KPC BLOCK

DRAWING NUMBER

12672833

DWG STATUS

|    |     |     |
|----|-----|-----|
| ST | REV | PDI |
|----|-----|-----|

|   |     |  |
|---|-----|--|
| R | 001 |  |
|---|-----|--|

PAGE NUMBER

4 OF 22

| LINE | MFG.   | MFG. P/N     | GM P/N   | EFFECTIVE DATE | APPLICABLE COMPONENTS  | KEY OPTION | WIRE DRESS OPTION | KEY CONFIG. | COLOR   | STATUS     |
|------|--------|--------------|----------|----------------|--|------------|-------------------|-------------|---------|------------|
|      |        |              |          |                | DESCRIPTION  |            |                   |             |         |            |
| -    |        |              |          |                |  |            |                   |             |         |            |
| 1    | MOLEX  | 34565-0003   | 12582676 | 02JN03         | MX123 DRESS COVER 52/66/73/80 CKT  | N/A        | N/A               | N/A         | BLACK   | AVAILABLE  |
| 2    | MOLEX  | 160094-0001  | 12672852 | 01SP13         | MX123 HRNS CONN ASSY 52 CKT  | A          | 0                 | 1458        | BLACK   | AVAILABLE  |
| 3    | MOLEX  | 160094-0003  | 12672854 | 01SP13         | MX123 HRNS CONN ASSY 52 CKT  | C          | 0                 | 2467        | BLUE    | AVAILABLE  |
| 4    | MOLEX  | 160094-0013  | 12672853 | 01SP13         | MX123 HRNS CONN ASSY 52 CKT  | A          | 9                 | 1458        | BLACK   | AVAILABLE  |
| 5    | MOLEX  | 160094-0015  | 12672855 | 01SP13         | MX123 HRNS CONN ASSY 52 CKT  | C          | 9                 | 2467        | BLUE    | AVAILABLE  |
| 6    | MOLEX  | 34822-0013   | 12672856 | 01SP13         | MX123 HRNS CONN ASSY 66 CKT  | A          | 0                 | 1458        | BLACK   | AVAILABLE  |
| 7    | MOLEX  | 34822-0033   | 12672858 | 01SP13         | MX123 HRNS CONN ASSY 66 CKT  | C          | 0                 | 2467        | BLUE    | AVAILABLE  |
| 8    | MOLEX  | 34822-0023   | 12672857 | 01SP13         | MX123 HRNS CONN ASSY 66 CKT  | A          | 9                 | 1458        | BLACK   | AVAILABLE  |
| 9    | MOLEX  | 34822-0043   | 12672859 | 01SP13         | MX123 HRNS CONN ASSY 66 CKT  | C          | 9                 | 2467        | BLUE    | AVAILABLE  |
| 10   | MOLEX  | 34566-0103   | 12672860 | 11JN04         | MX123 HRNS CONN ASSY 73 CKT  | A          | 0                 | 1458        | BLACK   | AVAILABLE  |
| 11   | MOLEX  | 34566-0203   | 12672862 | 11JN04         | MX123 HRNS CONN ASSY 73 CKT  | B          | 0                 | 1468        | ST GRAY | AVAILABLE  |
| 12   | MOLEX  | 34566-0303   | 12672864 | 09AP08         | MX123 HRNS CONN ASSY 73 CKT  | C          | 0                 | 2467        | BLUE    | AVAILABLE  |
| 13   | MOLEX  | 34566-0603   | 12672866 | 05DC14         | MX123 HRNS CONN ASSY 73 CKT  | F          | 0                 | 1357        | NATURAL | AVAILABLE  |
| 14   | MOLEX  | 34566-1303   | 12672861 | 11JN04         | MX123 HRNS CONN ASSY 73 CKT  | A          | 9                 | 1458        | BLACK   | AVAILABLE  |
| 15   | MOLEX  | 34566-1403   | 12672863 | 11JN04         | MX123 HRNS CONN ASSY 73 CKT  | B          | 9                 | 1468        | ST GRAY | AVAILABLE  |
| 16   | MOLEX  | 34566-1503   | 12672865 | 09AP08         | MX123 HRNS CONN ASSY 73 CKT  | C          | 9                 | 2467        | BLUE    | AVAILABLE  |
| 17   | MOLEX  | 34566-1803   | 12672867 | 05DC14         | MX123 HRNS CONN ASSY 73 CKT  | F          | 9                 | 1357        | NATURAL | AVAILABLE  |
| 18   | MOLEX  | 34566-0703   | 12672872 | 09AP08         | MX123 HRNS CONN ASSY 80 CKT  | G          | 0                 | 1358        | BLUE    | AVAILABLE  |
| 19   | MOLEX  | 34566-0803   | 12672870 | 11JN04         | MX123 HRNS CONN ASSY 80 CKT  | H          | 0                 | 2458        | ST GRAY | AVAILABLE  |
| 20   | MOLEX  | 34566-0903   | 12672868 | T.B.D          | MX123 HRNS CONN ASSY 80 CKT  | J          | 0                 | 2457        | BLACK   | NOT ACTIVE |
| 21   | MOLEX  | 34566-1903   | 12672873 | 09AP08         | MX123 HRNS CONN ASSY 80 CKT  | G          | 9                 | 1358        | BLUE    | AVAILABLE  |
| 22   | MOLEX  | 34566-2003   | 12672871 | 11JN04         | MX123 HRNS CONN ASSY 80 CKT  | H          | 9                 | 2458        | ST GRAY | AVAILABLE  |
| 23   | MOLEX  | 34566-2103   | 12672869 | T.B.D          | MX123 HRNS CONN ASSY 80 CKT  | J          | 9                 | 2457        | BLACK   | NOT ACTIVE |
| 24   | MOLEX  | 34736-0028   | 12672851 | 01AU10         | MX64 RCPT TERM Ag 0.5mm/0.75mm ISO GAGE B (RIGHT PAYOFF)   | N/A        | N/A               | N/A         | N/A     | AVAILABLE  |
| 25   | MOLEX  | 34736-0026   | 12672850 | 01AU10         | MX64 RCPT TERM Ag 0.35mm ISO GAGE B (RIGHT PAYOFF)   | N/A        | N/A               | N/A         | N/A     | AVAILABLE  |
| 26   | MOLEX  | 34586-0001   | 12674820 | 11JN04         | MX123 0.64mm GROMMET PLUG  | N/A        | N/A               | N/A         | NATURAL | AVAILABLE  |
| 27   | YAZAKI | 7116-4150-02 | 12588066 | 02JN03         | 2.8mm YESC SEALED FEMALE TERMINAL TIN 0.35mm2-0.50mm2  | N/A        | N/A               | N/A         | N/A     | NOT ACTIVE |
| 28   | YAZAKI | 7116-4151-02 | 12588067 | 02JN03         | 2.8mm YESC SEALED FEMALE TERMINAL TIN 0.75mm2-1.0mm2   | N/A        | N/A               | N/A         | N/A     | NOT ACTIVE |
| 29   | YAZAKI | 7116-4152-02 | 12582685 | 02JN03         | 2.8mm YESC SEALED FEMALE TERMINAL TIN 1.5mm2-2.5mm2  | N/A        | N/A               | N/A         | N/A     | AVAILABLE  |
| 30   | YAZAKI | 7158-3111-60 | 12588068 | 02JN03         | 2.8mm CABLE SEAL (wire O.D. range 1.2mm-1.9mm)   | N/A        | N/A               | N/A         | GREEN   | NOT ACTIVE |
| 31   | YAZAKI | 7158-3112-70 | 12588069 | 02JN03         | 2.8mm CABLE SEAL (wire O.D. range 1.8mm-2.3mm)   | N/A        | N/A               | N/A         | YELLOW  | NOT ACTIVE |
| 32   | YAZAKI | 7158-3113-40 | 12582686 | 02JN03         | 2.8mm CABLE SEAL (wire O.D. range 2.1mm-3.0mm)   | N/A        | N/A               | N/A         | WHITE   | AVAILABLE  |
| 33   | YAZAKI | 7158-3114-90 | 12674821 | 02JN03         | 2.8mm YESC CAVITY PLUG   | N/A        | N/A               | N/A         | BLUE    | AVAILABLE  |
| 34   | MOLEX  | 63825-8400   | N/A      | 02JN03         | MX64 TERM HAND CRIMP TOOL  | N/A        | N/A               | N/A         | N/A     | AVAILABLE  |
| 35   | MOLEX  | 63813-1400   | XX019826 | 02JN03         | MX64 TERM SERVICE TOOL   | N/A        | N/A               | N/A         | N/A     | AVAILABLE  |
| 36   | MOLEX  | 63902-5300   | N/A      | 02JN03         | MX64 CRIMP APPLICATOR with TOOL KIT 0.5/0.75mm2 PAYOFF DIRECTION D (left payoff) (contact Molex for payoff detail) | N/A        | N/A               | N/A         | N/A     | AVAILABLE  |
| 37   | MOLEX  | 63902-5370   | N/A      | 02JN03         | MX64 APPLICATOR TOOL KIT 0.5/0.75mm2   | N/A        | N/A               | N/A         | N/A     | AVAILABLE  |
| 38   | MOLEX  | 63902-5100   | N/A      | 02JN03         | MX64 CRIMP APPLICATOR with TOOL KIT 0.35mm2 PAYOFF DIRECTION D (left payoff) (contact Molex for payoff detail)     | N/A        | N/A               | N/A         | N/A     | AVAILABLE  |
| 39   | MOLEX  | 63902-5170   | N/A      | 02JN03         | MX64 APPLICATOR TOOL KIT 0.35mm2   | N/A        | N/A               | N/A         | N/A     | AVAILABLE  |
| 40   | SPX    | J35616-64    | T.B.D.   | 02JN03         | 0.64mm PROBE TOOL (for rcpt)   | N/A        | N/A               | N/A         | N/A     | AVAILABLE  |
| 41   | SPX    | J35616-64A   | T.B.D.   | 02JN03         | 0.64mm PROBE TOOL WITH EXT (for rcpt)  | N/A        | N/A               | N/A         | N/A     | AVAILABLE  |
| 42   | SPX    | J35616-65    | T.B.D.   | 02JN03         | 0.64mm PROBE TOOL WITH EXT (for pin)   | N/A        | N/A               | N/A         | N/A     | AVAILABLE  |
| 43   | SPX    | J35616-4A    | T.B.D.   | 02JN03         | 2.8mm PROBE TOOL (for rcpt)  | N/A        | N/A               | N/A         | N/A     | AVAILABLE  |
| 44   | YAZAKI | X39899-J374  | 12094430 | 02JN03         | 2.8mm TERM SERVICE TOOL  | N/A        | N/A               | N/A         | N/A     | AVAILABLE  |
| 45   | TQI    | 7000-1006    | N/A      | 15JN15         | 52 CKT PASS THROUGH ADAPTERS   | N/A        | N/A               | N/A         | BLACK   | AVAILABLE  |
| 46   | TQI    | 7000-1002    | N/A      | 15JN15         | 66 CKT PASS THROUGH ADAPTERS   | N/A        | N/A               | N/A         | BLACK   | AVAILABLE  |
| 47   | TQI    | 79917-0061   | N/A      | 15JN15         | 73 CKT PASS THROUGH ADAPTERS   | N/A        | N/A               | N/A         | BLACK   | AVAILABLE  |
| 48   | TQI    | 79917-0066   | N/A      | 15JN15         | 80 CKT PASS THROUGH ADAPTERS   | N/A        | N/A               | N/A         | BLACK   | AVAILABLE  |

\* - MX123 DRESS COVER 52/66/73/80 CKT MATES TO ANY MX123 HARN CONN ASSY SHOWN ON TABLE ABOVE



PAGE TITLE  
COMPONENT TABLE

DRAWING NUMBER

12672833

DWG STATUS

|    |     |     |
|----|-----|-----|
| ST | REV | PD1 |
| R  | 001 |     |

PAGE NUMBER

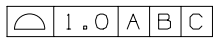
5 OF 22

NOTES: UNLESS OTHERWISE SPECIFIED

1. MATERIAL FOR INTERFACE:


- A. RESIN:
  - 1. 30% G.F. PBT; 20% MAX. (BY WEIGHT) REGRIND.
  - 2. MATING CONNECTOR INTERFACE PART COLOR MUST BE SAME AS MATCHING KEYED HARNESS CONNECTOR ASSEMBLY.
  - 3. MUST BE VALIDATED FOR INDIVIDUAL DEVICE APPLICATION REQUIREMENTS.
- B. 0.64MM PINS:
  - 1. BASE MATERIAL: COPPER ALLOY; CONDUCTIVITY >= 28% IACS AT 20°C; TENSILE STRENGTH >= 635 N/mm<sup>2</sup>; SURFACE ROUGHNESS R<sub>a</sub> 6 MAX.
  - 2. PLATING FINISH: SILVER (Ag). PLATING TO BE 1.9-3.3 μm ELECTRODEPOSITED SEMI-BRIGHT SILVER OVER 1.25-2.25 μm DUCTILE SULPHAMATE NICKEL PER NOTE 1(D).
  - 3. ANTI-TARNISH: SYNTHETIC HYDROCARBON CONTACT SURFACE FINISH OR EQUIVALENT APPLIED WITHOUT VOID TO CONTACT AREA (MIN 3.7mm FROM PIN TIP).
- C. 2.8MM BLADE:
  - 1. BASE MATERIAL: COPPER ALLOY; CONDUCTIVITY >= 28% IACS AT 20°C; TENSILE STRENGTH >= 350 N/mm<sup>2</sup>; SURFACE ROUGHNESS R<sub>a</sub> 6 MAX.
  - 2. PLATING FINISH: TIN. PLATING TO BE 2.5-5.0 μm ELECTRODEPOSITED TIN, MATTE FINISH OVER 1.25-2.5 μm DUCTILE SULPHAMATE NICKEL PER NOTE 1(D).
- D. PLATING REQUIREMENTS:
  - 1. SILVER PLATING
    - a. 99.5% PURE SEMI-BRIGHT WITH NO ORGANIC BRIGHTNERS OR CHROMATES.
  - 2. NICKEL PLATING
    - a. ELECTRODEPOSITED DUCTILE SULFAMATE NICKEL WITH A NON-BRIGHTENED FINISH. NO ORGANIC OR BRIGHTENING AGENTS SHALL BE ALLOWED.
    - b. SHALL ONLY BE USED AS AN UNDERLYING PLATING AND MAY NOT BE USED AS AN ELECTRICAL CONTACT SURFACE PLATING.
    - c. SHALL BE NODULE FREE WHEN VIEWED AT 10X MAGNIFICATION IN MEASURED IN CONTACT SURFACE AREA PLUS 0.5MM PERIMETER AROUND THE CONTACT SURFACE AREA.
    - d. ALL PLATINGS SHALL HAVE A 1.0% MAXIMUM BY WEIGHT IMPURITIES. IMPURITIES ARE DEFINED AS ALL ELEMENTS NOT THE PRIMARY PLATING OR HARDENING AGENT IF APPLICABLE, AS DETERMINED BY WET CHEMICAL ANALYSIS OR AUGER METHOD. NO SINGLE IMPURITY SHALL EXCEED 0.1% MAXIMUM BY WEIGHT.
  - 3. TESTING
    - a. THICKNESS TO BE MEASURED IN CONTACT SURFACE AREA PLUS 0.5MM PERIMETER AROUND THE CONTACT SURFACE AREA AS DESIGNATED IN THE DRAWING. THICKNESS SHALL BE DETERMINED BY METHOD OF X-RAY (XRF).
    - b. PLATING ADHESION SHALL BE TESTED BY A BEND TEST FOR ALL METALS. THE TEST SAMPLE SHALL BE BENT 90 DEGREES TO DETERMINE DEPOSIT ADHESION. TESTING SHALL BE COMPLETED IN ACCORDANCE WITH ASTM SPEC B571.

2. DESIGN - GENERAL:

- A. THIS IS A 100% CAD GENERATED PART. THE CAD MATHEMATICAL DATA IS THE MASTER FOR THIS PART. FOR DIMENSIONAL OR ANY INFORMATION NOT SHOWN ON THIS DRAWING, ANALYZE THE CAD MODEL.
- B. TOLERANCES:
  - 1. LINEAR
    - 0.X ± 0.30
    - 0.XX ± 0.10
    - 0.XXX ± 0.10
  - 2. ANGULAR X° ± 3°
  - 3. 
- C. MINIMUM WALL THICKNESS REQUIRED: 1.3mm.
- D. CORNERS SHOWN AS SHARP TO BE R 0.2 MAX.
- E. LETTERING SHALL BE 0.15 MAX RAISED IN 0.20 MAX RECESS PAD. THIS INCLUDES MATERIAL CODE, RECYCLING CODE, CAVITY ID AND DATE CODE.
- F-1. PARTS MUST BE FREE OF DISCOLORATION, SALT RESIDUE AND OTHER IMPERFECTIONS THAT AFFECT FIT OR FUNCTION.
- F-2. SCRATCHES OR DENTS NOT TO EXCEED 0.013mm IN DEPTH.
- G. FOLLOWING PRODUCTION CODES TO BE PERMANENTLY MARKED & HUMAN READABLE TO A LETTER HEIGHT OF 1.5 ± 0.5MM X 0.3 MAX DEEP
  - 1. MATERIAL #: XXXXX-XXXX
  - 2. DATE CODE: JJYY (JULIAN DAY, LAST DIGIT OF YEAR)
  - 3. INSPECTION MACHINE CODE + SERIAL #: X\_XXXXX

3. DESIGN - MANUFACTURING:

- A. DRAFT TO BE WITHIN TOLERANCE.
- B. ALLOWABLE FLASH MAX 0.2 HIGH X MAX 0.13 THICK.
- C. ALLOWABLE PARTING LINE MISMATCH 0.2 MAX.
- D. EJECTOR PINS MARK TO BE FLUSH TO 0.25 MAX DEPRESSED.
- E. ALLOWABLE GATE VESTIGE FLUSH TO 0.25 MAX PROTRUSION.
- F. NO EXTERNAL MOLD RELEASE AGENT ALLOWED DURING MANUFACTURING.
- G. STEEL THAT FORMS THE INDICATED SURFACE MUST BE POLISHED WITH A DIAMOND FINISH (SPI A-2) OVER THE FULL PERIPHERY OF THE TOOL. SURFACE MUST HAVE NO MISMATCH.
- H. ANY PROCESS LUBRICANT REMAINING ON THE TERMINAL MUST NOT VARNISH OR DEGRADE IT'S ELECTRICAL PERFORMANCE UP TO A MAXIMUM CLASS AMBIENT TEMPERATURE PER SAE USCAR-2 FOR 1008 HOURS. PROCESS LUBRICANTS SHOULD BE APPROVED BY THE RESPONSIBLE ENGINEER.
- J. OPTIONAL FEATURES PROVIDED FOR AUTOMATION.
- K. PART MUST BE FREE FROM BURRS AND SHARP EDGES, WHICH MIGHT BE DETRIMENTAL TO SATISFACTORY ASSEMBLY, SAFE HANDLING OR FUNCTION OF PART.
- L. PARTS AS DELIVERED TO ASSEMBLY SHALL BE CLEAN AND FREE OF DEBRIS, RESIDUAL ABRASIVE MATERIAL AND CORROSION PRODUCTS ADVERESLY AFFECTING FUNCTION OR APPEARANCE.
- M. RESTRICTED AND REPORTABLE SUBSTANCES FOR PARTS PER GMW3059.

|   |            |                |            |    |     |             |         |
|---|------------|----------------|------------|----|-----|-------------|---------|
|  | PAGE TITLE | DRAWING NUMBER | DWG STATUS |    |     | PAGE NUMBER |         |
|   | NOTES      |                | 12672833   | ST | REV | PDI         | 6 OF 22 |
|   |            |                |            | R  | 001 |             |         |

NOTES: UNLESS OTHERWISE SPECIFIED

4. SYSTEM REQUIREMENTS:

- A. HARNESS CONNECTOR IS COMPATIBLE WITH THE FOLLOWING ISO WIRE SIZE NO'S:  
 0.35mm<sup>2</sup>, MEETING GMW15626 - MIN OD OF 1.30MM  
 0.50mm<sup>2</sup>, MEETING GMW15626  
 0.75mm<sup>2</sup>, MEETING GMW15626 - MAX OD OF 2.06MM

B. CABLE TIE SPECIFICATIONS:

1. CABLE TIE:
  - TENSILE RATING: 220N / (50lbs) MIN
  - TIE LENGTH: 186mm MIN
  - TIE WIDTH: 4.75mm MAX
  - MATERIAL: NYLON
2. INSTALLATION:
  - CABLE TIE TENSION: 190N MIN
3. DRESSED WIRE BUNDLE PACKAGING: SEE FIG. 1

C. WHEN MATED WITH COMPONENT CONNECTOR INTERFACE AND/OR DRESS COVER, HARNESS CONNECTOR SYSTEM CONFORMS TO THE FOLLOWING:

1. SAE/USCAR-2, REV: 3 APRIL, 2001; CLASS 3
2. FIELD CORRELATED LIFE TEST, SAE/USCAR-20, NOV. 2001
3. GMW #3191 AUGUST 22, 2000 (DRAFT); TEMPERATURE CLASS 3, SEALING CLASS 1, VIBRATION CLASS 2
4. RESTRICTED AND REPORTABLE CHEMICALS PER GMW #3059, REV: D AUGUST 2002
5. TPA USER FORCES (FULLY POPULATED WITH TERMINALS)
  - a. REMOVAL FROM LOCK TO PRE-SET: <=120N

D. WIRE SPECIFICATIONS:

1. WIRE SURFACE MUST BE FREE OF SCRATCHES, GROOVES OR DENTS WHERE FUNCTIONAL

5. TERMINAL CURRENT RATINGS:

A. MX64 RCPT TERM

ALL TESTING DONE IN ACCORDANCE WITH USCAR-2 REV5 SECTION 5.3

1. MX64 RCPT TERM Ag 0.50/0.75mm<sup>2</sup> CRIMPED TO 0.75mm<sup>2</sup> ISO WIRE AND MATED TO MX123 0.64MM PIN: SEE TABLE BELOW
2. MX64 RCPT TERM Ag 0.35mm<sup>2</sup> CRIMPED TO 0.35mm<sup>2</sup> ISO WIRE AND MATED TO MX123 0.64MM PIN: SEE TABLE BELOW

| WIRE                | CURRENT RATING |       |       |       |
|---------------------|----------------|-------|-------|-------|
|                     | 23°C           | 85°C  | 105°C | 125°C |
| 0.75mm <sup>2</sup> | 11.3A          | 11.3A | 9.5A  | 6.6A  |
| 0.50mm <sup>2</sup> | 10.0A          | 10.0A | 8.3A  | 5.7A  |
| 0.35mm <sup>2</sup> | 8.5A           | 8.5A  | 7.1A  | 5.0A  |

B. 2.8MM RCPT TERM

ALL TESTING DONE IN ACCORDANCE WITH MOLEX DVP&R 0279 (TR # 7125)

1. 2.8MM RCPT TERM TIN 2.0mm<sup>2</sup> CRIMPED TO 2.0mm<sup>2</sup> ISO WIRE AND MATED TO MX123 2.8MM BLADE: 25.6 AMPS AT 125°C

6. CONTACT MOLEX AUTOMOTIVE FOR AVAILABLE CUSTOM PATTERNS OF CAVITIES OPEN FOR CIRCUITS - SEE GM DRAWING 13507496



PAGE TITLE  
NOTES

DRAWING NUMBER

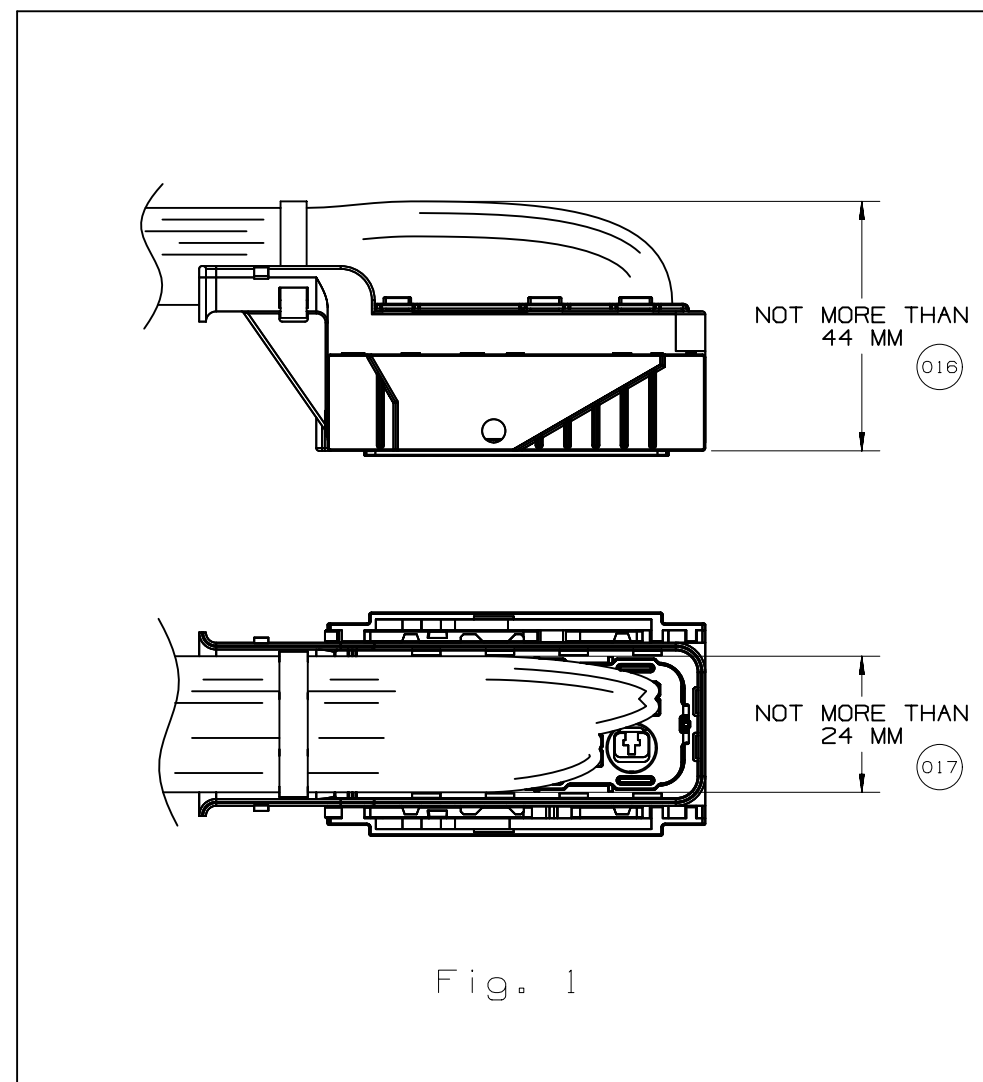
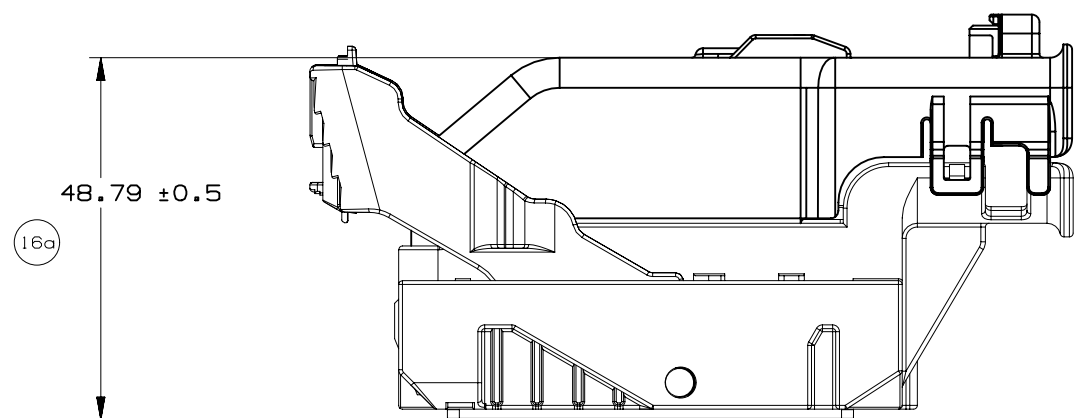
12672833

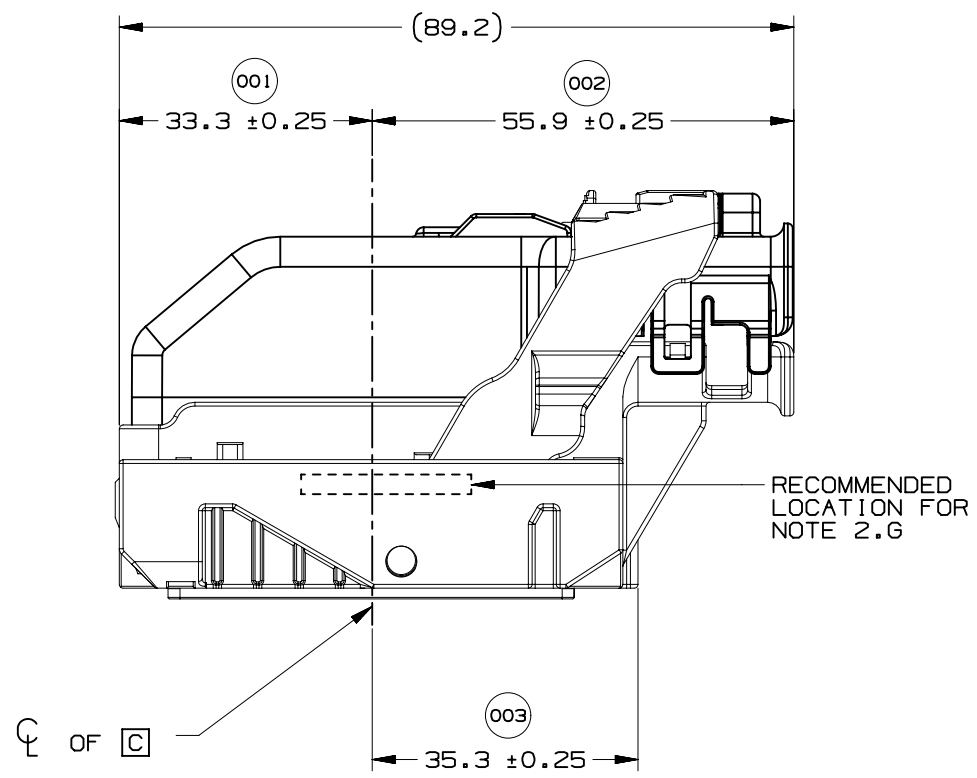
DWG STATUS

| ST | REV | PDI |
|----|-----|-----|
| R  | 001 |     |

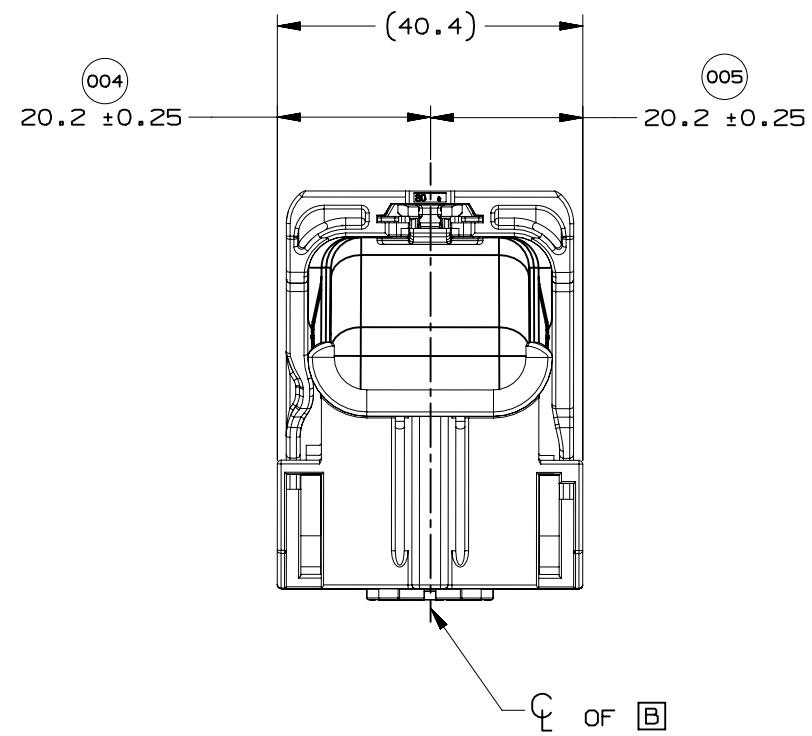
PAGE NUMBER

7 OF 22

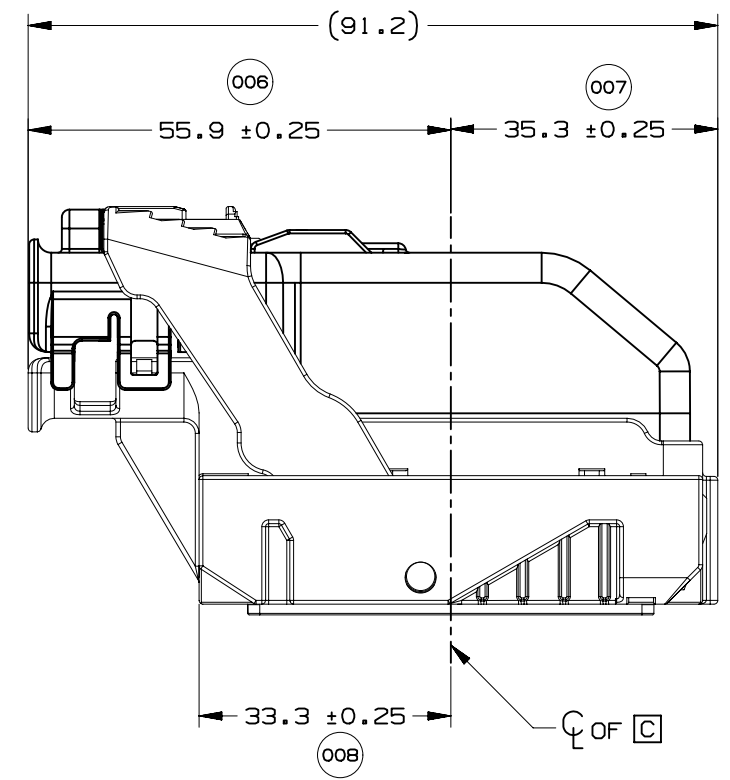




WIRE DRESS OPTION 0 SHOWN

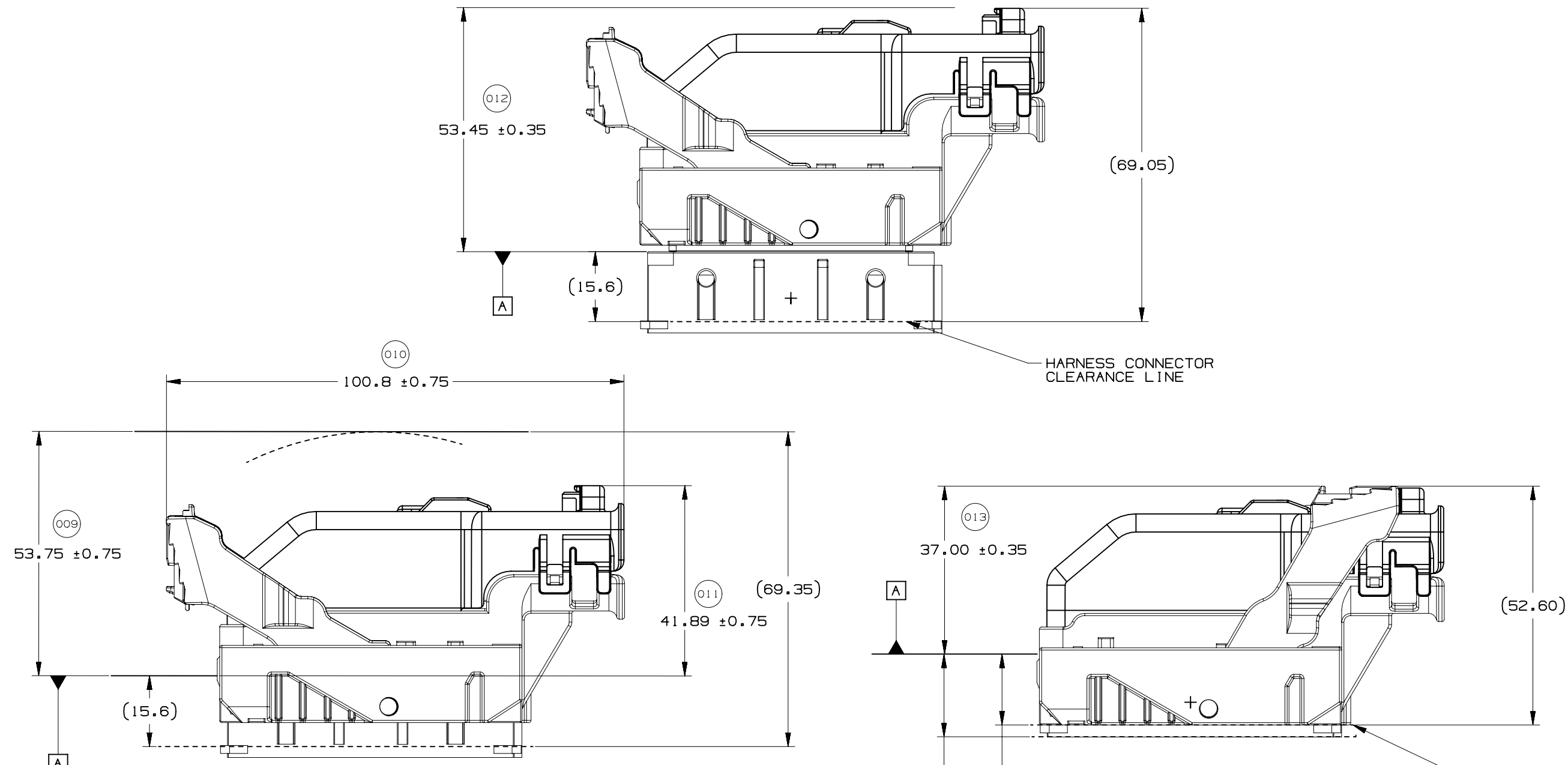


WIRE DRESS OPTION 0 SHOWN



WIRE DRESS OPTION 9 SHOWN





HARNESS CONNECTOR CLEARANCE LINE

HARNESS CONNECTOR ASSEMBLY IN FULLY-MATED POSITION

HARNESS CONNECTOR CLEARANCE LINE

15.6 MIN. ALL AROUND CLEARANCE REQUIRED FOR HARNESS CONNECTOR (014)

17.9 MIN. AT PAD LOCATION CLEARANCE REQUIRED FOR HARNESS CONNECTOR CONSTRUCTION BELOW THIS PLANE IS NOT CONTROLLED (015)



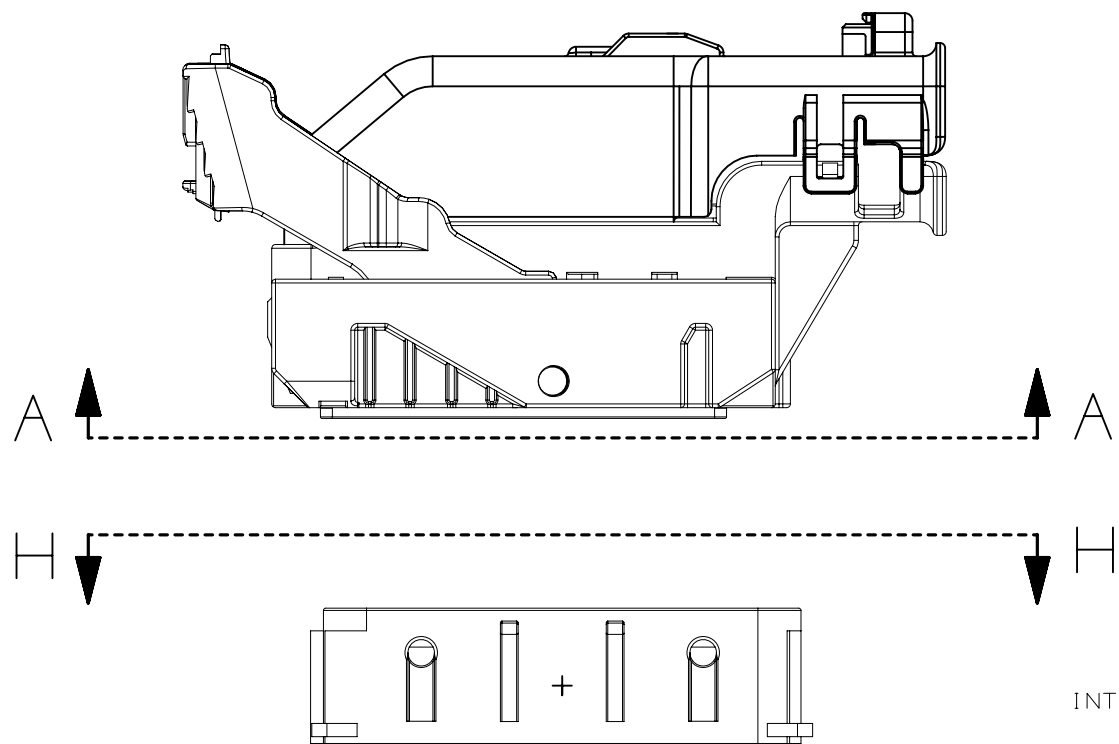
PAGE TITLE  
 LOCATION AND PACKAGING DIMENSIONS  
 REFERENCING INTERFACE DATUM A

DRAWING NUMBER  
 12672833

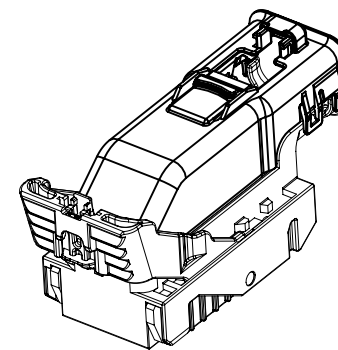
| DWG STATUS |     |     |
|------------|-----|-----|
| ST         | REV | PD1 |
| R          | 001 |     |

PAGE NUMBER  
 10 OF 22

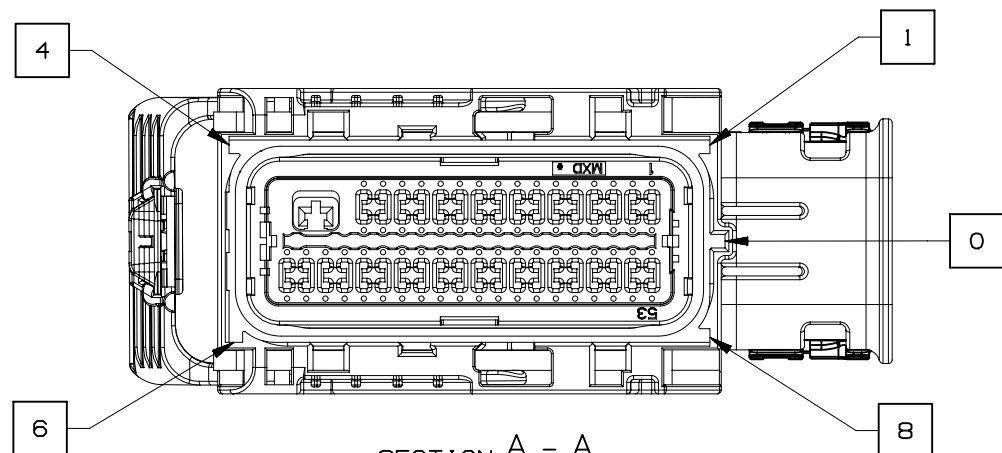
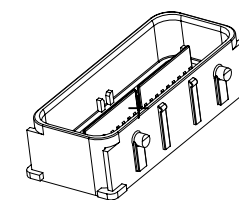




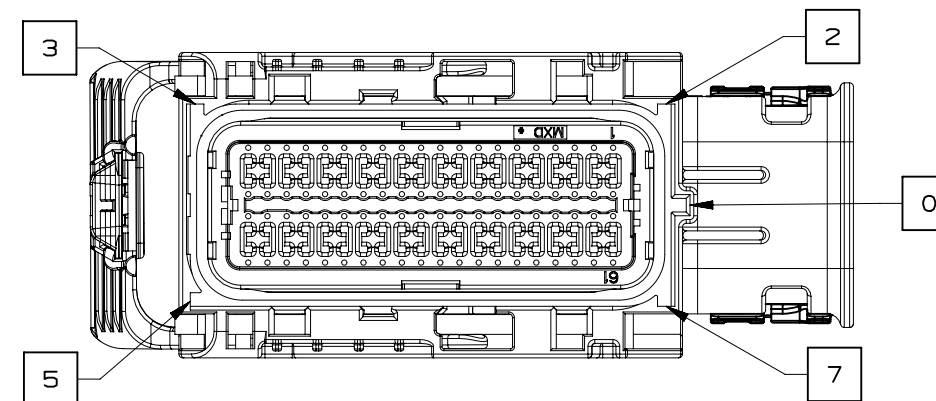
INTERFACE SIDE SHOWN ON ALL SECTION VIEWS



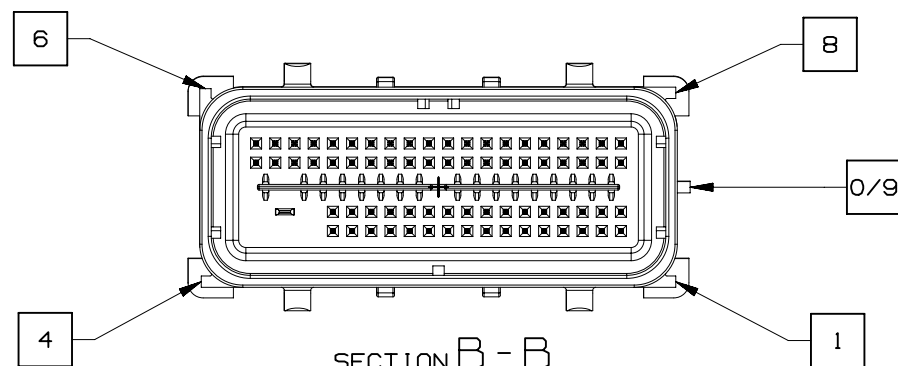
NOTE: REFERENCE THE COMPONENT TABLE FOR KEY OPTIONS AND CONFIGURATIONS



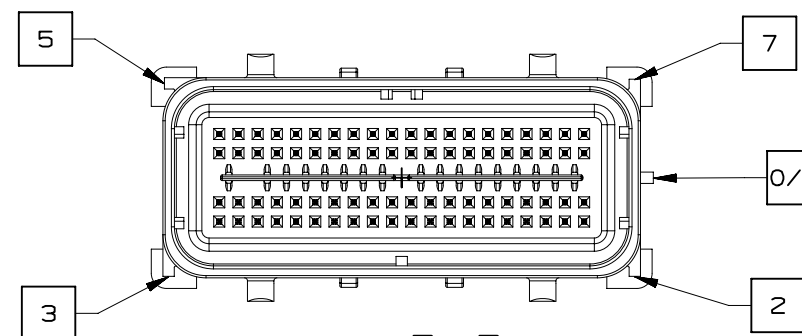
SECTION A - A  
73 CKT HARNESS CONNECTOR ASSEMBLY  
KEY OPTION B SHOWN



SECTION A - A  
80 CKT HARNESS CONNECTOR ASSEMBLY  
KEY OPTION K SHOWN



SECTION B - B  
73 CKT HARNESS CONNECTOR ASSEMBLY  
KEY OPTION B SHOWN



SECTION B - B  
80 CKT HARNESS CONNECTOR ASSEMBLY  
KEY OPTION K SHOWN

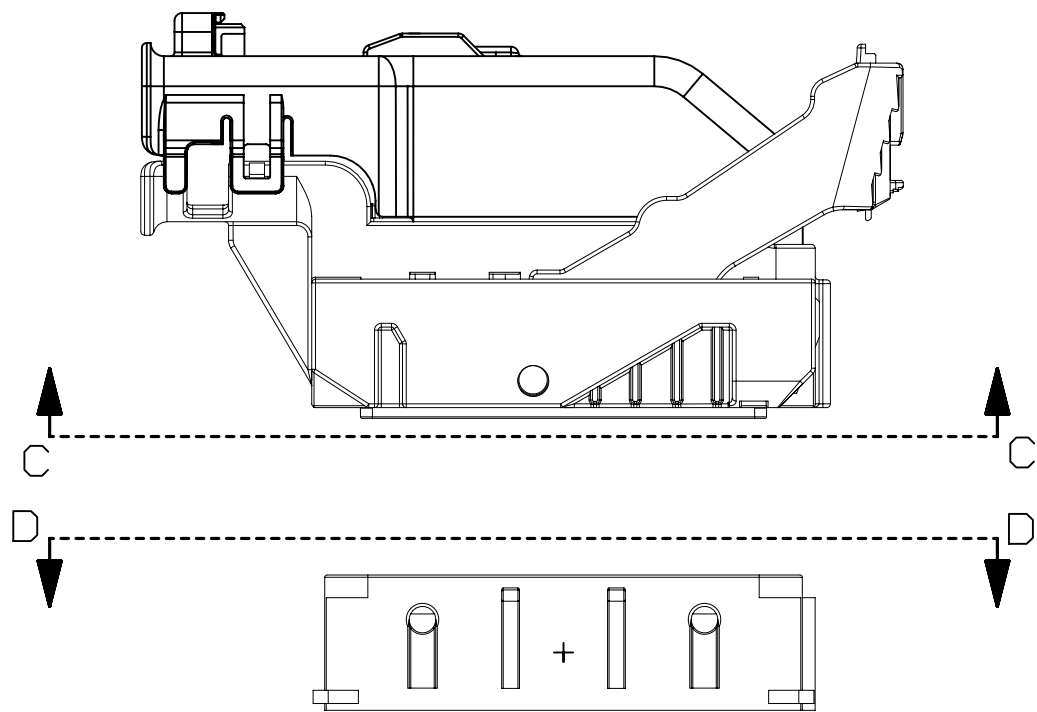


PAGE TITLE  
KEY ID REF - WIRE DRESS OPTION 0

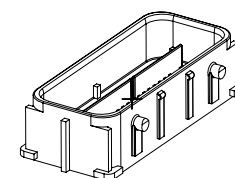
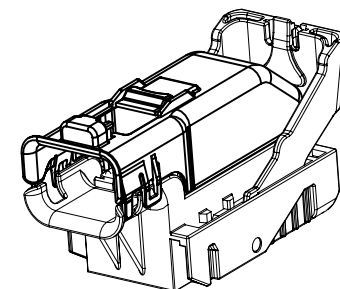
DRAWING NUMBER  
12672833

| DWG STATUS |     |     |
|------------|-----|-----|
| ST         | REV | PD1 |
| R          | 001 |     |

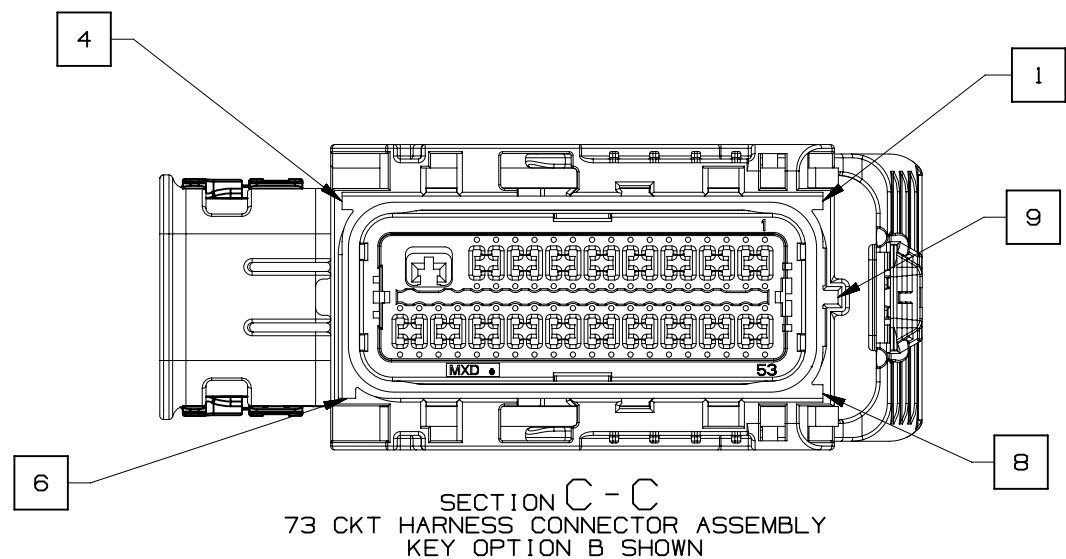
PAGE NUMBER  
11 OF 22



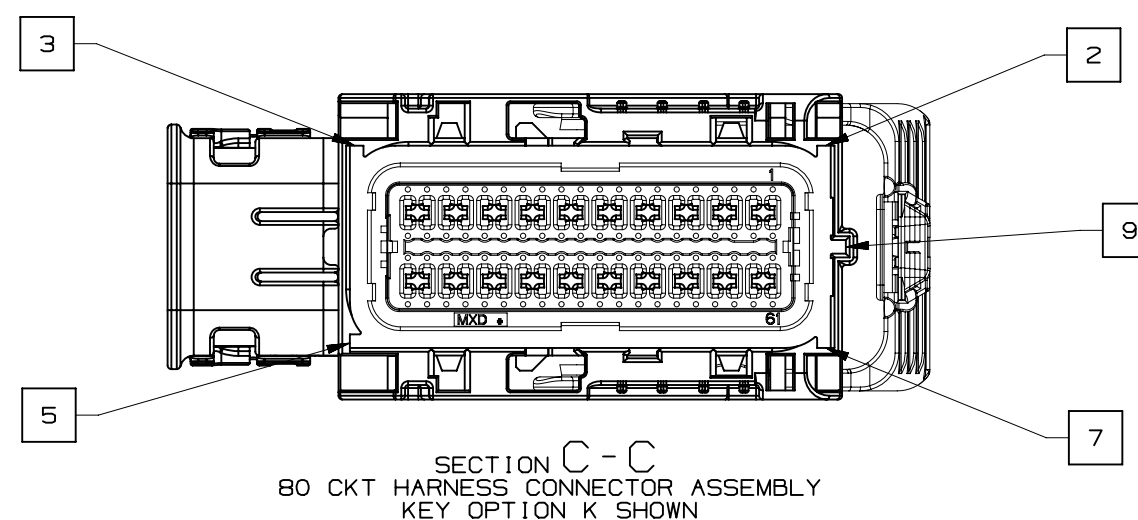
INTERFACE SIDE SHOWN ON ALL SECTION VIEWS



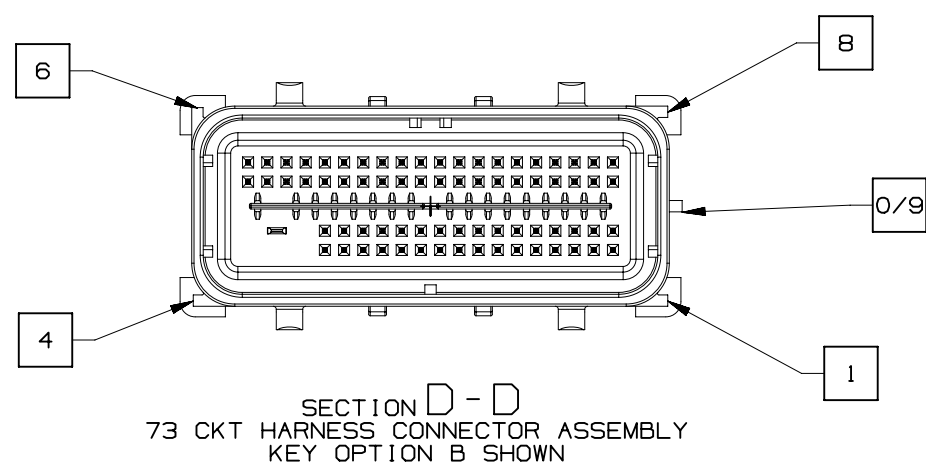
NOTE: REFERENCE THE COMPONENT TABLE FOR KEY OPTIONS AND CONFIGURATIONS



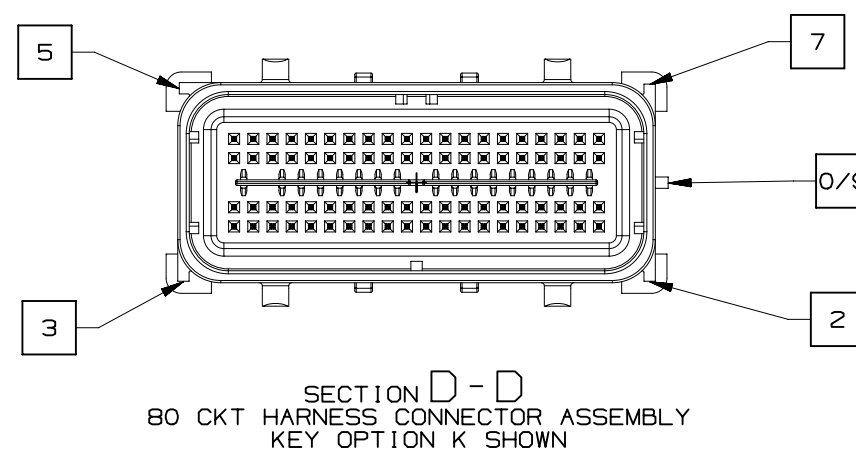
SECTION C - C  
73 CKT HARNESS CONNECTOR ASSEMBLY  
KEY OPTION B SHOWN



SECTION C - C  
80 CKT HARNESS CONNECTOR ASSEMBLY  
KEY OPTION K SHOWN



SECTION D - D  
73 CKT HARNESS CONNECTOR ASSEMBLY  
KEY OPTION B SHOWN



SECTION D - D  
80 CKT HARNESS CONNECTOR ASSEMBLY  
KEY OPTION K SHOWN

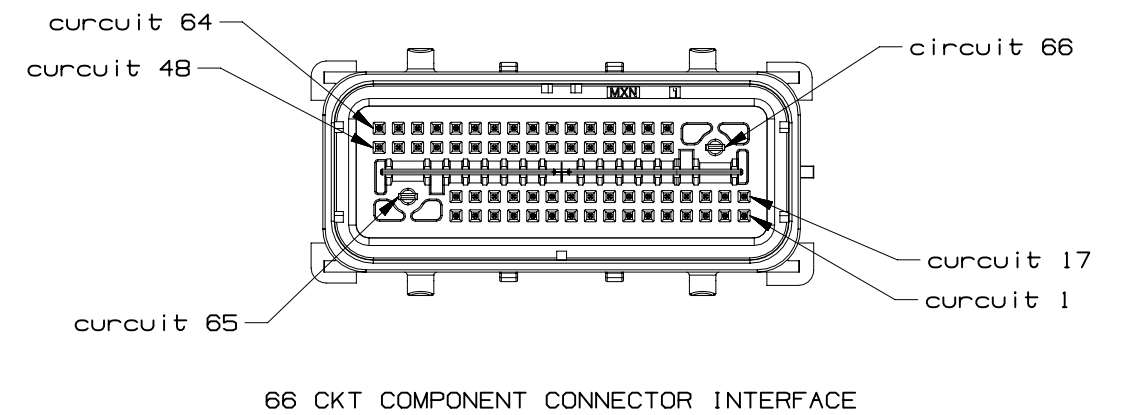
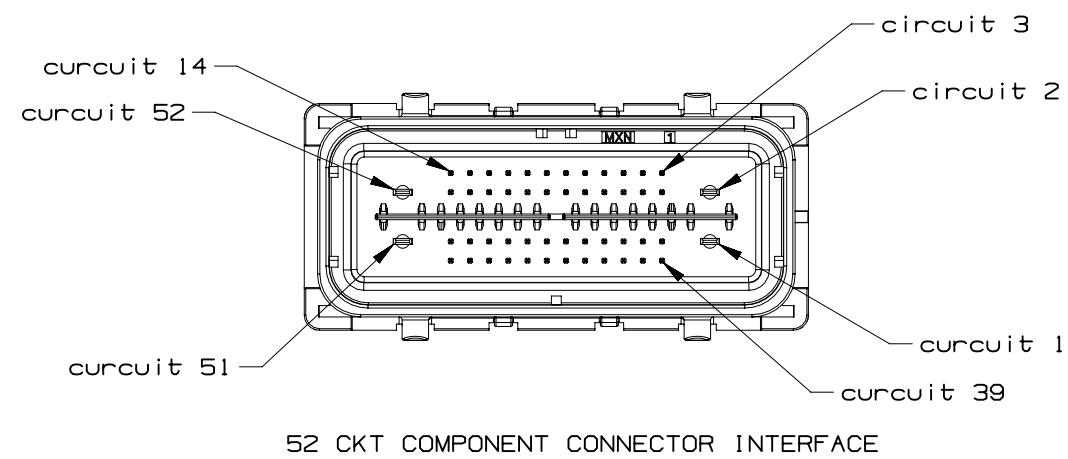
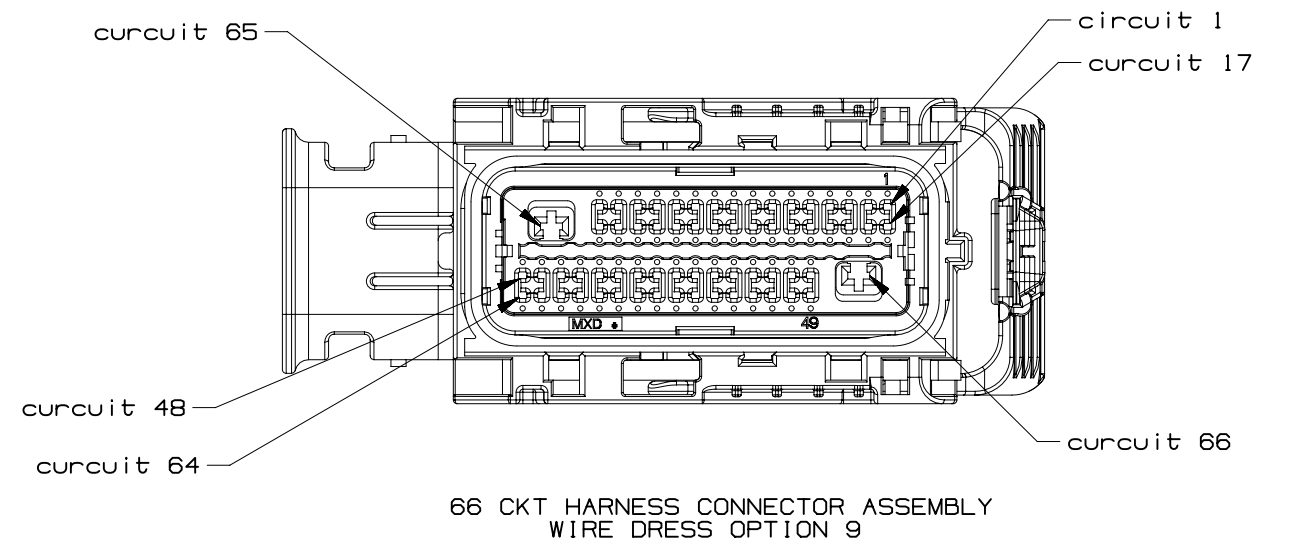
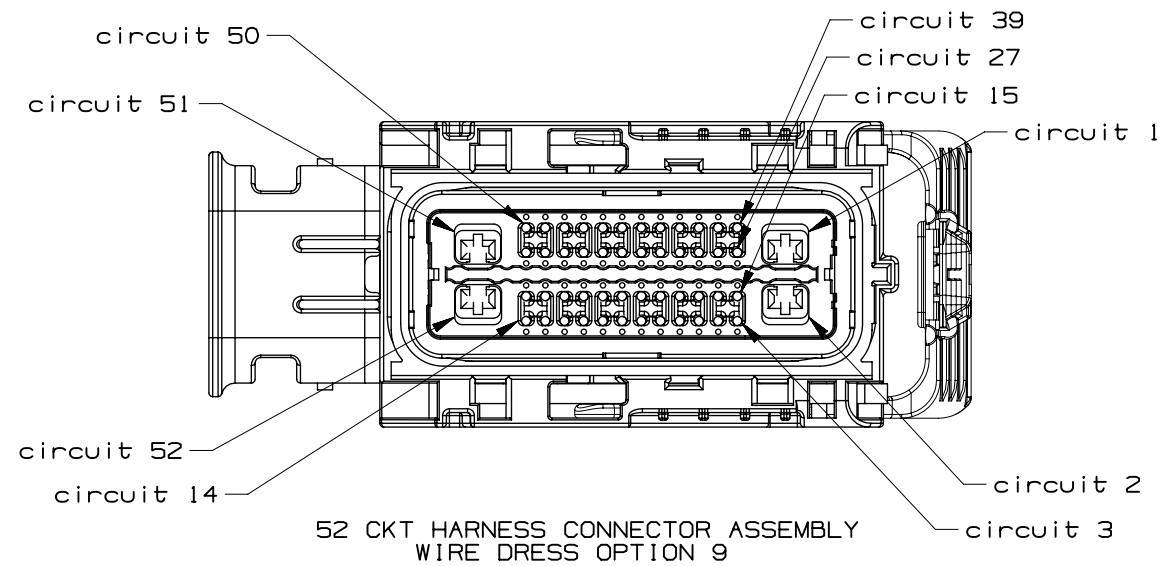
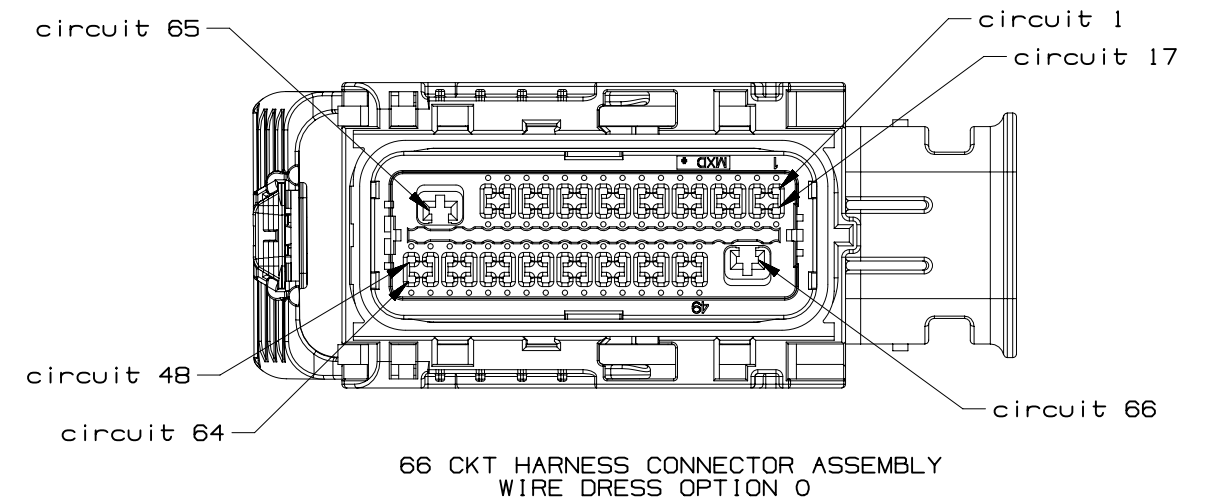
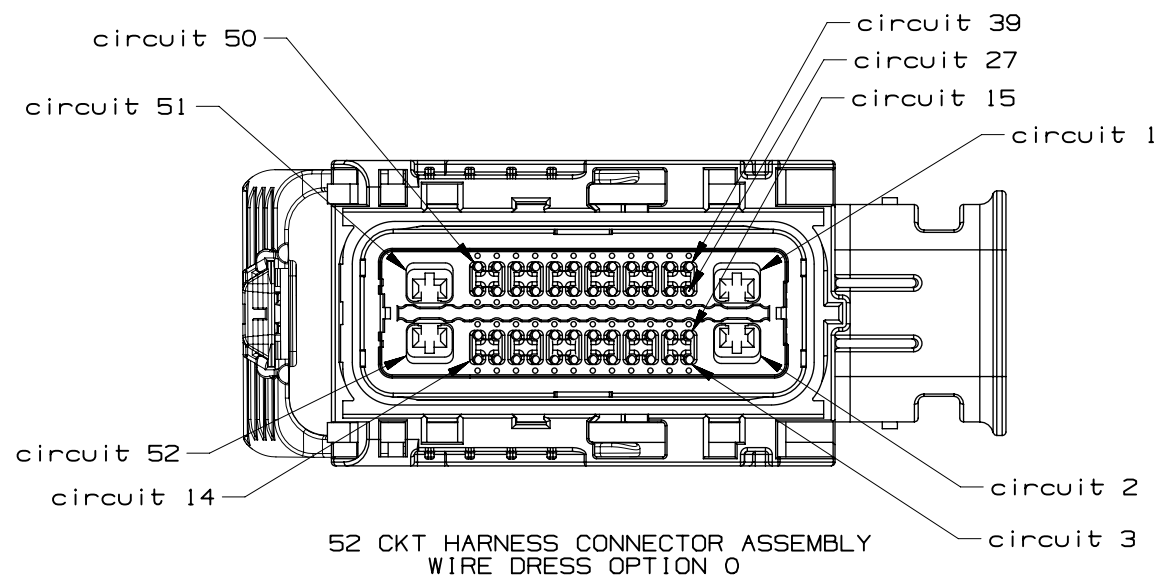


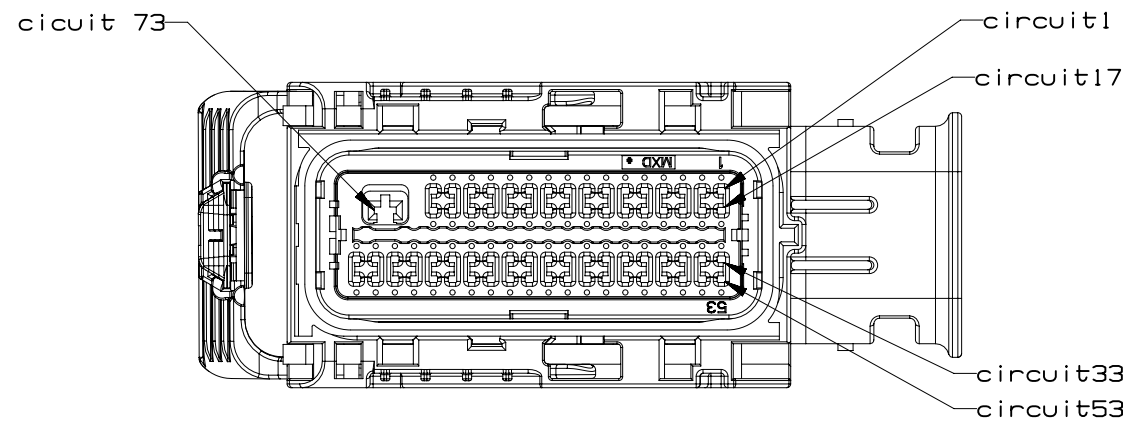
PAGE TITLE  
KEY ID REF - WIRE DRESS OPTION 9

DRAWING NUMBER  
12672833

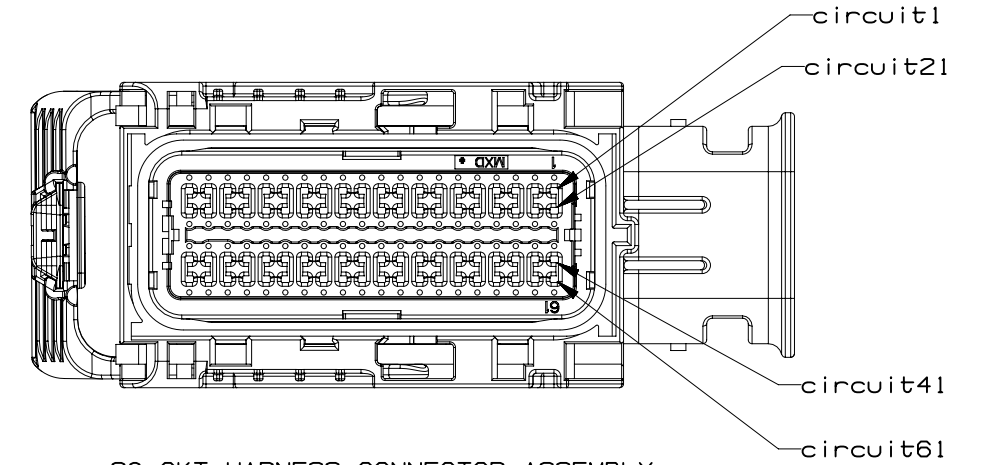
| DWG STATUS |     |     |
|------------|-----|-----|
| ST         | REV | PD1 |
| R          | 001 |     |

PAGE NUMBER  
12 OF 22



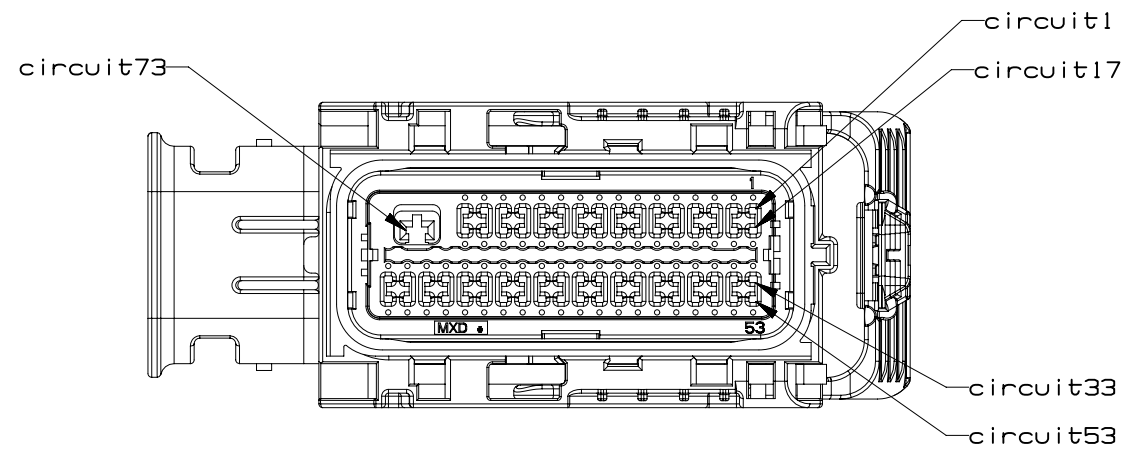


73 CKT HARNESS CONNECTOR ASSEMBLY  
WIRE DRESS OPTION 0

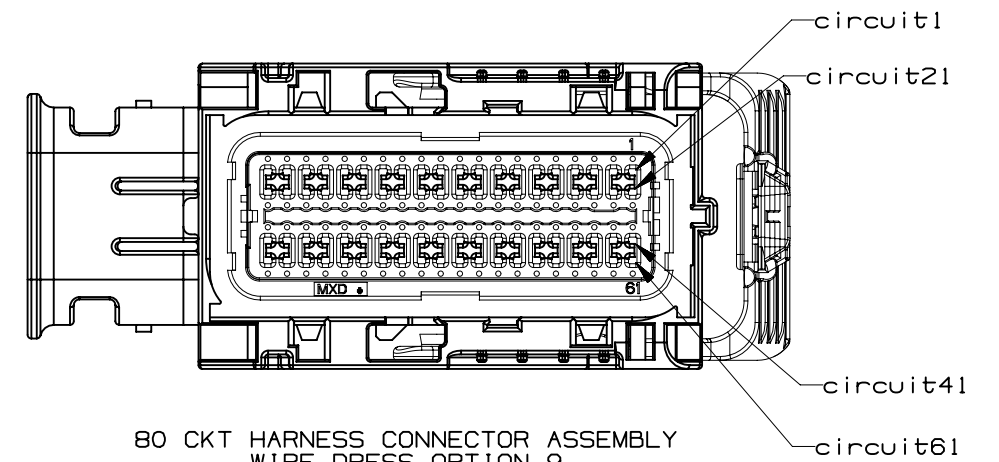


80 CKT HARNESS CONNECTOR ASSEMBLY  
WIRE DRESS OPTION 0

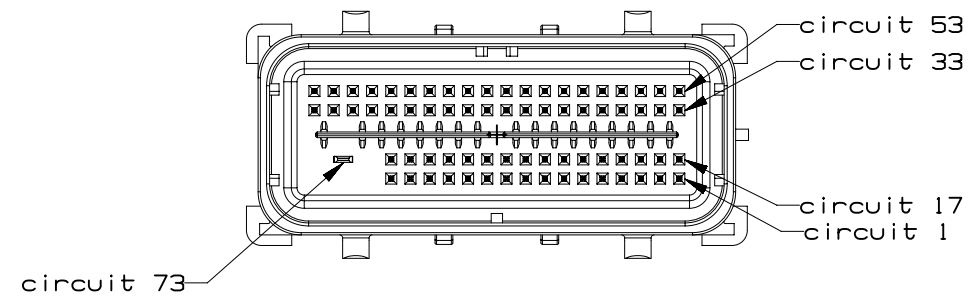
INTERFACE SIDE SHOWN ON ALL VIEWS



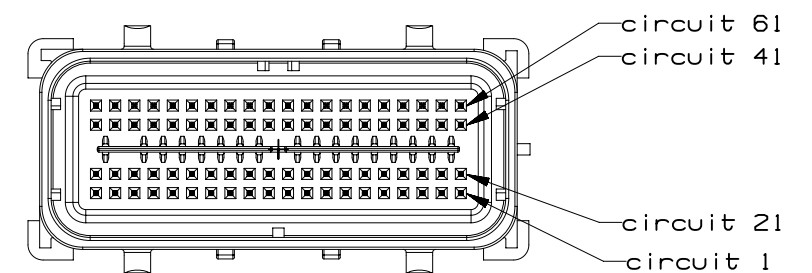
73 CKT HARNESS CONNECTOR ASSEMBLY  
WIRE DRESS OPTION 9



80 CKT HARNESS CONNECTOR ASSEMBLY  
WIRE DRESS OPTION 9

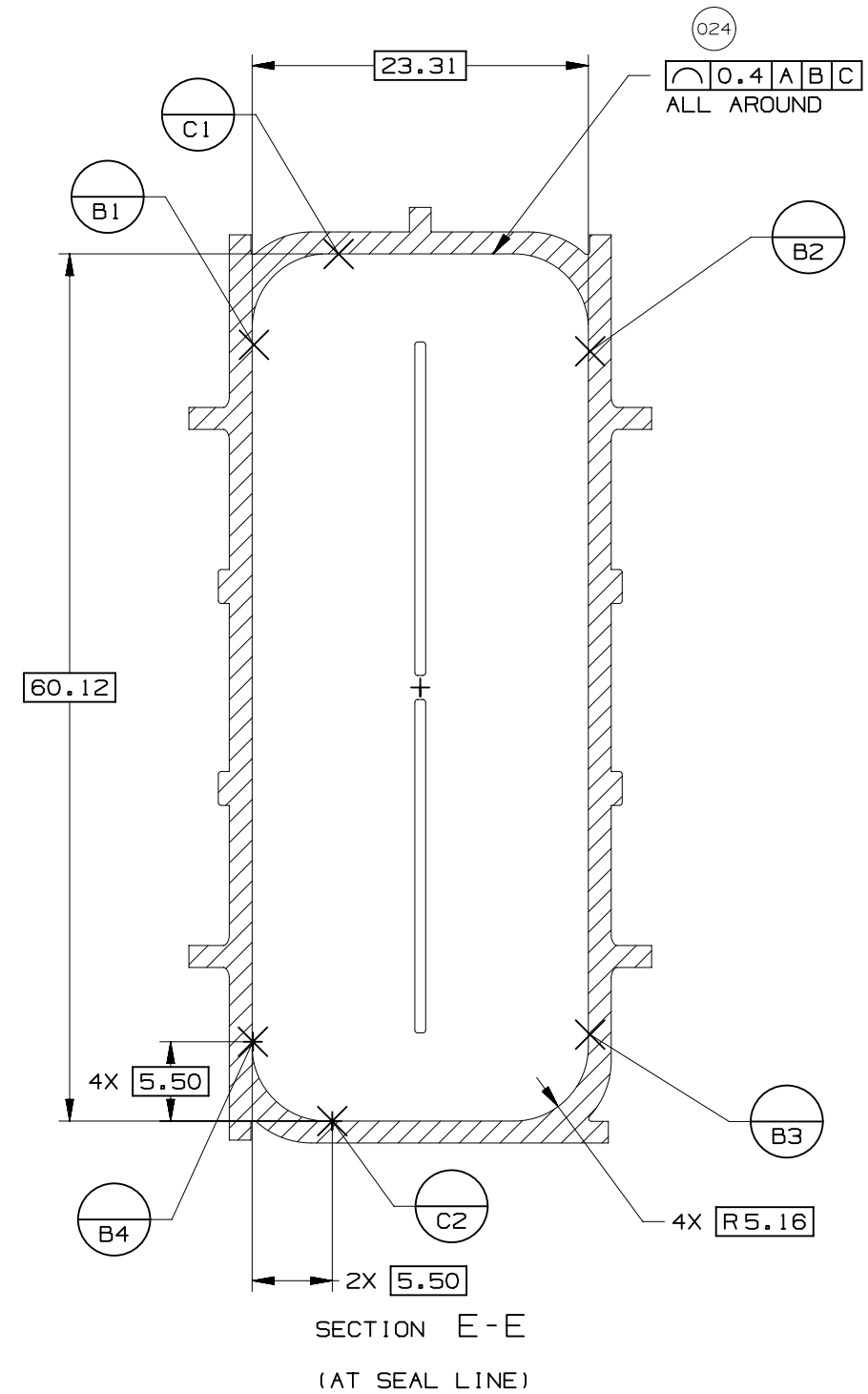
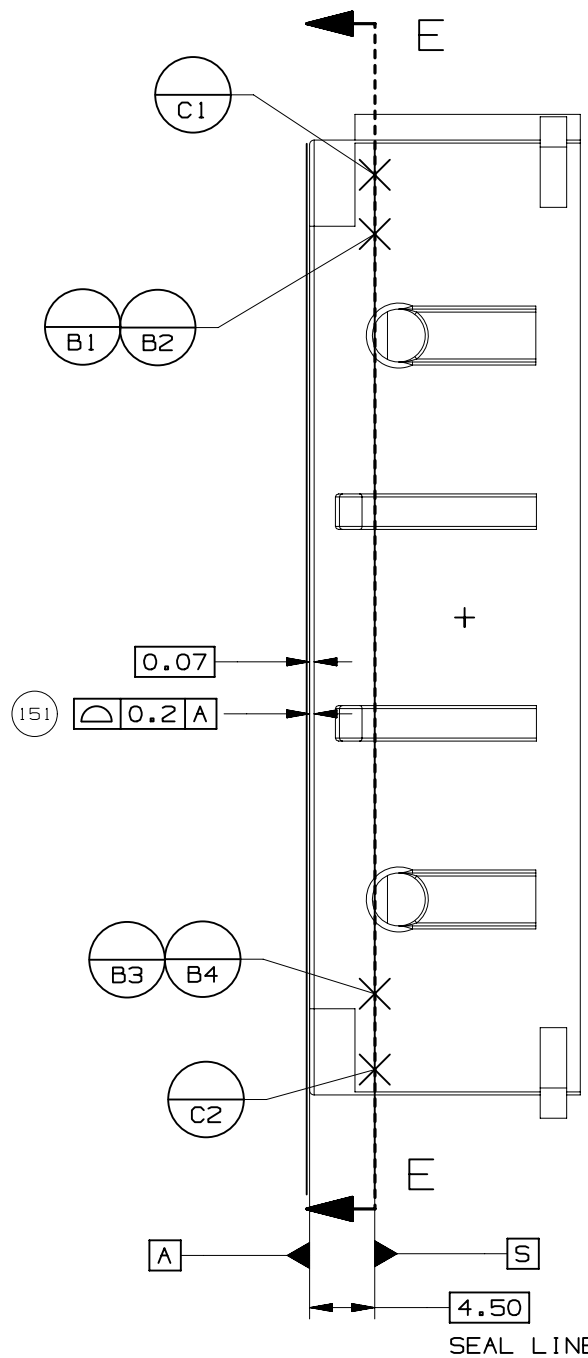
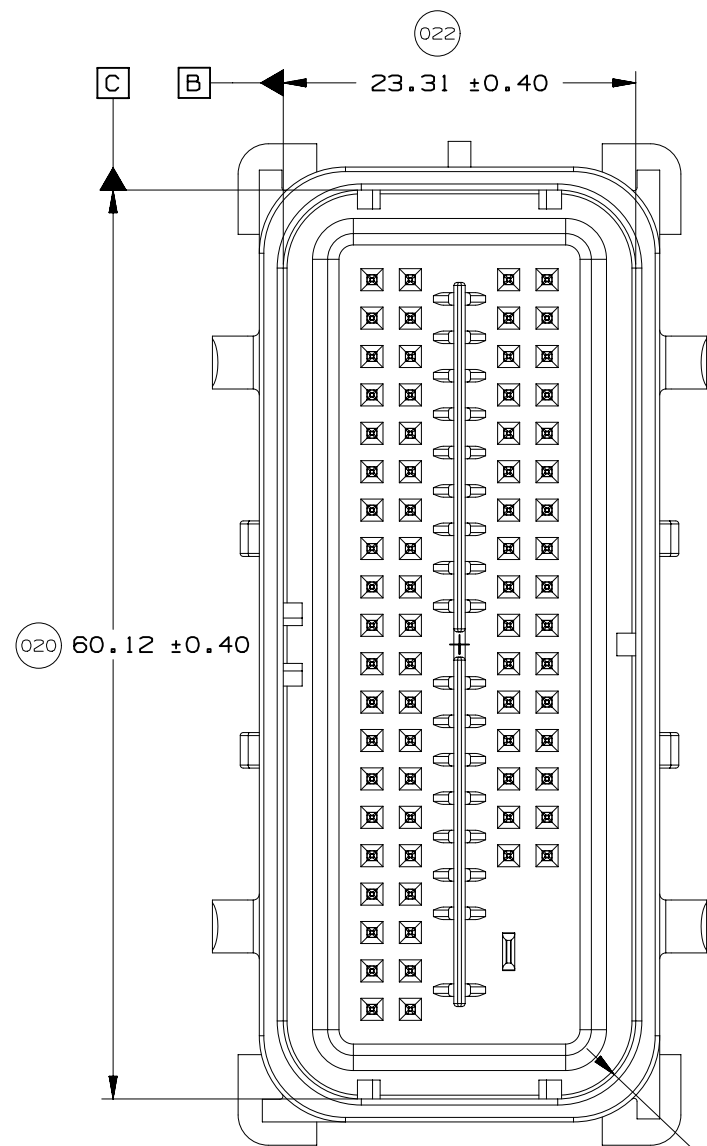
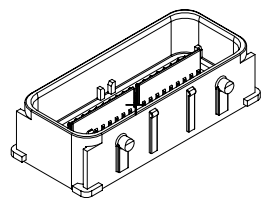


73 CKT COMPONENT CONNECTOR INTERFACE



80 CKT COMPONENT CONNECTOR INTERFACE





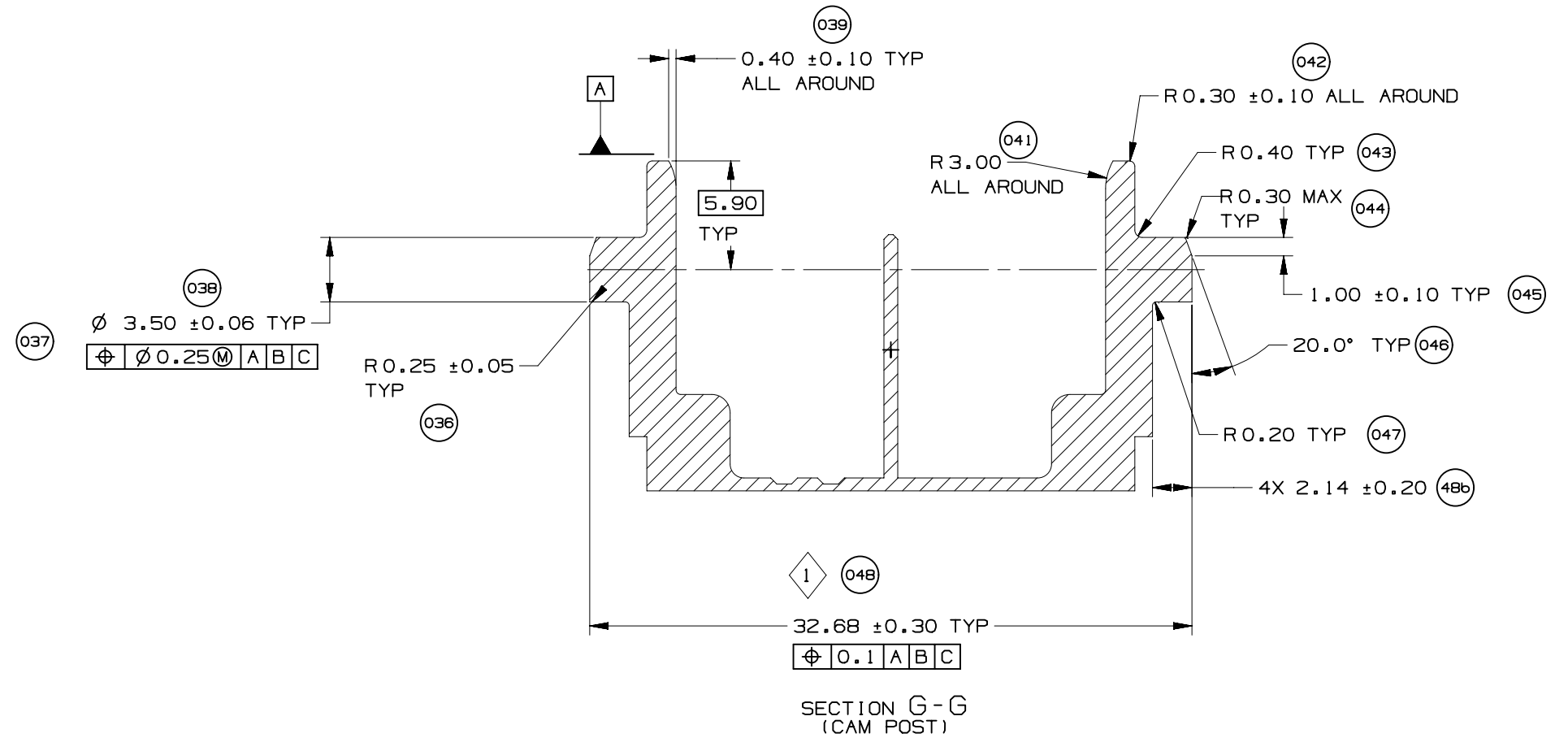
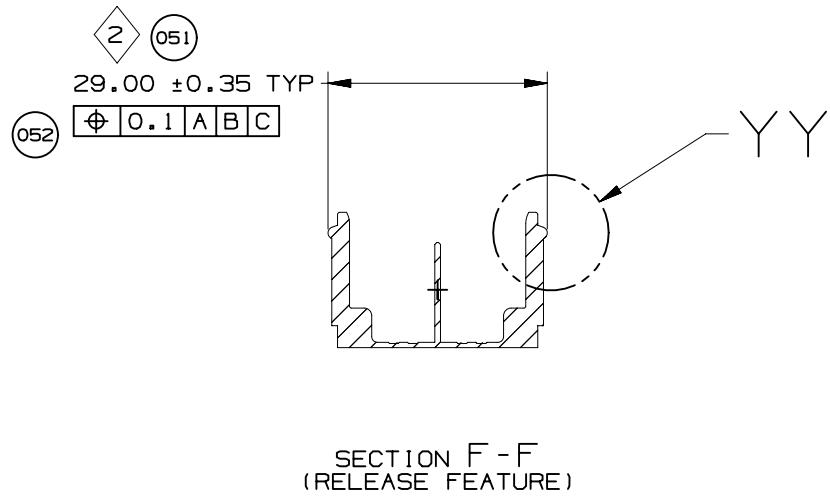
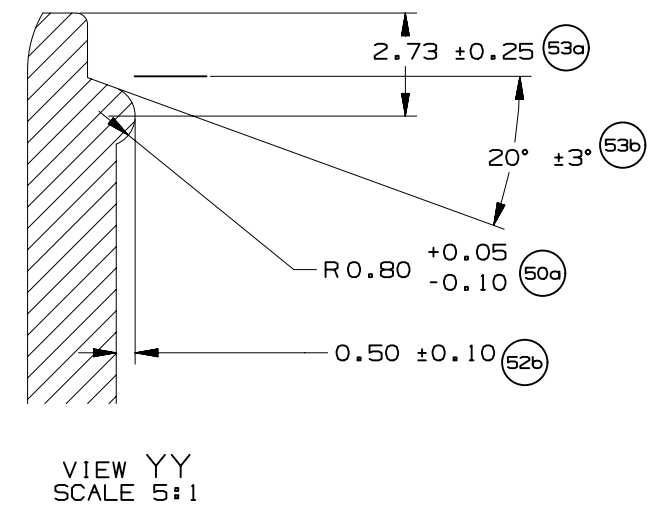
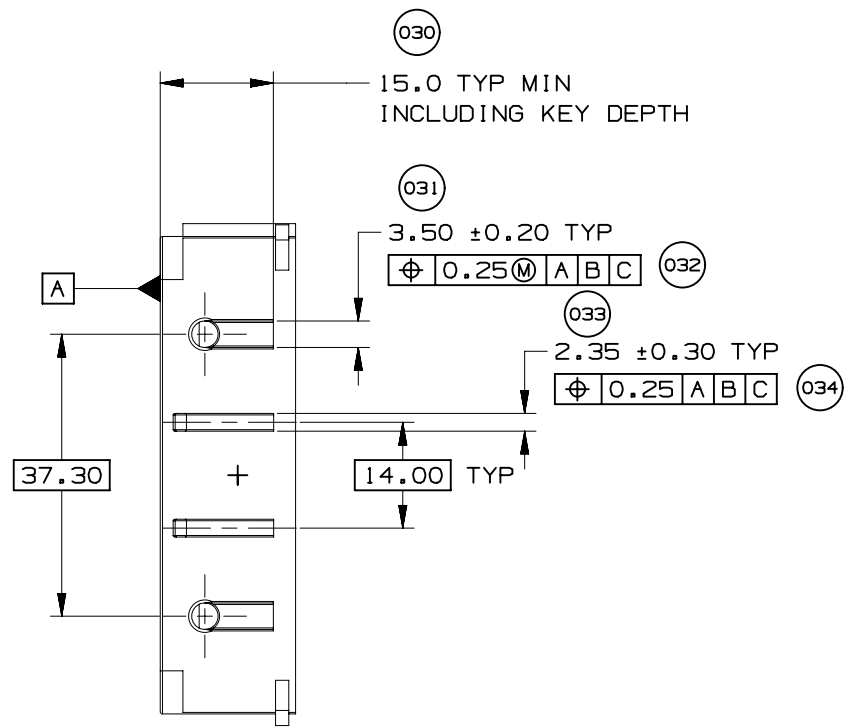
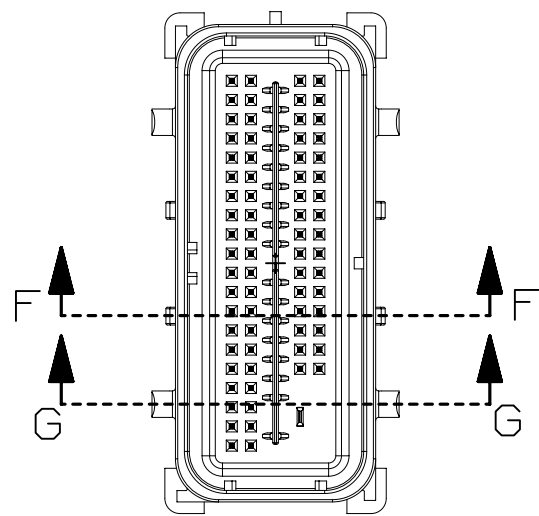
UNLESS SPECIFIED, TOLERANCE OF THE COMPONENT CONNECTOR INTERFACE TO BE 0.13 A B C

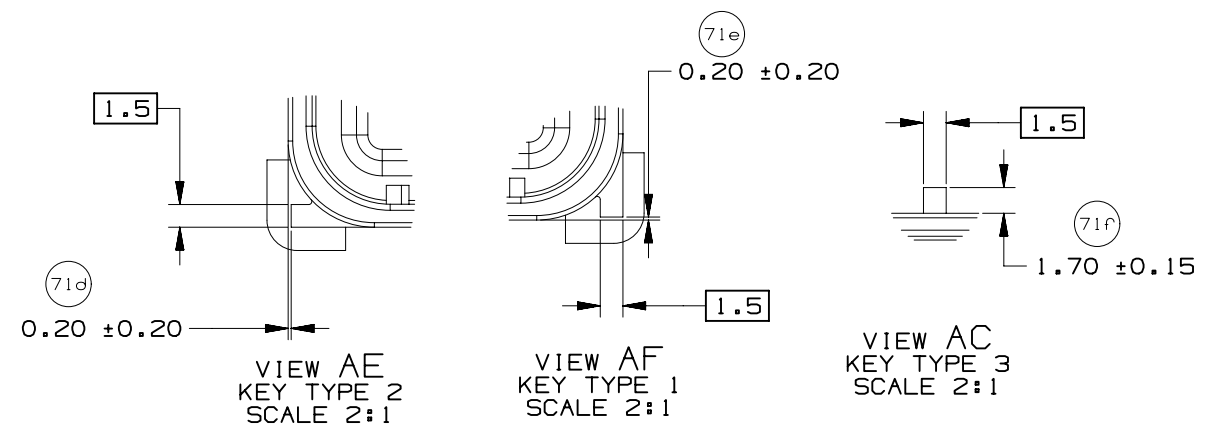
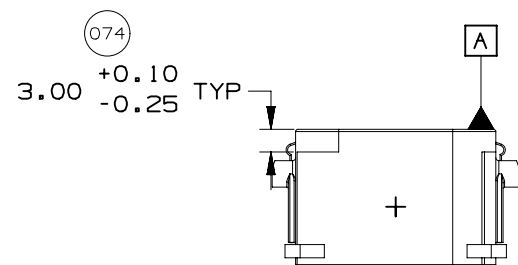
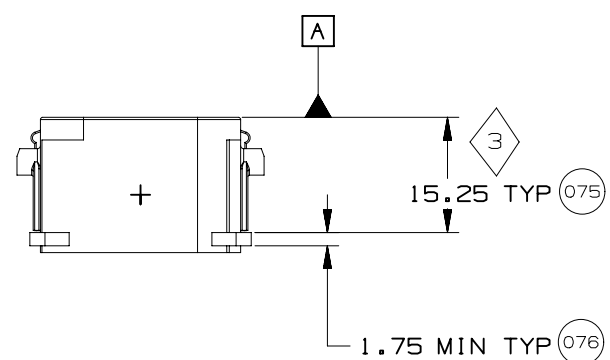
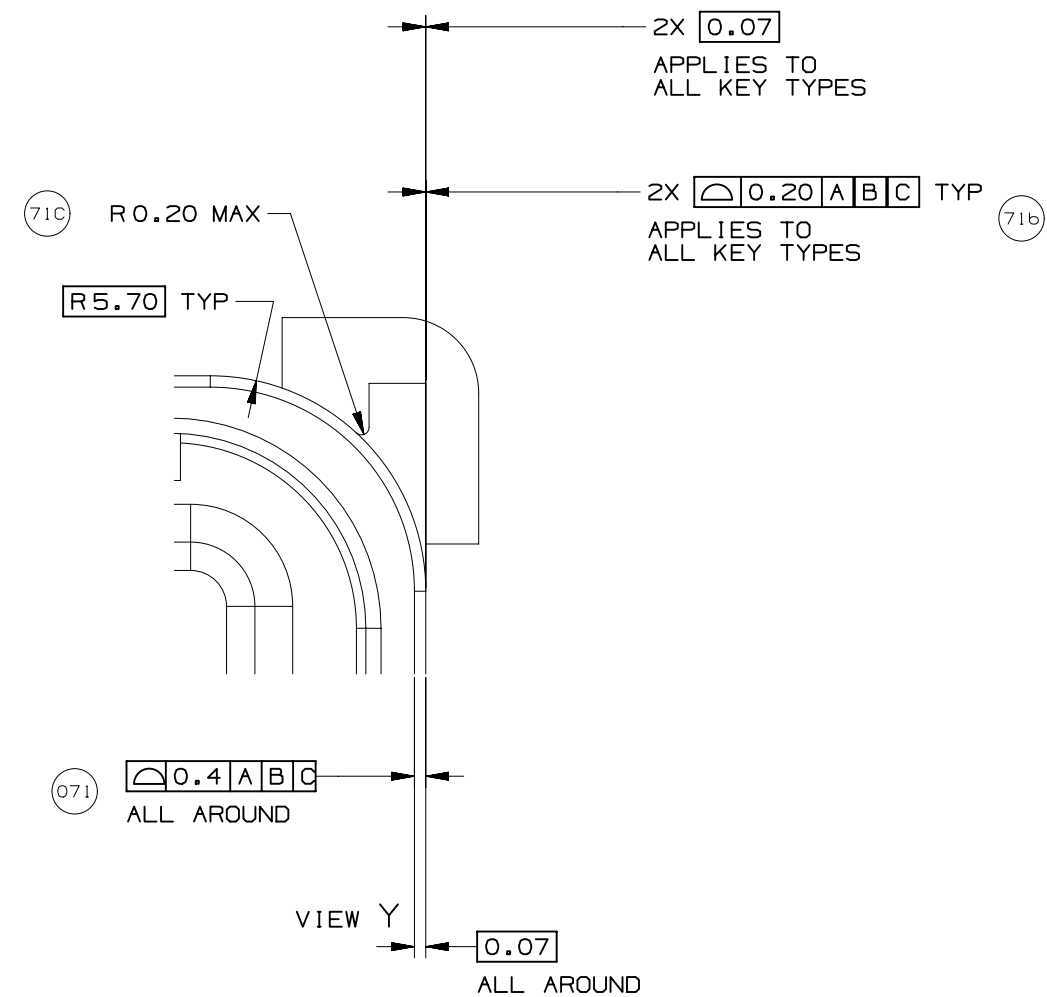
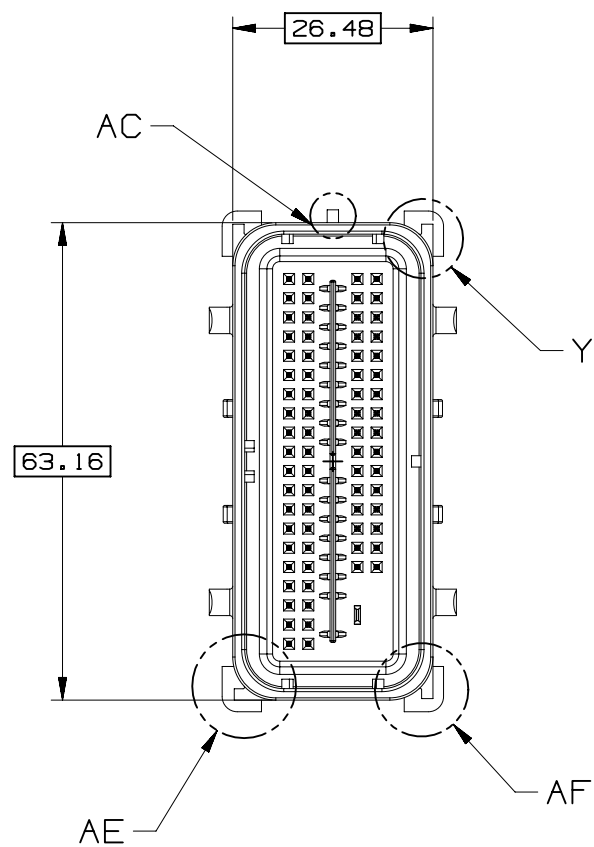
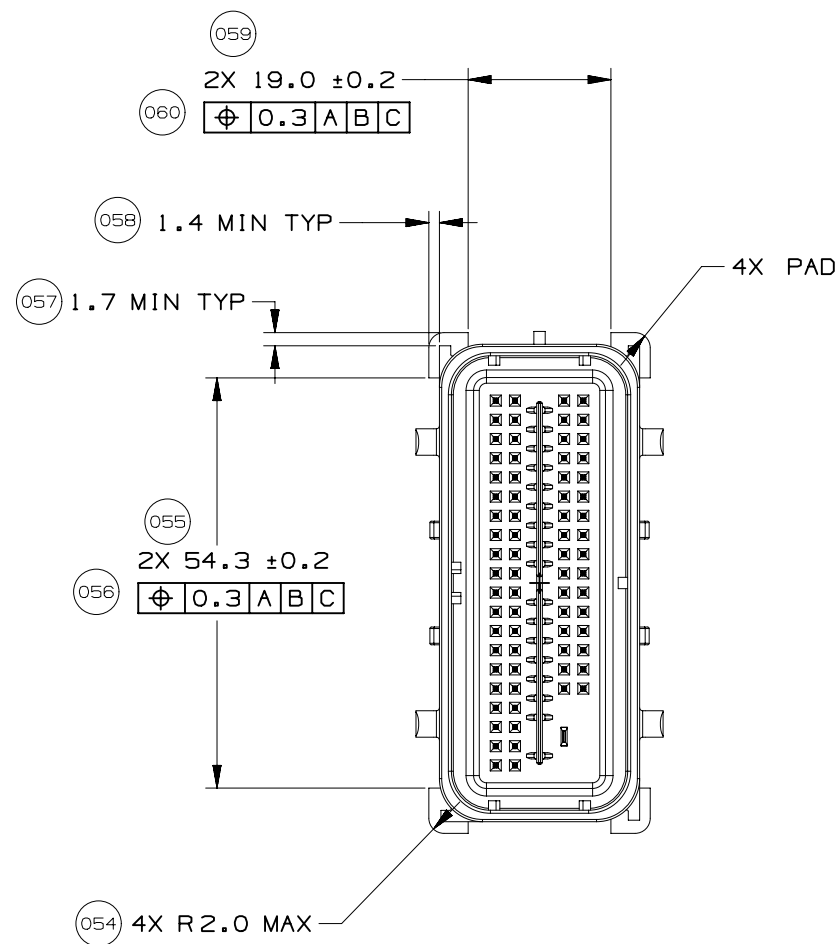


PAGE TITLE  
COMPONENT CONNECTOR INTERFACE

DRAWING NUMBER  
12672833

| DWG STATUS |     |     | PAGE NUMBER |
|------------|-----|-----|-------------|
| ST         | REV | PD1 |             |
| R          | 001 |     | 15 OF 22    |

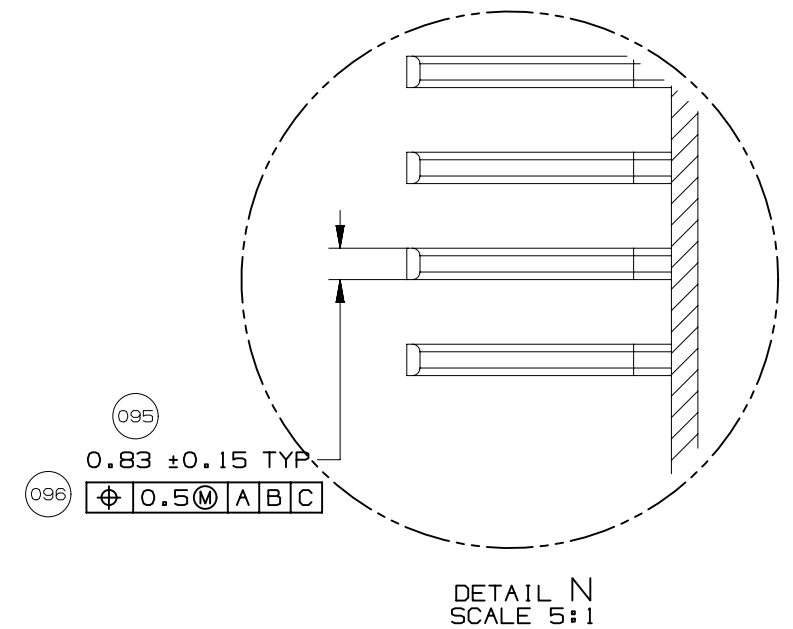
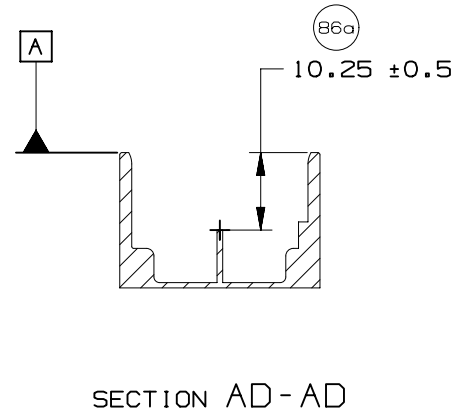
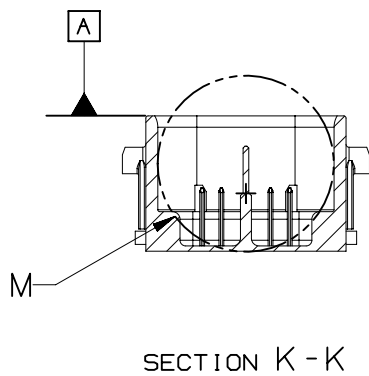
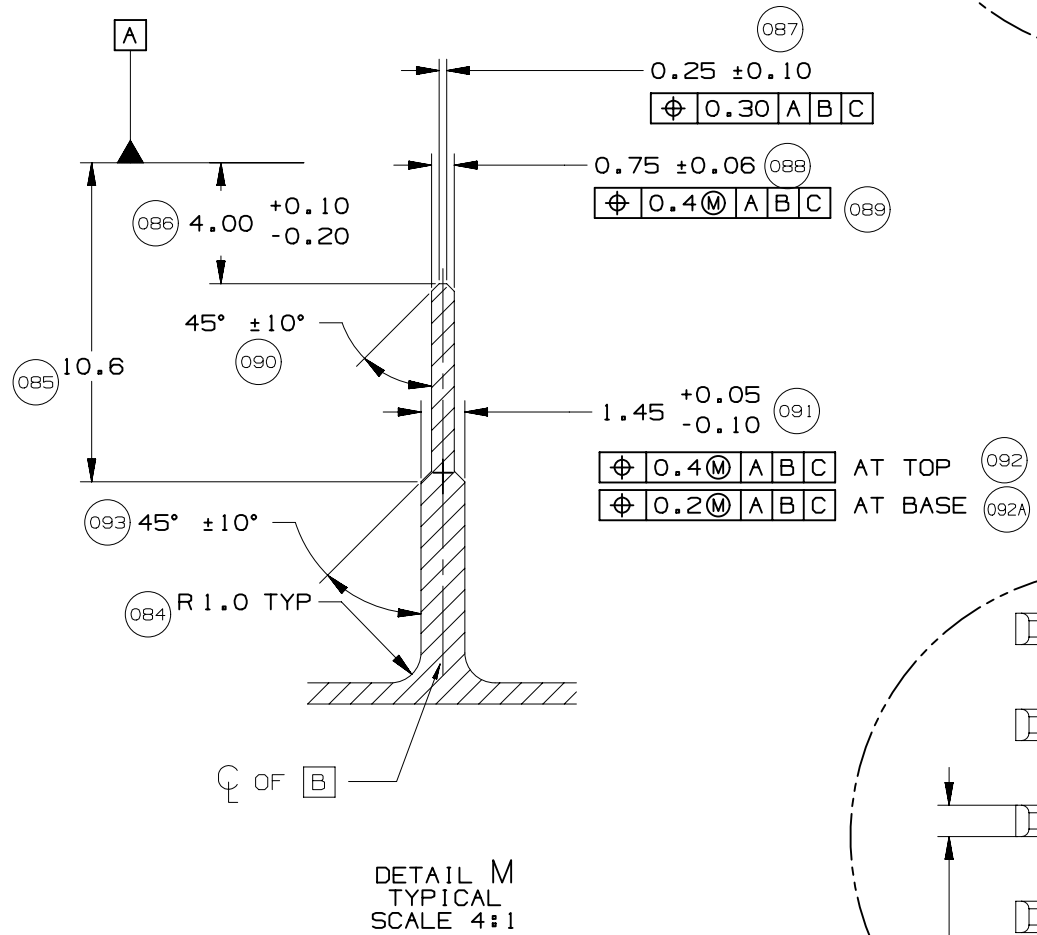
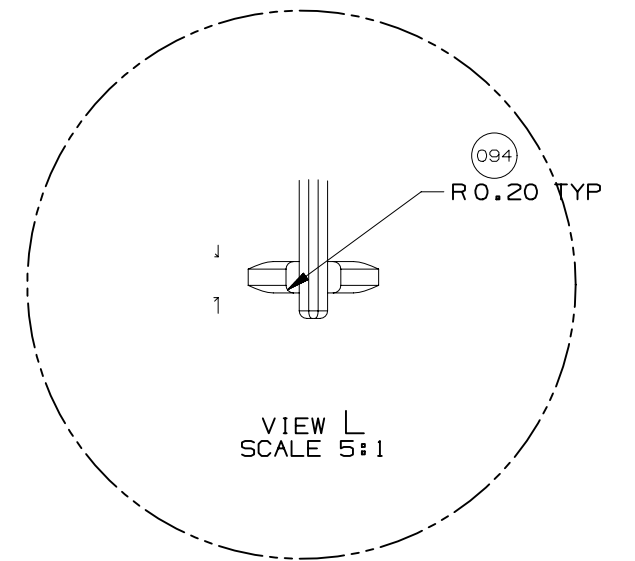
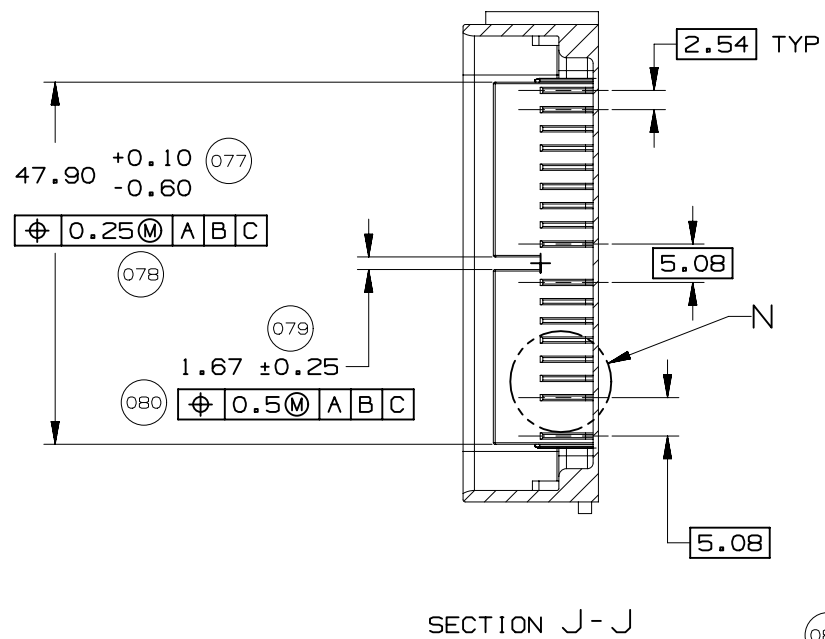
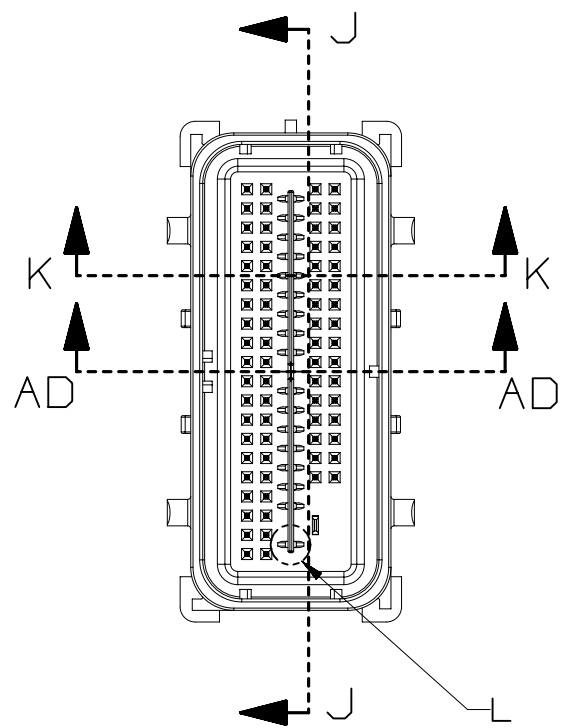




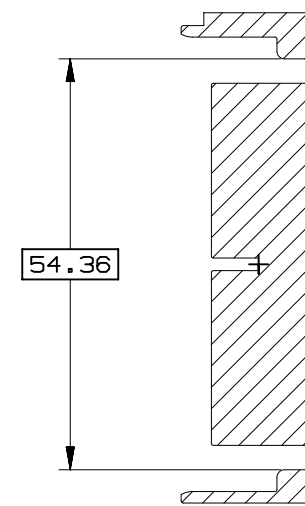
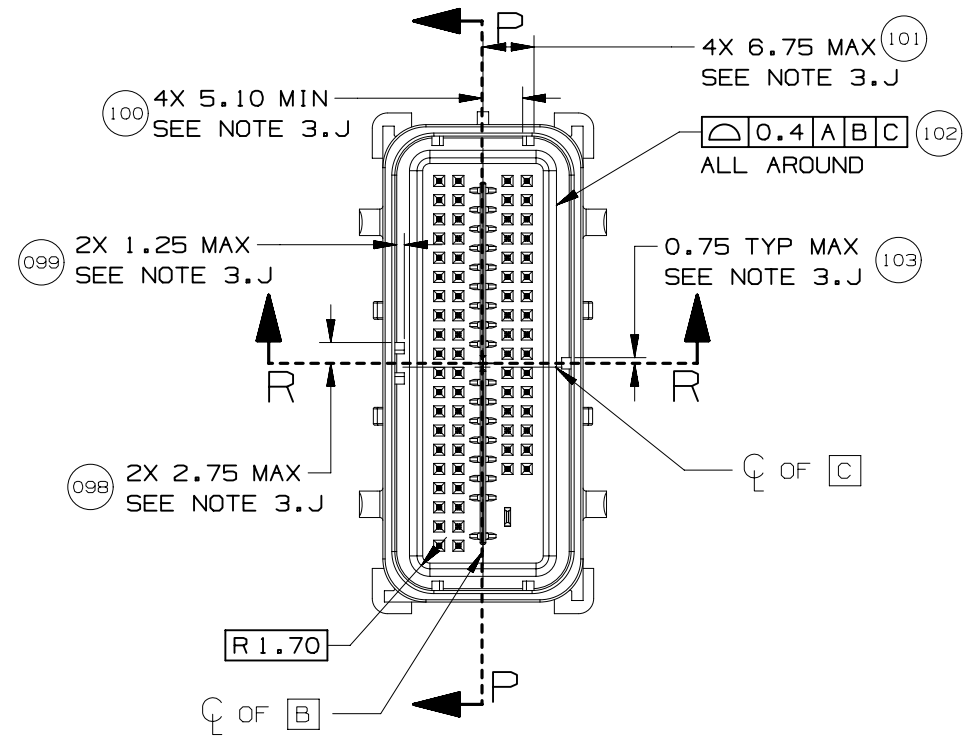
PAGE TITLE  
 COMPONENT CONNECTOR INTERFACE

DRAWING NUMBER  
 12672833

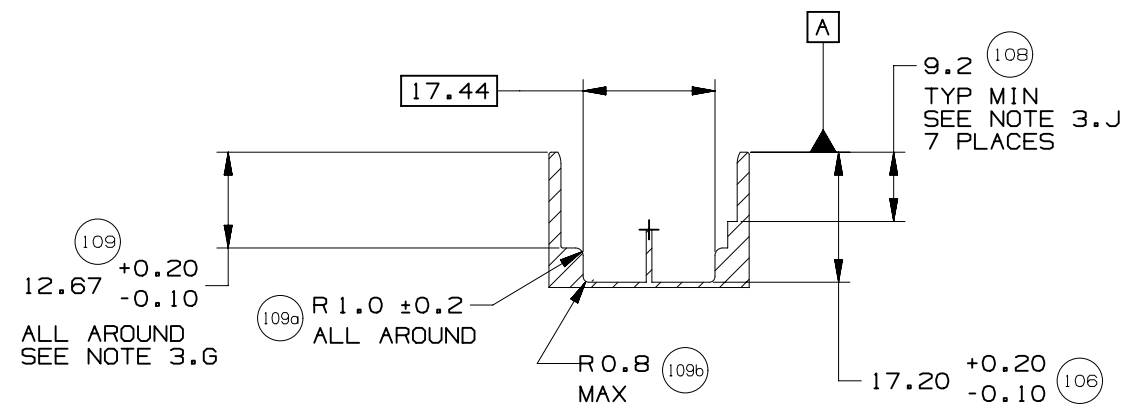
| DWG STATUS |     |     | PAGE NUMBER |       |
|------------|-----|-----|-------------|-------|
| ST         | REV | PD1 |             |       |
| R          | 001 |     | 17          | OF 22 |







SECTION P-P



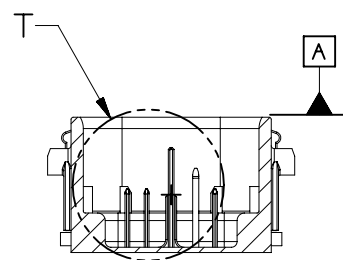
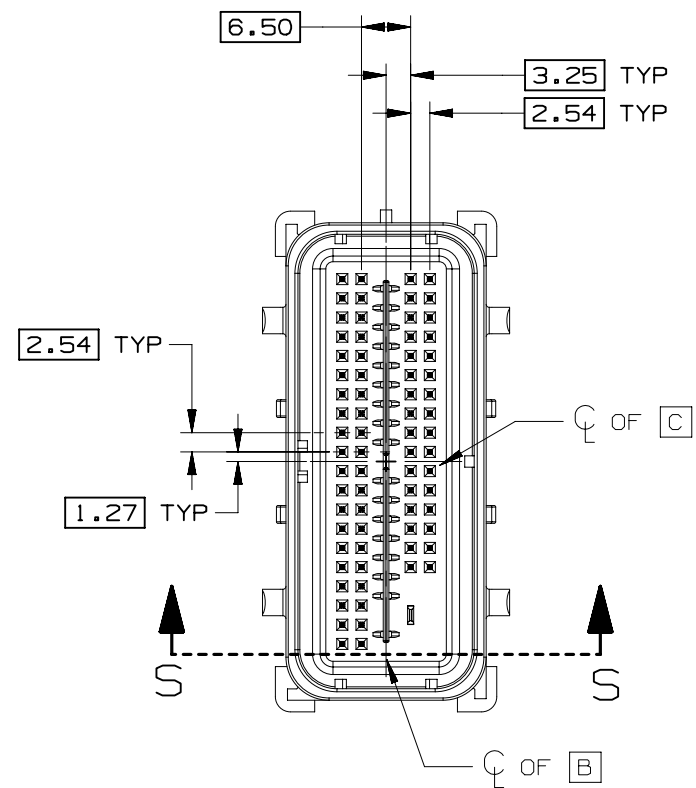
SECTION R-R



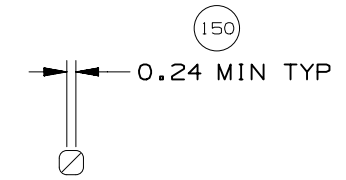
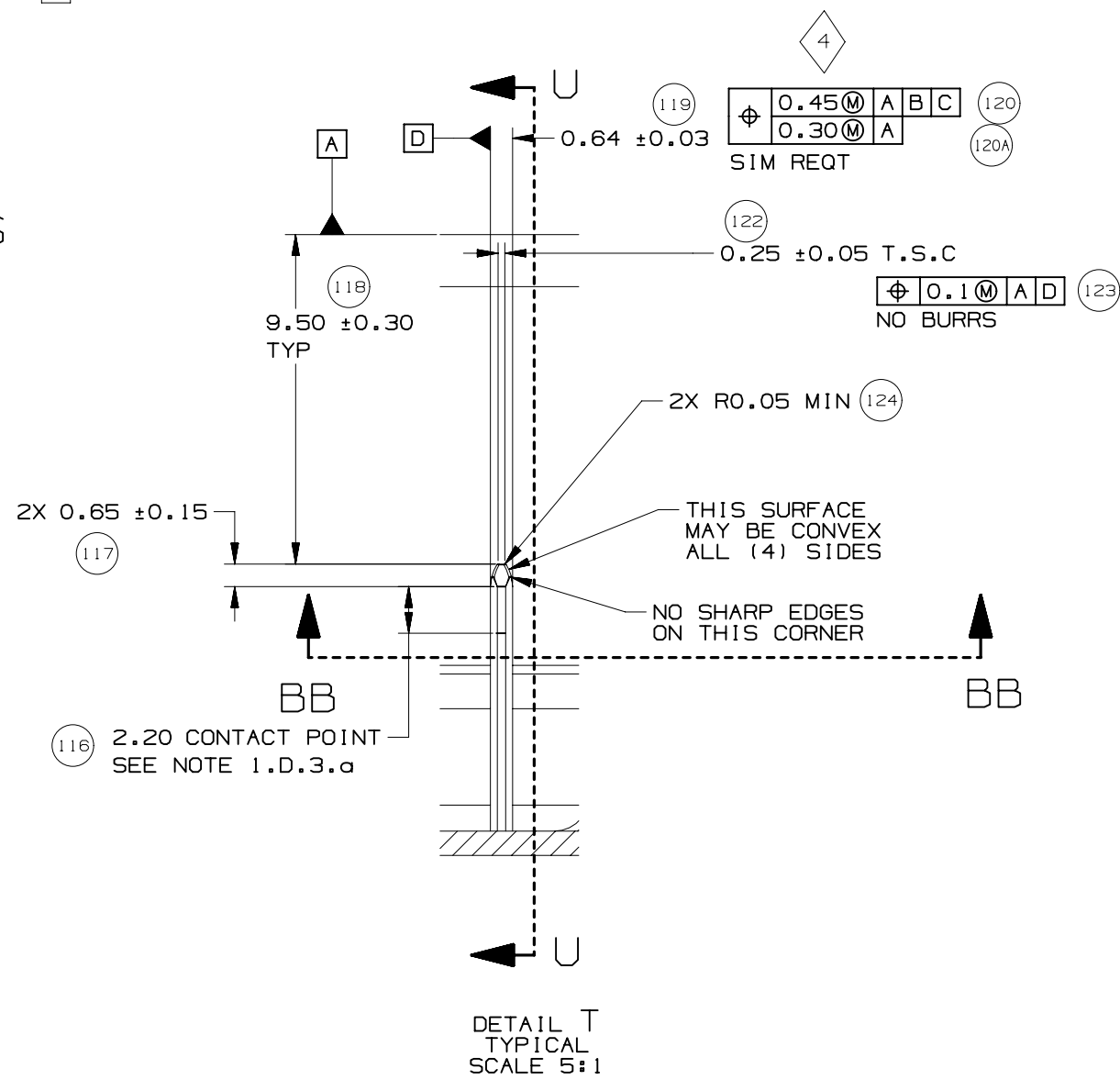
PAGE TITLE  
COMPONENT CONNECTOR INTERFACE

DRAWING NUMBER  
12672833

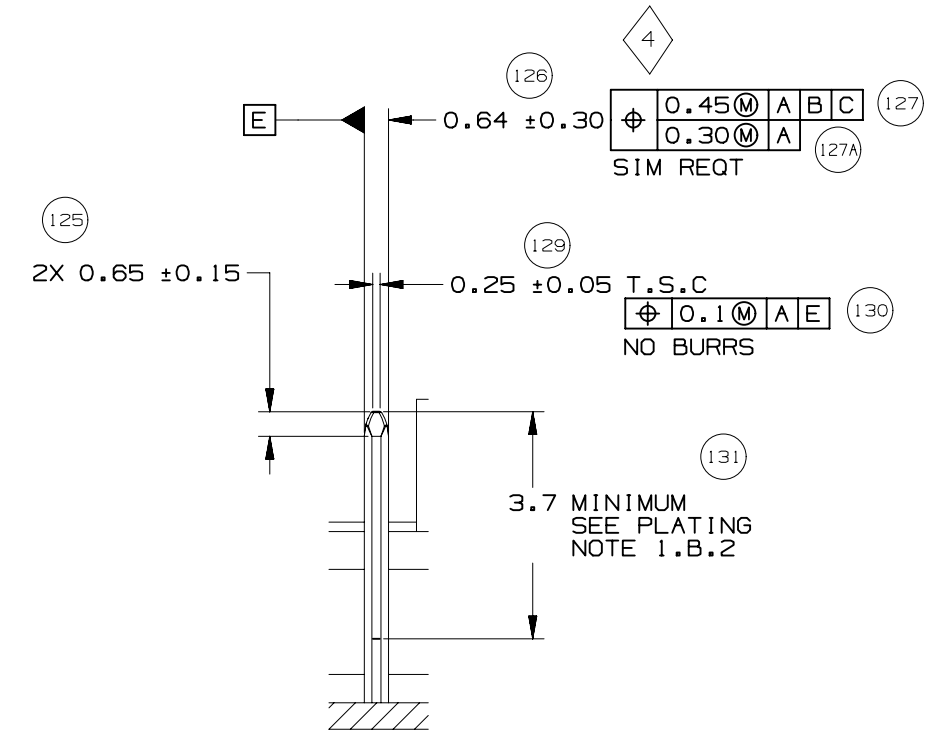
| DWG STATUS |     |     | PAGE NUMBER |       |
|------------|-----|-----|-------------|-------|
| ST         | REV | PD1 | 19          | OF 22 |
| R          | 001 |     |             |       |



SECTION S-S



SECTION BB-BB



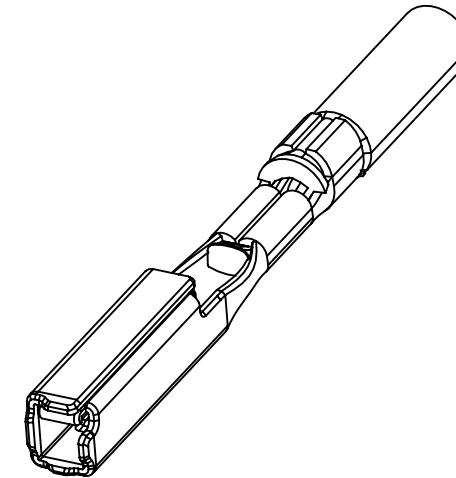
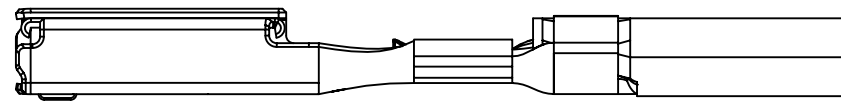
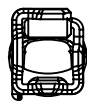
SECTION U-U  
TYPICAL





MOLEX MX64 RECEPTACLE TERMINAL INFORMATION

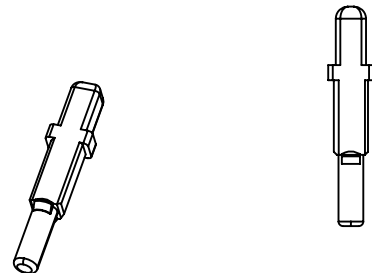
| ITEM | MOLEX P/N  | GM P/N   | WIRE SIZE<br>MM2 | TYPE | PLATING | REEL WIND<br>DIRECTION | COMMENTS |
|------|------------|----------|------------------|------|---------|------------------------|----------|
| 1    | 34736-0025 |          | 0.35             | ISO  | SILVER  | LEFT                   |          |
| 2    | 34736-0026 | 12672850 | 0.35             | ISO  | SILVER  | RIGHT                  |          |
| 3    | 34736-0027 |          | 0.5 / 0.75       | ISO  | SILVER  | LEFT                   |          |
| 4    | 34736-0028 | 12672851 | 0.5 / 0.75       | ISO  | SILVER  | RIGHT                  |          |



CAVITY PLUGS

| ITEM | MFG    | MFG P/N      | GM P/N<br>RD | SIZE | COLOR   | MFG DRAWING  | PROD SPEC      | APP SPEC     | COMMENTS |
|------|--------|--------------|--------------|------|---------|--------------|----------------|--------------|----------|
| 1    | MOLEX  | 34586-0001   | 12674820     | 0.64 | NATURAL | SD-34586-001 | PS-34566-0000  | AS-34566-001 |          |
| 2    | YAZAKI | 7158-3114-90 | 12674821     | 2.8  | BLUE    | 7158-3114-90 | YPES-11-04-062 | YPES-15-299  |          |

ITEM 1



ITEM 2



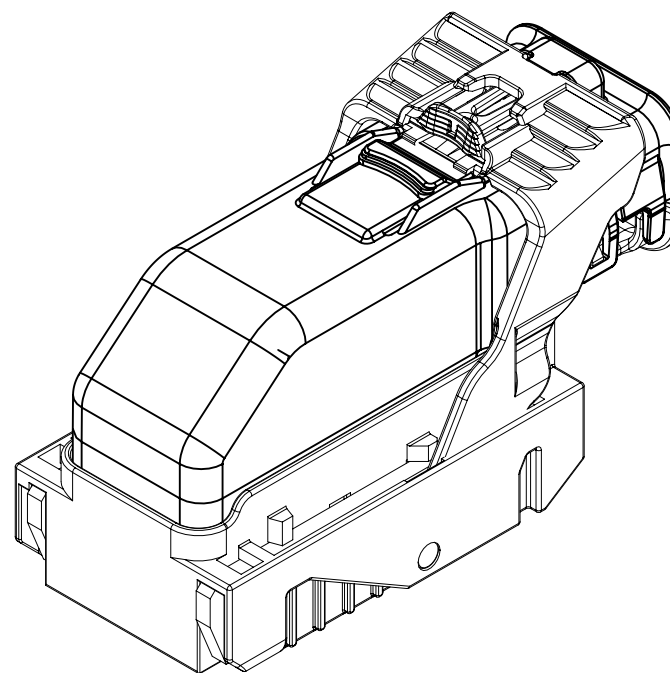
PAGE TITLE  
ADDITIONAL COMPONENTS REQUIRED

DRAWING NUMBER  
12672833


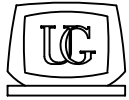
| DWG STATUS |     |     |
|------------|-----|-----|
| ST         | REV | PD1 |
| R          | 001 |     |

PAGE NUMBER  
22 OF 22

| INDEX   |      |
|---|------|
| PAGE TITLE  | PAGE |
| TITLE BLOCK   | 1    |
| REVISION BLOCK  | 2    |
| PART BLOCK  | 3    |
| KPC BLOCK   | 4    |
| COMPONENT TABLE   | 5    |
| NOTES   | 6    |
| NOTES   | 7    |
| WIRE DRESS PACKAGING DIMENSIONS   | 8    |
| LOCATION AND PACKAGING DIMENSIONS<br>REFERENCING INTERFACE DATUMS B & C | 9    |
| LOCATION AND PACKAGING DIMENSIONS<br>REFERENCING INTERFACE DATUM A      | 10   |
| KEY ID REF - WIRE DRESS OPTION 0  | 11   |
| KEY ID REF - WIRE DRESS OPTION 9  | 12   |
| CIRCUIT CONFIGURATIONS  | 13   |
| CIRCUIT CONFIGURATIONS  | 14   |
| COMPONENT CONNECTOR INTERFACE   | 15   |
| COMPONENT CONNECTOR INTERFACE   | 16   |
| COMPONENT CONNECTOR INTERFACE   | 17   |
| COMPONENT CONNECTOR INTERFACE   | 18   |
| COMPONENT CONNECTOR INTERFACE   | 19   |
| COMPONENT CONNECTOR INTERFACE   | 20   |
| COMPONENT CONNECTOR INTERFACE   | 21   |
| ADDITIONAL COMPONENTS REQUIRED  | 22   |




ISO VIEW

|   |  |   |  |             |
|---|--|---|--|-------------|
|  | <b>UNLESS OTHERWISE SPECIFIED:</b> THIS DOCUMENT IS IN ACCORDANCE WITH ASME Y14.5M-1994 AS AMMENDED BY THE GM GLOBAL DIMENSIONING AND TOLERANCING ADDENDUM-1997. ALL GEOMETRIC TOLERANCES AND RELATED DATUMS APPLY RFS. RULE #1 (PERFECT FORM AT MMC) DOES NOT APPLY WHEN A RELATIONSHIP BETWEEN FEATURES IS ESTABLISHED BY ORIENTATION OR LOCATION TOLERANCES. SEPARATE POSITION CALLOUTS MAY BE GAGED SEPARATELY REGARDLESS OF DATUM REFERENCES. |   |  | DATE        |
|   | <br>CHANGE RESTRICTED<br>NO MANUAL CHANGES  | REFERENCE<br>12H (MOLEX AUTOMOTIVE)             | DRAFTER<br>APVD1<br>APVD2<br>APVD3<br>APVD4<br>APVD5 | 05JN15      |
| DO NOT SCALE  |  | DRAWING NAME                                    |  |             |
| METRIC<br>DIMENSIONS SHOWN IN<br>MILLIMETERS UNLESS<br>OTHERWISE SPECIFIED            |  | HARNESS CONN ASM-SEALED 52/66/73/80 CKTS, MX123 |  |             |
| DRAWING NUMBER  |  | DWG STATUS                                      |  | PAGE NUMBER |
| 12672833  |  | ST  | REV  | PD1         |
|   |  | R   | 001  |             |
|   |  |   |  | 1 OF 22     |

| PAGE | DWG STATUS |    |     |     |     | REVISION HISTORY                | AUTH   | DR  | CK | ENG |
|------|------------|----|-----|-----|-----|---------------------------------|--------|-----|----|-----|
|      | DATE       | ST | REV | CHG | PDI |                                 |        |     |    |     |
|      | 05JN15     | R  | 001 |     |     | RELEASED TO PRODUCTION AT DLS A | CRMRJE | DFK |    |     |

| PAGE | DWG STATUS |    |     |     |     | REVISION HISTORY | AUTH | DR | CK | ENG |
|------|------------|----|-----|-----|-----|------------------|------|----|----|-----|
|      | DATE       | ST | REV | CHG | PDI |                  |      |    |    |     |
|      |            |    |     |     |     |                  |      |    |    |     |

|   |                |                |            |     |     |             |         |
|---|----------------|----------------|------------|-----|-----|-------------|---------|
|  | PAGE TITLE     | DRAWING NUMBER | DWG STATUS |     |     | PAGE NUMBER |         |
|   | REVISION BLOCK |                | 12672833   | ST  | REV |             | PDI     |
|   |                |                | R          | 001 |     |             | 2 OF 22 |



KEY PRODUCT CHARACTERISTICS  
(IN ACCORDANCE WITH QN 1805 OR ON 1050)



SAFETY/COMPLIANCE

TOTAL ON  
DRAWING

4



FIT/FUNCTION

LAST NO.  
USED

4

| NO | TYPE | DESCRIPTION                     | RATIONALE                           | PAGE/ZONE |
|----|------|---------------------------------|-------------------------------------|-----------|
| 1  | F/F  | 32.68                           | IMPROVE CONNECTOR SYSTEM MATING     | 16        |
| 2  | F/F  | 29.00                           | INSURE PROPER RELEASE OF LEVER      | 16        |
| 3  | F/F  | 15.25                           | INSURE FINAL MATE POSITION          | 17        |
| 4  | F/F  | POSITIONAL TOLERANCE (2 PLACES) | INSURE CONNECTOR SYSTEM MATEABILITY | 20        |



PAGE TITLE  
KPC BLOCK

DRAWING NUMBER

12672833

DWG STATUS

|    |     |     |
|----|-----|-----|
| ST | REV | PDI |
|----|-----|-----|

|   |     |  |
|---|-----|--|
| R | 001 |  |
|---|-----|--|

PAGE NUMBER

4 OF 22



| LINE | MFG.   | MFG. P/N     | GM P/N   | EFFECTIVE DATE | APPLICABLE COMPONENTS  | KEY OPTION | WIRE DRESS OPTION | KEY CONFIG. | COLOR   | STATUS     |
|------|--------|--------------|----------|----------------|--|------------|-------------------|-------------|---------|------------|
|      |        |              |          |                | DESCRIPTION  |            |                   |             |         |            |
| -    |        |              |          |                |  |            |                   |             |         |            |
| 1    | MOLEX  | 34565-0003   | 12582676 | 02JN03         | MX123 DRESS COVER 52/66/73/80 CKT  | N/A        | N/A               | N/A         | BLACK   | AVAILABLE  |
| 2    | MOLEX  | 160094-0001  | 12672852 | 01SP13         | MX123 HRNS CONN ASSY 52 CKT  | A          | 0                 | 1458        | BLACK   | AVAILABLE  |
| 3    | MOLEX  | 160094-0003  | 12672854 | 01SP13         | MX123 HRNS CONN ASSY 52 CKT  | C          | 0                 | 2467        | BLUE    | AVAILABLE  |
| 4    | MOLEX  | 160094-0013  | 12672853 | 01SP13         | MX123 HRNS CONN ASSY 52 CKT  | A          | 9                 | 1458        | BLACK   | AVAILABLE  |
| 5    | MOLEX  | 160094-0015  | 12672855 | 01SP13         | MX123 HRNS CONN ASSY 52 CKT  | C          | 9                 | 2467        | BLUE    | AVAILABLE  |
| 6    | MOLEX  | 34822-0013   | 12672856 | 01SP13         | MX123 HRNS CONN ASSY 66 CKT  | A          | 0                 | 1458        | BLACK   | AVAILABLE  |
| 7    | MOLEX  | 34822-0033   | 12672858 | 01SP13         | MX123 HRNS CONN ASSY 66 CKT  | C          | 0                 | 2467        | BLUE    | AVAILABLE  |
| 8    | MOLEX  | 34822-0023   | 12672857 | 01SP13         | MX123 HRNS CONN ASSY 66 CKT  | A          | 9                 | 1458        | BLACK   | AVAILABLE  |
| 9    | MOLEX  | 34822-0043   | 12672859 | 01SP13         | MX123 HRNS CONN ASSY 66 CKT  | C          | 9                 | 2467        | BLUE    | AVAILABLE  |
| 10   | MOLEX  | 34566-0103   | 12672860 | 11JN04         | MX123 HRNS CONN ASSY 73 CKT  | A          | 0                 | 1458        | BLACK   | AVAILABLE  |
| 11   | MOLEX  | 34566-0203   | 12672862 | 11JN04         | MX123 HRNS CONN ASSY 73 CKT  | B          | 0                 | 1468        | ST GRAY | AVAILABLE  |
| 12   | MOLEX  | 34566-0303   | 12672864 | 09AP08         | MX123 HRNS CONN ASSY 73 CKT  | C          | 0                 | 2467        | BLUE    | AVAILABLE  |
| 13   | MOLEX  | 34566-0603   | 12672866 | 05DC14         | MX123 HRNS CONN ASSY 73 CKT  | F          | 0                 | 1357        | NATURAL | AVAILABLE  |
| 14   | MOLEX  | 34566-1303   | 12672861 | 11JN04         | MX123 HRNS CONN ASSY 73 CKT  | A          | 9                 | 1458        | BLACK   | AVAILABLE  |
| 15   | MOLEX  | 34566-1403   | 12672863 | 11JN04         | MX123 HRNS CONN ASSY 73 CKT  | B          | 9                 | 1468        | ST GRAY | AVAILABLE  |
| 16   | MOLEX  | 34566-1503   | 12672865 | 09AP08         | MX123 HRNS CONN ASSY 73 CKT  | C          | 9                 | 2467        | BLUE    | AVAILABLE  |
| 17   | MOLEX  | 34566-1803   | 12672867 | 05DC14         | MX123 HRNS CONN ASSY 73 CKT  | F          | 9                 | 1357        | NATURAL | AVAILABLE  |
| 18   | MOLEX  | 34566-0703   | 12672872 | 09AP08         | MX123 HRNS CONN ASSY 80 CKT  | G          | 0                 | 1358        | BLUE    | AVAILABLE  |
| 19   | MOLEX  | 34566-0803   | 12672870 | 11JN04         | MX123 HRNS CONN ASSY 80 CKT  | H          | 0                 | 2458        | ST GRAY | AVAILABLE  |
| 20   | MOLEX  | 34566-0903   | 12672868 | T.B.D          | MX123 HRNS CONN ASSY 80 CKT  | J          | 0                 | 2457        | BLACK   | NOT ACTIVE |
| 21   | MOLEX  | 34566-1903   | 12672873 | 09AP08         | MX123 HRNS CONN ASSY 80 CKT  | G          | 9                 | 1358        | BLUE    | AVAILABLE  |
| 22   | MOLEX  | 34566-2003   | 12672871 | 11JN04         | MX123 HRNS CONN ASSY 80 CKT  | H          | 9                 | 2458        | ST GRAY | AVAILABLE  |
| 23   | MOLEX  | 34566-2103   | 12672869 | T.B.D          | MX123 HRNS CONN ASSY 80 CKT  | J          | 9                 | 2457        | BLACK   | NOT ACTIVE |
| 24   | MOLEX  | 34736-0028   | 12672851 | 01AU10         | MX64 RCPT TERM Ag 0.5mm/0.75mm ISO GAGE B (RIGHT PAYOFF)   | N/A        | N/A               | N/A         | N/A     | AVAILABLE  |
| 25   | MOLEX  | 34736-0026   | 12672850 | 01AU10         | MX64 RCPT TERM Ag 0.35mm ISO GAGE B (RIGHT PAYOFF)   | N/A        | N/A               | N/A         | N/A     | AVAILABLE  |
| 26   | MOLEX  | 34586-0001   | 12674820 | 11JN04         | MX123 0.64mm GROMMET PLUG  | N/A        | N/A               | N/A         | NATURAL | AVAILABLE  |
| 27   | YAZAKI | 7116-4150-02 | 12588066 | 02JN03         | 2.8mm YESC SEALED FEMALE TERMINAL TIN 0.35mm2-0.50mm2  | N/A        | N/A               | N/A         | N/A     | NOT ACTIVE |
| 28   | YAZAKI | 7116-4151-02 | 12588067 | 02JN03         | 2.8mm YESC SEALED FEMALE TERMINAL TIN 0.75mm2-1.0mm2   | N/A        | N/A               | N/A         | N/A     | NOT ACTIVE |
| 29   | YAZAKI | 7116-4152-02 | 12582685 | 02JN03         | 2.8mm YESC SEALED FEMALE TERMINAL TIN 1.5mm2-2.5mm2  | N/A        | N/A               | N/A         | N/A     | AVAILABLE  |
| 30   | YAZAKI | 7158-3111-60 | 12588068 | 02JN03         | 2.8mm CABLE SEAL (wire O.D. range 1.2mm-1.9mm)   | N/A        | N/A               | N/A         | GREEN   | NOT ACTIVE |
| 31   | YAZAKI | 7158-3112-70 | 12588069 | 02JN03         | 2.8mm CABLE SEAL (wire O.D. range 1.8mm-2.3mm)   | N/A        | N/A               | N/A         | YELLOW  | NOT ACTIVE |
| 32   | YAZAKI | 7158-3113-40 | 12582686 | 02JN03         | 2.8mm CABLE SEAL (wire O.D. range 2.1mm-3.0mm)   | N/A        | N/A               | N/A         | WHITE   | AVAILABLE  |
| 33   | YAZAKI | 7158-3114-90 | 12674821 | 02JN03         | 2.8mm YESC CAVITY PLUG   | N/A        | N/A               | N/A         | BLUE    | AVAILABLE  |
| 34   | MOLEX  | 63825-8400   | N/A      | 02JN03         | MX64 TERM HAND CRIMP TOOL  | N/A        | N/A               | N/A         | N/A     | AVAILABLE  |
| 35   | MOLEX  | 63813-1400   | XX019826 | 02JN03         | MX64 TERM SERVICE TOOL   | N/A        | N/A               | N/A         | N/A     | AVAILABLE  |
| 36   | MOLEX  | 63902-5300   | N/A      | 02JN03         | MX64 CRIMP APPLICATOR with TOOL KIT 0.5/0.75mm2 PAYOFF DIRECTION D (left payoff) (contact Molex for payoff detail) | N/A        | N/A               | N/A         | N/A     | AVAILABLE  |
| 37   | MOLEX  | 63902-5370   | N/A      | 02JN03         | MX64 APPLICATOR TOOL KIT 0.5/0.75mm2   | N/A        | N/A               | N/A         | N/A     | AVAILABLE  |
| 38   | MOLEX  | 63902-5100   | N/A      | 02JN03         | MX64 CRIMP APPLICATOR with TOOL KIT 0.35mm2 PAYOFF DIRECTION D (left payoff) (contact Molex for payoff detail)     | N/A        | N/A               | N/A         | N/A     | AVAILABLE  |
| 39   | MOLEX  | 63902-5170   | N/A      | 02JN03         | MX64 APPLICATOR TOOL KIT 0.35mm2   | N/A        | N/A               | N/A         | N/A     | AVAILABLE  |
| 40   | SPX    | J35616-64    | T.B.D.   | 02JN03         | 0.64mm PROBE TOOL (for rcpt)   | N/A        | N/A               | N/A         | N/A     | AVAILABLE  |
| 41   | SPX    | J35616-64A   | T.B.D.   | 02JN03         | 0.64mm PROBE TOOL WITH EXT (for rcpt)  | N/A        | N/A               | N/A         | N/A     | AVAILABLE  |
| 42   | SPX    | J35616-65    | T.B.D.   | 02JN03         | 0.64mm PROBE TOOL WITH EXT (for pin)   | N/A        | N/A               | N/A         | N/A     | AVAILABLE  |
| 43   | SPX    | J35616-4A    | T.B.D.   | 02JN03         | 2.8mm PROBE TOOL (for rcpt)  | N/A        | N/A               | N/A         | N/A     | AVAILABLE  |
| 44   | YAZAKI | X39899-J374  | 12094430 | 02JN03         | 2.8mm TERM SERVICE TOOL  | N/A        | N/A               | N/A         | N/A     | AVAILABLE  |
| 45   | TQI    | 7000-1006    | N/A      | 15JN15         | 52 CKT PASS THROUGH ADAPTERS   | N/A        | N/A               | N/A         | BLACK   | AVAILABLE  |
| 46   | TQI    | 7000-1002    | N/A      | 15JN15         | 66 CKT PASS THROUGH ADAPTERS   | N/A        | N/A               | N/A         | BLACK   | AVAILABLE  |
| 47   | TQI    | 79917-0061   | N/A      | 15JN15         | 73 CKT PASS THROUGH ADAPTERS   | N/A        | N/A               | N/A         | BLACK   | AVAILABLE  |
| 48   | TQI    | 79917-0066   | N/A      | 15JN15         | 80 CKT PASS THROUGH ADAPTERS   | N/A        | N/A               | N/A         | BLACK   | AVAILABLE  |

\* - MX123 DRESS COVER 52/66/73/80 CKT MATES TO ANY MX123 HARN CONN ASSY SHOWN ON TABLE ABOVE



PAGE TITLE  
COMPONENT TABLE

DRAWING NUMBER

12672833

DWG STATUS

ST REV PDI

R 001

PAGE NUMBER

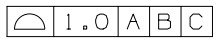
5 OF 22

NOTES: UNLESS OTHERWISE SPECIFIED

1. MATERIAL FOR INTERFACE:


- A. RESIN:
  - 1. 30% G.F. PBT; 20% MAX. (BY WEIGHT) REGRIND.
  - 2. MATING CONNECTOR INTERFACE PART COLOR MUST BE SAME AS MATCHING KEYED HARNESS CONNECTOR ASSEMBLY.
  - 3. MUST BE VALIDATED FOR INDIVIDUAL DEVICE APPLICATION REQUIREMENTS.
- B. 0.64MM PINS:
  - 1. BASE MATERIAL: COPPER ALLOY; CONDUCTIVITY >= 28% IACS AT 20°C; TENSILE STRENGTH >= 635 N/mm<sup>2</sup>; SURFACE ROUGHNESS R<sub>a</sub> 6 MAX.
  - 2. PLATING FINISH: SILVER (Ag). PLATING TO BE 1.9-3.3 μm ELECTRODEPOSITED SEMI-BRIGHT SILVER OVER 1.25-2.25 μm DUCTILE SULPHAMATE NICKEL PER NOTE 1(D).
  - 3. ANTI-TARNISH: SYNTHETIC HYDROCARBON CONTACT SURFACE FINISH OR EQUIVALENT APPLIED WITHOUT VOID TO CONTACT AREA (MIN 3.7mm FROM PIN TIP).
- C. 2.8MM BLADE:
  - 1. BASE MATERIAL: COPPER ALLOY; CONDUCTIVITY >= 28% IACS AT 20°C; TENSILE STRENGTH >= 350 N/mm<sup>2</sup>; SURFACE ROUGHNESS R<sub>a</sub> 6 MAX.
  - 2. PLATING FINISH: TIN. PLATING TO BE 2.5-5.0 μm ELECTRODEPOSITED TIN, MATTE FINISH OVER 1.25-2.5 μm DUCTILE SULPHAMATE NICKEL PER NOTE 1(D).
- D. PLATING REQUIREMENTS:
  - 1. SILVER PLATING
    - a. 99.5% PURE SEMI-BRIGHT WITH NO ORGANIC BRIGHTNERS OR CHROMATES.
  - 2. NICKEL PLATING
    - a. ELECTRODEPOSITED DUCTILE SULFAMATE NICKEL WITH A NON-BRIGHTENED FINISH. NO ORGANIC OR BRIGHTENING AGENTS SHALL BE ALLOWED.
    - b. SHALL ONLY BE USED AS AN UNDERLYING PLATING AND MAY NOT BE USED AS AN ELECTRICAL CONTACT SURFACE PLATING.
    - c. SHALL BE NODULE FREE WHEN VIEWED AT 10X MAGNIFICATION IN MEASURED IN CONTACT SURFACE AREA PLUS 0.5MM PERIMETER AROUND THE CONTACT SURFACE AREA.
    - d. ALL PLATINGS SHALL HAVE A 1.0% MAXIMUM BY WEIGHT IMPURITIES. IMPURITIES ARE DEFINED AS ALL ELEMENTS NOT THE PRIMARY PLATING OR HARDENING AGENT IF APPLICABLE, AS DETERMINED BY WET CHEMICAL ANALYSIS OR AUGER METHOD. NO SINGLE IMPURITY SHALL EXCEED 0.1% MAXIMUM BY WEIGHT.
  - 3. TESTING
    - a. THICKNESS TO BE MEASURED IN CONTACT SURFACE AREA PLUS 0.5MM PERIMETER AROUND THE CONTACT SURFACE AREA AS DESIGNATED IN THE DRAWING. THICKNESS SHALL BE DETERMINED BY METHOD OF X-RAY (XRF).
    - b. PLATING ADHESION SHALL BE TESTED BY A BEND TEST FOR ALL METALS. THE TEST SAMPLE SHALL BE BENT 90 DEGREES TO DETERMINE DEPOSIT ADHESION. TESTING SHALL BE COMPLETED IN ACCORDANCE WITH ASTM SPEC B571.

2. DESIGN - GENERAL:

- A. THIS IS A 100% CAD GENERATED PART. THE CAD MATHEMATICAL DATA IS THE MASTER FOR THIS PART. FOR DIMENSIONAL OR ANY INFORMATION NOT SHOWN ON THIS DRAWING, ANALYZE THE CAD MODEL.
- B. TOLERANCES:
  - 1. LINEAR
    - 0.X ± 0.30
    - 0.XX ± 0.10
    - 0.XXX ± 0.10
  - 2. ANGULAR X° ± 3°
  - 3. 
- C. MINIMUM WALL THICKNESS REQUIRED: 1.3mm.
- D. CORNERS SHOWN AS SHARP TO BE R 0.2 MAX.
- E. LETTERING SHALL BE 0.15 MAX RAISED IN 0.20 MAX RECESS PAD. THIS INCLUDES MATERIAL CODE, RECYCLING CODE, CAVITY ID AND DATE CODE.
- F-1. PARTS MUST BE FREE OF DISCOLORATION, SALT RESIDUE AND OTHER IMPERFECTIONS THAT AFFECT FIT OR FUNCTION.
- F-2. SCRATCHES OR DENTS NOT TO EXCEED 0.013mm IN DEPTH.
- G. FOLLOWING PRODUCTION CODES TO BE PERMANENTLY MARKED & HUMAN READABLE TO A LETTER HEIGHT OF 1.5 ± 0.5MM X 0.3 MAX DEEP
  - 1. MATERIAL #: XXXXX-XXXX
  - 2. DATE CODE: JJJY (JULIAN DAY, LAST DIGIT OF YEAR)
  - 3. INSPECTION MACHINE CODE + SERIAL #: X\_XXXXX

3. DESIGN - MANUFACTURING:

- A. DRAFT TO BE WITHIN TOLERANCE.
- B. ALLOWABLE FLASH MAX 0.2 HIGH X MAX 0.13 THICK.
- C. ALLOWABLE PARTING LINE MISMATCH 0.2 MAX.
- D. EJECTOR PINS MARK TO BE FLUSH TO 0.25 MAX DEPRESSED.
- E. ALLOWABLE GATE VESTIGE FLUSH TO 0.25 MAX PROTRUSION.
- F. NO EXTERNAL MOLD RELEASE AGENT ALLOWED DURING MANUFACTURING.
- G. STEEL THAT FORMS THE INDICATED SURFACE MUST BE POLISHED WITH A DIAMOND FINISH (SPI A-2) OVER THE FULL PERIPHERY OF THE TOOL. SURFACE MUST HAVE NO MISMATCH.
- H. ANY PROCESS LUBRICANT REMAINING ON THE TERMINAL MUST NOT VARNISH OR DEGRADE IT'S ELECTRICAL PERFORMANCE UP TO A MAXIMUM CLASS AMBIENT TEMPERATURE PER SAE USCAR-2 FOR 1008 HOURS. PROCESS LUBRICANTS SHOULD BE APPROVED BY THE RESPONSIBLE ENGINEER.
- J. OPTIONAL FEATURES PROVIDED FOR AUTOMATION.
- K. PART MUST BE FREE FROM BURRS AND SHARP EDGES, WHICH MIGHT BE DETRIMENTAL TO SATISFACTORY ASSEMBLY, SAFE HANDLING OR FUNCTION OF PART.
- L. PARTS AS DELIVERED TO ASSEMBLY SHALL BE CLEAN AND FREE OF DEBRIS, RESIDUAL ABRASIVE MATERIAL AND CORROSION PRODUCTS ADVERESLY AFFECTING FUNCTION OR APPEARANCE.
- M. RESTRICTED AND REPORTABLE SUBSTANCES FOR PARTS PER GMW3059.

|   |            |                |            |    |     |             |         |
|---|------------|----------------|------------|----|-----|-------------|---------|
|  | PAGE TITLE | DRAWING NUMBER | DWG STATUS |    |     | PAGE NUMBER |         |
|   | NOTES      |                | 12672833   | ST | REV | PDI         | 6 OF 22 |
|   |            |                |            | R  | 001 |             |         |

NOTES: UNLESS OTHERWISE SPECIFIED

4. SYSTEM REQUIREMENTS:

- A. HARNESS CONNECTOR IS COMPATIBLE WITH THE FOLLOWING ISO WIRE SIZE NO'S:  
 0.35mm<sup>2</sup>, MEETING GMW15626 - MIN OD OF 1.30MM  
 0.50mm<sup>2</sup>, MEETING GMW15626  
 0.75mm<sup>2</sup>, MEETING GMW15626 - MAX OD OF 2.06MM

B. CABLE TIE SPECIFICATIONS:

1. CABLE TIE:
  - TENSILE RATING: 220N / (50lbs) MIN
  - TIE LENGTH: 186mm MIN
  - TIE WIDTH: 4.75mm MAX
  - MATERIAL: NYLON
2. INSTALLATION:
  - CABLE TIE TENSION: 190N MIN
3. DRESSED WIRE BUNDLE PACKAGING: SEE FIG. 1

C. WHEN MATED WITH COMPONENT CONNECTOR INTERFACE AND/OR DRESS COVER, HARNESS CONNECTOR SYSTEM CONFORMS TO THE FOLLOWING:

1. SAE/USCAR-2, REV: 3 APRIL, 2001; CLASS 3
2. FIELD CORRELATED LIFE TEST, SAE/USCAR-20, NOV. 2001
3. GMW #3191 AUGUST 22, 2000 (DRAFT); TEMPERATURE CLASS 3, SEALING CLASS 1, VIBRATION CLASS 2
4. RESTRICTED AND REPORTABLE CHEMICALS PER GMW #3059, REV: D AUGUST 2002
5. TPA USER FORCES (FULLY POPULATED WITH TERMINALS)
  - a. REMOVAL FROM LOCK TO PRE-SET: <=120N

D. WIRE SPECIFICATIONS:

1. WIRE SURFACE MUST BE FREE OF SCRATCHES, GROOVES OR DENTS WHERE FUNCTIONAL

5. TERMINAL CURRENT RATINGS:

A. MX64 RCPT TERM

ALL TESTING DONE IN ACCORDANCE WITH USCAR-2 REV5 SECTION 5.3

1. MX64 RCPT TERM Ag 0.50/0.75mm<sup>2</sup> CRIMPED TO 0.75mm<sup>2</sup> ISO WIRE AND MATED TO MX123 0.64MM PIN: SEE TABLE BELOW
2. MX64 RCPT TERM Ag 0.35mm<sup>2</sup> CRIMPED TO 0.35mm<sup>2</sup> ISO WIRE AND MATED TO MX123 0.64MM PIN: SEE TABLE BELOW

| WIRE                | CURRENT RATING |       |       |       |
|---------------------|----------------|-------|-------|-------|
|                     | 23°C           | 85°C  | 105°C | 125°C |
| 0.75mm <sup>2</sup> | 11.3A          | 11.3A | 9.5A  | 6.6A  |
| 0.50mm <sup>2</sup> | 10.0A          | 10.0A | 8.3A  | 5.7A  |
| 0.35mm <sup>2</sup> | 8.5A           | 8.5A  | 7.1A  | 5.0A  |

B. 2.8MM RCPT TERM

ALL TESTING DONE IN ACCORDANCE WITH MOLEX DVP&R 0279 (TR # 7125)

1. 2.8MM RCPT TERM TIN 2.0mm<sup>2</sup> CRIMPED TO 2.0mm<sup>2</sup> ISO WIRE AND MATED TO MX123 2.8MM BLADE: 25.6 AMPS AT 125°C

6. CONTACT MOLEX AUTOMOTIVE FOR AVAILABLE CUSTOM PATTERNS OF CAVITIES OPEN FOR CIRCUITS - SEE GM DRAWING 13507496



PAGE TITLE  
NOTES

DRAWING NUMBER

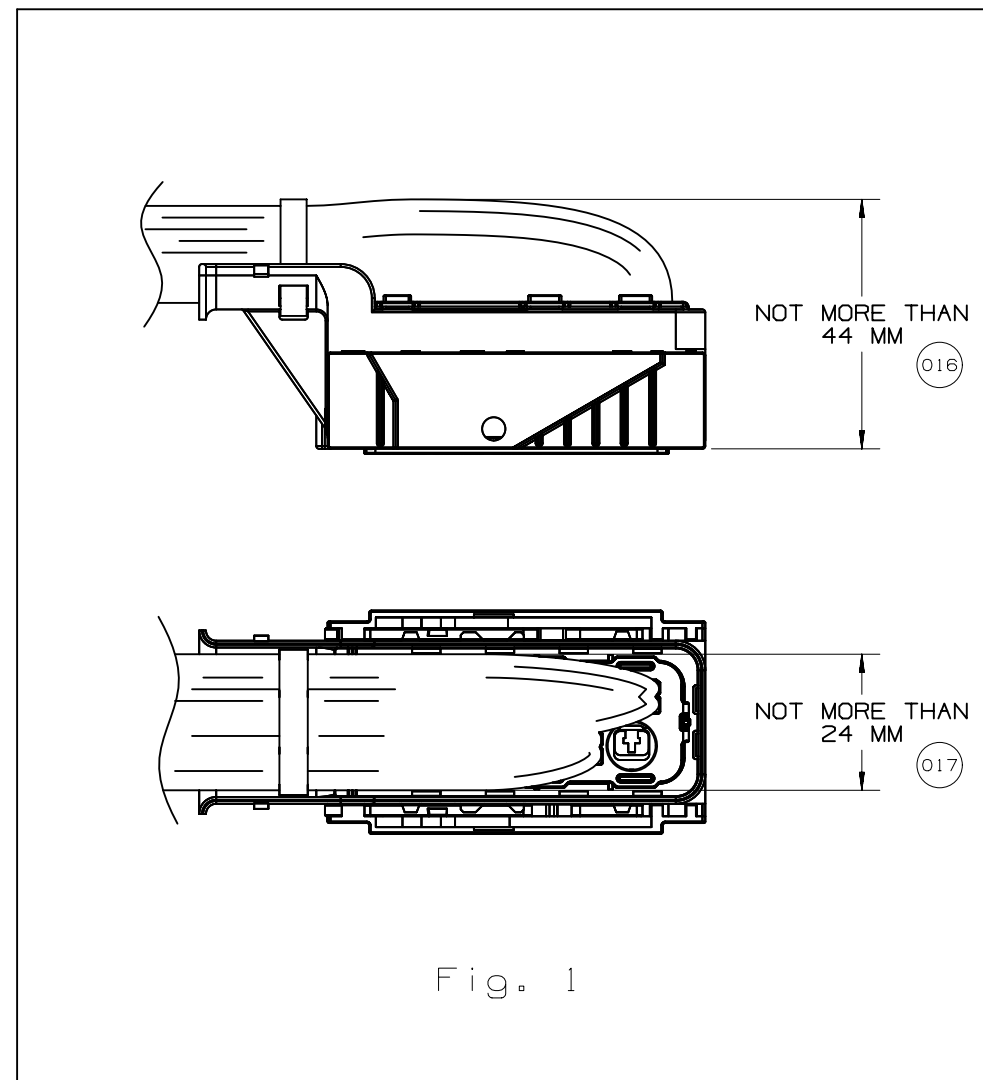
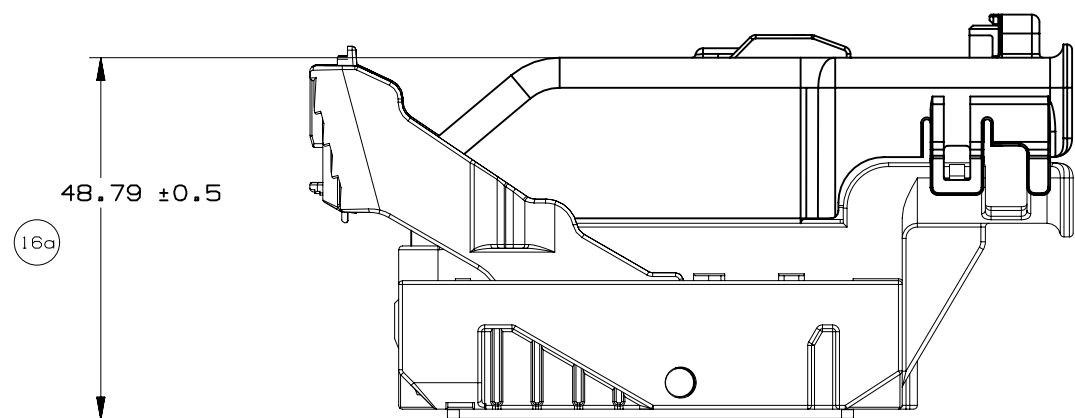
12672833

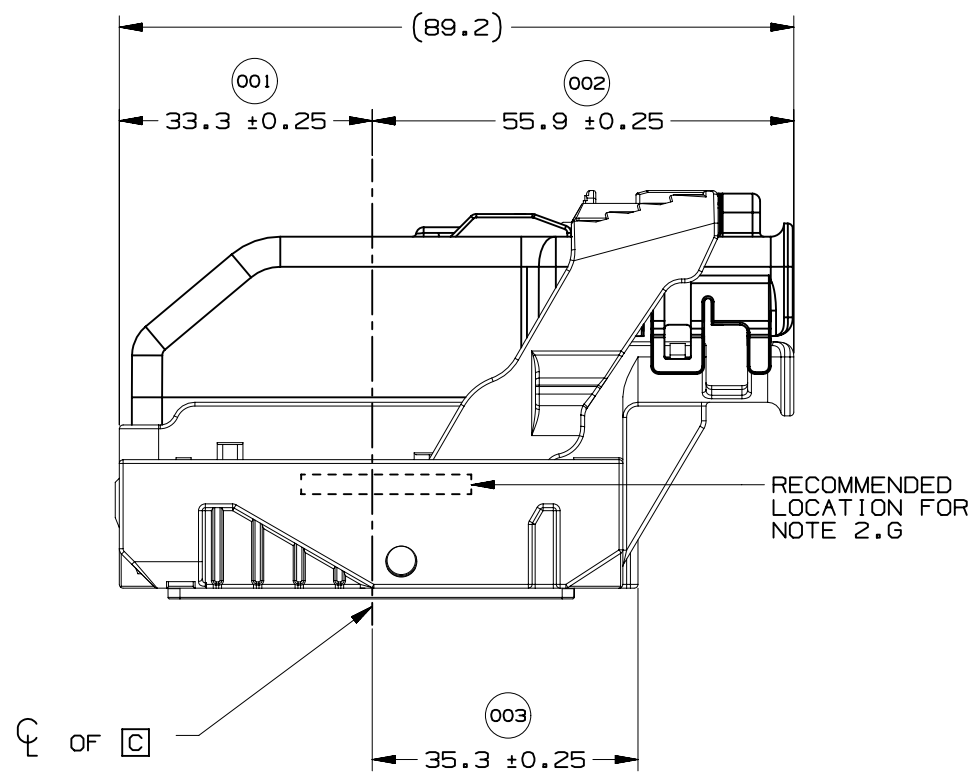
DWG STATUS

| ST | REV | PDI |
|----|-----|-----|
| R  | 001 |     |

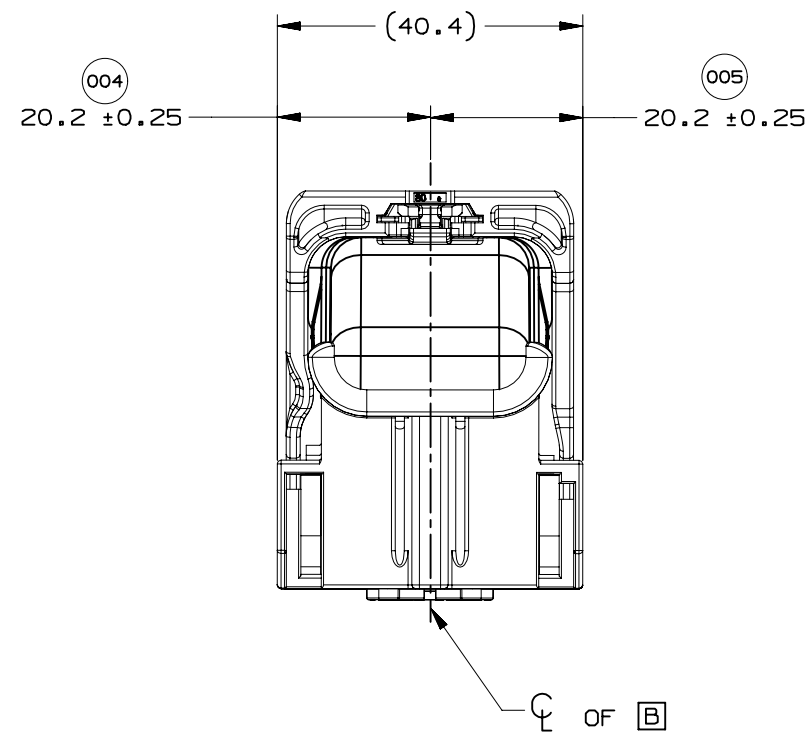
PAGE NUMBER

7 OF 22

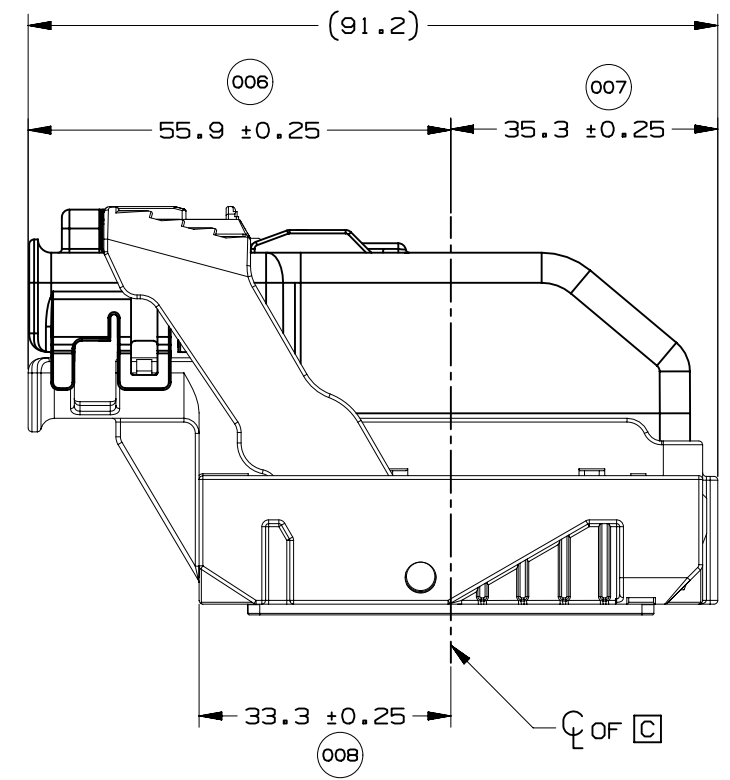




WIRE DRESS OPTION 0 SHOWN

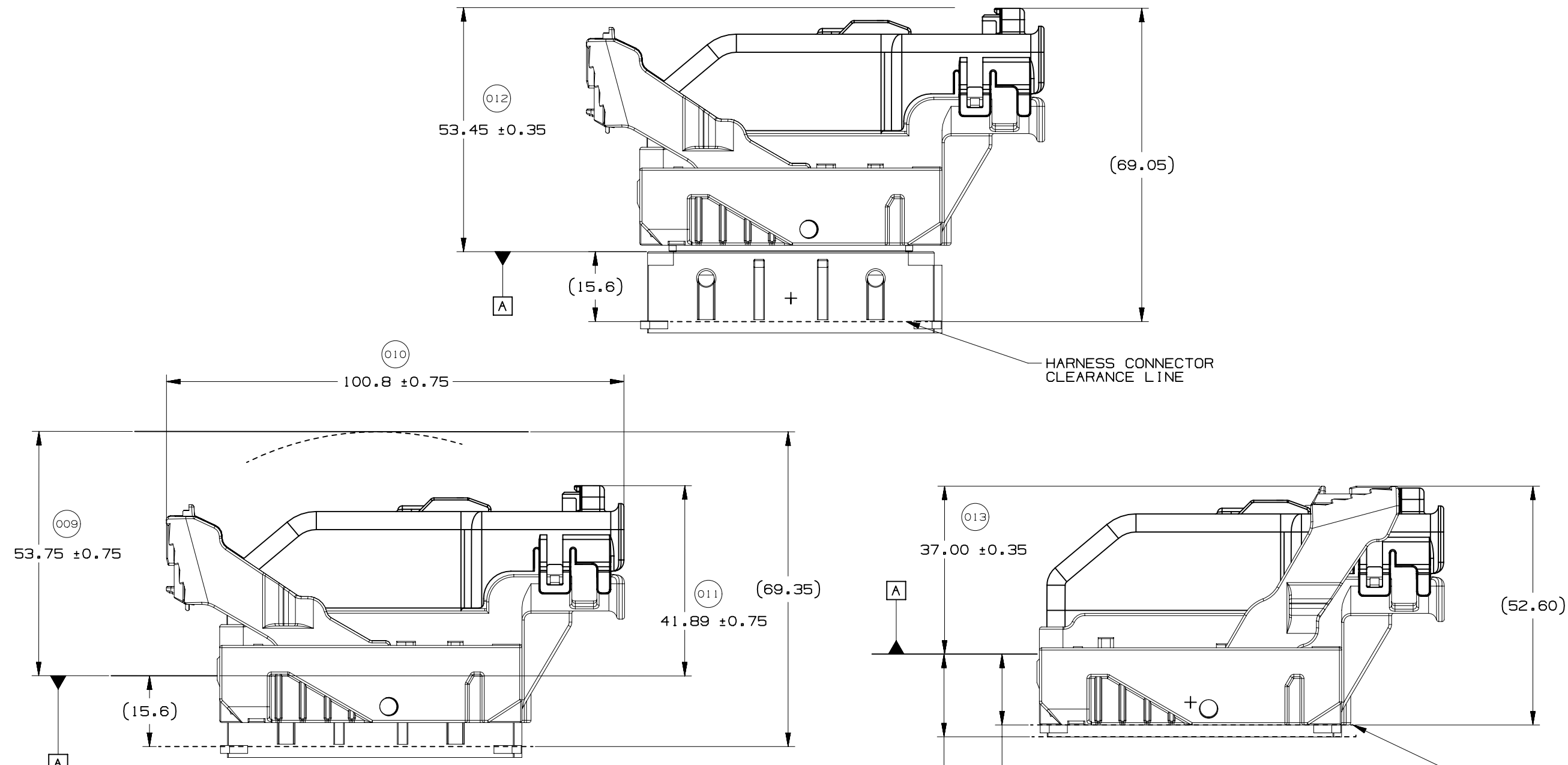


WIRE DRESS OPTION 0 SHOWN



WIRE DRESS OPTION 9 SHOWN





HARNESS CONNECTOR CLEARANCE LINE

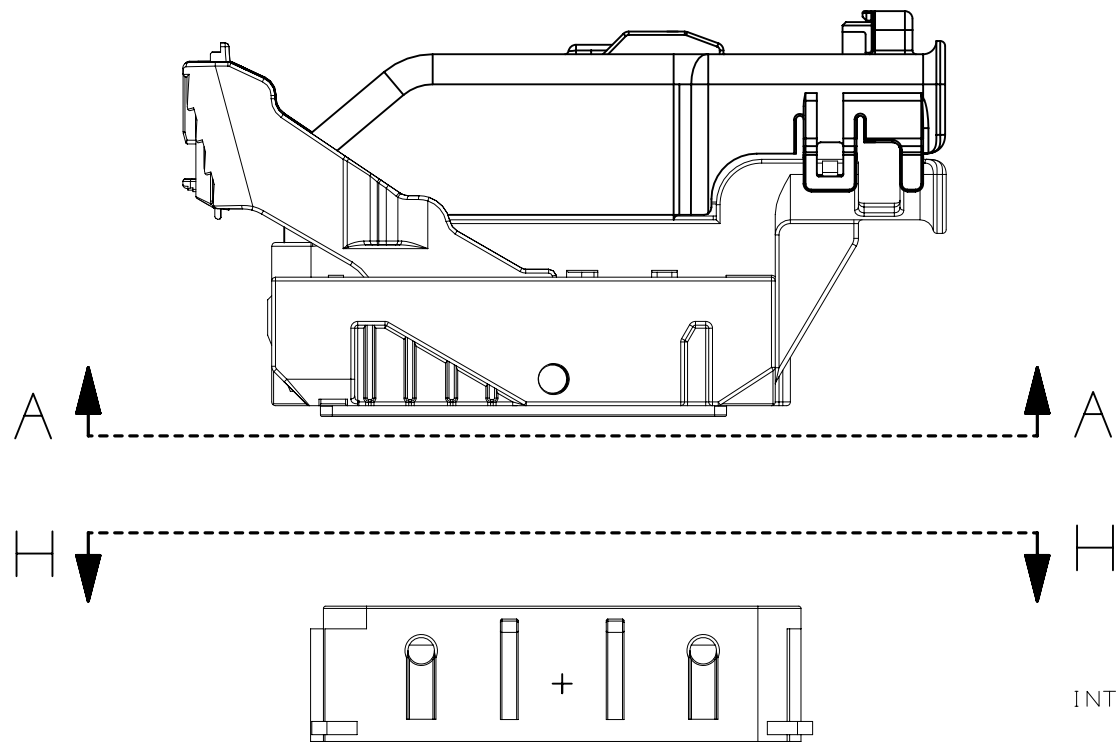
HARNESS CONNECTOR ASSEMBLY IN FULLY-MATED POSITION

HARNESS CONNECTOR CLEARANCE LINE

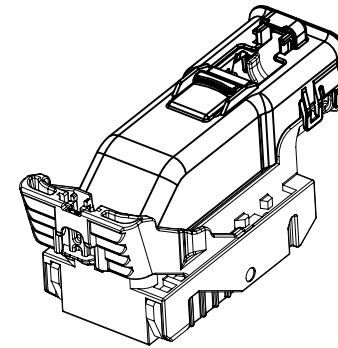
15.6 MIN. ALL AROUND CLEARANCE REQUIRED FOR HARNESS CONNECTOR (014)

17.9 MIN. AT PAD LOCATION CLEARANCE REQUIRED FOR HARNESS CONNECTOR CONSTRUCTION BELOW THIS PLANE IS NOT CONTROLLED (015)

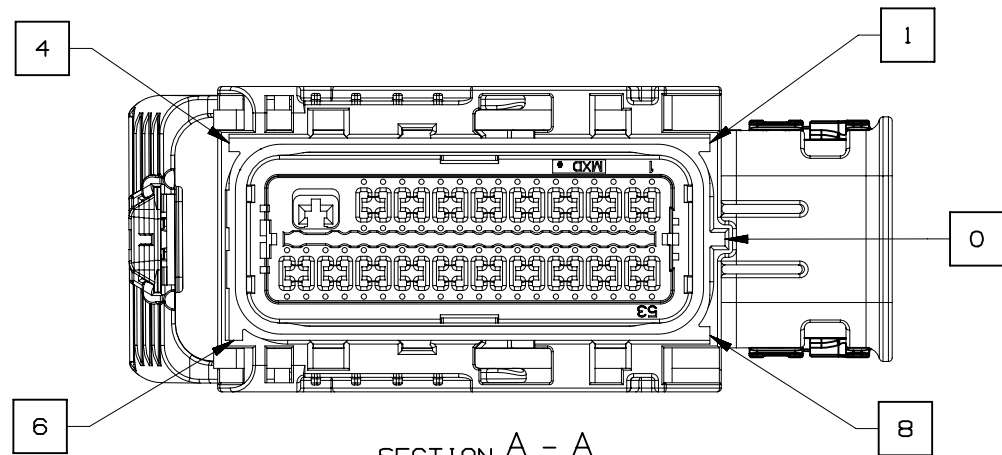
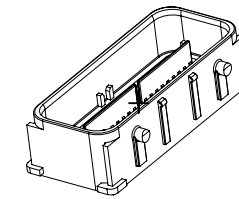
|  |  |                            |     |  |                                |  |  |                               |  |
|--|--|----------------------------|-----|--|--------------------------------|--|--|-------------------------------|--|
|  | PAGE TITLE<br>LOCATION AND PACKAGING DIMENSIONS<br>REFERENCING INTERFACE DATUM A | DRAWING NUMBER<br>12672833 |     |  | DWG STATUS<br>ST    REV    PDI |  |  | PAGE NUMBER<br>10    OF    22 |  |
|  |  | R                          | 001 |  |                                |  |  |                               |  |
|  |  |                            |     |  |                                |  |  |                               |  |



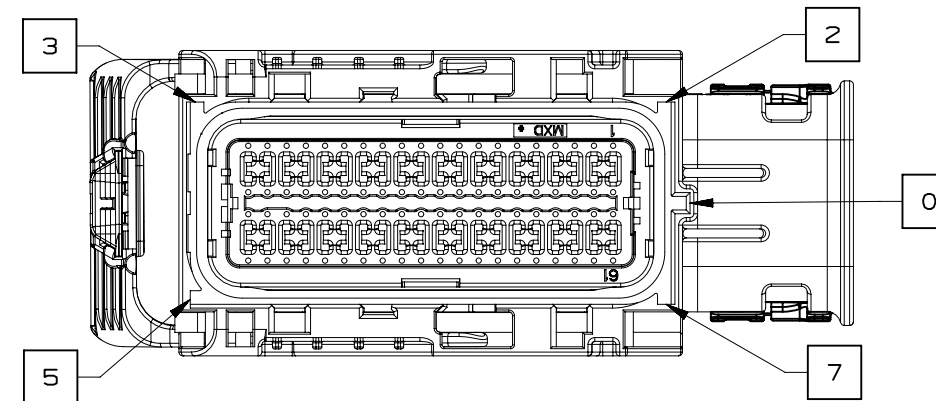
INTERFACE SIDE SHOWN ON ALL SECTION VIEWS



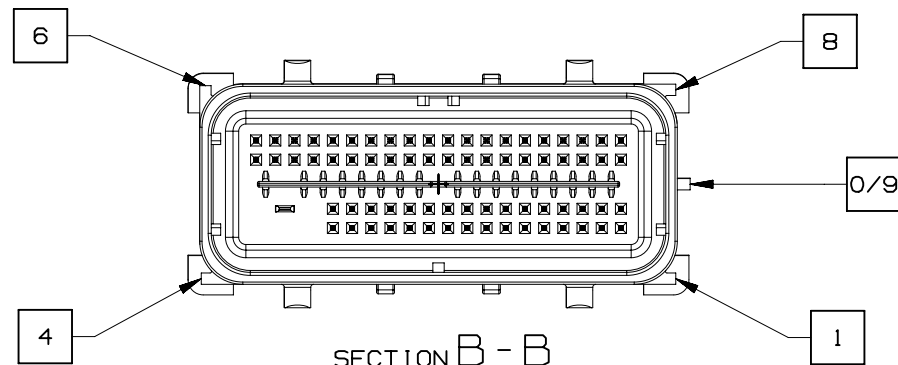
NOTE: REFERENCE THE COMPONENT TABLE FOR KEY OPTIONS AND CONFIGURATIONS



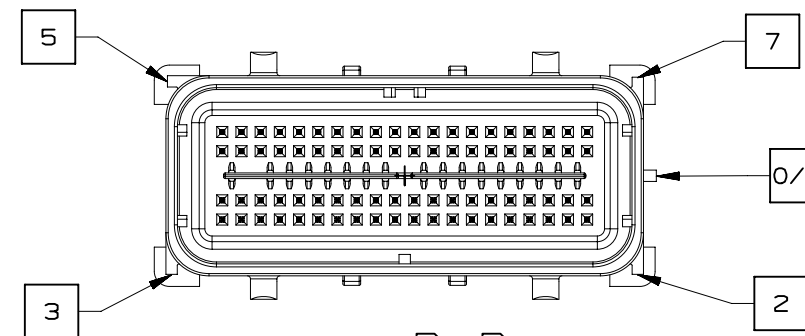
SECTION A - A  
73 CKT HARNESS CONNECTOR ASSEMBLY  
KEY OPTION B SHOWN



SECTION A - A  
80 CKT HARNESS CONNECTOR ASSEMBLY  
KEY OPTION K SHOWN



SECTION B - B  
73 CKT HARNESS CONNECTOR ASSEMBLY  
KEY OPTION B SHOWN



SECTION B - B  
80 CKT HARNESS CONNECTOR ASSEMBLY  
KEY OPTION K SHOWN

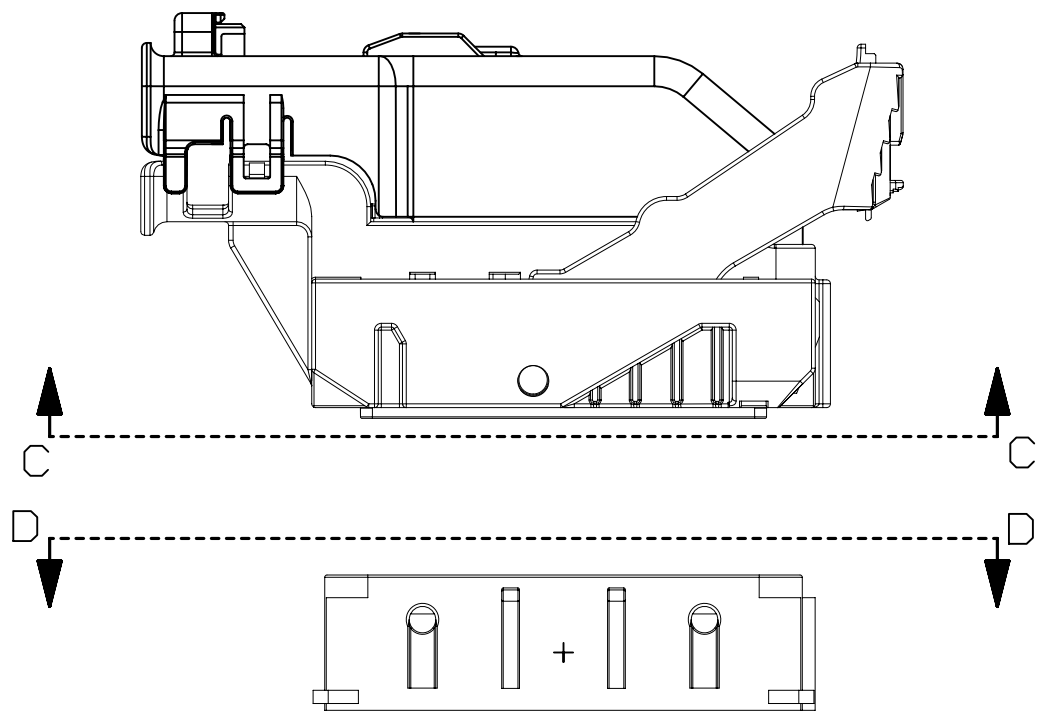


PAGE TITLE  
KEY ID REF - WIRE DRESS OPTION 0

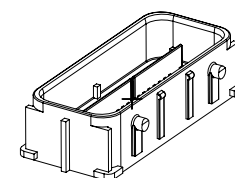
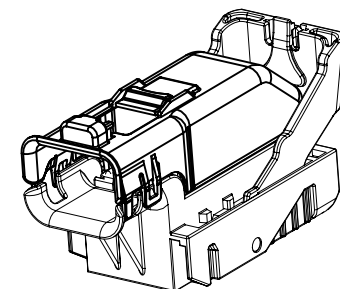
DRAWING NUMBER  
12672833

| DWG STATUS |     |     |
|------------|-----|-----|
| ST         | REV | PD1 |
| R          | 001 |     |

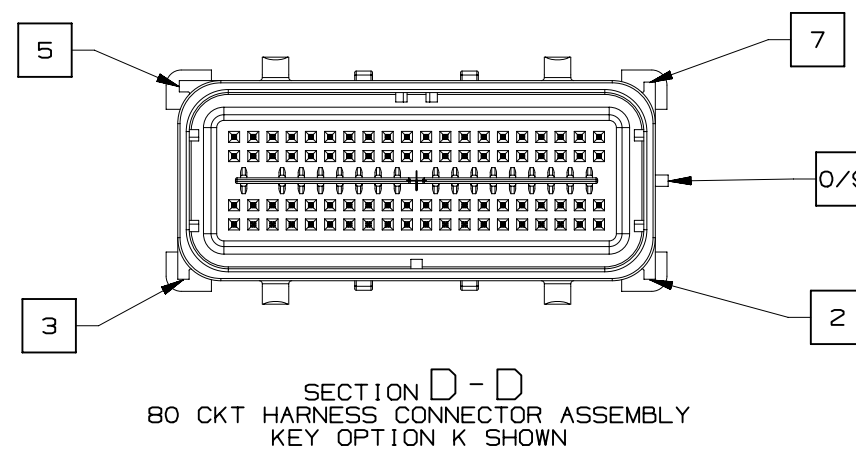
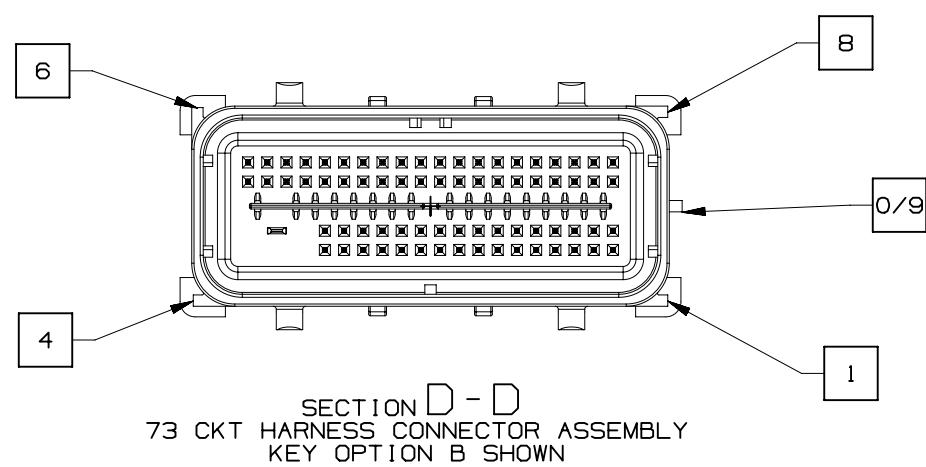
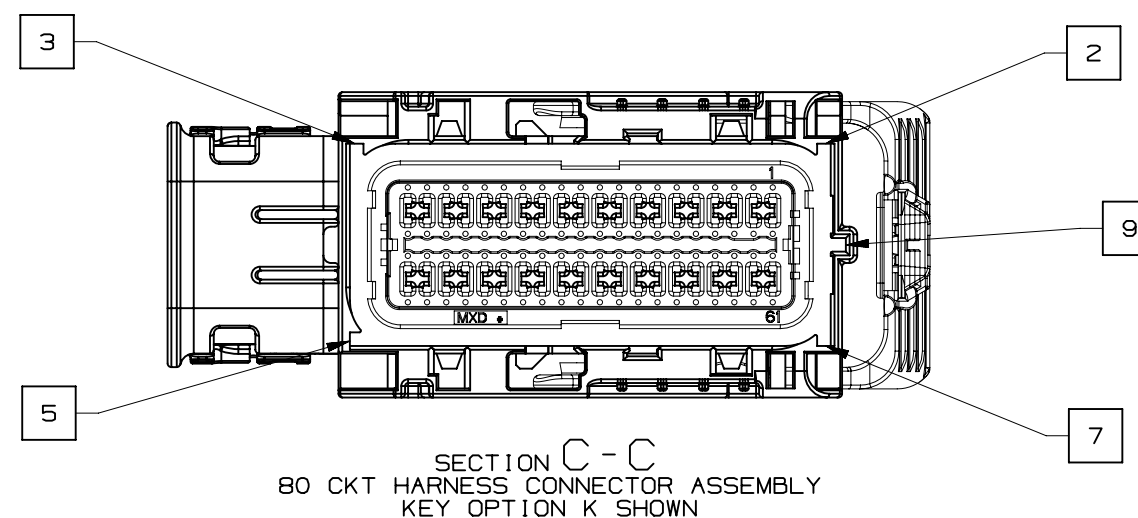
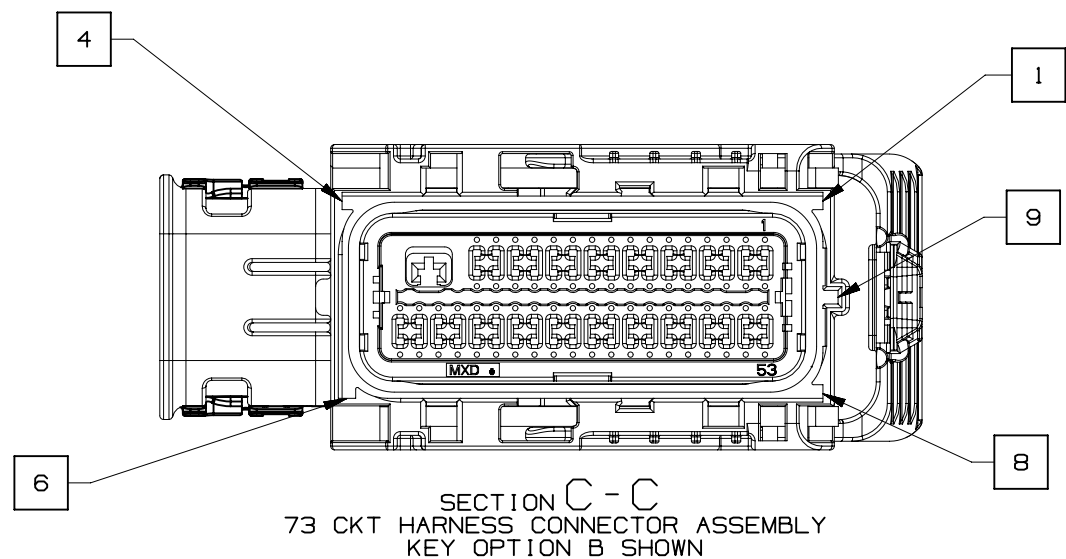
PAGE NUMBER  
11 OF 22



INTERFACE SIDE SHOWN ON ALL SECTION VIEWS



NOTE: REFERENCE THE COMPONENT TABLE FOR KEY OPTIONS AND CONFIGURATIONS



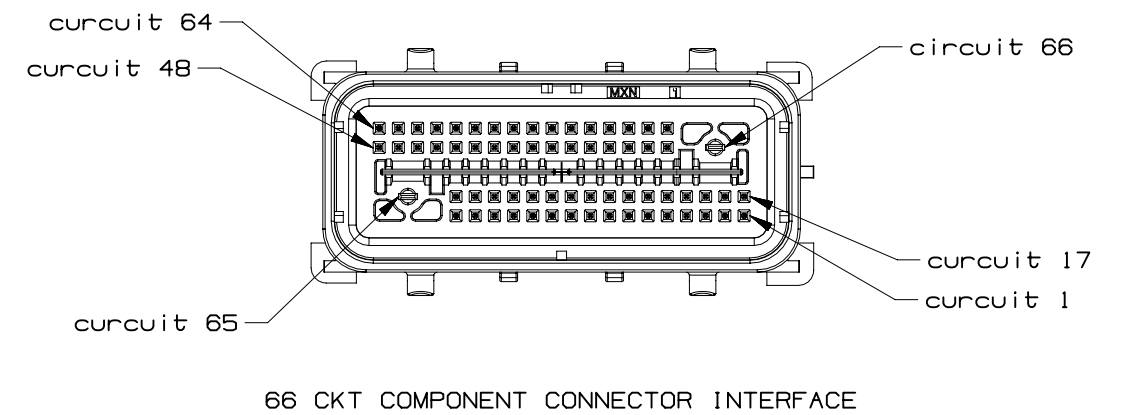
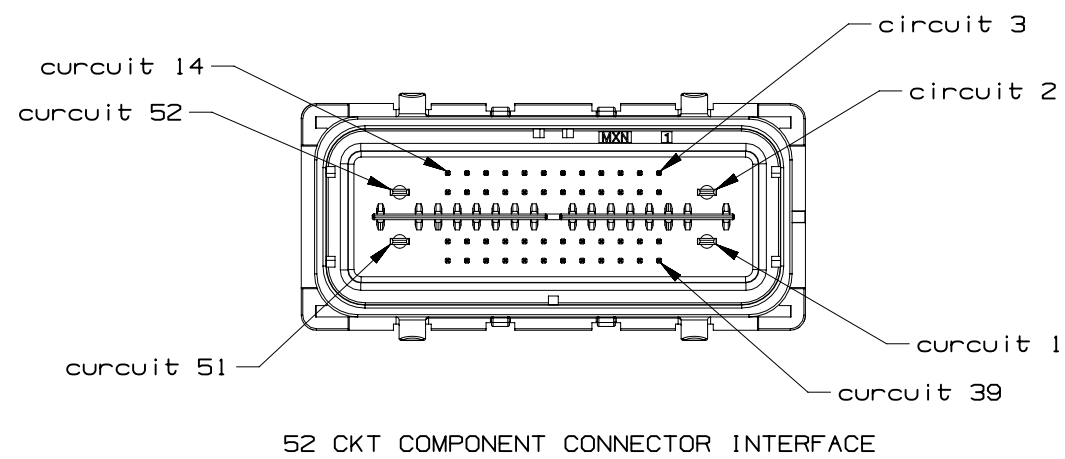
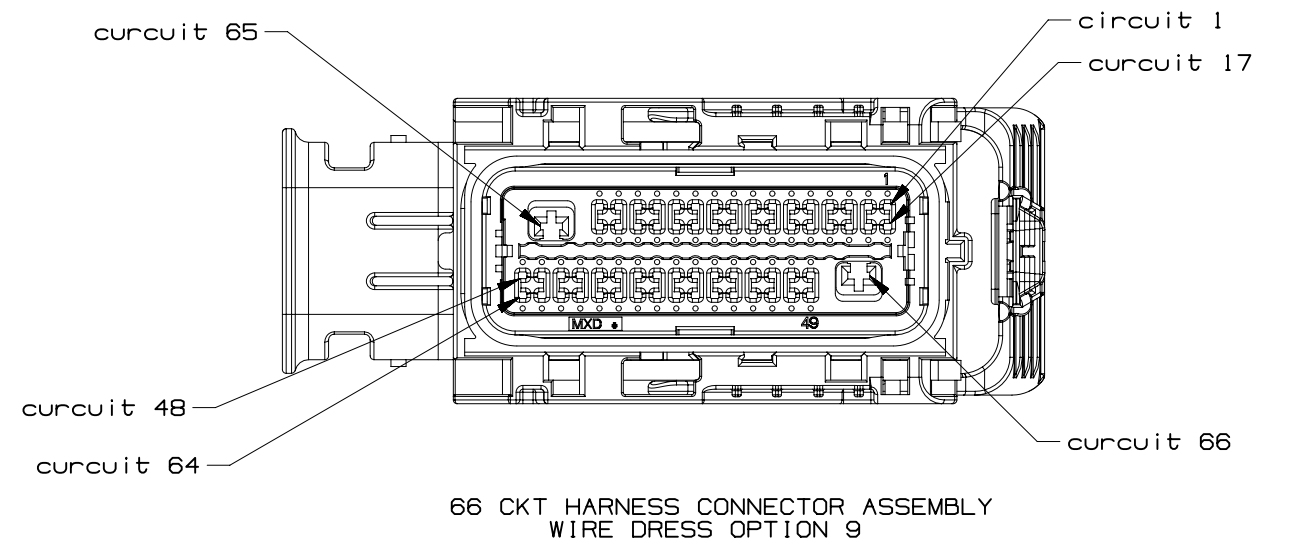
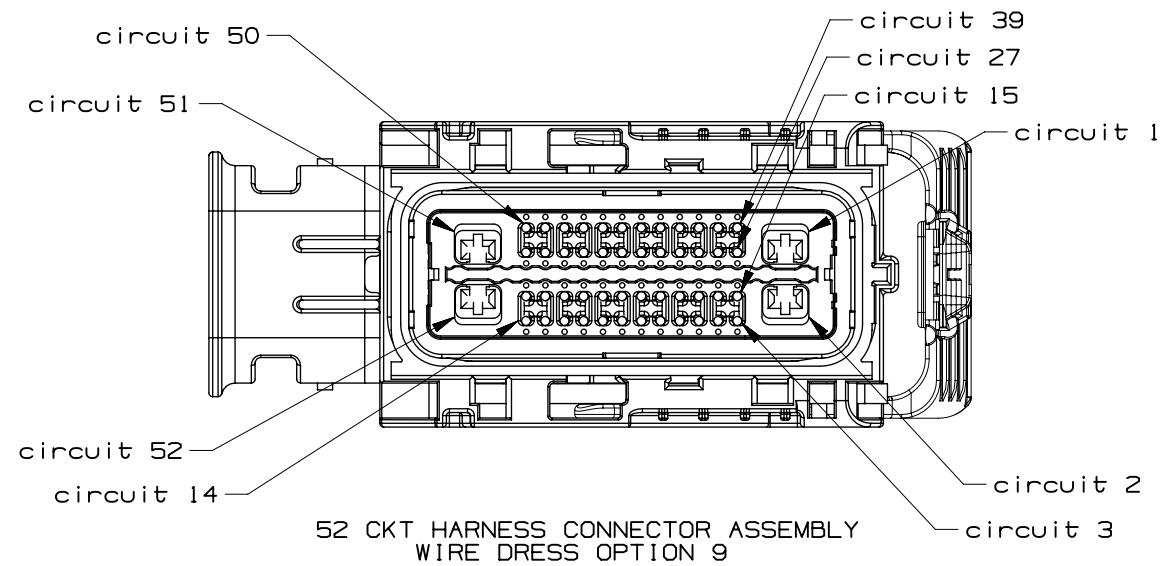
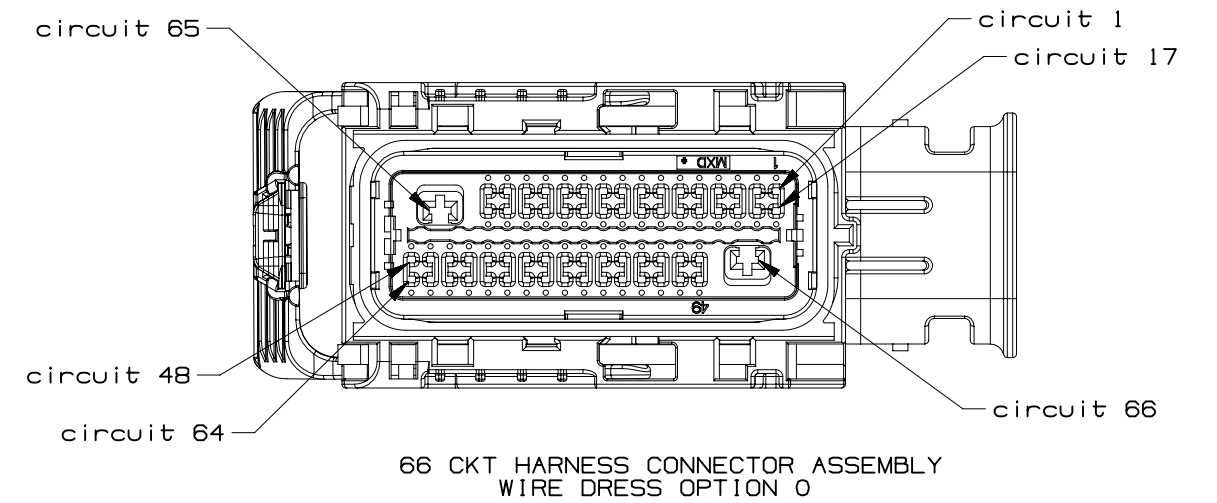
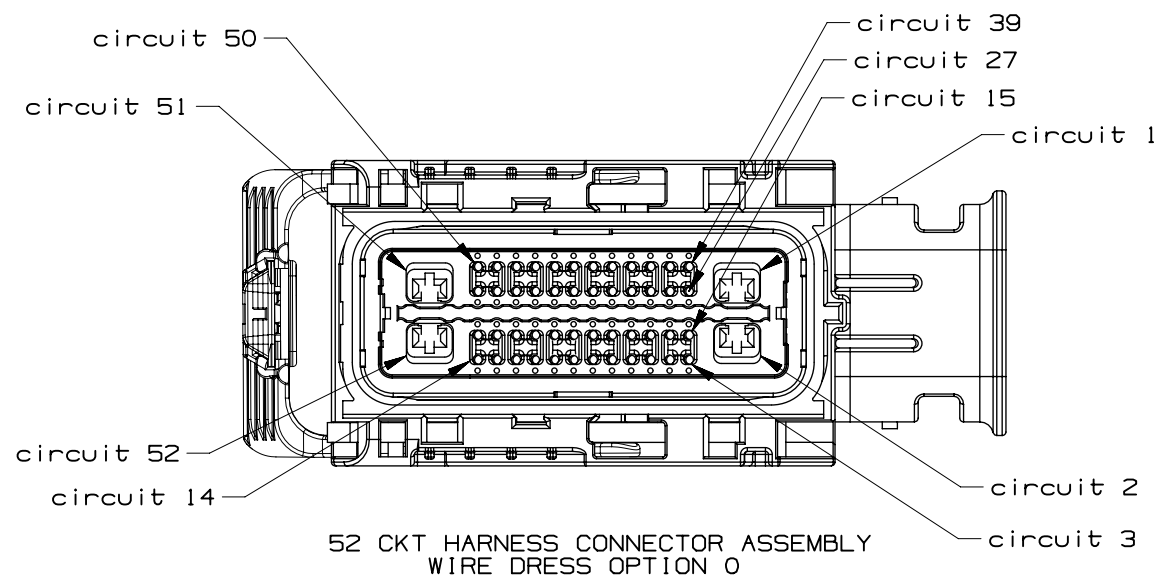
PAGE TITLE  
KEY ID REF - WIRE DRESS OPTION 9

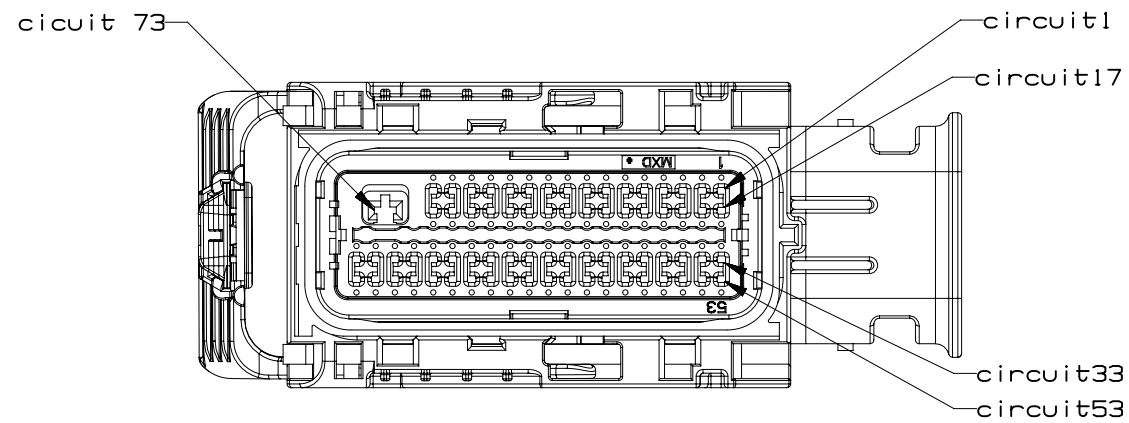
DRAWING NUMBER  
12672833

| DWG STATUS |     |     |
|------------|-----|-----|
| ST         | REV | PD1 |
| R          | 001 |     |

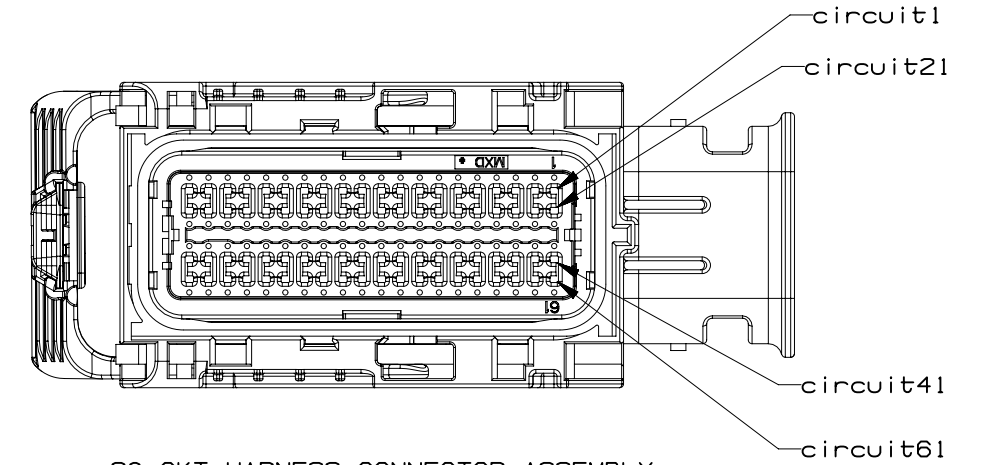
PAGE NUMBER  
12 OF 22





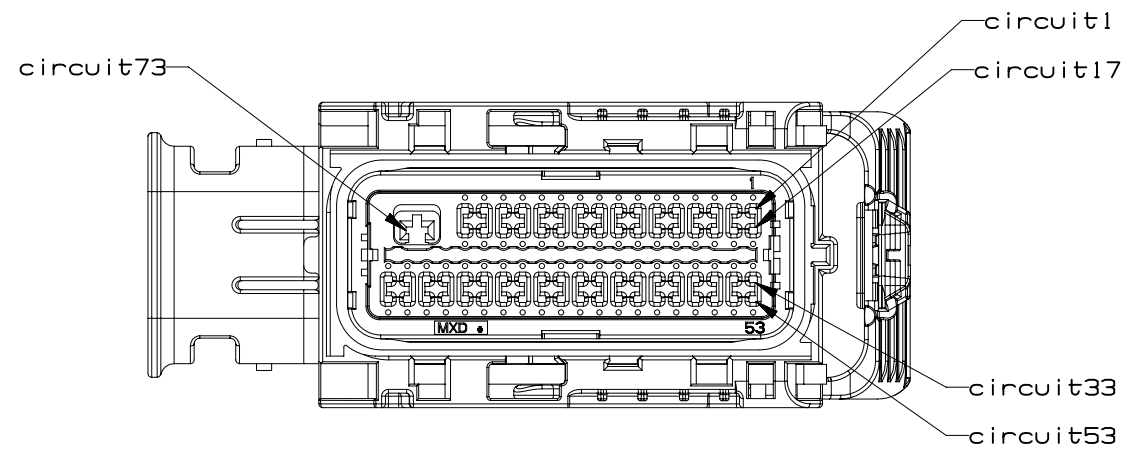


73 CKT HARNESS CONNECTOR ASSEMBLY  
WIRE DRESS OPTION 0

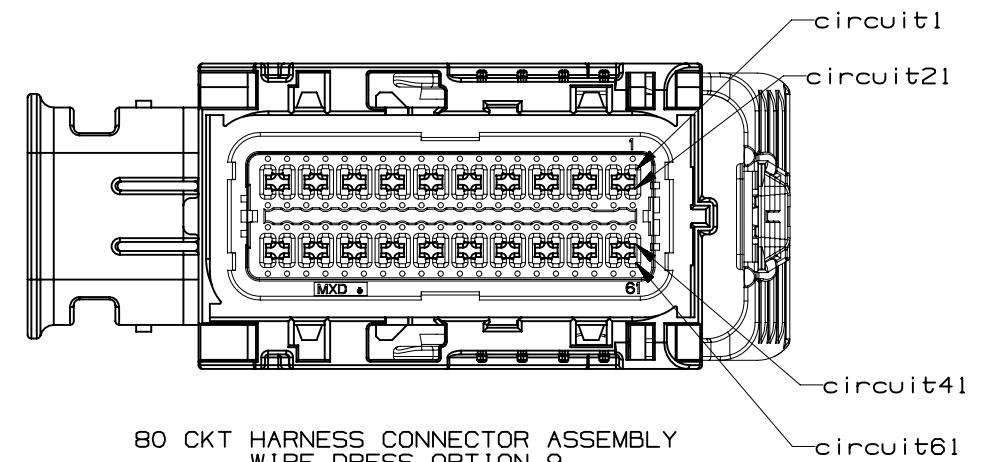


80 CKT HARNESS CONNECTOR ASSEMBLY  
WIRE DRESS OPTION 0

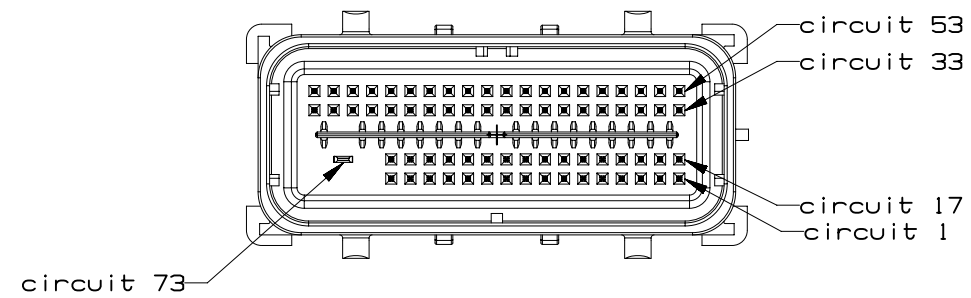
INTERFACE SIDE SHOWN ON ALL VIEWS



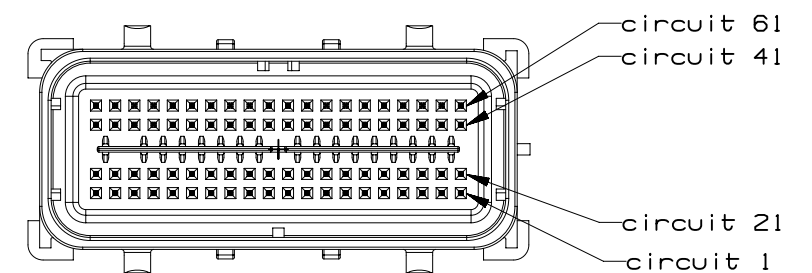
73 CKT HARNESS CONNECTOR ASSEMBLY  
WIRE DRESS OPTION 9



80 CKT HARNESS CONNECTOR ASSEMBLY  
WIRE DRESS OPTION 9

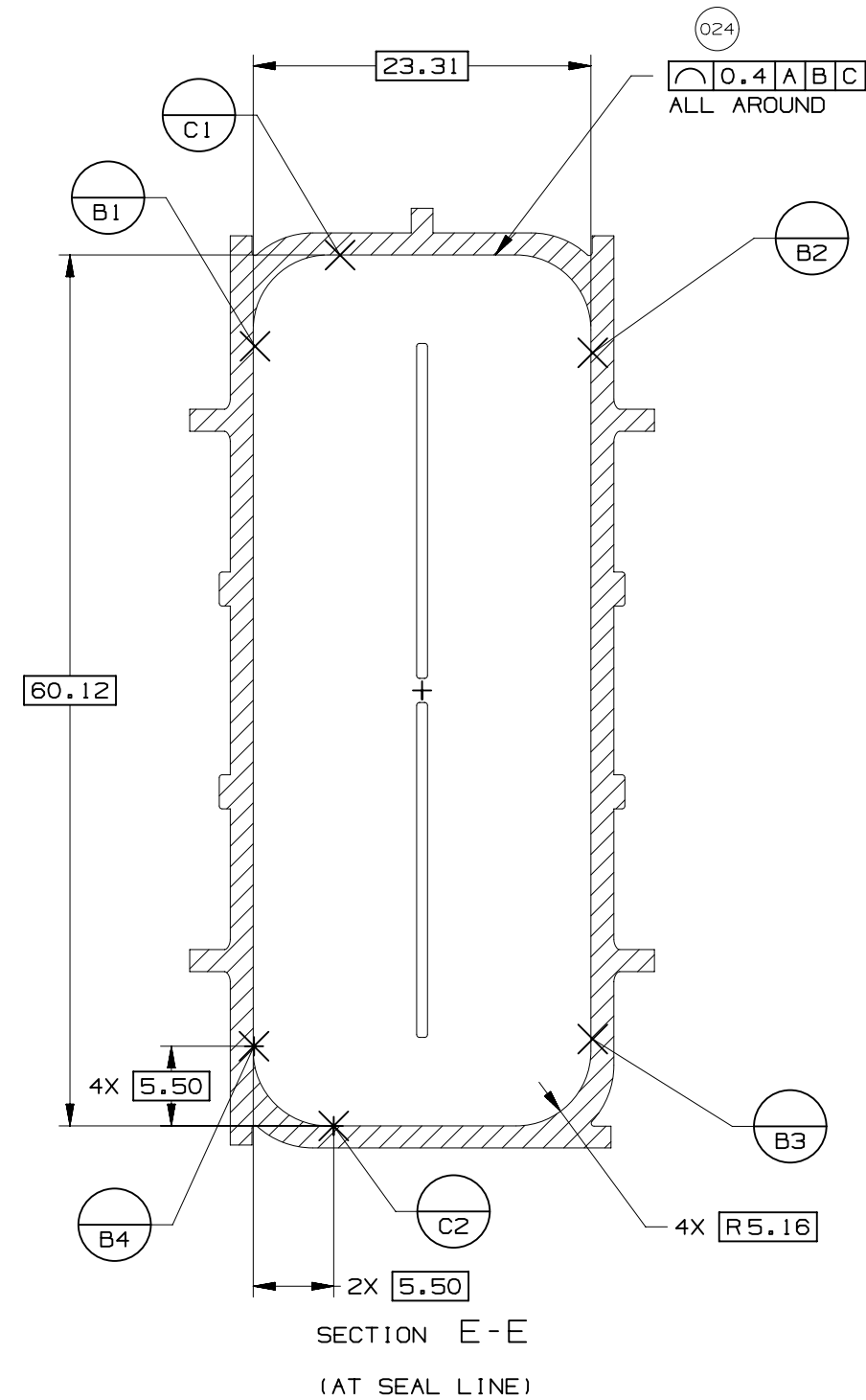
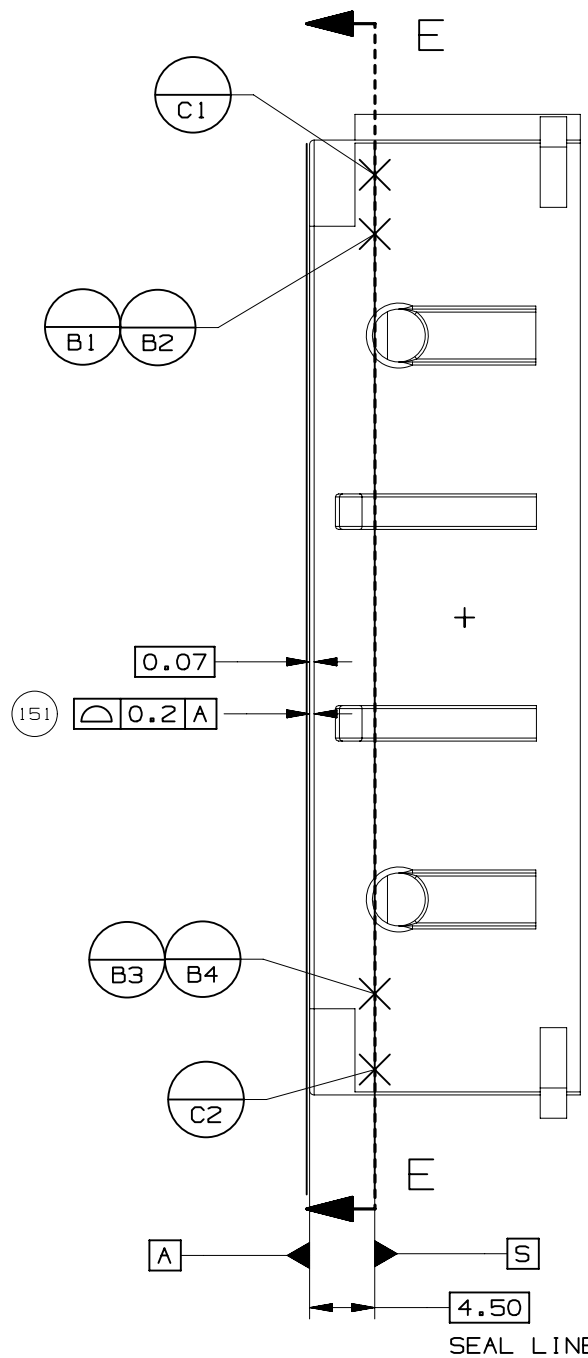
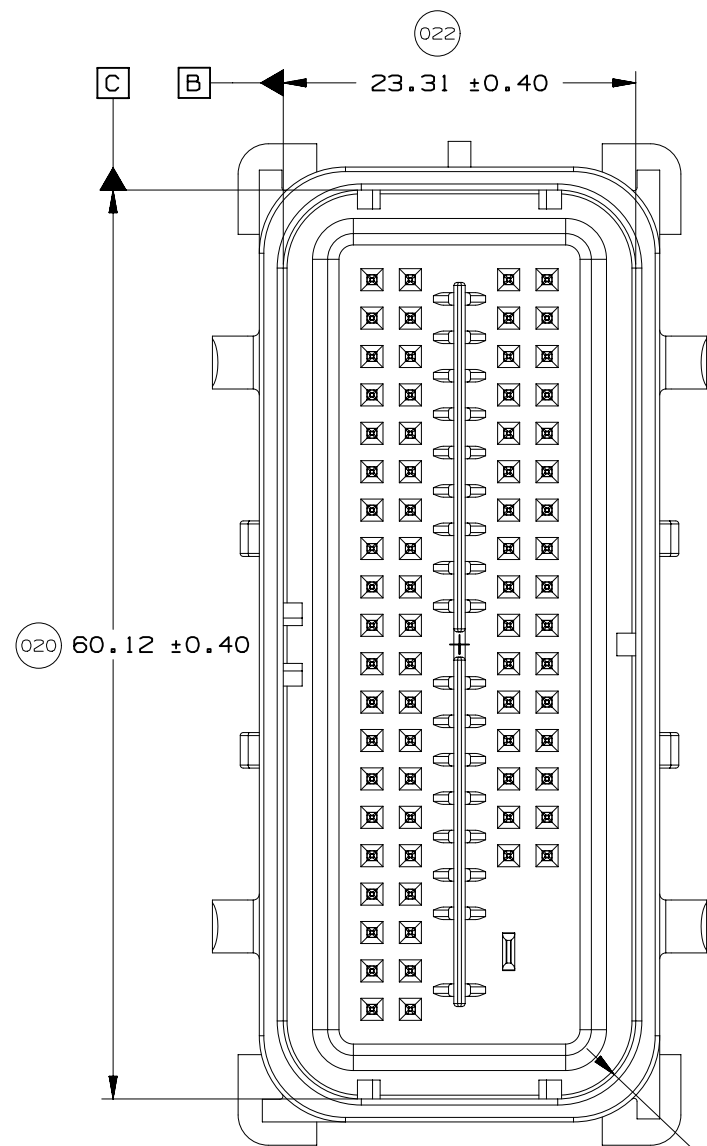
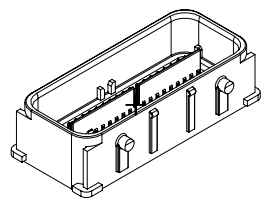


73 CKT COMPONENT CONNECTOR INTERFACE



80 CKT COMPONENT CONNECTOR INTERFACE





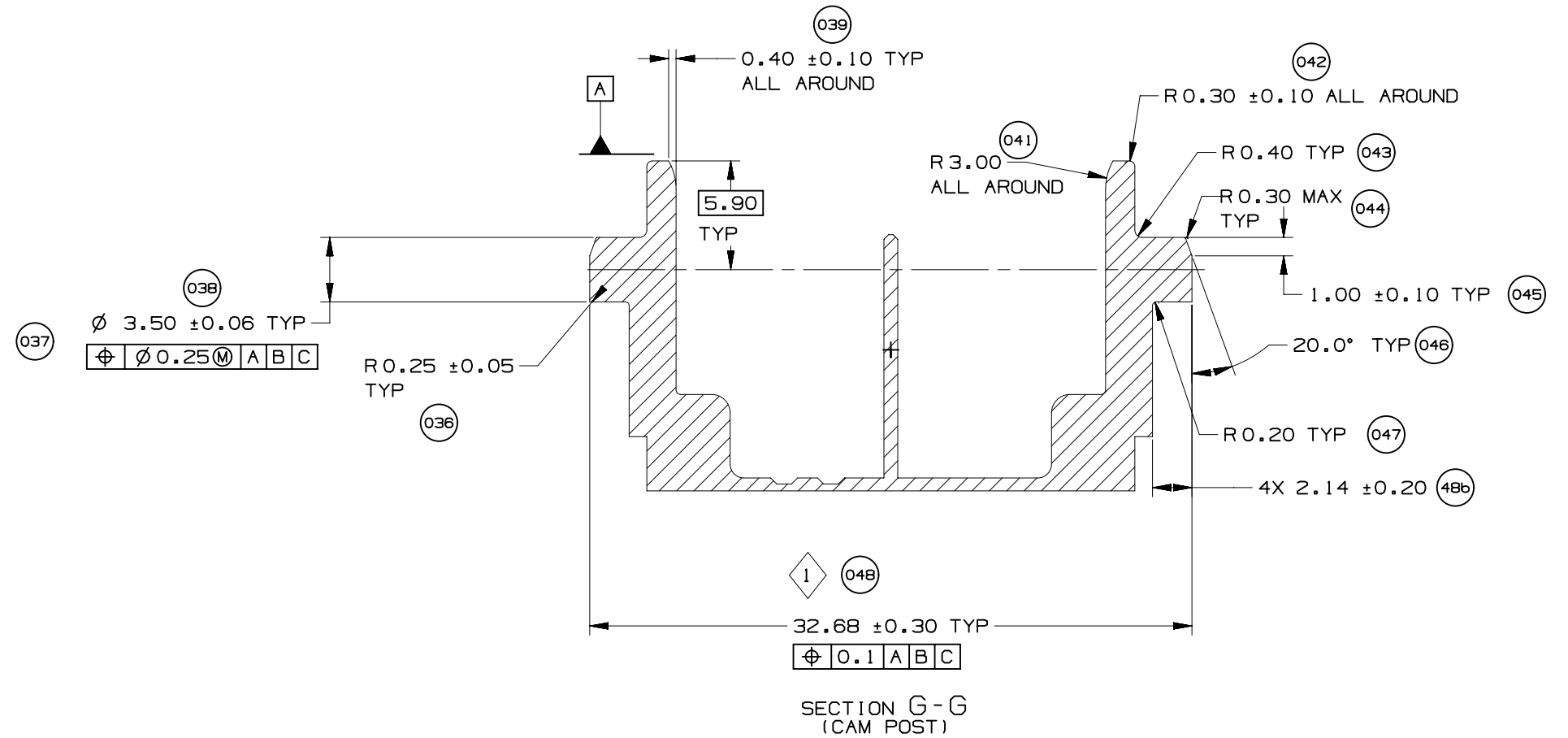
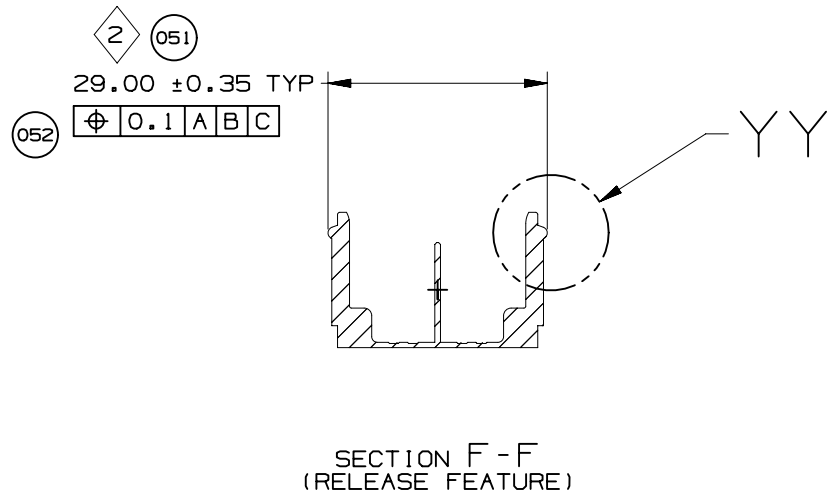
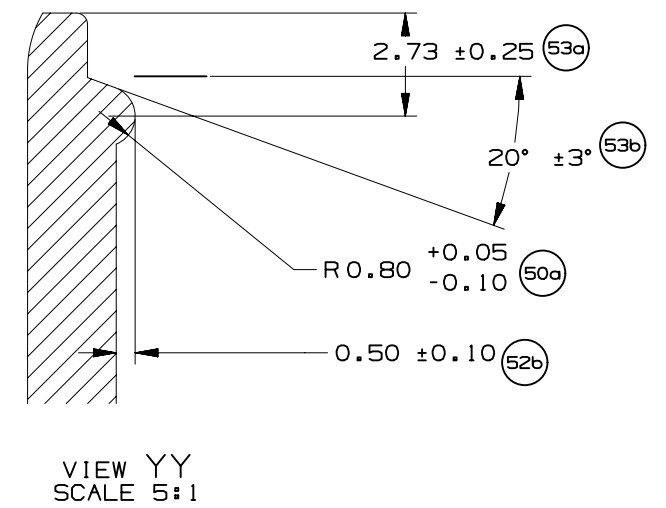
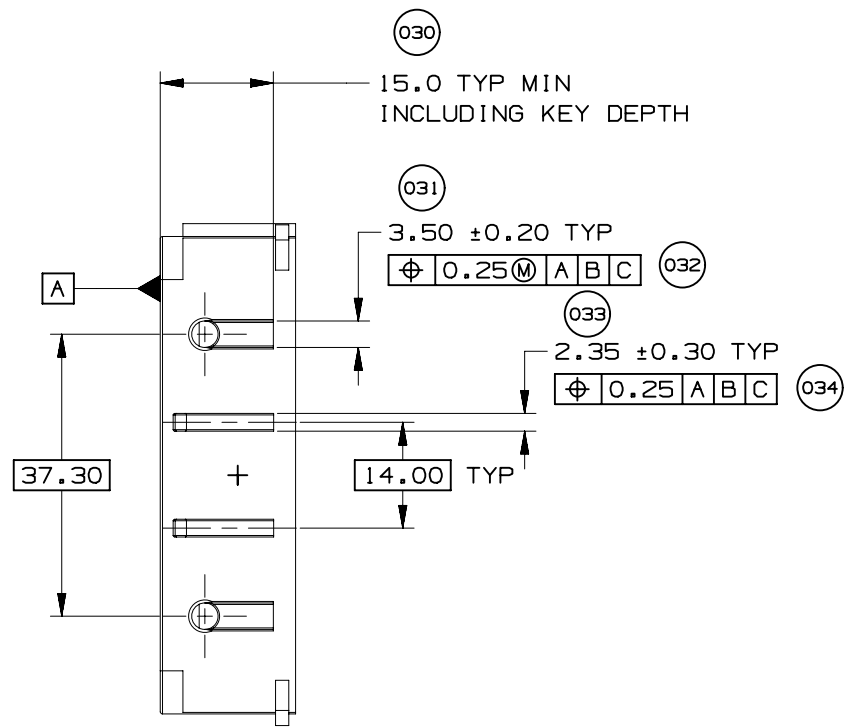
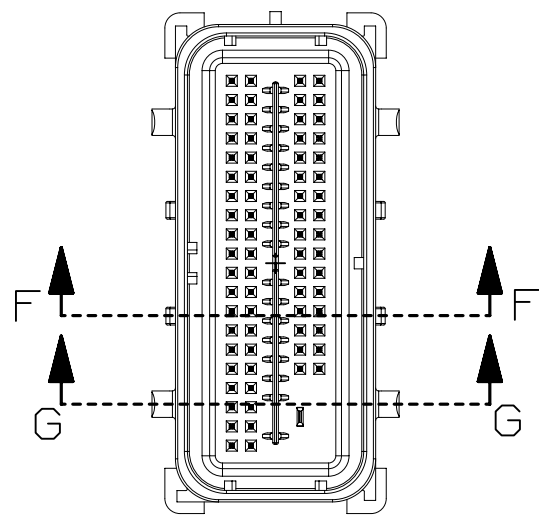
UNLESS SPECIFIED, TOLERANCE OF THE COMPONENT CONNECTOR INTERFACE TO BE  $\nabla 0.13 \text{ A B C}$



PAGE TITLE  
COMPONENT CONNECTOR INTERFACE

DRAWING NUMBER  
12672833

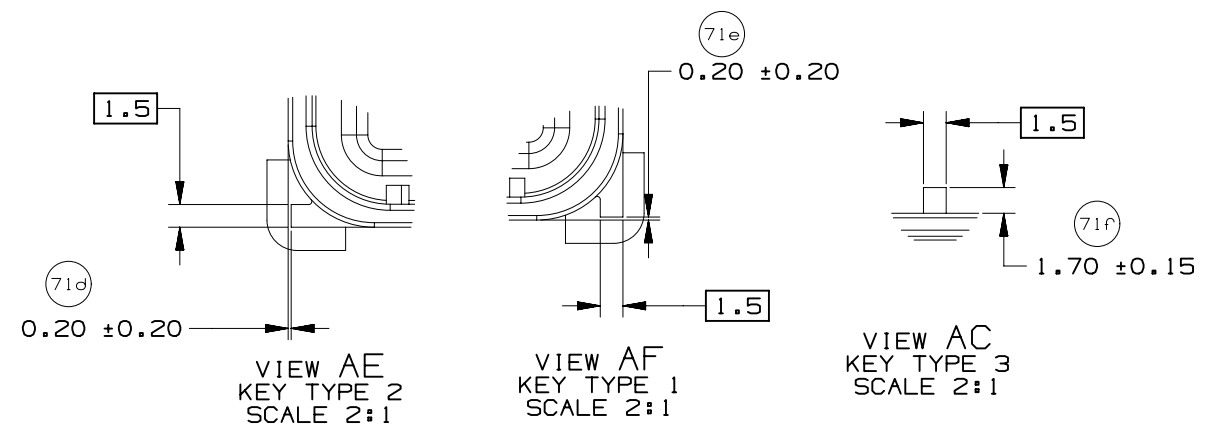
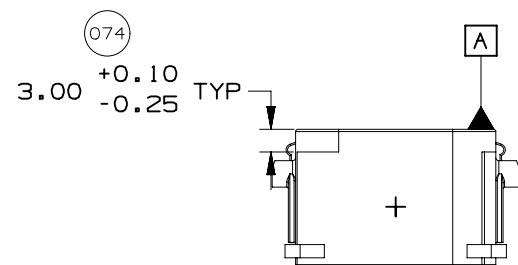
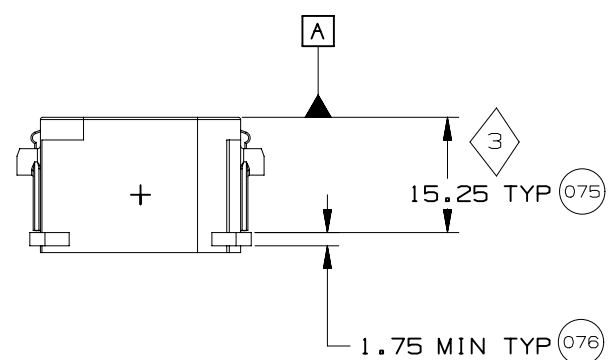
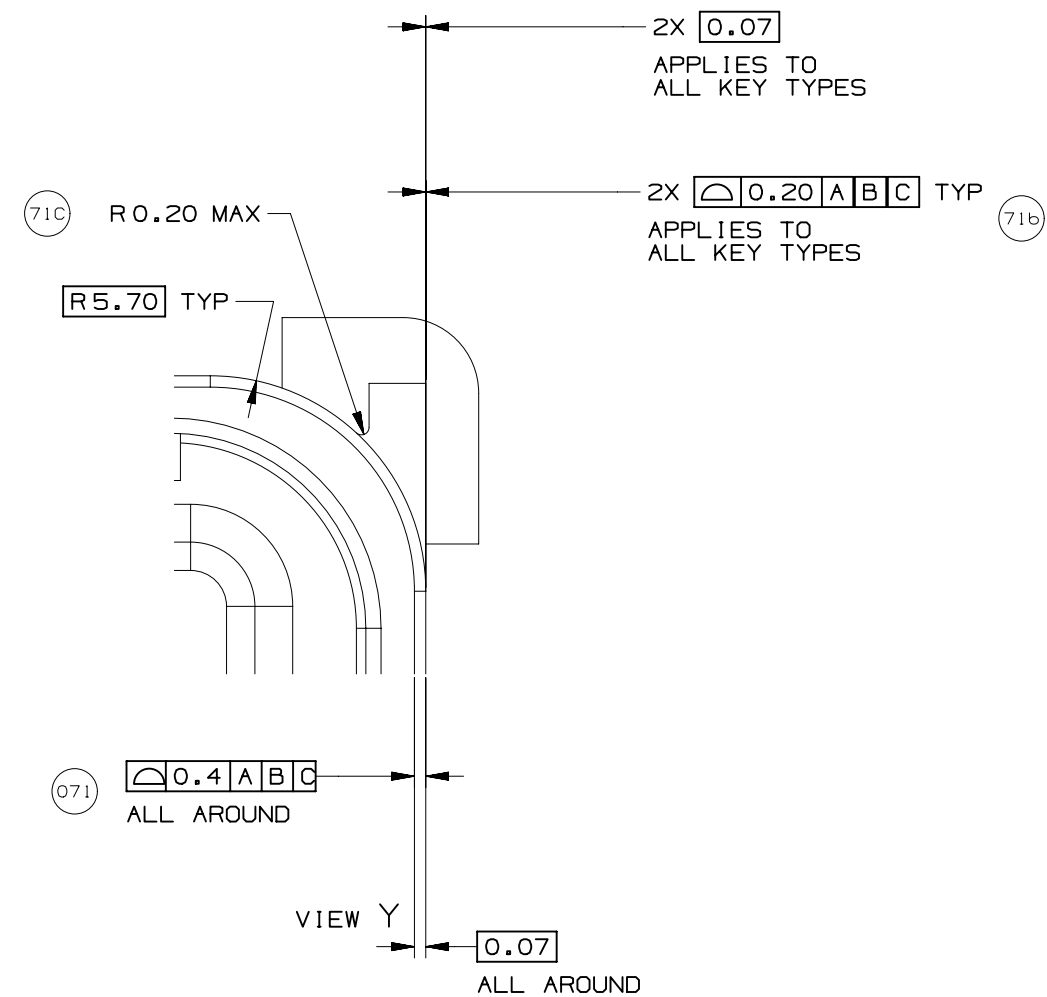
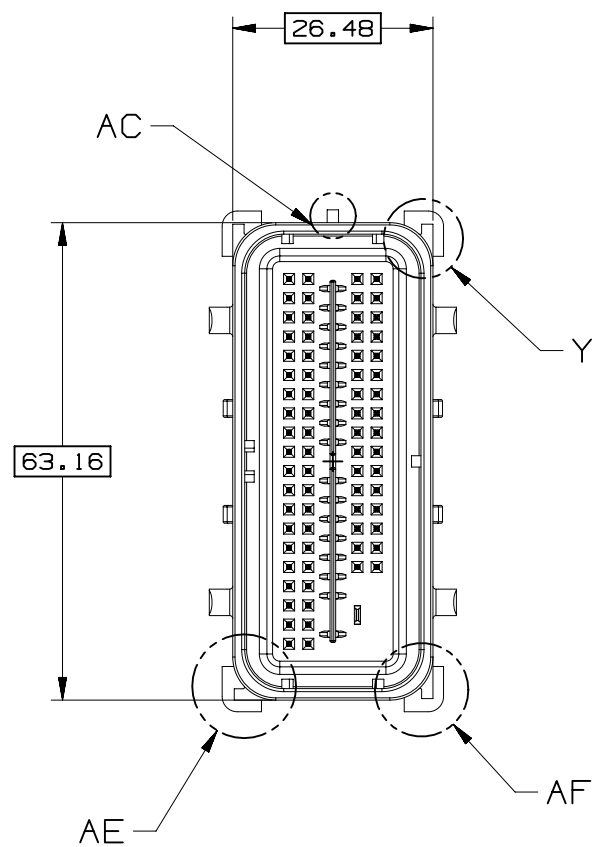
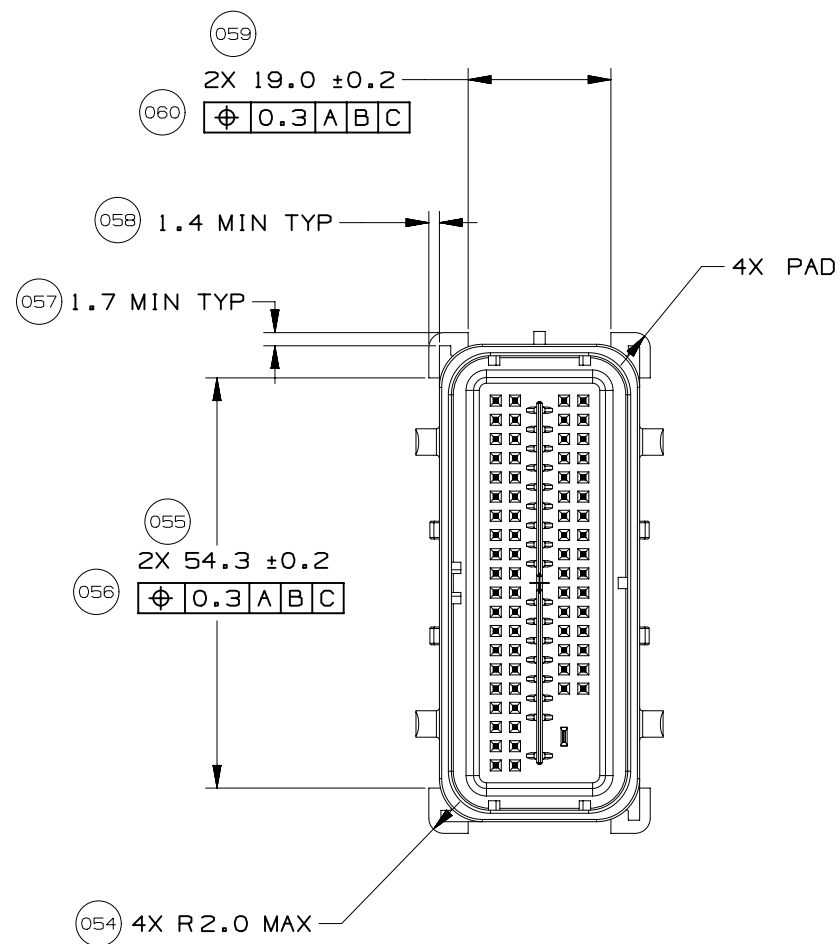
| DWG STATUS |     |     | PAGE NUMBER |
|------------|-----|-----|-------------|
| ST         | REV | PD1 |             |
| R          | 001 |     | 15 OF 22    |



PAGE TITLE  
COMPONENT CONNECTOR INTERFACE

DRAWING NUMBER  
12672833

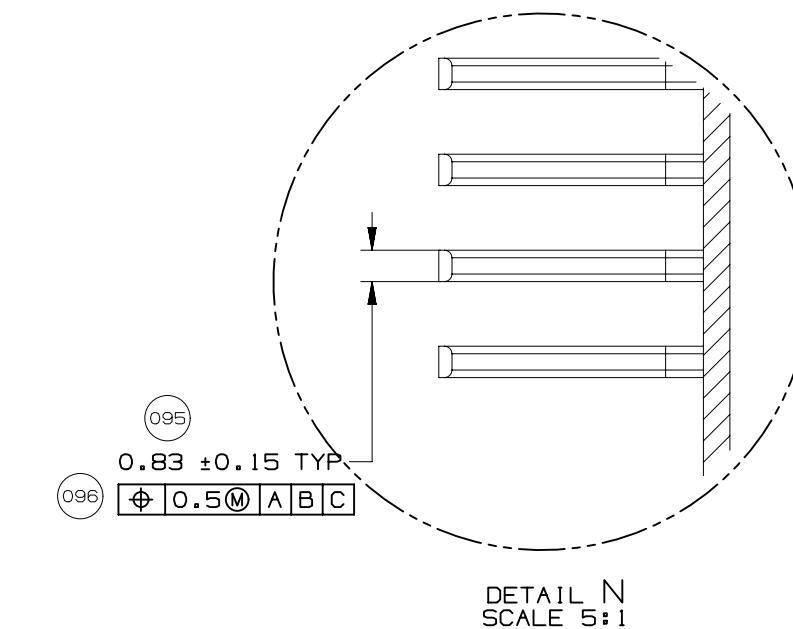
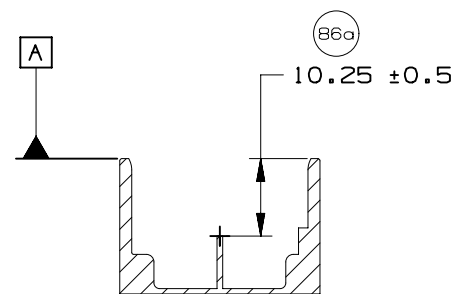
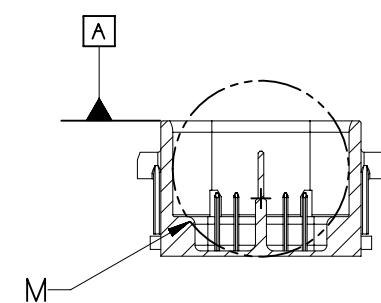
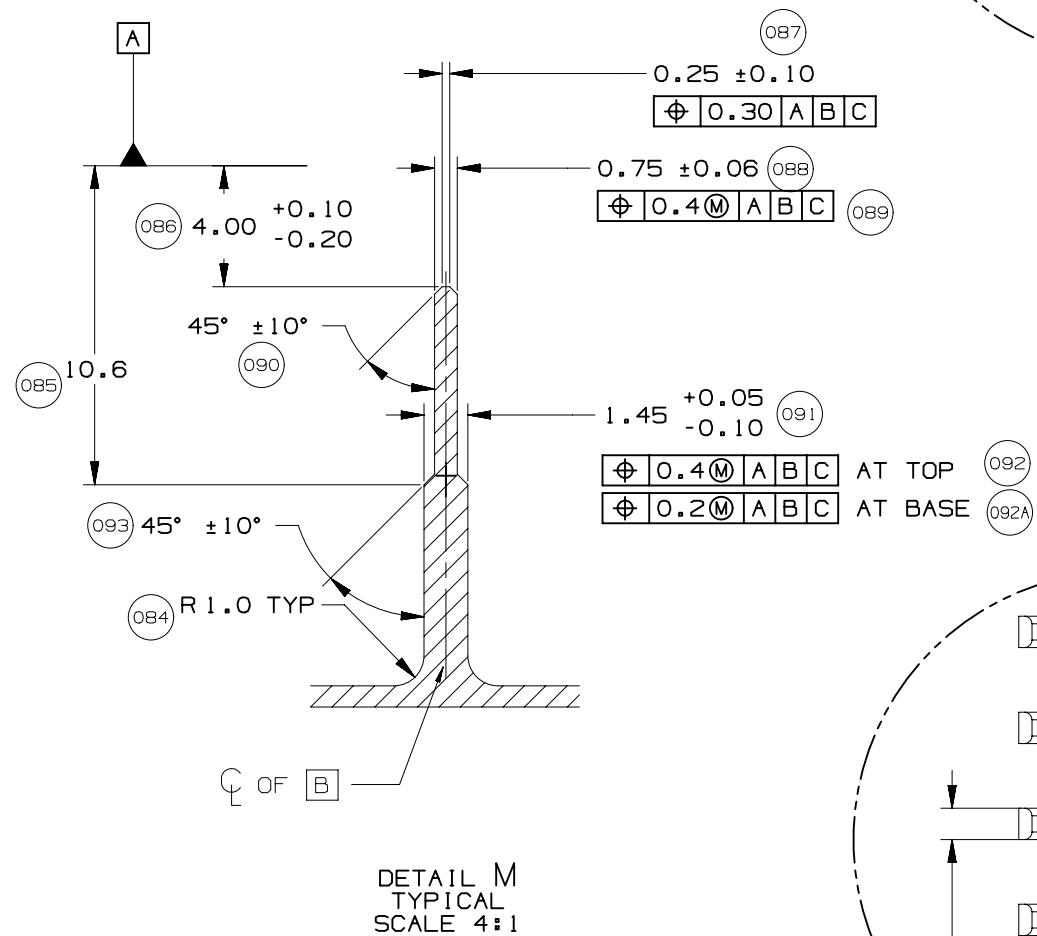
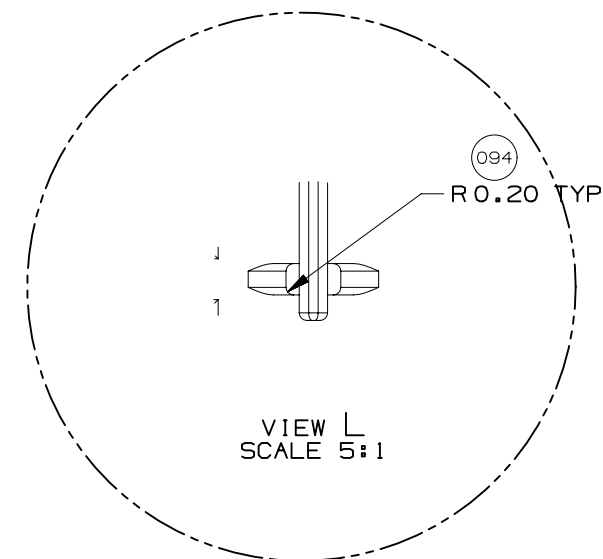
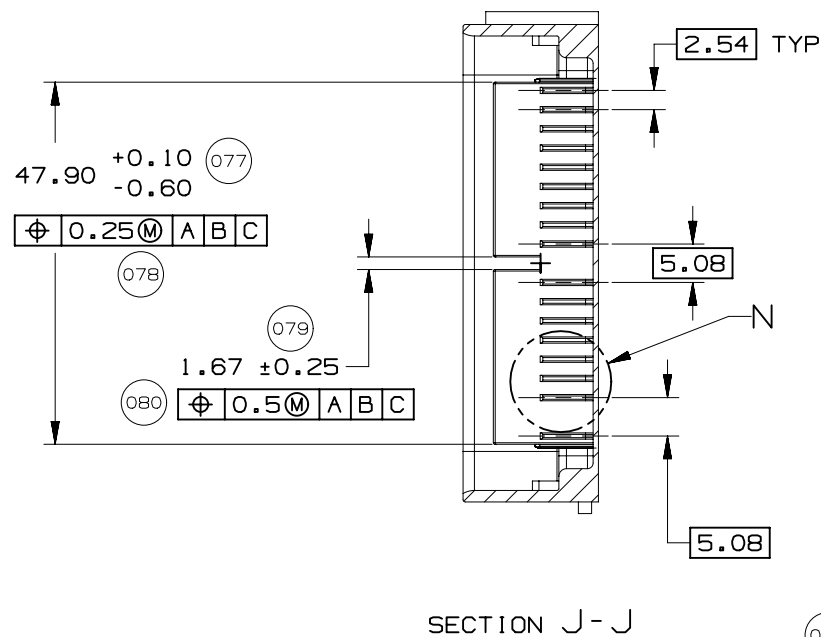
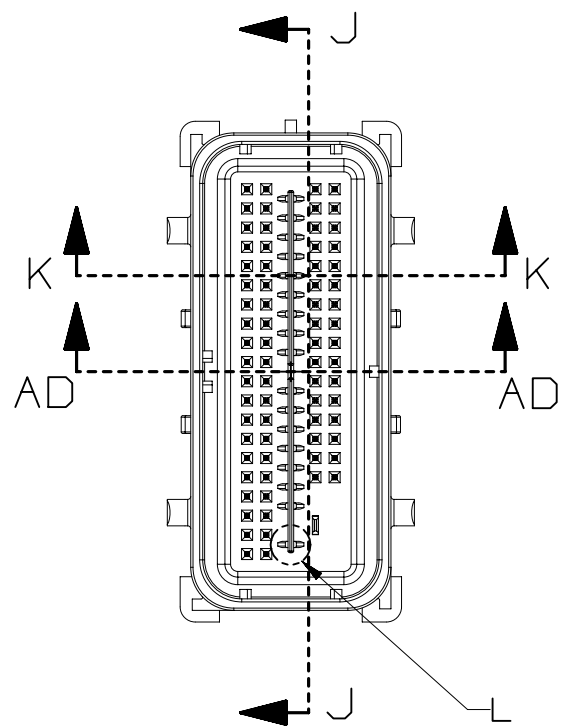
| DWG STATUS |     |     | PAGE NUMBER |
|------------|-----|-----|-------------|
| ST         | REV | PDI |             |
| R          | 001 |     | 16 OF 22    |

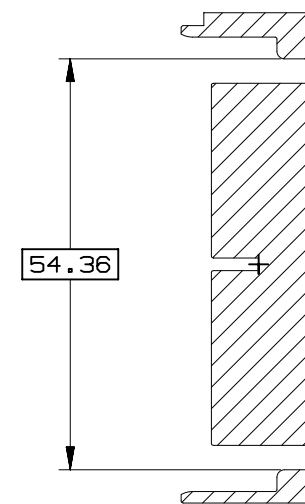
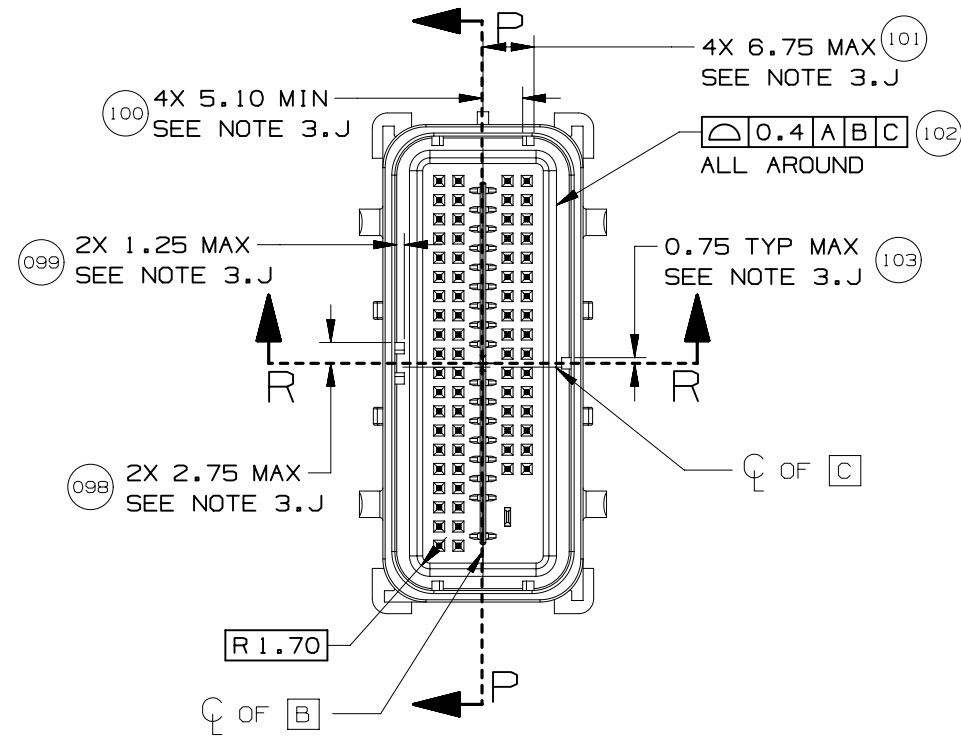


PAGE TITLE  
 COMPONENT CONNECTOR INTERFACE

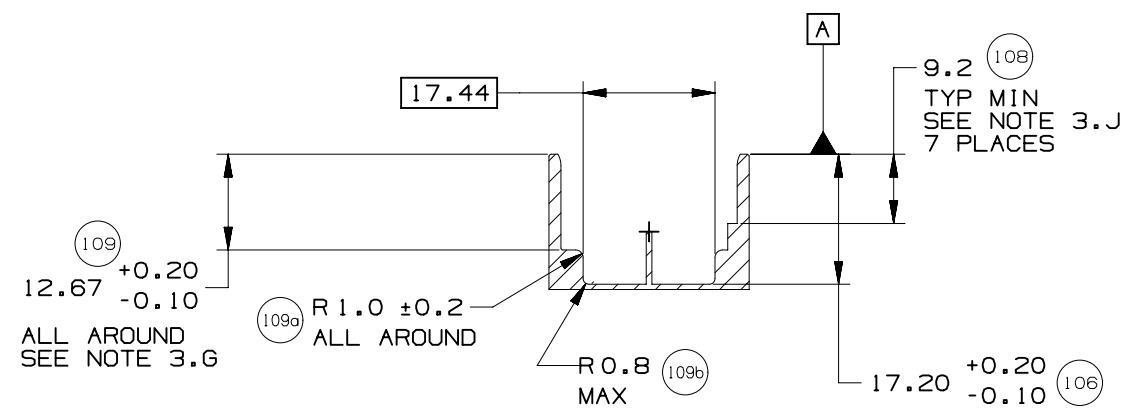
DRAWING NUMBER  
 12672833

| DWG STATUS |     |     | PAGE NUMBER |       |
|------------|-----|-----|-------------|-------|
| ST         | REV | PD1 |             |       |
| R          | 001 |     | 17          | OF 22 |





SECTION P-P



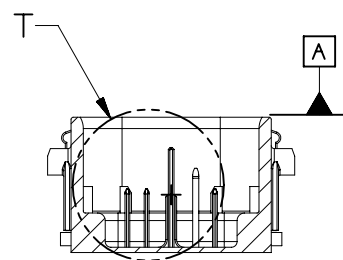
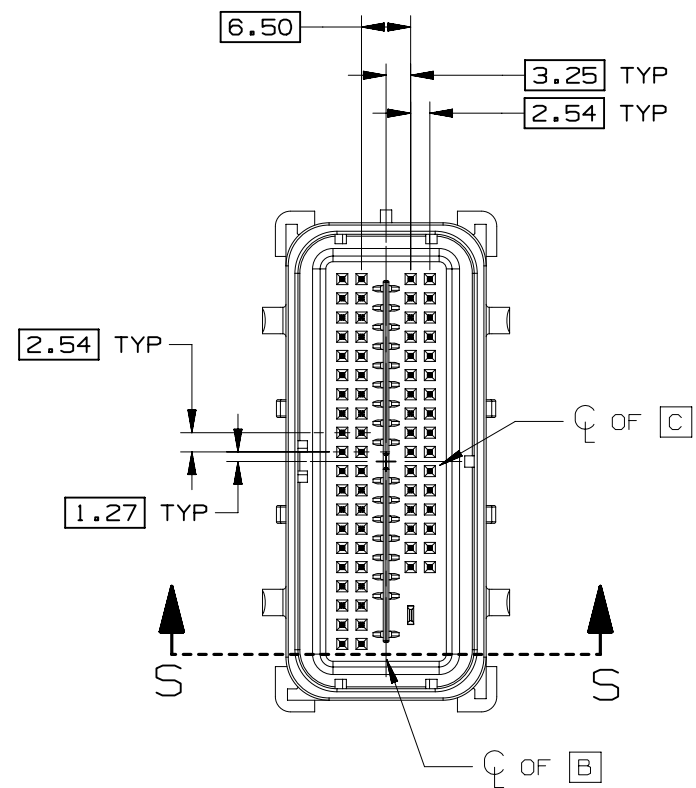
SECTION R-R



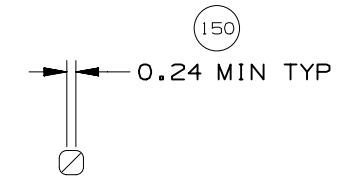
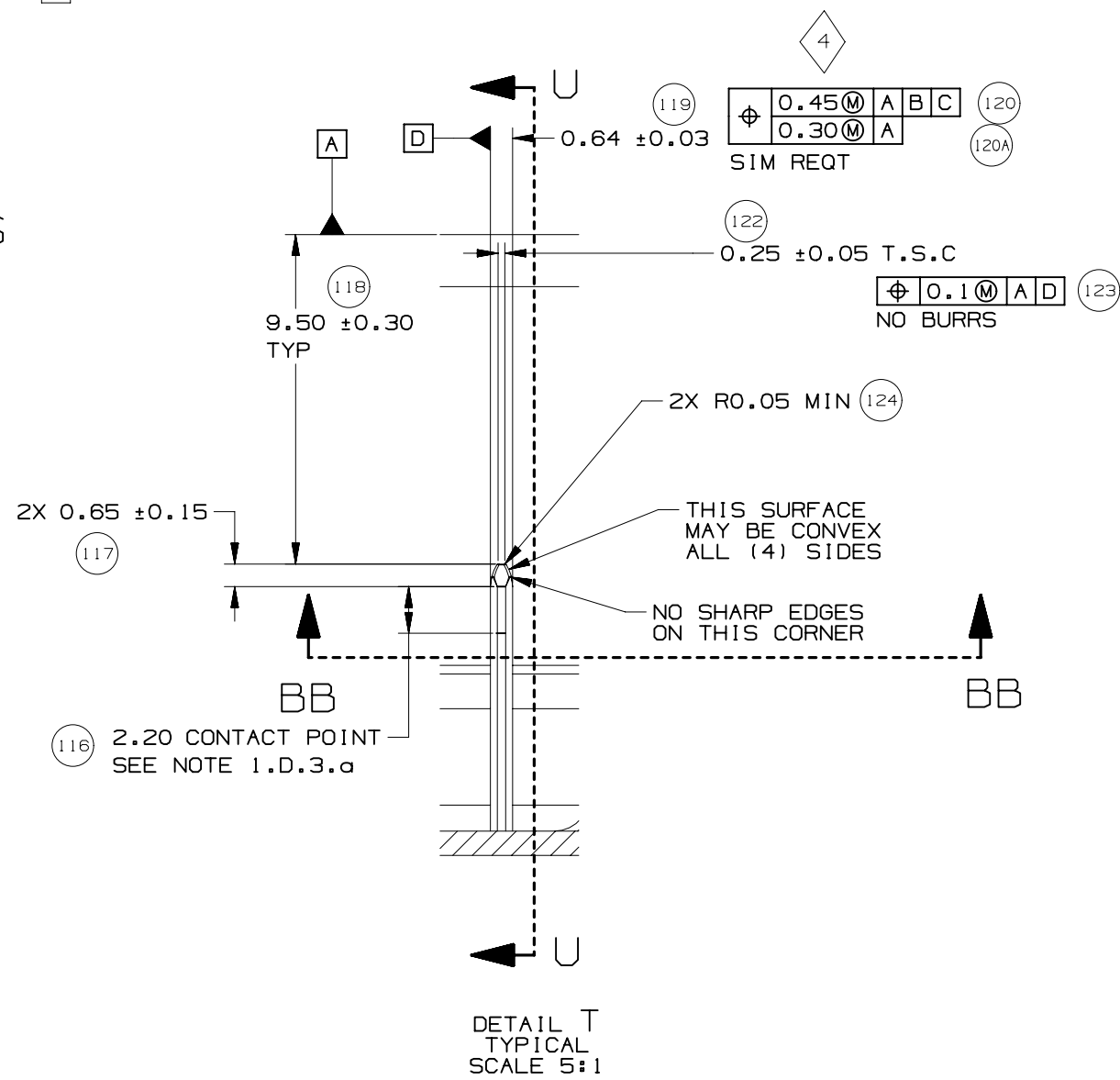
PAGE TITLE  
COMPONENT CONNECTOR INTERFACE

DRAWING NUMBER  
12672833

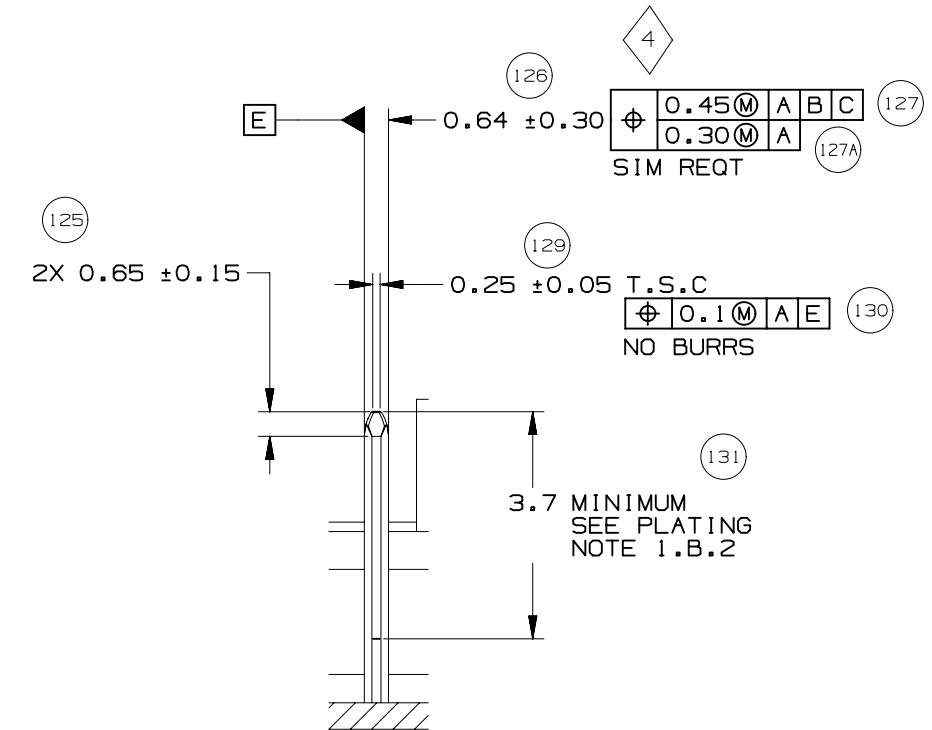
| DWG STATUS |     |     | PAGE NUMBER |       |
|------------|-----|-----|-------------|-------|
| ST         | REV | PD1 | 19          | OF 22 |
| R          | 001 |     |             |       |



SECTION S-S



SECTION BB-BB



SECTION U-U  
TYPICAL

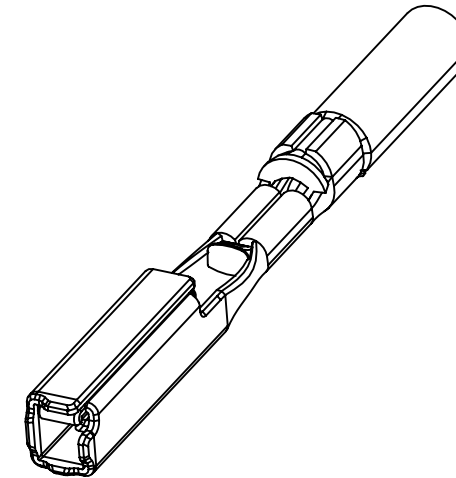
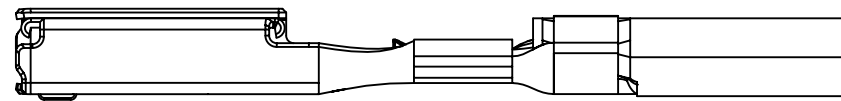
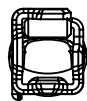






MOLEX MX64 RECEPTACLE TERMINAL INFORMATION

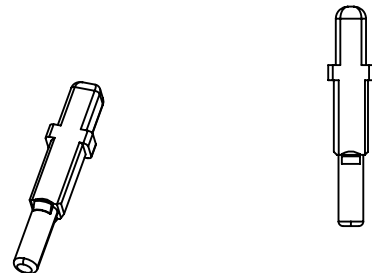
| ITEM | MOLEX P/N  | GM P/N   | WIRE SIZE<br>MM2 | TYPE | PLATING | REEL WIND<br>DIRECTION | COMMENTS |
|------|------------|----------|------------------|------|---------|------------------------|----------|
| 1    | 34736-0025 |          | 0.35             | ISO  | SILVER  | LEFT                   |          |
| 2    | 34736-0026 | 12672850 | 0.35             | ISO  | SILVER  | RIGHT                  |          |
| 3    | 34736-0027 |          | 0.5 / 0.75       | ISO  | SILVER  | LEFT                   |          |
| 4    | 34736-0028 | 12672851 | 0.5 / 0.75       | ISO  | SILVER  | RIGHT                  |          |



CAVITY PLUGS

| ITEM | MFG    | MFG P/N      | GM P/N<br>RD | SIZE | COLOR   | MFG DRAWING  | PROD SPEC      | APP SPEC     | COMMENTS |
|------|--------|--------------|--------------|------|---------|--------------|----------------|--------------|----------|
| 1    | MOLEX  | 34586-0001   | 12674820     | 0.64 | NATURAL | SD-34586-001 | PS-34566-0000  | AS-34566-001 |          |
| 2    | YAZAKI | 7158-3114-90 | 12674821     | 2.8  | BLUE    | 7158-3114-90 | YPES-11-04-062 | YPES-15-299  |          |

ITEM 1



ITEM 2

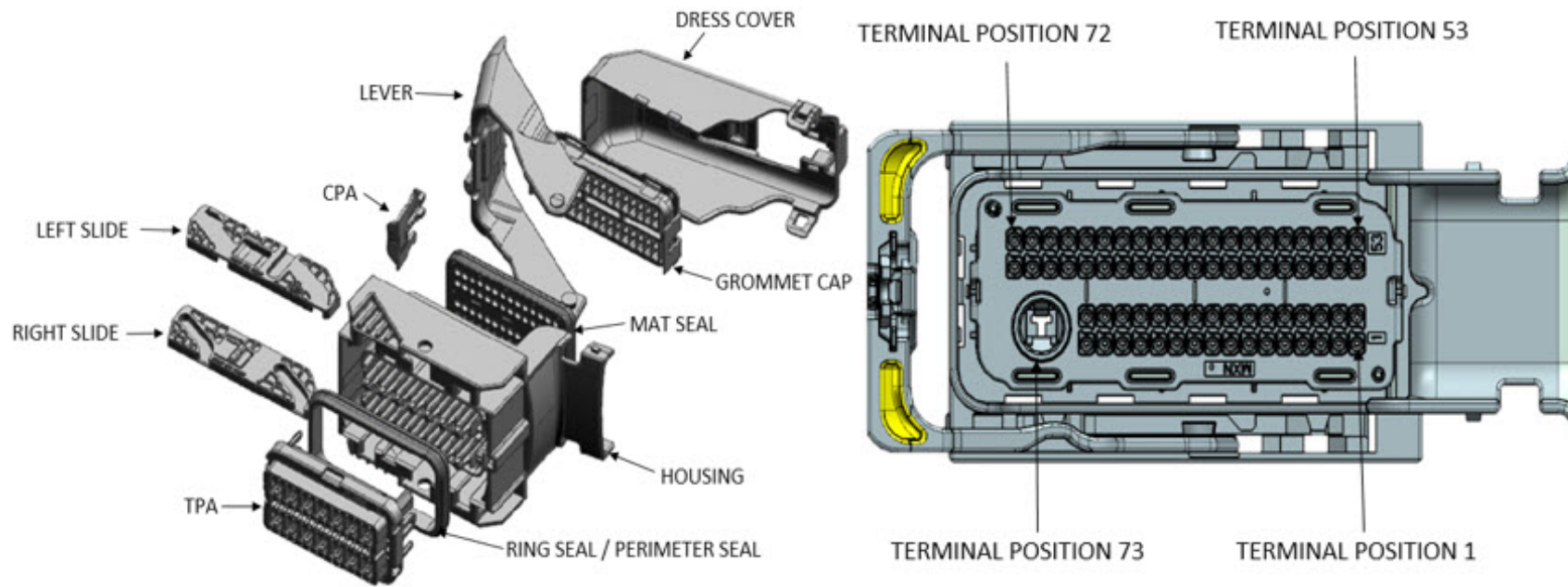


PAGE TITLE  
ADDITIONAL COMPONENTS REQUIRED

DRAWING NUMBER  
12672833

| DWG STATUS |     |     |
|------------|-----|-----|
| ST         | REV | PD1 |
| R          | 001 |     |

PAGE NUMBER  
22 OF 22



| ABBREVIATION | DESCRIPTION                                | COLOR      | MATERIAL                              |
|--------------|--|------------|---------------------------------------|
| G-CAP-0-P    | GROMMET CAP OPTION 0 PLUGGED               | BLACK      | SPS/PA, G.F 30%                       |
| G-CAP-0-O    | GROMMET CAP OPTION 0 ALL OPEN              | BLACK      | SPS/PA, G.F 30%                       |
| G-CAP-9-P    | GROMMET CAP OPTION 9 PLUGGED               | BLACK      | SPS/PA, G.F 30%                       |
| G-CAP-9-O    | GROMMET CAP OPTION 9 ALL OPEN              | BLACK      | SPS/PA, G.F 30%                       |
| C-HSG-A0     | CONNECTOR HOUSING KEY A - WDC OPT 0        | BLACK      | SPS/PA, G.F 30%                       |
| C-HSG-B0     | CONNECTOR HOUSING KEY B - WDC OPT 0        | BLACK      | SPS/PA, G.F 30%                       |
| C-HSG-C0     | CONNECTOR HOUSING KEY C - WDC OPT 0        | BLACK      | SPS/PA, G.F 30%                       |
| C-HSG-D0     | CONNECTOR HOUSING KEY D - WDC OPT 0        | BLACK      | SPS/PA, G.F 30%                       |
| C-HSG-E0     | CONNECTOR HOUSING KEY E - WDC OPT 0        | BLACK      | SPS/PA, G.F 30%                       |
| C-HSG-F0     | CONNECTOR HOUSING KEY F - WDC OPT 0        | BLACK      | SPS/PA, G.F 30%                       |
| C-HSG-A9     | CONNECTOR HOUSING KEY A - WDC OPT 9        | BLACK      | SPS/PA, G.F 30%                       |
| C-HSG-B9     | CONNECTOR HOUSING KEY B - WDC OPT 9        | BLACK      | SPS/PA, G.F 30%                       |
| C-HSG-C9     | CONNECTOR HOUSING KEY C - WDC OPT 9        | BLACK      | SPS/PA, G.F 30%                       |
| C-HSG-D9     | CONNECTOR HOUSING KEY D - WDC OPT 9        | BLACK      | SPS/PA, G.F 30%                       |
| C-HSG-E9     | CONNECTOR HOUSING KEY E - WDC OPT 9        | BLACK      | SPS/PA, G.F 30%                       |
| C-HSG-F9     | CONNECTOR HOUSING KEY F - WDC OPT 9        | BLACK      | SPS/PA, G.F 30%                       |
| TPA-A0       | TERMINAL POSITION ASSURANCE (TPA) OPTION 0 | BLACK      | SPS/PA, G.F 30%                       |
| TPA-B0       | TERMINAL POSITION ASSURANCE (TPA) OPTION 0 | STONE GRAY | SPS/PA, G.F 30%                       |
| TPA-C0       | TERMINAL POSITION ASSURANCE (TPA) OPTION 0 | BLUE       | SPS/PA, G.F 30%                       |
| TPA-D0       | TERMINAL POSITION ASSURANCE (TPA) OPTION 0 | BROWN      | SPS/PA, G.F 30%                       |
| TPA-E0       | TERMINAL POSITION ASSURANCE (TPA) OPTION 0 | GREEN      | SPS/PA, G.F 30%                       |
| TPA-F0       | TERMINAL POSITION ASSURANCE (TPA) OPTION 0 | NATURAL    | SPS/PA, G.F 30%                       |
| TPA-A0-1     | TERMINAL POSITION ASSURANCE (TPA) OPTION 0 | BLACK      | SPS/PA, G.F 30%                       |
| TPA-B0-1     | TERMINAL POSITION ASSURANCE (TPA) OPTION 0 | STONE GRAY | SPS/PA, G.F 30%                       |
| TPA-C0-1     | TERMINAL POSITION ASSURANCE (TPA) OPTION 0 | BLUE       | SPS/PA, G.F 30%                       |
| TPA-A9       | TERMINAL POSITION ASSURANCE (TPA) OPTION 9 | BLACK      | SPS/PA, G.F 30%                       |
| TPA-B9       | TERMINAL POSITION ASSURANCE (TPA) OPTION 9 | STONE GRAY | SPS/PA, G.F 30%                       |
| TPA-C9       | TERMINAL POSITION ASSURANCE (TPA) OPTION 9 | BLUE       | SPS/PA, G.F 30%                       |
| TPA-D9       | TERMINAL POSITION ASSURANCE (TPA) OPTION 9 | BROWN      | SPS/PA, G.F 30%                       |
| TPA-E9       | TERMINAL POSITION ASSURANCE (TPA) OPTION 9 | GREEN      | SPS/PA, G.F 30%                       |
| TPA-F9       | TERMINAL POSITION ASSURANCE (TPA) OPTION 9 | NATURAL    | SPS/PA, G.F 30%                       |
| MAL          | MATE ASSIST LEVER                          | BLACK      | SPS/NYLON GF30                        |
| RS           | SLIDE - RIGHT                              | BLACK      | PBT W/PTFE, G.F. 30%                  |
| LS           | SLIDE - LEFT                               | BLACK      | PBT W/PTFE, G.F. 30%                  |
| CVRBLACK     | DRESS COVER BLACK                          | BLACK      | PBT, G.F. 30%                         |
| CVRGRAY      | DRESS COVER GRAY                           | GRAY       | PBT, G.F. 30%                         |
| CVRBLUE      | DRESS COVER BLUE                           | BLUE       | PBT, G.F. 30%                         |
| CVRBROWN     | DRESS COVER BROWN                          | BROWN      | PBT, G.F. 30%                         |
| CVRGREEN     | DRESS COVER GREEN                          | GREEN      | PBT, G.F. 30%                         |
| CVRNATURAL   | DRESS COVER NATURAL                        | NATURAL    | PBT, G.F. 30%                         |
| CVRYELLOW    | DRESS COVER YELLOW                         | YELLOW     | PBT, G.F. 30%                         |
| CPA          | CONNECTOR POSITION ASSURANCE (CPA)         | RED        | PPE/PA 10% GF                         |
| MSEAL        | MAT SEAL                                   | RUST RED   | INHERENTLY LUBRICATED SILICONE RUBBER |
| RSEAL        | RING SEAL                                  | RUST RED   | INHERENTLY LUBRICATED SILICONE RUBBER |

FOR ADDITIONAL INFORMATION SEE SD-34566-001

| ASSEMBLY DESCRIPTION                     | ASSEMBLY PART NUMBER | CONNECTOR HOUSING | GROMMET CAP | TPA    | RIGHT SLIDE | LEFT SLIDE | MATE ASSIST LEVER | CPA | MAT SEAL | RING SEAL | BLOCKED TERMINALS  |   |    |    |    |    |    |    |    |    |    |   |    |    |    |    | STATUS | COMMENTS | INTEGRAL COMPONENTS SOLD SEPARATELY |   |   |   |   |   |   |   |   |   |    |   |
|--|----------------------|-------------------|-------------|--------|-------------|------------|-------------------|-----|----------|-----------|--|---|----|----|----|----|----|----|----|----|----|---|----|----|----|----|--------|----------|-------------------------------------|---|---|---|---|---|---|---|---|---|----|---|
|  |                      |                   |             |        |             |            |                   |     |          |           | CAVITY WITH A NUMBER INDICATES BLOCKED TERMINAL POSITION<br>CAVITY WITHOUT A NUMBER INDICATES OPEN TERMINAL POSITION |   |    |    |    |    |    |    |    |    |    |   |    |    |    |    |        |          |                                     |   |   |   |   |   |   |   |   |   |    |   |
|  |                      |                   |             |        |             |            |                   |     |          |           | DRESS COVER  |   |    |    |    |    |    |    |    |    |    |   |    |    |    |    |        |          |                                     |   |   |   |   |   |   |   |   |   |    |   |
| MX123 CONN ASSY 73 CKT BLK OPT0 KEY A/54 | 345660004            | C-HSG-A0          | G-CAP-0-P   | TPA-A0 | RS          | LS         | MAL               | CPA | MSEAL    | RSEAL     | -  | - | -  | -  | 68 | -  | 66 | 65 | -  | -  | 62 | - | -  | -  | 58 | -  | -      | -        | -                                   | - |   |   |   |   |   |   |   |   |    |   |
|  |                      |                   |             |        |             |            |                   |     |          |           | -  | - | 50 | 49 | -  | 47 | 46 | -  | -  | 42 | -  | - | -  | -  | -  | -  | -      | -        | -                                   | - | - | - | - | - | - | - | - | - |    |   |
|  |                      |                   |             |        |             |            |                   |     |          |           | -  | - | -  | -  | -  | -  | -  | -  | 28 | -  | -  | - | 24 | 23 | -  | 21 | 20     | -        | -                                   | - | - | - | - | - | - | - | - | - | -  |   |
|  |                      |                   |             |        |             |            |                   |     |          |           | -  | - | -  | -  | -  | -  | -  | -  | -  | -  | -  | - | -  | -  | -  | -  | 4      | 3        | -                                   | - | - | - | - | - | - | - | - | - | -  |   |
| MX123 CONN ASSY 73 CKT BLK OPT0 KEY A/52 | 345660044            | C-HSG-A0          | G-CAP-0-P   | TPA-A0 | RS          | LS         | MAL               | CPA | MSEAL    | RSEAL     | -  | - | -  | -  | 68 | -  | 66 | 65 | -  | 63 | 62 | - | -  | -  | 58 | -  | -      | -        | -                                   | - |   |   |   |   |   |   |   |   |    |   |
|  |                      |                   |             |        |             |            |                   |     |          |           | -  | - | 50 | 49 | -  | 47 | 46 | -  | -  | 42 | -  | - | -  | -  | -  | -  | -      | -        | -                                   | - | - | - | - | - | - | - | - |   |    |   |
|  |                      |                   |             |        |             |            |                   |     |          |           | -  | - | -  | -  | -  | -  | -  | -  | 28 | -  | -  | - | 24 | 23 | -  | 21 | 20     | -        | -                                   | - | - | - | - | - | - | - | - | - | -  |   |
|  |                      |                   |             |        |             |            |                   |     |          |           | -  | - | -  | -  | -  | -  | -  | -  | -  | -  | -  | - | -  | -  | -  | -  | -      | -        | -                                   | - | - | - | - | - | - | - | - | - | -  | - |
| MX123 CONN ASSY 73 CKT BLK OPT0 KEY A/53 | 345660064            | C-HSG-A0          | G-CAP-0-P   | TPA-A0 | RS          | LS         | MAL               | CPA | MSEAL    | RSEAL     | -  | - | -  | -  | 68 | -  | 66 | 65 | -  | -  | 62 | - | -  | -  | 58 | -  | -      | -        | -                                   | - |   |   |   |   |   |   |   |   |    |   |
|  |                      |                   |             |        |             |            |                   |     |          |           | -  | - | 50 | 49 | -  | 47 | 46 | -  | -  | 42 | -  | - | -  | -  | -  | -  | -      | -        | -                                   | - | - | - | - | - | - | - | - | - | 33 |   |
|  |                      |                   |             |        |             |            |                   |     |          |           | -  | - | -  | -  | -  | -  | -  | -  | 28 | -  | -  | - | 24 | 23 | -  | 21 | 20     | -        | -                                   | - | - | - | - | - | - | - | - | - | -  | - |
|  |                      |                   |             |        |             |            |                   |     |          |           | -  | - | -  | -  | -  | -  | -  | -  | -  | -  | -  | - | -  | -  | -  | -  | -      | -        | -                                   | - | - | - | - | - | - | - | - | - | -  | - |

| ASSEMBLY DESCRIPTION                     | ASSEMBLY PART NUMBER | CONNECTOR HOUSING | GROMMET CAP | TPA    | RIGHT SLIDE | LEFT SLIDE | MATE ASSIST LEVER | CPA | MAT SEAL | RING SEAL | BLOCKED TERMINALS  |    |    |    |    |    |    |    |    |    |    |    |    |    |    |    |    |    | STATUS | COMMENTS | INTEGRAL COMPONENTS SOLD SEPARATELY |   |   |   |   |
|--|----------------------|-------------------|-------------|--------|-------------|------------|-------------------|-----|----------|-----------|--|----|----|----|----|----|----|----|----|----|----|----|----|----|----|----|----|----|--------|----------|-------------------------------------|---|---|---|---|
|  |                      |                   |             |        |             |            |                   |     |          |           | CAVITY WITH A NUMBER INDICATES BLOCKED TERMINAL POSITION<br>CAVITY WITHOUT A NUMBER INDICATES OPEN TERMINAL POSITION |    |    |    |    |    |    |    |    |    |    |    |    |    |    |    |    |    |        |          | DRESS COVER                         |   |   |   |   |
|  |                      |                   |             |        |             |            |                   |     |          |           |  |    |    |    |    |    |    |    |    |    |    |    |    |    |    |    |    |    |        |          |                                     |   |   |   |   |
| MX123 CONN ASSY 73 CKT BLK OPT0 KEY A/48 | 345660084            | C-HSG-A0          | G-CAP-0-P   | TPA-A0 | RS          | LS         | MAL               | CPA | MSEAL    | RSEAL     | 72   | 71 | -  | -  | 68 | -  | 66 | 65 | -  | 63 | 62 | -  | -  | -  | 58 | -  | -  | -  | -      | -        |                                     |   |   |   |   |
|  |                      |                   |             |        |             |            |                   |     |          |           | -  | -  | 50 | 49 | -  | 47 | 46 | -  | -  | 43 | 42 | -  | -  | -  | -  | -  | -  | -  | -      | -        | -                                   | - | - | - | - |
|  |                      |                   |             |        |             |            |                   |     |          |           |  |    |    |    | 32 | -  | -  | -  | 28 | -  | -  | -  | 24 | 23 | -  | 21 | 20 | -  | 18     | 17       | -                                   | - | - | - | - |
| MX123 CONN ASSY 73 CKT GRY OPT0 KEY B/61 | 345660094            | C-HSG-B0          | G-CAP-0-P   | TPA-B0 | RS          | LS         | MAL               | CPA | MSEAL    | RSEAL     | -  | -  | -  | -  | -  | -  | 66 | -  | -  | -  | -  | -  | -  | -  | 58 | -  | -  | -  | -      | -        |                                     |   |   |   |   |
|  |                      |                   |             |        |             |            |                   |     |          |           | -  | -  | -  | -  | -  | -  | -  | -  | -  | -  | -  | 41 | -  | -  | 38 | 37 | -  | -  | -      | -        | -                                   | - | - | - | - |
|  |                      |                   |             |        |             |            |                   |     |          |           |  |    |    |    | -  | -  | -  | -  | -  | -  | -  | -  | -  | -  | -  | 20 | 19 | 18 | 17     | -        | -                                   | - | - | - | - |
| MX123 CONN ASSY 73 CKT BLK OPT0 KEY A/73 | 345660103            | C-HSG-A0          | G-CAP-0-P   | TPA-A0 | RS          | LS         | MAL               | CPA | MSEAL    | RSEAL     | -  | -  | -  | -  | -  | -  | -  | -  | -  | -  | -  | -  | -  | -  | -  | -  | -  | -  | -      |          |                                     |   |   |   |   |
|  |                      |                   |             |        |             |            |                   |     |          |           | -  | -  | -  | -  | -  | -  | -  | -  | -  | -  | -  | -  | -  | -  | -  | -  | -  | -  | -      | -        | -                                   | - | - | - | - |
|  |                      |                   |             |        |             |            |                   |     |          |           |  |    |    |    | -  | -  | -  | -  | -  | -  | -  | -  | -  | -  | -  | -  | -  | -  | -      | -        | -                                   | - | - | - | - |
| MX123 CONN ASSY 73 CKT GRY OPT0 KEY B/58 | 345660104            | C-HSG-B0          | G-CAP-0-P   | TPA-B0 | RS          | LS         | MAL               | CPA | MSEAL    | RSEAL     | -  | -  | -  | -  | -  | -  | 66 | -  | -  | -  | -  | -  | -  | -  | 58 | -  | -  | -  | -      | -        |                                     |   |   |   |   |
|  |                      |                   |             |        |             |            |                   |     |          |           | 52   | 51 | -  | -  | -  | -  | -  | 45 | -  | -  | -  | 41 | -  | -  | 38 | 37 | -  | -  | -      | -        | -                                   | - | - | - | - |
|  |                      |                   |             |        |             |            |                   |     |          |           |  |    |    |    | -  | -  | -  | -  | -  | -  | -  | -  | -  | -  | -  | 20 | 19 | 18 | 17     | -        | -                                   | - | - | - | - |
| MX123 CONN ASSY 73 CKT GRY OPT0 KEY B/46 | 345660114            | C-HSG-B0          | G-CAP-0-P   | TPA-B0 | RS          | LS         | MAL               | CPA | MSEAL    | RSEAL     | -  | -  | -  | -  | 68 | 67 | 66 | 65 | -  | -  | 62 | -  | 60 | 59 | -  | -  | -  | -  | 54     | 53       |                                     |   |   |   |   |
|  |                      |                   |             |        |             |            |                   |     |          |           | -  | -  | -  | -  | 48 | 47 | 46 | 45 | 44 | -  | 42 | 41 | 40 | 39 | -  | -  | -  | -  | 35     | 34       | -                                   | - | - | - | - |
|  |                      |                   |             |        |             |            |                   |     |          |           |  |    |    |    | -  | 31 | -  | -  | -  | 27 | -  | -  | -  | -  | -  | -  | -  | 19 | 18     | 17       | -                                   | - | - | - | - |
| MX123 CONN ASSY 73 CKT GRY OPT0 KEY B/26 | 345660124            | C-HSG-B0          | G-CAP-0-P   | TPA-B0 | RS          | LS         | MAL               | CPA | MSEAL    | RSEAL     | -  | 71 | 70 | 69 | 68 | 67 | 66 | 65 | 64 | 63 | -  | -  | -  | -  | 58 | 57 | 56 | -  | 54     | 53       |                                     |   |   |   |   |
|  |                      |                   |             |        |             |            |                   |     |          |           | -  | 51 | 50 | 49 | -  | -  | -  | 45 | 44 | 43 | 42 | 41 | -  | 39 | 38 | 37 | 36 | 35 | 34     | -        | -                                   | - | - | - | - |
|  |                      |                   |             |        |             |            |                   |     |          |           |  |    |    |    | 32 | 31 | -  | 29 | 28 | 27 | 26 | 25 | 24 | 23 | -  | -  | -  | -  | -      | -        | -                                   | - | - | - | - |
| MX123 CONN ASSY 73 CKT GRY OPT0 KEY B/30 | 345660134            | C-HSG-B0          | G-CAP-0-P   | TPA-B0 | RS          | LS         | MAL               | CPA | MSEAL    | RSEAL     | -  | 71 | 70 | 69 | 68 | 67 | 66 | 65 | 64 | 63 | -  | -  | -  | -  | 58 | 57 | 56 | -  | 54     | 53       |                                     |   |   |   |   |
|  |                      |                   |             |        |             |            |                   |     |          |           | -  | 51 | 50 | 49 | -  | -  | -  | 45 | 44 | 43 | 42 | -  | -  | 39 | -  | -  | -  | -  | 34     | 33       | -                                   | - | - | - | - |
|  |                      |                   |             |        |             |            |                   |     |          |           |  |    |    |    | 32 | 31 | -  | 29 | 28 | 27 | 26 | 25 | 24 | 23 | -  | -  | -  | -  | -      | -        | 17                                  | - | - | - | - |
| MX123 CONN ASSY 73 CKT GRY OPT9 KEY B/14 | 345660144            | C-HSG-B9          | G-CAP-9-P   | TPA-B9 | RS          | LS         | MAL               | CPA | MSEAL    | RSEAL     | 72   | 71 | 70 | 69 | 68 | 67 | -  | 65 | 64 | 63 | 62 | 61 | 60 | 59 | -  | 57 | 56 | 55 | 54     | 53       |                                     |   |   |   |   |
|  |                      |                   |             |        |             |            |                   |     |          |           | 52   | 51 | 50 | 49 | 48 | 47 | 46 | 45 | 44 | 43 | 42 | -  | 40 | 39 | -  | -  | 36 | 35 | 34     | 33       | -                                   | - | - | - | - |
|  |                      |                   |             |        |             |            |                   |     |          |           |  |    |    |    | 32 | 31 | 30 | 29 | 28 | 27 | 26 | 25 | 24 | 23 | 22 | 21 | -  | -  | -      | -        | -                                   | - | - | - | - |
| MX123 CONN ASSY 73 CKT GRY OPT9 KEY B/62 | 345660154            | C-HSG-B9          | G-CAP-9-P   | TPA-B9 | RS          | LS         | MAL               | CPA | MSEAL    | RSEAL     | -  | -  | -  | -  | -  | -  | -  | -  | -  | -  | -  | -  | -  | -  | 58 | -  | -  | -  | -      | -        |                                     |   |   |   |   |
|  |                      |                   |             |        |             |            |                   |     |          |           | -  | -  | -  | -  | -  | -  | -  | -  | -  | -  | -  | -  | 41 | -  | -  | 38 | 37 | -  | -      | -        | -                                   | - | - | - | - |
|  |                      |                   |             |        |             |            |                   |     |          |           |  |    |    |    | -  | -  | -  | -  | -  | -  | -  | -  | -  | -  | -  | -  | 20 | 19 | 18     | 17       | -                                   | - | - | - | - |
| MX123 CONN ASSY 73 CKT GRY OPT9 KEY B/34 | 345660174            | C-HSG-B9          | G-CAP-9-P   | TPA-B9 | RS          | LS         | MAL               | CPA | MSEAL    | RSEAL     | -  | -  | -  | 69 | 68 | -  | -  | 65 | 64 | 63 | 62 | 61 | -  | 59 | 58 | -  | 56 | 55 | 54     | -        |                                     |   |   |   |   |
|  |                      |                   |             |        |             |            |                   |     |          |           | -  | -  | -  | 49 | 48 | -  | -  | 45 | 44 | 43 | 42 | 41 | 40 | -  | 38 | -  | 36 | -  | 34     | -        | -                                   | - | - | - | - |
|  |                      |                   |             |        |             |            |                   |     |          |           |  |    |    |    | 32 | 31 | -  | -  | -  | 27 | 26 | -  | -  | -  | -  | 21 | -  | -  | 18     | -        | -                                   | - | - | - | - |
| MX123 CONN ASSY 73 CKT GRY OPT9 KEY B/52 | 345660184            | C-HSG-B9          | G-CAP-9-P   | TPA-B9 | RS          | LS         | MAL               | CPA | MSEAL    | RSEAL     | -  | -  | -  | -  | -  | -  | -  | -  | -  | -  | 62 | -  | 60 | 59 | -  | -  | -  | -  | -      |          |                                     |   |   |   |   |
|  |                      |                   |             |        |             |            |                   |     |          |           | -  | -  | -  | -  | -  | -  | -  | -  | -  | -  | -  | -  | -  | 39 | 38 | -  | -  | 35 | 34     | 33       | -                                   | - | - | - | - |
|  |                      |                   |             |        |             |            |                   |     |          |           |  |    |    |    | -  | 31 | -  | -  | -  | 27 | -  | -  | -  | 23 | 22 | -  | 20 | 19 | 18     | 17       | -                                   | - | - | - | - |
| MX123 CONN ASSY 73 CKT BLU OPT0 KEY C/40 | 345660194            | C-HSG-C0          | G-CAP-0-P   | TPA-C0 | RS          | LS         | MAL               | CPA | MSEAL    | RSEAL     | -  | -  | -  | -  | 68 | -  | -  | -  | -  | 63 | 62 | 61 | 60 | 59 | 58 | 57 | -  | 55 | 54     | 53       |                                     |   |   |   |   |
|  |                      |                   |             |        |             |            |                   |     |          |           | -  | -  | -  | -  | 48 | -  | -  | -  | -  | 43 | 42 | 41 | 40 | -  | 38 | 37 | 36 | 35 | 34     | 33       | -                                   | - | - | - | - |
|  |                      |                   |             |        |             |            |                   |     |          |           |  |    |    |    | 32 | -  | -  | 29 | -  | 27 | -  | -  | -  | -  | -  | -  | -  | 19 | 18     | 17       | -                                   | - | - | - | - |







| ASSEMBLY DESCRIPTION                     | ASSEMBLY PART NUMBER | CONNECTOR HOUSING | GROMMET CAP | TPA    | RIGHT SLIDE | LEFT SLIDE | MATE ASSIST LEVER | CPA | MAT SEAL | RING SEAL | BLOCKED TERMINALS  |    |    |    |    |    |    |    |    |    |    |    |    |    |    |    |    |    | STATUS | COMMENTS | INTEGRAL COMPONENTS SOLD SEPARATELY |           |           |    |          |    |           |   |   |
|--|----------------------|-------------------|-------------|--------|-------------|------------|-------------------|-----|----------|-----------|--|----|----|----|----|----|----|----|----|----|----|----|----|----|----|----|----|----|--------|----------|-------------------------------------|-----------|-----------|----|----------|----|-----------|---|---|
|  |                      |                   |             |        |             |            |                   |     |          |           | CAVITY WITH A NUMBER INDICATES BLOCKED TERMINAL POSITION |    |    |    |    |    |    |    |    |    |    |    |    |    |    |    |    |    |        |          | DRESS COVER                         |           |           |    |          |    |           |   |   |
|  |                      |                   |             |        |             |            |                   |     |          |           | CAVITY WITHOUT A NUMBER INDICATES OPEN TERMINAL POSITION |    |    |    |    |    |    |    |    |    |    |    |    |    |    |    |    |    |        |          |                                     |           |           |    |          |    |           |   |   |
| MX123 CONN ASSY 73 CKT GRY OPT0 KEY B/46 | 345660514            | C-HSG-B0          | G-CAP-0-P   | TPA-B0 | RS          | LS         | MAL               | CPA | MSEAL    | RSEAL     | -  | -  | -  | -  | -  | -  | -  | -  | -  | -  | -  | -  | -  | 62 | -  | 60 | 59 | -  | -      | -        | -                                   | -         | 54        | 53 | SALEABLE |    | 345650003 |   |   |
|  |                      |                   |             |        |             |            |                   |     |          |           | -  | -  | -  | -  | -  | -  | -  | -  | -  | -  | -  | -  | 42 | 41 | -  | 39 | 38 | -  | -      | 35       | 34                                  | 33        |           |    |          |    |           |   |   |
|  |                      |                   |             |        |             |            |                   |     |          |           | -  | -  | -  | -  | -  | -  | -  | -  | -  | -  | -  | -  | 27 | -  | -  | -  | 23 | 22 | -      | 20       | 19                                  | 18        | 17        |    |          |    |           |   |   |
|  |                      |                   |             |        |             |            |                   |     |          |           | -  | -  | -  | -  | -  | -  | -  | -  | -  | -  | -  | -  | 15 | -  | -  | 12 | -  | -  | -      | 7        | -                                   | -         | 4         | 3  |          |    |           | 2 | 1 |
| MX123 CONN ASSY 73 CKT BLK OPT0 KEY A/30 | 345660524            | C-HSG-A0          | G-CAP-0-P   | TPA-A0 | RS          | LS         | MAL               | CPA | MSEAL    | RSEAL     | -  | -  | -  | 69 | 68 | -  | -  | 65 | 64 | 63 | 62 | 61 | 60 | 59 | 58 | 57 | 56 | 55 | 54     | -        | SALEABLE                            |           | 345650003 |    |          |    |           |   |   |
|  |                      |                   |             |        |             |            |                   |     |          |           | -  | -  | -  | 49 | 48 | -  | -  | 45 | 44 | 43 | 42 | 41 | 40 | -  | 38 | -  | 36 | -  | 34     | -        |                                     |           |           |    |          |    |           |   |   |
|  |                      |                   |             |        |             |            |                   |     |          |           | -  | -  | -  | -  | 32 | 31 | -  | -  | -  | -  | -  | 25 | 24 | 23 | 22 | 21 | 20 | 19 | 18     | -        |                                     |           |           |    |          |    |           |   |   |
|  |                      |                   |             |        |             |            |                   |     |          |           | -  | -  | -  | -  | 16 | 15 | 14 | -  | -  | -  | -  | 9  | -  | -  | 6  | 5  | 4  | -  | 2      | -        |                                     |           |           |    |          |    |           |   |   |
| MX123 CONN ASSY 73 CKT BLK OPT9 KEY A/46 | 345660534            | C-HSG-A9          | G-CAP-9-P   | TPA-A9 | RS          | LS         | MAL               | CPA | MSEAL    | RSEAL     | -  | -  | -  | -  | -  | -  | 65 | -  | 63 | -  | 61 | -  | 59 | 58 | 57 | -  | -  | -  | -      | 53       | SALEABLE                            |           | 345650003 |    |          |    |           |   |   |
|  |                      |                   |             |        |             |            |                   |     |          |           | -  | -  | -  | -  | -  | -  | -  | -  | -  | -  | -  | 43 | 42 | 41 | -  | -  | 38 | 37 | -      | -        |                                     |           |           | 34 | -        |    |           |   |   |
|  |                      |                   |             |        |             |            |                   |     |          |           | -  | -  | -  | -  | 32 | 31 | 30 | 29 | 28 | -  | -  | -  | -  | -  | 23 | 22 | -  | -  | 19     | -        |                                     |           |           | 17 |          |    |           |   |   |
|  |                      |                   |             |        |             |            |                   |     |          |           | -  | -  | -  | -  | 15 | -  | -  | -  | 11 | -  | -  | -  | 7  | -  | -  | -  | -  | -  | 2      | -        |                                     |           |           |    |          |    |           |   |   |
| MX123 CONN ASSY 73 CKT GRY OPT9 KEY B/59 | 345660544            | C-HSG-B9          | G-CAP-9-P   | TPA-B9 | RS          | LS         | MAL               | CPA | MSEAL    | RSEAL     | -  | -  | -  | -  | -  | -  | 66 | -  | -  | -  | 62 | -  | -  | -  | 58 | -  | -  | -  | -      | -        | SALEABLE                            |           | 345650003 |    |          |    |           |   |   |
|  |                      |                   |             |        |             |            |                   |     |          |           | -  | -  | -  | -  | -  | -  | -  | -  | -  | -  | -  | -  | -  | -  | -  | -  | -  | 41 | -      | -        |                                     |           |           | 38 | 37       | -  | -         | - | - |
|  |                      |                   |             |        |             |            |                   |     |          |           | -  | -  | -  | -  | -  | -  | -  | -  | -  | -  | -  | -  | -  | -  | -  | -  | -  | -  | -      | -        |                                     |           |           | 20 | 19       | 18 | 17        |   |   |
|  |                      |                   |             |        |             |            |                   |     |          |           | -  | -  | -  | -  | -  | -  | -  | -  | -  | -  | -  | -  | -  | -  | 8  | -  | -  | 5  | 4      | -        |                                     |           |           | -  | 1        |    |           |   |   |
| MX123 CONN ASSY 73 CKT NAT OPT0 KEY F/73 | 345660603            | C-HSG-F0          | G-CAP-0-P   | TPA-F0 | RS          | LS         | MAL               | CPA | MSEAL    | RSEAL     | -  | -  | -  | -  | -  | -  | -  | -  | -  | -  | -  | -  | -  | -  | -  | -  | -  | -  | -      | SALEABLE |                                     | 345650003 |           |    |          |    |           |   |   |
|  |                      |                   |             |        |             |            |                   |     |          |           | -  | -  | -  | -  | -  | -  | -  | -  | -  | -  | -  | -  | -  | -  | -  | -  | -  | -  | -      |          |                                     |           | -         | -  | -        | -  | -         |   |   |
|  |                      |                   |             |        |             |            |                   |     |          |           | -  | -  | -  | -  | -  | -  | -  | -  | -  | -  | -  | -  | -  | -  | -  | -  | -  | -  | -      |          |                                     |           | -         | -  | -        | -  | -         | - |   |
|  |                      |                   |             |        |             |            |                   |     |          |           | -  | -  | -  | -  | -  | -  | -  | -  | -  | -  | -  | -  | -  | -  | -  | -  | -  | -  | -      |          |                                     |           | -         | -  | -        | -  | -         | - |   |
| MX123 CONN ASSY 73 CKT BLK OPT9 KEY A/38 | 345660604            | C-HSG-A9          | G-CAP-9-P   | TPA-A9 | RS          | LS         | MAL               | CPA | MSEAL    | RSEAL     | -  | -  | -  | 69 | 68 | -  | -  | -  | -  | -  | -  | -  | 60 | -  | 58 | 57 | 56 | -  | 54     | -        | SALEABLE                            |           | 345650003 |    |          |    |           |   |   |
|  |                      |                   |             |        |             |            |                   |     |          |           | -  | -  | -  | 49 | 48 | -  | -  | -  | -  | -  | -  | -  | 40 | -  | -  | -  | -  | 35 | 34     | -        |                                     |           |           |    |          |    |           |   |   |
|  |                      |                   |             |        |             |            |                   |     |          |           | -  | -  | -  | -  | 32 | 31 | -  | -  | 28 | 27 | 26 | 25 | 24 | 23 | 22 | 21 | 20 | 19 | 18     | -        |                                     |           |           |    |          |    |           |   |   |
|  |                      |                   |             |        |             |            |                   |     |          |           | -  | -  | -  | -  | 16 | 15 | 14 | -  | 12 | 11 | 10 | 9  | -  | -  | -  | 5  | 4  | -  | 2      | -        |                                     |           |           |    |          |    |           |   |   |
| MX123 CONN ASSY 73 CKT GRY OPT0 KEY B/43 | 345660624            | C-HSG-B0          | G-CAP-0-P   | TPA-B0 | RS          | LS         | MAL               | CPA | MSEAL    | RSEAL     | -  | -  | -  | -  | 68 | 67 | 66 | 65 | 64 | -  | 62 | -  | 60 | 59 | -  | -  | -  | -  | 54     | 53       | SALEABLE                            |           | 345650003 |    |          |    |           |   |   |
|  |                      |                   |             |        |             |            |                   |     |          |           | -  | -  | -  | -  | 48 | 47 | 46 | -  | 44 | -  | 42 | -  | 40 | 39 | -  | -  | -  | 35 | 34     | -        |                                     |           |           |    |          |    |           |   |   |
|  |                      |                   |             |        |             |            |                   |     |          |           | -  | -  | -  | -  | -  | 31 | -  | -  | -  | 27 | -  | -  | -  | -  | -  | -  | -  | 19 | 18     | 17       |                                     |           |           |    |          |    |           |   |   |
|  |                      |                   |             |        |             |            |                   |     |          |           | -  | -  | -  | -  | -  | 15 | 14 | -  | -  | 11 | -  | -  | -  | -  | -  | -  | -  | 3  | 2      | 1        |                                     |           |           |    |          |    |           |   |   |
| MX123 CONN ASSY 73 CKT BLK OPT9 KEY A/42 | 345660634            | C-HSG-A9          | G-CAP-9-P   | TPA-A9 | RS          | LS         | MAL               | CPA | MSEAL    | RSEAL     | 72   | 71 | -  | -  | 68 | -  | 66 | 65 | -  | 63 | 62 | -  | -  | -  | 58 | -  | -  | -  | -      | -        | SALEABLE                            |           | 345650003 |    |          |    |           |   |   |
|  |                      |                   |             |        |             |            |                   |     |          |           | -  | -  | 50 | 49 | -  | 47 | 46 | -  | -  | 43 | 42 | -  | 40 | -  | -  | -  | -  | -  | -      | -        |                                     |           |           |    |          |    |           |   |   |
|  |                      |                   |             |        |             |            |                   |     |          |           | -  | -  | -  | -  | 32 | 31 | -  | 29 | -  | -  | -  | -  | 24 | 23 | -  | 21 | 20 | -  | 18     | 17       |                                     |           |           |    |          |    |           |   |   |
|  |                      |                   |             |        |             |            |                   |     |          |           | -  | -  | -  | -  | 16 | -  | -  | -  | -  | -  | -  | 9  | -  | 7  | 6  | -  | 4  | 3  | -      | 1        |                                     |           |           |    |          |    |           |   |   |
| MX123 CONN ASSY 73 CKT BLK OPT9 KEY A/43 | 345660654            | C-HSG-A9          | G-CAP-9-P   | TPA-A9 | RS          | LS         | MAL               | CPA | MSEAL    | RSEAL     | 72   | 71 | -  | -  | 68 | -  | 66 | 65 | -  | 63 | 62 | -  | -  | -  | 58 | -  | -  | -  | -      | -        | SALEABLE                            |           | 345650003 |    |          |    |           |   |   |
|  |                      |                   |             |        |             |            |                   |     |          |           | -  | -  | 50 | 49 | -  | 47 | 46 | -  | -  | 43 | 42 | -  | 40 | -  | -  | -  | -  | -  | 33     |          |                                     |           |           |    |          |    |           |   |   |
|  |                      |                   |             |        |             |            |                   |     |          |           | -  | -  | -  | -  | 32 | 31 | -  | 29 | -  | -  | -  | -  | 24 | 23 | -  | 20 | -  | 18 | 17     |          |                                     |           |           |    |          |    |           |   |   |
|  |                      |                   |             |        |             |            |                   |     |          |           | -  | -  | -  | -  | 16 | -  | -  | -  | -  | -  | 9  | -  | -  | 6  | -  | 4  | 3  | -  | 1      |          |                                     |           |           |    |          |    |           |   |   |
| MX123 CONN ASSY 73 CKT GRY OPT9 KEY B/50 | 345660674            | C-HSG-B9          | G-CAP-9-P   | TPA-B9 | RS          | LS         | MAL               | CPA | MSEAL    | RSEAL     | -  | -  | -  | -  | -  | -  | 66 | 65 | -  | -  | 62 | -  | 60 | 59 | -  | -  | -  | -  | 54     | 53       | SALEABLE                            |           | 345650003 |    |          |    |           |   |   |
|  |                      |                   |             |        |             |            |                   |     |          |           | -  | -  | -  | -  | -  | -  | -  | -  | -  | -  | -  | -  | -  | -  | -  | -  | -  | 35 | 34     | 33       |                                     |           |           |    |          |    |           |   |   |
|  |                      |                   |             |        |             |            |                   |     |          |           | -  | -  | -  | -  | -  | 31 | -  | -  | -  | 27 | -  | -  | -  | -  | -  | -  | -  | -  | 18     | 17       |                                     |           |           |    |          |    |           |   |   |
|  |                      |                   |             |        |             |            |                   |     |          |           | -  | -  | -  | -  | -  | -  | -  | -  | 11 | -  | -  | -  | -  | -  | -  | -  | -  | 3  | 2      | 1        |                                     |           |           |    |          |    |           |   |   |
| MX123 CONN ASSY 73 CKT BLK OPT0 KEY A/24 | 345660724            | C-HSG-A0          | G-CAP-0-P   | TPA-A0 | RS          | LS         | MAL               | CPA | MSEAL    | RSEAL     | 72   | 71 | 70 | 69 | -  | 67 | -  | -  | 64 | -  | -  | 61 | 60 | 59 | -  | 57 | 56 | 55 | 54     | 53       | SALEABLE                            |           | 345650003 |    |          |    |           |   |   |
|  |                      |                   |             |        |             |            |                   |     |          |           | 52   | 51 | -  | -  | 48 | -  | -  | 45 | 44 | -  | -  | 41 | 40 | 39 | 38 | 37 | 36 | 35 | 34     | -        |                                     |           |           |    |          |    |           |   |   |
|  |                      |                   |             |        |             |            |                   |     |          |           | -  | -  | -  | -  | -  | 31 | 30 | 29 | -  | 27 | 26 | 25 | -  | -  | 22 | -  | -  | 19 | 18     | -        |                                     |           |           |    |          |    |           |   |   |
|  |                      |                   |             |        |             |            |                   |     |          |           | -  | -  | -  | -  | 16 | 15 | 14 | 13 | 12 | 11 | 10 | 9  | 8  | 7  | 6  | 5  | -  | -  | 2      | -        |                                     |           |           |    |          |    |           |   |   |
| MX123 CONN ASSY 73 CKT BLK OPT0 KEY A/31 | 345661013            | C-HSG-A0          | G-CAP-0-P   | TPA-A0 | RS          | LS         | MAL               | CPA | MSEAL    | RSEAL     | 72   | -  | 70 | -  | -  | 67 | 66 | -  | -  | -  | 62 | -  | 60 | -  | -  | -  | -  | 55 | 54     | 53       | SALEABLE                            |           | 345650003 |    |          |    |           |   |   |
|  |                      |                   |             |        |             |            |                   |     |          |           | -  | 51 | -  | -  | 48 | -  | 46 | 45 | 44 | 43 | 42 | -  | 40 | 39 | -  | -  | -  | 35 | -      | -        |                                     |           |           |    |          |    |           |   |   |
|  |                      |                   |             |        |             |            |                   |     |          |           | -  | -  | -  | -  | -  | -  | -  | -  | -  | 26 | 25 | -  | -  | 22 | 21 | -  | -  | -  | -      | -        |                                     |           |           |    |          |    |           |   |   |
|  |                      |                   |             |        |             |            |                   |     |          |           | -  | -  | -  | -  | 15 | 14 | -  | -  | -  | -  | -  | 8  | 7  | 6  | 5  | 4  | -  | -  | -      | -        |                                     |           |           |    |          |    |           |   |   |

| ASSEMBLY DESCRIPTION                     | ASSEMBLY PART NUMBER | CONNECTOR HOUSING | GROMMET CAP | TPA    | RIGHT SLIDE | LEFT SLIDE | MATE ASSIST LEVER | CPA | MAT SEAL | RING SEAL | BLOCKED TERMINALS  |    |    |    |    |    |    |    |    |    |    |    |    |    |    |    |    |    | STATUS | COMMENTS | INTEGRAL COMPONENTS SOLD SEPARATELY |           |           |
|--|----------------------|-------------------|-------------|--------|-------------|------------|-------------------|-----|----------|-----------|--|----|----|----|----|----|----|----|----|----|----|----|----|----|----|----|----|----|--------|----------|-------------------------------------|-----------|-----------|
|  |                      |                   |             |        |             |            |                   |     |          |           | CAVITY WITH A NUMBER INDICATES BLOCKED TERMINAL POSITION |    |    |    |    |    |    |    |    |    |    |    |    |    |    |    |    |    |        |          | DRESS COVER                         |           |           |
|  |                      |                   |             |        |             |            |                   |     |          |           | CAVITY WITHOUT A NUMBER INDICATES OPEN TERMINAL POSITION |    |    |    |    |    |    |    |    |    |    |    |    |    |    |    |    |    |        |          |                                     |           |           |
| MX123 CONN ASSY 73 CKT BLK OPT0 KEY A/34 | 345661023            | C-HSG-A0          | G-CAP-0-P   | TPA-A0 | RS          | LS         | MAL               | CPA | MSEAL    | RSEAL     | 72   | 71 | -  | 69 | 68 | -  | -  | -  | 64 | 63 | 62 | 61 | 60 | 59 | -  | -  | 56 | -  | -      | 53       | SALEABLE                            |           | 345650003 |
|  |                      |                   |             |        |             |            |                   |     |          |           | 52   | 51 | -  | -  | 48 | -  | 46 | 45 | -  | -  | -  | -  | 40 | -  | 38 | -  | 36 | -  | 34     | 33       |                                     |           |           |
|  |                      |                   |             |        |             |            |                   |     |          |           | -  |    |    |    |    |    |    |    |    |    |    |    |    |    |    |    |    |    |        |          |                                     |           |           |
| MX123 CONN ASSY 73 CKT BLK OPT0 KEY A/32 | 345661033            | C-HSG-A0          | G-CAP-0-P   | TPA-A0 | RS          | LS         | MAL               | CPA | MSEAL    | RSEAL     | -  | 71 | -  | 69 | 68 | -  | -  | -  | 64 | 63 | 62 | 61 | 60 | 59 | -  | -  | 56 | -  | -      | 53       | SALEABLE                            |           | 345650003 |
|  |                      |                   |             |        |             |            |                   |     |          |           | 52   | 51 | -  | -  | 48 | -  | 46 | 45 | -  | -  | -  | -  | 40 | -  | 38 | -  | 36 | -  | 34     | 33       |                                     |           |           |
|  |                      |                   |             |        |             |            |                   |     |          |           | -  |    |    |    |    |    |    |    |    |    |    |    |    |    |    |    |    |    |        |          |                                     |           |           |
| MX123 CONN ASSY 73 CKT GRY OPT0 KEY B/30 | 345661043            | C-HSG-B0          | G-CAP-0-P   | TPA-B0 | RS          | LS         | MAL               | CPA | MSEAL    | RSEAL     | 72   | -  | -  | 69 | -  | 67 | -  | -  | 64 | 63 | 62 | 61 | 60 | -  | -  | -  | 56 | 55 | -      | -        | SALEABLE                            |           | 345650003 |
|  |                      |                   |             |        |             |            |                   |     |          |           | 52   | -  | -  | -  | -  | 47 | -  | -  | 44 | -  | 42 | -  | -  | -  | -  | -  | -  | -  | 34     | -        |                                     |           |           |
|  |                      |                   |             |        |             |            |                   |     |          |           | -  |    |    |    |    |    |    |    |    |    |    |    |    |    |    |    |    |    |        |          |                                     |           |           |
| MX123 CONN ASSY 73 CKT GRY OPT0 KEY B/50 | 345661063            | C-HSG-B0          | G-CAP-0-P   | TPA-B0 | RS          | LS         | MAL               | CPA | MSEAL    | RSEAL     | 72   | 71 | 70 | 69 | 68 | 67 | 66 | -  | 64 | 63 | 62 | 61 | -  | -  | 58 | -  | -  | 54 | -      | SALEABLE |                                     | 345650003 |           |
|  |                      |                   |             |        |             |            |                   |     |          |           | 52   | 51 | 50 | -  | -  | -  | 46 | 45 | -  | 43 | 42 | 41 | -  | -  | 38 | -  | -  | -  | 34     |          |                                     |           | -         |
|  |                      |                   |             |        |             |            |                   |     |          |           | -  |    |    |    |    |    |    |    |    |    |    |    |    |    |    |    |    |    |        |          |                                     |           |           |
| MX123 CONN ASSY 73 CKT BLK OPT0 KEY A/28 | 345661073            | C-HSG-A0          | G-CAP-0-P   | TPA-A0 | RS          | LS         | MAL               | CPA | MSEAL    | RSEAL     | -  | -  | -  | -  | -  | -  | -  | -  | -  | 62 | -  | 60 | -  | -  | -  | -  | 55 | -  | 53     | SALEABLE |                                     | 345650003 |           |
|  |                      |                   |             |        |             |            |                   |     |          |           | 52   | 51 | -  | -  | -  | -  | 46 | 45 | 44 | 43 | -  | -  | 40 | 39 | -  | -  | -  | 35 | -      |          |                                     |           | -         |
|  |                      |                   |             |        |             |            |                   |     |          |           | -  |    |    |    |    |    |    |    |    |    |    |    |    |    |    |    |    |    |        |          |                                     |           |           |
| MX123 CONN ASSY 73 CKT GRY OPT0 KEY B/28 | 345661083            | C-HSG-B0          | G-CAP-0-P   | TPA-B0 | RS          | LS         | MAL               | CPA | MSEAL    | RSEAL     | 72   | 71 | 70 | 69 | -  | -  | -  | -  | 63 | 62 | 61 | 60 | -  | -  | -  | 56 | -  | -  | -      | SALEABLE |                                     | 345650003 |           |
|  |                      |                   |             |        |             |            |                   |     |          |           | 52   | -  | -  | -  | -  | 47 | -  | -  | 44 | -  | -  | -  | -  | -  | -  | -  | 36 | -  | 34     |          |                                     |           | -         |
|  |                      |                   |             |        |             |            |                   |     |          |           | -  |    |    |    |    |    |    |    |    |    |    |    |    |    |    |    |    |    |        |          |                                     |           |           |
| MX123 CONN ASSY 73 CKT BLK OPT0 KEY A/40 | 345661093            | C-HSG-A0          | G-CAP-0-P   | TPA-A0 | RS          | LS         | MAL               | CPA | MSEAL    | RSEAL     | 72   | 71 | -  | 69 | -  | -  | -  | 65 | 64 | 63 | 62 | 61 | 60 | 59 | -  | 57 | -  | -  | 53     | SALEABLE |                                     | 345650003 |           |
|  |                      |                   |             |        |             |            |                   |     |          |           | 52   | 51 | 50 | -  | 48 | -  | 46 | 45 | -  | -  | -  | -  | 40 | -  | 38 | -  | -  | 35 | -      |          |                                     |           | 33        |
|  |                      |                   |             |        |             |            |                   |     |          |           | -  |    |    |    |    |    |    |    |    |    |    |    |    |    |    |    |    |    |        |          |                                     |           |           |
| MX123 CONN ASSY 73 CKT BLK OPT0 KEY A/39 | 345661133            | C-HSG-A0          | G-CAP-0-P   | TPA-A0 | RS          | LS         | MAL               | CPA | MSEAL    | RSEAL     | 72   | 71 | -  | 69 | -  | -  | -  | 65 | 64 | 63 | 62 | -  | 60 | 59 | -  | -  | 56 | -  | -      | 53       | SALEABLE                            |           | 345650003 |
|  |                      |                   |             |        |             |            |                   |     |          |           | 52   | 51 | 50 | -  | 48 | -  | 46 | -  | -  | -  | -  | -  | 40 | -  | 38 | -  | 36 | 35 | -      | 33       |                                     |           |           |
|  |                      |                   |             |        |             |            |                   |     |          |           | -  |    |    |    |    |    |    |    |    |    |    |    |    |    |    |    |    |    |        |          |                                     |           |           |
| MX123 CONN ASSY 73 CKT BLK OPT0 KEY A/31 | 345661143            | C-HSG-A0          | G-CAP-0-P   | TPA-A0 | RS          | LS         | MAL               | CPA | MSEAL    | RSEAL     | 72   | 71 | 70 | 69 | -  | 67 | 66 | -  | 64 | -  | 62 | -  | 60 | -  | -  | 57 | -  | 55 | 54     | -        | SALEABLE                            |           | 345650003 |
|  |                      |                   |             |        |             |            |                   |     |          |           | -  | 51 | -  | 49 | 48 | -  | 46 | 45 | 44 | 43 | 42 | -  | 40 | 39 | -  | -  | -  | -  | -      | -        |                                     |           |           |
|  |                      |                   |             |        |             |            |                   |     |          |           | -  |    |    |    |    |    |    |    |    |    |    |    |    |    |    |    |    |    |        |          |                                     |           |           |
| MX123 CONN ASSY 73 CKT BLK OPT0 KEY A/42 | 345661153            | C-HSG-A0          | G-CAP-0-P   | TPA-A0 | RS          | LS         | MAL               | CPA | MSEAL    | RSEAL     | 72   | 71 | -  | 69 | 68 | -  | -  | -  | 64 | 63 | 62 | 61 | 60 | 59 | -  | -  | 56 | -  | 54     | 53       | SALEABLE                            |           | 345650003 |
|  |                      |                   |             |        |             |            |                   |     |          |           | 52   | 51 | 50 | -  | 48 | -  | 46 | 45 | -  | -  | -  | -  | 40 | -  | 38 | -  | 36 | 35 | 34     | 33       |                                     |           |           |
|  |                      |                   |             |        |             |            |                   |     |          |           | -  |    |    |    |    |    |    |    |    |    |    |    |    |    |    |    |    |    |        |          |                                     |           |           |
| MX123 CONN ASSY 73 CKT BLK OPT0 KEY A/27 | 345661173            | C-HSG-A0          | G-CAP-0-P   | TPA-A0 | RS          | LS         | MAL               | CPA | MSEAL    | RSEAL     | -  | -  | 70 | -  | -  | 67 | 66 | -  | -  | -  | -  | -  | -  | -  | -  | 57 | -  | 55 | -      | 53       | SALEABLE                            |           | 345650003 |
|  |                      |                   |             |        |             |            |                   |     |          |           | -  | 51 | -  | -  | -  | -  | 46 | -  | 44 | 43 | -  | -  | 40 | 39 | -  | -  | -  | 35 | -      | -        |                                     |           |           |
|  |                      |                   |             |        |             |            |                   |     |          |           | -  |    |    |    |    |    |    |    |    |    |    |    |    |    |    |    |    |    |        |          |                                     |           |           |
| MX123 CONN ASSY 73 CKT GRY OPT0 KEY B/48 | 345661183            | C-HSG-B0          | G-CAP-0-P   | TPA-B0 | RS          | LS         | MAL               | CPA | MSEAL    | RSEAL     | 72   | 71 | 70 | 69 | 68 | 67 | -  | -  | -  | 63 | -  | 61 | 60 | -  | 58 | -  | 56 | -  | 54     | -        | SALEABLE                            |           | 345650003 |
|  |                      |                   |             |        |             |            |                   |     |          |           | 52   | 51 | 50 | -  | -  | -  | 46 | 45 | -  | 43 | -  | 41 | 40 | -  | 38 | -  | 36 | -  | 34     | -        |                                     |           |           |
|  |                      |                   |             |        |             |            |                   |     |          |           | -  |    |    |    |    |    |    |    |    |    |    |    |    |    |    |    |    |    |        |          |                                     |           |           |



| ASSEMBLY DESCRIPTION                     | ASSEMBLY PART NUMBER | CONNECTOR HOUSING | GROMMET CAP | TPA    | RIGHT SLIDE | LEFT SLIDE | MATE ASSIST LEVER | CPA | MAT SEAL | RING SEAL | BLOCKED TERMINALS  |    |    |    |    |    |    |    |    |    |    |    |    |    |    |    |    |    | STATUS | COMMENTS | INTEGRAL COMPONENTS SOLD SEPARATELY |
|--|----------------------|-------------------|-------------|--------|-------------|------------|-------------------|-----|----------|-----------|--|----|----|----|----|----|----|----|----|----|----|----|----|----|----|----|----|----|--------|----------|-------------------------------------|
|  |                      |                   |             |        |             |            |                   |     |          |           | CAVITY WITH A NUMBER INDICATES BLOCKED TERMINAL POSITION<br>CAVITY WITHOUT A NUMBER INDICATES OPEN TERMINAL POSITION |    |    |    |    |    |    |    |    |    |    |    |    |    |    |    |    |    |        |          | DRESS COVER                         |
|  |                      |                   |             |        |             |            |                   |     |          |           |  |    |    |    |    |    |    |    |    |    |    |    |    |    |    |    |    |    |        |          |                                     |
| MX123 CONN ASSY 73 CKT BLK OPT0 KEY A/32 | 345661193            | C-HSG-A0          | G-CAP-0-P   | TPA-A0 | RS          | LS         | MAL               | CPA | MSEAL    | RSEAL     | -  | -  | 70 | -  | -  | -  | -  | 65 | -  | -  | -  | 61 | 60 | -  | 58 | 57 | 56 | 55 | -      | -        |                                     |
|  |                      |                   |             |        |             |            |                   |     |          |           | -  | 51 | 50 | -  | -  | 47 | -  | 45 | -  | -  | -  | 41 | 40 | -  | 38 | 37 | 36 | 35 | -      | -        |                                     |
|  |                      |                   |             |        |             |            |                   |     |          |           |  |    |    |    |    |    |    |    |    |    |    | -  | 31 | 30 | -  | 28 | -  | 26 | 25     | 24       | -                                   |
|  |                      |                   |             |        |             |            |                   |     |          |           | 16   | 15 | -  | -  | -  | -  | 10 | -  | -  | -  | -  | -  | -  | -  | -  | -  | -  | -  | -      |          |                                     |
| MX123 CONN ASSY 73 CKT BLK OPT0 KEY A/36 | 345661213            | C-HSG-A0          | G-CAP-0-P   | TPA-A0 | RS          | LS         | MAL               | CPA | MSEAL    | RSEAL     | -  | -  | 70 | -  | -  | -  | -  | 65 | -  | -  | -  | 61 | 60 | -  | 58 | 57 | 56 | 55 | -      | -        |                                     |
|  |                      |                   |             |        |             |            |                   |     |          |           | -  | 51 | 50 | 49 | -  | 47 | -  | 45 | -  | -  | -  | 41 | 40 | -  | 38 | 37 | 36 | 35 | 34     | -        |                                     |
|  |                      |                   |             |        |             |            |                   |     |          |           |  |    |    |    |    |    |    |    |    |    |    | -  | 31 | 30 | -  | 28 | -  | 26 | 25     | -        | -                                   |
|  |                      |                   |             |        |             |            |                   |     |          |           | 16   | 15 | -  | -  | -  | -  | 10 | -  | -  | 7  | 6  | -  | -  | -  | -  | -  | -  | -  |        |          |                                     |
| MX123 CONN ASSY 73 CKT GRY OPT0 KEY B/48 | 345661223            | C-HSG-B0          | G-CAP-0-P   | TPA-B0 | RS          | LS         | MAL               | CPA | MSEAL    | RSEAL     | 72   | 71 | 70 | 69 | 68 | -  | -  | -  | 64 | -  | -  | 61 | 60 | -  | 58 | -  | 56 | -  | 54     | -        |                                     |
|  |                      |                   |             |        |             |            |                   |     |          |           | 52   | 51 | 50 | 49 | -  | 47 | 46 | 45 | 44 | -  | -  | 41 | 40 | -  | 38 | -  | 36 | -  | 34     | -        |                                     |
|  |                      |                   |             |        |             |            |                   |     |          |           |  |    |    |    |    |    |    |    |    |    |    | 32 | 31 | 30 | -  | 28 | -  | -  | 25     | 24       | -                                   |
|  |                      |                   |             |        |             |            |                   |     |          |           | 16   | 15 | 14 | 13 | -  | 11 | 10 | -  | 8  | -  | 6  | 5  | 4  | 3  | 2  | 1  | -  |    |        |          |                                     |
| MX123 CONN ASSY 73 CKT GRY OPT0 KEY B/52 | 345661233            | C-HSG-B0          | G-CAP-0-P   | TPA-B0 | RS          | LS         | MAL               | CPA | MSEAL    | RSEAL     | 72   | 71 | 70 | 69 | 68 | 67 | 66 | -  | 64 | 63 | -  | 61 | 60 | -  | 58 | -  | 56 | -  | 54     | -        |                                     |
|  |                      |                   |             |        |             |            |                   |     |          |           | 52   | 51 | 50 | 49 | -  | 47 | -  | 45 | 44 | 43 | -  | 41 | 40 | -  | 38 | -  | 36 | -  | 34     | -        |                                     |
|  |                      |                   |             |        |             |            |                   |     |          |           |  |    |    |    |    |    |    |    |    |    |    | 32 | 31 | 30 | -  | 28 | 27 | -  | 25     | 24       | -                                   |
|  |                      |                   |             |        |             |            |                   |     |          |           | 16   | 15 | 14 | 13 | -  | 11 | 10 | -  | 8  | -  | 6  | 5  | 4  | 3  | 2  | 1  | -  |    |        |          |                                     |
| MX123 CONN ASSY 73 CKT GRY OPT0 KEY B/51 | 345661243            | C-HSG-B0          | G-CAP-0-P   | TPA-B0 | RS          | LS         | MAL               | CPA | MSEAL    | RSEAL     | 72   | 71 | 70 | 69 | 68 | 67 | 66 | 65 | 64 | 63 | 62 | 61 | 60 | -  | 58 | -  | 56 | -  | 54     | -        |                                     |
|  |                      |                   |             |        |             |            |                   |     |          |           | 52   | 51 | -  | 49 | -  | 47 | -  | 45 | 44 | 43 | 42 | 41 | 40 | -  | 38 | -  | 36 | -  | 34     | -        |                                     |
|  |                      |                   |             |        |             |            |                   |     |          |           |  |    |    |    |    |    |    |    |    |    |    | 32 | 31 | 30 | -  | 28 | 27 | 26 | 25     | 24       | -                                   |
|  |                      |                   |             |        |             |            |                   |     |          |           | 16   | -  | 14 | 13 | -  | 11 | 10 | 9  | 8  | -  | -  | -  | -  | -  | -  | 2  | 1  | -  |        |          |                                     |
| MX123 CONN ASSY 73 CKT GRY OPT9 KEY B/55 | 345661253            | C-HSG-B9          | G-CAP-9-P   | TPA-B9 | RS          | LS         | MAL               | CPA | MSEAL    | RSEAL     | 72   | 71 | 70 | 69 | 68 | 67 | 66 | -  | 64 | 63 | 62 | 61 | -  | -  | 58 | -  | 56 | -  | 54     | -        |                                     |
|  |                      |                   |             |        |             |            |                   |     |          |           | 52   | 51 | 50 | -  | -  | 47 | -  | 45 | 44 | 43 | 42 | 41 | -  | -  | 38 | -  | 36 | -  | 34     | -        |                                     |
|  |                      |                   |             |        |             |            |                   |     |          |           |  |    |    |    |    |    |    |    |    |    |    | 32 | 31 | 30 | 29 | 28 | 27 | 26 | 25     | -        | -                                   |
|  |                      |                   |             |        |             |            |                   |     |          |           | 16   | 15 | 14 | 13 | 12 | 11 | 10 | 9  | 8  | 7  | 6  | 5  | 4  | 3  | -  | 1  | -  |    |        |          |                                     |
| MX123 CONN ASSY 73 CKT BLK OPT9 KEY A/32 | 345661263            | C-HSG-A9          | G-CAP-9-P   | TPA-A9 | RS          | LS         | MAL               | CPA | MSEAL    | RSEAL     | -  | -  | 70 | -  | -  | -  | -  | 65 | -  | -  | -  | 61 | 60 | -  | 58 | 57 | -  | 55 | 54     | -        |                                     |
|  |                      |                   |             |        |             |            |                   |     |          |           | 52   | 51 | -  | 49 | -  | 47 | -  | 45 | -  | -  | -  | 41 | 40 | -  | 38 | 37 | -  | -  | 34     | -        |                                     |
|  |                      |                   |             |        |             |            |                   |     |          |           |  |    |    |    |    |    |    |    |    |    |    | -  | 31 | -  | -  | 28 | -  | 26 | 25     | -        | -                                   |
|  |                      |                   |             |        |             |            |                   |     |          |           | 16   | 15 | -  | -  | -  | -  | 10 | -  | -  | 7  | 6  | -  | -  | -  | -  | -  | -  |    |        |          |                                     |
| MX123 CONN ASSY 73 CKT BLK OPT0 KEY A/33 | 345661273            | C-HSG-A0          | G-CAP-0-P   | TPA-A0 | RS          | LS         | MAL               | CPA | MSEAL    | RSEAL     | 72   | 71 | -  | -  | -  | 67 | 66 | -  | -  | -  | 62 | -  | 60 | -  | -  | -  | 55 | 54 | 53     |          |                                     |
|  |                      |                   |             |        |             |            |                   |     |          |           | -  | 51 | -  | -  | -  | -  | 46 | 45 | 44 | 43 | 42 | -  | 40 | 39 | -  | -  | -  | 35 | -      | -        |                                     |
|  |                      |                   |             |        |             |            |                   |     |          |           |  |    |    |    |    |    |    |    |    |    |    | -  | -  | -  | -  | -  | -  | 26 | 25     | -        | -                                   |
|  |                      |                   |             |        |             |            |                   |     |          |           | -  | 15 | 14 | -  | -  | -  | -  | -  | 8  | 7  | 6  | 5  | 4  | 3  | 2  | -  | -  |    |        |          |                                     |
| MX123 CONN ASSY 73 CKT BLK OPT0 KEY A/28 | 345661283            | C-HSG-A0          | G-CAP-0-P   | TPA-A0 | RS          | LS         | MAL               | CPA | MSEAL    | RSEAL     | -  | -  | -  | -  | -  | 67 | -  | -  | -  | -  | 62 | -  | 60 | -  | -  | -  | 55 | -  | 53     |          |                                     |
|  |                      |                   |             |        |             |            |                   |     |          |           | -  | 51 | -  | -  | -  | -  | 46 | 45 | 44 | 43 | -  | -  | 40 | 39 | -  | -  | -  | 35 | -      | -        |                                     |
|  |                      |                   |             |        |             |            |                   |     |          |           |  |    |    |    |    |    |    |    |    |    |    | -  | -  | -  | -  | -  | -  | 25 | -      | -        | 22                                  |
|  |                      |                   |             |        |             |            |                   |     |          |           | -  | 15 | 14 | -  | -  | -  | -  | -  | 8  | 7  | 6  | 5  | 4  | 3  | 2  | 1  | -  |    |        |          |                                     |
| MX123 CONN ASSY 73 CKT BLK OPT0 KEY A/38 | 345661293            | C-HSG-A0          | G-CAP-0-P   | TPA-A0 | RS          | LS         | MAL               | CPA | MSEAL    | RSEAL     | 72   | 71 | 70 | 69 | -  | 67 | 66 | -  | 64 | -  | 62 | -  | 60 | -  | -  | 57 | -  | 55 | 54     | 53       |                                     |
|  |                      |                   |             |        |             |            |                   |     |          |           | -  | 51 | -  | 49 | 48 | -  | 46 | 45 | 44 | 43 | 42 | -  | 40 | 39 | -  | -  | -  | 35 | -      | -        |                                     |
|  |                      |                   |             |        |             |            |                   |     |          |           |  |    |    |    |    |    |    |    |    |    |    | -  | -  | -  | -  | -  | -  | 26 | 25     | -        | -                                   |
|  |                      |                   |             |        |             |            |                   |     |          |           | -  | 15 | 14 | -  | -  | -  | -  | -  | 8  | 7  | 6  | 5  | 4  | 3  | 2  | -  | -  |    |        |          |                                     |
| MX123 CONN ASSY 73 CKT BLK OPT9 KEY A/73 | 345661303            | C-HSG-A9          | G-CAP-9-P   | TPA-A9 | RS          | LS         | MAL               | CPA | MSEAL    | RSEAL     | -  | -  | -  | -  | -  | -  | -  | -  | -  | -  | -  | -  | -  | -  | -  | -  | -  | -  |        |          |                                     |
|  |                      |                   |             |        |             |            |                   |     |          |           | -  | -  | -  | -  | -  | -  | -  | -  | -  | -  | -  | -  | -  | -  | -  | -  | -  | -  | -      | -        |                                     |
|  |                      |                   |             |        |             |            |                   |     |          |           |  |    |    |    |    |    |    |    |    |    |    | -  | -  | -  | -  | -  | -  | -  | -      | -        | -                                   |
|  |                      |                   |             |        |             |            |                   |     |          |           | -  | -  | -  | -  | -  | -  | -  | -  | -  | -  | -  | -  | -  | -  | -  | -  | -  |    |        |          |                                     |
| MX123 CONN ASSY 73 CKT BLK OPT0 KEY A/4  | 345661323            | C-HSG-A0          | G-CAP-0-P   | TPA-A0 | RS          | LS         | MAL               | CPA | MSEAL    | RSEAL     | -  | -  | -  | -  | -  | -  | -  | -  | -  | -  | -  | 61 | -  | -  | -  | -  | -  | -  | -      |          |                                     |
|  |                      |                   |             |        |             |            |                   |     |          |           | -  | -  | -  | -  | -  | -  | -  | -  | -  | -  | -  | -  | -  | -  | -  | -  | -  | -  | -      | -        |                                     |
|  |                      |                   |             |        |             |            |                   |     |          |           |  |    |    |    |    |    |    |    |    |    |    | -  | -  | -  | -  | -  | -  | 26 | -      | -        | -                                   |
|  |                      |                   |             |        |             |            |                   |     |          |           | -  | -  | -  | -  | -  | -  | 10 | -  | -  | -  | -  | -  | -  | -  | -  | -  | -  |    |        |          |                                     |

| ASSEMBLY DESCRIPTION                     | ASSEMBLY PART NUMBER | CONNECTOR HOUSING | GROMMET CAP | TPA    | RIGHT SLIDE | LEFT SLIDE | MATE ASSIST LEVER | CPA | MAT SEAL | RING SEAL | BLOCKED TERMINALS  |    |    |    |    |    |    |    |    |    |    |    |    |    |    |    |    |    |          |          | STATUS    | COMMENTS  | INTEGRAL COMPONENTS SOLD SEPARATELY |
|--|----------------------|-------------------|-------------|--------|-------------|------------|-------------------|-----|----------|-----------|--|----|----|----|----|----|----|----|----|----|----|----|----|----|----|----|----|----|----------|----------|-----------|-----------|-------------------------------------|
|  |                      |                   |             |        |             |            |                   |     |          |           | CAVITY WITH A NUMBER INDICATES BLOCKED TERMINAL POSITION |    |    |    |    |    |    |    |    |    |    |    |    |    |    |    |    |    |          |          |           |           | DRESS COVER                         |
|  |                      |                   |             |        |             |            |                   |     |          |           | CAVITY WITHOUT A NUMBER INDICATES OPEN TERMINAL POSITION |    |    |    |    |    |    |    |    |    |    |    |    |    |    |    |    |    |          |          |           |           |                                     |
| MX123 CONN ASSY 73 CKT BLK OPT0 KEY A/36 | 345661333            | C-HSG-A0          | G-CAP-0-P   | TPA-A0 | RS          | LS         | MAL               | CPA | MSEAL    | RSEAL     | 72   | 71 | -  | -  | -  | 67 | 66 | -  | -  | 63 | 62 | 61 | 60 | -  | -  | 57 | -  | 55 | 54       | 53       | SALEABLE  |           | 345650003                           |
|  |                      |                   |             |        |             |            |                   |     |          |           | -  | 51 | -  | -  | 48 | -  | 46 | 45 | 44 | 43 | 42 | -  | 40 | 39 | -  | -  | -  | 35 | -        | 33       |           |           |                                     |
|  |                      |                   |             |        |             |            |                   |     |          |           |  |    |    |    |    |    |    |    |    |    | -  | -  | -  | -  | -  | 26 | 25 | 24 | -        | 22       |           |           |                                     |
| MX123 CONN ASSY 73 CKT BLK OPT0 KEY A/31 | 345661343            | C-HSG-A0          | G-CAP-0-P   | TPA-A0 | RS          | LS         | MAL               | CPA | MSEAL    | RSEAL     | -  | -  | 70 | -  | 68 | -  | 66 | -  | -  | -  | 62 | 61 | 60 | -  | -  | -  | -  | 55 | 54       | 53       | SALEABLE  |           | 345650003                           |
|  |                      |                   |             |        |             |            |                   |     |          |           | 52   | 51 | -  | -  | -  | -  | 46 | 45 | 44 | 43 | 42 | -  | 40 | 39 | -  | -  | -  | 35 | -        | 33       |           |           |                                     |
|  |                      |                   |             |        |             |            |                   |     |          |           |  |    |    |    |    |    |    |    |    |    | -  | -  | -  | -  | -  | 26 | 25 | 24 | -        | 22       |           |           |                                     |
| MX123 CONN ASSY 73 CKT BLK OPT0 KEY A/38 | 345661363            | C-HSG-A0          | G-CAP-0-P   | TPA-A0 | RS          | LS         | MAL               | CPA | MSEAL    | RSEAL     | -  | -  | 70 | -  | -  | -  | 65 | -  | -  | -  | 61 | 60 | -  | 58 | 57 | 56 | 55 | 54 | -        | SALEABLE |           | 345650003 |                                     |
|  |                      |                   |             |        |             |            |                   |     |          |           | 52   | 51 | 50 | 49 | -  | 47 | -  | 45 | -  | -  | -  | 41 | 40 | -  | 38 | 37 | 36 | 35 | 34       |          |           |           | -                                   |
|  |                      |                   |             |        |             |            |                   |     |          |           |  |    |    |    |    |    |    |    |    |    | -  | 31 | 30 | -  | 28 | -  | 26 | 25 | -        |          |           |           | -                                   |
| MX123 CONN ASSY 73 CKT GRY OPT0 KEY B/51 | 345661373            | C-HSG-B0          | G-CAP-0-P   | TPA-B0 | RS          | LS         | MAL               | CPA | MSEAL    | RSEAL     | 72   | 71 | 70 | 69 | 68 | 67 | -  | -  | 64 | 63 | -  | 61 | 60 | -  | 58 | -  | 56 | -  | 54       | -        | SALEABLE  |           | 345650003                           |
|  |                      |                   |             |        |             |            |                   |     |          |           | 52   | 51 | 50 | 49 | -  | 47 | -  | 45 | 44 | 43 | -  | 41 | 40 | -  | 38 | -  | 36 | -  | 34       | -        |           |           |                                     |
|  |                      |                   |             |        |             |            |                   |     |          |           |  |    |    |    |    |    |    |    |    |    | 32 | 31 | 30 | -  | 28 | 27 | -  | 25 | 24       | -        |           |           |                                     |
| MX123 CONN ASSY 73 CKT GRY OPT0 KEY B/51 | 345661383            | C-HSG-B0          | G-CAP-0-P   | TPA-B0 | RS          | LS         | MAL               | CPA | MSEAL    | RSEAL     | 72   | 71 | 70 | 69 | 68 | 67 | 66 | -  | 64 | 63 | 62 | 61 | 60 | -  | -  | -  | 56 | -  | 54       | -        | SALEABLE  |           | 345650003                           |
|  |                      |                   |             |        |             |            |                   |     |          |           | 52   | 51 | 50 | -  | -  | -  | -  | 45 | 44 | 43 | 42 | 41 | 40 | -  | -  | -  | 36 | -  | 34       | -        |           |           |                                     |
|  |                      |                   |             |        |             |            |                   |     |          |           |  |    |    |    |    |    |    |    |    |    | 32 | 31 | 30 | -  | 28 | 27 | 26 | 25 | 24       | -        |           |           |                                     |
| MX123 CONN ASSY 73 CKT GRY OPT0 KEY B/51 | 345661383            | C-HSG-B0          | G-CAP-0-P   | TPA-B0 | RS          | LS         | MAL               | CPA | MSEAL    | RSEAL     | 72   | 71 | 70 | 69 | 68 | 67 | 66 | -  | 64 | 63 | 62 | 61 | 60 | -  | -  | -  | 56 | -  | 54       | -        | SALEABLE  |           | 345650003                           |
|  |                      |                   |             |        |             |            |                   |     |          |           | 52   | 51 | 50 | -  | -  | -  | -  | 45 | 44 | 43 | 42 | 41 | 40 | -  | -  | -  | 36 | -  | 34       | -        |           |           |                                     |
|  |                      |                   |             |        |             |            |                   |     |          |           |  |    |    |    |    |    |    |    |    |    | 32 | 31 | 30 | -  | 28 | 27 | 26 | 25 | 24       | -        |           |           |                                     |
| MX123 CONN ASSY 73 CKT BLK OPT0 KEY A/41 | 345661393            | C-HSG-A0          | G-CAP-0-P   | TPA-A0 | RS          | LS         | MAL               | CPA | MSEAL    | RSEAL     | 72   | 71 | -  | 69 | 68 | -  | -  | 65 | 64 | 63 | 62 | -  | 60 | 59 | -  | -  | 56 | -  | -        | 53       | SALEABLE  |           | 345650003                           |
|  |                      |                   |             |        |             |            |                   |     |          |           | 52   | 51 | 50 | 49 | 48 | -  | 46 | -  | -  | -  | -  | -  | 40 | -  | 38 | -  | 36 | 35 | -        | 33       |           |           |                                     |
|  |                      |                   |             |        |             |            |                   |     |          |           |  |    |    |    |    |    |    |    |    |    | -  | 31 | -  | 29 | 28 | -  | 26 | -  | -        | 23       |           |           |                                     |
| MX123 CONN ASSY 73 CKT GRY OPT9 KEY B/73 | 345661403            | C-HSG-B9          | G-CAP-9-P   | TPA-B9 | RS          | LS         | MAL               | CPA | MSEAL    | RSEAL     | -  | -  | -  | -  | -  | -  | -  | -  | -  | -  | -  | -  | -  | -  | -  | -  | -  | -  | SALEABLE |          | 345650003 |           |                                     |
|  |                      |                   |             |        |             |            |                   |     |          |           | -  | -  | -  | -  | -  | -  | -  | -  | -  | -  | -  | -  | -  | -  | -  | -  | -  | -  |          |          |           | -         | -                                   |
|  |                      |                   |             |        |             |            |                   |     |          |           |  |    |    |    |    |    |    |    |    |    | -  | -  | -  | -  | -  | -  | -  | -  |          |          |           | -         | -                                   |
| MX123 CONN ASSY 73 CKT GRY OPT0 KEY B/25 | 345661423            | C-HSG-B0          | G-CAP-0-P   | TPA-B0 | RS          | LS         | MAL               | CPA | MSEAL    | RSEAL     | 72   | 71 | 70 | 69 | -  | -  | -  | -  | 64 | 63 | 62 | -  | -  | -  | -  | 56 | 55 | -  | -        | SALEABLE |           | 345650003 |                                     |
|  |                      |                   |             |        |             |            |                   |     |          |           | 52   | -  | -  | -  | -  | -  | -  | -  | 44 | -  | -  | -  | -  | -  | -  | 36 | -  | -  | -        |          |           |           |                                     |
|  |                      |                   |             |        |             |            |                   |     |          |           |  |    |    |    |    |    |    |    |    |    | -  | -  | -  | 29 | 28 | 27 | -  | 25 | -        |          |           |           | -                                   |
| MX123 CONN ASSY 73 CKT GRY OPT0 KEY B/52 | 345661433            | C-HSG-B0          | G-CAP-0-P   | TPA-B0 | RS          | LS         | MAL               | CPA | MSEAL    | RSEAL     | 72   | 71 | 70 | 69 | 68 | 67 | -  | 65 | -  | 63 | 62 | 61 | 60 | -  | 58 | -  | 56 | -  | 54       | -        | SALEABLE  |           | 345650003                           |
|  |                      |                   |             |        |             |            |                   |     |          |           | 52   | 51 | 50 | -  | -  | 47 | -  | 45 | 44 | 43 | 42 | 41 | 40 | -  | 38 | -  | 36 | -  | 34       | -        |           |           |                                     |
|  |                      |                   |             |        |             |            |                   |     |          |           |  |    |    |    |    |    |    |    |    |    | -  | 31 | 30 | -  | 28 | 27 | 26 | 25 | 24       | -        |           |           |                                     |
| MX123 CONN ASSY 73 CKT GRY OPT0 KEY B/51 | 345661443            | C-HSG-B0          | G-CAP-0-P   | TPA-B0 | RS          | LS         | MAL               | CPA | MSEAL    | RSEAL     | 72   | 71 | 70 | -  | -  | 67 | -  | 65 | 64 | 63 | 62 | 61 | 60 | -  | 58 | -  | 56 | -  | 54       | -        | SALEABLE  |           | 345650003                           |
|  |                      |                   |             |        |             |            |                   |     |          |           | 52   | 51 | 50 | -  | -  | 47 | -  | 45 | 44 | 43 | 42 | 41 | 40 | -  | 38 | -  | 36 | -  | 34       | -        |           |           |                                     |
|  |                      |                   |             |        |             |            |                   |     |          |           |  |    |    |    |    |    |    |    |    |    | 32 | 31 | 30 | -  | 28 | 27 | 26 | 25 | 24       | -        |           |           |                                     |
| MX123 CONN ASSY 73 CKT GRY OPT0 KEY B/47 | 345661453            | C-HSG-B0          | G-CAP-0-P   | TPA-B0 | RS          | LS         | MAL               | CPA | MSEAL    | RSEAL     | 72   | 71 | 70 | 69 | 68 | 67 | -  | -  | -  | 63 | -  | 61 | 60 | -  | 58 | -  | 56 | -  | 54       | -        | SALEABLE  |           | 345650003                           |
|  |                      |                   |             |        |             |            |                   |     |          |           | 52   | 51 | 50 | -  | -  | -  | 46 | 45 | -  | 43 | -  | 41 | 40 | -  | 38 | -  | 36 | -  | 34       | -        |           |           |                                     |
|  |                      |                   |             |        |             |            |                   |     |          |           |  |    |    |    |    |    |    |    |    |    | 32 | 31 | 30 | -  | -  | 27 | -  | 25 | 24       | -        |           |           |                                     |
| MX123 CONN ASSY 73 CKT BLK OPT0 KEY A/31 | 345661463            | C-HSG-A0          | G-CAP-0-P   | TPA-A0 | RS          | LS         | MAL               | CPA | MSEAL    | RSEAL     | 72   | 71 | 70 | -  | -  | 67 | 66 | -  | -  | -  | -  | -  | -  | -  | 57 | -  | 55 | 54 | 53       | SALEABLE |           | 345650003 |                                     |
|  |                      |                   |             |        |             |            |                   |     |          |           | -  | 51 | -  | -  | -  | -  | 46 | -  | 44 | 43 | 42 | -  | 40 | 39 | -  | -  | -  | 35 | -        |          |           |           | -                                   |
|  |                      |                   |             |        |             |            |                   |     |          |           |  |    |    |    |    |    |    |    |    |    | -  | -  | -  | -  | -  | -  | 26 | 25 | -        |          |           |           | -                                   |

| ASSEMBLY DESCRIPTION                     | ASSEMBLY PART NUMBER | CONNECTOR HOUSING | GROMMET CAP | TPA    | RIGHT SLIDE | LEFT SLIDE | MATE ASSIST LEVER | CPA | MAT SEAL | RING SEAL | BLOCKED TERMINALS  |    |    |    |    |    |    |    |    |    |    |    |    |    |    |    |    |    | STATUS | COMMENTS | INTEGRAL COMPONENTS SOLD SEPARATELY |           |           |    |
|--|----------------------|-------------------|-------------|--------|-------------|------------|-------------------|-----|----------|-----------|--|----|----|----|----|----|----|----|----|----|----|----|----|----|----|----|----|----|--------|----------|-------------------------------------|-----------|-----------|----|
|  |                      |                   |             |        |             |            |                   |     |          |           | CAVITY WITH A NUMBER INDICATES BLOCKED TERMINAL POSITION |    |    |    |    |    |    |    |    |    |    |    |    |    |    |    |    |    |        |          | DRESS COVER                         |           |           |    |
|  |                      |                   |             |        |             |            |                   |     |          |           | CAVITY WITHOUT A NUMBER INDICATES OPEN TERMINAL POSITION |    |    |    |    |    |    |    |    |    |    |    |    |    |    |    |    |    |        |          |                                     |           |           |    |
| MX123 CONN ASSY 73 CKT BLK OPT0 KEY A/32 | 345661473            | C-HSG-A0          | G-CAP-0-P   | TPA-A0 | RS          | LS         | MAL               | CPA | MSEAL    | RSEAL     | -  | -  | 70 | -  | -  | -  | -  | 65 | -  | -  | -  | 61 | 60 | -  | 58 | 57 | 56 | 55 | -      | -        | SALEABLE                            |           | 345650003 |    |
|  |                      |                   |             |        |             |            |                   |     |          |           | -  | 51 | 50 | -  | -  | 47 | -  | 45 | -  | -  | -  | 41 | 40 | -  | 38 | 37 | 36 | 35 | -      | -        |                                     |           |           |    |
|  |                      |                   |             |        |             |            |                   |     |          |           | -  |    |    |    |    |    |    |    |    |    |    |    |    |    |    |    |    |    | 16     | 15       |                                     |           |           | -  |
| MX123 CONN ASSY 73 CKT BLK OPT0 KEY A/33 | 345661483            | C-HSG-A0          | G-CAP-0-P   | TPA-A0 | RS          | LS         | MAL               | CPA | MSEAL    | RSEAL     | -  | -  | 70 | -  | -  | 67 | 66 | -  | -  | -  | 62 | -  | 60 | -  | -  | 57 | -  | 55 | 54     | 53       | SALEABLE                            |           | 345650003 |    |
|  |                      |                   |             |        |             |            |                   |     |          |           | -  | 51 | -  | -  | 48 | -  | 46 | 45 | 44 | 43 | 42 | -  | 40 | 39 | -  | -  | -  | 35 | -      | -        |                                     |           |           |    |
|  |                      |                   |             |        |             |            |                   |     |          |           | -  |    |    |    |    |    |    |    |    |    |    |    |    |    |    |    |    |    | -      | 15       |                                     |           |           | 14 |
| MX123 CONN ASSY 73 CKT GRY OPT0 KEY B/49 | 345661493            | C-HSG-B0          | G-CAP-0-P   | TPA-B0 | RS          | LS         | MAL               | CPA | MSEAL    | RSEAL     | 72   | 71 | 70 | 69 | -  | 67 | 66 | 65 | 64 | 63 | 62 | 61 | 60 | -  | -  | -  | 56 | -  | 54     | -        | SALEABLE                            |           | 345650003 |    |
|  |                      |                   |             |        |             |            |                   |     |          |           | 52   | 51 | 50 | -  | -  | 47 | -  | 45 | 44 | 43 | 42 | 41 | 40 | -  | -  | -  | 36 | -  | 34     | -        |                                     |           |           |    |
|  |                      |                   |             |        |             |            |                   |     |          |           | -  |    |    |    |    |    |    |    |    |    |    |    |    |    |    |    |    |    | 32     | 31       |                                     |           |           | 30 |
| MX123 CONN ASSY 73 CKT BLU OPT9 KEY C/73 | 345661503            | C-HSG-C9          | G-CAP-9-P   | TPA-C9 | RS          | LS         | MAL               | CPA | MSEAL    | RSEAL     | -  | -  | -  | -  | -  | -  | -  | -  | -  | -  | -  | -  | -  | -  | -  | -  | -  | -  | -      | SALEABLE |                                     | 345650003 |           |    |
|  |                      |                   |             |        |             |            |                   |     |          |           | -  |    |    |    |    |    |    |    |    |    |    |    |    |    |    |    |    |    |        |          |                                     |           |           |    |
|  |                      |                   |             |        |             |            |                   |     |          |           | -  |    |    |    |    |    |    |    |    |    |    |    |    |    |    |    |    |    |        |          |                                     |           |           |    |
| MX123 CONN ASSY 73 CKT GRY OPT0 KEY B/55 | 345661513            | C-HSG-B0          | G-CAP-0-P   | TPA-B0 | RS          | LS         | MAL               | CPA | MSEAL    | RSEAL     | 72   | 71 | 70 | 69 | 68 | 67 | 66 | -  | 64 | 63 | 62 | 61 | 60 | -  | 58 | -  | 56 | -  | 54     | -        | SALEABLE                            |           | 345650003 |    |
|  |                      |                   |             |        |             |            |                   |     |          |           | 52   | 51 | 50 | -  | -  | 47 | -  | 45 | 44 | 43 | 42 | 41 | 40 | -  | 38 | -  | 36 | -  | 34     | -        |                                     |           |           |    |
|  |                      |                   |             |        |             |            |                   |     |          |           | -  |    |    |    |    |    |    |    |    |    |    |    |    |    |    |    |    |    | 32     | 31       |                                     |           |           | 30 |
| MX123 CONN ASSY 73 CKT BLK OPT0 KEY A/34 | 345661523            | C-HSG-A0          | G-CAP-0-P   | TPA-A0 | RS          | LS         | MAL               | CPA | MSEAL    | RSEAL     | 72   | 71 | -  | -  | -  | 67 | 66 | -  | -  | 63 | 62 | 61 | 60 | -  | -  | 57 | -  | 55 | -      | 53       | SALEABLE                            |           | 345650003 |    |
|  |                      |                   |             |        |             |            |                   |     |          |           | -  | 51 | -  | -  | 48 | -  | 46 | 45 | 44 | 43 | -  | -  | 40 | 39 | -  | -  | -  | 35 | -      | 33       |                                     |           |           |    |
|  |                      |                   |             |        |             |            |                   |     |          |           | -  |    |    |    |    |    |    |    |    |    |    |    |    |    |    |    |    |    | -      | 15       |                                     |           |           | 14 |
| MX123 CONN ASSY 73 CKT BLK OPT0 KEY A/28 | 345661533            | C-HSG-A0          | G-CAP-0-P   | TPA-A0 | RS          | LS         | MAL               | CPA | MSEAL    | RSEAL     | -  | -  | -  | -  | -  | 67 | 66 | -  | -  | -  | 62 | -  | 60 | -  | -  | -  | 55 | 54 | 53     | SALEABLE |                                     | 345650003 |           |    |
|  |                      |                   |             |        |             |            |                   |     |          |           | -  | -  | -  | -  | 48 | -  | 46 | 45 | 44 | 43 | 42 | -  | 40 | 39 | -  | -  | -  | 35 | -      |          |                                     |           | -         |    |
|  |                      |                   |             |        |             |            |                   |     |          |           | -  |    |    |    |    |    |    |    |    |    |    |    |    |    |    |    |    |    | -      |          |                                     |           | 15        | 14 |
| MX123 CONN ASSY 73 CKT GRY OPT0 KEY B/53 | 345661543            | C-HSG-B0          | G-CAP-0-P   | TPA-B0 | RS          | LS         | MAL               | CPA | MSEAL    | RSEAL     | 72   | 71 | 70 | -  | -  | 67 | -  | 65 | 64 | 63 | 62 | 61 | 60 | -  | 58 | -  | 56 | -  | 54     | -        | SALEABLE                            |           | 345650003 |    |
|  |                      |                   |             |        |             |            |                   |     |          |           | 52   | 51 | 50 | -  | -  | 47 | -  | 45 | 44 | 43 | 42 | 41 | 40 | -  | 38 | -  | 36 | -  | 34     | -        |                                     |           |           |    |
|  |                      |                   |             |        |             |            |                   |     |          |           | -  |    |    |    |    |    |    |    |    |    |    |    |    |    |    |    |    |    | 32     | 31       |                                     |           |           | 30 |
| MX123 CONN ASSY 73 CKT BLK OPT0 KEY A/73 | 345661553            | C-HSG-A0          | G-CAP-0-P   | TPA-A0 | RS          | LS         | MAL               | CPA | MSEAL    | RSEAL     | 72   | 71 | 70 | 69 | 68 | 67 | 66 | 65 | 64 | 63 | 62 | 61 | 60 | 59 | 58 | 57 | 56 | 55 | 54     | 53       | SALEABLE                            |           | 345650003 |    |
|  |                      |                   |             |        |             |            |                   |     |          |           | 52   | 51 | 50 | 49 | 48 | 47 | 46 | 45 | 44 | 43 | 42 | 41 | 40 | 39 | 38 | 37 | 36 | 35 | 34     | 33       |                                     |           |           |    |
|  |                      |                   |             |        |             |            |                   |     |          |           | -  |    |    |    |    |    |    |    |    |    |    |    |    |    |    |    |    |    | 32     | 31       |                                     |           |           | 30 |
| MX123 CONN ASSY 73 CKT BLK OPT9 KEY A/73 | 345661563            | C-HSG-A9          | G-CAP-9-P   | TPA-A9 | RS          | LS         | MAL               | CPA | MSEAL    | RSEAL     | 72   | 71 | 70 | 69 | 68 | 67 | 66 | 65 | 64 | 63 | 62 | 61 | 60 | 59 | 58 | 57 | 56 | 55 | 54     | 53       | SALEABLE                            |           | 345650003 |    |
|  |                      |                   |             |        |             |            |                   |     |          |           | 52   | 51 | 50 | 49 | 48 | 47 | 46 | 45 | 44 | 43 | 42 | 41 | 40 | 39 | 38 | 37 | 36 | 35 | 34     | 33       |                                     |           |           |    |
|  |                      |                   |             |        |             |            |                   |     |          |           | -  |    |    |    |    |    |    |    |    |    |    |    |    |    |    |    |    |    | 32     | 31       |                                     |           |           | 30 |
| MX123 CONN ASSY 73 CKT BLK OPT0 KEY A/35 | 345661583            | C-HSG-A0          | G-CAP-0-P   | TPA-A0 | RS          | LS         | MAL               | CPA | MSEAL    | RSEAL     | 72   | 71 | -  | 69 | 68 | -  | -  | -  | 64 | 63 | 62 | -  | 60 | 59 | -  | -  | 56 | -  | -      | 53       | SALEABLE                            |           | 345650003 |    |
|  |                      |                   |             |        |             |            |                   |     |          |           | 52   | 51 | 50 | -  | 48 | -  | 46 | -  | -  | -  | -  | 40 | -  | 38 | -  | 36 | 35 | -  | 33     |          |                                     |           |           |    |
|  |                      |                   |             |        |             |            |                   |     |          |           | -  |    |    |    |    |    |    |    |    |    |    |    |    |    |    |    |    |    | -      | 31       |                                     |           |           | -  |
| MX123 CONN ASSY 73 CKT GRY OPT0 KEY B/30 | 345661593            | C-HSG-B0          | G-CAP-0-P   | TPA-B0 | RS          | LS         | MAL               | CPA | MSEAL    | RSEAL     | 72   | 71 | 70 | 69 | 68 | -  | 66 | -  | 64 | 63 | 62 | -  | -  | -  | -  | 56 | 55 | -  | -      | SALEABLE |                                     | 345650003 |           |    |
|  |                      |                   |             |        |             |            |                   |     |          |           | 52   | -  | -  | -  | -  | -  | -  | -  | 44 | -  | -  | 41 | -  | -  | 38 | -  | 36 | 35 | -      |          |                                     |           | -         |    |
|  |                      |                   |             |        |             |            |                   |     |          |           | -  |    |    |    |    |    |    |    |    |    |    |    |    |    |    |    |    |    | -      |          |                                     |           | -         | -  |

| ASSEMBLY DESCRIPTION                     | ASSEMBLY PART NUMBER | CONNECTOR HOUSING | GROMMET CAP | TPA    | RIGHT SLIDE | LEFT SLIDE | MATE ASSIST LEVER | CPA | MAT SEAL | RING SEAL | BLOCKED TERMINALS  |    |    |    |    |    |    |    |    |    |    |    |    |    |    |    |    |    | STATUS | COMMENTS | INTEGRAL COMPONENTS SOLD SEPARATELY |           |           |   |
|--|----------------------|-------------------|-------------|--------|-------------|------------|-------------------|-----|----------|-----------|--|----|----|----|----|----|----|----|----|----|----|----|----|----|----|----|----|----|--------|----------|-------------------------------------|-----------|-----------|---|
|  |                      |                   |             |        |             |            |                   |     |          |           | CAVITY WITH A NUMBER INDICATES BLOCKED TERMINAL POSITION |    |    |    |    |    |    |    |    |    |    |    |    |    |    |    |    |    |        |          | DRESS COVER                         |           |           |   |
|  |                      |                   |             |        |             |            |                   |     |          |           | CAVITY WITHOUT A NUMBER INDICATES OPEN TERMINAL POSITION |    |    |    |    |    |    |    |    |    |    |    |    |    |    |    |    |    |        |          |                                     |           |           |   |
| MX123 CONN ASSY 73 CKT GRY OPT0 KEY B/51 | 345661623            | C-HSG-B0          | G-CAP-0-P   | TPA-B0 | RS          | LS         | MAL               | CPA | MSEAL    | RSEAL     | 72   | 71 | 70 | 69 | 68 | 67 | -  | -  | 64 | 63 | -  | 61 | 60 | -  | 58 | -  | 56 | -  | 54     | -        | SALEABLE                            |           | 345650003 |   |
|  |                      |                   |             |        |             |            |                   |     |          |           | 52   | 51 | 50 | 49 | -  | -  | 46 | 45 | 44 | 43 | -  | 41 | 40 | -  | 38 | -  | 36 | -  | 34     | -        |                                     |           |           |   |
|  |                      |                   |             |        |             |            |                   |     |          |           |  |    |    |    | 32 | 31 | 30 | -  | 28 | 27 | -  | 25 | 24 | -  | 22 | -  | 20 | 19 | 18     | -        |                                     |           |           |   |
|  |                      |                   |             | 16     | 15          | 14         | 13                | -   | 11       | 10        | -  | 8  | -  | 6  | 5  | 4  | 3  | 2  | 1  |    |    |    |    |    |    |    |    |    |        |          |                                     |           |           |   |
| MX123 CONN ASSY 73 CKT GRY OPT0 KEY B/46 | 345661633            | C-HSG-B0          | G-CAP-0-P   | TPA-B0 | RS          | LS         | MAL               | CPA | MSEAL    | RSEAL     | 72   | 71 | 70 | -  | -  | 67 | -  | 65 | 64 | 63 | 62 | 61 | 60 | -  | 58 | -  | 56 | -  | 54     | -        | SALEABLE                            |           | 345650003 |   |
|  |                      |                   |             |        |             |            |                   |     |          |           | 52   | 51 | -  | 49 | -  | -  | 46 | 45 | 44 | 43 | 42 | 41 | 40 | -  | 38 | -  | 36 | -  | 34     | -        |                                     |           |           |   |
|  |                      |                   |             |        |             |            |                   |     |          |           |  |    |    |    | 32 | 31 | 30 | -  | 28 | 27 | 26 | 25 | 24 | -  | 22 | -  | 20 | 19 | 18     | -        |                                     |           |           |   |
|  |                      |                   |             | 16     | -           | 14         | 13                | -   | -        | -         | 9  | 8  | -  | -  | -  | -  | -  | -  | 2  | 1  |    |    |    |    |    |    |    |    |        |          |                                     |           |           |   |
| MX123 CONN ASSY 73 CKT GRY OPT0 KEY B/46 | 345661643            | C-HSG-B0          | G-CAP-0-P   | TPA-B0 | RS          | LS         | MAL               | CPA | MSEAL    | RSEAL     | 72   | 71 | 70 | -  | -  | 67 | -  | 65 | 64 | 63 | 62 | 61 | 60 | -  | 58 | -  | 56 | -  | 54     | -        | SALEABLE                            |           | 345650003 |   |
|  |                      |                   |             |        |             |            |                   |     |          |           | 52   | 51 | -  | 49 | -  | -  | 47 | -  | 45 | 44 | 43 | 42 | 41 | 40 | -  | 38 | -  | 36 | -      | 34       |                                     |           |           | - |
|  |                      |                   |             |        |             |            |                   |     |          |           |  |    |    |    | 32 | 31 | 30 | -  | 28 | 27 | 26 | 25 | 24 | -  | 22 | -  | 20 | 19 | 18     | -        |                                     |           |           |   |
|  |                      |                   |             | 16     | -           | 14         | 13                | -   | -        | -         | 9  | 8  | -  | -  | -  | -  | -  | -  | 2  | 1  |    |    |    |    |    |    |    |    |        |          |                                     |           |           |   |
| MX123 CONN ASSY 73 CKT GRY OPT0 KEY B/50 | 345661653            | C-HSG-B0          | G-CAP-0-P   | TPA-B0 | RS          | LS         | MAL               | CPA | MSEAL    | RSEAL     | 72   | 71 | 70 | 69 | 68 | 67 | -  | 65 | 64 | 63 | 62 | 61 | 60 | -  | 58 | -  | 56 | -  | 54     | -        | SALEABLE                            |           | 345650003 |   |
|  |                      |                   |             |        |             |            |                   |     |          |           | 52   | 51 | -  | 49 | -  | -  | 47 | -  | 45 | 44 | 43 | 42 | 41 | 40 | -  | 38 | -  | 36 | -      | 34       |                                     |           |           | - |
|  |                      |                   |             |        |             |            |                   |     |          |           |  |    |    |    | 32 | 31 | 30 | -  | 28 | 27 | 26 | 25 | 24 | -  | 22 | -  | 20 | 19 | 18     | -        |                                     |           |           |   |
|  |                      |                   |             | 16     | -           | 14         | 13                | -   | 11       | 10        | 9  | 8  | -  | -  | -  | -  | -  | -  | 2  | 1  |    |    |    |    |    |    |    |    |        |          |                                     |           |           |   |
| MX123 CONN ASSY 73 CKT GRY OPT0 KEY B/52 | 345661663            | C-HSG-B0          | G-CAP-0-P   | TPA-B0 | RS          | LS         | MAL               | CPA | MSEAL    | RSEAL     | 72   | 71 | 70 | 69 | 68 | 67 | -  | 65 | 64 | 63 | 62 | 61 | 60 | -  | 58 | -  | 56 | -  | 54     | -        | SALEABLE                            |           | 345650003 |   |
|  |                      |                   |             |        |             |            |                   |     |          |           | 52   | 51 | -  | 49 | -  | -  | 47 | -  | 45 | 44 | 43 | 42 | 41 | 40 | -  | 38 | -  | 36 | -      | 34       |                                     |           |           | - |
|  |                      |                   |             |        |             |            |                   |     |          |           |  |    |    |    | 32 | 31 | 30 | -  | 28 | 27 | 26 | 25 | 24 | -  | 22 | -  | 20 | 19 | 18     | 17       |                                     |           |           |   |
|  |                      |                   |             | 16     | -           | 14         | 13                | 12  | 11       | 10        | 9  | 8  | -  | -  | -  | -  | -  | -  | 2  | 1  |    |    |    |    |    |    |    |    |        |          |                                     |           |           |   |
| MX123 CONN ASSY 73 CKT BLK OPT0 KEY A/22 | 345661673            | C-HSG-A0          | G-CAP-0-P   | TPA-A0 | RS          | LS         | MAL               | CPA | MSEAL    | RSEAL     | -  | -  | -  | -  | -  | -  | -  | -  | -  | -  | -  | 61 | -  | -  | 58 | 57 | 56 | -  | -      | -        | SALEABLE                            |           | 345650003 |   |
|  |                      |                   |             |        |             |            |                   |     |          |           | -  | 51 | 50 | -  | -  | 47 | 46 | -  | -  | -  | -  | -  | -  | -  | -  | 38 | 37 | 36 | -      | -        |                                     |           |           | - |
|  |                      |                   |             |        |             |            |                   |     |          |           |  |    |    |    | -  | 31 | 30 | -  | 28 | -  | 26 | -  | -  | -  | -  | 22 | 21 | 20 | -      | -        |                                     |           |           | - |
|  |                      |                   |             | -      | 15          | 14         | -                 | -   | -        | 10        | -  | -  | -  | -  | -  | -  | -  | -  | -  | -  | -  |    |    |    |    |    |    |    |        |          |                                     |           |           |   |
| MX123 CONN ASSY 73 CKT GRY OPT0 KEY B/39 | 345661683            | C-HSG-B0          | G-CAP-0-P   | TPA-B0 | RS          | LS         | MAL               | CPA | MSEAL    | RSEAL     | 72   | 71 | 70 | 69 | 68 | -  | -  | 65 | 64 | -  | 62 | 61 | 60 | -  | -  | -  | -  | -  | 54     | -        | SALEABLE                            |           | 345650003 |   |
|  |                      |                   |             |        |             |            |                   |     |          |           | 52   | 51 | -  | -  | -  | 47 | 46 | 45 | 44 | -  | 42 | 41 | 40 | -  | -  | -  | -  | -  | 34     | -        |                                     |           |           |   |
|  |                      |                   |             |        |             |            |                   |     |          |           |  |    |    |    | 32 | 31 | 30 | -  | 28 | -  | 26 | 25 | 24 | -  | -  | -  | 20 | 19 | 18     | 17       |                                     |           |           |   |
|  |                      |                   |             | -      | -           | -          | -                 | 12  | 11       | 10        | 9  | -  | -  | -  | -  | -  | -  | -  | 2  | 1  |    |    |    |    |    |    |    |    |        |          |                                     |           |           |   |
| MX123 CONN ASSY 73 CKT GRY OPT0 KEY B/53 | 345661693            | C-HSG-B0          | G-CAP-0-P   | TPA-B0 | RS          | LS         | MAL               | CPA | MSEAL    | RSEAL     | 72   | 71 | 70 | 69 | 68 | 67 | -  | 65 | -  | 63 | 62 | 61 | 60 | -  | 58 | -  | 56 | -  | 54     | -        | SALEABLE                            |           | 345650003 |   |
|  |                      |                   |             |        |             |            |                   |     |          |           | 52   | 51 | 50 | -  | -  | 47 | -  | 45 | 44 | 43 | 42 | 41 | 40 | -  | 38 | -  | 36 | -  | 34     | -        |                                     |           |           |   |
|  |                      |                   |             |        |             |            |                   |     |          |           |  |    |    |    | -  | 31 | 30 | -  | 28 | 27 | 26 | 25 | 24 | -  | 22 | -  | 20 | 19 | 18     | -        |                                     |           |           |   |
|  |                      |                   |             | 16     | 15          | 14         | 13                | -   | 11       | 10        | 9  | 8  | -  | 6  | 5  | 4  | 3  | 2  | 1  |    |    |    |    |    |    |    |    |    |        |          |                                     |           |           |   |
| MX123 CONN ASSY 73 CKT GRY OPT0 KEY B/21 | 345661713            | C-HSG-B0          | G-CAP-0-P   | TPA-B0 | RS          | LS         | MAL               | CPA | MSEAL    | RSEAL     | 72   | -  | -  | 69 | -  | 67 | -  | -  | -  | -  | 62 | 61 | -  | -  | -  | -  | -  | -  | -      | SALEABLE |                                     | 345650003 |           |   |
|  |                      |                   |             |        |             |            |                   |     |          |           | 52   | -  | -  | -  | -  | 47 | -  | -  | 44 | -  | 42 | -  | -  | -  | -  | -  | -  | 34 | -      |          |                                     |           |           |   |
|  |                      |                   |             |        |             |            |                   |     |          |           |  |    |    |    | -  | -  | -  | 29 | 28 | 27 | 26 | 25 | -  | -  | -  | 21 | -  | -  | 18     |          |                                     |           | 17        |   |
|  |                      |                   |             | -      | -           | 14         | -                 | -   | -        | -         | -  | -  | -  | -  | -  | -  | -  | -  | -  | 1  |    |    |    |    |    |    |    |    |        |          |                                     |           |           |   |
| MX123 CONN ASSY 73 CKT GRY OPT0 KEY B/28 | 345661723            | C-HSG-B0          | G-CAP-0-P   | TPA-B0 | RS          | LS         | MAL               | CPA | MSEAL    | RSEAL     | 72   | -  | -  | 69 | -  | 67 | -  | -  | 64 | 63 | 62 | 61 | -  | -  | -  | -  | 56 | 55 | -      | -        | SALEABLE                            |           | 345650003 |   |
|  |                      |                   |             |        |             |            |                   |     |          |           | 52   | -  | -  | -  | -  | 47 | -  | -  | 44 | -  | 42 | -  | -  | -  | -  | -  | -  | 34 | -      |          |                                     |           |           |   |
|  |                      |                   |             |        |             |            |                   |     |          |           |  |    |    |    | -  | -  | -  | 29 | 28 | 27 | 26 | 25 | -  | -  | -  | 21 | -  | 19 | 18     | 17       |                                     |           |           |   |
|  |                      |                   |             | -      | -           | 14         | -                 | -   | -        | -         | -  | -  | -  | -  | -  | -  | -  | 3  | 2  | 1  |    |    |    |    |    |    |    |    |        |          |                                     |           |           |   |
| MX123 CONN ASSY 73 CKT BLK OPT0 KEY A/35 | 345661733            | C-HSG-A0          | G-CAP-0-P   | TPA-A0 | RS          | LS         | MAL               | CPA | MSEAL    | RSEAL     | 72   | 71 | -  | 69 | -  | -  | -  | -  | 64 | 63 | 62 | 61 | 60 | 59 | -  | -  | 56 | -  | 54     | 53       | SALEABLE                            |           | 345650003 |   |
|  |                      |                   |             |        |             |            |                   |     |          |           | 52   | 51 | 50 | -  | 48 | -  | 46 | 45 | -  | -  | -  | -  | 40 | -  | 38 | -  | 36 | -  | 34     | 33       |                                     |           |           |   |
|  |                      |                   |             |        |             |            |                   |     |          |           |  |    |    |    | -  | 31 | -  | 29 | 28 | -  | 26 | -  | -  | 23 | 22 | -  | -  | -  | -      | -        |                                     |           |           |   |
|  |                      |                   |             | -      | -           | 14         | -                 | 12  | 11       | -         | -  | -  | 7  | -  | -  | 4  | -  | -  | -  | -  |    |    |    |    |    |    |    |    |        |          |                                     |           |           |   |
| MX123 CONN ASSY 73 CKT BLK OPT0 KEY A/36 | 345661743            | C-HSG-A0          | G-CAP-0-P   | TPA-A0 | RS          | LS         | MAL               | CPA | MSEAL    | RSEAL     | 72   | 71 | -  | 69 | 68 | -  | -  | -  | 64 | 63 | 62 | 61 | 60 | 59 | -  | -  | 56 | -  | 54     | 53       | SALEABLE                            |           | 345650003 |   |
|  |                      |                   |             |        |             |            |                   |     |          |           | 52   | 51 | 50 | -  | 48 | -  | 46 | 45 | -  | -  | -  | -  | 40 | -  | 38 | -  | 36 | -  | 34     | 33       |                                     |           |           |   |
|  |                      |                   |             |        |             |            |                   |     |          |           |  |    |    |    | -  | 31 | -  | 29 | 28 | -  | 26 | -  | -  | 23 | 22 | -  | -  | -  | -      | -        |                                     |           |           |   |
|  |                      |                   |             | -      | -           | 14         | -                 | 12  | 11       | -         | -  | -  | 7  | -  | -  | 4  | -  | -  | -  | -  |    |    |    |    |    |    |    |    |        |          |                                     |           |           |   |

| ASSEMBLY DESCRIPTION                     | ASSEMBLY PART NUMBER | CONNECTOR HOUSING | GROMMET CAP | TPA    | RIGHT SLIDE | LEFT SLIDE | MATE ASSIST LEVER | CPA | MAT SEAL | RING SEAL | BLOCKED TERMINALS  |    |    |    |    |    |    |    |    |    |    |    |    |    |    |    |    |    |    |          | STATUS   | COMMENTS  | INTEGRAL COMPONENTS SOLD SEPARATELY |
|--|----------------------|-------------------|-------------|--------|-------------|------------|-------------------|-----|----------|-----------|--|----|----|----|----|----|----|----|----|----|----|----|----|----|----|----|----|----|----|----------|----------|-----------|-------------------------------------|
|  |                      |                   |             |        |             |            |                   |     |          |           | CAVITY WITH A NUMBER INDICATES BLOCKED TERMINAL POSITION |    |    |    |    |    |    |    |    |    |    |    |    |    |    |    |    |    |    |          |          |           | DRESS COVER                         |
|  |                      |                   |             |        |             |            |                   |     |          |           | CAVITY WITHOUT A NUMBER INDICATES OPEN TERMINAL POSITION |    |    |    |    |    |    |    |    |    |    |    |    |    |    |    |    |    |    |          |          |           |                                     |
| MX123 CONN ASSY 73 CKT BLK OPT0 KEY A/40 | 345661753            | C-HSG-A0          | G-CAP-0-P   | TPA-A0 | RS          | LS         | MAL               | CPA | MSEAL    | RSEAL     | 72   | 71 | -  | 69 | 68 | -  | -  | -  | 64 | 63 | 62 | 61 | 60 | 59 | -  | -  | 56 | -  | 54 | 53       | SALEABLE |           | 345650003                           |
|  |                      |                   |             |        |             |            |                   |     |          |           | 52   | 51 | 50 | -  | 48 | -  | 46 | 45 | -  | -  | -  | -  | 40 | -  | 38 | -  | 36 | -  | 34 | 33       |          |           |                                     |
|  |                      |                   |             |        |             |            |                   |     |          |           |  |    |    |    | -  | 31 | 30 | 29 | 28 | -  | 26 | -  | -  | 23 | 22 | -  | -  | -  | -  | -        |          |           |                                     |
| MX123 CONN ASSY 73 CKT GRY OPT0 KEY B/31 | 345661763            | C-HSG-B0          | G-CAP-0-P   | TPA-B0 | RS          | LS         | MAL               | CPA | MSEAL    | RSEAL     | 72   | 71 | 70 | 69 | 68 | -  | 66 | -  | 64 | 63 | 62 | -  | -  | -  | -  | 56 | 55 | -  | -  | SALEABLE |          | 345650003 |                                     |
|  |                      |                   |             |        |             |            |                   |     |          |           | 52   | -  | -  | -  | -  | -  | -  | -  | 44 | -  | 42 | 41 | -  | -  | 38 | -  | 36 | 35 | -  |          |          |           | -                                   |
|  |                      |                   |             |        |             |            |                   |     |          |           |  |    |    |    | -  | -  | -  | 29 | 28 | 27 | -  | 25 | -  | -  | -  | -  | -  | 19 | 18 |          |          |           | 17                                  |
| MX123 CONN ASSY 73 CKT BLU OPT0 KEY C/41 | 345661773            | C-HSG-C0          | G-CAP-0-P   | TPA-C0 | RS          | LS         | MAL               | CPA | MSEAL    | RSEAL     | -  | 71 | -  | 69 | 68 | -  | -  | 65 | 64 | -  | -  | 61 | 60 | -  | 58 | -  | 56 | 55 | 54 | -        | SALEABLE |           | 345650003                           |
|  |                      |                   |             |        |             |            |                   |     |          |           | -  | -  | 50 | 49 | 48 | 47 | -  | 45 | -  | 43 | -  | 41 | -  | -  | 38 | 37 | 36 | 35 | -  | -        |          |           |                                     |
|  |                      |                   |             |        |             |            |                   |     |          |           |  |    |    |    | 32 | 31 | -  | 29 | 28 | -  | -  | -  | 24 | 23 | -  | -  | -  | 19 | 18 | 17       |          |           |                                     |
| MX123 CONN ASSY 73 CKT BLU OPT0 KEY C/42 | 345661783            | C-HSG-C0          | G-CAP-0-P   | TPA-C0 | RS          | LS         | MAL               | CPA | MSEAL    | RSEAL     | -  | 71 | -  | 69 | 68 | -  | -  | 65 | 64 | -  | -  | 61 | 60 | -  | 58 | -  | 56 | 55 | 54 | -        | SALEABLE |           | 345650003                           |
|  |                      |                   |             |        |             |            |                   |     |          |           | -  | -  | 50 | 49 | 48 | 47 | -  | 45 | -  | 43 | -  | 41 | -  | -  | 38 | 37 | 36 | 35 | -  | -        |          |           |                                     |
|  |                      |                   |             |        |             |            |                   |     |          |           |  |    |    |    | 32 | 31 | -  | 29 | 28 | 27 | -  | -  | 24 | 23 | -  | -  | -  | 19 | 18 | 17       |          |           |                                     |
| MX123 CONN ASSY 73 CKT BLK OPT0 KEY A/38 | 345661793            | C-HSG-A0          | G-CAP-0-P   | TPA-A0 | RS          | LS         | MAL               | CPA | MSEAL    | RSEAL     | 72   | 71 | 70 | -  | 68 | 67 | 66 | 65 | 64 | -  | -  | -  | 60 | 59 | -  | -  | -  | -  | -  | -        | SALEABLE |           | 345650003                           |
|  |                      |                   |             |        |             |            |                   |     |          |           | -  | -  | 50 | -  | 48 | 47 | 46 | 45 | -  | 43 | -  | 41 | -  | -  | 38 | 37 | 36 | 35 | -  | -        |          |           |                                     |
|  |                      |                   |             |        |             |            |                   |     |          |           |  |    |    |    | -  | 31 | 30 | -  | -  | -  | -  | 25 | 24 | 23 | 22 | 21 | 20 | -  | -  | 17       |          |           |                                     |
| MX123 CONN ASSY 73 CKT NAT OPT9 KEY F/73 | 345661803            | C-HSG-F9          | G-CAP-9-P   | TPA-F9 | RS          | LS         | MAL               | CPA | MSEAL    | RSEAL     | -  | -  | -  | -  | -  | -  | -  | -  | -  | -  | -  | -  | -  | -  | -  | -  | -  | -  | -  | SALEABLE |          | 345650003 |                                     |
|  |                      |                   |             |        |             |            |                   |     |          |           | -  | -  | -  | -  | -  | -  | -  | -  | -  | -  | -  | -  | -  | -  | -  | -  | -  | -  | -  |          |          |           | -                                   |
|  |                      |                   |             |        |             |            |                   |     |          |           |  |    |    |    | -  | -  | -  | -  | -  | -  | -  | -  | -  | -  | -  | -  | -  | -  | -  |          |          |           | -                                   |
| MX123 CONN ASSY 73 CKT GRY OPT0 KEY B/24 | 345661813            | C-HSG-B0          | G-CAP-0-P   | TPA-B0 | RS          | LS         | MAL               | CPA | MSEAL    | RSEAL     | -  | -  | -  | 69 | -  | -  | -  | 65 | 64 | 63 | -  | -  | -  | -  | -  | -  | -  | -  | -  | SALEABLE |          | 345650003 |                                     |
|  |                      |                   |             |        |             |            |                   |     |          |           | -  | -  | -  | 49 | -  | -  | -  | 45 | 44 | 43 | -  | -  | -  | -  | -  | -  | -  | -  | -  |          |          |           | -                                   |
|  |                      |                   |             |        |             |            |                   |     |          |           |  |    |    |    | -  | -  | -  | -  | -  | -  | -  | -  | -  | -  | 22 | 21 | 20 | 19 | 18 |          |          |           | 17                                  |
| MX123 CONN ASSY 73 CKT BLK OPT0 KEY A/25 | 345661823            | C-HSG-A0          | G-CAP-0-P   | TPA-A0 | RS          | LS         | MAL               | CPA | MSEAL    | RSEAL     | -  | -  | -  | -  | -  | 67 | -  | -  | -  | 63 | 62 | -  | 60 | -  | -  | 57 | -  | 55 | -  | -        | SALEABLE |           | 345650003                           |
|  |                      |                   |             |        |             |            |                   |     |          |           | -  | 51 | -  | -  | 48 | -  | 46 | 45 | 44 | 43 | -  | 40 | 39 | -  | -  | -  | 35 | -  | -  |          |          |           |                                     |
|  |                      |                   |             |        |             |            |                   |     |          |           |  |    |    |    | -  | 15 | 14 | -  | -  | -  | -  | -  | -  | 7  | 6  | 5  | 4  | 3  | 2  | -        |          |           |                                     |
| MX123 CONN ASSY 73 CKT BLK OPT0 KEY A/38 | 345661833            | C-HSG-A0          | G-CAP-0-P   | TPA-A0 | RS          | LS         | MAL               | CPA | MSEAL    | RSEAL     | 72   | 71 | 70 | 69 | -  | 67 | 66 | -  | 64 | -  | 62 | -  | 60 | -  | -  | 57 | -  | 55 | 54 | 53       | SALEABLE |           | 345650003                           |
|  |                      |                   |             |        |             |            |                   |     |          |           | -  | 51 | -  | 49 | 48 | -  | 46 | 45 | 44 | 43 | 42 | -  | 40 | 39 | -  | -  | -  | 35 | -  | -        |          |           |                                     |
|  |                      |                   |             |        |             |            |                   |     |          |           |  |    |    |    | -  | -  | -  | -  | -  | -  | 26 | -  | -  | 22 | 21 | -  | -  | -  | -  | -        |          |           |                                     |
| MX123 CONN ASSY 73 CKT BLK OPT0 KEY A/33 | 345661843            | C-HSG-A0          | G-CAP-0-P   | TPA-A0 | RS          | LS         | MAL               | CPA | MSEAL    | RSEAL     | 72   | 71 | 70 | 69 | -  | 67 | 66 | -  | 64 | -  | 62 | -  | 60 | -  | -  | 57 | -  | 55 | 54 | -        | SALEABLE |           | 345650003                           |
|  |                      |                   |             |        |             |            |                   |     |          |           | -  | 51 | -  | 49 | 48 | -  | 46 | 45 | 44 | 43 | 42 | -  | 40 | 39 | -  | -  | -  | -  | -  | -        |          |           |                                     |
|  |                      |                   |             |        |             |            |                   |     |          |           |  |    |    |    | -  | -  | -  | -  | -  | -  | 26 | 25 | -  | -  | -  | -  | -  | -  | -  | -        |          |           |                                     |
| MX123 CONN ASSY 73 CKT BLK OPT0 KEY A/22 | 345661853            | C-HSG-A0          | G-CAP-0-P   | TPA-A0 | RS          | LS         | MAL               | CPA | MSEAL    | RSEAL     | -  | 71 | -  | -  | -  | -  | 66 | -  | 64 | -  | 62 | -  | -  | 59 | 58 | -  | -  | -  | -  | -        | SALEABLE |           | 345650003                           |
|  |                      |                   |             |        |             |            |                   |     |          |           | -  | 51 | -  | -  | -  | -  | 46 | 45 | -  | 42 | -  | -  | 39 | 38 | -  | -  | -  | -  | -  | -        |          |           |                                     |
|  |                      |                   |             |        |             |            |                   |     |          |           |  |    |    |    | 32 | 31 | -  | -  | -  | 27 | 26 | -  | -  | 23 | 22 | -  | -  | -  | -  | -        |          |           |                                     |
| MX123 CONN ASSY 73 CKT GRY OPT0 KEY B/56 | 345661863            | C-HSG-B0          | G-CAP-0-P   | TPA-B0 | RS          | LS         | MAL               | CPA | MSEAL    | RSEAL     | 72   | 71 | 70 | 69 | -  | -  | -  | -  | -  | 62 | 61 | 60 | 59 | 58 | 57 | 56 | 55 | 54 | 53 | SALEABLE |          | 345650003 |                                     |
|  |                      |                   |             |        |             |            |                   |     |          |           | 52   | 51 | 50 | 49 | 48 | 47 | -  | -  | 44 | -  | 42 | 41 | 40 | 39 | 38 | 37 | 36 | 35 | 34 |          |          |           | 33                                  |
|  |                      |                   |             |        |             |            |                   |     |          |           |  |    |    |    | -  | 31 | -  | -  | -  | 26 | 25 | 24 | 23 | 22 | 21 | 20 | 19 | 18 | -  |          |          |           |                                     |

| ASSEMBLY DESCRIPTION                     | ASSEMBLY PART NUMBER | CONNECTOR HOUSING | GROMMET CAP | TPA    | RIGHT SLIDE | LEFT SLIDE | MATE ASSIST LEVER | CPA | MAT SEAL | RING SEAL | BLOCKED TERMINALS  |    |    |    |    |    |    |    |    |    |    |    |    |    |    |    |    |    | STATUS | COMMENTS | INTEGRAL COMPONENTS SOLD SEPARATELY |
|--|----------------------|-------------------|-------------|--------|-------------|------------|-------------------|-----|----------|-----------|--|----|----|----|----|----|----|----|----|----|----|----|----|----|----|----|----|----|--------|----------|-------------------------------------|
|  |                      |                   |             |        |             |            |                   |     |          |           | CAVITY WITH A NUMBER INDICATES BLOCKED TERMINAL POSITION |    |    |    |    |    |    |    |    |    |    |    |    |    |    |    |    |    |        |          | DRESS COVER                         |
|  |                      |                   |             |        |             |            |                   |     |          |           | CAVITY WITHOUT A NUMBER INDICATES OPEN TERMINAL POSITION |    |    |    |    |    |    |    |    |    |    |    |    |    |    |    |    |    |        |          |                                     |
| MX123 CONN ASSY 73 CKT BLU OPT0 KEY C/40 | 345661873            | C-HSG-C0          | G-CAP-0-P   | TPA-C0 | RS          | LS         | MAL               | CPA | MSEAL    | RSEAL     | -  | 71 | -  | 69 | 68 | -  | -  | 65 | 64 | -  | -  | 61 | 60 | -  | 58 | -  | 56 | 55 | 54     | -        |                                     |
|  |                      |                   |             |        |             |            |                   |     |          |           | -  | -  | 50 | 49 | 48 | 47 | -  | 45 | -  | 43 | -  | 41 | -  | -  | 38 | 37 | 36 | 35 | -      | -        |                                     |
|  |                      |                   |             |        |             |            |                   |     |          |           | -  |    |    |    |    |    |    |    |    |    |    |    |    |    |    |    |    |    |        |          |                                     |
|  |                      |                   |             |        |             |            |                   |     |          |           | -  |    |    |    |    |    |    |    |    |    |    |    |    |    |    |    |    |    |        |          |                                     |
| MX123 CONN ASSY 73 CKT BLK OPT0 KEY A/34 | 345661883            | C-HSG-A0          | G-CAP-0-P   | TPA-A0 | RS          | LS         | MAL               | CPA | MSEAL    | RSEAL     | 72   | 71 | -  | 69 | -  | -  | -  | -  | 64 | 63 | 62 | 61 | 60 | 59 | -  | -  | 56 | -  | 54     | 53       |                                     |
|  |                      |                   |             |        |             |            |                   |     |          |           | 52   | 51 | 50 | -  | 48 | -  | 46 | 45 | -  | -  | -  | -  | -  | -  | 38 | -  | 36 | -  | 34     | 33       |                                     |
|  |                      |                   |             |        |             |            |                   |     |          |           | -  |    |    |    |    |    |    |    |    |    |    |    |    |    |    |    |    |    |        |          |                                     |
|  |                      |                   |             |        |             |            |                   |     |          |           | -  |    |    |    |    |    |    |    |    |    |    |    |    |    |    |    |    |    |        |          |                                     |
| MX123 CONN ASSY 73 CKT BLU OPT0 KEY C/42 | 345661893            | C-HSG-C0          | G-CAP-0-P   | TPA-C0 | RS          | LS         | MAL               | CPA | MSEAL    | RSEAL     | -  | 71 | -  | 69 | 68 | 67 | -  | 65 | 64 | -  | 62 | 61 | 60 | -  | 58 | -  | 56 | 55 | 54     | -        |                                     |
|  |                      |                   |             |        |             |            |                   |     |          |           | -  | -  | 50 | 49 | 48 | 47 | -  | 45 | -  | 43 | -  | 41 | -  | -  | 38 | 37 | 36 | 35 | -      | -        |                                     |
|  |                      |                   |             |        |             |            |                   |     |          |           | -  |    |    |    |    |    |    |    |    |    |    |    |    |    |    |    |    |    |        |          |                                     |
|  |                      |                   |             |        |             |            |                   |     |          |           | -  |    |    |    |    |    |    |    |    |    |    |    |    |    |    |    |    |    |        |          |                                     |
| MX123 CONN ASSY 73 CKT GRY OPT0 KEY B/42 | 345661913            | C-HSG-B0          | G-CAP-0-P   | TPA-B0 | RS          | LS         | MAL               | CPA | MSEAL    | RSEAL     | -  | 71 | -  | 69 | -  | 67 | -  | 65 | 64 | 63 | 62 | 61 | -  | -  | 58 | 57 | 56 | -  | -      | -        |                                     |
|  |                      |                   |             |        |             |            |                   |     |          |           | -  | 51 | -  | 49 | -  | 47 | -  | 45 | 44 | 43 | 42 | 41 | -  | -  | 38 | 37 | 36 | -  | -      | -        |                                     |
|  |                      |                   |             |        |             |            |                   |     |          |           | -  |    |    |    |    |    |    |    |    |    |    |    |    |    |    |    |    |    |        |          |                                     |
|  |                      |                   |             |        |             |            |                   |     |          |           | -  |    |    |    |    |    |    |    |    |    |    |    |    |    |    |    |    |    |        |          |                                     |
| MX123 CONN ASSY 73 CKT BLK OPT0 KEY A/46 | 345661923            | C-HSG-A0          | G-CAP-0-P   | TPA-A0 | RS          | LS         | MAL               | CPA | MSEAL    | RSEAL     | 72   | 71 | 70 | -  | 68 | 67 | 66 | 65 | 64 | -  | 62 | 61 | 60 | 59 | -  | 57 | -  | -  | -      | -        |                                     |
|  |                      |                   |             |        |             |            |                   |     |          |           | -  | -  | 50 | -  | 48 | 47 | 46 | 45 | -  | -  | -  | -  | 40 | 39 | 38 | 37 | -  | -  | -      | -        |                                     |
|  |                      |                   |             |        |             |            |                   |     |          |           | -  |    |    |    |    |    |    |    |    |    |    |    |    |    |    |    |    |    |        |          |                                     |
|  |                      |                   |             |        |             |            |                   |     |          |           | -  |    |    |    |    |    |    |    |    |    |    |    |    |    |    |    |    |    |        |          |                                     |
| MX123 CONN ASSY 73 CKT BLK OPT0 KEY A/35 | 345661933            | C-HSG-A0          | G-CAP-0-P   | TPA-A0 | RS          | LS         | MAL               | CPA | MSEAL    | RSEAL     | 72   | 71 | -  | 69 | 68 | -  | -  | -  | 64 | 63 | 62 | 61 | 60 | 59 | -  | -  | 56 | -  | 54     | 53       |                                     |
|  |                      |                   |             |        |             |            |                   |     |          |           | 52   | 51 | 50 | -  | 48 | -  | 46 | 45 | -  | -  | -  | -  | -  | -  | 38 | -  | 36 | -  | 34     | 33       |                                     |
|  |                      |                   |             |        |             |            |                   |     |          |           | -  |    |    |    |    |    |    |    |    |    |    |    |    |    |    |    |    |    |        |          |                                     |
|  |                      |                   |             |        |             |            |                   |     |          |           | -  |    |    |    |    |    |    |    |    |    |    |    |    |    |    |    |    |    |        |          |                                     |
| MX123 CONN ASSY 73 CKT BLK OPT0 KEY A/34 | 345661943            | C-HSG-A0          | G-CAP-0-P   | TPA-A0 | RS          | LS         | MAL               | CPA | MSEAL    | RSEAL     | 72   | 71 | -  | 69 | 68 | -  | -  | -  | 64 | 63 | 62 | 61 | 60 | 59 | -  | -  | 56 | -  | 54     | 53       |                                     |
|  |                      |                   |             |        |             |            |                   |     |          |           | 52   | -  | 50 | -  | 48 | -  | 46 | 45 | -  | -  | -  | -  | -  | -  | 38 | -  | 36 | -  | 34     | 33       |                                     |
|  |                      |                   |             |        |             |            |                   |     |          |           | -  |    |    |    |    |    |    |    |    |    |    |    |    |    |    |    |    |    |        |          |                                     |
|  |                      |                   |             |        |             |            |                   |     |          |           | -  |    |    |    |    |    |    |    |    |    |    |    |    |    |    |    |    |    |        |          |                                     |
| MX123 CONN ASSY 73 CKT BLU OPT0 KEY C/42 | 345661953            | C-HSG-C0          | G-CAP-0-P   | TPA-C0 | RS          | LS         | MAL               | CPA | MSEAL    | RSEAL     | -  | 71 | -  | 69 | 68 | 67 | -  | 65 | 64 | -  | 62 | 61 | 60 | -  | 58 | -  | 56 | 55 | 54     | -        |                                     |
|  |                      |                   |             |        |             |            |                   |     |          |           | -  | -  | 50 | 49 | -  | -  | -  | 45 | -  | 43 | -  | 41 | -  | -  | 38 | 37 | 36 | 35 | -      | -        |                                     |
|  |                      |                   |             |        |             |            |                   |     |          |           | -  |    |    |    |    |    |    |    |    |    |    |    |    |    |    |    |    |    |        |          |                                     |
|  |                      |                   |             |        |             |            |                   |     |          |           | -  |    |    |    |    |    |    |    |    |    |    |    |    |    |    |    |    |    |        |          |                                     |
| MX123 CONN ASSY 73 CKT BLU OPT0 KEY C/44 | 345661963            | C-HSG-C0          | G-CAP-0-P   | TPA-C0 | RS          | LS         | MAL               | CPA | MSEAL    | RSEAL     | -  | 71 | -  | 69 | 68 | 67 | -  | 65 | 64 | -  | 62 | 61 | 60 | -  | 58 | -  | 56 | 55 | 54     | -        |                                     |
|  |                      |                   |             |        |             |            |                   |     |          |           | -  | -  | 50 | 49 | 48 | 47 | -  | 45 | -  | 43 | -  | 41 | -  | -  | 38 | 37 | 36 | 35 | -      | -        |                                     |
|  |                      |                   |             |        |             |            |                   |     |          |           | -  |    |    |    |    |    |    |    |    |    |    |    |    |    |    |    |    |    |        |          |                                     |
|  |                      |                   |             |        |             |            |                   |     |          |           | -  |    |    |    |    |    |    |    |    |    |    |    |    |    |    |    |    |    |        |          |                                     |
| MX123 CONN ASSY 73 CKT BLK OPT0 KEY A/43 | 345661973            | C-HSG-A0          | G-CAP-0-P   | TPA-A0 | RS          | LS         | MAL               | CPA | MSEAL    | RSEAL     | 72   | 71 | 70 | -  | 68 | 67 | 66 | 65 | 64 | -  | 62 | 61 | 60 | 59 | 58 | 57 | -  | -  | -      | -        |                                     |
|  |                      |                   |             |        |             |            |                   |     |          |           | -  | -  | 50 | -  | 48 | 47 | 46 | 45 | -  | -  | -  | -  | 40 | 39 | 38 | 37 | -  | -  | -      | -        |                                     |
|  |                      |                   |             |        |             |            |                   |     |          |           | -  |    |    |    |    |    |    |    |    |    |    |    |    |    |    |    |    |    |        |          |                                     |
|  |                      |                   |             |        |             |            |                   |     |          |           | -  |    |    |    |    |    |    |    |    |    |    |    |    |    |    |    |    |    |        |          |                                     |
| MX123 CONN ASSY 73 CKT GRY OPT0 KEY B/73 | 345661983            | C-HSG-B0          | G-CAP-0-P   | TPA-B0 | RS          | LS         | MAL               | CPA | MSEAL    | RSEAL     | 72   | 71 | 70 | 69 | 68 | 67 | 66 | 65 | 64 | 63 | 62 | 61 | 60 | 59 | 58 | 57 | 56 | 55 | 54     | 53       |                                     |
|  |                      |                   |             |        |             |            |                   |     |          |           | 52   | 51 | 50 | 49 | 48 | 47 | 46 | 45 | 44 | 43 | 42 | 41 | 40 | 39 | 38 | 37 | 36 | 35 | 34     | 33       |                                     |
|  |                      |                   |             |        |             |            |                   |     |          |           | -  |    |    |    |    |    |    |    |    |    |    |    |    |    |    |    |    |    |        |          |                                     |
|  |                      |                   |             |        |             |            |                   |     |          |           | -  |    |    |    |    |    |    |    |    |    |    |    |    |    |    |    |    |    |        |          |                                     |
| MX123 CONN ASSY 73 CKT BLU OPT0 KEY C/73 | 345661993            | C-HSG-C0          | G-CAP-0-P   | TPA-C0 | RS          | LS         | MAL               | CPA | MSEAL    | RSEAL     | 72   | 71 | 70 | 69 | 68 | 67 | 66 | 65 | 64 | 63 | 62 | 61 | 60 | 59 | 58 | 57 | 56 | 55 | 54     | 53       |                                     |
|  |                      |                   |             |        |             |            |                   |     |          |           | 52   | 51 | 50 | 49 | 48 | 47 | 46 | 45 | 44 | 43 | 42 | 41 | 40 | 39 | 38 | 37 | 36 | 35 | 34     | 33       |                                     |
|  |                      |                   |             |        |             |            |                   |     |          |           | -  |    |    |    |    |    |    |    |    |    |    |    |    |    |    |    |    |    |        |          |                                     |
|  |                      |                   |             |        |             |            |                   |     |          |           | -  |    |    |    |    |    |    |    |    |    |    |    |    |    |    |    |    |    |        |          |                                     |



| ASSEMBLY DESCRIPTION                     | ASSEMBLY PART NUMBER | CONNECTOR HOUSING | GROMMET CAP | TPA    | RIGHT SLIDE | LEFT SLIDE | MATE ASSIST LEVER | CPA | MAT SEAL | RING SEAL | BLOCKED TERMINALS  |    |    |    |    |    |    |    |    |    |    |    |    |    |    |    | STATUS | COMMENTS | INTEGRAL COMPONENTS SOLD SEPARATELY |    |    |    |    |    |   |    |    |    |   |    |    |    |
|--|----------------------|-------------------|-------------|--------|-------------|------------|-------------------|-----|----------|-----------|--|----|----|----|----|----|----|----|----|----|----|----|----|----|----|----|--------|----------|-------------------------------------|----|----|----|----|----|---|----|----|----|---|----|----|----|
|  |                      |                   |             |        |             |            |                   |     |          |           | CAVITY WITH A NUMBER INDICATES BLOCKED TERMINAL POSITION |    |    |    |    |    |    |    |    |    |    |    |    |    |    |    |        |          | DRESS COVER                         |    |    |    |    |    |   |    |    |    |   |    |    |    |
|  |                      |                   |             |        |             |            |                   |     |          |           | CAVITY WITHOUT A NUMBER INDICATES OPEN TERMINAL POSITION |    |    |    |    |    |    |    |    |    |    |    |    |    |    |    |        |          |                                     |    |    |    |    |    |   |    |    |    |   |    |    |    |
| MX123 CONN ASSY 73 CKT BLK OPT0 KEY A/31 | 345662013            | C-HSG-A0          | G-CAP-0-P   | TPA-A0 | RS          | LS         | MAL               | CPA | MSEAL    | RSEAL     | 72   | -  | -  | 69 | 68 | 67 | 66 | -  | 64 | 63 | 62 | 61 | -  | -  | -  | -  | 56     | 55       | -                                   | -  |    |    |    |    |   |    |    |    |   |    |    |    |
|  |                      |                   |             |        |             |            |                   |     |          |           | 52   | -  | -  | -  | -  | 47 | -  | -  | 44 | -  | 42 | -  | -  | -  | 38 | -  | -      | -        | 34                                  | -  |    |    |    |    |   |    |    |    |   |    |    |    |
|  |                      |                   |             |        |             |            |                   |     |          |           |  |    |    |    |    |    |    |    |    |    |    |    |    |    |    |    | -      | -        | 14                                  | -  | -  | -  | -  | -  | - | -  | -  | 3  | 2 | 1  |    |    |
|  |                      |                   |             |        |             |            |                   |     |          |           |  |    |    |    |    |    |    |    |    |    |    |    |    |    |    |    | -      | -        | -                                   | -  | -  | -  | -  | -  | - | -  | -  | -  | - | -  | -  | -  |
| MX123 CONN ASSY 73 CKT BLK OPT0 KEY A/38 | 345662023            | C-HSG-A0          | G-CAP-0-P   | TPA-A0 | RS          | LS         | MAL               | CPA | MSEAL    | RSEAL     | 72   | 71 | -  | 69 | -  | -  | -  | -  | 64 | 63 | 62 | 61 | 60 | 59 | -  | -  | 56     | -        | 54                                  | 53 |    |    |    |    |   |    |    |    |   |    |    |    |
|  |                      |                   |             |        |             |            |                   |     |          |           | 52   | 51 | 50 | -  | 48 | -  | 46 | 45 | -  | -  | -  | -  | 40 | -  | 38 | -  | 36     | -        | 34                                  | 33 |    |    |    |    |   |    |    |    |   |    |    |    |
|  |                      |                   |             |        |             |            |                   |     |          |           |  |    |    |    |    |    |    |    |    |    |    |    |    |    |    |    | -      | 31       | -                                   | 29 | 28 | -  | 26 | -  | - | 23 | 22 | -  | - | -  | -  | -  |
|  |                      |                   |             |        |             |            |                   |     |          |           |  |    |    |    |    |    |    |    |    |    |    |    |    |    |    |    | 16     | -        | 14                                  | -  | 12 | 11 | 10 | -  | - | 7  | -  | -  | 4 | -  | 2  | -  |
| MX123 CONN ASSY 73 CKT BLK OPT0 KEY A/27 | 345662033            | C-HSG-A0          | G-CAP-0-P   | TPA-A0 | RS          | LS         | MAL               | CPA | MSEAL    | RSEAL     | 72   | -  | -  | 69 | 68 | 67 | 66 | -  | -  | 63 | 62 | 61 | -  | -  | -  | -  | 56     | -        | -                                   | -  |    |    |    |    |   |    |    |    |   |    |    |    |
|  |                      |                   |             |        |             |            |                   |     |          |           | 52   | -  | -  | -  | -  | 47 | -  | -  | 44 | -  | 42 | -  | -  | -  | 38 | -  | -      | -        | 34                                  | -  |    |    |    |    |   |    |    |    |   |    |    |    |
|  |                      |                   |             |        |             |            |                   |     |          |           |  |    |    |    |    |    |    |    |    |    |    |    |    |    |    |    | -      | -        | -                                   | 29 | 28 | 27 | 26 | 25 | - | -  | -  | 21 | - | 19 | 18 | 17 |
|  |                      |                   |             |        |             |            |                   |     |          |           |  |    |    |    |    |    |    |    |    |    |    |    |    |    |    |    | -      | -        | 14                                  | -  | -  | -  | -  | -  | - | -  | -  | -  | - | -  | -  | -  |
| MX123 CONN ASSY 73 CKT BLK OPT0 KEY A/39 | 345662043            | C-HSG-A0          | G-CAP-0-P   | TPA-A0 | RS          | LS         | MAL               | CPA | MSEAL    | RSEAL     | 72   | 71 | -  | 69 | 68 | -  | -  | -  | 64 | 63 | 62 | 61 | 60 | 59 | -  | -  | 56     | -        | 54                                  | 53 |    |    |    |    |   |    |    |    |   |    |    |    |
|  |                      |                   |             |        |             |            |                   |     |          |           | 52   | 51 | 50 | -  | 48 | -  | 46 | 45 | -  | -  | -  | -  | 40 | -  | 38 | -  | 36     | -        | 34                                  | 33 |    |    |    |    |   |    |    |    |   |    |    |    |
|  |                      |                   |             |        |             |            |                   |     |          |           |  |    |    |    |    |    |    |    |    |    |    |    |    |    |    |    | -      | 31       | -                                   | 29 | 28 | -  | 26 | -  | - | 23 | 22 | -  | - | -  | -  | -  |
|  |                      |                   |             |        |             |            |                   |     |          |           |  |    |    |    |    |    |    |    |    |    |    |    |    |    |    |    | 16     | -        | 14                                  | -  | 12 | 11 | 10 | -  | - | 7  | -  | -  | 4 | -  | 2  | -  |
| MX123 CONN ASSY 73 CKT GRY OPT0 KEY B/41 | 345662053            | C-HSG-B0          | G-CAP-0-P   | TPA-B0 | RS          | LS         | MAL               | CPA | MSEAL    | RSEAL     | 72   | 71 | -  | 69 | -  | -  | -  | -  | 64 | 63 | 62 | 61 | 60 | 59 | -  | -  | 56     | -        | 54                                  | 53 |    |    |    |    |   |    |    |    |   |    |    |    |
|  |                      |                   |             |        |             |            |                   |     |          |           | 52   | 51 | 50 | -  | 48 | -  | 46 | 45 | -  | -  | -  | -  | 40 | -  | 38 | -  | 36     | 35       | 34                                  | 33 |    |    |    |    |   |    |    |    |   |    |    |    |
|  |                      |                   |             |        |             |            |                   |     |          |           |  |    |    |    |    |    |    |    |    |    |    |    |    |    |    |    | -      | 31       | -                                   | 29 | 28 | -  | 26 | -  | - | -  | 22 | -  | - | -  | -  | 17 |
|  |                      |                   |             |        |             |            |                   |     |          |           |  |    |    |    |    |    |    |    |    |    |    |    |    |    |    |    | 16     | 15       | 14                                  | -  | 12 | 11 | 10 | 9  | - | 7  | -  | -  | 4 | -  | 2  | -  |
| MX123 CONN ASSY 73 CKT BLK OPT0 KEY A/37 | 345662093            | C-HSG-A0          | G-CAP-0-P   | TPA-A0 | RS          | LS         | MAL               | CPA | MSEAL    | RSEAL     | 72   | 71 | 70 | 69 | -  | 67 | 66 | -  | 64 | -  | 62 | -  | 60 | -  | -  | 57 | -      | 55       | 54                                  | 53 |    |    |    |    |   |    |    |    |   |    |    |    |
|  |                      |                   |             |        |             |            |                   |     |          |           | -  | 51 | -  | 49 | 48 | -  | 46 | 45 | 44 | 43 | 42 | -  | 40 | 39 | -  | -  | -      | 35       | -                                   | -  |    |    |    |    |   |    |    |    |   |    |    |    |
|  |                      |                   |             |        |             |            |                   |     |          |           |  |    |    |    |    |    |    |    |    |    |    |    |    |    |    |    | -      | -        | -                                   | -  | -  | -  | 26 | -  | - | -  | 22 | 21 | - | -  | -  | -  |
|  |                      |                   |             |        |             |            |                   |     |          |           |  |    |    |    |    |    |    |    |    |    |    |    |    |    |    |    | -      | 15       | 14                                  | -  | -  | -  | -  | -  | 8 | 7  | 6  | 5  | 4 | 3  | 2  | -  |
| MX123 CONN ASSY 73 CKT GRY OPT0 KEY B/27 | 345662133            | C-HSG-B0          | G-CAP-0-P   | TPA-B0 | RS          | LS         | MAL               | CPA | MSEAL    | RSEAL     | 72   | -  | -  | 69 | 68 | 67 | 66 | -  | -  | 63 | 62 | 61 | -  | -  | -  | -  | 56     | -        | -                                   | -  |    |    |    |    |   |    |    |    |   |    |    |    |
|  |                      |                   |             |        |             |            |                   |     |          |           | 52   | -  | -  | -  | -  | 47 | -  | -  | 44 | -  | 42 | -  | -  | -  | 38 | -  | -      | -        | 34                                  | -  |    |    |    |    |   |    |    |    |   |    |    |    |
|  |                      |                   |             |        |             |            |                   |     |          |           |  |    |    |    |    |    |    |    |    |    |    |    |    |    |    |    | -      | -        | -                                   | 29 | 28 | 27 | 26 | 25 | - | -  | -  | 21 | - | 19 | 18 | 17 |
|  |                      |                   |             |        |             |            |                   |     |          |           |  |    |    |    |    |    |    |    |    |    |    |    |    |    |    |    | -      | -        | 14                                  | -  | -  | -  | -  | -  | - | -  | -  | -  | - | -  | -  | -  |
| MX123 CONN ASSY 73 CKT GRY OPT0 KEY B/31 | 345662143            | C-HSG-B0          | G-CAP-0-P   | TPA-B0 | RS          | LS         | MAL               | CPA | MSEAL    | RSEAL     | 72   | -  | -  | 69 | 68 | 67 | 66 | -  | 64 | 63 | 62 | 61 | -  | -  | -  | -  | 56     | 55       | -                                   | -  |    |    |    |    |   |    |    |    |   |    |    |    |
|  |                      |                   |             |        |             |            |                   |     |          |           | 52   | -  | -  | -  | -  | 47 | -  | -  | 44 | -  | 42 | -  | -  | -  | 38 | -  | -      | -        | 34                                  | -  |    |    |    |    |   |    |    |    |   |    |    |    |
|  |                      |                   |             |        |             |            |                   |     |          |           |  |    |    |    |    |    |    |    |    |    |    |    |    |    |    |    | -      | -        | -                                   | 29 | 28 | 27 | 26 | 25 | - | -  | -  | 21 | - | 19 | 18 | 17 |
|  |                      |                   |             |        |             |            |                   |     |          |           |  |    |    |    |    |    |    |    |    |    |    |    |    |    |    |    | -      | -        | 14                                  | -  | -  | -  | -  | -  | - | -  | -  | -  | - | 3  | 2  | 1  |
| MX123 CONN ASSY 73 CKT BLK OPT0 KEY A/41 | 345662153            | C-HSG-A0          | G-CAP-0-P   | TPA-A0 | RS          | LS         | MAL               | CPA | MSEAL    | RSEAL     | 72   | 71 | -  | 69 | -  | -  | -  | -  | 64 | 63 | 62 | 61 | 60 | 59 | -  | -  | 56     | -        | 54                                  | 53 |    |    |    |    |   |    |    |    |   |    |    |    |
|  |                      |                   |             |        |             |            |                   |     |          |           | 52   | 51 | 50 | -  | 48 | -  | 46 | 45 | -  | -  | -  | -  | 40 | -  | 38 | -  | 36     | 35       | 34                                  | 33 |    |    |    |    |   |    |    |    |   |    |    |    |
|  |                      |                   |             |        |             |            |                   |     |          |           |  |    |    |    |    |    |    |    |    |    |    |    |    |    |    |    | -      | 31       | -                                   | 29 | 28 | -  | 26 | -  | - | -  | 22 | -  | - | -  | -  | 17 |
|  |                      |                   |             |        |             |            |                   |     |          |           |  |    |    |    |    |    |    |    |    |    |    |    |    |    |    |    | 16     | 15       | 14                                  | -  | 12 | 11 | 10 | 9  | - | 7  | -  | -  | 4 | -  | 2  | -  |
| MX123 CONN ASSY 73 CKT BLK OPT0 KEY A/40 | 345662163            | C-HSG-A0          | G-CAP-0-P   | TPA-A0 | RS          | LS         | MAL               | CPA | MSEAL    | RSEAL     | 72   | 71 | -  | 69 | 68 | -  | -  | 65 | 64 | 63 | 62 | -  | 60 | 59 | -  | 57 | 56     | -        | -                                   | 53 |    |    |    |    |   |    |    |    |   |    |    |    |
|  |                      |                   |             |        |             |            |                   |     |          |           | 52   | 51 | 50 | -  | 48 | -  | 46 | -  | -  | -  | -  | -  | 40 | -  | 38 | -  | 36     | 35       | -                                   | 33 |    |    |    |    |   |    |    |    |   |    |    |    |
|  |                      |                   |             |        |             |            |                   |     |          |           |  |    |    |    |    |    |    |    |    |    |    |    |    |    |    |    | -      | 31       | 30                                  | 29 | 28 | -  | 26 | 25 | - | 23 | 22 | -  | - | -  | -  | -  |
|  |                      |                   |             |        |             |            |                   |     |          |           |  |    |    |    |    |    |    |    |    |    |    |    |    |    |    |    | 16     | -        | 14                                  | -  | 12 | -  | 10 | -  | 8 | 7  | -  | -  | 4 | -  | 2  | -  |
| MX123 CONN ASSY 73 CKT BLK OPT0 KEY A/36 | 345662173            | C-HSG-A0          | G-CAP-0-P   | TPA-A0 | RS          | LS         | MAL               | CPA | MSEAL    | RSEAL     | 72   | 71 | -  | 69 | 68 | -  | -  | -  | 64 | 63 | 62 | -  | 60 | 59 | -  | 57 | 56     | -        | -                                   | 53 |    |    |    |    |   |    |    |    |   |    |    |    |
|  |                      |                   |             |        |             |            |                   |     |          |           | 52   | 51 | 50 | -  | 48 | -  | 46 | -  | -  | -  | -  | -  | 40 | -  | 38 | -  | 36     | 35       | -                                   | 33 |    |    |    |    |   |    |    |    |   |    |    |    |
|  |                      |                   |             |        |             |            |                   |     |          |           |  |    |    |    |    |    |    |    |    |    |    |    |    |    |    |    | -      | 31       | -                                   | 29 | 28 | -  | 26 | -  | - | 23 | 22 | -  | - | -  | -  | -  |
|  |                      |                   |             |        |             |            |                   |     |          |           |  |    |    |    |    |    |    |    |    |    |    |    |    |    |    |    | 16     | -        | 14                                  | -  | 12 | -  | 10 | -  | - | 7  | -  | -  | 4 | -  | 2  | -  |
| MX123 CONN ASSY 73 CKT BLK OPT0 KEY A/44 | 345662183            | C-HSG-A0          | G-CAP-0-P   | TPA-A0 | RS          | LS         | MAL               | CPA | MSEAL    | RSEAL     | 72   | 71 | -  | 69 | 68 | -  | -  | 65 | 64 | 63 | 62 | 61 | 60 | 59 | -  | -  | 56     | -        | 54                                  | 53 |    |    |    |    |   |    |    |    |   |    |    |    |
|  |                      |                   |             |        |             |            |                   |     |          |           | 52   | 51 | 50 | -  | 48 | -  | 46 | 45 | -  | -  | -  | -  | 40 | -  | 38 | -  | 36     | 35       | 34                                  | 33 |    |    |    |    |   |    |    |    |   |    |    |    |
|  |                      |                   |             |        |             |            |                   |     |          |           |  |    |    |    |    |    |    |    |    |    |    |    |    |    |    |    | -      | 31       | 30                                  | 29 | 28 | -  | 26 | 25 | - | 23 | 22 | -  | - | -  | -  | -  |
|  |                      |                   |             |        |             |            |                   |     |          |           |  |    |    |    |    |    |    |    |    |    |    |    |    |    |    |    | 16     | -        | 14                                  | -  | 12 | 11 | 10 | -  | 8 | 7  | -  | -  | 4 | -  | 2  | -  |

| ASSEMBLY DESCRIPTION                     | ASSEMBLY PART NUMBER | CONNECTOR HOUSING | GROMMET CAP | TPA    | RIGHT SLIDE | LEFT SLIDE | MATE ASSIST LEVER | CPA | MAT SEAL | RING SEAL | BLOCKED TERMINALS  |    |    |    |    |    |    |    |    |    |    |    |    |    |    |    |    |    |    |          | STATUS   | COMMENTS  | INTEGRAL COMPONENTS SOLD SEPARATELY |
|--|----------------------|-------------------|-------------|--------|-------------|------------|-------------------|-----|----------|-----------|--|----|----|----|----|----|----|----|----|----|----|----|----|----|----|----|----|----|----|----------|----------|-----------|-------------------------------------|
|  |                      |                   |             |        |             |            |                   |     |          |           | CAVITY WITH A NUMBER INDICATES BLOCKED TERMINAL POSITION |    |    |    |    |    |    |    |    |    |    |    |    |    |    |    |    |    |    |          |          |           | DRESS COVER                         |
|  |                      |                   |             |        |             |            |                   |     |          |           | CAVITY WITHOUT A NUMBER INDICATES OPEN TERMINAL POSITION |    |    |    |    |    |    |    |    |    |    |    |    |    |    |    |    |    |    |          |          |           |                                     |
| MX123 CONN ASSY 73 CKT BLK OPT0 KEY A/40 | 345662193            | C-HSG-A0          | G-CAP-0-P   | TPA-A0 | RS          | LS         | MAL               | CPA | MSEAL    | RSEAL     | 72   | 71 | -  | 69 | 68 | -  | -  | -  | 64 | 63 | 62 | 61 | 60 | 59 | -  | -  | 56 | -  | 54 | 53       | SALEABLE |           | 345650003                           |
|  |                      |                   |             |        |             |            |                   |     |          |           | 52   | 51 | 50 | -  | 48 | -  | 46 | 45 | -  | -  | -  | -  | 40 | -  | 38 | -  | 36 | 35 | 34 | 33       |          |           |                                     |
|  |                      |                   |             |        |             |            |                   |     |          |           |  |    |    |    | -  | 31 | -  | 29 | 28 | -  | 26 | -  | -  | 23 | 22 | -  | -  | -  | -  | -        |          |           |                                     |
| MX123 CONN ASSY 73 CKT BLK OPT0 KEY A/24 | 345662223            | C-HSG-A0          | G-CAP-0-P   | TPA-A0 | RS          | LS         | MAL               | CPA | MSEAL    | RSEAL     | -  | -  | -  | -  | -  | -  | -  | 65 | -  | -  | -  | 61 | -  | -  | 58 | 57 | 56 | -  | -  | -        | SALEABLE |           | 345650003                           |
|  |                      |                   |             |        |             |            |                   |     |          |           | -  | 51 | 50 | -  | -  | 47 | -  | 45 | -  | -  | -  | 41 | -  | -  | 38 | 37 | 36 | -  | -  | -        |          |           |                                     |
|  |                      |                   |             |        |             |            |                   |     |          |           |  |    |    |    | -  | 31 | 30 | -  | 28 | -  | 26 | 25 | -  | -  | 22 | 21 | 20 | -  | -  | -        |          |           |                                     |
| MX123 CONN ASSY 73 CKT BLK OPT0 KEY A/48 | 345662233            | C-HSG-A0          | G-CAP-0-P   | TPA-A0 | RS          | LS         | MAL               | CPA | MSEAL    | RSEAL     | 72   | 71 | 70 | -  | 68 | 67 | 66 | 65 | 64 | -  | 62 | 61 | 60 | 59 | -  | 57 | -  | 55 | -  | 53       | SALEABLE |           | 345650003                           |
|  |                      |                   |             |        |             |            |                   |     |          |           | -  | -  | 50 | -  | 48 | 47 | 46 | 45 | -  | -  | -  | -  | 40 | 39 | 38 | 37 | -  | -  | -  |          |          |           |                                     |
|  |                      |                   |             |        |             |            |                   |     |          |           |  |    |    |    | -  | 31 | 30 | 29 | -  | 27 | -  | 25 | 24 | 23 | 22 | 21 | 20 | -  | -  | 17       |          |           |                                     |
| MX123 CONN ASSY 73 CKT BLK OPT0 KEY A/24 | 345662253            | C-HSG-A0          | G-CAP-0-P   | TPA-A0 | RS          | LS         | MAL               | CPA | MSEAL    | RSEAL     | -  | -  | -  | -  | -  | 67 | -  | -  | -  | -  | 62 | -  | 60 | -  | -  | 57 | -  | 55 | -  | -        | SALEABLE |           | 345650003                           |
|  |                      |                   |             |        |             |            |                   |     |          |           | -  | 51 | -  | -  | 48 | -  | 46 | 45 | 44 | 43 | -  | -  | 40 | 39 | -  | -  | -  | 35 | -  | -        |          |           |                                     |
|  |                      |                   |             |        |             |            |                   |     |          |           |  |    |    |    | -  | -  | -  | -  | -  | -  | -  | 25 | -  | -  | -  | -  | -  | -  | -  | -        |          |           |                                     |
| MX123 CONN ASSY 73 CKT BLK OPT0 KEY A/44 | 345662263            | C-HSG-A0          | G-CAP-0-P   | TPA-A0 | RS          | LS         | MAL               | CPA | MSEAL    | RSEAL     | 72   | 71 | 70 | -  | 68 | 67 | 66 | 65 | 64 | -  | 62 | 61 | 60 | 59 | -  | 57 | -  | -  | -  | -        | SALEABLE |           | 345650003                           |
|  |                      |                   |             |        |             |            |                   |     |          |           | -  | -  | -  | -  | 48 | 47 | 46 | 45 | -  | -  | -  | -  | 40 | 39 | 38 | 37 | -  | -  | -  |          |          |           |                                     |
|  |                      |                   |             |        |             |            |                   |     |          |           |  |    |    |    | -  | 31 | 30 | 29 | -  | 27 | -  | 25 | 24 | 23 | 22 | 21 | 20 | -  | -  | 17       |          |           |                                     |
| MX123 CONN ASSY 73 CKT BLK OPT0 KEY A/36 | 345662273            | C-HSG-A0          | G-CAP-0-P   | TPA-A0 | RS          | LS         | MAL               | CPA | MSEAL    | RSEAL     | 72   | 71 | 70 | -  | 68 | 67 | 66 | 65 | 64 | -  | -  | -  | 60 | 59 | -  | -  | -  | -  | -  | SALEABLE |          | 345650003 |                                     |
|  |                      |                   |             |        |             |            |                   |     |          |           | -  | -  | -  | -  | 48 | 47 | 46 | 45 | -  | -  | -  | -  | 40 | 39 | 38 | -  | -  | -  |    |          |          |           |                                     |
|  |                      |                   |             |        |             |            |                   |     |          |           |  |    |    |    | -  | 31 | 30 | -  | -  | -  | -  | 25 | 24 | 23 | 22 | 21 | 20 | -  | -  |          |          |           | 17                                  |
| MX123 CONN ASSY 73 CKT GRY OPT0 KEY B/52 | 345662283            | C-HSG-B0          | G-CAP-0-P   | TPA-B0 | RS          | LS         | MAL               | CPA | MSEAL    | RSEAL     | 72   | 71 | 70 | 69 | -  | -  | -  | -  | -  | -  | 62 | 61 | 60 | 59 | 58 | 57 | 56 | -  | 54 | 53       | SALEABLE |           | 345650003                           |
|  |                      |                   |             |        |             |            |                   |     |          |           | 52   | 51 | 50 | -  | -  | 47 | -  | -  | -  | -  | 42 | 41 | 40 | 39 | 38 | 37 | 36 | 35 | 34 | 33       |          |           |                                     |
|  |                      |                   |             |        |             |            |                   |     |          |           |  |    |    |    | -  | 31 | -  | -  | -  | -  | 26 | 25 | 24 | 23 | 22 | 21 | 20 | 19 | 18 | -        |          |           |                                     |
| MX123 CONN ASSY 73 CKT BLU OPT0 KEY C/44 | 345662293            | C-HSG-C0          | G-CAP-0-P   | TPA-C0 | RS          | LS         | MAL               | CPA | MSEAL    | RSEAL     | -  | 71 | -  | 69 | -  | 67 | -  | 65 | 64 | -  | 62 | 61 | 60 | -  | 58 | -  | 56 | 55 | 54 | -        | SALEABLE |           | 345650003                           |
|  |                      |                   |             |        |             |            |                   |     |          |           | -  | -  | 50 | 49 | -  | -  | -  | 45 | -  | 43 | -  | 41 | -  | -  | 38 | 37 | 36 | 35 | -  | -        |          |           |                                     |
|  |                      |                   |             |        |             |            |                   |     |          |           |  |    |    |    | 32 | 31 | -  | 29 | 28 | 27 | -  | -  | 24 | 23 | -  | -  | 20 | 19 | 18 | 17       |          |           |                                     |
| MX123 CONN ASSY 73 CKT BLU OPT0 KEY C/47 | 345662313            | C-HSG-C0          | G-CAP-0-P   | TPA-C0 | RS          | LS         | MAL               | CPA | MSEAL    | RSEAL     | -  | 71 | -  | 69 | 68 | 67 | -  | 65 | 64 | -  | 62 | 61 | 60 | -  | 58 | -  | 56 | 55 | 54 | -        | SALEABLE |           | 345650003                           |
|  |                      |                   |             |        |             |            |                   |     |          |           | -  | -  | 50 | 49 | 48 | 47 | -  | 45 | -  | 43 | -  | 41 | -  | -  | 38 | 37 | 36 | 35 | -  | -        |          |           |                                     |
|  |                      |                   |             |        |             |            |                   |     |          |           |  |    |    |    | 32 | 31 | -  | 29 | 28 | 27 | -  | -  | 24 | 23 | -  | -  | 20 | 19 | 18 | 17       |          |           |                                     |
| MX123 CONN ASSY 73 CKT BLU OPT0 KEY C/41 | 345662323            | C-HSG-C0          | G-CAP-0-P   | TPA-C0 | RS          | LS         | MAL               | CPA | MSEAL    | RSEAL     | -  | 71 | -  | 69 | -  | 67 | -  | 65 | 64 | -  | 62 | 61 | 60 | -  | 58 | -  | 56 | 55 | 54 | -        | SALEABLE |           | 345650003                           |
|  |                      |                   |             |        |             |            |                   |     |          |           | -  | -  | 50 | 49 | -  | -  | -  | 45 | -  | 43 | -  | 41 | -  | -  | 38 | 37 | 36 | 35 | -  | -        |          |           |                                     |
|  |                      |                   |             |        |             |            |                   |     |          |           |  |    |    |    | 32 | 31 | -  | 29 | 28 | 27 | -  | -  | 24 | 23 | -  | -  | 19 | 18 | 17 |          |          |           |                                     |
| MX123 CONN ASSY 73 CKT BLK OPT0 KEY A/33 | 345662333            | C-HSG-A0          | G-CAP-0-P   | TPA-A0 | RS          | LS         | MAL               | CPA | MSEAL    | RSEAL     | 72   | -  | 70 | -  | -  | 67 | 66 | -  | -  | -  | 62 | -  | 60 | -  | 58 | -  | -  | 55 | 54 | 53       | SALEABLE |           | 345650003                           |
|  |                      |                   |             |        |             |            |                   |     |          |           | -  | 51 | -  | -  | 48 | -  | 46 | 45 | 44 | 43 | 42 | -  | 40 | -  | -  | -  | -  | 35 | -  | -        |          |           |                                     |
|  |                      |                   |             |        |             |            |                   |     |          |           |  |    |    |    | -  | -  | -  | -  | -  | -  | 26 | 25 | -  | -  | 21 | -  | -  | -  | 17 |          |          |           |                                     |
| MX123 CONN ASSY 73 CKT BLK OPT0 KEY A/36 | 345662343            | C-HSG-A0          | G-CAP-0-P   | TPA-A0 | RS          | LS         | MAL               | CPA | MSEAL    | RSEAL     | -  | 71 | -  | 69 | -  | -  | -  | -  | 64 | 63 | 62 | 61 | 60 | 59 | -  | -  | 56 | -  | 54 | 53       | SALEABLE |           | 345650003                           |
|  |                      |                   |             |        |             |            |                   |     |          |           | 52   | 51 | 50 | -  | 48 | -  | 46 | 45 | -  | -  | -  | -  | 40 | -  | 38 | -  | 36 | -  | 34 | 33       |          |           |                                     |
|  |                      |                   |             |        |             |            |                   |     |          |           |  |    |    |    | -  | 31 | -  | 29 | 28 | -  | 26 | -  | -  | 23 | 22 | -  | -  | -  | -  |          |          |           |                                     |



| ASSEMBLY DESCRIPTION                     | ASSEMBLY PART NUMBER | CONNECTOR HOUSING | GROMMET CAP | TPA    | RIGHT SLIDE | LEFT SLIDE | MATE ASSIST LEVER | CPA | MAT SEAL | RING SEAL | BLOCKED TERMINALS  |    |    |    |    |    |    |    |    |    |    |    |    |    |    |    |    |    |    | STATUS   | COMMENTS | INTEGRAL COMPONENTS SOLD SEPARATELY |           |    |
|--|----------------------|-------------------|-------------|--------|-------------|------------|-------------------|-----|----------|-----------|--|----|----|----|----|----|----|----|----|----|----|----|----|----|----|----|----|----|----|----------|----------|-------------------------------------|-----------|----|
|  |                      |                   |             |        |             |            |                   |     |          |           | CAVITY WITH A NUMBER INDICATES BLOCKED TERMINAL POSITION |    |    |    |    |    |    |    |    |    |    |    |    |    |    |    |    |    |    |          |          | DRESS COVER                         |           |    |
|  |                      |                   |             |        |             |            |                   |     |          |           | CAVITY WITHOUT A NUMBER INDICATES OPEN TERMINAL POSITION |    |    |    |    |    |    |    |    |    |    |    |    |    |    |    |    |    |    |          |          |                                     |           |    |
| MX123 CONN ASSY 73 CKT BLK OPT0 KEY A/37 | 345662353            | C-HSG-A0          | G-CAP-0-P   | TPA-A0 | RS          | LS         | MAL               | CPA | MSEAL    | RSEAL     | -  | 71 | -  | 69 | 68 | -  | -  | -  | 64 | 63 | 62 | 61 | 60 | 59 | -  | -  | 56 | -  | 54 | 53       | SALEABLE |                                     | 345650003 |    |
|  |                      |                   |             |        |             |            |                   |     |          |           | 52   | 51 | 50 | -  | 48 | -  | 46 | 45 | -  | -  | -  | -  | 40 | -  | 38 | -  | 36 | -  | 34 | 33       |          |                                     |           |    |
|  |                      |                   |             |        |             |            |                   |     |          |           | -  |    |    |    |    |    |    |    |    |    |    |    |    |    |    |    |    |    |    | 16       |          |                                     |           | -  |
| MX123 CONN ASSY 73 CKT BLU OPT0 KEY C/39 | 345662363            | C-HSG-C0          | G-CAP-0-P   | TPA-C0 | RS          | LS         | MAL               | CPA | MSEAL    | RSEAL     | -  | 71 | -  | 69 | 68 | -  | -  | 65 | 64 | -  | -  | 61 | 60 | -  | 58 | -  | 56 | 55 | 54 | -        | SALEABLE |                                     | 345650003 |    |
|  |                      |                   |             |        |             |            |                   |     |          |           | -  | -  | 50 | 49 | 48 | 47 | -  | 45 | -  | 43 | -  | 41 | -  | -  | -  | 37 | 36 | 35 | -  | -        |          |                                     |           |    |
|  |                      |                   |             |        |             |            |                   |     |          |           | -  |    |    |    |    |    |    |    |    |    |    |    |    |    |    |    |    |    |    | 16       |          |                                     |           | -  |
| MX123 CONN ASSY 73 CKT GRY OPT0 KEY B/21 | 345662373            | C-HSG-B0          | G-CAP-0-P   | TPA-B0 | RS          | LS         | MAL               | CPA | MSEAL    | RSEAL     | 72   | 71 | 70 | 69 | -  | -  | -  | -  | 63 | 62 | -  | -  | -  | -  | -  | 56 | -  | -  | -  | SALEABLE |          | 345650003                           |           |    |
|  |                      |                   |             |        |             |            |                   |     |          |           | 52   | -  | -  | -  | -  | -  | -  | -  | 44 | -  | -  | -  | -  | -  | -  | 36 | -  | -  | -  |          |          |                                     | -         |    |
|  |                      |                   |             |        |             |            |                   |     |          |           | -  |    |    |    |    |    |    |    |    |    |    |    |    |    |    |    |    |    |    |          |          |                                     | -         | -  |
| MX123 CONN ASSY 73 CKT GRY OPT0 KEY B/50 | 345662383            | C-HSG-B0          | G-CAP-0-P   | TPA-B0 | RS          | LS         | MAL               | CPA | MSEAL    | RSEAL     | 72   | 71 | 70 | 69 | 68 | 67 | 66 | -  | 64 | 63 | 62 | 61 | 60 | -  | 58 | -  | 56 | -  | 54 | -        | SALEABLE |                                     | 345650003 |    |
|  |                      |                   |             |        |             |            |                   |     |          |           | 52   | 51 | -  | -  | -  | 47 | -  | 45 | 44 | 43 | 42 | 41 | 40 | -  | 38 | -  | 36 | -  | 34 | -        |          |                                     |           |    |
|  |                      |                   |             |        |             |            |                   |     |          |           | -  |    |    |    |    |    |    |    |    |    |    |    |    |    |    |    |    |    |    | 32       |          |                                     |           | 31 |
| MX123 CONN ASSY 73 CKT GRY OPT0 KEY B/50 | 345662393            | C-HSG-B0          | G-CAP-0-P   | TPA-B0 | RS          | LS         | MAL               | CPA | MSEAL    | RSEAL     | 72   | 71 | 70 | 69 | 68 | 67 | 66 | 65 | 64 | 63 | 62 | 61 | 60 | -  | 58 | -  | 56 | -  | 54 | -        | SALEABLE |                                     | 345650003 |    |
|  |                      |                   |             |        |             |            |                   |     |          |           | 52   | 51 | -  | -  | -  | 47 | -  | 45 | 44 | 43 | 42 | 41 | 40 | -  | 38 | -  | 36 | -  | 34 | -        |          |                                     |           |    |
|  |                      |                   |             |        |             |            |                   |     |          |           | -  |    |    |    |    |    |    |    |    |    |    |    |    |    |    |    |    |    |    | 32       |          |                                     |           | 31 |
| MX123 CONN ASSY 73 CKT BLK OPT0 KEY A/38 | 345662413            | C-HSG-A0          | G-CAP-0-P   | TPA-A0 | RS          | LS         | MAL               | CPA | MSEAL    | RSEAL     | 72   | 71 | -  | 69 | 68 | -  | -  | -  | 64 | 63 | 62 | 61 | 60 | 59 | -  | -  | 56 | -  | 54 | 53       | SALEABLE |                                     | 345650003 |    |
|  |                      |                   |             |        |             |            |                   |     |          |           | 52   | 51 | 50 | -  | 48 | -  | 46 | 45 | -  | -  | -  | -  | 40 | -  | 38 | -  | 36 | -  | 34 | 33       |          |                                     |           |    |
|  |                      |                   |             |        |             |            |                   |     |          |           | -  |    |    |    |    |    |    |    |    |    |    |    |    |    |    |    |    |    |    | 16       |          |                                     |           | -  |
| MX123 CONN ASSY 73 CKT BLK OPT0 KEY A/44 | 345662423            | C-HSG-A0          | G-CAP-0-P   | TPA-A0 | RS          | LS         | MAL               | CPA | MSEAL    | RSEAL     | 72   | 71 | 70 | 69 | 68 | 67 | 66 | 65 | 64 | -  | 62 | 61 | 60 | 59 | -  | -  | -  | -  | -  | -        | SALEABLE |                                     | 345650003 |    |
|  |                      |                   |             |        |             |            |                   |     |          |           | -  | -  | 50 | -  | 48 | 47 | 46 | 45 | -  | -  | -  | -  | 40 | 39 | 38 | 37 | -  | -  | -  | -        |          |                                     |           | -  |
|  |                      |                   |             |        |             |            |                   |     |          |           | -  |    |    |    |    |    |    |    |    |    |    |    |    |    |    |    |    |    |    | -        |          |                                     |           | 31 |
| MX123 CONN ASSY 73 CKT BLK OPT0 KEY A/44 | 345662433            | C-HSG-A0          | G-CAP-0-P   | TPA-A0 | RS          | LS         | MAL               | CPA | MSEAL    | RSEAL     | 72   | 71 | 70 | -  | 68 | 67 | 66 | 65 | 64 | -  | 62 | 61 | 60 | 59 | 58 | 57 | -  | -  | -  | -        | SALEABLE |                                     | 345650003 |    |
|  |                      |                   |             |        |             |            |                   |     |          |           | -  | -  | 50 | -  | 48 | 47 | 46 | 45 | -  | -  | -  | -  | 40 | 39 | 38 | 37 | -  | -  | -  | -        |          |                                     |           | -  |
|  |                      |                   |             |        |             |            |                   |     |          |           | -  |    |    |    |    |    |    |    |    |    |    |    |    |    |    |    |    |    |    | -        |          |                                     |           | 31 |
| MX123 CONN ASSY 73 CKT BLU OPT0 KEY C/40 | 345662443            | C-HSG-C0          | G-CAP-0-P   | TPA-C0 | RS          | LS         | MAL               | CPA | MSEAL    | RSEAL     | -  | 71 | -  | 69 | -  | 67 | -  | 65 | 64 | -  | 62 | 61 | 60 | -  | 58 | -  | 56 | 55 | 54 | -        | SALEABLE |                                     | 345650003 |    |
|  |                      |                   |             |        |             |            |                   |     |          |           | -  | -  | 50 | 49 | -  | -  | -  | 45 | -  | 43 | 42 | 41 | -  | -  | 38 | 37 | 36 | 35 | -  | -        |          |                                     |           |    |
|  |                      |                   |             |        |             |            |                   |     |          |           | -  |    |    |    |    |    |    |    |    |    |    |    |    |    |    |    |    |    |    | 16       |          |                                     |           | -  |
| MX123 CONN ASSY 73 CKT BLK OPT0 KEY A/36 | 345662453            | C-HSG-A0          | G-CAP-0-P   | TPA-A0 | RS          | LS         | MAL               | CPA | MSEAL    | RSEAL     | 72   | -  | 70 | -  | 68 | 67 | 66 | -  | -  | -  | 62 | 61 | 60 | 59 | -  | -  | -  | -  | -  | SALEABLE |          | 345650003                           |           |    |
|  |                      |                   |             |        |             |            |                   |     |          |           | -  | -  | 50 | -  | 48 | 47 | 46 | -  | -  | -  | -  | -  | 40 | 39 | 38 | -  | -  | -  | -  |          |          |                                     | -         |    |
|  |                      |                   |             |        |             |            |                   |     |          |           | -  |    |    |    |    |    |    |    |    |    |    |    |    |    |    |    |    |    |    |          |          |                                     | -         | 31 |
| MX123 CONN ASSY 73 CKT BLK OPT0 KEY A/36 | 345662463            | C-HSG-A0          | G-CAP-0-P   | TPA-A0 | RS          | LS         | MAL               | CPA | MSEAL    | RSEAL     | 72   | -  | 70 | -  | 68 | 67 | 66 | -  | -  | -  | 62 | 61 | 60 | 59 | 58 | -  | -  | -  | -  | SALEABLE |          | 345650003                           |           |    |
|  |                      |                   |             |        |             |            |                   |     |          |           | -  | -  | 50 | -  | 48 | 47 | 46 | -  | -  | -  | -  | -  | 40 | 39 | 38 | -  | -  | -  | -  |          |          |                                     | -         |    |
|  |                      |                   |             |        |             |            |                   |     |          |           | -  |    |    |    |    |    |    |    |    |    |    |    |    |    |    |    |    |    |    |          |          |                                     | -         | 31 |
| MX123 CONN ASSY 73 CKT BLK OPT0 KEY A/37 | 345662473            | C-HSG-A0          | G-CAP-0-P   | TPA-A0 | RS          | LS         | MAL               | CPA | MSEAL    | RSEAL     | 72   | 71 | -  | 69 | -  | -  | -  | -  | 64 | 63 | 62 | 61 | 60 | 59 | -  | -  | 56 | -  | 54 | 53       | SALEABLE |                                     | 345650003 |    |
|  |                      |                   |             |        |             |            |                   |     |          |           | 52   | 51 | 50 | -  | 48 | -  | 46 | 45 | -  | -  | -  | -  | 40 | -  | 38 | -  | 36 | -  | 34 | 33       |          |                                     |           |    |
|  |                      |                   |             |        |             |            |                   |     |          |           | -  |    |    |    |    |    |    |    |    |    |    |    |    |    |    |    |    |    |    | 16       |          |                                     |           | -  |



| ASSEMBLY DESCRIPTION                     | ASSEMBLY PART NUMBER | CONNECTOR HOUSING | GROMMET CAP | TPA    | RIGHT SLIDE | LEFT SLIDE | MATE ASSIST LEVER | CPA | MAT SEAL | RING SEAL | BLOCKED TERMINALS  |    |    |    |    |    |    |    |    |    |    |    |    |    |    |    |    |    |    |    | STATUS | COMMENTS | INTEGRAL COMPONENTS SOLD SEPARATELY |
|--|----------------------|-------------------|-------------|--------|-------------|------------|-------------------|-----|----------|-----------|--|----|----|----|----|----|----|----|----|----|----|----|----|----|----|----|----|----|----|----|--------|----------|-------------------------------------|
|  |                      |                   |             |        |             |            |                   |     |          |           | CAVITY WITH A NUMBER INDICATES BLOCKED TERMINAL POSITION |    |    |    |    |    |    |    |    |    |    |    |    |    |    |    |    |    |    |    |        |          | DRESS COVER                         |
|  |                      |                   |             |        |             |            |                   |     |          |           | CAVITY WITHOUT A NUMBER INDICATES OPEN TERMINAL POSITION |    |    |    |    |    |    |    |    |    |    |    |    |    |    |    |    |    |    |    |        |          |                                     |
| MX123 CONN ASSY 73 CKT GRY OPT0 KEY B/53 | 345662603            | C-HSG-B0          | G-CAP-0-P   | TPA-B0 | RS          | LS         | MAL               | CPA | MSEAL    | RSEAL     | 72   | 71 | 70 | 69 | 68 | -  | -  | -  | 64 | 63 | 62 | 61 | 60 | -  | 58 | -  | 56 | -  | 54 | -  |        |          |                                     |
|  |                      |                   |             |        |             |            |                   |     |          |           | 52   | 51 | 50 | -  | -  | -  | 46 | 45 | -  | 43 | 42 | 41 | 40 | -  | 38 | -  | 36 | -  | 34 | -  |        |          |                                     |
|  |                      |                   |             |        |             |            |                   |     |          |           |  |    |    |    | 32 | 31 | 30 | -  | -  | 27 | 26 | 25 | 24 | -  | 22 | -  | 20 | 19 | 18 | 17 |        |          |                                     |
|  |                      |                   |             |        |             |            |                   |     |          |           |  |    |    |    | 16 | 15 | 14 | 13 | 12 | 11 | 10 | 9  | 8  | -  | 6  | 5  | 4  | 3  | 2  | 1  |        |          |                                     |
| MX123 CONN ASSY 73 CKT BLU OPT9 KEY C/41 | 345662613            | C-HSG-C0          | G-CAP-9-P   | TPA-C0 | RS          | LS         | MAL               | CPA | MSEAL    | RSEAL     | -  | 71 | -  | 69 | 68 | -  | -  | 65 | 64 | -  | -  | 61 | 60 | -  | 58 | -  | 56 | 55 | 54 | -  |        |          |                                     |
|  |                      |                   |             |        |             |            |                   |     |          |           | -  | -  | 50 | 49 | 48 | 47 | -  | 45 | -  | 43 | -  | 41 | -  | -  | 38 | 37 | 36 | 35 | -  | -  |        |          |                                     |
|  |                      |                   |             |        |             |            |                   |     |          |           |  |    |    |    | 32 | 31 | -  | 29 | 28 | -  | -  | -  | 24 | 23 | -  | -  | -  | 19 | 18 | 17 |        |          |                                     |
|  |                      |                   |             |        |             |            |                   |     |          |           |  |    |    |    | 16 | -  | -  | 13 | 12 | 11 | -  | -  | 8  | 7  | -  | -  | -  | 3  | 2  | 1  |        |          |                                     |
| MX123 CONN ASSY 73 CKT BLK OPT0 KEY A/34 | 345662623            | C-HSG-A0          | G-CAP-0-P   | TPA-A0 | RS          | LS         | MAL               | CPA | MSEAL    | RSEAL     | 72   | -  | 70 | -  | -  | -  | 66 | -  | -  | -  | 62 | -  | 60 | -  | 58 | -  | -  | 55 | 54 | 53 |        |          |                                     |
|  |                      |                   |             |        |             |            |                   |     |          |           | 52   | 51 | -  | -  | 48 | -  | 46 | 45 | 44 | 43 | 42 | -  | 40 | 39 | -  | -  | -  | 35 | -  | -  |        |          |                                     |
|  |                      |                   |             |        |             |            |                   |     |          |           |  |    |    |    | -  | -  | -  | -  | -  | -  | 26 | 25 | -  | -  | 22 | 21 | -  | -  | -  | 17 |        |          |                                     |
|  |                      |                   |             |        |             |            |                   |     |          |           |  |    |    |    | -  | 15 | 14 | -  | -  | -  | -  | -  | 8  | -  | 6  | 5  | -  | 3  | 2  | 1  |        |          |                                     |
| MX123 CONN ASSY 73 CKT BLK OPT0 KEY A/38 | 345662633            | C-HSG-A0          | G-CAP-0-P   | TPA-A0 | RS          | LS         | MAL               | CPA | MSEAL    | RSEAL     | 72   | -  | 70 | -  | -  | -  | 66 | -  | -  | -  | 63 | 62 | -  | 60 | -  | 58 | -  | -  | 55 | 54 | 53     |          |                                     |
|  |                      |                   |             |        |             |            |                   |     |          |           | 52   | 51 | -  | -  | 48 | -  | 46 | 45 | 44 | 43 | 42 | -  | 40 | 39 | -  | -  | -  | 35 | 34 | -  |        |          |                                     |
|  |                      |                   |             |        |             |            |                   |     |          |           |  |    |    |    | -  | -  | -  | -  | -  | -  | 26 | 25 | -  | -  | 22 | 21 | -  | -  | -  | 17 |        |          |                                     |
|  |                      |                   |             |        |             |            |                   |     |          |           |  |    |    |    | -  | 15 | 14 | 13 | 12 | -  | -  | -  | 8  | -  | 6  | 5  | -  | 3  | 2  | 1  |        |          |                                     |
| MX123 CONN ASSY 73 CKT BLK OPT0 KEY A/32 | 345662643            | C-HSG-A0          | G-CAP-0-P   | TPA-A0 | RS          | LS         | MAL               | CPA | MSEAL    | RSEAL     | 72   | -  | 70 | -  | -  | -  | 66 | -  | -  | -  | 62 | -  | 60 | -  | 58 | -  | -  | 55 | 54 | 53 |        |          |                                     |
|  |                      |                   |             |        |             |            |                   |     |          |           | 52   | 51 | -  | -  | 48 | -  | 46 | 45 | 44 | 43 | 42 | -  | 40 | -  | -  | -  | -  | 35 | -  | -  |        |          |                                     |
|  |                      |                   |             |        |             |            |                   |     |          |           |  |    |    |    | -  | -  | -  | -  | -  | -  | 26 | 25 | -  | -  | -  | 21 | -  | -  | -  | 17 |        |          |                                     |
|  |                      |                   |             |        |             |            |                   |     |          |           |  |    |    |    | -  | 15 | 14 | -  | -  | -  | -  | -  | 8  | -  | 6  | 5  | -  | 3  | 2  | 1  |        |          |                                     |
| MX123 CONN ASSY 73 CKT BLK OPT0 KEY A/36 | 345662653            | C-HSG-A0          | G-CAP-0-P   | TPA-A0 | RS          | LS         | MAL               | CPA | MSEAL    | RSEAL     | 72   | -  | 70 | -  | -  | -  | 66 | -  | -  | -  | 63 | 62 | -  | 60 | -  | 58 | -  | -  | 55 | 54 | 53     |          |                                     |
|  |                      |                   |             |        |             |            |                   |     |          |           | 52   | 51 | -  | -  | 48 | -  | 46 | 45 | 44 | 43 | 42 | -  | 40 | -  | -  | -  | -  | 35 | 34 | -  |        |          |                                     |
|  |                      |                   |             |        |             |            |                   |     |          |           |  |    |    |    | -  | -  | -  | -  | -  | -  | 26 | 25 | -  | -  | -  | 21 | -  | -  | -  | 17 |        |          |                                     |
|  |                      |                   |             |        |             |            |                   |     |          |           |  |    |    |    | -  | 15 | 14 | 13 | 12 | -  | -  | -  | 8  | -  | 6  | 5  | -  | 3  | 2  | 1  |        |          |                                     |
| MX123 CONN ASSY 73 CKT GRY OPT0 KEY B/27 | 345662693            | C-HSG-B0          | G-CAP-0-P   | TPA-B0 | RS          | LS         | MAL               | CPA | MSEAL    | RSEAL     | 72   | -  | -  | 69 | -  | 67 | -  | -  | -  | 64 | 63 | 62 | 61 | -  | -  | -  | -  | 56 | 55 | -  | -      |          |                                     |
|  |                      |                   |             |        |             |            |                   |     |          |           | 52   | -  | -  | -  | -  | 47 | -  | -  | 44 | -  | -  | -  | -  | -  | -  | -  | -  | -  | 34 | -  |        |          |                                     |
|  |                      |                   |             |        |             |            |                   |     |          |           |  |    |    |    | -  | -  | -  | 29 | 28 | 27 | 26 | 25 | -  | -  | -  | 21 | -  | 19 | 18 | 17 |        |          |                                     |
|  |                      |                   |             |        |             |            |                   |     |          |           |  |    |    |    | -  | -  | 14 | -  | -  | -  | -  | -  | -  | -  | -  | -  | -  | 3  | 2  | 1  |        |          |                                     |
| MX123 CONN ASSY 73 CKT GRY OPT0 KEY B/55 | 345662703            | C-HSG-B0          | G-CAP-0-P   | TPA-B0 | RS          | LS         | MAL               | CPA | MSEAL    | RSEAL     | 72   | 71 | 70 | 69 | 68 | 67 | 66 | -  | 64 | 63 | 62 | 61 | 60 | -  | 58 | -  | 56 | -  | 54 | -  |        |          |                                     |
|  |                      |                   |             |        |             |            |                   |     |          |           | 52   | 51 | 50 | -  | -  | -  | 46 | 45 | -  | 43 | 42 | 41 | 40 | -  | 38 | -  | 36 | -  | 34 | -  |        |          |                                     |
|  |                      |                   |             |        |             |            |                   |     |          |           |  |    |    |    | 32 | 31 | 30 | -  | -  | 27 | 26 | 25 | 24 | -  | 22 | -  | 20 | 19 | 18 | 17 |        |          |                                     |
|  |                      |                   |             |        |             |            |                   |     |          |           |  |    |    |    | 16 | 15 | 14 | 13 | 12 | 11 | 10 | 9  | 8  | -  | 6  | 5  | 4  | 3  | 2  | 1  |        |          |                                     |
| MX123 CONN ASSY 73 CKT BLK OPT0 KEY A/33 | 345662713            | C-HSG-A0          | G-CAP-0-P   | TPA-A0 | RS          | LS         | MAL               | CPA | MSEAL    | RSEAL     | 72   | 71 | 70 | -  | -  | 67 | 66 | -  | -  | -  | 62 | -  | -  | -  | -  | 57 | -  | 55 | 54 | 53 |        |          |                                     |
|  |                      |                   |             |        |             |            |                   |     |          |           | -  | 51 | -  | -  | 48 | -  | 46 | 45 | 44 | 43 | 42 | -  | 40 | 39 | -  | -  | -  | 35 | -  | -  |        |          |                                     |
|  |                      |                   |             |        |             |            |                   |     |          |           |  |    |    |    | -  | -  | -  | -  | -  | -  | 26 | -  | -  | -  | 22 | 21 | -  | -  | -  | -  |        |          |                                     |
|  |                      |                   |             |        |             |            |                   |     |          |           |  |    |    |    | -  | 15 | 14 | -  | -  | -  | -  | -  | 8  | 7  | 6  | 5  | 4  | 3  | 2  | -  |        |          |                                     |
| MX123 CONN ASSY 73 CKT GRY OPT0 KEY B/20 | 345662723            | C-HSG-B0          | G-CAP-0-P   | TPA-B0 | RS          | LS         | MAL               | CPA | MSEAL    | RSEAL     | 72   | -  | -  | 69 | -  | 67 | -  | -  | -  | -  | 62 | 61 | -  | -  | -  | -  | -  | -  | -  |    |        |          |                                     |
|  |                      |                   |             |        |             |            |                   |     |          |           | 52   | -  | -  | -  | -  | 47 | -  | -  | 44 | -  | -  | -  | -  | -  | -  | -  | -  | -  | 34 | -  |        |          |                                     |
|  |                      |                   |             |        |             |            |                   |     |          |           |  |    |    |    | -  | -  | -  | 29 | 28 | 27 | 26 | 25 | -  | -  | -  | 21 | -  | -  | 18 | 17 |        |          |                                     |
|  |                      |                   |             |        |             |            |                   |     |          |           |  |    |    |    | -  | -  | 14 | -  | -  | -  | -  | -  | -  | -  | -  | -  | -  | -  | -  | 1  |        |          |                                     |
| MX123 CONN ASSY 73 CKT BLK OPT0 KEY A/35 | 345662733            | C-HSG-A0          | G-CAP-0-P   | TPA-A0 | RS          | LS         | MAL               | CPA | MSEAL    | RSEAL     | 72   | 71 | -  | 69 | -  | -  | -  | -  | 64 | 63 | 62 | 61 | 60 | 59 | -  | -  | 56 | -  | 54 | 53 |        |          |                                     |
|  |                      |                   |             |        |             |            |                   |     |          |           | 52   | 51 | 50 | -  | 48 | -  | 46 | 45 | -  | -  | -  | -  | 40 | -  | 38 | -  | 36 | 35 | 34 | 33 |        |          |                                     |
|  |                      |                   |             |        |             |            |                   |     |          |           |  |    |    |    | -  | 31 | -  | 29 | 28 | -  | 26 | -  | -  | -  | 22 | -  | -  | -  | -  | -  |        |          |                                     |
|  |                      |                   |             |        |             |            |                   |     |          |           |  |    |    |    | -  | -  | 14 | -  | 12 | 11 | -  | -  | -  | 7  | -  | -  | 4  | -  | -  | -  |        |          |                                     |
| MX123 CONN ASSY 73 CKT BLU OPT0 KEY C/41 | 345662743            | C-HSG-C0          | G-CAP-0-P   | TPA-C0 | RS          | LS         | MAL               | CPA | MSEAL    | RSEAL     | -  | 71 | -  | 69 | 68 | -  | -  | 65 | 64 | -  | -  | 61 | 60 | -  | 58 | -  | 56 | 55 | 54 | -  |        |          |                                     |
|  |                      |                   |             |        |             |            |                   |     |          |           | -  | -  | 50 | 49 | 48 | 47 | -  | 45 | -  | 43 | -  | 41 | -  | -  | 38 | 37 | 36 | 35 | -  | -  |        |          |                                     |
|  |                      |                   |             |        |             |            |                   |     |          |           |  |    |    |    | -  | 31 | -  | 29 | 28 | 27 | -  | -  | 24 | 23 | -  | -  | -  | 19 | 18 | 17 |        |          |                                     |
|  |                      |                   |             |        |             |            |                   |     |          |           |  |    |    |    | 16 | -  | -  | 13 | 12 | 11 | -  | -  | 8  | 7  | -  | -  | -  | 3  | 2  | 1  |        |          |                                     |



| ASSEMBLY DESCRIPTION                     | ASSEMBLY PART NUMBER | CONNECTOR HOUSING | GROMMET CAP | TPA    | RIGHT SLIDE | LEFT SLIDE | MATE ASSIST LEVER | CPA | MAT SEAL | RING SEAL | BLOCKED TERMINALS  |    |    |    |    |    |    |    |    |    |    |    |    |    |    |    | STATUS | COMMENTS | INTEGRAL COMPONENTS SOLD SEPARATELY |          |          |           |           |           |
|--|----------------------|-------------------|-------------|--------|-------------|------------|-------------------|-----|----------|-----------|--|----|----|----|----|----|----|----|----|----|----|----|----|----|----|----|--------|----------|-------------------------------------|----------|----------|-----------|-----------|-----------|
|  |                      |                   |             |        |             |            |                   |     |          |           | CAVITY WITH A NUMBER INDICATES BLOCKED TERMINAL POSITION |    |    |    |    |    |    |    |    |    |    |    |    |    |    |    |        |          | DRESS COVER                         |          |          |           |           |           |
|  |                      |                   |             |        |             |            |                   |     |          |           | CAVITY WITHOUT A NUMBER INDICATES OPEN TERMINAL POSITION |    |    |    |    |    |    |    |    |    |    |    |    |    |    |    |        |          |                                     |          |          |           |           |           |
| MX123 CONN ASSY 73 CKT BLK OPT0 KEY A/24 | 345662903            | C-HSG-A0          | G-CAP-0-P   | TPA-A0 | RS          | LS         | MAL               | CPA | MSEAL    | RSEAL     | -  | -  | -  | -  | -  | -  | -  | -  | 65 | -  | -  | -  | -  | 60 | -  | 58 | 57     | 56       | -                                   | -        | -        | SALEABLE  |           | 345650003 |
|  |                      |                   |             |        |             |            |                   |     |          |           | -  | -  | 50 | -  | -  | 47 | 46 | 45 | -  | -  | -  | -  | 40 | -  | 38 | 37 | 36     | -        | -                                   | -        |          |           |           |           |
|  |                      |                   |             |        |             |            |                   |     |          |           | -  | -  | -  | -  | -  | 30 | -  | 28 | -  | 26 | -  | 24 | -  | 22 | 21 | 20 | -      | -        | -                                   |          |          |           |           |           |
| MX123 CONN ASSY 73 CKT GRY OPT0 KEY B/55 | 345662913            | C-HSG-B0          | G-CAP-0-P   | TPA-B0 | RS          | LS         | MAL               | CPA | MSEAL    | RSEAL     | 72   | 71 | 70 | 69 | -  | -  | 66 | 65 | -  | 63 | 62 | 61 | 60 | 59 | -  | 57 | 56     | 55       | 54                                  | 53       | SALEABLE |           | 345650003 |           |
|  |                      |                   |             |        |             |            |                   |     |          |           | 52   | 51 | 50 | 49 | 48 | 47 | -  | -  | 44 | 43 | 42 | 41 | 40 | 39 | -  | 37 | 36     | 35       | 34                                  | 33       |          |           |           |           |
|  |                      |                   |             |        |             |            |                   |     |          |           | -  | -  | -  | -  | -  | 31 | -  | -  | -  | -  | 26 | 25 | 24 | 23 | -  | 21 | 20     | 19       | 18                                  | -        |          |           |           |           |
| MX123 CONN ASSY 73 CKT GRY OPT0 KEY B/59 | 345662923            | C-HSG-B0          | G-CAP-0-P   | TPA-B0 | RS          | LS         | MAL               | CPA | MSEAL    | RSEAL     | 72   | 71 | 70 | 69 | -  | -  | 66 | 65 | -  | 63 | 62 | 61 | 60 | 59 | 58 | 57 | 56     | 55       | 54                                  | 53       | SALEABLE |           | 345650003 |           |
|  |                      |                   |             |        |             |            |                   |     |          |           | 52   | 51 | 50 | 49 | 48 | 47 | -  | -  | 44 | 43 | 42 | 41 | 40 | 39 | 38 | 37 | 36     | 35       | 34                                  | 33       |          |           |           |           |
|  |                      |                   |             |        |             |            |                   |     |          |           | -  | -  | -  | -  | -  | 31 | -  | -  | -  | -  | 26 | 25 | 24 | 23 | 22 | 21 | 20     | 19       | 18                                  | -        |          |           |           |           |
| MX123 CONN ASSY 73 CKT BLK OPT0 KEY A/37 | 345662933            | C-HSG-A0          | G-CAP-0-P   | TPA-A0 | RS          | LS         | MAL               | CPA | MSEAL    | RSEAL     | -  | 71 | 70 | -  | 68 | -  | 66 | -  | 64 | -  | 62 | 61 | -  | 59 | 58 | -  | -      | 55       | 54                                  | -        | SALEABLE |           | 345650003 |           |
|  |                      |                   |             |        |             |            |                   |     |          |           | 52   | 51 | 50 | -  | 48 | -  | 46 | 45 | -  | -  | 42 | 41 | -  | 39 | 38 | -  | -      | -        | 34                                  | -        |          |           |           |           |
|  |                      |                   |             |        |             |            |                   |     |          |           | -  | -  | -  | -  | 32 | -  | -  | -  | -  | 27 | 26 | 25 | -  | 23 | 22 | -  | -      | 19       | 18                                  | -        |          |           |           |           |
| MX123 CONN ASSY 73 CKT GRY OPT0 KEY B/23 | 345662943            | C-HSG-B0          | G-CAP-0-P   | TPA-B0 | RS          | LS         | MAL               | CPA | MSEAL    | RSEAL     | 72   | 71 | 70 | 69 | -  | -  | 66 | 65 | -  | -  | 62 | 61 | 60 | -  | 58 | -  | 56     | 55       | 54                                  | 53       | SALEABLE |           | 345650003 |           |
|  |                      |                   |             |        |             |            |                   |     |          |           | 52   | 51 | 50 | 49 | 48 | 47 | -  | -  | 44 | -  | 42 | 41 | 40 | -  | 38 | -  | 36     | 35       | 34                                  | 33       |          |           |           |           |
|  |                      |                   |             |        |             |            |                   |     |          |           | -  | -  | -  | -  | -  | 31 | -  | -  | -  | -  | 26 | 25 | 24 | 23 | 22 | -  | 20     | 19       | 18                                  | 17       |          |           |           |           |
| MX123 CONN ASSY 73 CKT GRY OPT0 KEY B/21 | 345662953            | C-HSG-B0          | G-CAP-0-P   | TPA-B0 | RS          | LS         | MAL               | CPA | MSEAL    | RSEAL     | 72   | 71 | 70 | 69 | -  | -  | 66 | 65 | -  | -  | 62 | 61 | 60 | -  | 58 | 57 | 56     | 55       | 54                                  | 53       | SALEABLE |           | 345650003 |           |
|  |                      |                   |             |        |             |            |                   |     |          |           | 52   | 51 | 50 | 49 | 48 | 47 | -  | -  | 44 | -  | 42 | 41 | 40 | -  | 38 | 37 | 36     | 35       | -                                   | 33       |          |           |           |           |
|  |                      |                   |             |        |             |            |                   |     |          |           | -  | -  | -  | -  | -  | 31 | -  | -  | -  | -  | 26 | 25 | 24 | 23 | 22 | 21 | 20     | 19       | 18                                  | 17       |          |           |           |           |
| MX123 CONN ASSY 73 CKT BLK OPT9 KEY A/38 | 345662983            | C-HSG-A9          | G-CAP-9-P   | TPA-A9 | RS          | LS         | MAL               | CPA | MSEAL    | RSEAL     | 72   | 71 | -  | -  | 68 | 67 | 66 | 65 | 64 | -  | -  | -  | 60 | 59 | -  | -  | -      | -        | -                                   | -        | SALEABLE |           | 345650003 |           |
|  |                      |                   |             |        |             |            |                   |     |          |           | -  | -  | 50 | -  | 48 | 47 | 46 | 45 | -  | -  | -  | -  | 40 | 39 | 38 | -  | -      | 35       | -                                   | 33       |          |           |           |           |
|  |                      |                   |             |        |             |            |                   |     |          |           | -  | -  | -  | -  | -  | 31 | 30 | -  | -  | -  | -  | 25 | 24 | 23 | 22 | 21 | 20     | -        | -                                   | -        |          |           |           |           |
| MX123 CONN ASSY 73 CKT GRY OPT9 KEY B/49 | 345662993            | C-HSG-B9          | G-CAP-9-P   | TPA-B9 | RS          | LS         | MAL               | CPA | MSEAL    | RSEAL     | -  | -  | -  | 69 | -  | -  | -  | 65 | 64 | 63 | -  | -  | -  | -  | -  | -  | -      | -        | -                                   | SALEABLE |          | 345650003 |           |           |
|  |                      |                   |             |        |             |            |                   |     |          |           | -  | -  | -  | 49 | -  | -  | -  | 45 | 44 | 43 | -  | -  | -  | -  | -  | -  | -      | -        | -                                   |          |          |           | -         |           |
|  |                      |                   |             |        |             |            |                   |     |          |           | -  | -  | -  | -  | -  | -  | -  | -  | -  | -  | -  | -  | -  | 23 | 22 | 21 | 20     | 19       | 18                                  |          |          |           | 17        |           |
| MX123 CONN ASSY 73 CKT BLK OPT0 KEY A/6  | 345663003            | C-HSG-A0          | G-CAP-0-P   | TPA-A0 | RS          | LS         | MAL               | CPA | MSEAL    | RSEAL     | -  | -  | -  | -  | -  | -  | -  | 65 | -  | -  | -  | 61 | -  | -  | -  | -  | -      | -        | -                                   | SALEABLE |          | 345650003 |           |           |
|  |                      |                   |             |        |             |            |                   |     |          |           | -  | -  | -  | -  | -  | -  | -  | 45 | -  | -  | -  | -  | -  | -  | -  | -  | -      | -        | -                                   |          |          |           | -         |           |
|  |                      |                   |             |        |             |            |                   |     |          |           | -  | -  | -  | -  | -  | -  | -  | -  | -  | -  | 26 | -  | -  | -  | -  | -  | -      | -        | -                                   |          |          |           | -         |           |
| MX123 CONN ASSY 73 CKT BLU OPT9 KEY C/41 | 345663013            | C-HSG-C9          | G-CAP-9-P   | TPA-C9 | RS          | LS         | MAL               | CPA | MSEAL    | RSEAL     | -  | -  | -  | -  | -  | -  | -  | 65 | 64 | -  | -  | 61 | 60 | -  | 58 | -  | -      | -        | 54                                  | -        | SALEABLE |           | 345650003 |           |
|  |                      |                   |             |        |             |            |                   |     |          |           | -  | -  | 50 | 49 | 48 | 47 | -  | 45 | -  | 43 | -  | 41 | -  | -  | -  | 37 | 36     | 35       | -                                   | -        |          |           |           |           |
|  |                      |                   |             |        |             |            |                   |     |          |           | -  | -  | -  | -  | -  | 31 | -  | 29 | 28 | 27 | -  | -  | 24 | 23 | -  | -  | 20     | -        | -                                   | 17       |          |           |           |           |
| MX123 CONN ASSY 73 CKT BLU OPT0 KEY C/37 | 345663043            | C-HSG-C0          | G-CAP-0-P   | TPA-C0 | RS          | LS         | MAL               | CPA | MSEAL    | RSEAL     | -  | 71 | -  | 69 | -  | 67 | -  | 65 | 64 | -  | -  | 61 | 60 | -  | 58 | -  | 56     | 55       | 54                                  | -        | SALEABLE |           | 345650003 |           |
|  |                      |                   |             |        |             |            |                   |     |          |           | -  | -  | 50 | 49 | -  | -  | -  | 45 | -  | 43 | -  | 41 | -  | -  | 38 | 37 | 36     | 35       | -                                   | -        |          |           |           |           |
|  |                      |                   |             |        |             |            |                   |     |          |           | -  | -  | -  | -  | -  | 31 | -  | 29 | 28 | -  | -  | 24 | 23 | -  | -  | -  | 19     | 18       | 17                                  | -        |          |           |           |           |
| MX123 CONN ASSY 73 CKT BLU OPT0 KEY C/38 | 345663053            | C-HSG-C0          | G-CAP-0-P   | TPA-C0 | RS          | LS         | MAL               | CPA | MSEAL    | RSEAL     | -  | 71 | -  | 69 | -  | 67 | -  | 65 | 64 | -  | -  | 61 | 60 | -  | 58 | -  | 56     | 55       | 54                                  | -        | SALEABLE |           | 345650003 |           |
|  |                      |                   |             |        |             |            |                   |     |          |           | -  | -  | 50 | 49 | -  | -  | -  | 45 | -  | 43 | -  | 41 | -  | -  | 37 | 36 | 35     | -        | -                                   |          |          |           |           |           |
|  |                      |                   |             |        |             |            |                   |     |          |           | -  | -  | -  | -  | -  | 31 | -  | 29 | 28 | -  | -  | 24 | 23 | -  | -  | -  | 19     | 18       | 17                                  | -        |          |           |           |           |





| ASSEMBLY DESCRIPTION                     | ASSEMBLY PART NUMBER | CONNECTOR HOUSING | GROMMET CAP | TPA    | RIGHT SLIDE | LEFT SLIDE | MATE ASSIST LEVER | CPA | MAT SEAL | RING SEAL | BLOCKED TERMINALS  |    |    |    |    |    |    |    |    |    |    |    |    |    |    |    |          |    | STATUS    | COMMENTS | INTEGRAL COMPONENTS SOLD SEPARATELY |          |           |
|--|----------------------|-------------------|-------------|--------|-------------|------------|-------------------|-----|----------|-----------|--|----|----|----|----|----|----|----|----|----|----|----|----|----|----|----|----------|----|-----------|----------|-------------------------------------|----------|-----------|
|  |                      |                   |             |        |             |            |                   |     |          |           | CAVITY WITH A NUMBER INDICATES BLOCKED TERMINAL POSITION<br>CAVITY WITHOUT A NUMBER INDICATES OPEN TERMINAL POSITION |    |    |    |    |    |    |    |    |    |    |    |    |    |    |    |          |    |           |          | DRESS COVER                         |          |           |
|  |                      |                   |             |        |             |            |                   |     |          |           |  |    |    |    |    |    |    |    |    |    |    |    |    |    |    |    |          |    |           |          |                                     |          |           |
| MX123 CONN ASSY 73 CKT BLU OPT0 KEY C/30 | 345663183            | C-HSG-C0          | G-CAP-0-P   | TPA-C0 | RS          | LS         | MAL               | CPA | MSEAL    | RSEAL     | -  | 71 | -  | 69 | 68 | 67 | -  | 65 | 64 | -  | -  | 61 | 60 | -  | 58 | -  | -        | -  | 54        | -        |                                     |          |           |
|  |                      |                   |             |        |             |            |                   |     |          |           | -  | -  | 50 | 49 | 48 | 47 | -  | 45 | -  | 43 | -  | 41 | -  | -  | 38 | 37 | 36       | 35 | -         | -        |                                     |          |           |
|  |                      |                   |             |        |             |            |                   |     |          |           |  |    |    |    | 32 | 31 | -  | 29 | 28 | 27 | -  | -  | 24 | 23 | -  | -  | 20       | 19 | 18        | 17       |                                     |          |           |
|  |                      |                   |             |        |             |            |                   |     |          |           | -  | -  | -  | 13 | 12 | 11 | -  | -  | 8  | 7  | -  | 5  | 4  | 3  | 2  | 1  | SALEABLE |    | 345650003 |          |                                     |          |           |
|  |                      |                   |             |        |             |            |                   |     |          |           | 72   | 71 | 70 | -  | 68 | 67 | 66 | 65 | 64 | -  | 62 | 61 | 60 | 59 | -  | 57 |          |    |           | -        | -                                   | -        | -         |
|  |                      |                   |             |        |             |            |                   |     |          |           | -  | -  | 50 | -  | 48 | 47 | 46 | 45 | -  | -  | -  | -  | 40 | 39 | 38 | 37 |          |    |           | -        | -                                   | -        | -         |
|  |                      |                   |             |        |             |            |                   |     |          |           |  |    |    |    | -  | 31 | 30 | 29 | -  | 27 | -  | 25 | 24 | 23 | 22 | 21 | 20       | -  | -         | -        | SALEABLE                            |          | 345650003 |
|  |                      |                   |             |        |             |            |                   |     |          |           |  |    |    |    | -  | 15 | 14 | 13 | -  | 11 | -  | 9  | 8  | 7  | 6  | 5  | 4        | -  | -         | -        |                                     |          |           |
|  |                      |                   |             |        |             |            |                   |     |          |           | 72   | 71 | 70 | 69 | 68 | -  | 66 | 65 | 64 | 63 | 62 | 61 | -  | -  | -  | -  | -        | -  | 54        | -        |                                     |          |           |
| MX123 CONN ASSY 73 CKT GRY OPT0 KEY B/42 | 345663203            | C-HSG-B0          | G-CAP-0-P   | TPA-B0 | RS          | LS         | MAL               | CPA | MSEAL    | RSEAL     | 52   | 51 | -  | -  | -  | 47 | -  | 45 | 44 | 43 | 42 | 41 | 40 | -  | -  | -  | 36       | -  | -         |          |                                     |          |           |
|  |                      |                   |             |        |             |            |                   |     |          |           |  |    |    |    | 32 | 31 | 30 | -  | 28 | 27 | 26 | 25 | 24 | -  | -  | 20 | 19       | -  | 17        |          |                                     |          |           |
|  |                      |                   |             |        |             |            |                   |     |          |           |  |    |    |    | -  | -  | -  | 13 | 12 | 11 | 10 | 9  | 8  | -  | -  | -  | -        | -  | 2         | 1        | SALEABLE                            |          | 345650003 |
|  |                      |                   |             |        |             |            |                   |     |          |           | -  | -  | -  | -  | -  | -  | -  | -  | -  | -  | -  | -  | -  | -  | -  |    |          |    |           |          |                                     |          |           |
|  |                      |                   |             |        |             |            |                   |     |          |           | -  | 71 | -  | 69 | 68 | -  | -  | 65 | 64 | -  | -  | 61 | 60 | -  | 58 | 57 | -        | 55 | 54        | -        |                                     |          |           |
| MX123 CONN ASSY 73 CKT BLU OPT0 KEY C/31 | 345663213            | C-HSG-C0          | G-CAP-0-P   | TPA-C0 | RS          | LS         | MAL               | CPA | MSEAL    | RSEAL     | -  | -  | 50 | 49 | 48 | 47 | -  | 45 | -  | 43 | -  | 41 | -  | 39 | 38 | 37 | 36       | 35 | -         | -        |                                     |          |           |
|  |                      |                   |             |        |             |            |                   |     |          |           |  |    |    |    | -  | 31 | -  | 29 | 28 | 27 | -  | -  | 24 | 23 | -  | -  | 20       | 19 | 18        | 17       |                                     |          |           |
|  |                      |                   |             |        |             |            |                   |     |          |           |  |    |    |    | 16 | -  | -  | 13 | 12 | 11 | -  | -  | 8  | 7  | -  | -  | -        | -  | 3         | 2        | 1                                   | SALEABLE |           |
|  |                      |                   |             |        |             |            |                   |     |          |           | -  | -  | -  | -  | -  | -  | -  | -  | -  | -  | -  | -  | -  | -  | -  |    |          |    |           |          |                                     |          |           |
|  |                      |                   |             |        |             |            |                   |     |          |           | -  | 71 | -  | 69 | 68 | -  | -  | 65 | 64 | -  | -  | 61 | 60 | -  | 58 | -  | 56       | 55 | 54        | -        |                                     |          |           |
| MX123 CONN ASSY 73 CKT BLU OPT0 KEY C/33 | 345663223            | C-HSG-C0          | G-CAP-0-P   | TPA-C0 | RS          | LS         | MAL               | CPA | MSEAL    | RSEAL     | -  | -  | 50 | 49 | 48 | 47 | -  | 45 | -  | 43 | -  | 41 | -  | -  | 38 | 37 | 36       | 35 | -         | -        |                                     |          |           |
|  |                      |                   |             |        |             |            |                   |     |          |           |  |    |    |    | -  | 31 | -  | 29 | 28 | -  | -  | 24 | 23 | -  | -  | 20 | 19       | 18 | 17        |          |                                     |          |           |
|  |                      |                   |             |        |             |            |                   |     |          |           |  |    |    |    | 16 | -  | -  | 13 | 12 | 11 | -  | -  | 8  | 7  | -  | -  | -        | -  | 3         | 2        | 1                                   | SALEABLE |           |
|  |                      |                   |             |        |             |            |                   |     |          |           | -  | -  | -  | -  | -  | -  | -  | -  | -  | -  | -  | -  | -  | -  | -  |    |          |    |           |          |                                     |          |           |
|  |                      |                   |             |        |             |            |                   |     |          |           | 72   | 71 | -  | -  | 68 | 67 | 66 | 65 | 64 | -  | -  | -  | 60 | 59 | -  | -  | -        | -  | -         | -        |                                     |          |           |
| MX123 CONN ASSY 73 CKT BLK OPT0 KEY A/36 | 345663233            | C-HSG-A0          | G-CAP-0-P   | TPA-A0 | RS          | LS         | MAL               | CPA | MSEAL    | RSEAL     | -  | -  | 50 | -  | 48 | 47 | 46 | 45 | -  | -  | -  | -  | 40 | 39 | 38 | -  | -        | 35 | -         | 33       |                                     |          |           |
|  |                      |                   |             |        |             |            |                   |     |          |           |  |    |    |    | -  | 31 | 30 | -  | -  | -  | -  | 25 | 24 | 23 | 22 | 21 | 20       | -  | -         | 17       |                                     |          |           |
|  |                      |                   |             |        |             |            |                   |     |          |           |  |    |    |    | -  | -  | 14 | -  | -  | -  | -  | 9  | 8  | 7  | 6  | 5  | 4        | -  | 2         | 1        | SALEABLE                            |          | 345650003 |
|  |                      |                   |             |        |             |            |                   |     |          |           | -  | -  | -  | -  | -  | -  | -  | -  | -  | -  | -  | -  | -  | -  | -  |    |          |    |           |          |                                     |          |           |
|  |                      |                   |             |        |             |            |                   |     |          |           | -  | 71 | -  | 69 | 68 | 67 | -  | 65 | 64 | -  | -  | 61 | 60 | -  | 58 | -  | 56       | 55 | 54        | -        |                                     |          |           |
| MX123 CONN ASSY 73 CKT BLU OPT0 KEY C/31 | 345663243            | C-HSG-C0          | G-CAP-0-P   | TPA-C0 | RS          | LS         | MAL               | CPA | MSEAL    | RSEAL     | -  | -  | 50 | 49 | 48 | 47 | -  | 45 | -  | 43 | -  | 41 | -  | -  | 38 | 37 | 36       | 35 | -         | -        |                                     |          |           |
|  |                      |                   |             |        |             |            |                   |     |          |           |  |    |    |    | -  | 31 | -  | 29 | 28 | 27 | -  | -  | 24 | 23 | -  | -  | 20       | 19 | 18        | 17       |                                     |          |           |
|  |                      |                   |             |        |             |            |                   |     |          |           |  |    |    |    | 16 | -  | -  | 13 | 12 | 11 | -  | -  | 8  | 7  | -  | -  | -        | -  | 3         | 2        | 1                                   | SALEABLE |           |
|  |                      |                   |             |        |             |            |                   |     |          |           | -  | -  | -  | -  | -  | -  | -  | -  | -  | -  | -  | -  | -  | -  | -  |    |          |    |           |          |                                     |          |           |
|  |                      |                   |             |        |             |            |                   |     |          |           | 72   | 71 | -  | -  | 68 | 67 | 66 | 65 | 64 | -  | 62 | 61 | 60 | 59 | -  | 57 | -        | -  | -         | -        |                                     |          |           |
| MX123 CONN ASSY 73 CKT BLK OPT0 KEY A/28 | 345663253            | C-HSG-A0          | G-CAP-0-P   | TPA-A0 | RS          | LS         | MAL               | CPA | MSEAL    | RSEAL     | -  | -  | 50 | -  | 48 | 47 | 46 | 45 | -  | -  | -  | -  | 40 | 39 | 38 | 37 | -        | 35 | -         | 33       |                                     |          |           |
|  |                      |                   |             |        |             |            |                   |     |          |           |  |    |    |    | -  | 31 | 30 | 29 | -  | 27 | -  | 25 | 24 | 23 | 22 | 21 | 20       | -  | -         | 17       |                                     |          |           |
|  |                      |                   |             |        |             |            |                   |     |          |           |  |    |    |    | -  | -  | 14 | 13 | -  | 11 | -  | 9  | 8  | 7  | 6  | 5  | 4        | -  | 2         | 1        | SALEABLE                            |          | 345650003 |
|  |                      |                   |             |        |             |            |                   |     |          |           | -  | -  | -  | -  | -  | -  | -  | -  | -  | -  | -  | -  | -  | -  | -  |    |          |    |           |          |                                     |          |           |
|  |                      |                   |             |        |             |            |                   |     |          |           | -  | 71 | -  | 69 | 68 | 67 | -  | 65 | 64 | -  | -  | 61 | 60 | -  | 58 | -  | 56       | 55 | 54        | -        |                                     |          |           |
| MX123 CONN ASSY 73 CKT BLU OPT0 KEY C/36 | 345663263            | C-HSG-C0          | G-CAP-0-P   | TPA-C0 | RS          | LS         | MAL               | CPA | MSEAL    | RSEAL     | -  | -  | 50 | 49 | 48 | 47 | -  | 45 | -  | 43 | -  | 41 | -  | -  | 38 | 37 | 36       | 35 | -         | -        |                                     |          |           |
|  |                      |                   |             |        |             |            |                   |     |          |           |  |    |    |    | -  | 31 | -  | 29 | 28 | 27 | -  | -  | 24 | 23 | -  | -  | 20       | 19 | 18        | 17       |                                     |          |           |
|  |                      |                   |             |        |             |            |                   |     |          |           |  |    |    |    | 16 | -  | -  | 13 | 12 | 11 | -  | -  | 8  | 7  | -  | -  | -        | -  | 3         | 2        | 1                                   | SALEABLE |           |
|  |                      |                   |             |        |             |            |                   |     |          |           | -  | -  | -  | -  | -  | -  | -  | -  | -  | -  | -  | -  | -  | -  | -  |    |          |    |           |          |                                     |          |           |
|  |                      |                   |             |        |             |            |                   |     |          |           | 72   | 71 | -  | -  | 68 | 67 | 66 | 65 | 64 | -  | 62 | 61 | 60 | 59 | -  | 57 | -        | -  | -         | -        |                                     |          |           |
| MX123 CONN ASSY 73 CKT BLK OPT0 KEY A/31 | 345663273            | C-HSG-A0          | G-CAP-0-P   | TPA-A0 | RS          | LS         | MAL               | CPA | MSEAL    | RSEAL     | -  | -  | 50 | -  | 48 | 47 | 46 | 45 | -  | -  | -  | -  | 40 | 39 | 38 | 37 | -        | 35 | -         | 33       |                                     |          |           |
|  |                      |                   |             |        |             |            |                   |     |          |           |  |    |    |    | -  | 31 | 30 | 29 | -  | 27 | -  | 25 | 24 | 23 | 22 | 21 | 20       | -  | -         | 17       |                                     |          |           |
|  |                      |                   |             |        |             |            |                   |     |          |           |  |    |    |    | -  | -  | 14 | 13 | -  | 11 | -  | 9  | 8  | 7  | 6  | 5  | 4        | -  | 2         | 1        | SALEABLE                            |          | 345650003 |
|  |                      |                   |             |        |             |            |                   |     |          |           | -  | -  | -  | -  | -  | -  | -  | -  | -  | -  | -  | -  | -  | -  | -  |    |          |    |           |          |                                     |          |           |
|  |                      |                   |             |        |             |            |                   |     |          |           | -  | 71 | -  | 69 | 68 | -  | -  | 65 | 64 | -  | -  | 61 | 60 | -  | 58 | -  | 56       | 55 | 54        | -        |                                     |          |           |
| MX123 CONN ASSY 73 CKT BLU OPT0 KEY C/31 | 345663283            | C-HSG-C0          | G-CAP-0-P   | TPA-C0 | RS          | LS         | MAL               | CPA | MSEAL    | RSEAL     | -  | -  | 50 | 49 | 48 | 47 | -  | 45 | -  | 43 | -  | 41 | -  | -  | 38 | 37 | 36       | 35 | -         | -        |                                     |          |           |
|  |                      |                   |             |        |             |            |                   |     |          |           |  |    |    |    | -  | 31 | -  | 29 | 28 | 27 | -  | -  | 24 | 23 | -  | -  | 20       | 19 | 18        | 17       |                                     |          |           |
|  |                      |                   |             |        |             |            |                   |     |          |           |  |    |    |    | 16 | -  | -  | 13 | 12 | 11 | -  | -  | 8  | 7  | -  | -  | -        | -  | 3         | 2        | 1                                   | SALEABLE |           |
|  |                      |                   |             |        |             |            |                   |     |          |           | -  | -  | -  | -  | -  | -  | -  | -  | -  | -  | -  | -  | -  | -  | -  |    |          |    |           |          |                                     |          |           |
|  |                      |                   |             |        |             |            |                   |     |          |           | -  | -  | -  | 69 | -  | -  | -  | 65 | 64 | 63 | -  | -  | -  | -  | -  | -  | -        | -  | -         | -        |                                     |          |           |
| MX123 CONN ASSY 73 CKT GRY OPT0 KEY B/49 | 345663293            | C-HSG-B0          | G-CAP-0-P   | TPA-B0 | RS          | LS         | MAL               | CPA | MSEAL    | RSEAL     | -  | -  | -  | 49 | -  | -  | 46 | 45 | 44 | 43 | -  | -  | -  | -  | -  | -  | -        | -  | -         |          |                                     |          |           |
|  |                      |                   |             |        |             |            |                   |     |          |           |  |    |    |    | -  | -  | -  | -  | -  | -  | -  | -  | -  | -  | 22 | 21 | 20       | 19 | 18        | 17       |                                     |          |           |
|  |                      |                   |             |        |             |            |                   |     |          |           |  |    |    |    | -  | -  | -  | -  | 12 | 11 | -  | -  | -  | 7  | 6  | 5  | 4        | 3  | 2         | 1        | SALEABLE                            |          | 345650003 |
|  |                      |                   |             |        |             |            |                   |     |          |           | -  | -  | -  | -  | -  | -  | -  | -  | -  | -  | -  | -  | -  | -  | -  |    |          |    |           |          |                                     |          |           |

| ASSEMBLY DESCRIPTION                     | ASSEMBLY PART NUMBER | CONNECTOR HOUSING | GROMMET CAP | TPA    | RIGHT SLIDE | LEFT SLIDE | MATE ASSIST LEVER | CPA | MAT SEAL | RING SEAL | BLOCKED TERMINALS  |    |    |    |    |    |    |    |    |    |    |    |    |    |    |    |    |    | STATUS | COMMENTS | INTEGRAL COMPONENTS SOLD SEPARATELY |
|--|----------------------|-------------------|-------------|--------|-------------|------------|-------------------|-----|----------|-----------|--|----|----|----|----|----|----|----|----|----|----|----|----|----|----|----|----|----|--------|----------|-------------------------------------|
|  |                      |                   |             |        |             |            |                   |     |          |           | CAVITY WITH A NUMBER INDICATES BLOCKED TERMINAL POSITION |    |    |    |    |    |    |    |    |    |    |    |    |    |    |    |    |    |        |          | DRESS COVER                         |
|  |                      |                   |             |        |             |            |                   |     |          |           | CAVITY WITHOUT A NUMBER INDICATES OPEN TERMINAL POSITION |    |    |    |    |    |    |    |    |    |    |    |    |    |    |    |    |    |        |          |                                     |
| MX123 CONN ASSY 73 CKT GRY OPT0 KEY B/44 | 345663303            | C-HSG-B0          | G-CAP-0-P   | TPA-B0 | RS          | LS         | MAL               | CPA | MSEAL    | RSEAL     | 72   | 71 | 70 | 69 | 68 | 67 | 66 | 65 | 64 | 63 | 62 | 61 | 60 | -  | -  | -  | -  | -  | 54     | -        |                                     |
|  |                      |                   |             |        |             |            |                   |     |          |           | 52   | 51 | -  | -  | -  | 47 | -  | 45 | 44 | 43 | 42 | 41 | 40 | -  | -  | -  | 36 | -  | -      | -        |                                     |
|  |                      |                   |             |        |             |            |                   |     |          |           |  |    |    |    | 32 | 31 | 30 | -  | 28 | 27 | 26 | 25 | 24 | -  | -  | -  | 20 | 19 | -      | 17       |                                     |
| MX123 CONN ASSY 73 CKT BLU OPT0 KEY C/28 | 345663313            | C-HSG-C0          | G-CAP-0-P   | TPA-C0 | RS          | LS         | MAL               | CPA | MSEAL    | RSEAL     | -  | 71 | -  | 69 | 68 | 67 | 66 | 65 | 64 | -  | -  | 61 | 60 | -  | 58 | -  | 56 | 55 | 54     | -        |                                     |
|  |                      |                   |             |        |             |            |                   |     |          |           | -  | -  | 50 | 49 | 48 | 47 | -  | 45 | -  | 43 | -  | 41 | -  | -  | 38 | 37 | 36 | 35 | -      | -        |                                     |
|  |                      |                   |             |        |             |            |                   |     |          |           |  |    |    |    | -  | 31 | -  | 29 | 28 | 27 | -  | -  | 24 | 23 | -  | -  | 20 | 19 | 18     | 17       |                                     |
| MX123 CONN ASSY 73 CKT GRY OPT0 KEY B/25 | 345663323            | C-HSG-B0          | G-CAP-0-P   | TPA-B0 | RS          | LS         | MAL               | CPA | MSEAL    | RSEAL     | 72   | 71 | 70 | 69 | -  | -  | -  | -  | -  | -  | 62 | 61 | 60 | 59 | -  | 57 | 56 | -  | 54     | 53       |                                     |
|  |                      |                   |             |        |             |            |                   |     |          |           | 52   | 51 | 50 | -  | -  | 47 | -  | -  | -  | -  | 42 | 41 | 40 | 39 | -  | 37 | 36 | 35 | 34     | 33       |                                     |
|  |                      |                   |             |        |             |            |                   |     |          |           |  |    |    |    | -  | 31 | -  | -  | -  | -  | 26 | 25 | 24 | 23 | -  | 21 | 20 | 19 | 18     | -        |                                     |
| MX123 CONN ASSY 73 CKT BLK OPT0 KEY A/49 | 345663333            | C-HSG-A0          | G-CAP-0-P   | TPA-A0 | RS          | LS         | MAL               | CPA | MSEAL    | RSEAL     | -  | -  | -  | -  | -  | 67 | 66 | -  | -  | -  | 62 | -  | 60 | -  | -  | -  | 55 | -  | 53     |          |                                     |
|  |                      |                   |             |        |             |            |                   |     |          |           | -  | -  | -  | -  | 48 | -  | 46 | 45 | 44 | 43 | -  | -  | 40 | 39 | -  | -  | -  | 35 | -      | -        |                                     |
|  |                      |                   |             |        |             |            |                   |     |          |           |  |    |    |    | -  | -  | -  | -  | -  | -  | 25 | -  | -  | 22 | 21 | -  | -  | -  | -      | -        |                                     |
| MX123 CONN ASSY 73 CKT BLK OPT0 KEY A/41 | 345663343            | C-HSG-A0          | G-CAP-0-P   | TPA-A0 | RS          | LS         | MAL               | CPA | MSEAL    | RSEAL     | -  | 71 | 70 | -  | 68 | -  | -  | -  | 64 | -  | 62 | 61 | -  | 59 | 58 | -  | -  | 55 | 54     | -        |                                     |
|  |                      |                   |             |        |             |            |                   |     |          |           | 52   | 51 | 50 | -  | 48 | -  | 46 | 45 | -  | -  | -  | 41 | -  | 39 | 38 | -  | -  | -  | 34     | -        |                                     |
|  |                      |                   |             |        |             |            |                   |     |          |           |  |    |    |    | 32 | -  | -  | -  | -  | 27 | -  | 25 | -  | 23 | 22 | -  | -  | 19 | 18     | -        |                                     |
| MX123 CONN ASSY 73 CKT GRY OPT0 KEY B/23 | 345663353            | C-HSG-B0          | G-CAP-0-P   | TPA-B0 | RS          | LS         | MAL               | CPA | MSEAL    | RSEAL     | 72   | 71 | 70 | 69 | -  | -  | 66 | 65 | -  | 63 | 62 | 61 | 60 | -  | -  | 57 | 56 | 55 | -      | 53       |                                     |
|  |                      |                   |             |        |             |            |                   |     |          |           | 52   | 51 | 50 | 49 | 48 | 47 | -  | -  | 44 | 43 | 42 | 41 | 40 | -  | -  | 37 | 36 | 35 | 34     | 33       |                                     |
|  |                      |                   |             |        |             |            |                   |     |          |           |  |    |    |    | -  | 31 | -  | -  | -  | -  | 26 | 25 | 24 | -  | -  | 21 | 20 | 19 | 18     | -        |                                     |
| MX123 CONN ASSY 73 CKT BLK OPT0 KEY A/45 | 345663363            | C-HSG-A0          | G-CAP-0-P   | TPA-A0 | RS          | LS         | MAL               | CPA | MSEAL    | RSEAL     | 72   | -  | 70 | -  | -  | 67 | 66 | -  | -  | -  | 62 | -  | 60 | -  | 58 | -  | -  | 55 | -      | 53       |                                     |
|  |                      |                   |             |        |             |            |                   |     |          |           | -  | 51 | -  | -  | 48 | -  | 46 | 45 | 44 | 43 | -  | -  | -  | -  | -  | -  | -  | 35 | -      | -        |                                     |
|  |                      |                   |             |        |             |            |                   |     |          |           |  |    |    |    | -  | -  | -  | -  | -  | -  | 25 | -  | -  | -  | 21 | -  | -  | -  | 17     | -        |                                     |
| MX123 CONN ASSY 73 CKT BLU OPT9 KEY C/41 | 345663373            | C-HSG-C9          | G-CAP-9-P   | TPA-C9 | RS          | LS         | MAL               | CPA | MSEAL    | RSEAL     | -  | 71 | -  | 69 | -  | -  | -  | 65 | 64 | -  | -  | 61 | 60 | -  | 58 | -  | 56 | 55 | 54     | -        |                                     |
|  |                      |                   |             |        |             |            |                   |     |          |           | -  | -  | 50 | 49 | -  | -  | -  | 45 | -  | 43 | -  | 41 | -  | -  | -  | 37 | 36 | 35 | -      | -        |                                     |
|  |                      |                   |             |        |             |            |                   |     |          |           |  |    |    |    | -  | 31 | -  | 29 | 28 | 27 | -  | -  | 24 | 23 | -  | -  | 20 | -  | -      | 17       |                                     |
| MX123 CONN ASSY 73 CKT BLK OPT0 KEY A/44 | 345663383            | C-HSG-A0          | G-CAP-0-P   | TPA-A0 | RS          | LS         | MAL               | CPA | MSEAL    | RSEAL     | 72   | 71 | -  | -  | -  | 67 | 66 | -  | -  | -  | 62 | -  | 60 | -  | -  | -  | 55 | -  | 53     |          |                                     |
|  |                      |                   |             |        |             |            |                   |     |          |           | -  | 51 | -  | -  | -  | -  | 46 | 45 | 44 | 43 | -  | -  | 40 | 39 | -  | -  | -  | 35 | -      | -        |                                     |
|  |                      |                   |             |        |             |            |                   |     |          |           |  |    |    |    | -  | -  | -  | -  | -  | -  | 25 | -  | -  | 22 | 21 | -  | -  | -  | 17     | -        |                                     |
| MX123 CONN ASSY 73 CKT BLU OPT0 KEY C/35 | 345663393            | C-HSG-C0          | G-CAP-0-P   | TPA-C0 | RS          | LS         | MAL               | CPA | MSEAL    | RSEAL     | -  | 71 | -  | 69 | -  | -  | -  | 65 | 64 | -  | -  | 61 | 60 | -  | 58 | -  | 56 | 55 | 54     | -        |                                     |
|  |                      |                   |             |        |             |            |                   |     |          |           | -  | -  | 50 | 49 | -  | -  | -  | 45 | -  | 43 | -  | 41 | -  | -  | 38 | 37 | 36 | 35 | -      | -        |                                     |
|  |                      |                   |             |        |             |            |                   |     |          |           |  |    |    |    | -  | 31 | -  | 29 | 28 | 27 | -  | -  | 24 | 23 | -  | -  | 20 | 19 | 18     | 17       |                                     |
| MX123 CONN ASSY 73 CKT BLK OPT0 KEY A/6  | 345663403            | C-HSG-A0          | G-CAP-0-P   | TPA-A0 | RS          | LS         | MAL               | CPA | MSEAL    | RSEAL     | -  | -  | -  | -  | -  | -  | -  | 65 | -  | -  | -  | 61 | -  | -  | -  | -  | -  | -  | -      |          |                                     |
|  |                      |                   |             |        |             |            |                   |     |          |           | -  | -  | -  | -  | -  | -  | -  | 45 | -  | -  | -  | -  | -  | -  | -  | -  | -  | -  | -      | -        |                                     |
|  |                      |                   |             |        |             |            |                   |     |          |           |  |    |    |    | -  | -  | -  | -  | -  | -  | 26 | -  | -  | -  | -  | -  | -  | -  | -      | -        |                                     |
| MX123 CONN ASSY 73 CKT BLK OPT0 KEY A/45 | 345663413            | C-HSG-A0          | G-CAP-0-P   | TPA-A0 | RS          | LS         | MAL               | CPA | MSEAL    | RSEAL     | -  | 71 | -  | 69 | 68 | -  | -  | -  | 64 | 63 | 62 | -  | 60 | 59 | -  | -  | 56 | -  | -      | 53       |                                     |
|  |                      |                   |             |        |             |            |                   |     |          |           | 52   | 51 | -  | -  | 48 | -  | 46 | -  | -  | -  | -  | 40 | -  | 38 | -  | 36 | -  | 34 | 33     |          |                                     |
|  |                      |                   |             |        |             |            |                   |     |          |           |  |    |    |    | -  | 31 | -  | 29 | 28 | -  | -  | -  | 23 | 22 | -  | -  | -  | -  | -      | -        |                                     |



| ASSEMBLY DESCRIPTION                     | ASSEMBLY PART NUMBER | CONNECTOR HOUSING | GROMMET CAP | TPA    | RIGHT SLIDE | LEFT SLIDE | MATE ASSIST LEVER | CPA | MAT SEAL | RING SEAL | BLOCKED TERMINALS  |    |    |    |    |    |    |    |    |    |    |    |    |    |    |    |    |    | STATUS | COMMENTS | INTEGRAL COMPONENTS SOLD SEPARATELY |
|--|----------------------|-------------------|-------------|--------|-------------|------------|-------------------|-----|----------|-----------|--|----|----|----|----|----|----|----|----|----|----|----|----|----|----|----|----|----|--------|----------|-------------------------------------|
|  |                      |                   |             |        |             |            |                   |     |          |           | CAVITY WITH A NUMBER INDICATES BLOCKED TERMINAL POSITION<br>CAVITY WITHOUT A NUMBER INDICATES OPEN TERMINAL POSITION |    |    |    |    |    |    |    |    |    |    |    |    |    |    |    |    |    |        |          | DRESS COVER                         |
|  |                      |                   |             |        |             |            |                   |     |          |           |  |    |    |    |    |    |    |    |    |    |    |    |    |    |    |    |    |    |        |          |                                     |
| MX123 CONN ASSY 73 CKT BLU OPT9 KEY C/31 | 345663423            | C-HSG-C9          | G-CAP-9-P   | TPA-C9 | RS          | LS         | MAL               | CPA | MSEAL    | RSEAL     | 72   | 71 | 70 | -  | 68 | 67 | 66 | 65 | 64 | -  | 62 | 61 | 60 | 59 | -  | 57 | -  | -  | -      | -        |                                     |
|  |                      |                   |             |        |             |            |                   |     |          |           | -  | -  | 50 | -  | 48 | 47 | 46 | 45 | -  | -  | -  | -  | 40 | 39 | 38 | 37 | -  | -  | -      | -        |                                     |
|  |                      |                   |             |        |             |            |                   |     |          |           | -  | -  | -  | -  | -  | 31 | 30 | 29 | -  | 27 | -  | 25 | 24 | 23 | 22 | 21 | 20 | -  | -      | -        | -                                   |
| MX123 CONN ASSY 73 CKT BLU OPT9 KEY C/30 | 345663433            | C-HSG-C9          | G-CAP-9-P   | TPA-C9 | RS          | LS         | MAL               | CPA | MSEAL    | RSEAL     | -  | 71 | -  | 69 | 68 | 67 | -  | 65 | 64 | -  | -  | 61 | 60 | -  | 58 | -  | -  | -  | 54     | -        |                                     |
|  |                      |                   |             |        |             |            |                   |     |          |           | -  | -  | 50 | 49 | 48 | 47 | -  | 45 | -  | 43 | -  | 41 | -  | -  | 38 | 37 | 36 | 35 | -      | -        |                                     |
|  |                      |                   |             |        |             |            |                   |     |          |           | -  | -  | -  | -  | 32 | 31 | -  | 29 | 28 | 27 | -  | -  | 24 | 23 | -  | -  | 20 | 19 | 18     | 17       |                                     |
| MX123 CONN ASSY 73 CKT BLK OPT0 KEY A/36 | 345663443            | C-HSG-A0          | G-CAP-0-P   | TPA-A0 | RS          | LS         | MAL               | CPA | MSEAL    | RSEAL     | 72   | -  | 70 | -  | 68 | 67 | 66 | -  | -  | -  | 62 | 61 | -  | 59 | 58 | -  | -  | -  | -      | -        |                                     |
|  |                      |                   |             |        |             |            |                   |     |          |           | -  | -  | 50 | -  | 48 | 47 | 46 | -  | -  | -  | -  | -  | 40 | 39 | 38 | -  | -  | -  | -      | -        |                                     |
|  |                      |                   |             |        |             |            |                   |     |          |           | -  | -  | -  | -  | -  | 31 | -  | 29 | -  | 27 | -  | 25 | 24 | -  | 22 | 21 | 20 | -  | -      | 17       |                                     |
| MX123 CONN ASSY 73 CKT BLK OPT0 KEY A/6  | 345663453            | C-HSG-A0          | G-CAP-0-P   | TPA-A0 | RS          | LS         | MAL               | CPA | MSEAL    | RSEAL     | 72   | 71 | 70 | 69 | 68 | 67 | 66 | 65 | 64 | 63 | 62 | -  | 60 | 59 | 58 | 57 | 56 | 55 | 54     | 53       |                                     |
|  |                      |                   |             |        |             |            |                   |     |          |           | 52   | 51 | 50 | 49 | 48 | 47 | 46 | 45 | 44 | 43 | 42 | 41 | 40 | 39 | 38 | 37 | 36 | 35 | 34     | 33       |                                     |
|  |                      |                   |             |        |             |            |                   |     |          |           | -  | -  | -  | -  | 32 | 31 | 30 | 29 | 28 | 27 | 26 | 25 | 24 | 23 | 22 | 21 | -  | 19 | 18     | 17       |                                     |
| MX123 CONN ASSY 73 CKT GRY OPT9 KEY B/54 | 345663473            | C-HSG-B9          | G-CAP-9-P   | TPA-B9 | RS          | LS         | MAL               | CPA | MSEAL    | RSEAL     | -  | -  | -  | -  | -  | -  | -  | -  | -  | 63 | -  | -  | -  | -  | -  | -  | -  | -  | 53     |          |                                     |
|  |                      |                   |             |        |             |            |                   |     |          |           | -  | -  | -  | -  | 48 | 47 | -  | 45 | -  | 43 | 42 | 41 | -  | 39 | -  | -  | -  | 35 | 34     | 33       |                                     |
|  |                      |                   |             |        |             |            |                   |     |          |           | -  | -  | -  | -  | -  | -  | -  | -  | -  | 26 | -  | -  | 23 | 22 | -  | -  | 19 | -  | -      | -        |                                     |
| MX123 CONN ASSY 73 CKT GRY OPT0 KEY B/51 | 345663483            | C-HSG-B0          | G-CAP-0-P   | TPA-B0 | RS          | LS         | MAL               | CPA | MSEAL    | RSEAL     | -  | -  | -  | -  | -  | -  | -  | 64 | 63 | 62 | -  | -  | 59 | 58 | -  | -  | -  | -  | 53     |          |                                     |
|  |                      |                   |             |        |             |            |                   |     |          |           | -  | -  | -  | -  | -  | 47 | -  | 45 | -  | 43 | 42 | 41 | -  | 39 | -  | -  | -  | 35 | 34     | 33       |                                     |
|  |                      |                   |             |        |             |            |                   |     |          |           | -  | -  | -  | -  | -  | -  | -  | -  | -  | 26 | 25 | -  | 23 | 22 | -  | -  | -  | -  | -      | -        |                                     |
| MX123 CONN ASSY 73 CKT BLK OPT0 KEY A/44 | 345663493            | C-HSG-A0          | G-CAP-0-P   | TPA-A0 | RS          | LS         | MAL               | CPA | MSEAL    | RSEAL     | -  | 71 | -  | 69 | 68 | -  | -  | -  | 64 | 63 | 62 | -  | 60 | 59 | -  | -  | 56 | -  | -      | 53       |                                     |
|  |                      |                   |             |        |             |            |                   |     |          |           | 52   | 51 | 50 | -  | 48 | -  | 46 | -  | -  | -  | -  | -  | 40 | -  | 38 | -  | 36 | -  | 34     | 33       |                                     |
|  |                      |                   |             |        |             |            |                   |     |          |           | -  | -  | -  | -  | -  | 31 | -  | 29 | 28 | -  | -  | -  | -  | 23 | 22 | -  | -  | -  | -      | -        |                                     |
| MX123 CONN ASSY 73 CKT BLK OPT0 KEY A/32 | 345663503            | C-HSG-A0          | G-CAP-0-P   | TPA-A0 | RS          | LS         | MAL               | CPA | MSEAL    | RSEAL     | -  | -  | 70 | -  | -  | -  | -  | 65 | -  | -  | -  | 61 | -  | -  | 58 | 57 | 56 | 55 | 54     | 53       |                                     |
|  |                      |                   |             |        |             |            |                   |     |          |           | -  | 51 | 50 | -  | -  | 47 | -  | 45 | -  | -  | -  | 41 | -  | -  | 38 | 37 | 36 | -  | 34     | -        |                                     |
|  |                      |                   |             |        |             |            |                   |     |          |           | -  | -  | -  | -  | -  | 31 | 30 | -  | 28 | -  | 26 | 25 | -  | -  | 22 | 21 | 20 | 19 | 18     | -        |                                     |
| MX123 CONN ASSY 73 CKT BLK OPT0 KEY A/37 | 345663513            | C-HSG-A0          | G-CAP-0-P   | TPA-A0 | RS          | LS         | MAL               | CPA | MSEAL    | RSEAL     | 72   | 71 | -  | -  | 68 | 67 | 66 | 65 | 64 | -  | -  | -  | -  | 59 | -  | -  | -  | -  | -      |          |                                     |
|  |                      |                   |             |        |             |            |                   |     |          |           | -  | -  | 50 | -  | 48 | 47 | 46 | 45 | -  | -  | -  | -  | 40 | 39 | 38 | -  | -  | 35 | -      | 33       |                                     |
|  |                      |                   |             |        |             |            |                   |     |          |           | -  | -  | -  | -  | -  | 31 | 30 | -  | -  | -  | -  | 25 | 24 | 23 | 22 | 21 | 20 | -  | -      | 17       |                                     |
| MX123 CONN ASSY 73 CKT BLK OPT0 KEY A/31 | 345663523            | C-HSG-A0          | G-CAP-0-P   | TPA-A0 | RS          | LS         | MAL               | CPA | MSEAL    | RSEAL     | -  | 71 | -  | 69 | 68 | 67 | -  | 65 | 64 | -  | -  | 61 | 60 | 59 | 58 | 57 | -  | -  | -      | 53       |                                     |
|  |                      |                   |             |        |             |            |                   |     |          |           | -  | 51 | 50 | -  | 48 | 47 | 46 | 45 | 44 | -  | -  | 41 | 40 | 39 | 38 | 37 | -  | -  | -      | 33       |                                     |
|  |                      |                   |             |        |             |            |                   |     |          |           | -  | -  | -  | -  | 32 | -  | 30 | 29 | -  | 27 | -  | 25 | 24 | 23 | 22 | -  | -  | -  | -      | 17       |                                     |
| MX123 CONN ASSY 73 CKT BLK OPT9 KEY A/31 | 345663533            | C-HSG-A9          | G-CAP-9-P   | TPA-A9 | RS          | LS         | MAL               | CPA | MSEAL    | RSEAL     | 72   | 71 | 70 | -  | 68 | 67 | 66 | 65 | 64 | -  | 62 | 61 | 60 | 59 | -  | 57 | -  | -  | -      | -        |                                     |
|  |                      |                   |             |        |             |            |                   |     |          |           | -  | -  | 50 | -  | 48 | 47 | 46 | 45 | -  | -  | -  | -  | 40 | 39 | 38 | 37 | -  | -  | -      | -        |                                     |
|  |                      |                   |             |        |             |            |                   |     |          |           | -  | -  | -  | -  | -  | 31 | 30 | 29 | -  | 27 | -  | 25 | 24 | 23 | 22 | 21 | 20 | -  | -      | -        |                                     |
| MX123 CONN ASSY 73 CKT BLK OPT9 KEY A/30 | 345663543            | C-HSG-A9          | G-CAP-9-P   | TPA-A9 | RS          | LS         | MAL               | CPA | MSEAL    | RSEAL     | -  | 71 | -  | 69 | 68 | 67 | -  | 65 | 64 | -  | -  | 61 | 60 | -  | 58 | -  | -  | -  | 54     | -        |                                     |
|  |                      |                   |             |        |             |            |                   |     |          |           | -  | -  | 50 | 49 | 48 | 47 | -  | 45 | -  | 43 | -  | 41 | -  | -  | 38 | 37 | 36 | 35 | -      | -        |                                     |
|  |                      |                   |             |        |             |            |                   |     |          |           | -  | -  | -  | -  | 32 | 31 | -  | 29 | 28 | 27 | -  | -  | 24 | 23 | -  | -  | 20 | 19 | 18     | 17       |                                     |





| ASSEMBLY DESCRIPTION                     | ASSEMBLY PART NUMBER | CONNECTOR HOUSING | GROMMET CAP | TPA    | RIGHT SLIDE | LEFT SLIDE | MATE ASSIST LEVER | CPA | MAT SEAL | RING SEAL | BLOCKED TERMINALS  |    |    |    |    |    |    |    |    |    |    |    |    |    |    |    |    |    | STATUS | COMMENTS | INTEGRAL COMPONENTS SOLD SEPARATELY |           |           |           |
|--|----------------------|-------------------|-------------|--------|-------------|------------|-------------------|-----|----------|-----------|--|----|----|----|----|----|----|----|----|----|----|----|----|----|----|----|----|----|--------|----------|-------------------------------------|-----------|-----------|-----------|
|  |                      |                   |             |        |             |            |                   |     |          |           | CAVITY WITH A NUMBER INDICATES BLOCKED TERMINAL POSITION |    |    |    |    |    |    |    |    |    |    |    |    |    |    |    |    |    |        |          | DRESS COVER                         |           |           |           |
|  |                      |                   |             |        |             |            |                   |     |          |           | CAVITY WITHOUT A NUMBER INDICATES OPEN TERMINAL POSITION |    |    |    |    |    |    |    |    |    |    |    |    |    |    |    |    |    |        |          |                                     |           |           |           |
| MX123 CONN ASSY 73 CKT BLK OPT0 KEY A/32 | 345663803            | C-HSG-A0          | G-CAP-0-P   | TPA-A0 | RS          | LS         | MAL               | CPA | MSEAL    | RSEAL     | -  | -  | 70 | -  | -  | -  | -  | 65 | -  | -  | -  | 61 | 60 | -  | 58 | 57 | -  | 55 | 54     | -        | SALEABLE                            |           | 345650003 |           |
|  |                      |                   |             |        |             |            |                   |     |          |           | 52   | 51 | -  | 49 | -  | 47 | -  | 45 | -  | -  | -  | 41 | 40 | -  | 38 | 37 | -  | -  | 34     | -        |                                     |           |           |           |
|  |                      |                   |             |        |             |            |                   |     |          |           | -  |    |    |    |    |    |    |    |    |    |    |    |    |    |    |    |    |    | 16     | 15       |                                     |           |           | -         |
| MX123 CONN ASSY 73 CKT BLU OPT0 KEY C/42 | 345663813            | C-HSG-C0          | G-CAP-0-P   | TPA-C0 | RS          | LS         | MAL               | CPA | MSEAL    | RSEAL     | -  | 71 | -  | 69 | -  | 67 | -  | 65 | 64 | -  | -  | 61 | 60 | -  | 58 | -  | 56 | 55 | 54     | -        | SALEABLE                            |           | 345650003 |           |
|  |                      |                   |             |        |             |            |                   |     |          |           | -  | -  | 50 | 49 | -  | -  | -  | 45 | -  | 43 | -  | 41 | -  | -  | -  | -  | -  | 35 | -      | -        |                                     |           |           |           |
|  |                      |                   |             |        |             |            |                   |     |          |           | -  |    |    |    |    |    |    |    |    |    |    |    |    |    |    |    |    |    | 16     | -        |                                     |           |           | -         |
| MX123 CONN ASSY 73 CKT BLK OPT0 KEY A/30 | 345663823            | C-HSG-A0          | G-CAP-0-P   | TPA-A0 | RS          | LS         | MAL               | CPA | MSEAL    | RSEAL     | 72   | 71 | -  | -  | 68 | 67 | 66 | 65 | 64 | -  | -  | 62 | -  | 60 | 59 | -  | -  | -  | -      | -        | -                                   | SALEABLE  |           | 345650003 |
|  |                      |                   |             |        |             |            |                   |     |          |           | -  | -  | 50 | -  | 48 | 47 | 46 | 45 | -  | -  | 42 | -  | 40 | 39 | 38 | -  | -  | 35 | -      | 33       |                                     |           |           |           |
|  |                      |                   |             |        |             |            |                   |     |          |           | -  |    |    |    |    |    |    |    |    |    |    |    |    |    |    |    |    |    | -      | 31       | 30                                  |           |           |           |
| MX123 CONN ASSY 73 CKT BLK OPT0 KEY A/37 | 345663833            | C-HSG-A0          | G-CAP-0-P   | TPA-A0 | RS          | LS         | MAL               | CPA | MSEAL    | RSEAL     | 72   | 71 | -  | -  | 68 | 67 | 66 | 65 | 64 | -  | -  | -  | 60 | 59 | 58 | -  | -  | -  | -      | -        | SALEABLE                            |           | 345650003 |           |
|  |                      |                   |             |        |             |            |                   |     |          |           | -  | -  | 50 | -  | 48 | 47 | 46 | 45 | -  | -  | -  | -  | 40 | 39 | 38 | -  | -  | 35 | -      | 33       |                                     |           |           |           |
|  |                      |                   |             |        |             |            |                   |     |          |           | -  |    |    |    |    |    |    |    |    |    |    |    |    |    |    |    |    |    | -      | 31       |                                     |           |           | 30        |
| MX123 CONN ASSY 73 CKT BLK OPT0 KEY A/51 | 345663843            | C-HSG-A0          | G-CAP-0-P   | TPA-A0 | RS          | LS         | MAL               | CPA | MSEAL    | RSEAL     | -  | -  | -  | -  | -  | -  | -  | 65 | -  | -  | -  | 61 | -  | -  | 58 | 57 | 56 | -  | -      | -        | SALEABLE                            |           | 345650003 |           |
|  |                      |                   |             |        |             |            |                   |     |          |           | -  | 51 | 50 | -  | -  | 47 | 46 | 45 | -  | -  | -  | -  | -  | -  | 38 | 37 | 36 | -  | -      | -        |                                     |           |           |           |
|  |                      |                   |             |        |             |            |                   |     |          |           | -  |    |    |    |    |    |    |    |    |    |    |    |    |    |    |    |    |    | -      | 31       |                                     |           |           | 30        |
| MX123 CONN ASSY 73 CKT BLK OPT0 KEY A/53 | 345663853            | C-HSG-A0          | G-CAP-0-P   | TPA-A0 | RS          | LS         | MAL               | CPA | MSEAL    | RSEAL     | -  | -  | -  | -  | -  | -  | -  | -  | -  | -  | -  | 61 | -  | -  | 58 | 57 | 56 | -  | -      | -        | SALEABLE                            |           | 345650003 |           |
|  |                      |                   |             |        |             |            |                   |     |          |           | -  | 51 | 50 | -  | -  | 47 | 46 | -  | -  | -  | -  | -  | -  | -  | 38 | 37 | 36 | -  | -      | -        |                                     |           |           |           |
|  |                      |                   |             |        |             |            |                   |     |          |           | -  |    |    |    |    |    |    |    |    |    |    |    |    |    |    |    |    |    | -      | 31       |                                     |           |           | 30        |
| MX123 CONN ASSY 73 CKT GRY OPT0 KEY B/51 | 345663863            | C-HSG-B0          | G-CAP-0-P   | TPA-B0 | RS          | LS         | MAL               | CPA | MSEAL    | RSEAL     | -  | -  | -  | 69 | -  | -  | -  | 65 | 64 | 63 | -  | -  | -  | -  | -  | -  | -  | -  | -      | SALEABLE |                                     | 345650003 |           |           |
|  |                      |                   |             |        |             |            |                   |     |          |           | -  | -  | -  | 49 | -  | -  | -  | 45 | 44 | 43 | -  | -  | -  | -  | -  | -  | -  | -  | -      |          |                                     |           | -         |           |
|  |                      |                   |             |        |             |            |                   |     |          |           | -  |    |    |    |    |    |    |    |    |    |    |    |    |    |    |    |    |    | -      |          |                                     |           | -         | -         |
| MX123 CONN ASSY 73 CKT GRY OPT0 KEY B/34 | 345663873            | C-HSG-B0          | G-CAP-0-P   | TPA-B0 | RS          | LS         | MAL               | CPA | MSEAL    | RSEAL     | 72   | 71 | 70 | 69 | 68 | 67 | 66 | 65 | 64 | -  | 62 | 61 | 60 | -  | -  | -  | -  | 54 | 53     | SALEABLE |                                     | 345650003 |           |           |
|  |                      |                   |             |        |             |            |                   |     |          |           | 52   | 51 | -  | -  | -  | 47 | -  | -  | 44 | -  | 42 | 41 | 40 | -  | -  | -  | -  | -  | -      |          |                                     |           | 33        |           |
|  |                      |                   |             |        |             |            |                   |     |          |           | -  |    |    |    |    |    |    |    |    |    |    |    |    |    |    |    |    |    | 32     |          |                                     |           | 31        | 30        |
| MX123 CONN ASSY 73 CKT GRY OPT0 KEY B/35 | 345663883            | C-HSG-B0          | G-CAP-0-P   | TPA-B0 | RS          | LS         | MAL               | CPA | MSEAL    | RSEAL     | 72   | 71 | 70 | 69 | 68 | -  | -  | 65 | 64 | 63 | 62 | 61 | 60 | -  | -  | -  | -  | 54 | -      | SALEABLE |                                     | 345650003 |           |           |
|  |                      |                   |             |        |             |            |                   |     |          |           | 52   | 51 | -  | -  | -  | 47 | 46 | -  | 44 | 43 | 42 | 41 | 40 | -  | -  | -  | -  | -  | -      |          |                                     |           |           |           |
|  |                      |                   |             |        |             |            |                   |     |          |           | -  |    |    |    |    |    |    |    |    |    |    |    |    |    |    |    |    |    | 32     |          |                                     |           | 31        | 30        |
| MX123 CONN ASSY 73 CKT BLU OPT0 KEY C/34 | 345663893            | C-HSG-C0          | G-CAP-0-P   | TPA-C0 | RS          | LS         | MAL               | CPA | MSEAL    | RSEAL     | -  | 71 | -  | 69 | -  | -  | -  | 65 | 64 | -  | -  | 61 | 60 | -  | 58 | -  | 56 | 55 | 54     | -        | SALEABLE                            |           | 345650003 |           |
|  |                      |                   |             |        |             |            |                   |     |          |           | -  | -  | 50 | 49 | -  | -  | -  | 45 | -  | 43 | -  | 41 | 40 | 39 | 38 | 37 | 36 | 35 | -      | -        |                                     |           |           |           |
|  |                      |                   |             |        |             |            |                   |     |          |           | -  |    |    |    |    |    |    |    |    |    |    |    |    |    |    |    |    |    | 16     | -        |                                     |           |           | -         |
| MX123 CONN ASSY 73 CKT GRY OPT0 KEY B/54 | 345663903            | C-HSG-B0          | G-CAP-0-P   | TPA-B0 | RS          | LS         | MAL               | CPA | MSEAL    | RSEAL     | 72   | 71 | 70 | 69 | 68 | 67 | 66 | -  | 64 | 63 | 62 | 61 | 60 | -  | 58 | -  | 56 | -  | 54     | -        | SALEABLE                            |           | 345650003 |           |
|  |                      |                   |             |        |             |            |                   |     |          |           | 52   | 51 | 50 | -  | -  | 47 | -  | 45 | -  | 43 | 42 | 41 | 40 | -  | 38 | -  | 36 | -  | 34     | -        |                                     |           |           |           |
|  |                      |                   |             |        |             |            |                   |     |          |           | -  |    |    |    |    |    |    |    |    |    |    |    |    |    |    |    |    |    | 16     | 15       |                                     |           |           | 14        |
| MX123 CONN ASSY 73 CKT BLK OPT0 KEY A/39 | 345663913            | C-HSG-A0          | G-CAP-0-P   | TPA-A0 | RS          | LS         | MAL               | CPA | MSEAL    | RSEAL     | 72   | -  | -  | -  | 68 | 67 | 66 | 65 | -  | -  | 62 | 61 | -  | 59 | -  | -  | -  | -  | -      | SALEABLE |                                     | 345650003 |           |           |
|  |                      |                   |             |        |             |            |                   |     |          |           | -  | -  | 50 | -  | 48 | 47 | 46 | -  | -  | -  | -  | 40 | 39 | 38 | -  | -  | 35 | -  | 33     |          |                                     |           |           |           |
|  |                      |                   |             |        |             |            |                   |     |          |           | -  |    |    |    |    |    |    |    |    |    |    |    |    |    |    |    |    |    | -      |          |                                     |           | 31        | -         |

| ASSEMBLY DESCRIPTION                     | ASSEMBLY PART NUMBER | CONNECTOR HOUSING | GROMMET CAP | TPA    | RIGHT SLIDE | LEFT SLIDE | MATE ASSIST LEVER | CPA | MAT SEAL | RING SEAL | BLOCKED TERMINALS  |    |    |    |    |    |    |    |    |    |    |    |    |    |    |    |    |    | STATUS | COMMENTS | INTEGRAL COMPONENTS SOLD SEPARATELY |    |    |
|--|----------------------|-------------------|-------------|--------|-------------|------------|-------------------|-----|----------|-----------|--|----|----|----|----|----|----|----|----|----|----|----|----|----|----|----|----|----|--------|----------|-------------------------------------|----|----|
|  |                      |                   |             |        |             |            |                   |     |          |           | CAVITY WITH A NUMBER INDICATES BLOCKED TERMINAL POSITION |    |    |    |    |    |    |    |    |    |    |    |    |    |    |    |    |    |        |          | DRESS COVER                         |    |    |
|  |                      |                   |             |        |             |            |                   |     |          |           | CAVITY WITHOUT A NUMBER INDICATES OPEN TERMINAL POSITION |    |    |    |    |    |    |    |    |    |    |    |    |    |    |    |    |    |        |          |                                     |    |    |
| MX123 CONN ASSY 73 CKT GRY OPT0 KEY B/36 | 345663923            | C-HSG-B0          | G-CAP-0-P   | TPA-B0 | RS          | LS         | MAL               | CPA | MSEAL    | RSEAL     | -  | 71 | -  | 69 | -  | 67 | -  | 65 | 64 | 63 | 62 | 61 | -  | -  | 58 | 57 | 56 | -  | -      | -        |                                     |    |    |
|  |                      |                   |             |        |             |            |                   |     |          |           | -  | 51 | -  | 49 | -  | 47 | -  | 45 | 44 | 43 | 42 | 41 | -  | -  | 38 | 37 | 36 | -  | -      | -        |                                     |    |    |
|  |                      |                   |             |        |             |            |                   |     |          |           |  |    |    |    |    |    |    |    |    |    |    |    |    |    |    |    |    |    | -      | 22       | 21                                  | 20 | -  |
| MX123 CONN ASSY 73 CKT BLK OPT0 KEY A/35 | 345663933            | C-HSG-A0          | G-CAP-0-P   | TPA-A0 | RS          | LS         | MAL               | CPA | MSEAL    | RSEAL     | 72   | -  | -  | -  | 68 | 67 | 66 | 65 | -  | -  | 62 | 61 | -  | 59 | -  | -  | -  | -  | -      |          |                                     |    |    |
|  |                      |                   |             |        |             |            |                   |     |          |           | -  | -  | 50 | -  | 48 | 47 | 46 | -  | -  | -  | -  | -  | 40 | 39 | 38 | -  | -  | 35 | -      | 33       |                                     |    |    |
|  |                      |                   |             |        |             |            |                   |     |          |           |  |    |    |    |    |    |    |    |    |    |    |    |    |    |    |    |    |    | -      | 31       | -                                   | 29 | -  |
| MX123 CONN ASSY 73 CKT BLU OPT0 KEY C/32 | 345663943            | C-HSG-C0          | G-CAP-0-P   | TPA-C0 | RS          | LS         | MAL               | CPA | MSEAL    | RSEAL     | -  | 71 | -  | 69 | -  | 67 | -  | 65 | 64 | 63 | 62 | 61 | -  | -  | 58 | 57 | 56 | -  | -      | -        |                                     |    |    |
|  |                      |                   |             |        |             |            |                   |     |          |           | -  | 51 | -  | 49 | -  | 47 | -  | 45 | 44 | 43 | 42 | 41 | -  | -  | 38 | 37 | 36 | -  | -      | -        |                                     |    |    |
|  |                      |                   |             |        |             |            |                   |     |          |           |  |    |    |    |    |    |    |    |    |    |    |    |    |    |    |    |    |    | -      | -        | -                                   | -  | -  |
| MX123 CONN ASSY 73 CKT BLU OPT0 KEY C/35 | 345663953            | C-HSG-C0          | G-CAP-0-P   | TPA-C0 | RS          | LS         | MAL               | CPA | MSEAL    | RSEAL     | -  | 71 | -  | 69 | -  | 67 | 66 | 65 | 64 | -  | -  | 61 | 60 | -  | 58 | -  | 56 | 55 | 54     | -        |                                     |    |    |
|  |                      |                   |             |        |             |            |                   |     |          |           | -  | -  | 50 | 49 | -  | -  | -  | 45 | -  | 43 | -  | 41 | -  | -  | 38 | 37 | 36 | 35 | -      | -        |                                     |    |    |
|  |                      |                   |             |        |             |            |                   |     |          |           |  |    |    |    |    |    |    |    |    |    |    |    |    |    |    |    |    |    | -      | 31       | -                                   | 29 | 28 |
| MX123 CONN ASSY 73 CKT BLU OPT0 KEY C/36 | 345663963            | C-HSG-C0          | G-CAP-0-P   | TPA-C0 | RS          | LS         | MAL               | CPA | MSEAL    | RSEAL     | -  | 71 | -  | 69 | -  | -  | -  | 65 | 64 | -  | -  | 61 | 60 | -  | 58 | -  | 56 | 55 | 54     | -        |                                     |    |    |
|  |                      |                   |             |        |             |            |                   |     |          |           | -  | -  | 50 | 49 | -  | -  | -  | 45 | -  | 43 | -  | 41 | -  | -  | 37 | 36 | 35 | -  | -      | -        |                                     |    |    |
|  |                      |                   |             |        |             |            |                   |     |          |           |  |    |    |    |    |    |    |    |    |    |    |    |    |    |    |    |    |    | -      | 31       | -                                   | 29 | 28 |
| MX123 CONN ASSY 73 CKT BLU OPT0 KEY C/33 | 345663973            | C-HSG-C0          | G-CAP-0-P   | TPA-C0 | RS          | LS         | MAL               | CPA | MSEAL    | RSEAL     | -  | 71 | -  | 69 | -  | -  | 66 | 65 | 64 | -  | -  | 61 | 60 | -  | 58 | -  | 56 | 55 | 54     | -        |                                     |    |    |
|  |                      |                   |             |        |             |            |                   |     |          |           | -  | -  | 50 | 49 | -  | -  | -  | 45 | -  | 43 | -  | 41 | -  | -  | 37 | 36 | 35 | -  | -      | -        |                                     |    |    |
|  |                      |                   |             |        |             |            |                   |     |          |           |  |    |    |    |    |    |    |    |    |    |    |    |    |    |    |    |    |    | -      | 31       | -                                   | 29 | 28 |
| MX123 CONN ASSY 73 CKT BLU OPT0 KEY C/38 | 345663983            | C-HSG-C0          | G-CAP-0-P   | TPA-C0 | RS          | LS         | MAL               | CPA | MSEAL    | RSEAL     | -  | 71 | -  | 69 | -  | -  | -  | 65 | 64 | -  | -  | 61 | 60 | -  | 58 | -  | 56 | 55 | 54     | -        |                                     |    |    |
|  |                      |                   |             |        |             |            |                   |     |          |           | -  | -  | 50 | 49 | -  | -  | -  | 45 | -  | 43 | -  | 41 | -  | -  | 37 | 36 | 35 | -  | -      | -        |                                     |    |    |
|  |                      |                   |             |        |             |            |                   |     |          |           |  |    |    |    |    |    |    |    |    |    |    |    |    |    |    |    |    |    | -      | 31       | -                                   | 29 | 28 |
| MX123 CONN ASSY 73 CKT BLK OPT0 KEY A/38 | 345663983            | C-HSG-A0          | G-CAP-0-P   | TPA-A0 | RS          | LS         | MAL               | CPA | MSEAL    | RSEAL     | -  | -  | -  | -  | 68 | 67 | 66 | 65 | -  | -  | 62 | 61 | -  | -  | -  | -  | -  | -  | -      |          |                                     |    |    |
|  |                      |                   |             |        |             |            |                   |     |          |           | -  | -  | 50 | -  | 48 | 47 | 46 | -  | -  | -  | -  | -  | 39 | 38 | -  | -  | 35 | -  | 33     |          |                                     |    |    |
|  |                      |                   |             |        |             |            |                   |     |          |           |  |    |    |    |    |    |    |    |    |    |    |    |    |    |    |    |    |    | -      | 31       | -                                   | 29 | -  |
| MX123 CONN ASSY 73 CKT BLK OPT0 KEY A/38 | 345663993            | C-HSG-A0          | G-CAP-0-P   | TPA-A0 | RS          | LS         | MAL               | CPA | MSEAL    | RSEAL     | 72   | 71 | -  | -  | 68 | 67 | 66 | 65 | 64 | -  | -  | -  | -  | 59 | -  | -  | -  | -  | -      |          |                                     |    |    |
|  |                      |                   |             |        |             |            |                   |     |          |           | -  | -  | 50 | -  | 48 | 47 | 46 | 45 | -  | -  | -  | -  | 39 | 38 | -  | -  | 35 | -  | 33     |          |                                     |    |    |
|  |                      |                   |             |        |             |            |                   |     |          |           |  |    |    |    |    |    |    |    |    |    |    |    |    |    |    |    |    |    | -      | 31       | 30                                  | -  | -  |
| MX123 CONN ASSY 73 CKT GRY OPT0 KEY B/44 | 345664003            | C-HSG-B0          | G-CAP-0-P   | TPA-B0 | RS          | LS         | MAL               | CPA | MSEAL    | RSEAL     | 72   | 71 | 70 | 69 | 68 | -  | -  | 65 | -  | -  | 62 | 61 | 60 | -  | 58 | -  | 56 | -  | 54     | -        |                                     |    |    |
|  |                      |                   |             |        |             |            |                   |     |          |           | 52   | 51 | -  | -  | -  | 47 | 46 | 45 | 44 | -  | 42 | 41 | 40 | -  | 38 | -  | 36 | -  | 34     | -        |                                     |    |    |
|  |                      |                   |             |        |             |            |                   |     |          |           |  |    |    |    |    |    |    |    |    |    |    |    |    |    |    |    |    |    | -      | 31       | 30                                  | -  | 28 |
| MX123 CONN ASSY 73 CKT GRY OPT0 KEY B/34 | 345664013            | C-HSG-B0          | G-CAP-0-P   | TPA-B0 | RS          | LS         | MAL               | CPA | MSEAL    | RSEAL     | -  | 71 | -  | 69 | -  | 67 | -  | 65 | 64 | 63 | 62 | 61 | -  | -  | 58 | 57 | 56 | -  | -      | -        |                                     |    |    |
|  |                      |                   |             |        |             |            |                   |     |          |           | -  | 51 | -  | 49 | -  | 47 | -  | 45 | 44 | 43 | 42 | 41 | -  | -  | 38 | 37 | 36 | -  | -      | -        |                                     |    |    |
|  |                      |                   |             |        |             |            |                   |     |          |           |  |    |    |    |    |    |    |    |    |    |    |    |    |    |    |    |    |    | -      | -        | -                                   | -  | -  |
| MX123 CONN ASSY 73 CKT GRY OPT0 KEY B/49 | 345664023            | C-HSG-B0          | G-CAP-0-P   | TPA-B0 | RS          | LS         | MAL               | CPA | MSEAL    | RSEAL     | -  | -  | -  | 69 | -  | -  | -  | 65 | 64 | 63 | -  | -  | -  | -  | -  | -  | -  | -  | -      |          |                                     |    |    |
|  |                      |                   |             |        |             |            |                   |     |          |           | -  | -  | -  | 49 | -  | -  | -  | 45 | 44 | 43 | -  | -  | -  | -  | -  | -  | -  | -  | -      | -        |                                     |    |    |
|  |                      |                   |             |        |             |            |                   |     |          |           |  |    |    |    |    |    |    |    |    |    |    |    |    |    |    |    |    |    | -      | -        | -                                   | -  | -  |
| MX123 CONN ASSY 73 CKT BLU OPT0 KEY C/36 | 345664033            | C-HSG-C0          | G-CAP-0-P   | TPA-C0 | RS          | LS         | MAL               | CPA | MSEAL    | RSEAL     | -  | 71 | -  | 69 | -  | 67 | 66 | 65 | 64 | -  | -  | 61 | 60 | -  | -  | -  | 56 | 55 | 54     | -        |                                     |    |    |
|  |                      |                   |             |        |             |            |                   |     |          |           | -  | -  | 50 | 49 | -  | -  | 46 | 45 | -  | 43 | -  | 41 | -  | -  | 37 | 36 | 35 | -  | -      | -        |                                     |    |    |
|  |                      |                   |             |        |             |            |                   |     |          |           |  |    |    |    |    |    |    |    |    |    |    |    |    |    |    |    |    |    | -      | 31       | -                                   | 29 | 28 |

| ASSEMBLY DESCRIPTION                     | ASSEMBLY PART NUMBER | CONNECTOR HOUSING | GROMMET CAP | TPA    | RIGHT SLIDE | LEFT SLIDE | MATE ASSIST LEVER | CPA | MAT SEAL | RING SEAL | BLOCKED TERMINALS  |    |    |    |    |    |    |    |    |    |    |    |    |    |    |    | STATUS | COMMENTS | INTEGRAL COMPONENTS SOLD SEPARATELY |    |    |
|--|----------------------|-------------------|-------------|--------|-------------|------------|-------------------|-----|----------|-----------|--|----|----|----|----|----|----|----|----|----|----|----|----|----|----|----|--------|----------|-------------------------------------|----|----|
|  |                      |                   |             |        |             |            |                   |     |          |           | CAVITY WITH A NUMBER INDICATES BLOCKED TERMINAL POSITION |    |    |    |    |    |    |    |    |    |    |    |    |    |    |    |        |          | DRESS COVER                         |    |    |
|  |                      |                   |             |        |             |            |                   |     |          |           | CAVITY WITHOUT A NUMBER INDICATES OPEN TERMINAL POSITION |    |    |    |    |    |    |    |    |    |    |    |    |    |    |    |        |          |                                     |    |    |
| MX123 CONN ASSY 73 CKT BLK OPT0 KEY A/36 | 345664043            | C-HSG-A0          | G-CAP-0-P   | TPA-A0 | RS          | LS         | MAL               | CPA | MSEAL    | RSEAL     | 72   | -  | -  | -  | 68 | -  | 66 | 65 | -  | -  | 62 | 61 | -  | 59 | 58 | -  | -      | -        | -                                   | -  | -  |
|  |                      |                   |             |        |             |            |                   |     |          |           | -  | -  | 50 | -  | 48 | 47 | 46 | -  | -  | -  | -  | -  | 40 | 39 | 38 | -  | -      | 35       | -                                   | 33 |    |
|  |                      |                   |             |        |             |            |                   |     |          |           | -  |    |    |    |    |    |    |    |    |    |    |    |    |    |    |    | -      | -        | 14                                  | 13 | -  |
| MX123 CONN ASSY 73 CKT BLK OPT0 KEY A/43 | 345664053            | C-HSG-A0          | G-CAP-0-P   | TPA-A0 | RS          | LS         | MAL               | CPA | MSEAL    | RSEAL     | -  | 71 | 70 | -  | 68 | -  | -  | -  | 64 | -  | 62 | 61 | -  | 59 | 58 | -  | -      | 55       | 54                                  | -  |    |
|  |                      |                   |             |        |             |            |                   |     |          |           | 52   | 51 | 50 | -  | 48 | -  | -  | 45 | -  | -  | -  | 41 | -  | 39 | 38 | -  | -      | -        | 34                                  | -  |    |
|  |                      |                   |             |        |             |            |                   |     |          |           | -  |    |    |    |    |    |    |    |    |    |    |    |    |    |    |    | 32     | -        | -                                   | -  | -  |
| MX123 CONN ASSY 73 CKT GRY OPT0 KEY B/24 | 345664063            | C-HSG-B0          | G-CAP-0-P   | TPA-B0 | RS          | LS         | MAL               | CPA | MSEAL    | RSEAL     | 72   | 71 | 70 | 69 | -  | -  | 66 | 65 | -  | 63 | 62 | 61 | 60 | -  | -  | 57 | 56     | 55       | -                                   | 53 |    |
|  |                      |                   |             |        |             |            |                   |     |          |           | 52   | 51 | 50 | 49 | 48 | 47 | -  | -  | 44 | 43 | 42 | 41 | 40 | -  | -  | 37 | 36     | 35       | 34                                  | 33 |    |
|  |                      |                   |             |        |             |            |                   |     |          |           | -  |    |    |    |    |    |    |    |    |    |    |    |    |    |    |    | -      | 31       | -                                   | -  | -  |
| MX123 CONN ASSY 73 CKT BLK OPT0 KEY A/36 | 345664073            | C-HSG-A0          | G-CAP-0-P   | TPA-A0 | RS          | LS         | MAL               | CPA | MSEAL    | RSEAL     | -  | 71 | -  | 69 | 68 | 67 | -  | 65 | 64 | -  | -  | 61 | 60 | -  | 58 | -  | -      | -        | 54                                  | -  |    |
|  |                      |                   |             |        |             |            |                   |     |          |           | -  | -  | 50 | 49 | 48 | 47 | -  | 45 | -  | 43 | -  | 41 | -  | -  | 38 | -  | -      | 35       | -                                   | -  |    |
|  |                      |                   |             |        |             |            |                   |     |          |           | -  |    |    |    |    |    |    |    |    |    |    |    |    |    |    |    | -      | 31       | -                                   | 29 | 28 |
| MX123 CONN ASSY 73 CKT BLU OPT0 KEY C/42 | 345664083            | C-HSG-C0          | G-CAP-0-P   | TPA-C0 | RS          | LS         | MAL               | CPA | MSEAL    | RSEAL     | -  | 71 | -  | 69 | 68 | 67 | -  | 65 | 64 | -  | -  | 61 | 60 | -  | -  | -  | 56     | 55       | 54                                  | -  |    |
|  |                      |                   |             |        |             |            |                   |     |          |           | -  | -  | 50 | 49 | -  | -  | 46 | 45 | -  | 43 | -  | 41 | -  | -  | -  | -  | 35     | -        | -                                   |    |    |
|  |                      |                   |             |        |             |            |                   |     |          |           | -  |    |    |    |    |    |    |    |    |    |    |    |    |    |    |    | -      | 31       | -                                   | 29 | 28 |
| MX123 CONN ASSY 73 CKT GRY OPT0 KEY B/19 | 345664113            | C-HSG-B0          | G-CAP-0-P   | TPA-B0 | RS          | LS         | MAL               | CPA | MSEAL    | RSEAL     | 72   | 71 | 70 | 69 | -  | -  | 66 | 65 | -  | 63 | 62 | 61 | 60 | 59 | -  | 57 | 56     | 55       | 54                                  | 53 |    |
|  |                      |                   |             |        |             |            |                   |     |          |           | 52   | 51 | 50 | 49 | 48 | 47 | -  | -  | 44 | 43 | 42 | 41 | 40 | 39 | -  | 37 | 36     | 35       | 34                                  | 33 |    |
|  |                      |                   |             |        |             |            |                   |     |          |           | -  |    |    |    |    |    |    |    |    |    |    |    |    |    |    |    | -      | 31       | -                                   | -  | -  |
| MX123 CONN ASSY 73 CKT BLK OPT0 KEY A/37 | 345664093            | C-HSG-A0          | G-CAP-0-P   | TPA-A0 | RS          | LS         | MAL               | CPA | MSEAL    | RSEAL     | 72   | -  | -  | -  | 68 | -  | 66 | 65 | -  | -  | 62 | 61 | -  | 59 | 58 | -  | -      | -        | -                                   | -  |    |
|  |                      |                   |             |        |             |            |                   |     |          |           | -  | -  | 50 | -  | 48 | -  | 46 | -  | -  | -  | -  | -  | 40 | 39 | 38 | -  | -      | 35       | -                                   | 33 |    |
|  |                      |                   |             |        |             |            |                   |     |          |           | -  |    |    |    |    |    |    |    |    |    |    |    |    |    |    |    | -      | 31       | -                                   | 29 | -  |
| MX123 CONN ASSY 73 CKT BLK OPT0 KEY A/29 | 345664103            | C-HSG-A0          | G-CAP-0-P   | TPA-A0 | RS          | LS         | MAL               | CPA | MSEAL    | RSEAL     | -  | -  | 70 | -  | -  | -  | -  | 65 | -  | -  | -  | 61 | -  | -  | 58 | 57 | 56     | 55       | 54                                  | 53 |    |
|  |                      |                   |             |        |             |            |                   |     |          |           | -  | 51 | 50 | -  | -  | 47 | -  | -  | -  | -  | -  | 41 | -  | -  | 38 | 37 | 36     | -        | 34                                  | -  |    |
|  |                      |                   |             |        |             |            |                   |     |          |           | -  |    |    |    |    |    |    |    |    |    |    |    |    |    |    |    | -      | 31       | 30                                  | -  | 28 |
| MX123 CONN ASSY 73 CKT GRY OPT0 KEY B/25 | 345664133            | C-HSG-B0          | G-CAP-9-P   | TPA-B0 | RS          | LS         | MAL               | CPA | MSEAL    | RSEAL     | 72   | 71 | 70 | 69 | -  | -  | 66 | 65 | -  | 63 | 62 | 61 | 60 | 59 | -  | 57 | 56     | 55       | -                                   | 53 |    |
|  |                      |                   |             |        |             |            |                   |     |          |           | 52   | 51 | 50 | 49 | 48 | 47 | -  | -  | 44 | 43 | 42 | 41 | 40 | 39 | -  | 37 | 36     | 35       | 34                                  | 33 |    |
|  |                      |                   |             |        |             |            |                   |     |          |           | -  |    |    |    |    |    |    |    |    |    |    |    |    |    |    |    | -      | 31       | -                                   | -  | -  |
| MX123 CONN ASSY 73 CKT BLK OPT9 KEY A/42 | 345664123            | C-HSG-A9          | G-CAP-9-P   | TPA-A9 | RS          | LS         | MAL               | CPA | MSEAL    | RSEAL     | -  | 71 | 70 | -  | 68 | -  | -  | -  | 64 | -  | 62 | 61 | -  | 59 | 58 | -  | -      | 55       | 54                                  | -  |    |
|  |                      |                   |             |        |             |            |                   |     |          |           | 52   | 51 | 50 | -  | 48 | -  | -  | 45 | -  | -  | -  | 41 | -  | 39 | 38 | -  | -      | -        | 34                                  | -  |    |
|  |                      |                   |             |        |             |            |                   |     |          |           | -  |    |    |    |    |    |    |    |    |    |    |    |    |    |    |    | 32     | -        | -                                   | -  | -  |
| MX123 CONN ASSY 73 CKT GRY OPT9 KEY B/22 | 345664143            | C-HSG-B0          | G-CAP-0-P   | TPA-B0 | RS          | LS         | MAL               | CPA | MSEAL    | RSEAL     | 72   | 71 | 70 | 69 | -  | -  | 66 | 65 | -  | 63 | 62 | 61 | 60 | -  | -  | 57 | 56     | 55       | -                                   | 53 |    |
|  |                      |                   |             |        |             |            |                   |     |          |           | 52   | 51 | 50 | 49 | 48 | 47 | -  | -  | 44 | 43 | 42 | 41 | 40 | 39 | -  | 37 | 36     | 35       | 34                                  | 33 |    |
|  |                      |                   |             |        |             |            |                   |     |          |           | -  |    |    |    |    |    |    |    |    |    |    |    |    |    |    |    | -      | 31       | -                                   | -  | -  |
| MX123 CONN ASSY 73 CKT GRY OPT0 KEY B/37 | 345664153            | C-HSG-B0          | G-CAP-0-P   | TPA-B0 | RS          | LS         | MAL               | CPA | MSEAL    | RSEAL     | -  | 71 | -  | 69 | -  | 67 | -  | 65 | 64 | 63 | 62 | 61 | -  | -  | 58 | 57 | 56     | -        | -                                   | -  |    |
|  |                      |                   |             |        |             |            |                   |     |          |           | -  | 51 | -  | 49 | -  | 47 | -  | 45 | -  | 43 | 42 | 41 | -  | -  | 38 | 37 | 36     | -        | -                                   | -  |    |
|  |                      |                   |             |        |             |            |                   |     |          |           | -  |    |    |    |    |    |    |    |    |    |    |    |    |    |    |    | -      | -        | -                                   | -  | -  |
| MX123 CONN ASSY 73 CKT GRY OPT0 KEY B/22 | 345664143            | C-HSG-B0          | G-CAP-0-P   | TPA-B0 | RS          | LS         | MAL               | CPA | MSEAL    | RSEAL     | 72   | 71 | 70 | 69 | -  | -  | 66 | 65 | -  | 63 | 62 | 61 | 60 | -  | -  | 57 | 56     | 55       | -                                   | 53 |    |
|  |                      |                   |             |        |             |            |                   |     |          |           | 52   | 51 | 50 | 49 | 48 | 47 | -  | -  | 44 | 43 | 42 | 41 | 40 | 39 | -  | 37 | 36     | 35       | 34                                  | 33 |    |
|  |                      |                   |             |        |             |            |                   |     |          |           | -  |    |    |    |    |    |    |    |    |    |    |    |    |    |    |    | -      | 31       | -                                   | -  | -  |
| MX123 CONN ASSY 73 CKT GRY OPT0 KEY B/37 | 345664153            | C-HSG-B0          | G-CAP-0-P   | TPA-B0 | RS          | LS         | MAL               | CPA | MSEAL    | RSEAL     | -  | 71 | -  | 69 | -  | 67 | -  | 65 | 64 | 63 | 62 | 61 | -  | -  | 58 | 57 | 56     | -        | -                                   | -  |    |
|  |                      |                   |             |        |             |            |                   |     |          |           | -  | 51 | -  | 49 | -  | 47 | -  | 45 | -  | 43 | 42 | 41 | -  | -  | 38 | 37 | 36     | -        | -                                   | -  |    |
|  |                      |                   |             |        |             |            |                   |     |          |           | -  |    |    |    |    |    |    |    |    |    |    |    |    |    |    |    | -      | -        | -                                   | -  | -  |



| ASSEMBLY DESCRIPTION                     | ASSEMBLY PART NUMBER | CONNECTOR HOUSING | GROMMET CAP | TPA    | RIGHT SLIDE | LEFT SLIDE | MATE ASSIST LEVER | CPA | MAT SEAL | RING SEAL | BLOCKED TERMINALS  |    |    |    |    |    |    |    |    |    |    |    |    |    |    |    |    |    | STATUS | COMMENTS | INTEGRAL COMPONENTS SOLD SEPARATELY |    |    |
|--|----------------------|-------------------|-------------|--------|-------------|------------|-------------------|-----|----------|-----------|--|----|----|----|----|----|----|----|----|----|----|----|----|----|----|----|----|----|--------|----------|-------------------------------------|----|----|
|  |                      |                   |             |        |             |            |                   |     |          |           | CAVITY WITH A NUMBER INDICATES BLOCKED TERMINAL POSITION |    |    |    |    |    |    |    |    |    |    |    |    |    |    |    |    |    |        |          | DRESS COVER                         |    |    |
|  |                      |                   |             |        |             |            |                   |     |          |           | CAVITY WITHOUT A NUMBER INDICATES OPEN TERMINAL POSITION |    |    |    |    |    |    |    |    |    |    |    |    |    |    |    |    |    |        |          |                                     |    |    |
| MX123 CONN ASSY 73 CKT GRY OPT0 KEY B/35 | 345664163            | C-HSG-B0          | G-CAP-0-P   | TPA-B0 | RS          | LS         | MAL               | CPA | MSEAL    | RSEAL     | -  | 71 | -  | 69 | -  | 67 | -  | 65 | 64 | 63 | 62 | 61 | -  | -  | 58 | 57 | 56 | -  | -      | -        |                                     |    |    |
|  |                      |                   |             |        |             |            |                   |     |          |           | -  | 51 | -  | 49 | -  | 47 | -  | 45 | 44 | 43 | 42 | 41 | -  | -  | 38 | 37 | 36 | -  | -      | -        |                                     |    |    |
|  |                      |                   |             |        |             |            |                   |     |          |           |  |    |    |    |    |    |    |    |    |    |    |    |    |    |    |    |    |    | 23     | 22       | 21                                  | 20 | 19 |
| MX123 CONN ASSY 73 CKT BLK OPT0 KEY A/42 | 345664173            | C-HSG-A0          | G-CAP-0-P   | TPA-A0 | RS          | LS         | MAL               | CPA | MSEAL    | RSEAL     | -  | -  | -  | -  | 68 | 67 | 66 | 65 | -  | -  | 62 | 61 | -  | -  | -  | 57 | -  | -  | -      |          |                                     |    |    |
|  |                      |                   |             |        |             |            |                   |     |          |           | -  | -  | 50 | -  | 48 | -  | 46 | -  | -  | -  | -  | -  | 40 | 39 | -  | 37 | -  | 35 | -      | 33       |                                     |    |    |
|  |                      |                   |             |        |             |            |                   |     |          |           |  |    |    |    |    |    |    |    |    |    |    |    |    |    |    |    |    |    | -      | 31       | -                                   | 29 | -  |
| MX123 CONN ASSY 73 CKT BLU OPT0 KEY C/41 | 345664183            | C-HSG-C0          | G-CAP-0-P   | TPA-C0 | RS          | LS         | MAL               | CPA | MSEAL    | RSEAL     | -  | 71 | -  | 69 | -  | 67 | -  | 65 | 64 | -  | -  | 61 | 60 | -  | -  | -  | 56 | 55 | 54     | -        |                                     |    |    |
|  |                      |                   |             |        |             |            |                   |     |          |           | -  | -  | 50 | 49 | -  | -  | -  | 45 | -  | 43 | -  | 41 | -  | -  | 38 | 37 | 36 | 35 | -      | -        |                                     |    |    |
|  |                      |                   |             |        |             |            |                   |     |          |           |  |    |    |    |    |    |    |    |    |    |    |    |    |    |    |    |    |    | -      | 31       | -                                   | 29 | 28 |
| MX123 CONN ASSY 73 CKT BLU OPT0 KEY C/38 | 345664193            | C-HSG-C0          | G-CAP-0-P   | TPA-C0 | RS          | LS         | MAL               | CPA | MSEAL    | RSEAL     | 72   | -  | 70 | -  | 68 | 67 | 66 | -  | -  | 63 | 62 | -  | -  | 59 | -  | 57 | -  | -  | -      | 53       |                                     |    |    |
|  |                      |                   |             |        |             |            |                   |     |          |           | 52   | 51 | -  | -  | 48 | 47 | 46 | -  | 44 | -  | 42 | -  | 40 | 39 | -  | -  | -  | -  | 34     | 33       |                                     |    |    |
|  |                      |                   |             |        |             |            |                   |     |          |           |  |    |    |    |    |    |    |    |    |    |    |    |    |    |    |    |    |    | 32     | -        | 30                                  | -  | -  |
| MX123 CONN ASSY 73 CKT GRY OPT0 KEY B/48 | 345664203            | C-HSG-B0          | G-CAP-0-P   | TPA-B0 | RS          | LS         | MAL               | CPA | MSEAL    | RSEAL     | 72   | 71 | 70 | 69 | 68 | 67 | 66 | 65 | -  | 63 | 62 | 61 | 60 | -  | 58 | -  | 56 | -  | 54     | -        |                                     |    |    |
|  |                      |                   |             |        |             |            |                   |     |          |           | 52   | 51 | -  | -  | -  | 47 | -  | 45 | 44 | 43 | 42 | 41 | 40 | -  | 38 | -  | 36 | -  | 34     | -        |                                     |    |    |
|  |                      |                   |             |        |             |            |                   |     |          |           |  |    |    |    |    |    |    |    |    |    |    |    |    |    |    |    |    |    | -      | 31       | 30                                  | -  | 28 |
| MX123 CONN ASSY 73 CKT BLK OPT0 KEY A/36 | 345664213            | C-HSG-A0          | G-CAP-0-P   | TPA-A0 | RS          | LS         | MAL               | CPA | MSEAL    | RSEAL     | -  | -  | 70 | 69 | -  | -  | -  | -  | -  | 63 | 62 | 61 | -  | -  | -  | 57 | 56 | 55 | 54     | 53       |                                     |    |    |
|  |                      |                   |             |        |             |            |                   |     |          |           | 52   | 51 | -  | 49 | -  | -  | -  | -  | 44 | 43 | 42 | 41 | -  | -  | -  | 37 | 36 | -  | 34     | 33       |                                     |    |    |
|  |                      |                   |             |        |             |            |                   |     |          |           |  |    |    |    |    |    |    |    |    |    |    |    |    |    |    |    |    |    | 32     | -        | -                                   | 29 | 28 |
| MX123 CONN ASSY 73 CKT BLK OPT0 KEY A/38 | 345664223            | C-HSG-A0          | G-CAP-0-P   | TPA-A0 | RS          | LS         | MAL               | CPA | MSEAL    | RSEAL     | -  | -  | 70 | 69 | -  | -  | -  | -  | -  | 63 | 62 | 61 | -  | -  | 58 | 57 | 56 | 55 | 54     | 53       |                                     |    |    |
|  |                      |                   |             |        |             |            |                   |     |          |           | 52   | 51 | -  | 49 | -  | -  | -  | -  | 44 | 43 | 42 | 41 | -  | -  | -  | 37 | 36 | -  | 34     | -        |                                     |    |    |
|  |                      |                   |             |        |             |            |                   |     |          |           |  |    |    |    |    |    |    |    |    |    |    |    |    |    |    |    |    |    | 32     | -        | -                                   | 29 | 28 |
| MX123 CONN ASSY 73 CKT GRY OPT0 KEY B/23 | 345664233            | C-HSG-B0          | G-CAP-0-P   | TPA-B0 | RS          | LS         | MAL               | CPA | MSEAL    | RSEAL     | 72   | 71 | 70 | -  | 68 | 67 | 66 | -  | -  | -  | 62 | 61 | 60 | 59 | 58 | 57 | 56 | 55 | 54     | 53       |                                     |    |    |
|  |                      |                   |             |        |             |            |                   |     |          |           | 52   | 51 | 50 | -  | 48 | 47 | 46 | -  | -  | -  | 42 | 41 | 40 | 39 | 38 | 37 | 36 | 35 | 34     | 33       |                                     |    |    |
|  |                      |                   |             |        |             |            |                   |     |          |           |  |    |    |    |    |    |    |    |    |    |    |    |    |    |    |    |    |    | 32     | 31       | 30                                  | 29 | 28 |
| MX123 CONN ASSY 73 CKT BLK OPT0 KEY A/21 | 345664243            | C-HSG-A0          | G-CAP-0-P   | TPA-A0 | RS          | LS         | MAL               | CPA | MSEAL    | RSEAL     | 72   | 71 | 70 | 69 | 68 | 67 | 66 | 65 | 64 | 63 | 62 | -  | 60 | 59 | -  | -  | -  | 55 | 54     | 53       |                                     |    |    |
|  |                      |                   |             |        |             |            |                   |     |          |           | 52   | -  | -  | 49 | 48 | -  | -  | 45 | 44 | 43 | 42 | 41 | 40 | 39 | -  | -  | -  | 35 | 34     | 33       |                                     |    |    |
|  |                      |                   |             |        |             |            |                   |     |          |           |  |    |    |    |    |    |    |    |    |    |    |    |    |    |    |    |    |    | 32     | -        | -                                   | 29 | 28 |
| MX123 CONN ASSY 73 CKT BLK OPT0 KEY A/23 | 345664253            | C-HSG-A0          | G-CAP-0-P   | TPA-A0 | RS          | LS         | MAL               | CPA | MSEAL    | RSEAL     | 72   | 71 | 70 | 69 | 68 | 67 | 66 | -  | 64 | 63 | 62 | -  | 60 | 59 | -  | -  | -  | 55 | 54     | 53       |                                     |    |    |
|  |                      |                   |             |        |             |            |                   |     |          |           | 52   | -  | -  | 49 | 48 | -  | -  | -  | 44 | 43 | 42 | 41 | 40 | 39 | -  | -  | -  | 35 | 34     | 33       |                                     |    |    |
|  |                      |                   |             |        |             |            |                   |     |          |           |  |    |    |    |    |    |    |    |    |    |    |    |    |    |    |    |    |    | 32     | -        | -                                   | 29 | 28 |
| MX123 CONN ASSY 73 CKT GRY OPT0 KEY B/36 | 345664263            | C-HSG-B0          | G-CAP-0-P   | TPA-B0 | RS          | LS         | MAL               | CPA | MSEAL    | RSEAL     | -  | -  | -  | -  | -  | 67 | 66 | -  | -  | 63 | -  | -  | -  | 59 | 58 | 57 | 56 | 55 | -      | 53       |                                     |    |    |
|  |                      |                   |             |        |             |            |                   |     |          |           | -  | -  | 50 | 49 | 48 | -  | -  | 45 | -  | 43 | -  | -  | -  | 39 | 38 | 37 | 36 | 35 | 34     | 33       |                                     |    |    |
|  |                      |                   |             |        |             |            |                   |     |          |           |  |    |    |    |    |    |    |    |    |    |    |    |    |    |    |    |    |    | -      | -        | -                                   | 29 | -  |
| MX123 CONN ASSY 73 CKT GRY OPT0 KEY B/40 | 345664273            | C-HSG-B0          | G-CAP-0-P   | TPA-B0 | RS          | LS         | MAL               | CPA | MSEAL    | RSEAL     | -  | -  | -  | -  | -  | -  | -  | -  | -  | 63 | -  | -  | -  | 59 | 58 | 57 | 56 | 55 | -      | 53       |                                     |    |    |
|  |                      |                   |             |        |             |            |                   |     |          |           | -  | -  | 50 | 49 | 48 | -  | 46 | -  | -  | 43 | -  | -  | -  | 39 | 38 | 37 | 36 | 35 | 34     | 33       |                                     |    |    |
|  |                      |                   |             |        |             |            |                   |     |          |           |  |    |    |    |    |    |    |    |    |    |    |    |    |    |    |    |    |    | -      | -        | -                                   | 29 | -  |





| ASSEMBLY DESCRIPTION                     | ASSEMBLY PART NUMBER | CONNECTOR HOUSING | GROMMET CAP | TPA    | RIGHT SLIDE | LEFT SLIDE | MATE ASSIST LEVER | CPA | MAT SEAL | RING SEAL | BLOCKED TERMINALS  |    |    |    |    |    |    |    |    |    |    |    |    |    |    |    |    |    | STATUS | COMMENTS | INTEGRAL COMPONENTS SOLD SEPARATELY |
|--|----------------------|-------------------|-------------|--------|-------------|------------|-------------------|-----|----------|-----------|--|----|----|----|----|----|----|----|----|----|----|----|----|----|----|----|----|----|--------|----------|-------------------------------------|
|  |                      |                   |             |        |             |            |                   |     |          |           | CAVITY WITH A NUMBER INDICATES BLOCKED TERMINAL POSITION |    |    |    |    |    |    |    |    |    |    |    |    |    |    |    |    |    |        |          | DRESS COVER                         |
|  |                      |                   |             |        |             |            |                   |     |          |           | CAVITY WITHOUT A NUMBER INDICATES OPEN TERMINAL POSITION |    |    |    |    |    |    |    |    |    |    |    |    |    |    |    |    |    |        |          |                                     |
| MX123 CONN ASSY 73 CKT BLU OPT9 KEY C/42 | 345664423            | C-HSG-C9          | G-CAP-9-P   | TPA-C9 | RS          | LS         | MAL               | CPA | MSEAL    | RSEAL     | -  | 71 | -  | 69 | -  | -  | -  | 65 | 64 | -  | -  | 61 | 60 | -  | -  | 58 | -  | 56 | 55     | 54       | -                                   |
|  |                      |                   |             |        |             |            |                   |     |          |           | -  | -  | 50 | 49 | -  | -  | -  | 45 | -  | 43 | -  | 41 | -  | -  | -  | -  | -  | 35 | -      | -        |                                     |
|  |                      |                   |             |        |             |            |                   |     |          |           |  |    |    |    | -  | 31 | -  | 29 | 28 | -  | -  | -  | -  | 23 | -  | -  | 20 | 19 | 18     | 17       |                                     |
|  |                      |                   |             |        |             |            |                   |     |          |           | -  | 16 | -  | -  | 13 | 12 | 11 | -  | -  | -  | 7  | -  | -  | -  | 3  | -  | 1  |    |        |          |                                     |
| MX123 CONN ASSY 73 CKT BLK OPT9 KEY A/40 | 345664433            | C-HSG-A9          | G-CAP-9-P   | TPA-A9 | RS          | LS         | MAL               | CPA | MSEAL    | RSEAL     | 72   | 71 | -  | -  | 68 | 67 | 66 | 65 | 64 | -  | -  | -  | -  | 59 | -  | -  | -  | -  | -      |          |                                     |
|  |                      |                   |             |        |             |            |                   |     |          |           | -  | -  | -  | -  | 48 | 47 | 46 | 45 | -  | -  | -  | -  | -  | 39 | 38 | -  | -  | 35 | -      | 33       |                                     |
|  |                      |                   |             |        |             |            |                   |     |          |           |  |    |    |    | -  | 31 | 30 | -  | -  | -  | -  | 25 | 24 | 23 | 22 | 21 | 20 | -  | -      | 17       |                                     |
|  |                      |                   |             |        |             |            |                   |     |          |           | -  | -  | -  | -  | -  | -  | -  | -  | 9  | 8  | 7  | 6  | 5  | 4  | -  | 2  | 1  |    |        |          |                                     |
| MX123 CONN ASSY 73 CKT BLK OPT9 KEY A/32 | 345664443            | C-HSG-A9          | G-CAP-9-P   | TPA-A9 | RS          | LS         | MAL               | CPA | MSEAL    | RSEAL     | 72   | 71 | 70 | 69 | 68 | -  | -  | 65 | 64 | 63 | 62 | 61 | 60 | 59 | 58 | 57 | 56 | 55 | 54     | 53       |                                     |
|  |                      |                   |             |        |             |            |                   |     |          |           | 52   | 51 | 50 | 49 | -  | -  | 46 | 45 | 44 | 43 | 42 | -  | 40 | 39 | 38 | 37 | 36 | 35 | 34     | 33       |                                     |
|  |                      |                   |             |        |             |            |                   |     |          |           |  |    |    |    | -  | -  | -  | -  | 28 | -  | -  | -  | 24 | 23 | -  | -  | 20 | -  | -      |          |                                     |
|  |                      |                   |             |        |             |            |                   |     |          |           | -  | -  | -  | -  | 12 | -  | -  | -  | -  | -  | -  | -  | -  | -  | -  | 2  | -  |    |        |          |                                     |
| MX123 CONN ASSY 73 CKT BLK OPT0 KEY A/45 | 345664453            | C-HSG-A0          | G-CAP-0-P   | TPA-A0 | RS          | LS         | MAL               | CPA | MSEAL    | RSEAL     | -  | -  | -  | -  | -  | 67 | 66 | -  | -  | -  | -  | -  | -  | -  | -  | -  | -  | -  | -      |          |                                     |
|  |                      |                   |             |        |             |            |                   |     |          |           | -  | -  | -  | -  | -  | 47 | -  | -  | -  | -  | 41 | -  | -  | -  | -  | -  | -  | -  | -      |          |                                     |
|  |                      |                   |             |        |             |            |                   |     |          |           |  |    |    |    | 32 | 31 | 30 | 29 | -  | 27 | 26 | 25 | -  | -  | 22 | 21 | -  | 19 | 18     | 17       |                                     |
|  |                      |                   |             |        |             |            |                   |     |          |           | -  | 16 | 15 | 14 | 13 | -  | -  | 10 | 9  | 8  | 7  | 6  | 5  | 4  | 3  | -  | -  |    |        |          |                                     |
| MX123 CONN ASSY 73 CKT GRY OPT9 KEY B/18 | 345664463            | C-HSG-B9          | G-CAP-9-P   | TPA-B9 | RS          | LS         | MAL               | CPA | MSEAL    | RSEAL     | 72   | 71 | 70 | 69 | 68 | 67 | 66 | 65 | 64 | -  | 62 | 61 | 60 | 59 | 58 | 57 | 56 | 55 | 54     | -        |                                     |
|  |                      |                   |             |        |             |            |                   |     |          |           | 52   | 51 | 50 | 49 | -  | -  | 46 | -  | 44 | -  | -  | 41 | 40 | -  | 38 | 37 | 36 | -  | -      | -        |                                     |
|  |                      |                   |             |        |             |            |                   |     |          |           |  |    |    |    | 32 | 31 | 30 | 29 | 28 | 27 | -  | 25 | 24 | -  | -  | 21 | 20 | -  | 18     | 17       |                                     |
|  |                      |                   |             |        |             |            |                   |     |          |           | -  | 16 | 15 | 14 | 13 | 12 | -  | 10 | 9  | 8  | 7  | 6  | 5  | 4  | 3  | 2  | -  |    |        |          |                                     |
| MX123 CONN ASSY 73 CKT GRY OPT0 KEY B/21 | 345664473            | C-HSG-B0          | G-CAP-0-P   | TPA-B0 | RS          | LS         | MAL               | CPA | MSEAL    | RSEAL     | 72   | 71 | 70 | 69 | 68 | 67 | 66 | 65 | -  | -  | -  | 61 | 60 | -  | -  | 57 | 56 | 55 | 54     | -        |                                     |
|  |                      |                   |             |        |             |            |                   |     |          |           | 52   | 51 | 50 | 49 | 48 | -  | 46 | -  | 44 | -  | -  | 41 | 40 | -  | 38 | 37 | 36 | -  | -      | -        |                                     |
|  |                      |                   |             |        |             |            |                   |     |          |           |  |    |    |    | 32 | 31 | 30 | 29 | 28 | 27 | -  | -  | 24 | -  | -  | 21 | 20 | 19 | 18     | 17       |                                     |
|  |                      |                   |             |        |             |            |                   |     |          |           | -  | 16 | 15 | 14 | 13 | 12 | 11 | 10 | 9  | 8  | 7  | 6  | 5  | 4  | -  | 2  | -  |    |        |          |                                     |
| MX123 CONN ASSY 73 CKT BLU OPT9 KEY C/54 | 345664483            | C-HSG-C9          | G-CAP-9-P   | TPA-C9 | RS          | LS         | MAL               | CPA | MSEAL    | RSEAL     | -  | 71 | -  | 69 | -  | -  | -  | 65 | 64 | -  | -  | 61 | 60 | -  | -  | -  | -  | -  | 54     | -        |                                     |
|  |                      |                   |             |        |             |            |                   |     |          |           | -  | -  | 50 | -  | -  | -  | -  | 45 | -  | 43 | 42 | 41 | -  | -  | -  | -  | -  | 35 | -      | -        |                                     |
|  |                      |                   |             |        |             |            |                   |     |          |           |  |    |    |    | -  | 31 | -  | 29 | 28 | -  | -  | -  | -  | -  | -  | -  | -  | -  | -      | -        |                                     |
|  |                      |                   |             |        |             |            |                   |     |          |           | -  | 16 | -  | -  | -  | 12 | 11 | -  | -  | -  | -  | -  | -  | -  | -  | -  | -  |    |        |          |                                     |
| MX123 CONN ASSY 73 CKT BLK OPT9 KEY A/58 | 345664493            | C-HSG-A9          | G-CAP-9-P   | TPA-A9 | RS          | LS         | MAL               | CPA | MSEAL    | RSEAL     | -  | -  | -  | -  | 68 | -  | 66 | 65 | -  | -  | -  | -  | -  | -  | -  | -  | -  | -  | -      |          |                                     |
|  |                      |                   |             |        |             |            |                   |     |          |           | -  | -  | -  | -  | -  | -  | 46 | -  | -  | -  | -  | -  | -  | 38 | -  | -  | 35 | -  | 33     |          |                                     |
|  |                      |                   |             |        |             |            |                   |     |          |           |  |    |    |    | -  | 31 | -  | -  | -  | -  | -  | 25 | -  | -  | 22 | -  | 20 | -  | -      |          |                                     |
|  |                      |                   |             |        |             |            |                   |     |          |           | -  | -  | -  | -  | -  | -  | -  | 9  | -  | 7  | 6  | -  | 4  | -  | -  | -  |    |    |        |          |                                     |
| MX123 CONN ASSY 73 CKT GRY OPT9 KEY B/56 | 345664513            | C-HSG-B9          | G-CAP-9-P   | TPA-B9 | RS          | LS         | MAL               | CPA | MSEAL    | RSEAL     | -  | -  | -  | 69 | -  | -  | -  | 65 | 64 | 63 | -  | -  | -  | -  | -  | -  | -  | -  | -      |          |                                     |
|  |                      |                   |             |        |             |            |                   |     |          |           | -  | -  | -  | 49 | -  | -  | -  | 45 | 44 | 43 | -  | -  | -  | -  | -  | -  | -  | -  | -      |          |                                     |
|  |                      |                   |             |        |             |            |                   |     |          |           |  |    |    |    | -  | -  | -  | -  | -  | -  | -  | -  | -  | 22 | 21 | 20 | -  | -  | -      |          |                                     |
|  |                      |                   |             |        |             |            |                   |     |          |           | -  | -  | -  | -  | 12 | 11 | -  | 9  | -  | -  | 6  | 5  | 4  | -  | -  | -  |    |    |        |          |                                     |
| MX123 CONN ASSY 73 CKT BLK OPT0 KEY A/38 | 345664533            | C-HSG-A0          | G-CAP-0-P   | TPA-A0 | RS          | LS         | MAL               | CPA | MSEAL    | RSEAL     | -  | 71 | 70 | -  | 68 | -  | 66 | -  | 64 | -  | 62 | 61 | -  | 59 | 58 | -  | -  | 55 | 54     | -        |                                     |
|  |                      |                   |             |        |             |            |                   |     |          |           | 52   | 51 | 50 | -  | 48 | -  | 46 | 45 | -  | -  | 42 | 41 | -  | 39 | 38 | -  | -  | -  | 34     | -        |                                     |
|  |                      |                   |             |        |             |            |                   |     |          |           |  |    |    |    | 32 | -  | -  | -  | -  | 27 | 26 | 25 | -  | 23 | 22 | -  | -  | 19 | 18     | -        |                                     |
|  |                      |                   |             |        |             |            |                   |     |          |           | -  | -  | -  | -  | 12 | -  | -  | 9  | 8  | 7  | 6  | -  | -  | -  | -  | -  |    |    |        |          |                                     |
| MX123 CONN ASSY 73 CKT GRY OPT0 KEY B/27 | 345664543            | C-HSG-B0          | G-CAP-0-P   | TPA-B0 | RS          | LS         | MAL               | CPA | MSEAL    | RSEAL     | 72   | 71 | 70 | 69 | -  | -  | 66 | 65 | -  | -  | 62 | 61 | 60 | 59 | -  | -  | 56 | -  | 54     | -        |                                     |
|  |                      |                   |             |        |             |            |                   |     |          |           | 52   | 51 | 50 | 49 | 48 | 47 | -  | -  | 44 | -  | 42 | 41 | 40 | 39 | -  | -  | 36 | -  | 34     | 33       |                                     |
|  |                      |                   |             |        |             |            |                   |     |          |           |  |    |    |    | -  | 31 | -  | -  | -  | -  | 26 | 25 | 24 | 23 | -  | -  | 20 | -  | 18     | -        |                                     |
|  |                      |                   |             |        |             |            |                   |     |          |           | -  | 16 | 15 | 14 | 13 | -  | 11 | -  | 9  | 8  | 7  | 6  | 5  | 4  | 3  | 2  | -  |    |        |          |                                     |
| MX123 CONN ASSY 73 CKT GRY OPT0 KEY B/23 | 345664553            | C-HSG-B0          | G-CAP-0-P   | TPA-B0 | RS          | LS         | MAL               | CPA | MSEAL    | RSEAL     | 72   | 71 | 70 | 69 | -  | -  | 66 | 65 | -  | -  | 62 | 61 | 60 | 59 | -  | -  | 56 | 55 | 54     | -        |                                     |
|  |                      |                   |             |        |             |            |                   |     |          |           | 52   | 51 | 50 | 49 | 48 | 47 | -  | -  | 44 | -  | 42 | 41 | 40 | 39 | -  | -  | 36 | 35 | 34     | 33       |                                     |
|  |                      |                   |             |        |             |            |                   |     |          |           |  |    |    |    | -  | 31 | -  | -  | -  | -  | 26 | 25 | 24 | 23 | -  | -  | 20 | 19 | 18     | -        |                                     |
|  |                      |                   |             |        |             |            |                   |     |          |           | -  | 16 | 15 | 14 | 13 | -  | 11 | -  | 9  | 8  | 7  | 6  | 5  | 4  | 3  | 2  | 1  |    |        |          |                                     |

| ASSEMBLY DESCRIPTION                     | ASSEMBLY PART NUMBER | CONNECTOR HOUSING | GROMMET CAP | TPA    | RIGHT SLIDE | LEFT SLIDE | MATE ASSIST LEVER | CPA | MAT SEAL | RING SEAL | BLOCKED TERMINALS  |    |    |    |    |    |    |    |    |    |    |    |    |    |    |    |    |    | STATUS | COMMENTS | INTEGRAL COMPONENTS SOLD SEPARATELY |
|--|----------------------|-------------------|-------------|--------|-------------|------------|-------------------|-----|----------|-----------|--|----|----|----|----|----|----|----|----|----|----|----|----|----|----|----|----|----|--------|----------|-------------------------------------|
|  |                      |                   |             |        |             |            |                   |     |          |           | CAVITY WITH A NUMBER INDICATES BLOCKED TERMINAL POSITION |    |    |    |    |    |    |    |    |    |    |    |    |    |    |    |    |    |        |          | DRESS COVER                         |
|  |                      |                   |             |        |             |            |                   |     |          |           | CAVITY WITHOUT A NUMBER INDICATES OPEN TERMINAL POSITION |    |    |    |    |    |    |    |    |    |    |    |    |    |    |    |    |    |        |          |                                     |
| MX123 CONN ASSY 73 CKT GRY OPT0 KEY B/24 | 345664563            | C-HSG-B0          | G-CAP-0-P   | TPA-B0 | RS          | LS         | MAL               | CPA | MSEAL    | RSEAL     | 72   | 71 | 70 | 69 | -  | -  | 66 | 65 | -  | -  | 62 | 61 | 60 | 59 | -  | 57 | 56 | -  | 54     | -        |                                     |
|  |                      |                   |             |        |             |            |                   |     |          |           | 52   | 51 | 50 | 49 | 48 | 47 | -  | -  | 44 | -  | 42 | 41 | 40 | 39 | -  | 37 | 36 | -  | 34     | 33       |                                     |
|  |                      |                   |             |        |             |            |                   |     |          |           | -  |    |    |    |    |    |    |    |    |    |    |    |    |    |    |    |    |    |        |          |                                     |
| MX123 CONN ASSY 73 CKT GRY OPT0 KEY B/20 | 345664573            | C-HSG-B0          | G-CAP-0-P   | TPA-B0 | RS          | LS         | MAL               | CPA | MSEAL    | RSEAL     | 72   | 71 | 70 | 69 | -  | -  | 66 | 65 | -  | -  | 62 | 61 | 60 | 59 | -  | 57 | 56 | 55 | 54     | -        |                                     |
|  |                      |                   |             |        |             |            |                   |     |          |           | 52   | 51 | 50 | 49 | 48 | 47 | -  | -  | 44 | -  | 42 | 41 | 40 | 39 | -  | 37 | 36 | 35 | 34     | 33       |                                     |
|  |                      |                   |             |        |             |            |                   |     |          |           | -  |    |    |    |    |    |    |    |    |    |    |    |    |    |    |    |    |    |        |          |                                     |
| MX123 CONN ASSY 73 CKT GRY OPT0 KEY B/19 | 345664583            | C-HSG-B0          | G-CAP-0-P   | TPA-B0 | RS          | LS         | MAL               | CPA | MSEAL    | RSEAL     | 72   | 71 | 70 | 69 | -  | -  | 66 | 65 | -  | 63 | 62 | 61 | 60 | 59 | -  | 57 | 56 | 55 | 54     | -        |                                     |
|  |                      |                   |             |        |             |            |                   |     |          |           | 52   | 51 | 50 | 49 | 48 | 47 | -  | -  | 44 | 43 | 42 | 41 | 40 | 39 | -  | 37 | 36 | 35 | 34     | 33       |                                     |
|  |                      |                   |             |        |             |            |                   |     |          |           | -  |    |    |    |    |    |    |    |    |    |    |    |    |    |    |    |    |    |        |          |                                     |
| MX123 CONN ASSY 73 CKT GRY OPT0 KEY B/18 | 345664593            | C-HSG-B0          | G-CAP-0-P   | TPA-B0 | RS          | LS         | MAL               | CPA | MSEAL    | RSEAL     | 72   | 71 | 70 | 69 | -  | -  | 66 | 65 | -  | 63 | 62 | 61 | 60 | 59 | -  | 57 | 56 | 55 | 54     | -        |                                     |
|  |                      |                   |             |        |             |            |                   |     |          |           | 52   | 51 | 50 | 49 | 48 | 47 | -  | -  | 44 | 43 | 42 | 41 | 40 | 39 | -  | 37 | 36 | 35 | 34     | 33       |                                     |
|  |                      |                   |             |        |             |            |                   |     |          |           | -  |    |    |    |    |    |    |    |    |    |    |    |    |    |    |    |    |    |        |          |                                     |
| MX123 CONN ASSY 73 CKT BLK OPT0 KEY A/42 | 345664613            | C-HSG-A0          | G-CAP-0-P   | TPA-A0 | RS          | LS         | MAL               | CPA | MSEAL    | RSEAL     | -  | 71 | 70 | -  | 68 | -  | -  | -  | 64 | -  | 62 | 61 | -  | 59 | 58 | -  | -  | 55 | 54     | -        |                                     |
|  |                      |                   |             |        |             |            |                   |     |          |           | 52   | 51 | 50 | -  | 48 | -  | 46 | 45 | -  | -  | -  | 41 | -  | 39 | 38 | -  | -  | -  | 34     | -        |                                     |
|  |                      |                   |             |        |             |            |                   |     |          |           | -  |    |    |    |    |    |    |    |    |    |    |    |    |    |    |    |    |    |        |          |                                     |
| MX123 CONN ASSY 73 CKT GRY OPT0 KEY B/36 | 345664623            | C-HSG-B0          | G-CAP-0-P   | TPA-B0 | RS          | LS         | MAL               | CPA | MSEAL    | RSEAL     | -  | 71 | -  | 69 | -  | 67 | -  | 65 | 64 | 63 | 62 | 61 | -  | -  | 58 | 57 | 56 | -  | -      | -        |                                     |
|  |                      |                   |             |        |             |            |                   |     |          |           | -  | 51 | -  | 49 | -  | 47 | -  | 45 | 44 | 43 | 42 | 41 | -  | -  | 38 | 37 | 36 | -  | -      | -        |                                     |
|  |                      |                   |             |        |             |            |                   |     |          |           | -  |    |    |    |    |    |    |    |    |    |    |    |    |    |    |    |    |    |        |          |                                     |
| MX123 CONN ASSY 73 CKT BLK OPT0 KEY A/39 | 345664633            | C-HSG-A0          | G-CAP-0-P   | TPA-A0 | RS          | LS         | MAL               | CPA | MSEAL    | RSEAL     | 72   | -  | -  | -  | 68 | 67 | 66 | 65 | -  | -  | 62 | 61 | -  | -  | -  | 57 | -  | -  | -      | -        |                                     |
|  |                      |                   |             |        |             |            |                   |     |          |           | -  | -  | 50 | -  | 48 | -  | 46 | -  | -  | -  | -  | -  | 40 | 39 | -  | 37 | -  | 35 | -      | 33       |                                     |
|  |                      |                   |             |        |             |            |                   |     |          |           | -  |    |    |    |    |    |    |    |    |    |    |    |    |    |    |    |    |    |        |          |                                     |
| MX123 CONN ASSY 73 CKT GRY OPT0 KEY B/38 | 345664643            | C-HSG-B0          | G-CAP-0-P   | TPA-B0 | RS          | LS         | MAL               | CPA | MSEAL    | RSEAL     | -  | 71 | -  | 69 | -  | 67 | -  | 65 | 64 | 63 | 62 | 61 | -  | -  | 58 | 57 | 56 | -  | -      | -        |                                     |
|  |                      |                   |             |        |             |            |                   |     |          |           | -  | 51 | -  | 49 | -  | 47 | -  | 45 | 44 | 43 | 42 | 41 | -  | -  | 38 | 37 | 36 | -  | -      | -        |                                     |
|  |                      |                   |             |        |             |            |                   |     |          |           | -  |    |    |    |    |    |    |    |    |    |    |    |    |    |    |    |    |    |        |          |                                     |
| MX123 CONN ASSY 73 CKT BLK OPT0 KEY A/37 | 345664653            | C-HSG-A0          | G-CAP-0-P   | TPA-A0 | RS          | LS         | MAL               | CPA | MSEAL    | RSEAL     | 72   | -  | -  | -  | 68 | -  | 66 | 65 | -  | -  | 62 | 61 | -  | -  | 58 | 57 | -  | -  | -      | -        |                                     |
|  |                      |                   |             |        |             |            |                   |     |          |           | -  | -  | 50 | -  | 48 | -  | 46 | -  | -  | -  | -  | -  | 40 | 39 | -  | 37 | -  | 35 | -      | 33       |                                     |
|  |                      |                   |             |        |             |            |                   |     |          |           | -  |    |    |    |    |    |    |    |    |    |    |    |    |    |    |    |    |    |        |          |                                     |
| MX123 CONN ASSY 73 CKT BLK OPT0 KEY A/36 | 345664663            | C-HSG-A0          | G-CAP-0-P   | TPA-A0 | RS          | LS         | MAL               | CPA | MSEAL    | RSEAL     | 72   | -  | -  | -  | 68 | 67 | 66 | 65 | -  | -  | 62 | 61 | -  | -  | -  | 57 | -  | -  | -      | -        |                                     |
|  |                      |                   |             |        |             |            |                   |     |          |           | -  | -  | 50 | -  | 48 | -  | 46 | -  | -  | -  | -  | -  | 40 | 39 | -  | 37 | -  | 35 | -      | 33       |                                     |
|  |                      |                   |             |        |             |            |                   |     |          |           | -  |    |    |    |    |    |    |    |    |    |    |    |    |    |    |    |    |    |        |          |                                     |
| MX123 CONN ASSY 73 CKT BLK OPT0 KEY A/29 | 345664673            | C-HSG-A0          | G-CAP-0-P   | TPA-A0 | RS          | LS         | MAL               | CPA | MSEAL    | RSEAL     | 72   | 71 | 70 | 69 | 68 | -  | -  | 65 | 64 | 63 | 62 | 61 | 60 | 59 | 58 | 57 | 56 | 55 | 54     | 53       |                                     |
|  |                      |                   |             |        |             |            |                   |     |          |           | 52   | 51 | 50 | 49 | 48 | -  | 46 | 45 | 44 | 43 | 42 | -  | 40 | 39 | 38 | 37 | 36 | 35 | 34     | 33       |                                     |
|  |                      |                   |             |        |             |            |                   |     |          |           | -  |    |    |    |    |    |    |    |    |    |    |    |    |    |    |    |    |    |        |          |                                     |
| MX123 CONN ASSY 73 CKT GRY OPT9 KEY B/56 | 345664683            | C-HSG-B9          | G-CAP-9-P   | TPA-B9 | RS          | LS         | MAL               | CPA | MSEAL    | RSEAL     | -  | -  | -  | -  | -  | -  | -  | -  | -  | 63 | -  | -  | -  | -  | -  | -  | -  | -  | 53     |          |                                     |
|  |                      |                   |             |        |             |            |                   |     |          |           | -  | -  | -  | -  | 48 | 47 | -  | 45 | -  | 43 | 42 | -  | -  | 39 | -  | -  | -  | 35 | 34     | 33       |                                     |
|  |                      |                   |             |        |             |            |                   |     |          |           | -  |    |    |    |    |    |    |    |    |    |    |    |    |    |    |    |    |    |        |          |                                     |

| ASSEMBLY DESCRIPTION                     | ASSEMBLY PART NUMBER | CONNECTOR HOUSING | GROMMET CAP | TPA    | RIGHT SLIDE | LEFT SLIDE | MATE ASSIST LEVER | CPA | MAT SEAL | RING SEAL | BLOCKED TERMINALS  |    |    |    |    |    |    |    |    |    |    |    |    |    |    |    |    |    |    |    | STATUS   | COMMENTS | INTEGRAL COMPONENTS SOLD SEPARATELY |           |  |           |
|--|----------------------|-------------------|-------------|--------|-------------|------------|-------------------|-----|----------|-----------|--|----|----|----|----|----|----|----|----|----|----|----|----|----|----|----|----|----|----|----|----------|----------|-------------------------------------|-----------|--|-----------|
|  |                      |                   |             |        |             |            |                   |     |          |           | CAVITY WITH A NUMBER INDICATES BLOCKED TERMINAL POSITION |    |    |    |    |    |    |    |    |    |    |    |    |    |    |    |    |    |    |    |          |          | DRESS COVER                         |           |  |           |
|  |                      |                   |             |        |             |            |                   |     |          |           | CAVITY WITHOUT A NUMBER INDICATES OPEN TERMINAL POSITION |    |    |    |    |    |    |    |    |    |    |    |    |    |    |    |    |    |    |    |          |          |                                     |           |  |           |
| MX123 CONN ASSY 73 CKT GRY OPT0 KEY B/53 | 345664693            | C-HSG-B0          | G-CAP-0-P   | TPA-B0 | RS          | LS         | MAL               | CPA | MSEAL    | RSEAL     | -  | -  | -  | -  | -  | -  | -  | -  | -  | -  | 64 | 63 | 62 | -  | -  | 59 | 58 | -  | -  | -  | -        | -        | 53                                  | SALEABLE  |  | 345650003 |
|  |                      |                   |             |        |             |            |                   |     |          |           | -  | -  | -  | -  | -  | 47 | -  | 45 | -  | 43 | 42 | -  | -  | 39 | -  | -  | -  | 35 | 34 | 33 |          |          |                                     |           |  |           |
|  |                      |                   |             |        |             |            |                   |     |          |           | -  | -  | -  | -  | -  | -  | -  | -  | -  | -  | -  | 26 | 25 | -  | 23 | 22 | -  | -  | -  | -  | -        |          |                                     |           |  |           |
|  |                      |                   |             |        |             |            |                   |     |          |           | -  | -  | -  | -  | -  | -  | -  | -  | -  | -  | -  | -  | -  | -  | -  | -  | -  | -  | 3  | -  | 1        |          |                                     |           |  |           |
| MX123 CONN ASSY 73 CKT GRY OPT0 KEY B/48 | 345664703            | C-HSG-B0          | G-CAP-0-P   | TPA-B0 | RS          | LS         | MAL               | CPA | MSEAL    | RSEAL     | 72   | 71 | 70 | 69 | 68 | -  | -  | -  | -  | -  | 63 | 62 | 61 | 60 | -  | -  | -  | 56 | -  | 54 | -        | SALEABLE |                                     | 345650003 |  |           |
|  |                      |                   |             |        |             |            |                   |     |          |           | 52   | 51 | 50 | -  | -  | -  | 46 | 45 | -  | 43 | 42 | 41 | 40 | -  | -  | -  | 36 | -  | 34 | -  |          |          |                                     |           |  |           |
|  |                      |                   |             |        |             |            |                   |     |          |           | -  | -  | -  | -  | 32 | 31 | 30 | -  | 28 | 27 | 26 | 25 | 24 | -  | -  | -  | 20 | 19 | 18 | 17 |          |          |                                     |           |  |           |
|  |                      |                   |             |        |             |            |                   |     |          |           | -  | -  | -  | -  | 16 | 15 | 14 | 13 | -  | 11 | 10 | -  | 8  | -  | 6  | 5  | 4  | 3  | 2  | 1  |          |          |                                     |           |  |           |
| MX123 CONN ASSY 73 CKT BLK OPT0 KEY A/37 | 345664713            | C-HSG-A0          | G-CAP-0-P   | TPA-A0 | RS          | LS         | MAL               | CPA | MSEAL    | RSEAL     | -  | -  | -  | -  | 68 | -  | 66 | 65 | -  | -  | 62 | 61 | -  | -  | 58 | 57 | -  | -  | -  | -  | SALEABLE |          | 345650003                           |           |  |           |
|  |                      |                   |             |        |             |            |                   |     |          |           | -  | -  | 50 | -  | 48 | -  | 46 | -  | -  | -  | -  | -  | 40 | 39 | 38 | 37 | -  | 35 | -  | 33 |          |          |                                     |           |  |           |
|  |                      |                   |             |        |             |            |                   |     |          |           | -  | -  | -  | -  | -  | 31 | -  | 29 | -  | 27 | -  | 25 | 24 | -  | 22 | 21 | 20 | -  | -  | 17 |          |          |                                     |           |  |           |
|  |                      |                   |             |        |             |            |                   |     |          |           | -  | -  | -  | -  | -  | -  | 14 | 13 | -  | 11 | -  | 9  | 8  | 7  | 6  | 5  | 4  | -  | 2  | 1  |          |          |                                     |           |  |           |
| MX123 CONN ASSY 73 CKT BLK OPT0 KEY A/36 | 345664723            | C-HSG-A0          | G-CAP-0-P   | TPA-A0 | RS          | LS         | MAL               | CPA | MSEAL    | RSEAL     | -  | -  | -  | -  | 68 | 67 | 66 | 65 | -  | -  | 62 | 61 | -  | -  | -  | 57 | -  | -  | -  | -  | SALEABLE |          | 345650003                           |           |  |           |
|  |                      |                   |             |        |             |            |                   |     |          |           | -  | -  | 50 | -  | 48 | -  | 46 | -  | -  | -  | -  | -  | 40 | 39 | 38 | 37 | -  | 35 | -  | 33 |          |          |                                     |           |  |           |
|  |                      |                   |             |        |             |            |                   |     |          |           | -  | -  | -  | -  | -  | 31 | -  | 29 | -  | 27 | -  | 25 | 24 | 23 | 22 | 21 | 20 | -  | -  | 17 |          |          |                                     |           |  |           |
|  |                      |                   |             |        |             |            |                   |     |          |           | -  | -  | -  | -  | -  | -  | 14 | 13 | -  | 11 | -  | 9  | 8  | 7  | 6  | 5  | 4  | -  | 2  | 1  |          |          |                                     |           |  |           |
| MX123 CONN ASSY 73 CKT BLK OPT0 KEY A/39 | 345664733            | C-HSG-A0          | G-CAP-0-P   | TPA-A0 | RS          | LS         | MAL               | CPA | MSEAL    | RSEAL     | -  | -  | -  | -  | 68 | 67 | 66 | 65 | -  | -  | 62 | 61 | -  | -  | -  | 57 | -  | -  | -  | -  | SALEABLE |          | 345650003                           |           |  |           |
|  |                      |                   |             |        |             |            |                   |     |          |           | -  | -  | 50 | -  | 48 | -  | 46 | -  | -  | -  | -  | -  | 40 | 39 | 38 | 37 | -  | 35 | -  | 33 |          |          |                                     |           |  |           |
|  |                      |                   |             |        |             |            |                   |     |          |           | -  | -  | -  | -  | -  | 31 | -  | 29 | -  | 27 | -  | 25 | 24 | 23 | 22 | -  | 20 | -  | -  | 17 |          |          |                                     |           |  |           |
|  |                      |                   |             |        |             |            |                   |     |          |           | -  | -  | -  | -  | -  | -  | 14 | 13 | -  | 11 | -  | 9  | -  | 7  | 6  | -  | 4  | -  | 2  | 1  |          |          |                                     |           |  |           |
| MX123 CONN ASSY 73 CKT BLK OPT9 KEY A/59 | 345664743            | C-HSG-A9          | G-CAP-9-P   | TPA-A9 | RS          | LS         | MAL               | CPA | MSEAL    | RSEAL     | -  | -  | -  | -  | 68 | -  | 66 | -  | -  | -  | -  | -  | -  | -  | -  | -  | -  | -  | -  | -  | SALEABLE |          | 345650003                           |           |  |           |
|  |                      |                   |             |        |             |            |                   |     |          |           | -  | -  | -  | -  | -  | -  | 46 | -  | -  | -  | -  | -  | -  | -  | 38 | -  | -  | 35 | -  | 33 |          |          |                                     |           |  |           |
|  |                      |                   |             |        |             |            |                   |     |          |           | -  | -  | -  | -  | -  | 31 | -  | -  | -  | -  | -  | 25 | -  | -  | 22 | -  | 20 | -  | -  | -  |          |          |                                     |           |  |           |
|  |                      |                   |             |        |             |            |                   |     |          |           | -  | -  | -  | -  | -  | -  | -  | -  | -  | -  | -  | 9  | -  | 7  | 6  | -  | 4  | -  | -  | -  |          |          |                                     |           |  |           |
| MX123 CONN ASSY 73 CKT GRY OPT0 KEY B/20 | 345664753            | C-HSG-B0          | G-CAP-0-P   | TPA-B0 | RS          | LS         | MAL               | CPA | MSEAL    | RSEAL     | 72   | 71 | 70 | 69 | -  | -  | 66 | 65 | -  | 63 | 62 | 61 | 60 | 59 | -  | 57 | 56 | 55 | 54 | 53 | SALEABLE |          | 345650003                           |           |  |           |
|  |                      |                   |             |        |             |            |                   |     |          |           | 52   | 51 | 50 | 49 | 48 | 47 | -  | -  | 44 | 43 | 42 | 41 | 40 | 39 | -  | 37 | 36 | 35 | 34 | 33 |          |          |                                     |           |  |           |
|  |                      |                   |             |        |             |            |                   |     |          |           | -  | -  | -  | -  | -  | 31 | -  | -  | -  | -  | -  | 26 | 25 | 24 | 23 | -  | 21 | 20 | 19 | 18 | -        |          |                                     |           |  |           |
|  |                      |                   |             |        |             |            |                   |     |          |           | -  | -  | -  | -  | 16 | -  | 14 | -  | 12 | 11 | -  | 9  | 8  | 7  | -  | 5  | 4  | 3  | 2  | -  |          |          |                                     |           |  |           |
| MX123 CONN ASSY 73 CKT GRY OPT0 KEY B/16 | 345664763            | C-HSG-B0          | G-CAP-0-P   | TPA-B0 | RS          | LS         | MAL               | CPA | MSEAL    | RSEAL     | 72   | 71 | 70 | 69 | -  | -  | 66 | 65 | -  | 63 | 62 | 61 | 60 | 59 | 58 | 57 | 56 | 55 | 54 | 53 | SALEABLE |          | 345650003                           |           |  |           |
|  |                      |                   |             |        |             |            |                   |     |          |           | 52   | 51 | 50 | 49 | 48 | 47 | -  | -  | 44 | 43 | 42 | 41 | 40 | 39 | 38 | 37 | 36 | 35 | 34 | 33 |          |          |                                     |           |  |           |
|  |                      |                   |             |        |             |            |                   |     |          |           | -  | -  | -  | -  | -  | 31 | -  | -  | -  | -  | -  | 26 | 25 | 24 | 23 | 22 | 21 | 20 | 19 | 18 | -        |          |                                     |           |  |           |
|  |                      |                   |             |        |             |            |                   |     |          |           | -  | -  | -  | -  | 16 | -  | 14 | -  | 12 | 11 | -  | 9  | 8  | 7  | -  | 5  | 4  | 3  | 2  | 1  |          |          |                                     |           |  |           |
| MX123 CONN ASSY 73 CKT GRY OPT0 KEY B/25 | 345664773            | C-HSG-B0          | G-CAP-0-P   | TPA-B0 | RS          | LS         | MAL               | CPA | MSEAL    | RSEAL     | 72   | 71 | 70 | 69 | -  | -  | 66 | 65 | -  | 63 | 62 | 61 | 60 | -  | -  | 57 | 56 | 55 | -  | 53 | SALEABLE |          | 345650003                           |           |  |           |
|  |                      |                   |             |        |             |            |                   |     |          |           | 52   | 51 | 50 | 49 | 48 | 47 | -  | -  | 44 | 43 | 42 | 41 | 40 | -  | -  | 37 | 36 | 35 | 34 | 33 |          |          |                                     |           |  |           |
|  |                      |                   |             |        |             |            |                   |     |          |           | -  | -  | -  | -  | -  | 31 | -  | -  | -  | -  | -  | 26 | 25 | 24 | -  | 21 | 20 | 19 | 18 | -  |          |          |                                     |           |  |           |
|  |                      |                   |             |        |             |            |                   |     |          |           | -  | -  | -  | -  | 16 | -  | 14 | -  | 12 | 11 | -  | 9  | -  | 7  | -  | 5  | 4  | 3  | 2  | -  |          |          |                                     |           |  |           |
| MX123 CONN ASSY 73 CKT GRY OPT0 KEY B/25 | 345664783            | C-HSG-B0          | G-CAP-0-P   | TPA-B0 | RS          | LS         | MAL               | CPA | MSEAL    | RSEAL     | 72   | 71 | 70 | 69 | -  | -  | 66 | 65 | -  | -  | 62 | 61 | 60 | 59 | -  | 57 | 56 | -  | 54 | 53 | SALEABLE |          | 345650003                           |           |  |           |
|  |                      |                   |             |        |             |            |                   |     |          |           | 52   | 51 | 50 | 49 | 48 | 47 | -  | -  | 44 | -  | 42 | 41 | 40 | 39 | -  | 37 | 36 | -  | 34 | 33 |          |          |                                     |           |  |           |
|  |                      |                   |             |        |             |            |                   |     |          |           | -  | -  | -  | -  | -  | 31 | -  | -  | -  | -  | -  | 26 | 25 | 24 | 23 | -  | 21 | 20 | -  | 18 | -        |          |                                     |           |  |           |
|  |                      |                   |             |        |             |            |                   |     |          |           | -  | -  | -  | -  | 16 | -  | 14 | -  | 12 | 11 | -  | 9  | 8  | 7  | -  | 5  | 4  | 3  | 2  | -  |          |          |                                     |           |  |           |
| MX123 CONN ASSY 73 CKT GRY OPT0 KEY B/21 | 345664793            | C-HSG-B0          | G-CAP-0-P   | TPA-B0 | RS          | LS         | MAL               | CPA | MSEAL    | RSEAL     | 72   | 71 | 70 | 69 | -  | -  | 66 | 65 | -  | -  | 62 | 61 | 60 | 59 | -  | 57 | 56 | 55 | 54 | 53 | SALEABLE |          | 345650003                           |           |  |           |
|  |                      |                   |             |        |             |            |                   |     |          |           | 52   | 51 | 50 | 49 | 48 | 47 | -  | -  | 44 | -  | 42 | 41 | 40 | 39 | -  | 37 | 36 | 35 | 34 | 33 |          |          |                                     |           |  |           |
|  |                      |                   |             |        |             |            |                   |     |          |           | -  | -  | -  | -  | -  | 31 | -  | -  | -  | -  | -  | 26 | 25 | 24 | 23 | -  | 21 | 20 | 19 | 18 | -        |          |                                     |           |  |           |
|  |                      |                   |             |        |             |            |                   |     |          |           | -  | -  | -  | -  | 16 | -  | 14 | -  | 12 | 11 | -  | 9  | 8  | 7  | -  | 5  | 4  | 3  | 2  | 1  |          |          |                                     |           |  |           |
| MX123 CONN ASSY 73 CKT BLK OPT0 KEY A/38 | 345664803            | C-HSG-A0          | G-CAP-0-P   | TPA-A0 | RS          | LS         | MAL               | CPA | MSEAL    | RSEAL     | -  | -  | 70 | -  | -  | -  | -  | 65 | -  | -  | -  | -  | 60 | -  | 58 | 57 | 56 | 55 | 54 | -  | SALEABLE |          | 345650003                           |           |  |           |
|  |                      |                   |             |        |             |            |                   |     |          |           | 52   | 51 | 50 | 49 | -  | 47 | 46 | 45 | -  | 43 | -  | -  | 40 | -  | 38 | 37 | 36 | -  | 34 | -  |          |          |                                     |           |  |           |
|  |                      |                   |             |        |             |            |                   |     |          |           | -  | -  | -  | -  | -  | 31 | 30 | -  | 28 | -  | 26 | -  | 24 | -  | 22 | 21 | 20 | 19 | 18 | -  |          |          |                                     |           |  |           |
|  |                      |                   |             |        |             |            |                   |     |          |           | -  | -  | -  | -  | 16 | 15 | 14 | -  | -  | -  | 10 | -  | -  | 7  | 6  | -  | -  | -  | -  | -  |          |          |                                     |           |  |           |

| ASSEMBLY DESCRIPTION                     | ASSEMBLY PART NUMBER | CONNECTOR HOUSING | GROMMET CAP | TPA    | RIGHT SLIDE | LEFT SLIDE | MATE ASSIST LEVER | CPA | MAT SEAL | RING SEAL | BLOCKED TERMINALS  |    |    |    |    |    |    |    |    |    |    |    |    |    |    |    |    |    |    |    | STATUS | COMMENTS | INTEGRAL COMPONENTS SOLD SEPARATELY |
|--|----------------------|-------------------|-------------|--------|-------------|------------|-------------------|-----|----------|-----------|--|----|----|----|----|----|----|----|----|----|----|----|----|----|----|----|----|----|----|----|--------|----------|-------------------------------------|
|  |                      |                   |             |        |             |            |                   |     |          |           | CAVITY WITH A NUMBER INDICATES BLOCKED TERMINAL POSITION |    |    |    |    |    |    |    |    |    |    |    |    |    |    |    |    |    |    |    |        |          | DRESS COVER                         |
|  |                      |                   |             |        |             |            |                   |     |          |           | CAVITY WITHOUT A NUMBER INDICATES OPEN TERMINAL POSITION |    |    |    |    |    |    |    |    |    |    |    |    |    |    |    |    |    |    |    |        |          |                                     |
| MX123 CONN ASSY 73 CKT GRY OPT9 KEY B/26 | 345664813            | C-HSG-B9          | G-CAP-9-P   | TPA-B9 | RS          | LS         | MAL               | CPA | MSEAL    | RSEAL     | 72   | 71 | 70 | 69 | -  | -  | 66 | 65 | -  | 63 | 62 | 61 | 60 | -  | -  | 57 | 56 | 55 | -  | 53 |        |          |                                     |
|  |                      |                   |             |        |             |            |                   |     |          |           | 52   | 51 | 50 | 49 | 48 | 47 | -  | -  | 44 | 43 | 42 | 41 | 40 | -  | -  | 37 | 36 | 35 | 34 | 33 |        |          |                                     |
|  |                      |                   |             |        |             |            |                   |     |          |           |  |    |    |    | -  | 31 | -  | -  | -  | 26 | 25 | 24 | -  | -  | 21 | 20 | 19 | 18 | -  |    |        |          |                                     |
|  |                      |                   |             |        |             |            |                   |     |          |           |  |    |    |    | 16 | -  | 14 | -  | 12 | 11 | -  | -  | -  | 7  | -  | 5  | 4  | 3  | 2  | -  |        |          |                                     |
| MX123 CONN ASSY 73 CKT BLU OPT0 KEY C/46 | 345664823            | C-HSG-C0          | G-CAP-0-P   | TPA-C0 | RS          | LS         | MAL               | CPA | MSEAL    | RSEAL     | 72   | 71 | 70 | 69 | -  | -  | -  | -  | -  | 63 | 62 | 61 | 60 | -  | -  | -  | 56 | -  | -  | -  |        |          |                                     |
|  |                      |                   |             |        |             |            |                   |     |          |           | 52   | -  | -  | -  | -  | 47 | -  | -  | 44 | -  | -  | -  | -  | -  | -  | 36 | -  | 34 | -  |    |        |          |                                     |
|  |                      |                   |             |        |             |            |                   |     |          |           |  |    |    |    | -  | -  | -  | 29 | 28 | 27 | -  | 25 | -  | -  | 21 | -  | 19 | 18 | 17 |    |        |          |                                     |
|  |                      |                   |             |        |             |            |                   |     |          |           |  |    |    |    | -  | 15 | 14 | -  | 12 | 11 | -  | -  | -  | -  | -  | -  | -  | -  | -  | 1  |        |          |                                     |
| MX123 CONN ASSY 73 CKT BLU OPT0 KEY C/41 | 345664833            | C-HSG-C0          | G-CAP-0-P   | TPA-C0 | RS          | LS         | MAL               | CPA | MSEAL    | RSEAL     | -  | 71 | -  | 69 | -  | -  | -  | 65 | 64 | -  | -  | 61 | 60 | -  | 58 | -  | 56 | 55 | 54 | -  |        |          |                                     |
|  |                      |                   |             |        |             |            |                   |     |          |           | -  | -  | 50 | 49 | -  | -  | -  | 45 | -  | 43 | -  | 41 | -  | -  | 38 | -  | -  | 35 | -  | -  |        |          |                                     |
|  |                      |                   |             |        |             |            |                   |     |          |           |  |    |    |    | -  | 31 | -  | 29 | 28 | -  | -  | -  | -  | 23 | -  | -  | 20 | 19 | 18 | 17 |        |          |                                     |
|  |                      |                   |             |        |             |            |                   |     |          |           |  |    |    |    | 16 | -  | -  | 13 | 12 | 11 | -  | -  | -  | 7  | -  | -  | -  | 3  | -  | 1  |        |          |                                     |
| MX123 CONN ASSY 73 CKT BLU OPT0 KEY C/42 | 345664843            | C-HSG-C0          | G-CAP-0-P   | TPA-C0 | RS          | LS         | MAL               | CPA | MSEAL    | RSEAL     | -  | 71 | -  | 69 | -  | -  | -  | 65 | 64 | -  | -  | 61 | 60 | -  | 58 | -  | 56 | 55 | 54 | -  |        |          |                                     |
|  |                      |                   |             |        |             |            |                   |     |          |           | -  | -  | 50 | 49 | -  | -  | -  | 45 | -  | 43 | -  | 41 | -  | -  | -  | -  | 35 | -  | -  |    |        |          |                                     |
|  |                      |                   |             |        |             |            |                   |     |          |           |  |    |    |    | -  | 31 | -  | 29 | 28 | -  | -  | -  | -  | 23 | -  | -  | 20 | 19 | 18 | 17 |        |          |                                     |
|  |                      |                   |             |        |             |            |                   |     |          |           |  |    |    |    | 16 | -  | -  | 13 | 12 | 11 | -  | -  | -  | 7  | -  | -  | -  | 3  | -  | 1  |        |          |                                     |
| MX123 CONN ASSY 73 CKT BLU OPT0 KEY C/45 | 345664853            | C-HSG-C0          | G-CAP-0-P   | TPA-C0 | RS          | LS         | MAL               | CPA | MSEAL    | RSEAL     | -  | 71 | -  | 69 | -  | 67 | -  | 65 | 64 | -  | -  | 61 | 60 | -  | 58 | -  | -  | -  | 54 | -  |        |          |                                     |
|  |                      |                   |             |        |             |            |                   |     |          |           | -  | -  | 50 | 49 | -  | -  | -  | 45 | -  | 43 | -  | 41 | -  | -  | 38 | -  | -  | 35 | -  | -  |        |          |                                     |
|  |                      |                   |             |        |             |            |                   |     |          |           |  |    |    |    | -  | 31 | -  | 29 | 28 | -  | -  | -  | -  | 23 | -  | -  | 20 | -  | -  | 17 |        |          |                                     |
|  |                      |                   |             |        |             |            |                   |     |          |           |  |    |    |    | 16 | -  | -  | 13 | 12 | 11 | -  | -  | -  | 7  | -  | -  | -  | -  | -  | 1  |        |          |                                     |
| MX123 CONN ASSY 73 CKT BLU OPT0 KEY C/41 | 345664863            | C-HSG-C0          | G-CAP-0-P   | TPA-C0 | RS          | LS         | MAL               | CPA | MSEAL    | RSEAL     | -  | 71 | -  | 69 | -  | 67 | -  | 65 | 64 | -  | -  | 61 | 60 | -  | 58 | -  | 56 | 55 | 54 | -  |        |          |                                     |
|  |                      |                   |             |        |             |            |                   |     |          |           | -  | -  | 50 | 49 | -  | -  | -  | 45 | -  | 43 | -  | 41 | -  | -  | -  | -  | 35 | -  | -  |    |        |          |                                     |
|  |                      |                   |             |        |             |            |                   |     |          |           |  |    |    |    | -  | 31 | -  | 29 | 28 | -  | -  | -  | -  | 23 | -  | -  | 20 | 19 | 18 | 17 |        |          |                                     |
|  |                      |                   |             |        |             |            |                   |     |          |           |  |    |    |    | 16 | -  | -  | 13 | 12 | 11 | -  | -  | -  | 7  | -  | -  | -  | 3  | -  | 1  |        |          |                                     |
| MX123 CONN ASSY 73 CKT BLU OPT0 KEY C/40 | 345664873            | C-HSG-C0          | G-CAP-0-P   | TPA-C0 | RS          | LS         | MAL               | CPA | MSEAL    | RSEAL     | -  | 71 | -  | 69 | -  | 67 | -  | 65 | 64 | -  | -  | 61 | 60 | -  | 58 | -  | 56 | 55 | 54 | -  |        |          |                                     |
|  |                      |                   |             |        |             |            |                   |     |          |           | -  | -  | 50 | 49 | -  | -  | -  | 45 | -  | 43 | -  | 41 | -  | -  | 38 | -  | -  | 35 | -  | -  |        |          |                                     |
|  |                      |                   |             |        |             |            |                   |     |          |           |  |    |    |    | -  | 31 | -  | 29 | 28 | -  | -  | -  | -  | 23 | -  | -  | 20 | 19 | 18 | 17 |        |          |                                     |
|  |                      |                   |             |        |             |            |                   |     |          |           |  |    |    |    | 16 | -  | -  | 13 | 12 | 11 | -  | -  | -  | 7  | -  | -  | -  | 3  | -  | 1  |        |          |                                     |
| MX123 CONN ASSY 73 CKT BLK OPT9 KEY A/39 | 345664883            | C-HSG-A9          | G-CAP-9-P   | TPA-A9 | RS          | LS         | MAL               | CPA | MSEAL    | RSEAL     | -  | 71 | 70 | -  | 68 | -  | 66 | -  | 64 | -  | 62 | 61 | -  | 59 | 58 | -  | -  | 55 | 54 | -  |        |          |                                     |
|  |                      |                   |             |        |             |            |                   |     |          |           | 52   | 51 | 50 | -  | 48 | -  | -  | 45 | -  | -  | 42 | 41 | -  | 39 | 38 | -  | -  | -  | 34 | -  |        |          |                                     |
|  |                      |                   |             |        |             |            |                   |     |          |           |  |    |    |    | 32 | -  | -  | -  | -  | 27 | 26 | 25 | -  | 23 | 22 | -  | -  | 19 | 18 | -  |        |          |                                     |
|  |                      |                   |             |        |             |            |                   |     |          |           |  |    |    |    | -  | -  | -  | -  | 12 | -  | -  | 9  | 8  | 7  | 6  | -  | -  | -  | -  | -  |        |          |                                     |
| MX123 CONN ASSY 73 CKT GRY OPT9 KEY B/24 | 345664893            | C-HSG-B9          | G-CAP-9-P   | TPA-B9 | RS          | LS         | MAL               | CPA | MSEAL    | RSEAL     | 72   | 71 | 70 | 69 | -  | -  | 66 | 65 | -  | -  | 62 | 61 | 60 | 59 | -  | -  | 56 | -  | 54 | 53 |        |          |                                     |
|  |                      |                   |             |        |             |            |                   |     |          |           | 52   | 51 | 50 | 49 | 48 | 47 | -  | -  | 44 | -  | 42 | 41 | 40 | 39 | -  | 37 | 36 | -  | 34 | 33 |        |          |                                     |
|  |                      |                   |             |        |             |            |                   |     |          |           |  |    |    |    | -  | 31 | -  | -  | -  | 26 | 25 | 24 | 23 | -  | 21 | 20 | -  | 18 | -  |    |        |          |                                     |
|  |                      |                   |             |        |             |            |                   |     |          |           |  |    |    |    | 16 | -  | 14 | -  | 12 | 11 | -  | 9  | 8  | 7  | 6  | 5  | 4  | 3  | 2  | -  |        |          |                                     |
| MX123 CONN ASSY 73 CKT BLK OPT0 KEY A/21 | 345664903            | C-HSG-A0          | G-CAP-0-P   | TPA-A0 | RS          | LS         | MAL               | CPA | MSEAL    | RSEAL     | -  | -  | -  | -  | -  | 67 | -  | -  | -  | -  | -  | 60 | -  | -  | -  | -  | -  | 54 | 53 |    |        |          |                                     |
|  |                      |                   |             |        |             |            |                   |     |          |           | -  | -  | -  | -  | 48 | -  | 46 | 45 | -  | -  | 42 | -  | 40 | 39 | -  | -  | -  | -  | -  | -  |        |          |                                     |
|  |                      |                   |             |        |             |            |                   |     |          |           |  |    |    |    | -  | -  | -  | -  | -  | 26 | 25 | -  | -  | 22 | 21 | -  | -  | -  | -  | -  |        |          |                                     |
|  |                      |                   |             |        |             |            |                   |     |          |           |  |    |    |    | -  | -  | -  | -  | -  | -  | -  | 8  | 7  | 6  | 5  | 4  | 3  | -  | -  |    |        |          |                                     |
| MX123 CONN ASSY 73 CKT GRY OPT9 KEY B/27 | 345664913            | C-HSG-B9          | G-CAP-9-P   | TPA-B9 | RS          | LS         | MAL               | CPA | MSEAL    | RSEAL     | 72   | 71 | 70 | 69 | -  | -  | 66 | 65 | -  | -  | 62 | 61 | 60 | 59 | -  | -  | 56 | -  | 54 | -  |        |          |                                     |
|  |                      |                   |             |        |             |            |                   |     |          |           | 52   | 51 | 50 | 49 | 48 | 47 | -  | -  | 44 | -  | 42 | 41 | 40 | 39 | -  | 37 | 36 | -  | 34 | 33 |        |          |                                     |
|  |                      |                   |             |        |             |            |                   |     |          |           |  |    |    |    | -  | 31 | -  | -  | -  | 26 | 25 | 24 | 23 | -  | 21 | 20 | -  | 18 | -  |    |        |          |                                     |
|  |                      |                   |             |        |             |            |                   |     |          |           |  |    |    |    | 16 | 15 | 14 | 13 | -  | 11 | -  | 9  | 8  | 7  | 6  | 5  | 4  | 3  | 2  | -  |        |          |                                     |
| MX123 CONN ASSY 73 CKT BLK OPT9 KEY A/38 | 345664923            | C-HSG-A9          | G-CAP-9-P   | TPA-A9 | RS          | LS         | MAL               | CPA | MSEAL    | RSEAL     | -  | 71 | 70 | -  | 68 | -  | 66 | -  | 64 | -  | 62 | 61 | -  | 59 | 58 | -  | -  | 55 | 54 | -  |        |          |                                     |
|  |                      |                   |             |        |             |            |                   |     |          |           | 52   | 51 | 50 | -  | 48 | -  | 46 | 45 | -  | -  | 42 | 41 | -  | 39 | 38 | -  | -  | -  | 34 | -  |        |          |                                     |
|  |                      |                   |             |        |             |            |                   |     |          |           |  |    |    |    | 32 | -  | -  | -  | -  | 27 | 26 | 25 | -  | 23 | 22 | -  | -  | 19 | 18 | -  |        |          |                                     |
|  |                      |                   |             |        |             |            |                   |     |          |           |  |    |    |    | -  | -  | -  | -  | 12 | -  | -  | 9  | 8  | 7  | 6  | -  | -  | -  | -  | -  |        |          |                                     |









| ASSEMBLY DESCRIPTION                     | ASSEMBLY PART NUMBER | CONNECTOR HOUSING | GROMMET CAP | TPA    | RIGHT SLIDE | LEFT SLIDE | MATE ASSIST LEVER | CPA | MAT SEAL | RING SEAL | BLOCKED TERMINALS  |    |    |    |    |    |    |    |    |    |    |    |    |    |    |    |    |    | STATUS | COMMENTS | INTEGRAL COMPONENTS SOLD SEPARATELY |    |    |
|--|----------------------|-------------------|-------------|--------|-------------|------------|-------------------|-----|----------|-----------|--|----|----|----|----|----|----|----|----|----|----|----|----|----|----|----|----|----|--------|----------|-------------------------------------|----|----|
|  |                      |                   |             |        |             |            |                   |     |          |           | CAVITY WITH A NUMBER INDICATES BLOCKED TERMINAL POSITION |    |    |    |    |    |    |    |    |    |    |    |    |    |    |    |    |    |        |          | DRESS COVER                         |    |    |
|  |                      |                   |             |        |             |            |                   |     |          |           | CAVITY WITHOUT A NUMBER INDICATES OPEN TERMINAL POSITION |    |    |    |    |    |    |    |    |    |    |    |    |    |    |    |    |    |        |          |                                     |    |    |
| MX123 CONN ASSY 73 CKT BLU OPT0 KEY C/47 | 345665313            | C-HSG-C0          | G-CAP-0-P   | TPA-C0 | RS          | LS         | MAL               | CPA | MSEAL    | RSEAL     | -  | 71 | -  | 69 | -  | -  | -  | 65 | 64 | -  | -  | 61 | 60 | -  | 58 | -  | -  | -  | 54     | -        |                                     |    |    |
|  |                      |                   |             |        |             |            |                   |     |          |           | -  | -  | 50 | 49 | -  | -  | -  | 45 | -  | 43 | -  | 41 | -  | -  | -  | -  | -  | 35 | -      | -        |                                     |    |    |
|  |                      |                   |             |        |             |            |                   |     |          |           | -  |    |    |    |    |    |    |    |    |    |    |    |    |    |    |    |    |    | 16     | -        | -                                   | 13 | 12 |
| MX123 CONN ASSY 73 CKT BLK OPT0 KEY A/35 | 345665333            | C-HSG-A0          | G-CAP-0-P   | TPA-A0 | RS          | LS         | MAL               | CPA | MSEAL    | RSEAL     | -  | -  | -  | 69 | -  | -  | -  | -  | -  | -  | -  | 61 | -  | -  | 58 | 57 | -  | 55 | 54     | -        |                                     |    |    |
|  |                      |                   |             |        |             |            |                   |     |          |           | 52   | -  | 50 | -  | -  | -  | -  | -  | -  | -  | 42 | -  | -  | 39 | 38 | 37 | 36 | 35 | 34     | 33       |                                     |    |    |
|  |                      |                   |             |        |             |            |                   |     |          |           | -  |    |    |    |    |    |    |    |    |    |    |    |    |    |    |    |    |    | 32     | 31       | -                                   | -  | -  |
| MX123 CONN ASSY 73 CKT GRY OPT0 KEY B/24 | 345665343            | C-HSG-B0          | G-CAP-0-P   | TPA-B0 | RS          | LS         | MAL               | CPA | MSEAL    | RSEAL     | 72   | 71 | 70 | 69 | -  | -  | 66 | 65 | -  | 63 | 62 | 61 | 60 | -  | -  | 57 | 56 | 55 | -      | 53       |                                     |    |    |
|  |                      |                   |             |        |             |            |                   |     |          |           | 52   | 51 | 50 | 49 | 48 | 47 | -  | -  | 44 | 43 | 42 | 41 | 40 | -  | -  | 37 | 36 | 35 | 34     | 33       |                                     |    |    |
|  |                      |                   |             |        |             |            |                   |     |          |           | -  |    |    |    |    |    |    |    |    |    |    |    |    |    |    |    |    |    | 16     | 15       | 14                                  | 13 | -  |
| MX123 CONN ASSY 73 CKT GRY OPT9 KEY B/32 | 345665353            | C-HSG-B9          | G-CAP-9-P   | TPA-B9 | RS          | LS         | MAL               | CPA | MSEAL    | RSEAL     | 72   | 71 | 70 | 69 | -  | -  | 66 | 65 | -  | 63 | 62 | 61 | 60 | -  | -  | 57 | 56 | -  | -      | 53       |                                     |    |    |
|  |                      |                   |             |        |             |            |                   |     |          |           | 52   | 51 | 50 | 49 | 48 | 47 | -  | -  | -  | -  | 42 | 41 | 40 | -  | -  | 37 | 36 | -  | -      | 33       |                                     |    |    |
|  |                      |                   |             |        |             |            |                   |     |          |           | -  |    |    |    |    |    |    |    |    |    |    |    |    |    |    |    |    |    | 16     | -        | 14                                  | -  | -  |
| MX123 CONN ASSY 73 CKT BLU OPT0 KEY C/35 | 345665363            | C-HSG-C0          | G-CAP-0-P   | TPA-C0 | RS          | LS         | MAL               | CPA | MSEAL    | RSEAL     | -  | 71 | -  | 69 | -  | 67 | -  | 65 | 64 | -  | -  | 61 | 60 | -  | 58 | -  | 56 | 55 | 54     | -        |                                     |    |    |
|  |                      |                   |             |        |             |            |                   |     |          |           | -  | -  | 50 | 49 | -  | -  | -  | 45 | -  | 43 | -  | 41 | -  | -  | -  | 37 | 36 | 35 | -      | -        |                                     |    |    |
|  |                      |                   |             |        |             |            |                   |     |          |           | -  |    |    |    |    |    |    |    |    |    |    |    |    |    |    |    |    |    | 16     | -        | -                                   | 13 | 12 |
| MX123 CONN ASSY 73 CKT BLU OPT0 KEY C/32 | 345665373            | C-HSG-C0          | G-CAP-0-P   | TPA-C0 | RS          | LS         | MAL               | CPA | MSEAL    | RSEAL     | -  | 71 | -  | 69 | -  | 67 | -  | 65 | 64 | -  | -  | 61 | 60 | -  | 58 | -  | 56 | 55 | 54     | -        |                                     |    |    |
|  |                      |                   |             |        |             |            |                   |     |          |           | -  | -  | 50 | 49 | -  | -  | -  | 45 | -  | 43 | -  | 41 | -  | -  | 38 | 37 | 36 | 35 | -      | -        |                                     |    |    |
|  |                      |                   |             |        |             |            |                   |     |          |           | -  |    |    |    |    |    |    |    |    |    |    |    |    |    |    |    |    |    | 16     | -        | -                                   | 13 | 12 |
| MX123 CONN ASSY 73 CKT BLU OPT0 KEY C/39 | 345665383            | C-HSG-C0          | G-CAP-0-P   | TPA-C0 | RS          | LS         | MAL               | CPA | MSEAL    | RSEAL     | -  | 71 | -  | 69 | -  | 67 | -  | 65 | 64 | -  | -  | 61 | 60 | -  | 58 | -  | 56 | 55 | 54     | -        |                                     |    |    |
|  |                      |                   |             |        |             |            |                   |     |          |           | -  | -  | 50 | 49 | -  | -  | -  | 45 | -  | 43 | -  | 41 | -  | -  | 38 | -  | -  | 35 | -      | -        |                                     |    |    |
|  |                      |                   |             |        |             |            |                   |     |          |           | -  |    |    |    |    |    |    |    |    |    |    |    |    |    |    |    |    |    | 16     | -        | -                                   | 13 | 12 |
| MX123 CONN ASSY 73 CKT BLK OPT0 KEY A/30 | 345665393            | C-HSG-A0          | G-CAP-0-P   | TPA-A0 | RS          | LS         | MAL               | CPA | MSEAL    | RSEAL     | 72   | 71 | -  | -  | 68 | 67 | 66 | 65 | 64 | -  | 62 | 61 | 60 | 59 | 58 | 57 | -  | -  | -      | -        |                                     |    |    |
|  |                      |                   |             |        |             |            |                   |     |          |           | -  | -  | 50 | -  | 48 | 47 | 46 | 45 | -  | -  | -  | -  | 40 | 39 | 38 | 37 | -  | 35 | -      | 33       |                                     |    |    |
|  |                      |                   |             |        |             |            |                   |     |          |           | -  |    |    |    |    |    |    |    |    |    |    |    |    |    |    |    |    |    | 15     | 14       | 13                                  | -  | 11 |
| MX123 CONN ASSY 73 CKT GRY OPT0 KEY B/42 | 345665403            | C-HSG-B0          | G-CAP-0-P   | TPA-B0 | RS          | LS         | MAL               | CPA | MSEAL    | RSEAL     | 72   | 71 | 70 | 69 | 68 | 67 | 66 | -  | 64 | 63 | 62 | 61 | 60 | -  | -  | -  | -  | 54 | -      |          |                                     |    |    |
|  |                      |                   |             |        |             |            |                   |     |          |           | 52   | 51 | -  | -  | -  | 47 | -  | -  | 44 | 43 | 42 | 41 | 40 | -  | -  | -  | 36 | -  | -      | -        |                                     |    |    |
|  |                      |                   |             |        |             |            |                   |     |          |           | -  |    |    |    |    |    |    |    |    |    |    |    |    |    |    |    |    |    | 32     | 31       | 30                                  | -  | 28 |
| MX123 CONN ASSY 73 CKT BLK OPT0 KEY A/31 | 345665413            | C-HSG-A0          | G-CAP-0-P   | TPA-A0 | RS          | LS         | MAL               | CPA | MSEAL    | RSEAL     | 72   | 71 | -  | -  | 68 | 67 | 66 | 65 | 64 | -  | 62 | 61 | 60 | 59 | 58 | 57 | -  | -  | -      | -        |                                     |    |    |
|  |                      |                   |             |        |             |            |                   |     |          |           | -  | -  | 50 | -  | 48 | 47 | 46 | 45 | -  | -  | -  | -  | 40 | 39 | 38 | 37 | -  | 35 | -      | 33       |                                     |    |    |
|  |                      |                   |             |        |             |            |                   |     |          |           | -  |    |    |    |    |    |    |    |    |    |    |    |    |    |    |    |    |    | 15     | 14       | 13                                  | -  | 11 |
| MX123 CONN ASSY 73 CKT BLK OPT0 KEY A/27 | 345665423            | C-HSG-A0          | G-CAP-0-P   | TPA-A0 | RS          | LS         | MAL               | CPA | MSEAL    | RSEAL     | 72   | 71 | -  | -  | 68 | 67 | 66 | 65 | 64 | -  | 62 | 61 | 60 | 59 | -  | 57 | -  | -  | -      | -        |                                     |    |    |
|  |                      |                   |             |        |             |            |                   |     |          |           | -  | -  | 50 | -  | 48 | 47 | 46 | 45 | -  | -  | -  | -  | 40 | 39 | 38 | 37 | -  | 35 | -      | 33       |                                     |    |    |
|  |                      |                   |             |        |             |            |                   |     |          |           | -  |    |    |    |    |    |    |    |    |    |    |    |    |    |    |    |    |    | 15     | 14       | 13                                  | -  | 11 |
| MX123 CONN ASSY 73 CKT GRY OPT9 KEY B/22 | 345665433            | C-HSG-B9          | G-CAP-9-P   | TPA-B9 | RS          | LS         | MAL               | CPA | MSEAL    | RSEAL     | 72   | 71 | 70 | 69 | -  | -  | 66 | 65 | -  | 63 | 62 | 61 | 60 | -  | -  | 57 | 56 | 55 | -      | 53       |                                     |    |    |
|  |                      |                   |             |        |             |            |                   |     |          |           | 52   | 51 | 50 | 49 | 48 | 47 | -  | -  | 44 | 43 | 42 | 41 | 40 | -  | -  | 37 | 36 | 35 | 34     | 33       |                                     |    |    |
|  |                      |                   |             |        |             |            |                   |     |          |           | -  |    |    |    |    |    |    |    |    |    |    |    |    |    |    |    |    |    | 16     | 15       | 14                                  | 13 | 12 |



| ASSEMBLY DESCRIPTION                     | ASSEMBLY PART NUMBER | CONNECTOR HOUSING | GROMMET CAP | TPA    | RIGHT SLIDE | LEFT SLIDE | MATE ASSIST LEVER | CPA | MAT SEAL | RING SEAL | BLOCKED TERMINALS  |    |    |    |    |    |    |    |    |    |    |    |    |    |    |    |    |    |    |    | STATUS | COMMENTS | INTEGRAL COMPONENTS SOLD SEPARATELY |
|--|----------------------|-------------------|-------------|--------|-------------|------------|-------------------|-----|----------|-----------|--|----|----|----|----|----|----|----|----|----|----|----|----|----|----|----|----|----|----|----|--------|----------|-------------------------------------|
|  |                      |                   |             |        |             |            |                   |     |          |           | CAVITY WITH A NUMBER INDICATES BLOCKED TERMINAL POSITION |    |    |    |    |    |    |    |    |    |    |    |    |    |    |    |    |    |    |    |        |          | DRESS COVER                         |
|  |                      |                   |             |        |             |            |                   |     |          |           | CAVITY WITHOUT A NUMBER INDICATES OPEN TERMINAL POSITION |    |    |    |    |    |    |    |    |    |    |    |    |    |    |    |    |    |    |    |        |          |                                     |
| MX123 CONN ASSY 73 CKT GRY OPT9 KEY B/24 | 345665443            | C-HSG-B9          | G-CAP-9-P   | TPA-B9 | RS          | LS         | MAL               | CPA | MSEAL    | RSEAL     | 72   | 71 | 70 | 69 | -  | -  | 66 | 65 | -  | 63 | 62 | 61 | 60 | -  | -  | 57 | 56 | 55 | -  | 53 |        |          |                                     |
|  |                      |                   |             |        |             |            |                   |     |          |           | 52   | 51 | 50 | 49 | 48 | 47 | -  | -  | 44 | 43 | 42 | 41 | 40 | -  | -  | 37 | 36 | 35 | 34 | 33 |        |          |                                     |
|  |                      |                   |             |        |             |            |                   |     |          |           |  |    |    |    | -  | 31 | -  | -  | -  | -  | 26 | 25 | 24 | -  | -  | 21 | 20 | 19 | 18 | -  |        |          |                                     |
|  |                      |                   |             |        |             |            |                   |     |          |           |  |    |    |    | 16 | -  | 14 | -  | 12 | 11 | -  | 9  | 8  | 7  | -  | 5  | 4  | 3  | 2  | -  |        |          |                                     |
| MX123 CONN ASSY 73 CKT GRY OPT0 KEY B/24 | 345665453            | C-HSG-B0          | G-CAP-0-P   | TPA-B0 | RS          | LS         | MAL               | CPA | MSEAL    | RSEAL     | 72   | 71 | 70 | 69 | -  | -  | 66 | 65 | -  | 63 | 62 | 61 | 60 | -  | -  | 57 | 56 | 55 | -  | 53 |        |          |                                     |
|  |                      |                   |             |        |             |            |                   |     |          |           | 52   | 51 | 50 | 49 | 48 | 47 | -  | -  | 44 | 43 | 42 | 41 | 40 | -  | -  | 37 | 36 | 35 | 34 | 33 |        |          |                                     |
|  |                      |                   |             |        |             |            |                   |     |          |           |  |    |    |    | -  | 31 | -  | -  | -  | -  | 26 | 25 | 24 | -  | -  | 21 | 20 | 19 | 18 | -  |        |          |                                     |
|  |                      |                   |             |        |             |            |                   |     |          |           |  |    |    |    | 16 | -  | 14 | -  | 12 | 11 | -  | 9  | 8  | 7  | -  | 5  | 4  | 3  | 2  | -  |        |          |                                     |
| MX123 CONN ASSY 73 CKT BLK OPT0 KEY A/21 | 345665463            | C-HSG-A0          | G-CAP-0-P   | TPA-A0 | RS          | LS         | MAL               | CPA | MSEAL    | RSEAL     | -  | 71 | -  | 69 | 68 | 67 | 66 | 65 | 64 | -  | 62 | 61 | 60 | 59 | 58 | 57 | 56 | 55 | 54 | 53 |        |          |                                     |
|  |                      |                   |             |        |             |            |                   |     |          |           | -  | 51 | 50 | -  | 48 | 47 | 46 | 45 | 44 | 43 | 42 | -  | 40 | 39 | 38 | 37 | 36 | 35 | 34 | 33 |        |          |                                     |
|  |                      |                   |             |        |             |            |                   |     |          |           |  |    |    |    | 32 | -  | -  | 29 | -  | -  | -  | 25 | 24 | -  | 22 | 21 | -  | -  | 18 | 17 |        |          |                                     |
|  |                      |                   |             |        |             |            |                   |     |          |           |  |    |    |    | -  | -  | -  | 13 | -  | 11 | -  | 9  | 8  | 7  | -  | 5  | 4  | 3  | 2  | 1  |        |          |                                     |
| MX123 CONN ASSY 73 CKT BLK OPT0 KEY A/45 | 345665473            | C-HSG-A0          | G-CAP-0-P   | TPA-A0 | RS          | LS         | MAL               | CPA | MSEAL    | RSEAL     | -  | -  | -  | 69 | -  | -  | -  | -  | -  | -  | -  | 61 | -  | -  | 58 | 57 | -  | 55 | 54 | -  |        |          |                                     |
|  |                      |                   |             |        |             |            |                   |     |          |           | -  | -  | 50 | 49 | -  | -  | -  | -  | -  | -  | -  | -  | -  | 39 | 38 | 37 | 36 | 35 | 34 | 33 |        |          |                                     |
|  |                      |                   |             |        |             |            |                   |     |          |           |  |    |    |    | 32 | -  | -  | -  | -  | -  | -  | -  | -  | 22 | 21 | -  | -  | 18 | -  |    |        |          |                                     |
|  |                      |                   |             |        |             |            |                   |     |          |           |  |    |    |    | -  | -  | -  | 13 | -  | -  | -  | 9  | 8  | 7  | -  | 5  | 4  | 3  | 2  | 1  |        |          |                                     |
| MX123 CONN ASSY 73 CKT GRY OPT0 KEY B/39 | 345665483            | C-HSG-B0          | G-CAP-0-P   | TPA-B0 | RS          | LS         | MAL               | CPA | MSEAL    | RSEAL     | -  | 71 | -  | 69 | -  | 67 | -  | 65 | -  | -  | 62 | 61 | -  | -  | 58 | 57 | 56 | -  | -  | -  |        |          |                                     |
|  |                      |                   |             |        |             |            |                   |     |          |           | -  | 51 | -  | 49 | -  | 47 | -  | 45 | 44 | 43 | 42 | 41 | -  | -  | 38 | 37 | 36 | -  | -  | -  |        |          |                                     |
|  |                      |                   |             |        |             |            |                   |     |          |           |  |    |    |    | -  | -  | -  | -  | -  | -  | -  | -  | -  | 23 | 22 | 21 | -  | 19 | 18 | -  |        |          |                                     |
|  |                      |                   |             |        |             |            |                   |     |          |           |  |    |    |    | -  | 15 | 14 | 13 | 12 | 11 | -  | 9  | -  | 7  | 6  | -  | -  | 3  | -  | -  |        |          |                                     |
| MX123 CONN ASSY 73 CKT BLK OPT0 KEY A/37 | 345665493            | C-HSG-A0          | G-CAP-0-P   | TPA-A0 | RS          | LS         | MAL               | CPA | MSEAL    | RSEAL     | -  | 71 | -  | -  | 68 | 67 | 66 | 65 | 64 | -  | 62 | 61 | -  | -  | -  | -  | -  | -  | -  |    |        |          |                                     |
|  |                      |                   |             |        |             |            |                   |     |          |           | -  | -  | 50 | -  | 48 | 47 | 46 | 45 | -  | -  | -  | -  | 39 | 38 | -  | -  | 35 | -  | 33 |    |        |          |                                     |
|  |                      |                   |             |        |             |            |                   |     |          |           |  |    |    |    | -  | 31 | 30 | 29 | -  | 27 | -  | 25 | 24 | 23 | 22 | 21 | 20 | -  | -  | -  |        |          |                                     |
|  |                      |                   |             |        |             |            |                   |     |          |           |  |    |    |    | -  | -  | 14 | 13 | -  | 11 | -  | 9  | 8  | 7  | 6  | 5  | 4  | -  | -  | -  |        |          |                                     |
| MX123 CONN ASSY 73 CKT BLK OPT0 KEY A/30 | 345665503            | C-HSG-A0          | G-CAP-0-P   | TPA-A0 | RS          | LS         | MAL               | CPA | MSEAL    | RSEAL     | -  | -  | 70 | -  | -  | -  | -  | 65 | -  | -  | -  | 61 | -  | -  | 58 | 57 | 56 | 55 | 54 | 53 |        |          |                                     |
|  |                      |                   |             |        |             |            |                   |     |          |           | -  | 51 | 50 | -  | -  | 47 | -  | 45 | -  | -  | -  | 41 | -  | -  | 38 | 37 | 36 | -  | 34 | -  |        |          |                                     |
|  |                      |                   |             |        |             |            |                   |     |          |           |  |    |    |    | -  | 31 | 30 | -  | 28 | -  | -  | 25 | -  | -  | 22 | 21 | 20 | 19 | 18 | -  |        |          |                                     |
|  |                      |                   |             |        |             |            |                   |     |          |           |  |    |    |    | 16 | 15 | -  | -  | -  | -  | -  | -  | -  | -  | -  | -  | -  | -  | -  | -  |        |          |                                     |
| MX123 CONN ASSY 73 CKT GRY OPT9 KEY B/22 | 345665513            | C-HSG-B9          | G-CAP-9-P   | TPA-B9 | RS          | LS         | MAL               | CPA | MSEAL    | RSEAL     | 72   | 71 | 70 | 69 | -  | -  | 66 | 65 | -  | 63 | 62 | 61 | 60 | 59 | -  | 57 | 56 | -  | 54 | 53 |        |          |                                     |
|  |                      |                   |             |        |             |            |                   |     |          |           | 52   | 51 | 50 | 49 | 48 | 47 | -  | -  | 44 | 43 | 42 | 41 | 40 | 39 | -  | 37 | 36 | -  | 34 | 33 |        |          |                                     |
|  |                      |                   |             |        |             |            |                   |     |          |           |  |    |    |    | -  | 31 | -  | -  | -  | -  | 26 | 25 | 24 | 23 | -  | 21 | 20 | -  | 18 | -  |        |          |                                     |
|  |                      |                   |             |        |             |            |                   |     |          |           |  |    |    |    | 16 | 15 | 14 | 13 | 12 | 11 | -  | 9  | 8  | 7  | 6  | 5  | 4  | 3  | 2  | -  |        |          |                                     |
| MX123 CONN ASSY 73 CKT BLK OPT9 KEY A/42 | 345665523            | C-HSG-A9          | G-CAP-9-P   | TPA-A9 | RS          | LS         | MAL               | CPA | MSEAL    | RSEAL     | -  | 71 | 70 | -  | 68 | -  | -  | -  | 64 | -  | 62 | 61 | -  | 59 | 58 | -  | -  | 55 | 54 | -  |        |          |                                     |
|  |                      |                   |             |        |             |            |                   |     |          |           | 52   | 51 | 50 | -  | 48 | -  | 46 | 45 | -  | -  | -  | 41 | -  | 39 | 38 | -  | -  | -  | 34 | -  |        |          |                                     |
|  |                      |                   |             |        |             |            |                   |     |          |           |  |    |    |    | 32 | -  | -  | -  | -  | -  | 25 | -  | 23 | 22 | -  | -  | 19 | 18 | -  |    |        |          |                                     |
|  |                      |                   |             |        |             |            |                   |     |          |           |  |    |    |    | -  | -  | -  | -  | 12 | -  | -  | 9  | 8  | 7  | 6  | -  | -  | -  | -  | -  |        |          |                                     |
| MX123 CONN ASSY 73 CKT GRY OPT9 KEY B/24 | 345665533            | C-HSG-B9          | G-CAP-9-P   | TPA-B9 | RS          | LS         | MAL               | CPA | MSEAL    | RSEAL     | 72   | 71 | 70 | 69 | -  | -  | 66 | 65 | -  | 63 | 62 | 61 | 60 | -  | -  | 57 | 56 | 55 | -  | 53 |        |          |                                     |
|  |                      |                   |             |        |             |            |                   |     |          |           | 52   | 51 | 50 | 49 | 48 | 47 | -  | -  | 44 | 43 | 42 | 41 | 40 | -  | -  | 37 | 36 | 35 | 34 | 33 |        |          |                                     |
|  |                      |                   |             |        |             |            |                   |     |          |           |  |    |    |    | -  | 31 | -  | -  | -  | -  | 26 | 25 | 24 | -  | -  | 21 | 20 | 19 | 18 | -  |        |          |                                     |
|  |                      |                   |             |        |             |            |                   |     |          |           |  |    |    |    | 16 | 15 | 14 | 13 | 12 | 11 | -  | 9  | -  | 7  | -  | 5  | 4  | 3  | 2  | -  |        |          |                                     |
| MX123 CONN ASSY 73 CKT BLK OPT9 KEY A/24 | 345665543            | C-HSG-A9          | G-CAP-9-P   | TPA-A9 | RS          | LS         | MAL               | CPA | MSEAL    | RSEAL     | 72   | 71 | 70 | 69 | -  | -  | 66 | 65 | -  | 63 | 62 | 61 | 60 | -  | -  | 57 | 56 | 55 | -  | 53 |        |          |                                     |
|  |                      |                   |             |        |             |            |                   |     |          |           | 52   | 51 | 50 | 49 | 48 | 47 | -  | -  | 44 | 43 | 42 | 41 | 40 | -  | -  | 37 | 36 | 35 | 34 | 33 |        |          |                                     |
|  |                      |                   |             |        |             |            |                   |     |          |           |  |    |    |    | -  | 31 | -  | -  | -  | -  | 26 | 25 | 24 | -  | -  | 21 | 20 | 19 | 18 | -  |        |          |                                     |
|  |                      |                   |             |        |             |            |                   |     |          |           |  |    |    |    | 16 | 15 | 14 | 13 | -  | 11 | -  | 9  | -  | 7  | -  | 5  | 4  | 3  | 2  | -  |        |          |                                     |
| MX123 CONN ASSY 73 CKT GRY OPT9 KEY B/24 | 345665553            | C-HSG-B9          | G-CAP-9-P   | TPA-B9 | RS          | LS         | MAL               | CPA | MSEAL    | RSEAL     | 72   | 71 | 70 | 69 | -  | -  | 66 | 65 | -  | 63 | 62 | 61 | 60 | -  | -  | 57 | 56 | 55 | -  | 53 |        |          |                                     |
|  |                      |                   |             |        |             |            |                   |     |          |           | 52   | 51 | 50 | 49 | 48 | 47 | -  | -  | 44 | 43 | 42 | 41 | 40 | -  | -  | 37 | 36 | 35 | 34 | 33 |        |          |                                     |
|  |                      |                   |             |        |             |            |                   |     |          |           |  |    |    |    | -  | 31 | -  | -  | -  | -  | 26 | 25 | 24 | -  | -  | 21 | 20 | 19 | 18 | -  |        |          |                                     |
|  |                      |                   |             |        |             |            |                   |     |          |           |  |    |    |    | 16 | 15 | 14 | 13 | -  | 11 | -  | 9  | -  | 7  | -  | 5  | 4  | 3  | 2  | -  |        |          |                                     |



| ASSEMBLY DESCRIPTION                     | ASSEMBLY PART NUMBER | CONNECTOR HOUSING | GROMMET CAP | TPA    | RIGHT SLIDE | LEFT SLIDE | MATE ASSIST LEVER | CPA | MAT SEAL | RING SEAL | BLOCKED TERMINALS  |    |    |    |    |    |    |    |    |    |    |    |    |    |    |    |    |    |    |          | STATUS   | COMMENTS  | INTEGRAL COMPONENTS SOLD SEPARATELY |  |  |  |  |
|--|----------------------|-------------------|-------------|--------|-------------|------------|-------------------|-----|----------|-----------|--|----|----|----|----|----|----|----|----|----|----|----|----|----|----|----|----|----|----|----------|----------|-----------|-------------------------------------|--|--|--|--|
|  |                      |                   |             |        |             |            |                   |     |          |           | CAVITY WITH A NUMBER INDICATES BLOCKED TERMINAL POSITION |    |    |    |    |    |    |    |    |    |    |    |    |    |    |    |    |    |    |          |          |           | DRESS COVER                         |  |  |  |  |
|  |                      |                   |             |        |             |            |                   |     |          |           | CAVITY WITHOUT A NUMBER INDICATES OPEN TERMINAL POSITION |    |    |    |    |    |    |    |    |    |    |    |    |    |    |    |    |    |    |          |          |           |                                     |  |  |  |  |
| MX123 CONN ASSY 73 CKT GRY OPT0 KEY B/18 | 345665683            | C-HSG-B0          | G-CAP-0-P   | TPA-B0 | RS          | LS         | MAL               | CPA | MSEAL    | RSEAL     | -  | 71 | 70 | 69 | 68 | 67 | 66 | 65 | 64 | 63 | -  | -  | 60 | 59 | 58 | 57 | 56 | 55 | 54 | 53       | SALEABLE |           | 345650003                           |  |  |  |  |
|  |                      |                   |             |        |             |            |                   |     |          |           | -  | 51 | 50 | 49 | -  | 47 | -  | 45 | -  | -  | 42 | -  | -  | 39 | 38 | 37 | 36 | 35 | 34 | 33       |          |           |                                     |  |  |  |  |
|  |                      |                   |             |        |             |            |                   |     |          |           |  |    |    |    | 32 | 31 | -  | 29 | 28 | 27 | 26 | 25 | 24 | 23 | 22 | 21 | -  | -  | -  | 17       |          |           |                                     |  |  |  |  |
|  |                      |                   |             |        |             |            |                   |     |          |           | -  | 15 | -  | 13 | 12 | 11 | 10 | 9  | 8  | 7  | 6  | 5  | -  | 3  | 2  | 1  |    |    |    |          |          |           |                                     |  |  |  |  |
| MX123 CONN ASSY 73 CKT BLK OPT0 KEY A/53 | 345665693            | C-HSG-A0          | G-CAP-0-P   | TPA-A0 | RS          | LS         | MAL               | CPA | MSEAL    | RSEAL     | -  | -  | -  | -  | -  | 67 | -  | -  | -  | -  | 62 | -  | -  | 59 | 58 | -  | -  | 55 | -  | -        | SALEABLE |           | 345650003                           |  |  |  |  |
|  |                      |                   |             |        |             |            |                   |     |          |           | -  | -  | -  | -  | -  | 47 | -  | -  | -  | -  | 42 | 41 | -  | -  | -  | -  | -  | 35 | -  | -        |          |           |                                     |  |  |  |  |
|  |                      |                   |             |        |             |            |                   |     |          |           |  |    |    |    | -  | -  | -  | -  | -  | 27 | -  | -  | 24 | -  | -  | -  | -  | 19 | 18 | 17       |          |           |                                     |  |  |  |  |
|  |                      |                   |             |        |             |            |                   |     |          |           | 16   | -  | -  | -  | -  | 11 | 10 | -  | 8  | -  | -  | -  | -  | 3  | -  | 1  |    |    |    |          |          |           |                                     |  |  |  |  |
| MX123 CONN ASSY 73 CKT GRY OPT0 KEY B/52 | 345665703            | C-HSG-B0          | G-CAP-0-P   | TPA-B0 | RS          | LS         | MAL               | CPA | MSEAL    | RSEAL     | 72   | 71 | 70 | 69 | -  | 67 | 66 | 65 | 64 | 63 | 62 | 61 | 60 | -  | 58 | -  | 56 | -  | 54 | -        | SALEABLE |           | 345650003                           |  |  |  |  |
|  |                      |                   |             |        |             |            |                   |     |          |           | 52   | 51 | 50 | -  | -  | 47 | -  | 45 | 44 | 43 | 42 | 41 | 40 | -  | 38 | -  | 36 | -  | 34 | -        |          |           |                                     |  |  |  |  |
|  |                      |                   |             |        |             |            |                   |     |          |           |  |    |    |    | 32 | 31 | 30 | -  | 28 | 27 | 26 | 25 | 24 | -  | 22 | -  | 20 | 19 | -  | -        |          |           |                                     |  |  |  |  |
|  |                      |                   |             |        |             |            |                   |     |          |           | 16   | 15 | 14 | 13 | -  | -  | -  | 9  | 8  | -  | 6  | 5  | 4  | 3  | 2  | 1  |    |    |    |          |          |           |                                     |  |  |  |  |
| MX123 CONN ASSY 73 CKT BLU OPT0 KEY C/40 | 345665713            | C-HSG-C0          | G-CAP-0-P   | TPA-C0 | RS          | LS         | MAL               | CPA | MSEAL    | RSEAL     | 72   | 71 | 70 | -  | 68 | -  | -  | 65 | -  | 63 | -  | 61 | -  | 59 | 58 | -  | 56 | -  | -  | 53       | SALEABLE |           | 345650003                           |  |  |  |  |
|  |                      |                   |             |        |             |            |                   |     |          |           | -  | -  | -  | 49 | -  | 47 | -  | -  | -  | 43 | -  | 41 | 40 | 39 | 38 | -  | 36 | -  | -  | -        |          |           |                                     |  |  |  |  |
|  |                      |                   |             |        |             |            |                   |     |          |           |  |    |    |    | -  | -  | 30 | 29 | -  | -  | -  | 25 | 24 | 23 | 22 | 21 | 20 | -  | -  | -        |          |           |                                     |  |  |  |  |
|  |                      |                   |             |        |             |            |                   |     |          |           | -  | -  | -  | -  | -  | -  | -  | -  | -  | -  | 6  | 5  | 4  | 3  | 2  | 1  |    |    |    |          |          |           |                                     |  |  |  |  |
| MX123 CONN ASSY 73 CKT BLU OPT0 KEY C/36 | 345665723            | C-HSG-C0          | G-CAP-0-P   | TPA-C0 | RS          | LS         | MAL               | CPA | MSEAL    | RSEAL     | 72   | 71 | 70 | -  | 68 | -  | -  | 65 | -  | 63 | 62 | -  | -  | 59 | 58 | -  | 56 | 55 | -  | 53       | SALEABLE |           | 345650003                           |  |  |  |  |
|  |                      |                   |             |        |             |            |                   |     |          |           | -  | -  | -  | -  | -  | 47 | -  | -  | -  | 43 | 42 | -  | 40 | 39 | 38 | -  | 36 | 35 | -  | -        |          |           |                                     |  |  |  |  |
|  |                      |                   |             |        |             |            |                   |     |          |           |  |    |    |    | 32 | -  | 30 | 29 | -  | -  | 26 | -  | 24 | 23 | 22 | 21 | 20 | 19 | -  | 17       |          |           |                                     |  |  |  |  |
|  |                      |                   |             |        |             |            |                   |     |          |           | -  | -  | -  | -  | -  | -  | -  | -  | -  | -  | 6  | 5  | 4  | 3  | 2  | 1  |    |    |    |          |          |           |                                     |  |  |  |  |
| MX123 CONN ASSY 73 CKT BLK OPT0 KEY A/36 | 345665733            | C-HSG-A0          | G-CAP-0-P   | TPA-A0 | RS          | LS         | MAL               | CPA | MSEAL    | RSEAL     | 72   | -  | -  | -  | 68 | 67 | 66 | 65 | -  | -  | 62 | 61 | -  | -  | -  | -  | -  | -  | -  | SALEABLE |          | 345650003 |                                     |  |  |  |  |
|  |                      |                   |             |        |             |            |                   |     |          |           | -  | -  | 50 | -  | 48 | 47 | 46 | -  | -  | -  | -  | -  | 40 | 39 | 38 | -  | -  | 35 | -  |          |          |           | 33                                  |  |  |  |  |
|  |                      |                   |             |        |             |            |                   |     |          |           |  |    |    |    | -  | 31 | -  | 29 | -  | 27 | -  | 25 | 24 | 23 | 22 | 21 | 20 | -  | -  |          |          |           | 17                                  |  |  |  |  |
|  |                      |                   |             |        |             |            |                   |     |          |           | -  | -  | 14 | 13 | -  | 11 | -  | 9  | 8  | 7  | 6  | 5  | 4  | -  | 2  | 1  |    |    |    |          |          |           |                                     |  |  |  |  |
| MX123 CONN ASSY 73 CKT BLK OPT0 KEY A/36 | 345665743            | C-HSG-A0          | G-CAP-0-P   | TPA-A0 | RS          | LS         | MAL               | CPA | MSEAL    | RSEAL     | 72   | -  | -  | -  | 68 | -  | 66 | 65 | -  | -  | 62 | 61 | -  | -  | 58 | -  | -  | -  | -  | SALEABLE |          | 345650003 |                                     |  |  |  |  |
|  |                      |                   |             |        |             |            |                   |     |          |           | -  | -  | 50 | -  | 48 | 47 | 46 | -  | -  | -  | -  | -  | 40 | 39 | 38 | -  | -  | 35 | -  |          |          |           | 33                                  |  |  |  |  |
|  |                      |                   |             |        |             |            |                   |     |          |           |  |    |    |    | -  | 31 | -  | 29 | -  | 27 | -  | 25 | 24 | 23 | 22 | 21 | 20 | -  | -  |          |          |           | 17                                  |  |  |  |  |
|  |                      |                   |             |        |             |            |                   |     |          |           | -  | -  | 14 | 13 | -  | 11 | -  | 9  | 8  | 7  | 6  | 5  | 4  | -  | 2  | 1  |    |    |    |          |          |           |                                     |  |  |  |  |
| MX123 CONN ASSY 73 CKT BLK OPT0 KEY A/39 | 345665753            | C-HSG-A0          | G-CAP-0-P   | TPA-A0 | RS          | LS         | MAL               | CPA | MSEAL    | RSEAL     | 72   | -  | -  | -  | 68 | 67 | 66 | 65 | -  | -  | 62 | 61 | -  | -  | 58 | -  | -  | -  | -  | SALEABLE |          | 345650003 |                                     |  |  |  |  |
|  |                      |                   |             |        |             |            |                   |     |          |           | -  | -  | 50 | -  | 48 | 47 | 46 | -  | -  | -  | -  | -  | 40 | 39 | 38 | -  | -  | 35 | -  |          |          |           | 33                                  |  |  |  |  |
|  |                      |                   |             |        |             |            |                   |     |          |           |  |    |    |    | -  | 31 | -  | 29 | -  | 27 | -  | 25 | 24 | -  | 22 | -  | 20 | -  | -  |          |          |           | 17                                  |  |  |  |  |
|  |                      |                   |             |        |             |            |                   |     |          |           | -  | -  | 14 | 13 | -  | 11 | -  | 9  | -  | 7  | 6  | -  | 4  | -  | 2  | 1  |    |    |    |          |          |           |                                     |  |  |  |  |
| MX123 CONN ASSY 73 CKT BLU OPT0 KEY C/42 | 345665763            | C-HSG-C0          | G-CAP-0-P   | TPA-C0 | RS          | LS         | MAL               | CPA | MSEAL    | RSEAL     | -  | 71 | -  | 69 | -  | 67 | -  | 65 | 64 | -  | -  | 61 | 60 | -  | 58 | -  | 56 | 55 | 54 | -        | SALEABLE |           | 345650003                           |  |  |  |  |
|  |                      |                   |             |        |             |            |                   |     |          |           | -  | -  | 50 | 49 | -  | -  | -  | 45 | -  | 43 | -  | 41 | -  | -  | 38 | -  | -  | 35 | -  | -        |          |           |                                     |  |  |  |  |
|  |                      |                   |             |        |             |            |                   |     |          |           |  |    |    |    | -  | 31 | -  | 29 | 28 | -  | -  | -  | -  | 23 | -  | -  | -  | 19 | 18 | 17       |          |           |                                     |  |  |  |  |
|  |                      |                   |             |        |             |            |                   |     |          |           | 16   | -  | -  | -  | 12 | 11 | -  | -  | -  | 7  | -  | -  | -  | 3  | -  | 1  |    |    |    |          |          |           |                                     |  |  |  |  |
| MX123 CONN ASSY 73 CKT BLU OPT0 KEY C/41 | 345665773            | C-HSG-C0          | G-CAP-0-P   | TPA-C0 | RS          | LS         | MAL               | CPA | MSEAL    | RSEAL     | -  | 71 | -  | 69 | -  | 67 | 66 | 65 | 64 | -  | -  | 61 | 60 | -  | -  | 56 | 55 | 54 | -  | SALEABLE |          | 345650003 |                                     |  |  |  |  |
|  |                      |                   |             |        |             |            |                   |     |          |           | -  | -  | 50 | 49 | -  | -  | 46 | 45 | -  | 43 | -  | 41 | -  | -  | 38 | -  | -  | 35 | -  |          |          |           | -                                   |  |  |  |  |
|  |                      |                   |             |        |             |            |                   |     |          |           |  |    |    |    | -  | 31 | -  | 29 | 28 | -  | -  | -  | -  | 23 | -  | -  | -  | 19 | 18 |          |          |           | -                                   |  |  |  |  |
|  |                      |                   |             |        |             |            |                   |     |          |           | 16   | -  | -  | -  | 12 | 11 | 10 | 9  | -  | 7  | -  | -  | -  | 3  | -  | -  |    |    |    |          |          |           |                                     |  |  |  |  |
| MX123 CONN ASSY 73 CKT BLU OPT0 KEY C/38 | 345665783            | C-HSG-C0          | G-CAP-0-P   | TPA-C0 | RS          | LS         | MAL               | CPA | MSEAL    | RSEAL     | -  | 71 | -  | 69 | -  | 67 | 66 | 65 | 64 | -  | -  | 61 | 60 | -  | 58 | -  | 56 | 55 | 54 | -        | SALEABLE |           | 345650003                           |  |  |  |  |
|  |                      |                   |             |        |             |            |                   |     |          |           | -  | -  | 50 | 49 | -  | -  | 46 | 45 | -  | 43 | -  | 41 | -  | -  | 38 | -  | -  | 35 | -  | -        |          |           |                                     |  |  |  |  |
|  |                      |                   |             |        |             |            |                   |     |          |           |  |    |    |    | -  | 31 | -  | 29 | 28 | -  | -  | -  | -  | 23 | -  | -  | -  | 19 | 18 | 17       |          |           |                                     |  |  |  |  |
|  |                      |                   |             |        |             |            |                   |     |          |           | 16   | -  | -  | -  | 12 | 11 | 10 | 9  | -  | 7  | -  | -  | -  | 3  | -  | 1  |    |    |    |          |          |           |                                     |  |  |  |  |
| MX123 CONN ASSY 73 CKT BLK OPT0 KEY B/34 | 345665793            | C-HSG-B0          | G-CAP-0-P   | TPA-B0 | RS          | LS         | MAL               | CPA | MSEAL    | RSEAL     | -  | 71 | -  | 69 | -  | 67 | -  | 65 | 64 | 63 | 62 | 61 | -  | -  | 58 | 57 | 56 | -  | -  | -        | SALEABLE |           | 345650003                           |  |  |  |  |
|  |                      |                   |             |        |             |            |                   |     |          |           | -  | 51 | -  | 49 | -  | 47 | -  | 45 | 44 | 43 | 42 | 41 | -  | -  | 38 | 37 | 36 | -  | -  | -        |          |           |                                     |  |  |  |  |
|  |                      |                   |             |        |             |            |                   |     |          |           |  |    |    |    | -  | -  | -  | -  | -  | -  | -  | -  | -  | 23 | 22 | 21 | 20 | 19 | 18 | -        |          |           |                                     |  |  |  |  |
|  |                      |                   |             |        |             |            |                   |     |          |           | -  | 15 | 14 | 13 | 12 | 11 | -  | 9  | -  | 7  | 6  | 5  | 4  | 3  | -  | -  |    |    |    |          |          |           |                                     |  |  |  |  |

| ASSEMBLY DESCRIPTION                     | ASSEMBLY PART NUMBER | CONNECTOR HOUSING | GROMMET CAP | TPA    | RIGHT SLIDE | LEFT SLIDE | MATE ASSIST LEVER | CPA | MAT SEAL | RING SEAL | BLOCKED TERMINALS  |    |    |    |    |    |    |    |    |    |    |    |    |    |    |    |    |    | STATUS | COMMENTS | INTEGRAL COMPONENTS SOLD SEPARATELY |  |           |
|--|----------------------|-------------------|-------------|--------|-------------|------------|-------------------|-----|----------|-----------|--|----|----|----|----|----|----|----|----|----|----|----|----|----|----|----|----|----|--------|----------|-------------------------------------|--|-----------|
|  |                      |                   |             |        |             |            |                   |     |          |           | CAVITY WITH A NUMBER INDICATES BLOCKED TERMINAL POSITION |    |    |    |    |    |    |    |    |    |    |    |    |    |    |    |    |    |        |          | DRESS COVER                         |  |           |
|  |                      |                   |             |        |             |            |                   |     |          |           | CAVITY WITHOUT A NUMBER INDICATES OPEN TERMINAL POSITION |    |    |    |    |    |    |    |    |    |    |    |    |    |    |    |    |    |        |          |                                     |  |           |
| MX123 CONN ASSY 73 CKT GRY OPT0 KEY B/55 | 345665803            | C-HSG-B0          | G-CAP-0-P   | TPA-B0 | RS          | LS         | MAL               | CPA | MSEAL    | RSEAL     | 72   | 71 | 70 | 69 | 68 | 67 | 66 | 65 | 64 | 63 | 62 | 61 | 60 | 59 | 58 | 57 | 56 | 55 | 54     | 53       | SALEABLE                            |  | 345650003 |
|  |                      |                   |             |        |             |            |                   |     |          |           | 52   | 51 | 50 | -  | -  | -  | 46 | 45 | 44 | 43 | 42 | 41 | 40 | -  | 38 | -  | 36 | -  | 34     | -        |                                     |  |           |
|  |                      |                   |             |        |             |            |                   |     |          |           |  |    |    |    | 32 | 31 | 30 | -  | 28 | 27 | 26 | 25 | 24 | -  | 22 | -  | 20 | 19 | 18     | -        |                                     |  |           |
| MX123 CONN ASSY 73 CKT GRY OPT0 KEY B/38 | 345665813            | C-HSG-B0          | G-CAP-0-P   | TPA-B0 | RS          | LS         | MAL               | CPA | MSEAL    | RSEAL     | -  | 71 | -  | 69 | -  | 67 | -  | 65 | 64 | 63 | 62 | 61 | -  | -  | 58 | 57 | 56 | -  | -      | -        | SALEABLE                            |  | 345650003 |
|  |                      |                   |             |        |             |            |                   |     |          |           | -  | 51 | -  | 49 | -  | 47 | -  | 45 | 44 | 43 | 42 | 41 | -  | -  | 38 | 37 | 36 | -  | -      | -        |                                     |  |           |
|  |                      |                   |             |        |             |            |                   |     |          |           |  |    |    |    | -  | -  | -  | -  | -  | -  | -  | -  | -  | -  | 22 | 21 | 20 | -  | -      | -        |                                     |  |           |
| MX123 CONN ASSY 73 CKT BLK OPT0 KEY A/21 | 345665823            | C-HSG-A0          | G-CAP-0-P   | TPA-A0 | RS          | LS         | MAL               | CPA | MSEAL    | RSEAL     | -  | 71 | -  | 69 | 68 | 67 | 66 | 65 | 64 | -  | 62 | 61 | 60 | 59 | 58 | 57 | 56 | 55 | 54     | 53       | SALEABLE                            |  | 345650003 |
|  |                      |                   |             |        |             |            |                   |     |          |           | -  | 51 | 50 | -  | 48 | 47 | 46 | 45 | 44 | -  | 42 | -  | 40 | 39 | 38 | 37 | 36 | 35 | 34     | 33       |                                     |  |           |
|  |                      |                   |             |        |             |            |                   |     |          |           |  |    |    |    | 32 | -  | -  | 29 | -  | -  | -  | 25 | 24 | -  | 22 | 21 | -  | -  | 18     | 17       |                                     |  |           |
| MX123 CONN ASSY 73 CKT BLK OPT0 KEY A/22 | 345665833            | C-HSG-A0          | G-CAP-0-P   | TPA-A0 | RS          | LS         | MAL               | CPA | MSEAL    | RSEAL     | -  | 71 | -  | 69 | 68 | 67 | 66 | 65 | 64 | -  | 62 | 61 | 60 | 59 | 58 | 57 | 56 | 55 | 54     | 53       | SALEABLE                            |  | 345650003 |
|  |                      |                   |             |        |             |            |                   |     |          |           | -  | 51 | 50 | -  | 48 | 47 | 46 | 45 | 44 | -  | 42 | -  | 40 | 39 | 38 | 37 | 36 | 35 | 34     | 33       |                                     |  |           |
|  |                      |                   |             |        |             |            |                   |     |          |           |  |    |    |    | 32 | -  | -  | 29 | -  | -  | -  | 25 | 24 | -  | 22 | 21 | -  | -  | 18     | 17       |                                     |  |           |
| MX123 CONN ASSY 73 CKT BLU OPT0 KEY C/36 | 345665863            | C-HSG-C0          | G-CAP-0-P   | TPA-C0 | RS          | LS         | MAL               | CPA | MSEAL    | RSEAL     | -  | 71 | -  | 69 | 68 | 67 | -  | 65 | 64 | -  | -  | 61 | 60 | -  | 58 | -  | -  | -  | 54     | -        | SALEABLE                            |  | 345650003 |
|  |                      |                   |             |        |             |            |                   |     |          |           | -  | -  | 50 | 49 | 48 | 47 | -  | 45 | -  | 43 | -  | 41 | -  | -  | 38 | -  | -  | 35 | -      | -        |                                     |  |           |
|  |                      |                   |             |        |             |            |                   |     |          |           |  |    |    |    | -  | 31 | -  | 29 | 28 | 27 | -  | -  | 24 | 23 | -  | -  | 20 | -  | -      | 17       |                                     |  |           |
| MX123 CONN ASSY 73 CKT GRY OPT0 KEY B/20 | 345665873            | C-HSG-B0          | G-CAP-0-P   | TPA-B0 | RS          | LS         | MAL               | CPA | MSEAL    | RSEAL     | -  | 71 | 70 | 69 | 68 | 67 | 66 | 65 | 64 | 63 | -  | -  | 60 | 59 | 58 | 57 | 56 | 55 | 54     | 53       | SALEABLE                            |  | 345650003 |
|  |                      |                   |             |        |             |            |                   |     |          |           | -  | 51 | 50 | 49 | -  | -  | -  | 45 | -  | -  | 42 | -  | -  | 39 | 38 | 37 | 36 | 35 | 34     | 33       |                                     |  |           |
|  |                      |                   |             |        |             |            |                   |     |          |           |  |    |    |    | 32 | 31 | -  | 29 | 28 | 27 | 26 | 25 | 24 | 23 | 22 | 21 | -  | -  | -      | 17       |                                     |  |           |
| MX123 CONN ASSY 73 CKT GRY OPT0 KEY B/19 | 345665883            | C-HSG-B0          | G-CAP-0-P   | TPA-B0 | RS          | LS         | MAL               | CPA | MSEAL    | RSEAL     | -  | 71 | 70 | 69 | 68 | 67 | 66 | 65 | 64 | 63 | -  | -  | 60 | 59 | 58 | 57 | 56 | 55 | 54     | 53       | SALEABLE                            |  | 345650003 |
|  |                      |                   |             |        |             |            |                   |     |          |           | -  | 51 | 50 | 49 | -  | -  | -  | 45 | 44 | -  | 42 | -  | -  | 39 | 38 | 37 | 36 | 35 | 34     | 33       |                                     |  |           |
|  |                      |                   |             |        |             |            |                   |     |          |           |  |    |    |    | 32 | 31 | -  | 29 | 28 | 27 | 26 | 25 | 24 | 23 | 22 | 21 | -  | -  | -      | 17       |                                     |  |           |
| MX123 CONN ASSY 73 CKT BLU OPT0 KEY C/35 | 345665893            | C-HSG-C0          | G-CAP-0-P   | TPA-C0 | RS          | LS         | MAL               | CPA | MSEAL    | RSEAL     | 72   | 71 | 70 | -  | 68 | -  | -  | 65 | 64 | 63 | -  | 61 | -  | 59 | 58 | -  | 56 | -  | -      | 53       | SALEABLE                            |  | 345650003 |
|  |                      |                   |             |        |             |            |                   |     |          |           | -  | -  | -  | 49 | -  | 47 | -  | -  | -  | 43 | -  | 41 | 40 | 39 | 38 | -  | 36 | -  | -      | -        |                                     |  |           |
|  |                      |                   |             |        |             |            |                   |     |          |           |  |    |    |    | -  | 31 | 30 | 29 | -  | -  | -  | 25 | 24 | 23 | 22 | 21 | 20 | -  | -      | 17       |                                     |  |           |
| MX123 CONN ASSY 73 CKT BLK OPT0 KEY A/40 | 345665903            | C-HSG-A0          | G-CAP-0-P   | TPA-A0 | RS          | LS         | MAL               | CPA | MSEAL    | RSEAL     | -  | -  | 70 | -  | -  | -  | -  | 65 | -  | -  | -  | 61 | 60 | -  | 58 | 57 | 56 | 55 | 54     | -        | SALEABLE                            |  | 345650003 |
|  |                      |                   |             |        |             |            |                   |     |          |           | 52   | 51 | 50 | 49 | -  | 47 | 46 | 45 | -  | -  | -  | 41 | 40 | -  | 38 | 37 | 36 | -  | 34     | -        |                                     |  |           |
|  |                      |                   |             |        |             |            |                   |     |          |           |  |    |    |    | -  | 31 | 30 | -  | 28 | -  | 26 | 25 | 24 | -  | 22 | 21 | 20 | 19 | 18     | -        |                                     |  |           |
| MX123 CONN ASSY 73 CKT BLU OPT0 KEY C/34 | 345665913            | C-HSG-C0          | G-CAP-0-P   | TPA-C0 | RS          | LS         | MAL               | CPA | MSEAL    | RSEAL     | 72   | 71 | 70 | -  | 68 | -  | -  | 65 | -  | 63 | 62 | -  | -  | 59 | 58 | -  | 56 | 55 | -      | 53       | SALEABLE                            |  | 345650003 |
|  |                      |                   |             |        |             |            |                   |     |          |           | -  | -  | -  | -  | -  | 47 | -  | -  | -  | 43 | 42 | -  | 40 | 39 | 38 | -  | 36 | 35 | -      | -        |                                     |  |           |
|  |                      |                   |             |        |             |            |                   |     |          |           |  |    |    |    | -  | 31 | 30 | 29 | -  | -  | 26 | -  | 24 | 23 | 22 | 21 | 20 | 19 | -      | 17       |                                     |  |           |
| MX123 CONN ASSY 73 CKT BLU OPT0 KEY C/38 | 345665933            | C-HSG-C0          | G-CAP-0-P   | TPA-C0 | RS          | LS         | MAL               | CPA | MSEAL    | RSEAL     | -  | 71 | -  | 69 | -  | 67 | -  | 65 | 64 | -  | -  | 61 | 60 | -  | 58 | -  | -  | -  | 54     | -        | SALEABLE                            |  | 345650003 |
|  |                      |                   |             |        |             |            |                   |     |          |           | -  | -  | 50 | 49 | -  | -  | -  | 45 | -  | 43 | -  | 41 | -  | -  | 38 | 37 | 36 | 35 | -      | -        |                                     |  |           |
|  |                      |                   |             |        |             |            |                   |     |          |           |  |    |    |    | -  | 31 | -  | 29 | 28 | 27 | -  | -  | 24 | -  | -  | -  | 20 | 19 | 18     | 17       |                                     |  |           |
| MX123 CONN ASSY 73 CKT BLU OPT0 KEY C/41 | 345665943            | C-HSG-C0          | G-CAP-0-P   | TPA-C0 | RS          | LS         | MAL               | CPA | MSEAL    | RSEAL     | -  | 71 | -  | 69 | -  | -  | -  | 65 | 64 | -  | -  | 61 | 60 | -  | 58 | -  | -  | -  | 54     | -        | SALEABLE                            |  | 345650003 |
|  |                      |                   |             |        |             |            |                   |     |          |           | -  | -  | 50 | -  | -  | -  | -  | 45 | -  | 43 | -  | 41 | -  | -  | 38 | 37 | 36 | 35 | -      | -        |                                     |  |           |
|  |                      |                   |             |        |             |            |                   |     |          |           |  |    |    |    | -  | 31 | -  | 29 | 28 | -  | -  | -  | 24 | 23 | -  | -  | -  | 19 | 18     | 17       |                                     |  |           |



| ASSEMBLY DESCRIPTION                     | ASSEMBLY PART NUMBER | CONNECTOR HOUSING | GROMMET CAP | TPA    | RIGHT SLIDE | LEFT SLIDE | MATE ASSIST LEVER | CPA | MAT SEAL | RING SEAL | BLOCKED TERMINALS  |    |    |    |    |    |    |    |    |    |    |    |    |    |    |    |    |    |    |          | STATUS   | COMMENTS  | INTEGRAL COMPONENTS SOLD SEPARATELY |    |
|--|----------------------|-------------------|-------------|--------|-------------|------------|-------------------|-----|----------|-----------|--|----|----|----|----|----|----|----|----|----|----|----|----|----|----|----|----|----|----|----------|----------|-----------|-------------------------------------|----|
|  |                      |                   |             |        |             |            |                   |     |          |           | CAVITY WITH A NUMBER INDICATES BLOCKED TERMINAL POSITION |    |    |    |    |    |    |    |    |    |    |    |    |    |    |    |    |    |    |          |          |           | DRESS COVER                         |    |
|  |                      |                   |             |        |             |            |                   |     |          |           | CAVITY WITHOUT A NUMBER INDICATES OPEN TERMINAL POSITION |    |    |    |    |    |    |    |    |    |    |    |    |    |    |    |    |    |    |          |          |           |                                     |    |
| MX123 CONN ASSY 73 CKT BLU OPT0 KEY C/35 | 345666073            | C-HSG-C0          | G-CAP-0-P   | TPA-C0 | RS          | LS         | MAL               | CPA | MSEAL    | RSEAL     | 72   | 71 | 70 | -  | 68 | -  | -  | 65 | -  | 63 | 62 | -  | -  | 59 | 58 | -  | 56 | 55 | -  | 53       | SALEABLE |           | 345650003                           |    |
|  |                      |                   |             |        |             |            |                   |     |          |           | -  | -  | -  | -  | -  | -  | 47 | -  | -  | -  | 43 | 42 | -  | 40 | 39 | 38 | -  | 36 | 35 | -        |          |           |                                     | -  |
|  |                      |                   |             |        |             |            |                   |     |          |           | -  | -  | -  | -  | -  | -  | 31 | 30 | 29 | -  | -  | 26 | -  | 24 | 23 | 22 | 21 | 20 | 19 | -        |          |           |                                     | -  |
| MX123 CONN ASSY 73 CKT BLU OPT0 KEY C/38 | 345666083            | C-HSG-C0          | G-CAP-0-P   | TPA-C0 | RS          | LS         | MAL               | CPA | MSEAL    | RSEAL     | -  | 71 | -  | 69 | -  | -  | -  | 65 | 64 | -  | -  | 61 | 60 | -  | 58 | -  | 56 | 55 | 54 | -        | SALEABLE |           | 345650003                           |    |
|  |                      |                   |             |        |             |            |                   |     |          |           | -  | -  | 50 | 49 | -  | -  | -  | 45 | -  | 43 | -  | 41 | -  | -  | 38 | -  | -  | 35 | -  | -        |          |           |                                     |    |
|  |                      |                   |             |        |             |            |                   |     |          |           | -  | -  | -  | -  | -  | -  | 31 | -  | 29 | 28 | 27 | -  | -  | 24 | 23 | -  | -  | 20 | 19 | 18       |          |           |                                     | 17 |
| MX123 CONN ASSY 73 CKT GRY OPT0 KEY B/22 | 345666093            | C-HSG-B0          | G-CAP-0-P   | TPA-B0 | RS          | LS         | MAL               | CPA | MSEAL    | RSEAL     | -  | 71 | -  | 69 | 68 | -  | 66 | 65 | 64 | -  | -  | -  | -  | 58 | 57 | 56 | 55 | 54 | 53 | SALEABLE |          | 345650003 |                                     |    |
|  |                      |                   |             |        |             |            |                   |     |          |           | -  | 51 | 50 | 49 | 48 | 47 | -  | 45 | 44 | -  | 42 | -  | -  | 39 | 38 | 37 | 36 | 35 | 34 |          |          |           | 33                                  |    |
|  |                      |                   |             |        |             |            |                   |     |          |           | -  | -  | -  | -  | 32 | 31 | 30 | 29 | 28 | -  | 26 | 25 | 24 | 23 | 22 | 21 | -  | -  | -  |          |          |           | 17                                  |    |
| MX123 CONN ASSY 73 CKT GRY OPT0 KEY B/51 | 345666103            | C-HSG-B0          | G-CAP-0-P   | TPA-B0 | RS          | LS         | MAL               | CPA | MSEAL    | RSEAL     | 72   | 71 | 70 | 69 | 68 | -  | -  | -  | 64 | 63 | -  | 61 | 60 | -  | 58 | -  | 56 | -  | 54 | -        | SALEABLE |           | 345650003                           |    |
|  |                      |                   |             |        |             |            |                   |     |          |           | 52   | 51 | 50 | -  | -  | -  | 46 | 45 | 44 | 43 | -  | 41 | 40 | -  | 38 | -  | 36 | -  | 34 | -        |          |           |                                     |    |
|  |                      |                   |             |        |             |            |                   |     |          |           | -  | -  | -  | -  | 32 | 31 | 30 | -  | 28 | 27 | -  | 25 | 24 | -  | 22 | -  | 20 | 19 | 18 | 17       |          |           |                                     |    |
| MX123 CONN ASSY 73 CKT BLK OPT0 KEY A/66 | 345666113            | C-HSG-A0          | G-CAP-0-P   | TPA-A0 | RS          | LS         | MAL               | CPA | MSEAL    | RSEAL     | -  | -  | -  | -  | -  | 67 | -  | -  | -  | -  | -  | -  | -  | 59 | -  | -  | -  | -  | -  | SALEABLE |          | 345650003 |                                     |    |
|  |                      |                   |             |        |             |            |                   |     |          |           | -  | -  | -  | -  | -  | 47 | -  | -  | -  | -  | -  | -  | -  | -  | -  | -  | -  | 35 | -  |          |          |           | -                                   |    |
|  |                      |                   |             |        |             |            |                   |     |          |           | -  | -  | -  | -  | -  | -  | -  | -  | -  | -  | -  | -  | -  | 24 | -  | -  | -  | -  | -  |          |          |           | 17                                  |    |
| MX123 CONN ASSY 73 CKT BLU OPT0 KEY C/33 | 345666123            | C-HSG-C0          | G-CAP-0-P   | TPA-C0 | RS          | LS         | MAL               | CPA | MSEAL    | RSEAL     | 72   | 71 | 70 | -  | 68 | -  | -  | 65 | -  | 63 | -  | 61 | -  | 59 | 58 | -  | 56 | 55 | -  | 53       | SALEABLE |           | 345650003                           |    |
|  |                      |                   |             |        |             |            |                   |     |          |           | -  | -  | -  | 49 | -  | 47 | -  | -  | -  | 43 | -  | 41 | 40 | 39 | 38 | -  | 36 | 35 | -  | -        |          |           |                                     |    |
|  |                      |                   |             |        |             |            |                   |     |          |           | -  | -  | -  | -  | 32 | 31 | 30 | 29 | -  | -  | 25 | 24 | 23 | 22 | 21 | 20 | 19 | 18 | 17 |          |          |           |                                     |    |
| MX123 CONN ASSY 73 CKT BLU OPT9 KEY C/38 | 345666133            | C-HSG-C9          | G-CAP-9-P   | TPA-C9 | RS          | LS         | MAL               | CPA | MSEAL    | RSEAL     | -  | 71 | -  | 69 | -  | -  | 66 | 65 | 64 | -  | -  | 61 | 60 | -  | 58 | -  | 56 | 55 | 54 | -        | SALEABLE |           | 345650003                           |    |
|  |                      |                   |             |        |             |            |                   |     |          |           | -  | -  | 50 | 49 | -  | -  | 46 | 45 | -  | 43 | -  | 41 | -  | -  | -  | -  | 35 | -  | -  |          |          |           |                                     |    |
|  |                      |                   |             |        |             |            |                   |     |          |           | -  | -  | -  | -  | -  | 31 | -  | 29 | 28 | 27 | -  | -  | -  | 23 | -  | -  | 20 | 19 | 18 | 17       |          |           |                                     |    |
| MX123 CONN ASSY 73 CKT GRY OPT9 KEY B/33 | 345666173            | C-HSG-B9          | G-CAP-9-P   | TPA-B9 | RS          | LS         | MAL               | CPA | MSEAL    | RSEAL     | 72   | 71 | 70 | 69 | 68 | -  | -  | 65 | 64 | 63 | 62 | 61 | 60 | 59 | 58 | 57 | 56 | 55 | 54 | 53       | SALEABLE |           | 345650003                           |    |
|  |                      |                   |             |        |             |            |                   |     |          |           | 52   | 51 | 50 | 49 | -  | -  | 46 | 45 | 44 | 43 | 42 | -  | 40 | 39 | 38 | 37 | 36 | 35 | 34 | 33       |          |           |                                     |    |
|  |                      |                   |             |        |             |            |                   |     |          |           | -  | -  | -  | -  | -  | -  | -  | -  | 28 | -  | -  | -  | -  | 23 | -  | -  | 20 | -  | -  | 2        |          |           |                                     | -  |
| MX123 CONN ASSY 73 CKT BLK OPT9 KEY A/32 | 345666183            | C-HSG-A9          | G-CAP-9-P   | TPA-A9 | RS          | LS         | MAL               | CPA | MSEAL    | RSEAL     | 72   | 71 | 70 | 69 | 68 | 67 | -  | 65 | 64 | 63 | 62 | 61 | 60 | 59 | 58 | 57 | 56 | 55 | 54 | 53       | SALEABLE |           | 345650003                           |    |
|  |                      |                   |             |        |             |            |                   |     |          |           | 52   | 51 | 50 | 49 | -  | -  | 46 | 45 | 44 | 43 | 42 | -  | 40 | 39 | 38 | 37 | 36 | 35 | 34 | 33       |          |           |                                     |    |
|  |                      |                   |             |        |             |            |                   |     |          |           | -  | -  | -  | -  | -  | -  | -  | -  | 28 | -  | -  | -  | -  | 23 | -  | -  | 20 | -  | -  | 2        |          |           |                                     | -  |
| MX123 CONN ASSY 73 CKT GRY OPT9 KEY B/57 | 345666193            | C-HSG-B9          | G-CAP-9-P   | TPA-B9 | RS          | LS         | MAL               | CPA | MSEAL    | RSEAL     | -  | -  | -  | -  | -  | -  | -  | -  | -  | 63 | -  | -  | -  | -  | -  | -  | -  | -  | 53 | SALEABLE |          | 345650003 |                                     |    |
|  |                      |                   |             |        |             |            |                   |     |          |           | -  | -  | -  | -  | 48 | 47 | -  | 45 | -  | 43 | 42 | -  | -  | 39 | -  | -  | -  | 35 | 34 |          |          |           | 33                                  |    |
|  |                      |                   |             |        |             |            |                   |     |          |           | -  | -  | -  | -  | -  | -  | -  | -  | -  | -  | -  | -  | -  | 23 | 22 | -  | -  | 19 | -  |          |          |           | -                                   | 1  |
| MX123 CONN ASSY 73 CKT BLK OPT0 KEY A/33 | 345666203            | C-HSG-A0          | G-CAP-0-P   | TPA-A0 | RS          | LS         | MAL               | CPA | MSEAL    | RSEAL     | 72   | -  | -  | -  | -  | 67 | 66 | -  | -  | -  | 62 | -  | 60 | -  | 58 | -  | -  | 55 | 54 | 53       | SALEABLE |           | 345650003                           |    |
|  |                      |                   |             |        |             |            |                   |     |          |           | -  | -  | -  | -  | 48 | -  | 46 | 45 | 44 | 43 | 42 | -  | 40 | 39 | -  | -  | -  | 35 | -  | -        |          |           |                                     |    |
|  |                      |                   |             |        |             |            |                   |     |          |           | -  | -  | -  | -  | -  | -  | -  | -  | -  | -  | 26 | 25 | -  | -  | 22 | 21 | -  | -  | -  | 17       |          |           |                                     |    |
| MX123 CONN ASSY 73 CKT BLK OPT9 KEY A/33 | 345666213            | C-HSG-A9          | G-CAP-9-P   | TPA-A9 | RS          | LS         | MAL               | CPA | MSEAL    | RSEAL     | 72   | 71 | 70 | 69 | 68 | -  | -  | 65 | 64 | 63 | 62 | 61 | 60 | 59 | 58 | 57 | 56 | 55 | 54 | 53       | SALEABLE |           | 345650003                           |    |
|  |                      |                   |             |        |             |            |                   |     |          |           | 52   | 51 | 50 | 49 | -  | -  | 46 | 45 | 44 | 43 | 42 | -  | 40 | 39 | 38 | 37 | 36 | 35 | 34 | 33       |          |           |                                     |    |
|  |                      |                   |             |        |             |            |                   |     |          |           | -  | -  | -  | -  | -  | -  | -  | -  | 28 | -  | -  | -  | -  | 23 | -  | -  | 20 | -  | -  | 2        |          |           |                                     | -  |



| ASSEMBLY DESCRIPTION                     | ASSEMBLY PART NUMBER | CONNECTOR HOUSING | GROMMET CAP | TPA    | RIGHT SLIDE | LEFT SLIDE | MATE ASSIST LEVER | CPA | MAT SEAL | RING SEAL | BLOCKED TERMINALS  |    |    |    |    |    |    |    |    |    |    |    |    |    |    |    |    |    | STATUS | COMMENTS | INTEGRAL COMPONENTS SOLD SEPARATELY |    |    |    |    |    |    |
|--|----------------------|-------------------|-------------|--------|-------------|------------|-------------------|-----|----------|-----------|--|----|----|----|----|----|----|----|----|----|----|----|----|----|----|----|----|----|--------|----------|-------------------------------------|----|----|----|----|----|----|
|  |                      |                   |             |        |             |            |                   |     |          |           | CAVITY WITH A NUMBER INDICATES BLOCKED TERMINAL POSITION |    |    |    |    |    |    |    |    |    |    |    |    |    |    |    |    |    |        |          | DRESS COVER                         |    |    |    |    |    |    |
|  |                      |                   |             |        |             |            |                   |     |          |           | CAVITY WITHOUT A NUMBER INDICATES OPEN TERMINAL POSITION |    |    |    |    |    |    |    |    |    |    |    |    |    |    |    |    |    |        |          |                                     |    |    |    |    |    |    |
| MX123 CONN ASSY 73 CKT BLU OPT9 KEY C/36 | 345666223            | C-HSG-C9          | G-CAP-9-P   | TPA-C9 | RS          | LS         | MAL               | CPA | MSEAL    | RSEAL     | -  | 71 | -  | 69 | -  | 67 | -  | 65 | 64 | -  | -  | 61 | 60 | -  | 58 | -  | 56 | 55 | 54     | -        |                                     |    |    |    |    |    |    |
|  |                      |                   |             |        |             |            |                   |     |          |           | -  | -  | 50 | 49 | -  | -  | -  | 45 | -  | 43 | 42 | 41 | -  | -  | 38 | 37 | 36 | 35 | -      | -        |                                     |    |    |    |    |    |    |
|  |                      |                   |             |        |             |            |                   |     |          |           |  |    |    |    |    |    |    |    |    |    |    | -  | 31 | -  | 29 | 28 | -  | -  | -      | 24       | 23                                  | -  | -  | -  | 19 | 18 | 17 |
|  |                      |                   |             |        |             |            |                   |     |          |           |  |    |    |    |    |    |    |    |    |    |    | 16 | -  | -  | -  | 12 | 11 | -  | -      | 8        | 7                                   | -  | -  | -  | 3  | 2  | 1  |
| MX123 CONN ASSY 73 CKT GRY OPT9 KEY B/34 | 345666233            | C-HSG-B9          | G-CAP-9-P   | TPA-B9 | RS          | LS         | MAL               | CPA | MSEAL    | RSEAL     | -  | 71 | -  | 69 | -  | 67 | -  | 65 | 64 | 63 | 62 | 61 | -  | -  | 58 | 57 | 56 | -  | -      | -        |                                     |    |    |    |    |    |    |
|  |                      |                   |             |        |             |            |                   |     |          |           | -  | 51 | -  | 49 | -  | 47 | -  | 45 | 44 | 43 | 42 | 41 | -  | -  | 38 | 37 | 36 | -  | -      | -        |                                     |    |    |    |    |    |    |
|  |                      |                   |             |        |             |            |                   |     |          |           |  |    |    |    |    |    |    |    |    |    |    | -  | -  | -  | -  | -  | -  | -  | -      | 23       | 22                                  | 21 | 20 | 19 | 18 | -  |    |
|  |                      |                   |             |        |             |            |                   |     |          |           |  |    |    |    |    |    |    |    |    |    |    | -  | 15 | 14 | 13 | 12 | 11 | -  | 9      | -        | 7                                   | 6  | 5  | 4  | 3  | -  | -  |
| MX123 CONN ASSY 73 CKT BLK OPT9 KEY A/39 | 345666243            | C-HSG-A9          | G-CAP-9-P   | TPA-A9 | RS          | LS         | MAL               | CPA | MSEAL    | RSEAL     | 72   | -  | -  | -  | 68 | 67 | 66 | 65 | -  | -  | 62 | 61 | -  | -  | -  | -  | -  | -  | -      |          |                                     |    |    |    |    |    |    |
|  |                      |                   |             |        |             |            |                   |     |          |           | -  | -  | -  | -  | 48 | 47 | 46 | -  | -  | -  | -  | -  | 40 | -  | 38 | -  | -  | 35 | -      | 33       |                                     |    |    |    |    |    |    |
|  |                      |                   |             |        |             |            |                   |     |          |           |  |    |    |    |    |    |    |    |    |    |    | -  | 31 | -  | 29 | -  | 27 | -  | 25     | 24       | 23                                  | 22 | 21 | 20 | -  | -  | 17 |
|  |                      |                   |             |        |             |            |                   |     |          |           |  |    |    |    |    |    |    |    |    |    |    | -  | -  | -  | 13 | -  | 11 | -  | 9      | 8        | 7                                   | 6  | 5  | 4  | -  | 2  | 1  |
| MX123 CONN ASSY 73 CKT BLU OPT9 KEY C/43 | 345666253            | C-HSG-C9          | G-CAP-9-P   | TPA-C9 | RS          | LS         | MAL               | CPA | MSEAL    | RSEAL     | -  | 71 | -  | 69 | -  | -  | -  | 65 | 64 | -  | -  | 61 | 60 | -  | 58 | -  | 56 | 55 | 54     | -        |                                     |    |    |    |    |    |    |
|  |                      |                   |             |        |             |            |                   |     |          |           | -  | -  | 50 | -  | -  | -  | -  | 45 | -  | 43 | 42 | 41 | -  | -  | 38 | -  | -  | 35 | -      | -        |                                     |    |    |    |    |    |    |
|  |                      |                   |             |        |             |            |                   |     |          |           |  |    |    |    |    |    |    |    |    |    |    | -  | 31 | -  | 29 | 28 | -  | -  | -      | 23       | -                                   | -  | -  | 19 | 18 | 17 |    |
|  |                      |                   |             |        |             |            |                   |     |          |           |  |    |    |    |    |    |    |    |    |    |    | 16 | -  | -  | -  | 12 | 11 | -  | -      | 7        | -                                   | -  | -  | 3  | -  | 1  |    |
| MX123 CONN ASSY 73 CKT GRY OPT9 KEY B/53 | 345666263            | C-HSG-B9          | G-CAP-9-P   | TPA-B9 | RS          | LS         | MAL               | CPA | MSEAL    | RSEAL     | -  | -  | -  | 69 | -  | -  | -  | 65 | 64 | 63 | -  | -  | -  | -  | -  | -  | -  | -  | -      |          |                                     |    |    |    |    |    |    |
|  |                      |                   |             |        |             |            |                   |     |          |           | -  | -  | -  | 49 | -  | -  | -  | 45 | 44 | 43 | -  | -  | -  | -  | -  | -  | -  | -  | -      | -        |                                     |    |    |    |    |    |    |
|  |                      |                   |             |        |             |            |                   |     |          |           |  |    |    |    |    |    |    |    |    |    |    | -  | -  | -  | -  | -  | -  | -  | -      | 23       | 22                                  | 21 | 20 | 19 | -  | -  |    |
|  |                      |                   |             |        |             |            |                   |     |          |           |  |    |    |    |    |    |    |    |    |    |    | -  | -  | -  | -  | 12 | 11 | -  | 9      | -        | 7                                   | 6  | 5  | 4  | -  | -  | -  |
| MX123 CONN ASSY 73 CKT GRY OPT9 KEY B/48 | 345666273            | C-HSG-B9          | G-CAP-9-P   | TPA-B9 | RS          | LS         | MAL               | CPA | MSEAL    | RSEAL     | 72   | -  | -  | -  | 68 | 67 | 66 | -  | -  | -  | -  | -  | 59 | -  | -  | -  | -  | -  | -      |          |                                     |    |    |    |    |    |    |
|  |                      |                   |             |        |             |            |                   |     |          |           | -  | -  | -  | -  | 48 | 47 | 46 | -  | -  | -  | -  | 40 | -  | 38 | -  | -  | 35 | -  | 33     |          |                                     |    |    |    |    |    |    |
|  |                      |                   |             |        |             |            |                   |     |          |           |  |    |    |    |    |    |    |    |    |    |    | -  | 31 | -  | -  | -  | -  | 25 | -      | 23       | 22                                  | 21 | 20 | -  | -  | 17 |    |
|  |                      |                   |             |        |             |            |                   |     |          |           |  |    |    |    |    |    |    |    |    |    |    | -  | -  | -  | -  | -  | -  | 9  | 8      | 7        | 6                                   | 5  | 4  | -  | 2  | 1  |    |
| MX123 CONN ASSY 73 CKT BLU OPT9 KEY C/35 | 345666283            | C-HSG-C9          | G-CAP-9-P   | TPA-C9 | RS          | LS         | MAL               | CPA | MSEAL    | RSEAL     | -  | 71 | -  | 69 | -  | -  | -  | 65 | 64 | -  | -  | 61 | 60 | -  | 58 | -  | 56 | 55 | 54     | -        |                                     |    |    |    |    |    |    |
|  |                      |                   |             |        |             |            |                   |     |          |           | -  | -  | 50 | 49 | -  | -  | -  | 45 | -  | 43 | 42 | 41 | -  | -  | 38 | 37 | 36 | 35 | -      | -        |                                     |    |    |    |    |    |    |
|  |                      |                   |             |        |             |            |                   |     |          |           |  |    |    |    |    |    |    |    |    |    |    | -  | 31 | -  | 29 | 28 | -  | -  | -      | 24       | 23                                  | -  | -  | 20 | 19 | 18 | 17 |
|  |                      |                   |             |        |             |            |                   |     |          |           |  |    |    |    |    |    |    |    |    |    |    | 16 | -  | -  | 13 | 12 | 11 | -  | -      | 8        | 7                                   | -  | -  | -  | 3  | 2  | 1  |
| MX123 CONN ASSY 73 CKT GRY OPT9 KEY B/51 | 345666293            | C-HSG-B9          | G-CAP-9-P   | TPA-B9 | RS          | LS         | MAL               | CPA | MSEAL    | RSEAL     | -  | -  | -  | 69 | -  | -  | -  | 65 | 64 | 63 | -  | -  | -  | -  | -  | -  | -  | -  | -      |          |                                     |    |    |    |    |    |    |
|  |                      |                   |             |        |             |            |                   |     |          |           | -  | -  | -  | 49 | -  | -  | -  | 45 | 44 | 43 | -  | -  | -  | -  | -  | -  | -  | -  | -      | -        |                                     |    |    |    |    |    |    |
|  |                      |                   |             |        |             |            |                   |     |          |           |  |    |    |    |    |    |    |    |    |    |    | -  | -  | -  | -  | -  | -  | -  | -      | 23       | 22                                  | 21 | 20 | 19 | 18 | -  |    |
|  |                      |                   |             |        |             |            |                   |     |          |           |  |    |    |    |    |    |    |    |    |    |    | -  | -  | -  | -  | 12 | 11 | -  | 9      | -        | 7                                   | 6  | 5  | 4  | 3  | -  | -  |
| MX123 CONN ASSY 73 CKT BLK OPT0 KEY A/32 | 345666303            | C-HSG-A0          | G-CAP-0-P   | TPA-A0 | RS          | LS         | MAL               | CPA | MSEAL    | RSEAL     | 72   | -  | -  | -  | 67 | 66 | -  | -  | -  | -  | 62 | 61 | -  | 60 | -  | 58 | -  | -  | 55     | 54       | 53                                  |    |    |    |    |    |    |
|  |                      |                   |             |        |             |            |                   |     |          |           | -  | -  | -  | -  | 48 | 47 | 46 | 45 | 44 | 43 | 42 | -  | 40 | 39 | -  | -  | -  | 35 | -      | -        |                                     |    |    |    |    |    |    |
|  |                      |                   |             |        |             |            |                   |     |          |           |  |    |    |    |    |    |    |    |    |    |    | -  | -  | -  | -  | -  | -  | 26 | 25     | -        | -                                   | 22 | 21 | -  | -  | 17 |    |
|  |                      |                   |             |        |             |            |                   |     |          |           |  |    |    |    |    |    |    |    |    |    |    | -  | 15 | 14 | -  | -  | -  | -  | -      | 8        | 7                                   | 6  | 5  | 4  | 3  | -  | -  |
| MX123 CONN ASSY 73 CKT GRY OPT9 KEY B/40 | 345666313            | C-HSG-B9          | G-CAP-9-P   | TPA-B9 | RS          | LS         | MAL               | CPA | MSEAL    | RSEAL     | 72   | 71 | -  | -  | 68 | 67 | 66 | 65 | 64 | -  | -  | -  | -  | 59 | -  | -  | -  | -  | -      | -        |                                     |    |    |    |    |    |    |
|  |                      |                   |             |        |             |            |                   |     |          |           | -  | -  | -  | -  | 48 | 47 | 46 | 45 | -  | -  | -  | -  | 40 | -  | 38 | -  | -  | 35 | -      | 33       |                                     |    |    |    |    |    |    |
|  |                      |                   |             |        |             |            |                   |     |          |           |  |    |    |    |    |    |    |    |    |    |    | -  | 31 | 30 | -  | -  | -  | 25 | 24     | 23       | 22                                  | 21 | 20 | -  | -  | 17 |    |
|  |                      |                   |             |        |             |            |                   |     |          |           |  |    |    |    |    |    |    |    |    |    |    | -  | -  | -  | -  | -  | -  | 9  | 8      | 7        | 6                                   | 5  | 4  | -  | 2  | 1  |    |
| MX123 CONN ASSY 73 CKT GRY OPT9 KEY B/39 | 345666323            | C-HSG-B9          | G-CAP-9-P   | TPA-B9 | RS          | LS         | MAL               | CPA | MSEAL    | RSEAL     | 72   | -  | -  | -  | 68 | 67 | 66 | 65 | -  | -  | 62 | 61 | -  | -  | -  | -  | -  | -  | -      |          |                                     |    |    |    |    |    |    |
|  |                      |                   |             |        |             |            |                   |     |          |           | -  | -  | -  | -  | 48 | 47 | 46 | -  | -  | -  | -  | 40 | -  | 38 | -  | -  | 35 | -  | 33     |          |                                     |    |    |    |    |    |    |
|  |                      |                   |             |        |             |            |                   |     |          |           |  |    |    |    |    |    |    |    |    |    |    | -  | 31 | -  | 29 | -  | 27 | -  | 25     | 24       | 23                                  | 22 | 21 | 20 | -  | -  | 17 |
|  |                      |                   |             |        |             |            |                   |     |          |           |  |    |    |    |    |    |    |    |    |    |    | -  | -  | -  | 13 | -  | 11 | -  | 9      | 8        | 7                                   | 6  | 5  | 4  | -  | 2  | 1  |
| MX123 CONN ASSY 73 CKT BLU OPT9 KEY C/40 | 345666333            | C-HSG-C9          | G-CAP-9-P   | TPA-C9 | RS          | LS         | MAL               | CPA | MSEAL    | RSEAL     | -  | 71 | -  | 69 | -  | -  | -  | 65 | 64 | -  | -  | 61 | 60 | -  | 58 | -  | -  | -  | 54     | -        |                                     |    |    |    |    |    |    |
|  |                      |                   |             |        |             |            |                   |     |          |           | -  | -  | 50 | 49 | -  | -  | -  | 45 | -  | 43 | 42 | 41 | -  | -  | 38 | 37 | 36 | 35 | -      | -        |                                     |    |    |    |    |    |    |
|  |                      |                   |             |        |             |            |                   |     |          |           |  |    |    |    |    |    |    |    |    |    |    | -  | 31 | -  | 29 | 28 | -  | -  | -      | 24       | 23                                  | -  | -  | 20 | -  | -  | 17 |
|  |                      |                   |             |        |             |            |                   |     |          |           |  |    |    |    |    |    |    |    |    |    |    | 16 | -  | -  | 13 | 12 | 11 | -  | -      | 8        | 7                                   | -  | -  | -  | -  | 2  | 1  |





| ASSEMBLY DESCRIPTION                     | ASSEMBLY PART NUMBER | CONNECTOR HOUSING | GROMMET CAP | TPA    | RIGHT SLIDE | LEFT SLIDE | MATE ASSIST LEVER | CPA | MAT SEAL | RING SEAL | BLOCKED TERMINALS  |    |    |    |    |    |    |    |    |    |    |    |    |    |    |    |    |    |    |          | STATUS   | COMMENTS  | INTEGRAL COMPONENTS SOLD SEPARATELY |
|--|----------------------|-------------------|-------------|--------|-------------|------------|-------------------|-----|----------|-----------|--|----|----|----|----|----|----|----|----|----|----|----|----|----|----|----|----|----|----|----------|----------|-----------|-------------------------------------|
|  |                      |                   |             |        |             |            |                   |     |          |           | CAVITY WITH A NUMBER INDICATES BLOCKED TERMINAL POSITION |    |    |    |    |    |    |    |    |    |    |    |    |    |    |    |    |    |    |          |          |           | DRESS COVER                         |
|  |                      |                   |             |        |             |            |                   |     |          |           | CAVITY WITHOUT A NUMBER INDICATES OPEN TERMINAL POSITION |    |    |    |    |    |    |    |    |    |    |    |    |    |    |    |    |    |    |          |          |           |                                     |
| MX123 CONN ASSY 73 CKT GRY OPT0 KEY B/23 | 345666463            | C-HSG-B0          | G-CAP-0-P   | TPA-B0 | RS          | LS         | MAL               | CPA | MSEAL    | RSEAL     | -  | 71 | 70 | 69 | -  | -  | 66 | 65 | 64 | 63 | -  | -  | 60 | 59 | 58 | 57 | 56 | -  | 54 | 53       | SALEABLE |           | 345650003                           |
|  |                      |                   |             |        |             |            |                   |     |          |           | -  | 51 | 50 | 49 | -  | -  | -  | 45 | 44 | -  | 42 | 41 | -  | 39 | 38 | 37 | 36 | 35 | 34 | 33       |          |           |                                     |
|  |                      |                   |             |        |             |            |                   |     |          |           |  |    |    |    | 32 | 31 | -  | 29 | 28 | 27 | 26 | 25 | 24 | 23 | 22 | 21 | -  | -  | -  | 17       |          |           |                                     |
|  |                      |                   |             |        |             |            |                   |     |          |           |  |    |    |    | -  | -  | -  | 13 | 12 | 11 | 10 | 9  | -  | 7  | 6  | 5  | -  | 3  | -  | 1        |          |           |                                     |
| MX123 CONN ASSY 73 CKT BLU OPT9 KEY C/40 | 345666473            | C-HSG-C9          | G-CAP-9-P   | TPA-C9 | RS          | LS         | MAL               | CPA | MSEAL    | RSEAL     | 72   | 71 | -  | -  | 68 | -  | -  | 65 | -  | 63 | -  | 61 | -  | 59 | 58 | -  | 56 | -  | -  | 53       | SALEABLE |           | 345650003                           |
|  |                      |                   |             |        |             |            |                   |     |          |           | -  | -  | -  | 49 | -  | 47 | -  | -  | -  | 43 | -  | 41 | 40 | 39 | 38 | -  | 36 | -  | -  | -        |          |           |                                     |
|  |                      |                   |             |        |             |            |                   |     |          |           |  |    |    |    | -  | 31 | 30 | 29 | -  | -  | -  | 25 | 24 | 23 | 22 | 21 | 20 | -  | -  | -        |          |           |                                     |
|  |                      |                   |             |        |             |            |                   |     |          |           |  |    |    |    | -  | -  | -  | -  | -  | -  | -  | -  | -  | -  | 6  | 5  | 4  | 3  | 2  | 1        |          |           |                                     |
| MX123 CONN ASSY 73 CKT BLK OPT9 KEY A/52 | 345666483            | C-HSG-A9          | G-CAP-9-P   | TPA-A9 | RS          | LS         | MAL               | CPA | MSEAL    | RSEAL     | -  | -  | -  | -  | -  | 67 | -  | -  | -  | -  | 62 | -  | -  | 59 | 58 | -  | -  | 55 | -  | -        | SALEABLE |           | 345650003                           |
|  |                      |                   |             |        |             |            |                   |     |          |           | -  | -  | -  | -  | -  | 47 | -  | -  | -  | -  | 42 | 41 | -  | -  | -  | -  | -  | 35 | -  | -        |          |           |                                     |
|  |                      |                   |             |        |             |            |                   |     |          |           |  |    |    |    | -  | -  | -  | -  | -  | 27 | -  | -  | 24 | -  | -  | -  | -  | 19 | 18 | 17       |          |           |                                     |
|  |                      |                   |             |        |             |            |                   |     |          |           |  |    |    |    | 16 | -  | -  | -  | -  | 11 | 10 | -  | 8  | -  | -  | -  | 4  | 3  | -  | 1        |          |           |                                     |
| MX123 CONN ASSY 73 CKT GRY OPT9 KEY B/22 | 345666493            | C-HSG-B9          | G-CAP-9-P   | TPA-B9 | RS          | LS         | MAL               | CPA | MSEAL    | RSEAL     | -  | 71 | -  | 69 | 68 | 67 | 66 | 65 | 64 | 63 | -  | -  | 60 | 59 | 58 | 57 | 56 | -  | 54 | 53       | SALEABLE |           | 345650003                           |
|  |                      |                   |             |        |             |            |                   |     |          |           | -  | 51 | 50 | 49 | -  | -  | -  | 45 | 44 | -  | 42 | -  | -  | 39 | 38 | 37 | 36 | 35 | 34 | 33       |          |           |                                     |
|  |                      |                   |             |        |             |            |                   |     |          |           |  |    |    |    | 32 | 31 | -  | 29 | 28 | 27 | 26 | 25 | 24 | 23 | 22 | 21 | -  | -  | -  | 17       |          |           |                                     |
|  |                      |                   |             |        |             |            |                   |     |          |           |  |    |    |    | -  | -  | -  | 13 | 12 | 11 | 10 | 9  | 8  | 7  | 6  | 5  | -  | 3  | -  | 1        |          |           |                                     |
| MX123 CONN ASSY 73 CKT BLK OPT0 KEY A/33 | 345666503            | C-HSG-A0          | G-CAP-0-P   | TPA-A0 | RS          | LS         | MAL               | CPA | MSEAL    | RSEAL     | 72   | -  | 70 | -  | -  | 67 | 66 | -  | -  | -  | 62 | -  | 60 | -  | -  | 57 | -  | 55 | 54 | 53       | SALEABLE |           | 345650003                           |
|  |                      |                   |             |        |             |            |                   |     |          |           | -  | 51 | -  | -  | 48 | -  | 46 | 45 | 44 | 43 | 42 | -  | 40 | 39 | -  | -  | -  | 35 | -  | -        |          |           |                                     |
|  |                      |                   |             |        |             |            |                   |     |          |           |  |    |    |    | -  | -  | -  | -  | -  | 26 | 25 | -  | -  | 22 | 21 | -  | -  | -  | -  |          |          |           |                                     |
|  |                      |                   |             |        |             |            |                   |     |          |           |  |    |    |    | -  | 15 | 14 | -  | -  | -  | -  | -  | 8  | 7  | 6  | 5  | 4  | 3  | -  | -        |          |           |                                     |
| MX123 CONN ASSY 73 CKT GRY OPT0 KEY B/23 | 345666513            | C-HSG-B0          | G-CAP-0-P   | TPA-B0 | RS          | LS         | MAL               | CPA | MSEAL    | RSEAL     | -  | 71 | 70 | 69 | -  | -  | 66 | 65 | 64 | 63 | -  | -  | 60 | 59 | 58 | 57 | 56 | -  | -  | 53       | SALEABLE |           | 345650003                           |
|  |                      |                   |             |        |             |            |                   |     |          |           | -  | 51 | 50 | 49 | 48 | 47 | -  | 45 | 44 | -  | 42 | 41 | -  | 39 | 38 | 37 | 36 | 35 | 34 | 33       |          |           |                                     |
|  |                      |                   |             |        |             |            |                   |     |          |           |  |    |    |    | 32 | 31 | 30 | 29 | 28 | 27 | 26 | 25 | 24 | 23 | 22 | 21 | -  | -  | -  | -        |          |           |                                     |
|  |                      |                   |             |        |             |            |                   |     |          |           |  |    |    |    | -  | -  | -  | 13 | 12 | 11 | 10 | 9  | -  | 7  | 6  | 5  | -  | -  | -  | 1        |          |           |                                     |
| MX123 CONN ASSY 73 CKT GRY OPT0 KEY B/25 | 345666523            | C-HSG-B0          | G-CAP-0-P   | TPA-B0 | RS          | LS         | MAL               | CPA | MSEAL    | RSEAL     | 72   | 71 | 70 | 69 | -  | -  | 66 | 65 | -  | 63 | 62 | 61 | 60 | -  | -  | 57 | 56 | 55 | -  | 53       | SALEABLE |           | 345650003                           |
|  |                      |                   |             |        |             |            |                   |     |          |           | 52   | 51 | 50 | 49 | 48 | 47 | -  | 44 | 43 | 42 | 41 | 40 | -  | -  | 37 | 36 | 35 | 34 | 33 |          |          |           |                                     |
|  |                      |                   |             |        |             |            |                   |     |          |           |  |    |    |    | -  | 31 | -  | -  | -  | -  | 26 | 25 | 24 | -  | -  | 21 | 20 | 19 | 18 | -        |          |           |                                     |
|  |                      |                   |             |        |             |            |                   |     |          |           |  |    |    |    | 16 | -  | 14 | -  | 12 | -  | -  | 9  | 8  | 7  | -  | 5  | 4  | 3  | 2  | -        |          |           |                                     |
| MX123 CONN ASSY 73 CKT GRY OPT9 KEY B/15 | 345666533            | C-HSG-B9          | G-CAP-9-P   | TPA-B9 | RS          | LS         | MAL               | CPA | MSEAL    | RSEAL     | 72   | 71 | 70 | 69 | -  | -  | 66 | 65 | -  | 63 | 62 | 61 | 60 | 59 | 58 | 57 | 56 | 55 | 54 | 53       | SALEABLE |           | 345650003                           |
|  |                      |                   |             |        |             |            |                   |     |          |           | 52   | 51 | 50 | 49 | 48 | 47 | -  | 44 | 43 | 42 | 41 | 40 | 39 | 38 | 37 | 36 | 35 | 34 | 33 |          |          |           |                                     |
|  |                      |                   |             |        |             |            |                   |     |          |           |  |    |    |    | -  | 31 | -  | -  | -  | -  | 26 | 25 | 24 | 23 | 22 | 21 | 20 | 19 | 18 | -        |          |           |                                     |
|  |                      |                   |             |        |             |            |                   |     |          |           |  |    |    |    | 16 | 15 | 14 | 13 | 12 | 11 | -  | 9  | 8  | -  | 6  | 5  | 4  | 3  | 2  | -        |          |           |                                     |
| MX123 CONN ASSY 73 CKT BLK OPT9 KEY A/53 | 345666543            | C-HSG-A9          | G-CAP-9-P   | TPA-A9 | RS          | LS         | MAL               | CPA | MSEAL    | RSEAL     | -  | -  | -  | -  | -  | 67 | -  | -  | -  | -  | 62 | -  | -  | 59 | 58 | -  | -  | 55 | -  | -        | SALEABLE |           | 345650003                           |
|  |                      |                   |             |        |             |            |                   |     |          |           | -  | -  | -  | -  | -  | 47 | -  | -  | -  | -  | 42 | 41 | -  | -  | -  | -  | -  | 35 | -  | -        |          |           |                                     |
|  |                      |                   |             |        |             |            |                   |     |          |           |  |    |    |    | -  | -  | -  | -  | -  | 27 | -  | -  | 24 | -  | -  | -  | -  | 19 | 18 | 17       |          |           |                                     |
|  |                      |                   |             |        |             |            |                   |     |          |           |  |    |    |    | 16 | -  | -  | -  | -  | 11 | 10 | -  | 8  | -  | -  | -  | -  | 3  | -  | 1        |          |           |                                     |
| MX123 CONN ASSY 73 CKT BLK OPT9 KEY A/46 | 345666553            | C-HSG-A9          | G-CAP-9-P   | TPA-A9 | RS          | LS         | MAL               | CPA | MSEAL    | RSEAL     | -  | -  | -  | -  | 68 | -  | 66 | 65 | -  | -  | 62 | 61 | -  | -  | -  | -  | -  | -  | -  | SALEABLE |          | 345650003 |                                     |
|  |                      |                   |             |        |             |            |                   |     |          |           | -  | -  | -  | -  | 48 | -  | 46 | -  | -  | -  | -  | -  | -  | 38 | -  | -  | 35 | -  | 33 |          |          |           |                                     |
|  |                      |                   |             |        |             |            |                   |     |          |           |  |    |    |    | -  | 31 | -  | 29 | -  | 27 | -  | 25 | 24 | 23 | 22 | 21 | 20 | -  | -  |          |          |           | -                                   |
|  |                      |                   |             |        |             |            |                   |     |          |           |  |    |    |    | 16 | -  | -  | 13 | 12 | 11 | -  | 9  | -  | 7  | 6  | -  | 4  | -  | -  |          |          |           | -                                   |
| MX123 CONN ASSY 73 CKT BLU OPT9 KEY C/41 | 345666563            | C-HSG-C9          | G-CAP-9-P   | TPA-C9 | RS          | LS         | MAL               | CPA | MSEAL    | RSEAL     | -  | 71 | -  | 69 | -  | 67 | -  | 65 | 64 | -  | -  | 61 | 60 | -  | -  | -  | 56 | 55 | 54 | -        | SALEABLE |           | 345650003                           |
|  |                      |                   |             |        |             |            |                   |     |          |           | -  | -  | 50 | 49 | -  | -  | -  | 45 | -  | 43 | 42 | 41 | -  | -  | 38 | 37 | 36 | 35 | -  | -        |          |           |                                     |
|  |                      |                   |             |        |             |            |                   |     |          |           |  |    |    |    | -  | 31 | -  | 29 | 28 | -  | -  | -  | 24 | -  | -  | -  | -  | 19 | 18 | -        |          |           |                                     |
|  |                      |                   |             |        |             |            |                   |     |          |           |  |    |    |    | 16 | -  | -  | -  | 12 | 11 | -  | 8  | -  | -  | -  | -  | 3  | 2  | -  |          |          |           |                                     |
| MX123 CONN ASSY 73 CKT BLK OPT9 KEY A/47 | 345666573            | C-HSG-A9          | G-CAP-9-P   | TPA-A9 | RS          | LS         | MAL               | CPA | MSEAL    | RSEAL     | -  | -  | -  | -  | 68 | -  | 66 | 65 | -  | -  | 62 | 61 | -  | -  | -  | -  | -  | -  | -  | SALEABLE |          | 345650003 |                                     |
|  |                      |                   |             |        |             |            |                   |     |          |           | -  | -  | -  | -  | 48 | -  | 46 | -  | -  | -  | -  | -  | -  | 38 | -  | -  | 35 | -  | 33 |          |          |           |                                     |
|  |                      |                   |             |        |             |            |                   |     |          |           |  |    |    |    | -  | 31 | -  | 29 | -  | 27 | -  | 25 | 24 | -  | 22 | -  | 20 | -  | -  |          |          |           | 17                                  |
|  |                      |                   |             |        |             |            |                   |     |          |           |  |    |    |    | -  | -  | -  | 13 | -  | 11 | -  | 9  | -  | 7  | 6  | -  | 4  | -  | 2  |          |          |           | 1                                   |



| ASSEMBLY DESCRIPTION                     | ASSEMBLY PART NUMBER | CONNECTOR HOUSING | GROMMET CAP | TPA    | RIGHT SLIDE | LEFT SLIDE | MATE ASSIST LEVER | CPA | MAT SEAL | RING SEAL | BLOCKED TERMINALS  |    |    |    |    |    |    |    |    |    |    |    |    |    |    |    |    |    |          |          | STATUS    | COMMENTS  | INTEGRAL COMPONENTS SOLD SEPARATELY |    |
|--|----------------------|-------------------|-------------|--------|-------------|------------|-------------------|-----|----------|-----------|--|----|----|----|----|----|----|----|----|----|----|----|----|----|----|----|----|----|----------|----------|-----------|-----------|-------------------------------------|----|
|  |                      |                   |             |        |             |            |                   |     |          |           | CAVITY WITH A NUMBER INDICATES BLOCKED TERMINAL POSITION |    |    |    |    |    |    |    |    |    |    |    |    |    |    |    |    |    |          |          |           |           | DRESS COVER                         |    |
|  |                      |                   |             |        |             |            |                   |     |          |           | CAVITY WITHOUT A NUMBER INDICATES OPEN TERMINAL POSITION |    |    |    |    |    |    |    |    |    |    |    |    |    |    |    |    |    |          |          |           |           |                                     |    |
| MX123 CONN ASSY 73 CKT BLU OPT9 KEY C/35 | 345666743            | C-HSG-C9          | G-CAP-9-P   | TPA-C9 | RS          | LS         | MAL               | CPA | MSEAL    | RSEAL     | 72   | -  | 70 | -  | -  | -  | 66 | -  | -  | -  | 62 | -  | -  | 59 | 58 | -  | 56 | 55 | 54       | 53       | SALEABLE  |           | 345650003                           |    |
|  |                      |                   |             |        |             |            |                   |     |          |           | -  | -  | -  | 49 | -  | 47 | -  | -  | 44 | -  | 42 | -  | 40 | 39 | 38 | -  | 36 | 35 | -        | -        |           |           |                                     |    |
|  |                      |                   |             |        |             |            |                   |     |          |           |  |    |    |    | 32 | 31 | 30 | 29 | -  | -  | 26 | -  | 24 | 23 | 22 | 21 | 20 | 19 | 18       | 17       |           |           |                                     |    |
| MX123 CONN ASSY 73 CKT BLK OPT9 KEY A/49 | 345666753            | C-HSG-A9          | G-CAP-9-P   | TPA-A9 | RS          | LS         | MAL               | CPA | MSEAL    | RSEAL     | -  | -  | -  | -  | -  | 67 | -  | -  | -  | 63 | 62 | -  | -  | 59 | 58 | -  | -  | 55 | -        | -        | SALEABLE  |           | 345650003                           |    |
|  |                      |                   |             |        |             |            |                   |     |          |           | -  | -  | -  | -  | -  | 47 | -  | -  | -  | -  | 41 | -  | -  | -  | -  | -  | 35 | -  | -        |          |           |           |                                     |    |
|  |                      |                   |             |        |             |            |                   |     |          |           |  |    |    |    | 32 | -  | -  | -  | -  | 27 | 26 | 25 | 24 | -  | -  | -  | -  | 19 | 18       | 17       |           |           |                                     |    |
| MX123 CONN ASSY 73 CKT GRY OPT9 KEY B/26 | 345666763            | C-HSG-B9          | G-CAP-9-P   | TPA-B9 | RS          | LS         | MAL               | CPA | MSEAL    | RSEAL     | -  | 71 | 70 | 69 | -  | 67 | 66 | 65 | 64 | 63 | -  | -  | 60 | 59 | 58 | 57 | 56 | -  | 54       | 53       | SALEABLE  |           | 345650003                           |    |
|  |                      |                   |             |        |             |            |                   |     |          |           | -  | 51 | -  | -  | -  | 48 | 47 | -  | -  | 44 | -  | 42 | 41 | -  | 39 | 38 | 37 | 36 | 35       | -        |           |           |                                     | 33 |
|  |                      |                   |             |        |             |            |                   |     |          |           |  |    |    |    | 32 | 31 | 30 | -  | 28 | 27 | 26 | 25 | 24 | 23 | -  | -  | -  | -  | -        | 17       |           |           |                                     |    |
| MX123 CONN ASSY 73 CKT BLU OPT0 KEY C/40 | 345666773            | C-HSG-C0          | G-CAP-0-P   | TPA-C0 | RS          | LS         | MAL               | CPA | MSEAL    | RSEAL     | -  | 71 | -  | 69 | -  | 67 | -  | 65 | 64 | -  | -  | 61 | 60 | -  | -  | -  | 56 | 55 | 54       | -        | SALEABLE  |           | 345650003                           |    |
|  |                      |                   |             |        |             |            |                   |     |          |           | -  | -  | 50 | -  | -  | -  | -  | 45 | -  | 43 | -  | 41 | -  | -  | 38 | 37 | 36 | 35 | -        | -        |           |           |                                     |    |
|  |                      |                   |             |        |             |            |                   |     |          |           |  |    |    |    | -  | 31 | -  | 29 | 28 | 27 | -  | -  | 24 | 23 | -  | -  | 20 | -  | -        | -        |           |           |                                     |    |
| MX123 CONN ASSY 73 CKT GRY OPT0 KEY B/37 | 345666783            | C-HSG-B0          | G-CAP-0-P   | TPA-B0 | RS          | LS         | MAL               | CPA | MSEAL    | RSEAL     | -  | 71 | -  | 69 | -  | 67 | -  | 65 | 64 | 63 | 62 | 61 | -  | -  | 58 | 57 | 56 | -  | -        | -        | SALEABLE  |           | 345650003                           |    |
|  |                      |                   |             |        |             |            |                   |     |          |           | -  | 51 | -  | 49 | -  | 47 | -  | 45 | 44 | -  | 42 | 41 | -  | -  | 38 | 37 | 36 | -  | -        | -        |           |           |                                     |    |
|  |                      |                   |             |        |             |            |                   |     |          |           |  |    |    |    | -  | -  | -  | -  | -  | -  | -  | -  | -  | 22 | 21 | 20 | 19 | 18 | -        |          |           |           |                                     |    |
| MX123 CONN ASSY 73 CKT GRY OPT0 KEY B/42 | 345666793            | C-HSG-B0          | G-CAP-0-P   | TPA-B0 | RS          | LS         | MAL               | CPA | MSEAL    | RSEAL     | -  | 71 | -  | 69 | -  | 67 | -  | 65 | -  | -  | 62 | 61 | -  | -  | 58 | 57 | 56 | -  | -        | -        | SALEABLE  |           | 345650003                           |    |
|  |                      |                   |             |        |             |            |                   |     |          |           | -  | 51 | -  | 49 | -  | 47 | -  | 45 | 44 | -  | 42 | 41 | -  | -  | 38 | 37 | 36 | -  | -        | -        |           |           |                                     |    |
|  |                      |                   |             |        |             |            |                   |     |          |           |  |    |    |    | -  | -  | -  | -  | -  | -  | -  | -  | -  | 22 | 21 | -  | 19 | 18 | -        |          |           |           |                                     |    |
| MX123 CONN ASSY 73 CKT GRY OPT0 KEY B/55 | 345666803            | C-HSG-B0          | G-CAP-0-P   | TPA-B0 | RS          | LS         | MAL               | CPA | MSEAL    | RSEAL     | 72   | 71 | 70 | 69 | 68 | 67 | 66 | -  | 64 | 63 | 62 | 61 | 60 | -  | 58 | -  | 56 | -  | 54       | -        | SALEABLE  |           | 345650003                           |    |
|  |                      |                   |             |        |             |            |                   |     |          |           | 52   | 51 | 50 | -  | -  | 47 | -  | 45 | -  | 43 | 42 | 41 | 40 | -  | 38 | -  | 36 | -  | 34       | -        |           |           |                                     |    |
|  |                      |                   |             |        |             |            |                   |     |          |           |  |    |    |    | 32 | 31 | 30 | -  | -  | 27 | 26 | 25 | 24 | -  | 22 | -  | 20 | 19 | 18       | 17       |           |           |                                     |    |
| MX123 CONN ASSY 73 CKT BLK OPT9 KEY A/55 | 345666813            | C-HSG-A9          | G-CAP-9-P   | TPA-A9 | RS          | LS         | MAL               | CPA | MSEAL    | RSEAL     | 72   | -  | -  | -  | -  | -  | 66 | -  | -  | -  | -  | -  | -  | 59 | -  | -  | -  | -  | -        | SALEABLE |           | 345650003 |                                     |    |
|  |                      |                   |             |        |             |            |                   |     |          |           | -  | -  | -  | -  | -  | -  | 46 | -  | -  | -  | -  | -  | -  | 38 | -  | -  | 35 | -  | 33       |          |           |           |                                     |    |
|  |                      |                   |             |        |             |            |                   |     |          |           |  |    |    |    | -  | 31 | -  | -  | -  | -  | -  | -  | -  | 23 | 22 | -  | 20 | 19 | -        |          |           |           | 17                                  |    |
| MX123 CONN ASSY 73 CKT BLU OPT9 KEY C/45 | 345666823            | C-HSG-C9          | G-CAP-9-P   | TPA-C9 | RS          | LS         | MAL               | CPA | MSEAL    | RSEAL     | -  | 71 | -  | 69 | -  | -  | -  | 65 | 64 | -  | -  | 61 | 60 | -  | 58 | -  | 56 | 55 | 54       | -        | SALEABLE  |           | 345650003                           |    |
|  |                      |                   |             |        |             |            |                   |     |          |           | -  | -  | 50 | -  | -  | -  | -  | 45 | -  | 43 | 42 | -  | -  | 38 | -  | -  | -  | -  | -        |          |           |           |                                     |    |
|  |                      |                   |             |        |             |            |                   |     |          |           |  |    |    |    | -  | 31 | -  | 29 | 28 | -  | -  | -  | 23 | -  | -  | 19 | 18 | 17 |          |          |           |           |                                     |    |
| MX123 CONN ASSY 73 CKT BLK OPT0 KEY A/36 | 345666833            | C-HSG-A0          | G-CAP-0-P   | TPA-A0 | RS          | LS         | MAL               | CPA | MSEAL    | RSEAL     | 72   | 71 | -  | -  | 68 | 67 | 66 | 65 | 64 | -  | 62 | 61 | -  | -  | -  | -  | -  | -  | SALEABLE |          | 345650003 |           |                                     |    |
|  |                      |                   |             |        |             |            |                   |     |          |           | -  | -  | 50 | -  | -  | -  | 46 | 45 | -  | -  | -  | -  | 39 | 38 | -  | -  | 35 | -  |          |          |           | -         |                                     |    |
|  |                      |                   |             |        |             |            |                   |     |          |           |  |    |    |    | -  | 31 | 30 | 29 | -  | 27 | -  | 25 | 24 | 23 | 22 | 21 | 20 | -  |          |          |           | -         | 17                                  |    |
| MX123 CONN ASSY 73 CKT BLK OPT0 KEY A/54 | 345666843            | C-HSG-A0          | G-CAP-0-P   | TPA-A0 | RS          | LS         | MAL               | CPA | MSEAL    | RSEAL     | -  | -  | -  | -  | -  | 67 | -  | -  | -  | -  | 62 | -  | -  | 59 | 58 | -  | -  | 55 | -        | -        | SALEABLE  |           | 345650003                           |    |
|  |                      |                   |             |        |             |            |                   |     |          |           | -  | -  | -  | -  | -  | 47 | -  | -  | -  | -  | 42 | 41 | -  | -  | -  | -  | 35 | -  | -        |          |           |           |                                     |    |
|  |                      |                   |             |        |             |            |                   |     |          |           |  |    |    |    | -  | -  | -  | -  | -  | 27 | -  | 24 | -  | -  | -  | 19 | 18 | -  |          |          |           |           |                                     |    |
| MX123 CONN ASSY 73 CKT BLU OPT0 KEY C/43 | 345666853            | C-HSG-C0          | G-CAP-0-P   | TPA-C0 | RS          | LS         | MAL               | CPA | MSEAL    | RSEAL     | 72   | 71 | 70 | -  | 68 | -  | -  | 65 | -  | 63 | -  | -  | -  | 59 | 58 | -  | 56 | -  | -        | 53       | SALEABLE  |           | 345650003                           |    |
|  |                      |                   |             |        |             |            |                   |     |          |           | -  | -  | -  | -  | -  | 47 | -  | -  | -  | 43 | -  | -  | 40 | 39 | 38 | -  | 36 | -  | -        |          |           |           |                                     |    |
|  |                      |                   |             |        |             |            |                   |     |          |           |  |    |    |    | -  | 31 | 30 | 29 | -  | -  | -  | -  | 24 | 23 | 22 | 21 | 20 | -  | -        | -        |           |           |                                     |    |

| ASSEMBLY DESCRIPTION                     | ASSEMBLY PART NUMBER | CONNECTOR HOUSING | GROMMET CAP | TPA    | RIGHT SLIDE | LEFT SLIDE | MATE ASSIST LEVER | CPA | MAT SEAL | RING SEAL | BLOCKED TERMINALS  |    |    |    |    |    |    |    |    |    |    |    |    |    |    |    |    |    | STATUS | COMMENTS | INTEGRAL COMPONENTS SOLD SEPARATELY |    |    |    |    |    |    |    |    |    |    |    |
|--|----------------------|-------------------|-------------|--------|-------------|------------|-------------------|-----|----------|-----------|--|----|----|----|----|----|----|----|----|----|----|----|----|----|----|----|----|----|--------|----------|-------------------------------------|----|----|----|----|----|----|----|----|----|----|----|
|  |                      |                   |             |        |             |            |                   |     |          |           | CAVITY WITH A NUMBER INDICATES BLOCKED TERMINAL POSITION |    |    |    |    |    |    |    |    |    |    |    |    |    |    |    |    |    |        |          | DRESS COVER                         |    |    |    |    |    |    |    |    |    |    |    |
|  |                      |                   |             |        |             |            |                   |     |          |           | CAVITY WITHOUT A NUMBER INDICATES OPEN TERMINAL POSITION |    |    |    |    |    |    |    |    |    |    |    |    |    |    |    |    |    |        |          |                                     |    |    |    |    |    |    |    |    |    |    |    |
| MX123 CONN ASSY 73 CKT BLK OPT0 KEY A/54 | 345666863            | C-HSG-A0          | G-CAP-0-P   | TPA-A0 | RS          | LS         | MAL               | CPA | MSEAL    | RSEAL     | -  | -  | -  | -  | -  | 67 | -  | -  | -  | -  | -  | -  | -  | -  | -  | 59 | 58 | -  | -      | 55       | -                                   | -  |    |    |    |    |    |    |    |    |    |    |
|  |                      |                   |             |        |             |            |                   |     |          |           | -  | -  | -  | -  | -  | 47 | -  | -  | -  | -  | -  | -  | -  | 41 | -  | -  | -  | -  | -      | -        | -                                   | -  | -  | -  | -  | -  | 35 | -  | -  |    |    |    |
|  |                      |                   |             |        |             |            |                   |     |          |           |  |    |    |    |    |    |    |    |    |    |    |    |    |    |    | -  | -  | -  | -      | -        | 27                                  | -  | -  | 24 | -  | -  | -  | -  | -  | 19 | 18 | 17 |
|  |                      |                   |             |        |             |            |                   |     |          |           |  |    |    |    |    |    |    |    |    |    |    |    |    |    |    | 16 | -  | -  | -      | -        | 11                                  | 10 | -  | 8  | -  | -  | -  | -  | -  | 3  | -  | 1  |
| MX123 CONN ASSY 73 CKT GRY OPT9 KEY B/36 | 345666873            | C-HSG-B9          | G-CAP-9-P   | TPA-B9 | RS          | LS         | MAL               | CPA | MSEAL    | RSEAL     | -  | 71 | 70 | 69 | -  | -  | 66 | 65 | 64 | -  | -  | -  | -  | -  | -  | 58 | 57 | 56 | -      | 54       | -                                   |    |    |    |    |    |    |    |    |    |    |    |
|  |                      |                   |             |        |             |            |                   |     |          |           | -  | 51 | 50 | 49 | -  | -  | -  | 45 | -  | -  | 42 | -  | -  | 39 | -  | -  | -  | -  | -      | -        | -                                   | -  | -  | -  | 34 | 33 |    |    |    |    |    |    |
|  |                      |                   |             |        |             |            |                   |     |          |           |  |    |    |    |    |    |    |    |    |    |    |    |    |    |    | 32 | 31 | -  | 29     | 28       | -                                   | 26 | 25 | 24 | 23 | 22 | 21 | -  | -  | -  | -  | -  |
|  |                      |                   |             |        |             |            |                   |     |          |           |  |    |    |    |    |    |    |    |    |    |    |    |    |    |    | -  | -  | -  | 13     | 12       | -                                   | 10 | 9  | -  | 7  | 6  | 5  | -  | 3  | 2  | -  |    |
| MX123 CONN ASSY 73 CKT BLK OPT9 KEY A/37 | 345666883            | C-HSG-A9          | G-CAP-9-P   | TPA-A9 | RS          | LS         | MAL               | CPA | MSEAL    | RSEAL     | -  | 71 | -  | 69 | 68 | -  | 66 | 65 | 64 | -  | 62 | 61 | -  | -  | -  | -  | -  | -  | 54     | 53       |                                     |    |    |    |    |    |    |    |    |    |    |    |
|  |                      |                   |             |        |             |            |                   |     |          |           | -  | -  | 50 | 49 | -  | -  | -  | 45 | 44 | -  | -  | 41 | -  | -  | -  | -  | -  | -  | -      | -        | -                                   | -  | -  | 34 | 33 |    |    |    |    |    |    |    |
|  |                      |                   |             |        |             |            |                   |     |          |           |  |    |    |    |    |    |    |    |    |    |    |    |    |    |    | 32 | 31 | 30 | 29     | -        | -                                   | 26 | 25 | 24 | 23 | -  | -  | -  | 20 | 19 | -  | -  |
|  |                      |                   |             |        |             |            |                   |     |          |           |  |    |    |    |    |    |    |    |    |    |    |    |    |    |    | 16 | 15 | 14 | 13     | -        | -                                   | 10 | -  | 8  | -  | 6  | -  | 4  | 3  | -  | -  |    |
| MX123 CONN ASSY 73 CKT GRY OPT0 KEY B/66 | 345666893            | C-HSG-B0          | G-CAP-0-P   | TPA-B0 | RS          | LS         | MAL               | CPA | MSEAL    | RSEAL     | -  | -  | -  | -  | -  | -  | -  | -  | -  | -  | -  | -  | -  | -  | -  | 58 | -  | -  | -      | 54       | 53                                  |    |    |    |    |    |    |    |    |    |    |    |
|  |                      |                   |             |        |             |            |                   |     |          |           |  |    |    |    |    |    |    |    |    |    |    |    |    |    |    | -  | -  | -  | -      | -        | -                                   | 42 | -  | -  | -  | -  | -  | -  | -  | -  | -  | -  |
|  |                      |                   |             |        |             |            |                   |     |          |           |  |    |    |    |    |    |    |    |    |    |    |    |    |    |    | -  | -  | -  | -      | -        | -                                   | 27 | -  | 25 | -  | -  | -  | -  | -  | -  | -  | -  |
|  |                      |                   |             |        |             |            |                   |     |          |           |  |    |    |    |    |    |    |    |    |    |    |    |    |    |    | -  | -  | -  | -      | -        | -                                   | 10 | -  | -  | -  | -  | -  | -  | -  | -  | -  | -  |
| MX123 CONN ASSY 73 CKT GRY OPT0 KEY B/55 | 345666903            | C-HSG-B0          | G-CAP-0-P   | TPA-B0 | RS          | LS         | MAL               | CPA | MSEAL    | RSEAL     | 72   | 71 | 70 | 69 | 68 | 67 | 66 | 65 | -  | 63 | 62 | 61 | 60 | -  | 58 | -  | 56 | -  | 54     | -        |                                     |    |    |    |    |    |    |    |    |    |    |    |
|  |                      |                   |             |        |             |            |                   |     |          |           | 52   | 51 | 50 | -  | -  | 47 | -  | 45 | 44 | 43 | 42 | 41 | 40 | -  | 38 | -  | 36 | -  | 34     | -        |                                     |    |    |    |    |    |    |    |    |    |    |    |
|  |                      |                   |             |        |             |            |                   |     |          |           |  |    |    |    |    |    |    |    |    |    |    |    |    |    |    | -  | 31 | 30 | -      | 28       | 27                                  | 26 | 25 | 24 | -  | 22 | -  | 20 | 19 | -  | 17 |    |
|  |                      |                   |             |        |             |            |                   |     |          |           |  |    |    |    |    |    |    |    |    |    |    |    |    |    |    | 16 | 15 | 14 | 13     | 12       | 11                                  | 10 | 9  | 8  | -  | 6  | 5  | 4  | 3  | 2  | 1  |    |
| MX123 CONN ASSY 73 CKT BLK OPT9 KEY A/63 | 345666913            | C-HSG-A9          | G-CAP-9-P   | TPA-A9 | RS          | LS         | MAL               | CPA | MSEAL    | RSEAL     | -  | -  | -  | -  | -  | -  | -  | -  | -  | -  | 62 | 61 | -  | -  | -  | -  | -  | -  | -      | 53       |                                     |    |    |    |    |    |    |    |    |    |    |    |
|  |                      |                   |             |        |             |            |                   |     |          |           | -  | -  | -  | -  | -  | -  | -  | -  | -  | -  | -  | -  | -  | 41 | -  | -  | -  | -  | -      | -        | -                                   | -  | -  | -  | 33 |    |    |    |    |    |    |    |
|  |                      |                   |             |        |             |            |                   |     |          |           |  |    |    |    |    |    |    |    |    |    |    |    |    |    |    | -  | -  | -  | -      | -        | -                                   | -  | -  | 24 | -  | -  | -  | -  | 19 | -  | -  |    |
|  |                      |                   |             |        |             |            |                   |     |          |           |  |    |    |    |    |    |    |    |    |    |    |    |    |    |    | -  | -  | -  | -      | -        | -                                   | 10 | -  | 8  | -  | -  | -  | -  | 3  | -  | -  |    |
| MX123 CONN ASSY 73 CKT BLU OPT9 KEY C/56 | 345666923            | C-HSG-C9          | G-CAP-9-P   | TPA-C9 | RS          | LS         | MAL               | CPA | MSEAL    | RSEAL     | -  | -  | -  | -  | 68 | -  | -  | -  | -  | 63 | 62 | -  | -  | 59 | -  | -  | -  | 55 | -      | 53       |                                     |    |    |    |    |    |    |    |    |    |    |    |
|  |                      |                   |             |        |             |            |                   |     |          |           | -  | -  | -  | -  | -  | -  | -  | -  | -  | 43 | 42 | -  | 40 | -  | -  | -  | 36 | 35 | -      | -        |                                     |    |    |    |    |    |    |    |    |    |    |    |
|  |                      |                   |             |        |             |            |                   |     |          |           |  |    |    |    |    |    |    |    |    |    |    |    |    |    |    | -  | -  | -  | -      | -        | -                                   | -  | -  | -  | -  | -  | -  | 20 | 19 | -  | -  |    |
|  |                      |                   |             |        |             |            |                   |     |          |           |  |    |    |    |    |    |    |    |    |    |    |    |    |    |    | -  | -  | -  | -      | -        | -                                   | -  | -  | -  | -  | -  | -  | 4  | 3  | 2  | 1  |    |
| MX123 CONN ASSY 73 CKT GRY OPT9 KEY B/39 | 345666933            | C-HSG-B9          | G-CAP-9-P   | TPA-B9 | RS          | LS         | MAL               | CPA | MSEAL    | RSEAL     | -  | 71 | 70 | 69 | -  | -  | 66 | 65 | 64 | -  | -  | -  | -  | -  | 58 | 57 | 56 | -  | 54     | -        |                                     |    |    |    |    |    |    |    |    |    |    |    |
|  |                      |                   |             |        |             |            |                   |     |          |           | -  | 51 | 50 | 49 | -  | -  | -  | 45 | -  | -  | 42 | -  | -  | 39 | -  | -  | -  | -  | -      | -        | -                                   | -  | -  | 34 | 33 |    |    |    |    |    |    |    |
|  |                      |                   |             |        |             |            |                   |     |          |           |  |    |    |    |    |    |    |    |    |    |    |    |    |    |    | 32 | 31 | -  | 29     | 28       | -                                   | 26 | 25 | 24 | 23 | -  | -  | -  | -  | -  | -  |    |
|  |                      |                   |             |        |             |            |                   |     |          |           |  |    |    |    |    |    |    |    |    |    |    |    |    |    |    | -  | -  | -  | 13     | 12       | -                                   | 10 | 9  | -  | 7  | -  | 5  | -  | 3  | 2  | -  |    |
| MX123 CONN ASSY 73 CKT BLK OPT9 KEY A/51 | 345666943            | C-HSG-A9          | G-CAP-9-P   | TPA-A9 | RS          | LS         | MAL               | CPA | MSEAL    | RSEAL     | -  | -  | -  | -  | -  | 67 | -  | -  | -  | -  | 62 | -  | -  | 59 | 58 | -  | -  | 55 | -      | -        |                                     |    |    |    |    |    |    |    |    |    |    |    |
|  |                      |                   |             |        |             |            |                   |     |          |           | -  | -  | -  | -  | -  | 47 | -  | -  | -  | -  | -  | -  | -  | -  | -  | -  | -  | -  | -      | -        | -                                   | -  | 35 | -  | -  |    |    |    |    |    |    |    |
|  |                      |                   |             |        |             |            |                   |     |          |           |  |    |    |    |    |    |    |    |    |    |    |    |    |    |    | -  | -  | -  | -      | -        | 27                                  | 26 | 25 | 24 | -  | -  | -  | 20 | 19 | 18 | 17 |    |
|  |                      |                   |             |        |             |            |                   |     |          |           |  |    |    |    |    |    |    |    |    |    |    |    |    |    |    | 16 | -  | -  | -      | -        | 11                                  | 10 | 9  | 8  | -  | -  | -  | -  | 4  | 3  | -  | -  |
| MX123 CONN ASSY 73 CKT BLK OPT0 KEY A/52 | 345666953            | C-HSG-A0          | G-CAP-0-P   | TPA-A0 | RS          | LS         | MAL               | CPA | MSEAL    | RSEAL     | -  | -  | -  | -  | 68 | 67 | -  | 65 | -  | -  | 62 | -  | -  | 59 | 58 | -  | -  | 55 | -      | -        |                                     |    |    |    |    |    |    |    |    |    |    |    |
|  |                      |                   |             |        |             |            |                   |     |          |           | -  | -  | -  | -  | 48 | 47 | -  | -  | -  | -  | 42 | 41 | -  | -  | -  | -  | -  | 35 | -      | -        |                                     |    |    |    |    |    |    |    |    |    |    |    |
|  |                      |                   |             |        |             |            |                   |     |          |           |  |    |    |    |    |    |    |    |    |    |    |    |    |    |    | -  | -  | -  | -      | -        | 27                                  | -  | -  | 24 | -  | -  | -  | -  | 19 | 18 | 17 |    |
|  |                      |                   |             |        |             |            |                   |     |          |           |  |    |    |    |    |    |    |    |    |    |    |    |    |    |    | -  | -  | -  | -      | -        | 11                                  | 10 | -  | 8  | -  | -  | -  | -  | 3  | -  | -  |    |
| MX123 CONN ASSY 73 CKT GRY OPT0 KEY B/24 | 345666963            | C-HSG-B0          | G-CAP-0-P   | TPA-B0 | RS          | LS         | MAL               | CPA | MSEAL    | RSEAL     | -  | 71 | -  | 69 | -  | -  | 66 | 65 | 64 | 63 | -  | -  | 60 | 59 | 58 | 57 | 56 | -  | 54     | 53       |                                     |    |    |    |    |    |    |    |    |    |    |    |
|  |                      |                   |             |        |             |            |                   |     |          |           | -  | 51 | 50 | 49 | -  | -  | -  | 45 | 44 | -  | 42 | 41 | -  | 39 | 38 | 37 | 36 | 35 | 34     | 33       |                                     |    |    |    |    |    |    |    |    |    |    |    |
|  |                      |                   |             |        |             |            |                   |     |          |           |  |    |    |    |    |    |    |    |    |    |    |    |    |    |    | 32 | 31 | -  | 29     | 28       | 27                                  | 26 | 25 | 24 | 23 | 22 | 21 | -  | -  | -  | 17 |    |
|  |                      |                   |             |        |             |            |                   |     |          |           |  |    |    |    |    |    |    |    |    |    |    |    |    |    |    | -  | -  | -  | 13     | 12       | 11                                  | 10 | 9  | -  | 7  | 6  | 5  | -  | 3  | -  | 1  |    |
| MX123 CONN ASSY 73 CKT BLU OPT0 KEY C/46 | 345666973            | C-HSG-C0          | G-CAP-0-P   | TPA-C0 | RS          | LS         | MAL               | CPA | MSEAL    | RSEAL     | 72   | -  | -  | -  | 68 | -  | 66 | -  | -  | 63 | -  | -  | -  | 59 | 58 | -  | 56 | -  | -      | 53       |                                     |    |    |    |    |    |    |    |    |    |    |    |
|  |                      |                   |             |        |             |            |                   |     |          |           | -  | -  | -  | -  | -  | -  | -  | -  | -  | 43 | -  | -  | 40 | 39 | 38 | -  | 36 | -  | -      | -        |                                     |    |    |    |    |    |    |    |    |    |    |    |
|  |                      |                   |             |        |             |            |                   |     |          |           |  |    |    |    |    |    |    |    |    |    |    |    |    |    |    | -  | 31 | 30 | 29     | -        | -                                   | -  | -  | 24 | 23 | 22 | 21 | 20 | -  | -  | -  |    |
|  |                      |                   |             |        |             |            |                   |     |          |           |  |    |    |    |    |    |    |    |    |    |    |    |    |    |    | -  | -  | -  | -      | -        | -                                   | -  | -  | -  | -  | -  | -  | 6  | 5  | 4  | 3  | 2  |

| ASSEMBLY DESCRIPTION                     | ASSEMBLY PART NUMBER | CONNECTOR HOUSING | GROMMET CAP | TPA    | RIGHT SLIDE | LEFT SLIDE | MATE ASSIST LEVER | CPA | MAT SEAL | RING SEAL | BLOCKED TERMINALS  |    |    |    |    |    |    |    |    |    |    |    |    |    |    |    |    |    | STATUS | COMMENTS | INTEGRAL COMPONENTS SOLD SEPARATELY |           |           |
|--|----------------------|-------------------|-------------|--------|-------------|------------|-------------------|-----|----------|-----------|--|----|----|----|----|----|----|----|----|----|----|----|----|----|----|----|----|----|--------|----------|-------------------------------------|-----------|-----------|
|  |                      |                   |             |        |             |            |                   |     |          |           | CAVITY WITH A NUMBER INDICATES BLOCKED TERMINAL POSITION<br>CAVITY WITHOUT A NUMBER INDICATES OPEN TERMINAL POSITION |    |    |    |    |    |    |    |    |    |    |    |    |    |    |    |    |    |        |          | DRESS COVER                         |           |           |
|  |                      |                   |             |        |             |            |                   |     |          |           |  |    |    |    |    |    |    |    |    |    |    |    |    |    |    |    |    |    |        |          |                                     |           |           |
| MX123 CONN ASSY 73 CKT BLU OPT0 KEY C/36 | 345666983            | C-HSG-C0          | G-CAP-0-P   | TPA-C0 | RS          | LS         | MAL               | CPA | MSEAL    | RSEAL     | 72   | -  | 70 | -  | 68 | -  | 66 | -  | -  | 63 | -  | 61 | -  | 59 | 58 | -  | 56 | 55 | -      | 53       | SALEABLE                            |           | 345650003 |
|  |                      |                   |             |        |             |            |                   |     |          |           | -  | -  | -  | 49 | -  | -  | -  | -  | -  | 43 | -  | 41 | 40 | 39 | 38 | -  | 36 | 35 | -      | -        |                                     |           |           |
|  |                      |                   |             |        |             |            |                   |     |          |           |  |    |    |    |    |    |    |    |    |    |    | 32 | 31 | 30 | 29 | -  | -  | -  | 25     | 24       |                                     |           |           |
| MX123 CONN ASSY 73 CKT GRY OPT0 KEY B/43 | 345667003            | C-HSG-B0          | G-CAP-0-P   | TPA-B0 | RS          | LS         | MAL               | CPA | MSEAL    | RSEAL     | 72   | 71 | 70 | 69 | 68 | -  | -  | 65 | 64 | 63 | 62 | 61 | 60 | -  | 58 | -  | -  | -  | 54     | -        | SALEABLE                            |           | 345650003 |
|  |                      |                   |             |        |             |            |                   |     |          |           | 52   | 51 | -  | -  | -  | -  | 46 | 45 | 44 | 43 | 42 | 41 | 40 | -  | 38 | -  | -  | -  | 34     | -        |                                     |           |           |
|  |                      |                   |             |        |             |            |                   |     |          |           |  |    |    |    |    |    |    |    |    |    |    | 32 | 31 | 30 | -  | 28 | 27 | 26 | 25     | 24       |                                     |           |           |
| MX123 CONN ASSY 73 CKT BLK OPT9 KEY A/44 | 345667013            | C-HSG-A9          | G-CAP-9-P   | TPA-A9 | RS          | LS         | MAL               | CPA | MSEAL    | RSEAL     | 72   | -  | -  | -  | 68 | 67 | 66 | 65 | -  | -  | -  | -  | -  | -  | -  | -  | -  | -  | -      | SALEABLE |                                     | 345650003 |           |
|  |                      |                   |             |        |             |            |                   |     |          |           | -  | -  | -  | -  | 48 | 47 | 46 | -  | -  | -  | -  | -  | 40 | -  | 38 | -  | -  | 35 | -      |          |                                     |           | 33        |
|  |                      |                   |             |        |             |            |                   |     |          |           |  |    |    |    |    |    |    |    |    |    |    | -  | 31 | 30 | -  | -  | -  | -  | 25     |          |                                     |           | 24        |
| MX123 CONN ASSY 73 CKT BLK OPT0 KEY A/51 | 345667023            | C-HSG-A0          | G-CAP-0-P   | TPA-A0 | RS          | LS         | MAL               | CPA | MSEAL    | RSEAL     | -  | -  | -  | -  | -  | 67 | -  | -  | -  | 63 | 62 | -  | -  | 59 | 58 | -  | -  | 55 | -      | -        | SALEABLE                            |           | 345650003 |
|  |                      |                   |             |        |             |            |                   |     |          |           | -  | -  | -  | -  | -  | 47 | -  | -  | -  | 42 | 41 | -  | -  | -  | -  | -  | 35 | -  | -      |          |                                     |           |           |
|  |                      |                   |             |        |             |            |                   |     |          |           |  |    |    |    |    |    |    |    |    |    |    | 32 | -  | -  | -  | -  | 27 | -  | -      | 24       |                                     |           |           |
| MX123 CONN ASSY 73 CKT BLK OPT0 KEY A/41 | 345667033            | C-HSG-A0          | G-CAP-0-P   | TPA-A0 | RS          | LS         | MAL               | CPA | MSEAL    | RSEAL     | 72   | 71 | -  | -  | 68 | 67 | 66 | -  | 64 | -  | -  | -  | -  | 59 | -  | -  | -  | -  | -      | SALEABLE |                                     | 345650003 |           |
|  |                      |                   |             |        |             |            |                   |     |          |           | -  | -  | 50 | -  | 48 | 47 | 46 | 45 | -  | -  | -  | -  | 40 | 39 | 38 | -  | -  | 35 | -      |          |                                     |           | 33        |
|  |                      |                   |             |        |             |            |                   |     |          |           |  |    |    |    |    |    |    |    |    |    |    | -  | 31 | 30 | -  | -  | -  | -  | 25     |          |                                     |           | 24        |
| MX123 CONN ASSY 73 CKT GRY OPT0 KEY B/24 | 345667043            | C-HSG-B0          | G-CAP-0-P   | TPA-B0 | RS          | LS         | MAL               | CPA | MSEAL    | RSEAL     | -  | 71 | 70 | 69 | -  | -  | 66 | 65 | 64 | -  | -  | -  | -  | -  | 58 | 57 | 56 | -  | 54     | 53       | SALEABLE                            |           | 345650003 |
|  |                      |                   |             |        |             |            |                   |     |          |           | -  | 51 | 50 | 49 | 48 | 47 | -  | 45 | 44 | -  | 42 | -  | -  | 39 | 38 | 37 | 36 | 35 | 34     | 33       |                                     |           |           |
|  |                      |                   |             |        |             |            |                   |     |          |           |  |    |    |    |    |    |    |    |    |    |    | 32 | 31 | 30 | 29 | 28 | -  | 26 | 25     | 24       |                                     |           |           |
| MX123 CONN ASSY 73 CKT BLU OPT0 KEY C/39 | 345667053            | C-HSG-C0          | G-CAP-0-P   | TPA-C0 | RS          | LS         | MAL               | CPA | MSEAL    | RSEAL     | 72   | -  | 70 | -  | 68 | -  | 66 | -  | -  | 63 | -  | -  | -  | 59 | 58 | -  | 56 | 55 | -      | 53       | SALEABLE                            |           | 345650003 |
|  |                      |                   |             |        |             |            |                   |     |          |           | -  | -  | -  | -  | -  | -  | -  | -  | -  | 43 | -  | -  | 40 | 39 | 38 | -  | 36 | 35 | -      | -        |                                     |           |           |
|  |                      |                   |             |        |             |            |                   |     |          |           |  |    |    |    |    |    |    |    |    |    |    | 32 | 31 | 30 | 29 | -  | -  | -  | -      | 24       |                                     |           |           |
| MX123 CONN ASSY 73 CKT BLU OPT0 KEY C/35 | 345667063            | C-HSG-C0          | G-CAP-0-P   | TPA-C0 | RS          | LS         | MAL               | CPA | MSEAL    | RSEAL     | -  | 71 | -  | 69 | -  | -  | -  | 65 | 64 | -  | -  | 61 | 60 | -  | 58 | -  | 56 | 55 | 54     | -        | SALEABLE                            |           | 345650003 |
|  |                      |                   |             |        |             |            |                   |     |          |           | -  | -  | 50 | 49 | -  | -  | -  | 45 | -  | 43 | 42 | 41 | -  | -  | 38 | 37 | 36 | 35 | -      | -        |                                     |           |           |
|  |                      |                   |             |        |             |            |                   |     |          |           |  |    |    |    |    |    |    |    |    |    |    | -  | 31 | -  | 29 | 28 | 27 | -  | -      | 24       |                                     |           |           |
| MX123 CONN ASSY 73 CKT NAT OPT9 KEY F/17 | 345667073            | C-HSG-F9          | G-CAP-9-P   | TPA-F9 | RS          | LS         | MAL               | CPA | MSEAL    | RSEAL     | 72   | 71 | 70 | -  | -  | 67 | 66 | 65 | 64 | 63 | 62 | 61 | 60 | 59 | -  | -  | 56 | 55 | 54     | 53       | SALEABLE                            |           | 345650003 |
|  |                      |                   |             |        |             |            |                   |     |          |           | 52   | 51 | 50 | 49 | 48 | 47 | 46 | 45 | 44 | -  | -  | 41 | 40 | 39 | -  | -  | 36 | 35 | 34     | -        |                                     |           |           |
|  |                      |                   |             |        |             |            |                   |     |          |           |  |    |    |    |    |    |    |    |    |    |    | 32 | 31 | -  | 29 | 28 | 27 | 26 | 25     | 24       |                                     |           |           |
| MX123 CONN ASSY 73 CKT GRY OPT9 KEY B/13 | 345667083            | C-HSG-B9          | G-CAP-9-P   | TPA-B9 | RS          | LS         | MAL               | CPA | MSEAL    | RSEAL     | 72   | 71 | 70 | 69 | 68 | 67 | 66 | 65 | 64 | 63 | 62 | 61 | 60 | 59 | 58 | 57 | 56 | 55 | 54     | 53       | SALEABLE                            |           | 345650003 |
|  |                      |                   |             |        |             |            |                   |     |          |           | 52   | 51 | 50 | 49 | 48 | 47 | 46 | 45 | 44 | 43 | 42 | 41 | 40 | 39 | 38 | 37 | 36 | 35 | 34     | 33       |                                     |           |           |
|  |                      |                   |             |        |             |            |                   |     |          |           |  |    |    |    |    |    |    |    |    |    |    | 32 | 31 | 30 | 29 | 28 | 27 | 26 | 25     | 24       |                                     |           |           |
| MX123 CONN ASSY 73 CKT GRY OPT9 KEY B/49 | 345667093            | C-HSG-B9          | G-CAP-9-P   | TPA-B9 | RS          | LS         | MAL               | CPA | MSEAL    | RSEAL     | -  | -  | -  | -  | -  | -  | -  | -  | -  | -  | 62 | 61 | 60 | -  | 58 | 57 | 56 | 55 | 54     | -        | SALEABLE                            |           | 345650003 |
|  |                      |                   |             |        |             |            |                   |     |          |           | -  | -  | -  | -  | -  | -  | -  | -  | -  | -  | 42 | 41 | 40 | -  | 38 | 37 | 36 | 35 | -      | -        |                                     |           |           |
|  |                      |                   |             |        |             |            |                   |     |          |           |  |    |    |    |    |    |    |    |    |    |    | -  | -  | -  | -  | -  | -  | -  | -      | -        |                                     |           |           |
| MX123 CONN ASSY 73 CKT BLK OPT0 KEY A/25 | 345667103            | C-HSG-A0          | G-CAP-0-P   | TPA-A0 | RS          | LS         | MAL               | CPA | MSEAL    | RSEAL     | -  | -  | -  | -  | -  | -  | -  | 65 | -  | -  | -  | 61 | -  | -  | 58 | 57 | 56 | -  | -      | -        | SALEABLE                            |           | 345650003 |
|  |                      |                   |             |        |             |            |                   |     |          |           | -  | 51 | 50 | -  | -  | 47 | 46 | 45 | -  | -  | -  | 41 | -  | -  | 38 | 37 | 36 | -  | -      | -        |                                     |           |           |
|  |                      |                   |             |        |             |            |                   |     |          |           |  |    |    |    |    |    |    |    |    |    |    | -  | 31 | 30 | -  | -  | -  | 26 | 25     | -        |                                     |           |           |

| ASSEMBLY DESCRIPTION                     | ASSEMBLY PART NUMBER | CONNECTOR HOUSING | GROMMET CAP | TPA    | RIGHT SLIDE | LEFT SLIDE | MATE ASSIST LEVER | CPA | MAT SEAL | RING SEAL | BLOCKED TERMINALS  |    |    |    |    |    |    |    |    |    |    |    |    |    |    |    |    |    | STATUS | COMMENTS | INTEGRAL COMPONENTS SOLD SEPARATELY |           |           |
|--|----------------------|-------------------|-------------|--------|-------------|------------|-------------------|-----|----------|-----------|--|----|----|----|----|----|----|----|----|----|----|----|----|----|----|----|----|----|--------|----------|-------------------------------------|-----------|-----------|
|  |                      |                   |             |        |             |            |                   |     |          |           | CAVITY WITH A NUMBER INDICATES BLOCKED TERMINAL POSITION<br>CAVITY WITHOUT A NUMBER INDICATES OPEN TERMINAL POSITION |    |    |    |    |    |    |    |    |    |    |    |    |    |    |    |    |    |        |          | DRESS COVER                         |           |           |
|  |                      |                   |             |        |             |            |                   |     |          |           | 72   | 71 | 70 | 69 | 68 | 67 | 66 | 65 | 64 | 63 | 62 | 61 | 60 | 59 | 58 | 57 | 56 | 55 |        |          | 54                                  | 53        |           |
| MX123 CONN ASSY 73 CKT GRY OPT9 KEY B/8  | 345667133            | C-HSG-B9          | G-CAP-9-P   | TPA-B9 | RS          | LS         | MAL               | CPA | MSEAL    | RSEAL     | 72   | 71 | 70 | 69 | 68 | 67 | 66 | 65 | 64 | 63 | 62 | 61 | 60 | 59 | 58 | 57 | 56 | 55 | 54     | 53       | SALEABLE                            |           | 345650003 |
|  |                      |                   |             |        |             |            |                   |     |          |           | 52   | 51 | 50 | 49 | 48 | 47 | 46 | 45 | 44 | 43 | -  | 41 | 40 | 39 | 38 | 37 | 36 | 35 | 34     | 33       |                                     |           |           |
|  |                      |                   |             |        |             |            |                   |     |          |           |  |    |    |    | 32 | 31 | 30 | 29 | 28 | -  | 26 | -  | 24 | 23 | 22 | 21 | 20 | 19 | 18     | 17       |                                     |           |           |
|  |                      |                   |             |        |             |            |                   |     |          |           |  |    |    |    | 16 | 15 | 14 | 13 | 12 | 11 | -  | 9  | 8  | 7  | 6  | 5  | 4  | 3  | 2      | 1        |                                     |           |           |
| MX123 CONN ASSY 73 CKT BLK OPT0 KEY A/35 | 345667143            | C-HSG-A0          | G-CAP-0-P   | TPA-A0 | RS          | LS         | MAL               | CPA | MSEAL    | RSEAL     | 72   | 71 | -  | -  | 68 | 67 | 66 | 65 | 64 | -  | 62 | 61 | -  | -  | -  | -  | -  | -  | -      | -        | SALEABLE                            |           | 345650003 |
|  |                      |                   |             |        |             |            |                   |     |          |           | -  | -  | 50 | -  | -  | -  | 46 | 45 | -  | -  | -  | -  | 40 | 39 | 38 | -  | -  | 35 | -      | -        |                                     |           |           |
|  |                      |                   |             |        |             |            |                   |     |          |           |  |    |    |    | -  | 31 | 30 | 29 | -  | 27 | -  | 25 | 24 | 23 | 22 | 21 | 20 | -  | -      | 17       |                                     |           |           |
|  |                      |                   |             |        |             |            |                   |     |          |           |  |    |    |    | -  | -  | 14 | 13 | -  | 11 | -  | 9  | 8  | 7  | 6  | 5  | 4  | -  | 2      | 1        |                                     |           |           |
| MX123 CONN ASSY 73 CKT BLU OPT0 KEY C/45 | 345667153            | C-HSG-C0          | G-CAP-0-P   | TPA-C0 | RS          | LS         | MAL               | CPA | MSEAL    | RSEAL     | -  | 71 | -  | 69 | -  | 67 | -  | 65 | 64 | -  | -  | 61 | 60 | -  | -  | -  | 56 | 55 | 54     | -        | SALEABLE                            |           | 345650003 |
|  |                      |                   |             |        |             |            |                   |     |          |           | -  | -  | 50 | -  | -  | -  | 45 | -  | 43 | -  | 41 | -  | -  | 38 | -  | -  | 35 | -  | -      |          |                                     |           |           |
|  |                      |                   |             |        |             |            |                   |     |          |           |  |    |    |    | -  | 31 | -  | 29 | 28 | 27 | -  | -  | 23 | -  | -  | 20 | -  | -  | -      |          |                                     |           |           |
|  |                      |                   |             |        |             |            |                   |     |          |           |  |    |    |    | 16 | -  | -  | 13 | 12 | 11 | -  | -  | 7  | -  | -  | -  | 3  | -  | -      |          |                                     |           |           |
| MX123 CONN ASSY 73 CKT BLK OPT0 KEY A/45 | 345667163            | C-HSG-A0          | G-CAP-0-P   | TPA-A0 | RS          | LS         | MAL               | CPA | MSEAL    | RSEAL     | -  | 71 | -  | -  | -  | 66 | 65 | 64 | 63 | 62 | -  | -  | 59 | 58 | 57 | -  | -  | -  | -      | -        | SALEABLE                            |           | 345650003 |
|  |                      |                   |             |        |             |            |                   |     |          |           | -  | 51 | -  | -  | -  | 46 | -  | -  | -  | 42 | -  | -  | 39 | 38 | 37 | 36 | -  | -  | -      | -        |                                     |           |           |
|  |                      |                   |             |        |             |            |                   |     |          |           |  |    |    |    | 32 | 31 | 30 | -  | -  | 27 | 26 | -  | -  | 23 | 22 | 21 | -  | -  | -      | -        |                                     |           |           |
|  |                      |                   |             |        |             |            |                   |     |          |           |  |    |    |    | -  | -  | 14 | 13 | 12 | -  | 10 | -  | -  | -  | -  | -  | -  | -  | -      | -        |                                     |           |           |
| MX123 CONN ASSY 73 CKT GRY OPT0 KEY B/23 | 345667173            | C-HSG-B0          | G-CAP-0-P   | TPA-B0 | RS          | LS         | MAL               | CPA | MSEAL    | RSEAL     | 72   | 71 | 70 | 69 | -  | -  | -  | -  | -  | -  | 62 | 61 | 60 | 59 | -  | 57 | 56 | -  | 54     | 53       | SALEABLE                            |           | 345650003 |
|  |                      |                   |             |        |             |            |                   |     |          |           | 52   | 51 | 50 | 49 | 48 | 47 | -  | -  | 44 | -  | 42 | 41 | 40 | 39 | -  | 37 | 36 | 35 | -      | 33       |                                     |           |           |
|  |                      |                   |             |        |             |            |                   |     |          |           |  |    |    |    | -  | 31 | -  | -  | -  | -  | 26 | 25 | 24 | 23 | -  | 21 | 20 | 19 | 18     | -        |                                     |           |           |
|  |                      |                   |             |        |             |            |                   |     |          |           |  |    |    |    | -  | 15 | 14 | 13 | 12 | 11 | -  | 9  | 8  | 7  | 6  | 5  | 4  | 3  | 2      | 1        |                                     |           |           |
| MX123 CONN ASSY 73 CKT GRY OPT0 KEY B/72 | 345667183            | C-HSG-B0          | G-CAP-0-P   | TPA-B0 | RS          | LS         | MAL               | CPA | MSEAL    | RSEAL     | -  | -  | -  | -  | -  | -  | -  | -  | -  | -  | -  | -  | -  | -  | -  | -  | -  | -  | -      | -        | SALEABLE                            |           | 345650003 |
|  |                      |                   |             |        |             |            |                   |     |          |           | -  | -  | -  | -  | -  | -  | -  | -  | -  | -  | -  | -  | -  | -  | -  | -  | -  | -  | -      | -        |                                     |           |           |
|  |                      |                   |             |        |             |            |                   |     |          |           | -  | -  | -  | -  | -  | -  | -  | -  | -  | -  | -  | -  | -  | -  | -  | -  | -  | -  | -      | -        |                                     |           |           |
| MX123 CONN ASSY 73 CKT BLK OPT0 KEY A/41 | 345667193            | C-HSG-A0          | G-CAP-0-P   | TPA-A0 | RS          | LS         | MAL               | CPA | MSEAL    | RSEAL     | -  | 71 | -  | -  | 68 | 67 | 66 | 65 | 64 | -  | -  | -  | -  | 59 | -  | -  | -  | -  | -      | -        | SALEABLE                            |           | 345650003 |
|  |                      |                   |             |        |             |            |                   |     |          |           | -  | -  | 50 | -  | 48 | 47 | 46 | 45 | -  | -  | -  | -  | 40 | 39 | 38 | -  | -  | 35 | -      | 33       |                                     |           |           |
|  |                      |                   |             |        |             |            |                   |     |          |           |  |    |    |    | -  | 31 | 30 | -  | -  | -  | -  | 25 | 24 | 23 | 22 | 21 | 20 | -  | -      | -        |                                     |           |           |
|  |                      |                   |             |        |             |            |                   |     |          |           |  |    |    |    | -  | -  | 14 | -  | -  | -  | -  | 9  | 8  | 7  | 6  | 5  | 4  | -  | -      | -        |                                     |           |           |
| MX123 CONN ASSY 73 CKT GRY OPT0 KEY B/25 | 345667203            | C-HSG-B0          | G-CAP-0-P   | TPA-B0 | RS          | LS         | MAL               | CPA | MSEAL    | RSEAL     | -  | -  | -  | -  | -  | -  | -  | -  | -  | -  | -  | 61 | -  | -  | 58 | 57 | 56 | -  | -      | -        | SALEABLE                            |           | 345650003 |
|  |                      |                   |             |        |             |            |                   |     |          |           | -  | 51 | 50 | -  | -  | 47 | 46 | 45 | -  | -  | -  | 41 | 40 | -  | 38 | 37 | 36 | -  | -      | -        |                                     |           |           |
|  |                      |                   |             |        |             |            |                   |     |          |           |  |    |    |    | -  | 31 | 30 | -  | 28 | -  | 26 | 25 | -  | -  | 22 | 21 | -  | -  | -      |          |                                     |           |           |
|  |                      |                   |             |        |             |            |                   |     |          |           |  |    |    |    | -  | 15 | 14 | -  | -  | -  | 10 | -  | -  | -  | -  | -  | -  | -  | -      | -        |                                     |           |           |
| MX123 CONN ASSY 73 CKT BLK OPT0 KEY A/30 | 345667213            | C-HSG-A0          | G-CAP-0-P   | TPA-A0 | RS          | LS         | MAL               | CPA | MSEAL    | RSEAL     | 72   | 71 | -  | -  | 68 | 67 | 66 | 65 | 64 | -  | 62 | 61 | 60 | 59 | -  | 57 | -  | 55 | -      | 53       | SALEABLE                            |           | 345650003 |
|  |                      |                   |             |        |             |            |                   |     |          |           | -  | -  | 50 | -  | 48 | -  | 46 | 45 | -  | -  | -  | -  | 40 | -  | 38 | 37 | -  | 35 | -      | 33       |                                     |           |           |
|  |                      |                   |             |        |             |            |                   |     |          |           |  |    |    |    | -  | 31 | 30 | 29 | -  | 27 | -  | 25 | 24 | 23 | 22 | 21 | 20 | -  | -      | -        |                                     |           |           |
|  |                      |                   |             |        |             |            |                   |     |          |           |  |    |    |    | -  | 15 | 14 | 13 | -  | 11 | -  | 9  | 8  | 7  | 6  | 5  | 4  | -  | -      | -        |                                     |           |           |
| MX123 CONN ASSY 73 CKT BLU OPT0 KEY C/41 | 345667223            | C-HSG-C0          | G-CAP-0-P   | TPA-C0 | RS          | LS         | MAL               | CPA | MSEAL    | RSEAL     | -  | 71 | -  | 69 | -  | 67 | -  | 65 | 64 | -  | -  | 61 | 60 | -  | 58 | -  | 56 | 55 | 54     | -        | SALEABLE                            |           | 345650003 |
|  |                      |                   |             |        |             |            |                   |     |          |           | -  | -  | 50 | 49 | -  | -  | -  | 45 | -  | 43 | -  | 41 | -  | -  | 38 | -  | -  | 35 | -      | -        |                                     |           |           |
|  |                      |                   |             |        |             |            |                   |     |          |           |  |    |    |    | -  | 31 | -  | 29 | 28 | 27 | -  | -  | 23 | -  | -  | -  | 19 | 18 | 17     |          |                                     |           |           |
|  |                      |                   |             |        |             |            |                   |     |          |           |  |    |    |    | 16 | -  | -  | -  | 12 | 11 | -  | -  | 7  | -  | -  | -  | 3  | -  | 1      |          |                                     |           |           |
| MX123 CONN ASSY 73 CKT BLK OPT9 KEY A/29 | 345667233            | C-HSG-A9          | G-CAP-9-P   | TPA-A9 | RS          | LS         | MAL               | CPA | MSEAL    | RSEAL     | -  | 71 | 70 | 69 | 68 | 67 | 66 | 65 | 64 | 63 | -  | -  | 60 | 59 | 58 | -  | -  | -  | -      | 53       | SALEABLE                            |           | 345650003 |
|  |                      |                   |             |        |             |            |                   |     |          |           | -  | -  | 50 | 49 | 48 | 47 | -  | -  | 44 | -  | 42 | 41 | -  | 39 | 38 | -  | 36 | -  | -      | 33       |                                     |           |           |
|  |                      |                   |             |        |             |            |                   |     |          |           |  |    |    |    | -  | 31 | -  | -  | 28 | 27 | 26 | -  | 24 | 23 | 22 | 21 | -  | 19 | 18     | 17       |                                     |           |           |
|  |                      |                   |             |        |             |            |                   |     |          |           |  |    |    |    | -  | -  | 14 | -  | 12 | -  | -  | -  | 8  | 7  | 6  | 5  | -  | 3  | 2      | 1        |                                     |           |           |
| MX123 CONN ASSY 73 CKT BLK OPT9 KEY A/33 | 345667243            | C-HSG-A9          | G-CAP-9-P   | TPA-A9 | RS          | LS         | MAL               | CPA | MSEAL    | RSEAL     | -  | 71 | 70 | 69 | 68 | 67 | 66 | 65 | 64 | 63 | -  | -  | 60 | 59 | -  | -  | -  | -  | 53     | SALEABLE |                                     | 345650003 |           |
|  |                      |                   |             |        |             |            |                   |     |          |           | -  | -  | 50 | 49 | -  | 47 | -  | -  | 44 | -  | 42 | -  | -  | 39 | 38 | -  | 36 | -  | -      | 33       |                                     |           |           |
|  |                      |                   |             |        |             |            |                   |     |          |           |  |    |    |    | -  | 31 | -  | -  | 28 | 27 | 26 | -  | 24 | 23 | 22 | 21 | -  | 19 | 18     | 17       |                                     |           |           |
|  |                      |                   |             |        |             |            |                   |     |          |           |  |    |    |    | -  | -  | 14 | -  | 12 | -  | -  | -  | 8  | 7  | 6  | 5  | -  | -  | 2      | 1        |                                     |           |           |



| ASSEMBLY DESCRIPTION                     | ASSEMBLY PART NUMBER | CONNECTOR HOUSING | GROMMET CAP | TPA    | RIGHT SLIDE | LEFT SLIDE | MATE ASSIST LEVER | CPA | MAT SEAL | RING SEAL | BLOCKED TERMINALS  |    |    |    |    |    |    |    |    |    |    |    |    |    |    |    |    |    |    |          | STATUS   | COMMENTS  | INTEGRAL COMPONENTS SOLD SEPARATELY |
|--|----------------------|-------------------|-------------|--------|-------------|------------|-------------------|-----|----------|-----------|--|----|----|----|----|----|----|----|----|----|----|----|----|----|----|----|----|----|----|----------|----------|-----------|-------------------------------------|
|  |                      |                   |             |        |             |            |                   |     |          |           | CAVITY WITH A NUMBER INDICATES BLOCKED TERMINAL POSITION |    |    |    |    |    |    |    |    |    |    |    |    |    |    |    |    |    |    |          |          |           | DRESS COVER                         |
|  |                      |                   |             |        |             |            |                   |     |          |           | CAVITY WITHOUT A NUMBER INDICATES OPEN TERMINAL POSITION |    |    |    |    |    |    |    |    |    |    |    |    |    |    |    |    |    |    |          |          |           |                                     |
| MX123 CONN ASSY 73 CKT GRY OPT0 KEY B/19 | 345667253            | C-HSG-B0          | G-CAP-0-P   | TPA-B0 | RS          | LS         | MAL               | CPA | MSEAL    | RSEAL     | -  | 71 | 70 | 69 | 68 | 67 | 66 | 65 | 64 | 63 | -  | -  | 60 | 59 | 58 | 57 | 56 | 55 | 54 | 53       | SALEABLE |           | 345650003                           |
|  |                      |                   |             |        |             |            |                   |     |          |           | -  | 51 | 50 | 49 | -  | -  | -  | 45 | -  | -  | 42 | -  | -  | 39 | 38 | 37 | 36 | 35 | 34 | 33       |          |           |                                     |
|  |                      |                   |             |        |             |            |                   |     |          |           |  |    |    |    | 32 | 31 | -  | 29 | 28 | 27 | 26 | 25 | 24 | 23 | 22 | 21 | -  | -  | -  | 17       |          |           |                                     |
| MX123 CONN ASSY 73 CKT BLU OPT0 KEY C/34 | 345667263            | C-HSG-C0          | G-CAP-0-P   | TPA-C0 | RS          | LS         | MAL               | CPA | MSEAL    | RSEAL     | 72   | 71 | 70 | -  | 68 | -  | -  | 65 | -  | 63 | -  | 61 | -  | 59 | 58 | -  | 56 | 55 | -  | 53       | SALEABLE |           | 345650003                           |
|  |                      |                   |             |        |             |            |                   |     |          |           | -  | -  | -  | 49 | -  | 47 | -  | -  | -  | 43 | -  | 41 | 40 | 39 | 38 | -  | 36 | 35 | -  | -        |          |           |                                     |
|  |                      |                   |             |        |             |            |                   |     |          |           |  |    |    |    | 32 | 31 | 30 | 29 | -  | -  | -  | 25 | 24 | 23 | 22 | 21 | 20 | 19 | -  | 17       |          |           |                                     |
| MX123 CONN ASSY 73 CKT BLU OPT0 KEY C/39 | 345667273            | C-HSG-C0          | G-CAP-0-P   | TPA-C0 | RS          | LS         | MAL               | CPA | MSEAL    | RSEAL     | 72   | 71 | 70 | -  | 68 | -  | -  | 65 | -  | 63 | -  | 61 | -  | 59 | 58 | -  | 56 | -  | -  | 53       | SALEABLE |           | 345650003                           |
|  |                      |                   |             |        |             |            |                   |     |          |           | -  | -  | -  | 49 | -  | 47 | -  | -  | -  | 43 | -  | 41 | 40 | 39 | 38 | -  | 36 | -  | -  | -        |          |           |                                     |
|  |                      |                   |             |        |             |            |                   |     |          |           |  |    |    |    | 32 | 31 | 30 | 29 | -  | -  | -  | 25 | 24 | 23 | 22 | 21 | 20 | -  | -  | -        |          |           |                                     |
| MX123 CONN ASSY 73 CKT BLU OPT0 KEY C/35 | 345667283            | C-HSG-C0          | G-CAP-0-P   | TPA-C0 | RS          | LS         | MAL               | CPA | MSEAL    | RSEAL     | 72   | 71 | 70 | -  | 68 | -  | -  | 65 | -  | 63 | 62 | -  | -  | 59 | 58 | -  | 56 | 55 | -  | 53       | SALEABLE |           | 345650003                           |
|  |                      |                   |             |        |             |            |                   |     |          |           | -  | -  | -  | -  | -  | 47 | -  | -  | -  | 43 | 42 | -  | 40 | 39 | 38 | -  | 36 | 35 | -  | -        |          |           |                                     |
|  |                      |                   |             |        |             |            |                   |     |          |           |  |    |    |    | 32 | 31 | 30 | 29 | -  | -  | 26 | -  | 24 | 23 | 22 | 21 | 20 | 19 | -  | 17       |          |           |                                     |
| MX123 CONN ASSY 73 CKT BLK OPT9 KEY A/49 | 345667293            | C-HSG-A9          | G-CAP-9-P   | TPA-A9 | RS          | LS         | MAL               | CPA | MSEAL    | RSEAL     | -  | -  | -  | -  | -  | -  | -  | -  | -  | -  | 62 | 61 | 60 | -  | 58 | 57 | 56 | 55 | 54 | -        | SALEABLE |           | 345650003                           |
|  |                      |                   |             |        |             |            |                   |     |          |           | -  | -  | -  | -  | -  | -  | -  | -  | -  | -  | 42 | 41 | 40 | -  | 38 | 37 | 36 | 35 | -  | -        |          |           |                                     |
|  |                      |                   |             |        |             |            |                   |     |          |           |  |    |    |    | -  | -  | -  | -  | -  | -  | -  | -  | -  | -  | 22 | 21 | 20 | 19 | 18 | -        |          |           |                                     |
| MX123 CONN ASSY 73 CKT GRY OPT0 KEY B/49 | 345667303            | C-HSG-B0          | G-CAP-0-P   | TPA-B0 | RS          | LS         | MAL               | CPA | MSEAL    | RSEAL     | 72   | 71 | 70 | -  | 67 | -  | 65 | 64 | 63 | 62 | 61 | 60 | -  | 58 | 57 | 56 | -  | 54 | -  | SALEABLE |          | 345650003 |                                     |
|  |                      |                   |             |        |             |            |                   |     |          |           | 52   | 51 | 50 | -  | 47 | -  | 45 | -  | 43 | 42 | 41 | 40 | -  | 38 | -  | 36 | -  | 34 | -  |          |          |           |                                     |
|  |                      |                   |             |        |             |            |                   |     |          |           |  |    |    |    | 32 | 31 | 30 | -  | -  | 27 | 26 | 25 | 24 | -  | 22 | -  | 20 | 19 | -  |          |          |           | -                                   |
| MX123 CONN ASSY 73 CKT GRY OPT0 KEY B/22 | 345667313            | C-HSG-B0          | G-CAP-0-P   | TPA-B0 | RS          | LS         | MAL               | CPA | MSEAL    | RSEAL     | -  | 71 | 70 | 69 | 68 | -  | 66 | 65 | 64 | 63 | -  | -  | 60 | 59 | 58 | 57 | 56 | -  | 54 | 53       | SALEABLE |           | 345650003                           |
|  |                      |                   |             |        |             |            |                   |     |          |           | -  | 51 | 50 | 49 | -  | -  | -  | 45 | 44 | -  | 42 | 41 | -  | 39 | 38 | 37 | 36 | 35 | 34 | 33       |          |           |                                     |
|  |                      |                   |             |        |             |            |                   |     |          |           |  |    |    |    | 32 | 31 | -  | 29 | 28 | 27 | 26 | 25 | 24 | 23 | -  | -  | -  | -  | -  | 17       |          |           |                                     |
| MX123 CONN ASSY 73 CKT GRY OPT9 KEY B/66 | 345667333            | C-HSG-B9          | G-CAP-9-P   | TPA-B9 | RS          | LS         | MAL               | CPA | MSEAL    | RSEAL     | -  | -  | -  | -  | -  | -  | -  | -  | -  | -  | -  | -  | -  | 58 | -  | -  | -  | 54 | 53 | SALEABLE |          | 345650003 |                                     |
|  |                      |                   |             |        |             |            |                   |     |          |           | -  | -  | -  | -  | -  | -  | -  | -  | -  | -  | 42 | -  | -  | -  | -  | -  | -  | -  | -  |          |          |           | -                                   |
|  |                      |                   |             |        |             |            |                   |     |          |           |  |    |    |    | -  | -  | -  | -  | -  | 27 | -  | 25 | -  | -  | -  | -  | -  | -  | -  |          |          |           | -                                   |
| MX123 CONN ASSY 73 CKT GRY OPT9 KEY B/33 | 345667343            | C-HSG-B9          | G-CAP-9-P   | TPA-B9 | RS          | LS         | MAL               | CPA | MSEAL    | RSEAL     | 72   | 71 | 70 | 69 | -  | -  | 66 | 65 | -  | -  | 62 | 61 | 60 | -  | -  | 57 | 56 | -  | -  | 53       | SALEABLE |           | 345650003                           |
|  |                      |                   |             |        |             |            |                   |     |          |           | 52   | 51 | 50 | 49 | 48 | 47 | -  | -  | -  | -  | 42 | 41 | 40 | -  | -  | 37 | 36 | -  | 34 | 33       |          |           |                                     |
|  |                      |                   |             |        |             |            |                   |     |          |           |  |    |    |    | -  | 31 | -  | -  | -  | -  | 26 | 25 | 24 | -  | -  | 21 | 20 | -  | 18 | -        |          |           |                                     |
| MX123 CONN ASSY 73 CKT BLU OPT9 KEY C/40 | 345667353            | C-HSG-C9          | G-CAP-9-P   | TPA-C9 | RS          | LS         | MAL               | CPA | MSEAL    | RSEAL     | 72   | 71 | 70 | -  | 68 | -  | -  | 65 | -  | 63 | -  | 61 | -  | 59 | 58 | -  | 56 | -  | -  | 53       | SALEABLE |           | 345650003                           |
|  |                      |                   |             |        |             |            |                   |     |          |           | -  | -  | -  | 49 | -  | -  | -  | -  | -  | 43 | -  | 41 | 40 | 39 | 38 | -  | 36 | -  | -  | -        |          |           |                                     |
|  |                      |                   |             |        |             |            |                   |     |          |           |  |    |    |    | -  | 31 | 30 | 29 | -  | -  | -  | 25 | 24 | 23 | 22 | 21 | 20 | -  | -  | -        |          |           |                                     |
| MX123 CONN ASSY 73 CKT GRY OPT0 KEY B/24 | 345667363            | C-HSG-B0          | G-CAP-0-P   | TPA-B0 | RS          | LS         | MAL               | CPA | MSEAL    | RSEAL     | -  | 71 | -  | 69 | -  | 67 | 66 | 65 | 64 | 63 | -  | -  | -  | -  | 58 | 57 | 56 | -  | 54 | 53       | SALEABLE |           | 345650003                           |
|  |                      |                   |             |        |             |            |                   |     |          |           | -  | 51 | 50 | 49 | 48 | 47 | -  | 45 | -  | -  | 42 | -  | -  | 39 | 38 | 37 | 36 | 35 | 34 | 33       |          |           |                                     |
|  |                      |                   |             |        |             |            |                   |     |          |           |  |    |    |    | 32 | 31 | 30 | 29 | 28 | 27 | 26 | 25 | 24 | 23 | 22 | 21 | -  | -  | -  | -        |          |           |                                     |
| MX123 CONN ASSY 73 CKT BLK OPT0 KEY A/52 | 345667373            | C-HSG-A0          | G-CAP-0-P   | TPA-A0 | RS          | LS         | MAL               | CPA | MSEAL    | RSEAL     | -  | -  | -  | -  | -  | 67 | -  | -  | -  | 63 | 62 | -  | -  | 59 | 58 | -  | -  | 55 | -  | -        | SALEABLE |           | 345650003                           |
|  |                      |                   |             |        |             |            |                   |     |          |           | -  | -  | -  | -  | -  | 47 | -  | -  | -  | -  | 41 | -  | -  | -  | -  | -  | 35 | -  | -  |          |          |           |                                     |
|  |                      |                   |             |        |             |            |                   |     |          |           |  |    |    |    | 32 | -  | -  | -  | -  | 27 | -  | -  | 24 | -  | -  | -  | -  | 19 | 18 | 17       |          |           |                                     |

| ASSEMBLY DESCRIPTION                     | ASSEMBLY PART NUMBER | CONNECTOR HOUSING | GROMMET CAP | TPA    | RIGHT SLIDE | LEFT SLIDE | MATE ASSIST LEVER | CPA | MAT SEAL | RING SEAL | BLOCKED TERMINALS  |    |    |    |    |    |    |    |    |    |    |    |    |    |    |    |    |    |    |    | STATUS   | COMMENTS | INTEGRAL COMPONENTS SOLD SEPARATELY |
|--|----------------------|-------------------|-------------|--------|-------------|------------|-------------------|-----|----------|-----------|--|----|----|----|----|----|----|----|----|----|----|----|----|----|----|----|----|----|----|----|----------|----------|-------------------------------------|
|  |                      |                   |             |        |             |            |                   |     |          |           | CAVITY WITH A NUMBER INDICATES BLOCKED TERMINAL POSITION |    |    |    |    |    |    |    |    |    |    |    |    |    |    |    |    |    |    |    |          |          | DRESS COVER                         |
|  |                      |                   |             |        |             |            |                   |     |          |           | CAVITY WITHOUT A NUMBER INDICATES OPEN TERMINAL POSITION |    |    |    |    |    |    |    |    |    |    |    |    |    |    |    |    |    |    |    |          |          |                                     |
| MX123 CONN ASSY 73 CKT BLU OPT0 KEY C/38 | 345667383            | C-HSG-C0          | G-CAP-0-P   | TPA-C0 | RS          | LS         | MAL               | CPA | MSEAL    | RSEAL     | 72   | -  | -  | 69 | 68 | -  | -  | -  | -  | 63 | 62 | -  | -  | 59 | 58 | -  | 56 | 55 | -  | 53 | SALEABLE |          | 345650003                           |
|  |                      |                   |             |        |             |            |                   |     |          |           | -  | -  | -  | -  | -  | -  | 46 | -  | -  | 43 | 42 | -  | 40 | 39 | 38 | -  | 36 | 35 | -  | -  |          |          |                                     |
|  |                      |                   |             |        |             |            |                   |     |          |           |  |    |    |    |    |    |    |    |    |    | -  | 31 | 30 | 29 | -  | -  | 26 | -  | 24 | 23 |          |          |                                     |
| MX123 CONN ASSY 73 CKT GRY OPT0 KEY B/19 | 345667393            | C-HSG-B0          | G-CAP-0-P   | TPA-B0 | RS          | LS         | MAL               | CPA | MSEAL    | RSEAL     | -  | 71 | 70 | 69 | 68 | 67 | 66 | 65 | 64 | 63 | -  | -  | 60 | 59 | 58 | 57 | 56 | -  | 54 | 53 | SALEABLE |          | 345650003                           |
|  |                      |                   |             |        |             |            |                   |     |          |           | -  | 51 | 50 | 49 | -  | -  | -  | 45 | -  | -  | 42 | 41 | -  | 39 | 38 | 37 | 36 | 35 | 34 | 33 |          |          |                                     |
|  |                      |                   |             |        |             |            |                   |     |          |           |  |    |    |    |    |    |    |    |    |    | 32 | 31 | 30 | 29 | 28 | 27 | 26 | 25 | 24 | 23 |          |          |                                     |
| MX123 CONN ASSY 73 CKT GRY OPT0 KEY B/52 | 345667403            | C-HSG-B0          | G-CAP-0-P   | TPA-B0 | RS          | LS         | MAL               | CPA | MSEAL    | RSEAL     | 72   | 71 | 70 | 69 | 68 | 67 | 66 | 65 | 64 | 63 | 62 | 61 | 60 | -  | 58 | -  | 56 | -  | 54 | -  | SALEABLE |          | 345650003                           |
|  |                      |                   |             |        |             |            |                   |     |          |           | 52   | 51 | -  | -  | -  | 47 | -  | 45 | 44 | 43 | 42 | 41 | 40 | -  | 38 | -  | 36 | -  | 34 | -  |          |          |                                     |
|  |                      |                   |             |        |             |            |                   |     |          |           |  |    |    |    |    |    |    |    |    |    | 32 | 31 | 30 | -  | 28 | 27 | 26 | 25 | 24 | -  |          |          |                                     |
| MX123 CONN ASSY 73 CKT BLK OPT0 KEY A/53 | 345667413            | C-HSG-A0          | G-CAP-0-P   | TPA-A0 | RS          | LS         | MAL               | CPA | MSEAL    | RSEAL     | -  | -  | -  | -  | -  | 67 | -  | -  | -  | -  | 62 | -  | -  | 59 | 58 | -  | -  | 55 | -  | -  | SALEABLE |          | 345650003                           |
|  |                      |                   |             |        |             |            |                   |     |          |           | 52   | -  | -  | -  | -  | 47 | -  | -  | -  | -  | -  | 41 | -  | -  | -  | -  | 35 | -  | -  |    |          |          |                                     |
|  |                      |                   |             |        |             |            |                   |     |          |           |  |    |    |    |    |    |    |    |    |    | -  | -  | -  | -  | -  | 27 | -  | -  | 24 | -  |          |          |                                     |
| MX123 CONN ASSY 73 CKT BLU OPT0 KEY C/38 | 345667423            | C-HSG-C0          | G-CAP-0-P   | TPA-C0 | RS          | LS         | MAL               | CPA | MSEAL    | RSEAL     | 72   | 71 | -  | -  | 68 | -  | 66 | 65 | -  | 63 | 62 | -  | -  | 59 | 58 | -  | 56 | 55 | -  | 53 | SALEABLE |          | 345650003                           |
|  |                      |                   |             |        |             |            |                   |     |          |           | -  | -  | -  | -  | -  | -  | -  | -  | -  | 43 | 42 | -  | 40 | 39 | 38 | -  | 36 | 35 | -  | -  |          |          |                                     |
|  |                      |                   |             |        |             |            |                   |     |          |           |  |    |    |    |    |    |    |    |    |    | -  | 31 | 30 | 29 | -  | -  | 26 | -  | 24 | 23 |          |          |                                     |
| MX123 CONN ASSY 73 CKT GRY OPT0 KEY B/31 | 345667433            | C-HSG-B0          | G-CAP-0-P   | TPA-B0 | RS          | LS         | MAL               | CPA | MSEAL    | RSEAL     | -  | 71 | 70 | 69 | -  | 67 | 66 | 65 | 64 | 63 | -  | -  | -  | -  | 58 | 57 | 56 | -  | 54 | 53 | SALEABLE |          | 345650003                           |
|  |                      |                   |             |        |             |            |                   |     |          |           | -  | 51 | 50 | 49 | -  | -  | -  | 45 | -  | -  | 42 | -  | -  | 39 | -  | -  | -  | -  | 34 | 33 |          |          |                                     |
|  |                      |                   |             |        |             |            |                   |     |          |           |  |    |    |    |    |    |    |    |    |    | 32 | 31 | -  | 29 | 28 | 27 | 26 | 25 | 24 | 23 |          |          |                                     |
| MX123 CONN ASSY 73 CKT BLK OPT0 KEY A/50 | 345667443            | C-HSG-A0          | G-CAP-0-P   | TPA-A0 | RS          | LS         | MAL               | CPA | MSEAL    | RSEAL     | -  | -  | -  | -  | -  | 67 | -  | -  | -  | -  | 62 | 61 | -  | 59 | 58 | -  | -  | 55 | -  | 53 | SALEABLE |          | 345650003                           |
|  |                      |                   |             |        |             |            |                   |     |          |           | -  | -  | -  | -  | -  | 47 | -  | -  | -  | -  | -  | 41 | -  | -  | -  | -  | 35 | -  | 33 |    |          |          |                                     |
|  |                      |                   |             |        |             |            |                   |     |          |           |  |    |    |    |    |    |    |    |    |    | 32 | -  | -  | -  | -  | 27 | -  | -  | 24 | -  |          |          |                                     |
| MX123 CONN ASSY 73 CKT BLU OPT0 KEY C/41 | 345667453            | C-HSG-C0          | G-CAP-0-P   | TPA-C0 | RS          | LS         | MAL               | CPA | MSEAL    | RSEAL     | 72   | -  | -  | 69 | 68 | -  | -  | -  | -  | 63 | 62 | -  | -  | 59 | -  | -  | 56 | 55 | -  | 53 | SALEABLE |          | 345650003                           |
|  |                      |                   |             |        |             |            |                   |     |          |           | -  | -  | -  | -  | -  | -  | 46 | -  | -  | 43 | 42 | -  | 40 | 39 | -  | -  | 36 | 35 | -  | -  |          |          |                                     |
|  |                      |                   |             |        |             |            |                   |     |          |           |  |    |    |    |    |    |    |    |    |    | -  | 31 | 30 | 29 | -  | -  | 26 | -  | 24 | 23 |          |          |                                     |
| MX123 CONN ASSY 73 CKT GRY OPT0 KEY B/25 | 345667463            | C-HSG-B0          | G-CAP-0-P   | TPA-B0 | RS          | LS         | MAL               | CPA | MSEAL    | RSEAL     | -  | 71 | 70 | 69 | -  | 67 | 66 | 65 | 64 | 63 | -  | -  | 60 | 59 | 58 | 57 | 56 | -  | 54 | 53 | SALEABLE |          | 345650003                           |
|  |                      |                   |             |        |             |            |                   |     |          |           | -  | 51 | 50 | 49 | -  | -  | -  | 45 | 44 | -  | 42 | 41 | -  | 39 | 38 | 37 | 36 | 35 | 34 | 33 |          |          |                                     |
|  |                      |                   |             |        |             |            |                   |     |          |           |  |    |    |    |    |    |    |    |    |    | 32 | 31 | -  | 29 | 28 | 27 | 26 | 25 | 24 | 23 |          |          |                                     |
| MX123 CONN ASSY 73 CKT GRY OPT0 KEY B/27 | 345667473            | C-HSG-B0          | G-CAP-0-P   | TPA-B0 | RS          | LS         | MAL               | CPA | MSEAL    | RSEAL     | -  | 71 | 70 | 69 | -  | 67 | 66 | 65 | 64 | 63 | -  | -  | 60 | 59 | 58 | 57 | 56 | -  | 54 | 53 | SALEABLE |          | 345650003                           |
|  |                      |                   |             |        |             |            |                   |     |          |           | -  | 51 | 50 | 49 | -  | -  | -  | 45 | 44 | -  | 42 | 41 | -  | 39 | 38 | 37 | 36 | 35 | 34 | 33 |          |          |                                     |
|  |                      |                   |             |        |             |            |                   |     |          |           |  |    |    |    |    |    |    |    |    |    | 32 | 31 | -  | 29 | 28 | -  | 26 | 25 | 24 | 23 |          |          |                                     |
| MX123 CONN ASSY 73 CKT GRY OPT0 KEY B/26 | 345667483            | C-HSG-B0          | G-CAP-0-P   | TPA-B0 | RS          | LS         | MAL               | CPA | MSEAL    | RSEAL     | -  | 71 | 70 | 69 | -  | 67 | 66 | 65 | 64 | 63 | -  | -  | 60 | 59 | 58 | 57 | 56 | -  | 54 | 53 | SALEABLE |          | 345650003                           |
|  |                      |                   |             |        |             |            |                   |     |          |           | -  | 51 | 50 | 49 | -  | -  | -  | 45 | 44 | -  | 42 | 41 | -  | 39 | 38 | 37 | 36 | 35 | 34 | 33 |          |          |                                     |
|  |                      |                   |             |        |             |            |                   |     |          |           |  |    |    |    |    |    |    |    |    |    | 32 | 31 | -  | 29 | 28 | 27 | 26 | 25 | 24 | 23 |          |          |                                     |
| MX123 CONN ASSY 73 CKT BLU OPT0 KEY C/39 | 345667493            | C-HSG-C0          | G-CAP-0-P   | TPA-C0 | RS          | LS         | MAL               | CPA | MSEAL    | RSEAL     | 72   | 71 | 70 | -  | 68 | -  | 66 | 65 | -  | 63 | -  | 61 | -  | 59 | 58 | -  | 56 | -  | -  | 53 | SALEABLE |          | 345650003                           |
|  |                      |                   |             |        |             |            |                   |     |          |           | -  | -  | -  | 49 | -  | -  | -  | -  | -  | 43 | -  | 41 | 40 | 39 | 38 | -  | 36 | -  | -  | -  |          |          |                                     |
|  |                      |                   |             |        |             |            |                   |     |          |           |  |    |    |    |    |    |    |    |    |    | -  | 31 | 30 | 29 | -  | -  | -  | -  | 25 | 24 |          |          |                                     |





| ASSEMBLY DESCRIPTION                     | ASSEMBLY PART NUMBER | CONNECTOR HOUSING | GROMMET CAP | TPA    | RIGHT SLIDE | LEFT SLIDE | MATE ASSIST LEVER | CPA | MAT SEAL | RING SEAL | BLOCKED TERMINALS  |    |    |    |    |    |    |    |    |    |    |    |    |    |    |    |    |    |          |          | STATUS    | COMMENTS  | INTEGRAL COMPONENTS SOLD SEPARATELY |    |
|--|----------------------|-------------------|-------------|--------|-------------|------------|-------------------|-----|----------|-----------|--|----|----|----|----|----|----|----|----|----|----|----|----|----|----|----|----|----|----------|----------|-----------|-----------|-------------------------------------|----|
|  |                      |                   |             |        |             |            |                   |     |          |           | CAVITY WITH A NUMBER INDICATES BLOCKED TERMINAL POSITION |    |    |    |    |    |    |    |    |    |    |    |    |    |    |    |    |    |          |          |           |           | DRESS COVER                         |    |
|  |                      |                   |             |        |             |            |                   |     |          |           | CAVITY WITHOUT A NUMBER INDICATES OPEN TERMINAL POSITION |    |    |    |    |    |    |    |    |    |    |    |    |    |    |    |    |    |          |          |           |           |                                     |    |
| MX123 CONN ASSY 73 CKT GRY OPT0 KEY B/24 | 345667653            | C-HSG-B0          | G-CAP-0-P   | TPA-B0 | RS          | LS         | MAL               | CPA | MSEAL    | RSEAL     | -  | 71 | -  | 69 | 68 | 67 | 66 | 65 | 64 | 63 | -  | -  | 60 | 59 | 58 | 57 | 56 | -  | 54       | 53       | SALEABLE  |           | 345650003                           |    |
|  |                      |                   |             |        |             |            |                   |     |          |           | -  | 51 | 50 | 49 | -  | -  | -  | 45 | 44 | -  | 42 | 41 | -  | 39 | 38 | 37 | 36 | 35 | 34       | 33       |           |           |                                     |    |
|  |                      |                   |             |        |             |            |                   |     |          |           |  |    |    |    | 32 | 31 | -  | 29 | 28 | 27 | 26 | 25 | 24 | 23 | -  | -  | -  | -  | -        | -        |           |           |                                     | 17 |
|  |                      |                   |             |        |             |            |                   |     |          |           |  |    |    |    | -  | -  | -  | 13 | 12 | 11 | 10 | 9  | 8  | 7  | -  | 5  | -  | 3  | -        | 1        |           |           |                                     |    |
| MX123 CONN ASSY 73 CKT GRY OPT0 KEY B/36 | 345667663            | C-HSG-B0          | G-CAP-0-P   | TPA-B0 | RS          | LS         | MAL               | CPA | MSEAL    | RSEAL     | -  | 71 | -  | 69 | -  | 67 | 66 | 65 | 64 | 63 | -  | -  | -  | -  | 58 | 57 | 56 | -  | 54       | 53       | SALEABLE  |           | 345650003                           |    |
|  |                      |                   |             |        |             |            |                   |     |          |           | -  | 51 | 50 | 49 | -  | -  | -  | 45 | -  | -  | 42 | -  | -  | 39 | -  | -  | -  | -  | -        | 34       |           |           |                                     | -  |
|  |                      |                   |             |        |             |            |                   |     |          |           |  |    |    |    | 32 | 31 | -  | 29 | 28 | 27 | 26 | 25 | 24 | 23 | -  | -  | -  | -  | -        | -        |           |           |                                     | -  |
|  |                      |                   |             |        |             |            |                   |     |          |           |  |    |    |    | -  | -  | -  | 13 | 12 | 11 | 10 | 9  | -  | 7  | -  | 5  | -  | 3  | 2        | -        |           |           |                                     |    |
| MX123 CONN ASSY 73 CKT BLU OPT0 KEY C/46 | 345667673            | C-HSG-C0          | G-CAP-0-P   | TPA-C0 | RS          | LS         | MAL               | CPA | MSEAL    | RSEAL     | 72   | -  | -  | -  | 68 | -  | -  | -  | -  | 63 | 62 | -  | -  | -  | -  | 56 | 55 | -  | 53       | SALEABLE |           | 345650003 |                                     |    |
|  |                      |                   |             |        |             |            |                   |     |          |           | -  | -  | -  | -  | -  | -  | -  | -  | -  | 43 | 42 | -  | 40 | -  | -  | -  | 36 | 35 | -        |          |           |           | -                                   |    |
|  |                      |                   |             |        |             |            |                   |     |          |           |  |    |    |    | -  | 31 | 30 | 29 | -  | -  | 26 | -  | 24 | -  | 22 | 21 | 20 | 19 | -        |          |           |           | -                                   |    |
|  |                      |                   |             |        |             |            |                   |     |          |           |  |    |    |    | -  | -  | -  | -  | -  | -  | -  | -  | -  | -  | 6  | 5  | 4  | 3  | 2        |          |           |           | 1                                   |    |
| MX123 CONN ASSY 73 CKT GRY OPT9 KEY B/67 | 345667683            | C-HSG-B9          | G-CAP-9-P   | TPA-B9 | RS          | LS         | MAL               | CPA | MSEAL    | RSEAL     | -  | -  | -  | -  | -  | -  | -  | -  | -  | -  | -  | -  | -  | -  | 58 | -  | -  | -  | 54       | 53       | SALEABLE  |           | 345650003                           |    |
|  |                      |                   |             |        |             |            |                   |     |          |           | -  | -  | -  | -  | -  | -  | -  | -  | -  | -  | 42 | -  | -  | -  | -  | -  | -  | -  | -        | -        |           |           |                                     | -  |
|  |                      |                   |             |        |             |            |                   |     |          |           |  |    |    |    | -  | -  | -  | -  | -  | 27 | -  | -  | -  | -  | -  | -  | -  | -  | -        | -        |           |           |                                     | -  |
|  |                      |                   |             |        |             |            |                   |     |          |           |  |    |    |    | -  | -  | -  | -  | -  | -  | 10 | -  | -  | -  | -  | -  | -  | -  | -        | -        |           |           |                                     | -  |
| MX123 CONN ASSY 73 CKT BLK OPT9 KEY A/31 | 345667693            | C-HSG-A9          | G-CAP-9-P   | TPA-A9 | RS          | LS         | MAL               | CPA | MSEAL    | RSEAL     | -  | 71 | 70 | 69 | 68 | 67 | 66 | 65 | -  | 63 | -  | -  | 60 | 59 | 58 | -  | -  | -  | -        | 53       | SALEABLE  |           | 345650003                           |    |
|  |                      |                   |             |        |             |            |                   |     |          |           | -  | -  | 50 | 49 | 48 | 47 | -  | -  | 44 | -  | 42 | 41 | -  | 39 | 38 | -  | 36 | -  | -        | 33       |           |           |                                     |    |
|  |                      |                   |             |        |             |            |                   |     |          |           |  |    |    |    | -  | 31 | -  | -  | 28 | -  | 26 | -  | 24 | 23 | 22 | 21 | -  | 19 | 18       | 17       |           |           |                                     |    |
|  |                      |                   |             |        |             |            |                   |     |          |           |  |    |    |    | -  | -  | 14 | -  | 12 | -  | -  | -  | 8  | 7  | 6  | 5  | -  | 3  | 2        | 1        |           |           |                                     |    |
| MX123 CONN ASSY 73 CKT BLK OPT0 KEY A/26 | 345667703            | C-HSG-A0          | G-CAP-0-P   | TPA-A0 | RS          | LS         | MAL               | CPA | MSEAL    | RSEAL     | -  | -  | -  | -  | -  | -  | 65 | -  | -  | -  | 61 | -  | -  | 58 | 57 | 56 | -  | -  | -        | SALEABLE |           | 345650003 |                                     |    |
|  |                      |                   |             |        |             |            |                   |     |          |           | -  | 51 | 50 | -  | -  | 47 | 46 | 45 | -  | -  | -  | 41 | -  | -  | 38 | 37 | 36 | -  | -        |          |           |           | -                                   |    |
|  |                      |                   |             |        |             |            |                   |     |          |           |  |    |    |    | -  | 31 | 30 | -  | 28 | -  | 26 | 25 | -  | -  | 22 | 21 | 20 | -  | -        |          |           |           | -                                   |    |
|  |                      |                   |             |        |             |            |                   |     |          |           |  |    |    |    | -  | 15 | 14 | -  | -  | -  | 10 | -  | -  | -  | -  | -  | -  | -  | -        |          |           |           | -                                   | -  |
| MX123 CONN ASSY 73 CKT BLK OPT9 KEY A/35 | 345667713            | C-HSG-A9          | G-CAP-9-P   | TPA-A9 | RS          | LS         | MAL               | CPA | MSEAL    | RSEAL     | -  | 71 | 70 | 69 | 68 | 67 | 66 | 65 | -  | 63 | -  | -  | 60 | 59 | -  | -  | -  | -  | 53       | SALEABLE |           | 345650003 |                                     |    |
|  |                      |                   |             |        |             |            |                   |     |          |           | -  | -  | 50 | 49 | -  | 47 | -  | -  | 44 | -  | 42 | -  | -  | 39 | 38 | -  | 36 | -  | -        |          |           |           | 33                                  |    |
|  |                      |                   |             |        |             |            |                   |     |          |           |  |    |    |    | -  | 31 | -  | -  | 28 | -  | 26 | -  | 24 | 23 | 22 | 21 | -  | 19 | 18       |          |           |           | 17                                  |    |
|  |                      |                   |             |        |             |            |                   |     |          |           |  |    |    |    | -  | -  | 14 | -  | 12 | -  | -  | -  | 8  | 7  | 6  | 5  | -  | -  | 2        |          |           |           | 1                                   |    |
| MX123 CONN ASSY 73 CKT BLK OPT9 KEY A/30 | 345667723            | C-HSG-A9          | G-CAP-9-P   | TPA-A9 | RS          | LS         | MAL               | CPA | MSEAL    | RSEAL     | -  | 71 | 70 | 69 | 68 | 67 | 66 | 65 | -  | 63 | -  | -  | 60 | 59 | 58 | -  | -  | -  | -        | SALEABLE |           | 345650003 |                                     |    |
|  |                      |                   |             |        |             |            |                   |     |          |           | -  | -  | 50 | 49 | 48 | 47 | -  | -  | 44 | -  | 42 | 41 | -  | 39 | 38 | -  | 36 | 35 | 34       |          |           |           | 33                                  |    |
|  |                      |                   |             |        |             |            |                   |     |          |           |  |    |    |    | -  | 31 | -  | -  | 28 | -  | 26 | -  | 24 | 23 | 22 | 21 | -  | 19 | 18       |          |           |           | 17                                  |    |
|  |                      |                   |             |        |             |            |                   |     |          |           |  |    |    |    | -  | -  | 14 | -  | 12 | -  | -  | -  | 8  | 7  | 6  | 5  | -  | 3  | 2        |          |           |           | 1                                   |    |
| MX123 CONN ASSY 73 CKT BLK OPT9 KEY A/34 | 345667733            | C-HSG-A9          | G-CAP-9-P   | TPA-A9 | RS          | LS         | MAL               | CPA | MSEAL    | RSEAL     | -  | 71 | 70 | 69 | 68 | 67 | 66 | 65 | -  | 63 | -  | -  | 60 | 59 | -  | -  | -  | -  | -        | SALEABLE |           | 345650003 |                                     |    |
|  |                      |                   |             |        |             |            |                   |     |          |           | -  | -  | 50 | 49 | -  | 47 | -  | -  | 44 | -  | 42 | -  | -  | 39 | 38 | -  | 36 | 35 | 34       |          |           |           | 33                                  |    |
|  |                      |                   |             |        |             |            |                   |     |          |           |  |    |    |    | -  | 31 | -  | -  | 28 | -  | 26 | -  | 24 | 23 | 22 | 21 | -  | 19 | 18       |          |           |           | 17                                  |    |
|  |                      |                   |             |        |             |            |                   |     |          |           |  |    |    |    | -  | -  | 14 | -  | 12 | -  | -  | -  | 8  | 7  | 6  | 5  | -  | -  | 2        |          |           |           | 1                                   |    |
| MX123 CONN ASSY 73 CKT BLU OPT0 KEY C/45 | 345667743            | C-HSG-C0          | G-CAP-0-P   | TPA-C0 | RS          | LS         | MAL               | CPA | MSEAL    | RSEAL     | -  | 71 | -  | 69 | -  | -  | -  | 65 | 64 | -  | -  | 61 | 60 | -  | 58 | -  | 56 | 55 | 54       | -        | SALEABLE  |           | 345650003                           |    |
|  |                      |                   |             |        |             |            |                   |     |          |           | -  | -  | 50 | -  | -  | -  | -  | 45 | -  | 43 | 42 | -  | -  | -  | 38 | -  | -  | -  | -        | -        |           |           |                                     |    |
|  |                      |                   |             |        |             |            |                   |     |          |           |  |    |    |    | -  | 31 | -  | 29 | 28 | -  | -  | -  | -  | 23 | -  | -  | -  | 19 | 18       | 17       |           |           |                                     |    |
|  |                      |                   |             |        |             |            |                   |     |          |           |  |    |    |    | 16 | -  | -  | -  | 12 | 11 | -  | -  | -  | 7  | -  | -  | -  | 3  | -        | 1        |           |           |                                     |    |
| MX123 CONN ASSY 73 CKT BLK OPT0 KEY A/51 | 345667753            | C-HSG-A0          | G-CAP-0-P   | TPA-A0 | RS          | LS         | MAL               | CPA | MSEAL    | RSEAL     | 72   | -  | -  | -  | -  | -  | 66 | 65 | -  | -  | -  | -  | -  | -  | -  | -  | -  | -  | SALEABLE |          | 345650003 |           |                                     |    |
|  |                      |                   |             |        |             |            |                   |     |          |           | -  | -  | -  | -  | 48 | 47 | 46 | -  | -  | -  | -  | 40 | -  | -  | -  | -  | 35 | -  |          |          |           | 33        |                                     |    |
|  |                      |                   |             |        |             |            |                   |     |          |           |  |    |    |    | -  | -  | 30 | -  | -  | -  | -  | 24 | 23 | 22 | 21 | 20 | -  | -  |          |          |           | 17        |                                     |    |
|  |                      |                   |             |        |             |            |                   |     |          |           |  |    |    |    | -  | -  | -  | -  | -  | -  | -  | -  | 7  | 6  | 5  | 4  | -  | 2  |          |          |           | 1         |                                     |    |
| MX123 CONN ASSY 73 CKT NAT OPT0 KEY F/1  | 345667763            | C-HSG-F0          | G-CAP-0-P   | TPA-F0 | RS          | LS         | MAL               | CPA | MSEAL    | RSEAL     | 72   | 71 | 70 | 69 | 68 | 67 | 66 | 65 | 64 | 63 | 62 | 61 | 60 | 59 | 58 | 57 | 56 | 55 | 54       | 53       | SALEABLE  |           | 345650003                           |    |
|  |                      |                   |             |        |             |            |                   |     |          |           | 52   | 51 | 50 | 49 | 48 | 47 | 46 | 45 | 44 | 43 | 42 | 41 | 40 | 39 | 38 | 37 | 36 | 35 | 34       | 33       |           |           |                                     |    |
|  |                      |                   |             |        |             |            |                   |     |          |           |  |    |    |    | 32 | 31 | 30 | 29 | 28 | 27 | 26 | 25 | 24 | 23 | 22 | 21 | 20 | 19 | 18       | 17       |           |           |                                     |    |
|  |                      |                   |             |        |             |            |                   |     |          |           |  |    |    |    | 16 | 15 | 14 | 13 | 12 | 11 | 10 | 9  | 8  | 7  | 6  | 5  | 4  | 3  | 2        | 1        |           |           |                                     |    |

| ASSEMBLY DESCRIPTION                     | ASSEMBLY PART NUMBER | CONNECTOR HOUSING | GROMMET CAP | TPA    | RIGHT SLIDE | LEFT SLIDE | MATE ASSIST LEVER | CPA | MAT SEAL | RING SEAL | BLOCKED TERMINALS  |    |    |    |    |    |    |    |    |    |    |    |    |    |    |    |    |    |    |    | STATUS | COMMENTS | INTEGRAL COMPONENTS SOLD SEPARATELY |
|--|----------------------|-------------------|-------------|--------|-------------|------------|-------------------|-----|----------|-----------|--|----|----|----|----|----|----|----|----|----|----|----|----|----|----|----|----|----|----|----|--------|----------|-------------------------------------|
|  |                      |                   |             |        |             |            |                   |     |          |           | CAVITY WITH A NUMBER INDICATES BLOCKED TERMINAL POSITION |    |    |    |    |    |    |    |    |    |    |    |    |    |    |    |    |    |    |    |        |          | DRESS COVER                         |
|  |                      |                   |             |        |             |            |                   |     |          |           | CAVITY WITHOUT A NUMBER INDICATES OPEN TERMINAL POSITION |    |    |    |    |    |    |    |    |    |    |    |    |    |    |    |    |    |    |    |        |          |                                     |
| MX123 CONN ASSY 73 CKT GRY OPT0 KEY B/25 | 345667773            | C-HSG-B0          | G-CAP-0-P   | TPA-B0 | RS          | LS         | MAL               | CPA | MSEAL    | RSEAL     | -  | 71 | -  | 69 | 68 | -  | 66 | 65 | 64 | -  | -  | -  | -  | -  | 58 | 57 | 56 | 55 | 54 | 53 |        |          |                                     |
|  |                      |                   |             |        |             |            |                   |     |          |           | -  | 51 | 50 | 49 | 48 | 47 | -  | 45 | 44 | -  | 42 | -  | -  | 39 | 38 | 37 | 36 | 35 | 34 | 33 |        |          |                                     |
|  |                      |                   |             |        |             |            |                   |     |          |           |  |    |    |    | 32 | 31 | 30 | 29 | 28 | -  | 26 | 25 | 24 | 23 | -  | -  | -  | -  | -  | -  | 17     |          |                                     |
|  |                      |                   |             |        |             |            |                   |     |          |           |  |    |    |    | -  | 15 | -  | 13 | 12 | -  | 10 | 9  | 8  | 7  | -  | 5  | -  | 3  | 2  | 1  |        |          |                                     |
| MX123 CONN ASSY 73 CKT BLK OPT0 KEY A/51 | 345667783            | C-HSG-A0          | G-CAP-0-P   | TPA-A0 | RS          | LS         | MAL               | CPA | MSEAL    | RSEAL     | -  | -  | -  | -  | -  | 67 | -  | -  | -  | -  | 62 | 61 | -  | 59 | 58 | -  | -  | 55 | -  | 53 |        |          |                                     |
|  |                      |                   |             |        |             |            |                   |     |          |           | -  | -  | -  | -  | -  | 47 | -  | -  | -  | -  | -  | -  | -  | -  | -  | -  | -  | 35 | -  | 33 |        |          |                                     |
|  |                      |                   |             |        |             |            |                   |     |          |           |  |    |    |    | -  | -  | -  | -  | -  | 27 | -  | -  | 24 | -  | -  | -  | 20 | 19 | 18 | 17 |        |          |                                     |
|  |                      |                   |             |        |             |            |                   |     |          |           |  |    |    |    | 16 | -  | -  | -  | -  | 11 | 10 | -  | 8  | -  | -  | -  | 4  | 3  | -  | -  |        |          |                                     |
| MX123 CONN ASSY 73 CKT BLK OPT0 KEY A/40 | 345667793            | C-HSG-A0          | G-CAP-0-P   | TPA-A0 | RS          | LS         | MAL               | CPA | MSEAL    | RSEAL     | -  | 71 | -  | 69 | 68 | -  | -  | -  | 64 | -  | 62 | 61 | -  | -  | -  | -  | -  | 54 | 53 |    |        |          |                                     |
|  |                      |                   |             |        |             |            |                   |     |          |           | -  | -  | 50 | -  | -  | -  | -  | -  | 44 | -  | -  | 41 | -  | -  | -  | -  | -  | -  | 34 | 33 |        |          |                                     |
|  |                      |                   |             |        |             |            |                   |     |          |           |  |    |    |    | 32 | 31 | 30 | 29 | -  | -  | 26 | 25 | 24 | -  | -  | -  | 20 | 19 | -  | -  |        |          |                                     |
|  |                      |                   |             |        |             |            |                   |     |          |           |  |    |    |    | 16 | 15 | 14 | 13 | -  | -  | 10 | -  | 8  | 7  | 6  | 5  | 4  | 3  | -  | -  |        |          |                                     |
| MX123 CONN ASSY 73 CKT BLK OPT0 KEY A/26 | 345667803            | C-HSG-A0          | G-CAP-0-P   | TPA-A0 | RS          | LS         | MAL               | CPA | MSEAL    | RSEAL     | -  | -  | -  | 69 | -  | 67 | -  | 65 | -  | -  | -  | -  | -  | -  | 58 | 57 | 56 | -  | -  | -  |        |          |                                     |
|  |                      |                   |             |        |             |            |                   |     |          |           | -  | 51 | 50 | -  | -  | 47 | -  | 45 | -  | -  | -  | 41 | -  | -  | 38 | 37 | 36 | -  | -  | -  |        |          |                                     |
|  |                      |                   |             |        |             |            |                   |     |          |           |  |    |    |    | -  | 31 | 30 | -  | -  | -  | 26 | 25 | -  | -  | 22 | 21 | 20 | -  | -  | -  |        |          |                                     |
|  |                      |                   |             |        |             |            |                   |     |          |           |  |    |    |    | -  | 15 | -  | -  | -  | -  | 10 | -  | -  | -  | -  | 5  | 4  | -  | -  | -  |        |          |                                     |
| MX123 CONN ASSY 73 CKT BLK OPT0 KEY A/50 | 345667813            | C-HSG-A0          | G-CAP-0-P   | TPA-A0 | RS          | LS         | MAL               | CPA | MSEAL    | RSEAL     | 72   | 71 | -  | -  | -  | -  | 66 | 65 | 64 | -  | -  | -  | -  | -  | -  | -  | -  | -  |    |    |        |          |                                     |
|  |                      |                   |             |        |             |            |                   |     |          |           | -  | -  | -  | -  | 48 | 47 | 46 | 45 | -  | -  | -  | -  | -  | -  | -  | -  | 35 | -  | 33 |    |        |          |                                     |
|  |                      |                   |             |        |             |            |                   |     |          |           |  |    |    |    | -  | 31 | 30 | -  | -  | -  | -  | 24 | 23 | 22 | -  | 20 | -  | -  | 17 |    |        |          |                                     |
|  |                      |                   |             |        |             |            |                   |     |          |           |  |    |    |    | -  | -  | -  | -  | -  | -  | -  | -  | -  | 7  | 6  | -  | 4  | -  | 2  | 1  |        |          |                                     |
| MX123 CONN ASSY 73 CKT GRY OPT0 KEY B/32 | 345667823            | C-HSG-B0          | G-CAP-0-P   | TPA-B0 | RS          | LS         | MAL               | CPA | MSEAL    | RSEAL     | -  | 71 | 70 | 69 | -  | -  | 66 | 65 | 64 | -  | -  | -  | -  | -  | 58 | 57 | 56 | 55 | 54 | 53 |        |          |                                     |
|  |                      |                   |             |        |             |            |                   |     |          |           | -  | 51 | 50 | 49 | -  | -  | -  | 45 | -  | -  | 42 | -  | -  | 39 | -  | -  | -  | -  | -  | 34 | 33     |          |                                     |
|  |                      |                   |             |        |             |            |                   |     |          |           |  |    |    |    | 32 | 31 | -  | 29 | 28 | -  | 26 | 25 | 24 | 23 | 22 | 21 | -  | -  | -  | 17 |        |          |                                     |
|  |                      |                   |             |        |             |            |                   |     |          |           |  |    |    |    | -  | 15 | -  | 13 | 12 | -  | 10 | 9  | -  | 7  | 6  | 5  | -  | 3  | 2  | -  |        |          |                                     |
| MX123 CONN ASSY 73 CKT GRY OPT0 KEY B/64 | 345667833            | C-HSG-B0          | G-CAP-0-P   | TPA-B0 | RS          | LS         | MAL               | CPA | MSEAL    | RSEAL     | -  | -  | -  | -  | -  | -  | -  | -  | -  | -  | 62 | -  | -  | -  | 58 | -  | -  | -  | 54 | 53 |        |          |                                     |
|  |                      |                   |             |        |             |            |                   |     |          |           | -  | -  | -  | -  | -  | -  | -  | -  | -  | -  | 42 | -  | -  | -  | -  | -  | -  | -  | -  | -  |        |          |                                     |
|  |                      |                   |             |        |             |            |                   |     |          |           |  |    |    |    | -  | -  | -  | -  | -  | 27 | -  | -  | -  | -  | -  | -  | -  | -  | -  | -  |        |          |                                     |
|  |                      |                   |             |        |             |            |                   |     |          |           |  |    |    |    | -  | -  | -  | -  | -  | 11 | 10 | 9  | -  | -  | -  | -  | -  | -  | -  | -  |        |          |                                     |
| MX123 CONN ASSY 73 CKT BLU OPT9 KEY C/38 | 345667843            | C-HSG-C9          | G-CAP-9-P   | TPA-C9 | RS          | LS         | MAL               | CPA | MSEAL    | RSEAL     | 72   | -  | 70 | 69 | 68 | -  | 66 | -  | -  | 63 | -  | -  | -  | 59 | -  | -  | 56 | 55 | -  | 53 |        |          |                                     |
|  |                      |                   |             |        |             |            |                   |     |          |           | -  | -  | -  | -  | -  | -  | 46 | -  | -  | 43 | -  | -  | 40 | 39 | -  | -  | 36 | 35 | -  | -  |        |          |                                     |
|  |                      |                   |             |        |             |            |                   |     |          |           |  |    |    |    | 32 | 31 | 30 | 29 | -  | -  | -  | -  | 24 | 23 | 22 | 21 | 20 | 19 | -  | 17 |        |          |                                     |
|  |                      |                   |             |        |             |            |                   |     |          |           |  |    |    |    | -  | -  | -  | -  | -  | -  | -  | -  | 8  | 7  | 6  | 5  | 4  | 3  | 2  | 1  |        |          |                                     |
| MX123 CONN ASSY 73 CKT BLU OPT9 KEY C/41 | 345667853            | C-HSG-C9          | G-CAP-9-P   | TPA-C9 | RS          | LS         | MAL               | CPA | MSEAL    | RSEAL     | -  | -  | -  | -  | 68 | -  | -  | 65 | -  | 63 | 62 | 61 | 60 | 59 | 58 | 57 | 56 | 55 | -  | 53 |        |          |                                     |
|  |                      |                   |             |        |             |            |                   |     |          |           | -  | -  | -  | -  | 48 | -  | -  | 45 | -  | 43 | 42 | 41 | 40 | -  | -  | 37 | 36 | 35 | 34 | 33 |        |          |                                     |
|  |                      |                   |             |        |             |            |                   |     |          |           |  |    |    |    | 32 | 31 | -  | -  | -  | -  | -  | -  | -  | -  | -  | -  | 20 | 19 | 18 | -  |        |          |                                     |
|  |                      |                   |             |        |             |            |                   |     |          |           |  |    |    |    | -  | -  | -  | -  | -  | -  | -  | -  | -  | -  | -  | -  | 4  | 3  | 2  | 1  |        |          |                                     |
| MX123 CONN ASSY 73 CKT BLU OPT9 KEY C/41 | 345667863            | C-HSG-C9          | G-CAP-9-P   | TPA-C9 | RS          | LS         | MAL               | CPA | MSEAL    | RSEAL     | -  | 71 | -  | 69 | -  | -  | -  | 65 | 64 | -  | -  | 61 | 60 | -  | 58 | -  | 56 | 55 | 54 | -  |        |          |                                     |
|  |                      |                   |             |        |             |            |                   |     |          |           | -  | -  | 50 | 49 | -  | -  | -  | 45 | -  | 43 | 42 | 41 | -  | -  | 38 | -  | -  | -  | -  | -  |        |          |                                     |
|  |                      |                   |             |        |             |            |                   |     |          |           |  |    |    |    | -  | 31 | -  | 29 | 28 | -  | -  | -  | -  | 23 | -  | -  | 20 | 19 | 18 | 17 |        |          |                                     |
|  |                      |                   |             |        |             |            |                   |     |          |           |  |    |    |    | 16 | -  | -  | 13 | 12 | 11 | -  | -  | -  | 7  | -  | -  | -  | 3  | -  | 1  |        |          |                                     |
| MX123 CONN ASSY 73 CKT BLK OPT9 KEY A/29 | 345667873            | C-HSG-A9          | G-CAP-9-P   | TPA-A9 | RS          | LS         | MAL               | CPA | MSEAL    | RSEAL     | 72   | -  | 70 | -  | 68 | 67 | 66 | -  | -  | 63 | 62 | -  | -  | 59 | -  | 57 | -  | -  | -  | 53 |        |          |                                     |
|  |                      |                   |             |        |             |            |                   |     |          |           | 52   | 51 | -  | 49 | 48 | 47 | 46 | -  | 44 | -  | -  | 41 | 40 | 39 | -  | 37 | 36 | -  | 34 | 33 |        |          |                                     |
|  |                      |                   |             |        |             |            |                   |     |          |           |  |    |    |    | 32 | -  | 30 | -  | -  | 27 | 26 | 25 | 24 | -  | 22 | 21 | 20 | -  | -  | -  |        |          |                                     |
|  |                      |                   |             |        |             |            |                   |     |          |           |  |    |    |    | -  | 15 | 14 | 13 | -  | -  | 10 | 9  | 8  | 7  | 6  | 5  | 4  | -  | 2  | -  |        |          |                                     |
| MX123 CONN ASSY 73 CKT BLK OPT9 KEY A/30 | 345667883            | C-HSG-A9          | G-CAP-9-P   | TPA-A9 | RS          | LS         | MAL               | CPA | MSEAL    | RSEAL     | -  | 71 | 70 | 69 | -  | -  | -  | -  | 64 | 63 | 62 | 61 | 60 | 59 | 58 | 57 | 56 | 55 | 54 | 53 |        |          |                                     |
|  |                      |                   |             |        |             |            |                   |     |          |           | 52   | 51 | 50 | 49 | -  | -  | 46 | 45 | 44 | 43 | 42 | 41 | -  | 39 | -  | 37 | 36 | -  | 34 | -  |        |          |                                     |
|  |                      |                   |             |        |             |            |                   |     |          |           |  |    |    |    | 32 | -  | -  | 29 | 28 | 27 | 26 | -  | -  | -  | -  | -  | -  | -  | 18 | -  |        |          |                                     |
|  |                      |                   |             |        |             |            |                   |     |          |           |  |    |    |    | 16 | 15 | 14 | 13 | 12 | 11 | 10 | -  | -  | -  | -  | -  | -  | 3  | -  | -  |        |          |                                     |

| ASSEMBLY DESCRIPTION                     | ASSEMBLY PART NUMBER | CONNECTOR HOUSING | GROMMET CAP | TPA    | RIGHT SLIDE | LEFT SLIDE | MATE ASSIST LEVER | CPA | MAT SEAL | RING SEAL | BLOCKED TERMINALS  |    |    |    |    |    |    |    |    |    |    |    |    |    |    |    | STATUS | COMMENTS | INTEGRAL COMPONENTS SOLD SEPARATELY |    |    |    |    |    |    |    |    |    |    |    |    |    |
|--|----------------------|-------------------|-------------|--------|-------------|------------|-------------------|-----|----------|-----------|--|----|----|----|----|----|----|----|----|----|----|----|----|----|----|----|--------|----------|-------------------------------------|----|----|----|----|----|----|----|----|----|----|----|----|----|
|  |                      |                   |             |        |             |            |                   |     |          |           | CAVITY WITH A NUMBER INDICATES BLOCKED TERMINAL POSITION |    |    |    |    |    |    |    |    |    |    |    |    |    |    |    |        |          | DRESS COVER                         |    |    |    |    |    |    |    |    |    |    |    |    |    |
|  |                      |                   |             |        |             |            |                   |     |          |           | CAVITY WITHOUT A NUMBER INDICATES OPEN TERMINAL POSITION |    |    |    |    |    |    |    |    |    |    |    |    |    |    |    |        |          |                                     |    |    |    |    |    |    |    |    |    |    |    |    |    |
| MX123 CONN ASSY 73 CKT BLK OPT9 KEY A/51 | 345667893            | C-HSG-A9          | G-CAP-9-P   | TPA-A9 | RS          | LS         | MAL               | CPA | MSEAL    | RSEAL     | -  | -  | -  | -  | -  | 67 | -  | -  | -  | -  | 62 | -  | -  | 59 | 58 | -  | -      | 55       | -                                   | -  |    |    |    |    |    |    |    |    |    |    |    |    |
|  |                      |                   |             |        |             |            |                   |     |          |           | -  | -  | -  | -  | -  | 47 | -  | -  | -  | -  | 41 | -  | -  | -  | -  | 35 | -      | -        |                                     |    |    |    |    |    |    |    |    |    |    |    |    |    |
|  |                      |                   |             |        |             |            |                   |     |          |           | -  |    |    |    |    |    |    |    |    |    |    |    |    |    |    |    | 19     | 18       | 17                                  |    |    |    |    |    |    |    |    |    |    |    |    |    |
|  |                      |                   |             |        |             |            |                   |     |          |           | -  |    |    |    |    |    |    |    |    |    |    |    |    |    |    |    | 16     | -        | -                                   | -  | -  | 11 | 10 | 9  | 8  | -  | -  | -  | -  | 3  | -  | 1  |
| MX123 CONN ASSY 73 CKT GRY OPT0 KEY B/39 | 345667903            | C-HSG-B0          | G-CAP-0-P   | TPA-B0 | RS          | LS         | MAL               | CPA | MSEAL    | RSEAL     | 72   | 71 | 70 | 69 | 68 | 67 | 66 | 65 | -  | 63 | 62 | -  | 60 | -  | 58 | -  | 56     | -        | 54                                  | -  |    |    |    |    |    |    |    |    |    |    |    |    |
|  |                      |                   |             |        |             |            |                   |     |          |           | 52   | 51 | 50 | 49 | 48 | 47 | 46 | 45 | 44 | 43 | -  | 41 | 40 | -  | 38 | 37 | 36     | -        | 34                                  | -  |    |    |    |    |    |    |    |    |    |    |    |    |
|  |                      |                   |             |        |             |            |                   |     |          |           | -  |    |    |    |    |    |    |    |    |    |    |    |    |    |    |    | 32     | 31       | 30                                  | 29 | 28 | 27 | 26 | 25 | 24 | -  | 22 | 21 | -  | -  | 18 | 17 |
|  |                      |                   |             |        |             |            |                   |     |          |           | -  |    |    |    |    |    |    |    |    |    |    |    |    |    |    |    | 16     | -        | 14                                  | 13 | 12 | 11 | 10 | 9  | 8  | 7  | 6  | 5  | -  | -  | -  | -  |
| MX123 CONN ASSY 73 CKT BLU OPT0 KEY C/37 | 345667923            | C-HSG-C0          | G-CAP-0-P   | TPA-C0 | RS          | LS         | MAL               | CPA | MSEAL    | RSEAL     | 72   | -  | -  | -  | 69 | 68 | -  | 66 | 65 | -  | 63 | 62 | -  | -  | 59 | 58 | -      | 56       | 55                                  | -  | 53 |    |    |    |    |    |    |    |    |    |    |    |
|  |                      |                   |             |        |             |            |                   |     |          |           | -  | -  | -  | -  | -  | -  | 46 | -  | -  | 43 | 42 | -  | 40 | 39 | 38 | -  | 36     | 35       | -                                   | -  |    |    |    |    |    |    |    |    |    |    |    |    |
|  |                      |                   |             |        |             |            |                   |     |          |           | -  |    |    |    |    |    |    |    |    |    |    |    |    |    |    |    | -      | 31       | 30                                  | 29 | -  | -  | 26 | -  | 24 | 23 | 22 | 21 | 20 | 19 | -  | -  |
|  |                      |                   |             |        |             |            |                   |     |          |           | -  |    |    |    |    |    |    |    |    |    |    |    |    |    |    |    | -      | -        | -                                   | -  | -  | -  | -  | -  | -  | -  | 6  | 5  | 4  | 3  | 2  | 1  |
| MX123 CONN ASSY 73 CKT BLK OPT0 KEY A/50 | 345667933            | C-HSG-A0          | G-CAP-0-P   | TPA-A0 | RS          | LS         | MAL               | CPA | MSEAL    | RSEAL     | -  | -  | -  | -  | -  | 67 | -  | -  | -  | -  | 62 | -  | -  | 59 | 58 | -  | -      | 55       | -                                   | -  |    |    |    |    |    |    |    |    |    |    |    |    |
|  |                      |                   |             |        |             |            |                   |     |          |           | -  | -  | -  | -  | -  | 47 | -  | -  | -  | -  | 42 | 41 | -  | -  | -  | -  | 35     | -        | -                                   |    |    |    |    |    |    |    |    |    |    |    |    |    |
|  |                      |                   |             |        |             |            |                   |     |          |           | -  |    |    |    |    |    |    |    |    |    |    |    |    |    |    |    | 19     | 18       | 17                                  |    |    |    |    |    |    |    |    |    |    |    |    |    |
|  |                      |                   |             |        |             |            |                   |     |          |           | -  |    |    |    |    |    |    |    |    |    |    |    |    |    |    |    | 16     | -        | -                                   | -  | -  | 11 | 10 | 9  | 8  | -  | -  | -  | -  | 3  | -  | 1  |
| MX123 CONN ASSY 73 CKT GRY OPT0 KEY B/32 | 345667943            | C-HSG-B0          | G-CAP-0-P   | TPA-B0 | RS          | LS         | MAL               | CPA | MSEAL    | RSEAL     | -  | 71 | 70 | 69 | 68 | 67 | 66 | 65 | 64 | 63 | -  | -  | -  | -  | 58 | 57 | 56     | -        | 54                                  | 53 |    |    |    |    |    |    |    |    |    |    |    |    |
|  |                      |                   |             |        |             |            |                   |     |          |           | -  | 51 | 50 | 49 | -  | -  | -  | 45 | 44 | -  | 42 | -  | -  | 39 | -  | -  | -      | -        | 34                                  | 33 |    |    |    |    |    |    |    |    |    |    |    |    |
|  |                      |                   |             |        |             |            |                   |     |          |           | -  |    |    |    |    |    |    |    |    |    |    |    |    |    |    |    | 32     | -        | -                                   | 29 | 28 | 27 | 26 | 25 | 24 | 23 | -  | -  | -  | -  | -  | -  |
|  |                      |                   |             |        |             |            |                   |     |          |           | -  |    |    |    |    |    |    |    |    |    |    |    |    |    |    |    | -      | -        | -                                   | 13 | 12 | 11 | 10 | 9  | 8  | 7  | -  | 5  | -  | 3  | 2  | -  |
| MX123 CONN ASSY 73 CKT GRY OPT0 KEY B/32 | 345667953            | C-HSG-B0          | G-CAP-0-P   | TPA-B0 | RS          | LS         | MAL               | CPA | MSEAL    | RSEAL     | -  | 71 | 70 | 69 | 68 | 67 | 66 | 65 | 64 | 63 | -  | -  | -  | -  | 58 | 57 | 56     | -        | 54                                  | 53 |    |    |    |    |    |    |    |    |    |    |    |    |
|  |                      |                   |             |        |             |            |                   |     |          |           | -  | 51 | 50 | 49 | -  | -  | -  | 45 | 44 | -  | 42 | -  | -  | 39 | -  | -  | -      | -        | 34                                  | 33 |    |    |    |    |    |    |    |    |    |    |    |    |
|  |                      |                   |             |        |             |            |                   |     |          |           | -  |    |    |    |    |    |    |    |    |    |    |    |    |    |    |    | 32     | -        | -                                   | 29 | 28 | 27 | 26 | 25 | 24 | 23 | -  | -  | -  | -  | -  | -  |
|  |                      |                   |             |        |             |            |                   |     |          |           | -  |    |    |    |    |    |    |    |    |    |    |    |    |    |    |    | -      | -        | -                                   | 13 | 12 | 11 | 10 | 9  | 8  | 7  | -  | 5  | -  | 3  | -  | 1  |
| MX123 CONN ASSY 73 CKT BLK OPT9 KEY A/54 | 345667963            | C-HSG-A9          | G-CAP-9-P   | TPA-A9 | RS          | LS         | MAL               | CPA | MSEAL    | RSEAL     | -  | -  | -  | -  | -  | 67 | -  | -  | -  | -  | 62 | -  | -  | 59 | 58 | -  | -      | 55       | -                                   | -  |    |    |    |    |    |    |    |    |    |    |    |    |
|  |                      |                   |             |        |             |            |                   |     |          |           | -  | -  | -  | -  | -  | 47 | -  | -  | -  | -  | 41 | -  | -  | -  | -  | 35 | -      | -        |                                     |    |    |    |    |    |    |    |    |    |    |    |    |    |
|  |                      |                   |             |        |             |            |                   |     |          |           | -  |    |    |    |    |    |    |    |    |    |    |    |    |    |    |    | 19     | 18       | 17                                  |    |    |    |    |    |    |    |    |    |    |    |    |    |
|  |                      |                   |             |        |             |            |                   |     |          |           | -  |    |    |    |    |    |    |    |    |    |    |    |    |    |    |    | 16     | -        | -                                   | -  | -  | 11 | 10 | -  | 8  | -  | -  | -  | -  | 3  | -  | 1  |
| MX123 CONN ASSY 73 CKT GRY OPT9 KEY B/36 | 345667973            | C-HSG-B9          | G-CAP-9-P   | TPA-B9 | RS          | LS         | MAL               | CPA | MSEAL    | RSEAL     | -  | 71 | 70 | 69 | 68 | 67 | 66 | 65 | 64 | 63 | -  | -  | -  | -  | 58 | 57 | 56     | -        | 54                                  | 53 |    |    |    |    |    |    |    |    |    |    |    |    |
|  |                      |                   |             |        |             |            |                   |     |          |           | -  | 51 | -  | -  | -  | -  | -  | -  | 44 | -  | 42 | -  | -  | 39 | -  | -  | -      | -        | -                                   | 33 |    |    |    |    |    |    |    |    |    |    |    |    |
|  |                      |                   |             |        |             |            |                   |     |          |           | -  |    |    |    |    |    |    |    |    |    |    |    |    |    |    |    | 32     | 31       | -                                   | -  | 28 | 27 | 26 | 25 | 24 | 23 | -  | -  | -  | -  | -  | -  |
|  |                      |                   |             |        |             |            |                   |     |          |           | -  |    |    |    |    |    |    |    |    |    |    |    |    |    |    |    | -      | -        | -                                   | 13 | 12 | 11 | 10 | 9  | 8  | 7  | -  | 5  | -  | 3  | 2  | -  |
| MX123 CONN ASSY 73 CKT GRY OPT9 KEY B/32 | 345667983            | C-HSG-B9          | G-CAP-9-P   | TPA-B9 | RS          | LS         | MAL               | CPA | MSEAL    | RSEAL     | -  | 71 | 70 | 69 | 68 | 67 | 66 | 65 | 64 | 63 | -  | -  | -  | -  | 58 | 57 | 56     | -        | 54                                  | 53 |    |    |    |    |    |    |    |    |    |    |    |    |
|  |                      |                   |             |        |             |            |                   |     |          |           | -  | 51 | -  | -  | -  | -  | -  | -  | 44 | -  | 42 | -  | -  | 39 | 38 | 37 | 36     | 35       | -                                   | -  |    |    |    |    |    |    |    |    |    |    |    |    |
|  |                      |                   |             |        |             |            |                   |     |          |           | -  |    |    |    |    |    |    |    |    |    |    |    |    |    |    |    | 32     | 31       | -                                   | -  | 28 | 27 | 26 | 25 | 24 | 23 | -  | -  | -  | -  | -  | -  |
|  |                      |                   |             |        |             |            |                   |     |          |           | -  |    |    |    |    |    |    |    |    |    |    |    |    |    |    |    | -      | -        | -                                   | 13 | 12 | 11 | 10 | 9  | 8  | 7  | -  | 5  | -  | 3  | 2  | 1  |
| MX123 CONN ASSY 73 CKT BLU OPT9 KEY C/39 | 345667993            | C-HSG-C9          | G-CAP-9-P   | TPA-C9 | RS          | LS         | MAL               | CPA | MSEAL    | RSEAL     | 72   | 71 | -  | -  | 68 | -  | -  | 65 | -  | 63 | 62 | -  | -  | 59 | 58 | -  | 56     | 55       | -                                   | 53 |    |    |    |    |    |    |    |    |    |    |    |    |
|  |                      |                   |             |        |             |            |                   |     |          |           | -  | -  | -  | -  | -  | -  | -  | -  | -  | 43 | 42 | -  | 40 | 39 | 38 | -  | 36     | 35       | -                                   | -  |    |    |    |    |    |    |    |    |    |    |    |    |
|  |                      |                   |             |        |             |            |                   |     |          |           | -  |    |    |    |    |    |    |    |    |    |    |    |    |    |    |    | -      | 31       | 30                                  | 29 | -  | -  | 26 | -  | 24 | 23 | 22 | 21 | 20 | 19 | -  | -  |
|  |                      |                   |             |        |             |            |                   |     |          |           | -  |    |    |    |    |    |    |    |    |    |    |    |    |    |    |    | -      | -        | -                                   | -  | -  | -  | -  | -  | -  | -  | 6  | 5  | 4  | 3  | 2  | 1  |
| MX123 CONN ASSY 73 CKT BLK OPT0 KEY A/33 | 345668003            | C-HSG-A0          | G-CAP-0-P   | TPA-A0 | RS          | LS         | MAL               | CPA | MSEAL    | RSEAL     | 72   | 71 | 70 | -  | -  | 67 | 66 | -  | -  | -  | 62 | -  | -  | -  | -  | 57 | -      | 55       | 54                                  | 53 |    |    |    |    |    |    |    |    |    |    |    |    |
|  |                      |                   |             |        |             |            |                   |     |          |           | -  | 51 | -  | -  | -  | -  | 46 | 45 | 44 | 43 | 42 | -  | 40 | 39 | -  | -  | -      | 35       | -                                   | -  |    |    |    |    |    |    |    |    |    |    |    |    |
|  |                      |                   |             |        |             |            |                   |     |          |           | -  |    |    |    |    |    |    |    |    |    |    |    |    |    |    |    | -      | -        | -                                   | -  | -  | -  | 26 | 25 | -  | -  | 22 | 21 | -  | -  | -  | -  |
|  |                      |                   |             |        |             |            |                   |     |          |           | -  |    |    |    |    |    |    |    |    |    |    |    |    |    |    |    | -      | 15       | 14                                  | -  | -  | -  | -  | -  | 8  | 7  | 6  | 5  | 4  | 3  | 2  | -  |
| MX123 CONN ASSY 73 CKT BLU OPT9 KEY C/38 | 345668013            | C-HSG-C9          | G-CAP-9-P   | TPA-C9 | RS          | LS         | MAL               | CPA | MSEAL    | RSEAL     | 72   | -  | 70 | 69 | 68 | -  | 66 | -  | -  | 63 | 62 | -  | -  | -  | 58 | -  | 56     | 55       | -                                   | 53 |    |    |    |    |    |    |    |    |    |    |    |    |
|  |                      |                   |             |        |             |            |                   |     |          |           | -  | -  | -  | 49 | -  | -  | 46 | -  | -  | 43 | 42 | -  | 40 | -  | 38 | -  | 36     | 35       | -                                   | -  |    |    |    |    |    |    |    |    |    |    |    |    |
|  |                      |                   |             |        |             |            |                   |     |          |           | -  |    |    |    |    |    |    |    |    |    |    |    |    |    |    |    | -      | 31       | 30                                  | 29 | -  | -  | 26 | -  | 24 | -  | 22 | 21 | 20 | 19 | -  | 17 |
|  |                      |                   |             |        |             |            |                   |     |          |           | -  |    |    |    |    |    |    |    |    |    |    |    |    |    |    |    | -      | -        | -                                   | -  | -  | -  | -  | -  | -  | -  | 6  | 5  | 4  | 3  | 2  | 1  |

| ASSEMBLY DESCRIPTION                     | ASSEMBLY PART NUMBER | CONNECTOR HOUSING | GROMMET CAP | TPA    | RIGHT SLIDE | LEFT SLIDE | MATE ASSIST LEVER | CPA | MAT SEAL | RING SEAL | BLOCKED TERMINALS  |    |    |    |    |    |    |    |    |    |    |    |    |    |    |    |    |    | STATUS | COMMENTS | INTEGRAL COMPONENTS SOLD SEPARATELY |
|--|----------------------|-------------------|-------------|--------|-------------|------------|-------------------|-----|----------|-----------|--|----|----|----|----|----|----|----|----|----|----|----|----|----|----|----|----|----|--------|----------|-------------------------------------|
|  |                      |                   |             |        |             |            |                   |     |          |           | CAVITY WITH A NUMBER INDICATES BLOCKED TERMINAL POSITION |    |    |    |    |    |    |    |    |    |    |    |    |    |    |    |    |    |        |          | DRESS COVER                         |
|  |                      |                   |             |        |             |            |                   |     |          |           | CAVITY WITHOUT A NUMBER INDICATES OPEN TERMINAL POSITION |    |    |    |    |    |    |    |    |    |    |    |    |    |    |    |    |    |        |          |                                     |
| MX123 CONN ASSY 73 CKT BLU OPT9 KEY C/35 | 345668023            | C-HSG-C9          | G-CAP-9-P   | TPA-C9 | RS          | LS         | MAL               | CPA | MSEAL    | RSEAL     | -  | 71 | 70 | -  | -  | 67 | 66 | 65 | 64 | -  | -  | 61 | 60 | -  | 58 | 57 | -  | -  | 54     | -        |                                     |
|  |                      |                   |             |        |             |            |                   |     |          |           | 52   | 51 | 50 | 49 | 48 | 47 | -  | 45 | 44 | -  | -  | 41 | -  | -  | 38 | 37 | -  | -  | 34     | 33       |                                     |
|  |                      |                   |             |        |             |            |                   |     |          |           |  |    |    |    | 32 | -  | -  | -  | 28 | 27 | -  | 25 | -  | -  | -  | -  | -  | -  | -      | 18       | 17                                  |
|  |                      |                   |             |        |             |            |                   |     |          |           |  |    |    |    | 16 | 15 | 14 | 13 | 12 | 11 | 10 | 9  | -  | -  | -  | -  | -  | -  | -      | -        | -                                   |
| MX123 CONN ASSY 73 CKT GRY OPT9 KEY B/39 | 345668033            | C-HSG-B9          | G-CAP-9-P   | TPA-B9 | RS          | LS         | MAL               | CPA | MSEAL    | RSEAL     | 72   | -  | -  | -  | 68 | -  | -  | -  | -  | -  | 62 | 61 | 60 | 59 | -  | -  | -  | 55 | -      | 53       |                                     |
|  |                      |                   |             |        |             |            |                   |     |          |           | 52   | -  | -  | -  | 48 | 47 | 46 | -  | 44 | 43 | -  | 41 | 40 | -  | 38 | 37 | 36 | 35 | -      | -        |                                     |
|  |                      |                   |             |        |             |            |                   |     |          |           |  |    |    |    | -  | -  | 30 | -  | -  | -  | -  | -  | -  | -  | 22 | 21 | 20 | 19 | 18     | 17       |                                     |
|  |                      |                   |             |        |             |            |                   |     |          |           |  |    |    |    | 16 | 15 | 14 | -  | -  | -  | -  | -  | 8  | -  | 6  | -  | 4  | -  | -      | -        | 1                                   |
| MX123 CONN ASSY 73 CKT BLK OPT9 KEY A/28 | 345668043            | C-HSG-A9          | G-CAP-9-P   | TPA-A9 | RS          | LS         | MAL               | CPA | MSEAL    | RSEAL     | 72   | 71 | 70 | 69 | 68 | -  | 66 | 65 | 64 | 63 | -  | -  | 60 | -  | -  | 57 | 56 | -  | 54     | -        |                                     |
|  |                      |                   |             |        |             |            |                   |     |          |           | 52   | 51 | 50 | 49 | 48 | -  | 46 | 45 | 44 | 43 | -  | 41 | 40 | 39 | 38 | 37 | 36 | -  | 34     | -        |                                     |
|  |                      |                   |             |        |             |            |                   |     |          |           |  |    |    |    | 32 | 31 | 30 | 29 | 28 | -  | -  | -  | -  | 23 | 22 | 21 | -  | -  | -      | -        |                                     |
|  |                      |                   |             |        |             |            |                   |     |          |           |  |    |    |    | -  | 15 | 14 | 13 | 12 | -  | -  | -  | -  | 7  | 6  | 5  | -  | -  | -      | 2        | -                                   |
| MX123 CONN ASSY 73 CKT BLK OPT9 KEY A/27 | 345668053            | C-HSG-A9          | G-CAP-9-P   | TPA-A9 | RS          | LS         | MAL               | CPA | MSEAL    | RSEAL     | -  | 71 | 70 | 69 | -  | -  | -  | 65 | 64 | 63 | 62 | 61 | 60 | -  | 58 | 57 | 56 | 55 | 54     | 53       |                                     |
|  |                      |                   |             |        |             |            |                   |     |          |           | 52   | 51 | 50 | 49 | 48 | 47 | -  | 45 | 44 | 43 | 42 | 41 | -  | 39 | -  | 37 | 36 | -  | 34     | -        |                                     |
|  |                      |                   |             |        |             |            |                   |     |          |           |  |    |    |    | 32 | -  | 30 | 29 | 28 | 27 | 26 | -  | 24 | -  | -  | -  | -  | -  | -      | 18       | -                                   |
|  |                      |                   |             |        |             |            |                   |     |          |           |  |    |    |    | 16 | 15 | 14 | 13 | 12 | 11 | 10 | -  | -  | -  | -  | -  | -  | -  | 3      | -        | -                                   |
| MX123 CONN ASSY 73 CKT BLU OPT9 KEY C/30 | 345668063            | C-HSG-C9          | G-CAP-9-P   | TPA-C9 | RS          | LS         | MAL               | CPA | MSEAL    | RSEAL     | 72   | -  | 70 | -  | 68 | 67 | 66 | -  | -  | 63 | 62 | -  | -  | 59 | -  | 57 | -  | -  | -      | 53       |                                     |
|  |                      |                   |             |        |             |            |                   |     |          |           | 52   | 51 | -  | 49 | 48 | 47 | 46 | -  | 44 | -  | -  | 41 | 40 | 39 | -  | 37 | 36 | -  | 34     | 33       |                                     |
|  |                      |                   |             |        |             |            |                   |     |          |           |  |    |    |    | 32 | -  | 30 | -  | -  | 27 | 26 | 25 | 24 | -  | 22 | 21 | 20 | -  | -      | -        |                                     |
|  |                      |                   |             |        |             |            |                   |     |          |           |  |    |    |    | -  | 15 | 14 | 13 | -  | -  | 10 | 9  | 8  | -  | 6  | 5  | 4  | -  | -      | 2        | -                                   |
| MX123 CONN ASSY 73 CKT GRY OPT9 KEY B/21 | 345668073            | C-HSG-B9          | G-CAP-9-P   | TPA-B9 | RS          | LS         | MAL               | CPA | MSEAL    | RSEAL     | 72   | 71 | 70 | -  | 68 | 67 | 66 | -  | -  | 62 | 61 | 60 | 59 | 58 | 57 | 56 | 55 | 54 | 53     |          |                                     |
|  |                      |                   |             |        |             |            |                   |     |          |           | 52   | 51 | 50 | -  | 48 | 47 | 46 | -  | -  | 42 | 41 | 40 | 39 | 38 | 37 | 36 | 35 | 34 | 33     |          |                                     |
|  |                      |                   |             |        |             |            |                   |     |          |           |  |    |    |    | 32 | 31 | 30 | 29 | 28 | 27 | 26 | 25 | 24 | -  | -  | -  | -  | -  | 18     | 17       |                                     |
|  |                      |                   |             |        |             |            |                   |     |          |           |  |    |    |    | 16 | 15 | 14 | 13 | -  | -  | 10 | -  | 8  | -  | -  | -  | -  | 3  | 2      | 1        |                                     |
| MX123 CONN ASSY 73 CKT GRY OPT9 KEY B/11 | 345668083            | C-HSG-B9          | G-CAP-9-P   | TPA-B9 | RS          | LS         | MAL               | CPA | MSEAL    | RSEAL     | 72   | 71 | 70 | 69 | 68 | 67 | 66 | 65 | 64 | 63 | -  | 61 | 60 | -  | -  | 57 | 56 | 55 | -      | -        |                                     |
|  |                      |                   |             |        |             |            |                   |     |          |           | 52   | 51 | 50 | 49 | 48 | 47 | 46 | 45 | 44 | 43 | -  | 41 | 40 | -  | 38 | 37 | 36 | 35 | 34     | 33       |                                     |
|  |                      |                   |             |        |             |            |                   |     |          |           |  |    |    |    | 32 | 31 | 30 | 29 | 28 | -  | 26 | 25 | 24 | 23 | 22 | 21 | 20 | 19 | 18     | 17       |                                     |
|  |                      |                   |             |        |             |            |                   |     |          |           |  |    |    |    | 16 | 15 | 14 | 13 | 12 | 11 | -  | -  | 8  | 7  | 6  | 5  | 4  | 3  | 2      | 1        |                                     |
| MX123 CONN ASSY 73 CKT BLK OPT9 KEY A/37 | 345668093            | C-HSG-A9          | G-CAP-9-P   | TPA-A9 | RS          | LS         | MAL               | CPA | MSEAL    | RSEAL     | 72   | -  | 70 | -  | -  | 67 | -  | -  | -  | 63 | -  | -  | 60 | 59 | 58 | 57 | 56 | 55 | -      | -        |                                     |
|  |                      |                   |             |        |             |            |                   |     |          |           | 52   | 51 | -  | -  | 48 | 47 | 46 | -  | -  | 43 | 42 | -  | 40 | 39 | 38 | 37 | 36 | 35 | -      | -        |                                     |
|  |                      |                   |             |        |             |            |                   |     |          |           |  |    |    |    | -  | -  | -  | -  | 28 | 27 | -  | -  | -  | -  | 22 | 21 | -  | -  | 18     | 17       |                                     |
|  |                      |                   |             |        |             |            |                   |     |          |           |  |    |    |    | -  | -  | -  | -  | 12 | 11 | -  | 9  | -  | 7  | -  | 5  | -  | -  | 2      | 1        |                                     |
| MX123 CONN ASSY 73 CKT BLU OPT9 KEY C/34 | 345668113            | C-HSG-C9          | G-CAP-9-P   | TPA-C9 | RS          | LS         | MAL               | CPA | MSEAL    | RSEAL     | 72   | 71 | 70 | 69 | -  | 67 | 66 | 65 | 64 | -  | -  | -  | -  | -  | -  | 56 | -  | 54 | -      |          |                                     |
|  |                      |                   |             |        |             |            |                   |     |          |           | 52   | 51 | 50 | 49 | -  | 47 | 46 | 45 | 44 | -  | -  | -  | -  | 39 | 38 | -  | -  | -  | 34     | -        |                                     |
|  |                      |                   |             |        |             |            |                   |     |          |           |  |    |    |    | -  | 31 | 30 | 29 | 28 | -  | 26 | 25 | -  | 23 | 22 | 21 | -  | -  | -      | 17       |                                     |
|  |                      |                   |             |        |             |            |                   |     |          |           |  |    |    |    | 16 | 15 | 14 | 13 | 12 | -  | -  | 9  | -  | 7  | 6  | -  | -  | -  | -      | -        |                                     |
| MX123 CONN ASSY 73 CKT BLU OPT0 KEY C/34 | 345668153            | C-HSG-C0          | G-CAP-0-P   | TPA-C0 | RS          | LS         | MAL               | CPA | MSEAL    | RSEAL     | -  | -  | -  | -  | -  | -  | -  | -  | -  | -  | -  | -  | -  | -  | -  | -  | -  | 54 | 53     |          |                                     |
|  |                      |                   |             |        |             |            |                   |     |          |           | -  | -  | -  | 49 | 48 | 47 | 46 | 45 | 44 | 43 | -  | -  | 40 | 39 | 38 | 37 | 36 | -  | -      | -        |                                     |
|  |                      |                   |             |        |             |            |                   |     |          |           |  |    |    |    | 32 | 31 | 30 | 29 | -  | -  | 26 | 25 | 24 | 23 | 22 | 21 | 20 | 19 | -      | 17       |                                     |
|  |                      |                   |             |        |             |            |                   |     |          |           |  |    |    |    | -  | 15 | -  | -  | 12 | 11 | 10 | 9  | 8  | 7  | 6  | 5  | 4  | -  | 2      | 1        |                                     |
| MX123 CONN ASSY 73 CKT GRY OPT9 KEY B/36 | 345668163            | C-HSG-B9          | G-CAP-9-P   | TPA-B9 | RS          | LS         | MAL               | CPA | MSEAL    | RSEAL     | 72   | 71 | 70 | 69 | -  | -  | 66 | 65 | -  | -  | 62 | 61 | 60 | -  | -  | 57 | 56 | -  | -      | 53       |                                     |
|  |                      |                   |             |        |             |            |                   |     |          |           | 52   | 51 | 50 | 49 | 48 | -  | -  | -  | -  | -  | 42 | 41 | 40 | -  | -  | 37 | 36 | -  | 34     | 33       |                                     |
|  |                      |                   |             |        |             |            |                   |     |          |           |  |    |    |    | -  | -  | -  | -  | -  | -  | 26 | 25 | 24 | -  | -  | 21 | 20 | -  | 18     | -        |                                     |
|  |                      |                   |             |        |             |            |                   |     |          |           |  |    |    |    | 16 | -  | 14 | -  | -  | -  | -  | -  | 8  | 7  | -  | 5  | -  | 3  | 2      | -        |                                     |
| MX123 CONN ASSY 73 CKT GRY OPT0 KEY B/27 | 345668173            | C-HSG-B0          | G-CAP-0-P   | TPA-B0 | RS          | LS         | MAL               | CPA | MSEAL    | RSEAL     | -  | 71 | -  | 69 | -  | -  | 66 | 65 | 64 | -  | -  | -  | -  | -  | 58 | 57 | 56 | 55 | 54     | 53       |                                     |
|  |                      |                   |             |        |             |            |                   |     |          |           | -  | 51 | 50 | 49 | 48 | 47 | -  | 45 | 44 | -  | 42 | -  | -  | 39 | 38 | 37 | 36 | 35 | 34     | 33       |                                     |
|  |                      |                   |             |        |             |            |                   |     |          |           |  |    |    |    | 32 | 31 | 30 | 29 | 28 | -  | 26 | 25 | 24 | 23 | -  | -  | -  | -  | -      | 17       |                                     |
|  |                      |                   |             |        |             |            |                   |     |          |           |  |    |    |    | -  | 15 | -  | 13 | 12 | -  | 10 | 9  | -  | 7  | -  | 5  | -  | 3  | 2      | 1        |                                     |



| ASSEMBLY DESCRIPTION                     | ASSEMBLY PART NUMBER | CONNECTOR HOUSING | GROMMET CAP | TPA    | RIGHT SLIDE | LEFT SLIDE | MATE ASSIST LEVER | CPA | MAT SEAL | RING SEAL | BLOCKED TERMINALS  |    |    |    |    |    |    |    |    |    |    |    |    |    |    |    |    |    | STATUS | COMMENTS | INTEGRAL COMPONENTS SOLD SEPARATELY |           |           |    |    |    |    |    |    |    |
|--|----------------------|-------------------|-------------|--------|-------------|------------|-------------------|-----|----------|-----------|--|----|----|----|----|----|----|----|----|----|----|----|----|----|----|----|----|----|--------|----------|-------------------------------------|-----------|-----------|----|----|----|----|----|----|----|
|  |                      |                   |             |        |             |            |                   |     |          |           | CAVITY WITH A NUMBER INDICATES BLOCKED TERMINAL POSITION |    |    |    |    |    |    |    |    |    |    |    |    |    |    |    |    |    |        |          | DRESS COVER                         |           |           |    |    |    |    |    |    |    |
|  |                      |                   |             |        |             |            |                   |     |          |           | CAVITY WITHOUT A NUMBER INDICATES OPEN TERMINAL POSITION |    |    |    |    |    |    |    |    |    |    |    |    |    |    |    |    |    |        |          |                                     |           |           |    |    |    |    |    |    |    |
| MX123 CONN ASSY 73 CKT BLK OPT0 KEY A/42 | 345668203            | C-HSG-A0          | G-CAP-0-P   | TPA-A0 | RS          | LS         | MAL               | CPA | MSEAL    | RSEAL     | 72   | 71 | -  | 69 | 68 | -  | -  | 65 | 64 | 63 | 62 | 61 | 60 | 59 | -  | 57 | -  | -  | -      | 53       | SALEABLE                            |           | 345650003 |    |    |    |    |    |    |    |
|  |                      |                   |             |        |             |            |                   |     |          |           | 52   | 51 | 50 | 49 | 48 | -  | 46 | 45 | -  | -  | -  | -  | 40 | -  | 38 | -  | -  | 35 | -      | 33       |                                     |           |           |    |    |    |    |    |    |    |
|  |                      |                   |             |        |             |            |                   |     |          |           |  |    |    |    |    |    |    |    |    |    |    | 32 | -  | -  | 29 | 28 | -  | 26 | -      | -        |                                     |           |           | 23 | 22 | -  | -  | -  | -  | 17 |
|  |                      |                   |             |        |             |            |                   |     |          |           |  |    |    |    |    |    |    |    |    |    |    | 16 | 15 | 14 | -  | 12 | 11 | 10 | 9      | 8        |                                     |           |           | 7  | -  | -  | -  | -  | 2  | -  |
| MX123 CONN ASSY 73 CKT BLK OPT9 KEY A/22 | 345668223            | C-HSG-A9          | G-CAP-9-P   | TPA-A9 | RS          | LS         | MAL               | CPA | MSEAL    | RSEAL     | -  | 71 | 70 | 69 | 68 | 67 | 66 | 65 | 64 | 63 | -  | -  | 60 | -  | 58 | -  | 56 | -  | 54     | 53       | SALEABLE                            |           | 345650003 |    |    |    |    |    |    |    |
|  |                      |                   |             |        |             |            |                   |     |          |           | -  | -  | 50 | 49 | 48 | 47 | 46 | 45 | 44 | 43 | 42 | 41 | -  | 39 | 38 | -  | 36 | 35 | 34     | 33       |                                     |           |           |    |    |    |    |    |    |    |
|  |                      |                   |             |        |             |            |                   |     |          |           |  |    |    |    |    |    |    |    |    |    |    | -  | 31 | 30 | -  | 28 | 27 | 26 | -      | 24       |                                     |           |           | 23 | 22 | 21 | -  | 19 | 18 | 17 |
|  |                      |                   |             |        |             |            |                   |     |          |           |  |    |    |    |    |    |    |    |    |    |    | -  | -  | -  | 13 | -  | -  | -  | -      | 8        |                                     |           |           | 7  | 6  | 5  | 4  | 3  | 2  | 1  |
| MX123 CONN ASSY 73 CKT BLK OPT9 KEY A/43 | 345668293            | C-HSG-A9          | G-CAP-9-P   | TPA-A9 | RS          | LS         | MAL               | CPA | MSEAL    | RSEAL     | 72   | -  | -  | -  | -  | -  | -  | -  | 64 | -  | 62 | 61 | -  | -  | -  | 57 | 56 | 55 | 54     | 53       | SALEABLE                            |           | 345650003 |    |    |    |    |    |    |    |
|  |                      |                   |             |        |             |            |                   |     |          |           | 52   | 51 | -  | -  | -  | -  | 46 | 45 | -  | 43 | -  | 41 | 40 | -  | -  | 37 | -  | -  | -      | -        |                                     |           |           |    |    |    |    |    |    |    |
|  |                      |                   |             |        |             |            |                   |     |          |           |  |    |    |    |    |    |    |    |    |    |    | 32 | -  | 30 | 29 | -  | 27 | -  | 25     | -        |                                     |           |           | -  | -  | -  | 20 | -  | -  | -  |
|  |                      |                   |             |        |             |            |                   |     |          |           |  |    |    |    |    |    |    |    |    |    |    | 16 | 15 | -  | 13 | -  | 11 | 10 | 9      | -        |                                     |           |           | -  | -  | -  | 4  | -  | -  | -  |
| MX123 CONN ASSY 73 CKT BLK OPT0 KEY A/14 | 345668303            | C-HSG-A0          | G-CAP-0-P   | TPA-A0 | RS          | LS         | MAL               | CPA | MSEAL    | RSEAL     | -  | -  | 70 | -  | -  | -  | -  | 65 | -  | -  | -  | 61 | 60 | -  | -  | -  | -  | 55 | -      | -        | SALEABLE                            |           | 345650003 |    |    |    |    |    |    |    |
|  |                      |                   |             |        |             |            |                   |     |          |           | -  | -  | -  | -  | -  | -  | -  | 45 | -  | -  | -  | 41 | 40 | -  | -  | -  | -  | -  | -      | -        |                                     |           |           |    |    |    |    |    |    |    |
|  |                      |                   |             |        |             |            |                   |     |          |           |  |    |    |    |    |    |    |    |    |    |    | -  | -  | -  | -  | 28 | -  | 26 | 25     | -        |                                     |           |           | -  | -  | -  | -  | -  | 18 | -  |
|  |                      |                   |             |        |             |            |                   |     |          |           |  |    |    |    |    |    |    |    |    |    |    | 16 | -  | -  | -  | -  | -  | 10 | -      | -        |                                     |           |           | -  | -  | -  | -  | -  | -  | -  |
| MX123 CONN ASSY 73 CKT BLK OPT9 KEY A/41 | 345668313            | C-HSG-A9          | G-CAP-9-P   | TPA-A9 | RS          | LS         | MAL               | CPA | MSEAL    | RSEAL     | 72   | -  | -  | -  | 68 | -  | -  | -  | 64 | -  | 62 | 61 | -  | -  | -  | 57 | 56 | 55 | 54     | 53       | SALEABLE                            |           | 345650003 |    |    |    |    |    |    |    |
|  |                      |                   |             |        |             |            |                   |     |          |           | 52   | 51 | -  | -  | -  | -  | 46 | 45 | -  | 43 | -  | 40 | -  | -  | 37 | -  | -  | -  | -      |          |                                     |           |           |    |    |    |    |    |    |    |
|  |                      |                   |             |        |             |            |                   |     |          |           |  |    |    |    |    |    |    |    |    |    |    | 32 | -  | 30 | 29 | -  | 27 | -  | 25     | -        |                                     |           |           | -  | -  | -  | 20 | -  | -  | -  |
|  |                      |                   |             |        |             |            |                   |     |          |           |  |    |    |    |    |    |    |    |    |    |    | 16 | 15 | 14 | 13 | -  | 11 | 10 | 9      | -        |                                     |           |           | -  | -  | -  | 5  | 4  | -  | -  |
| MX123 CONN ASSY 73 CKT BLK OPT9 KEY A/38 | 345668323            | C-HSG-A9          | G-CAP-9-P   | TPA-A9 | RS          | LS         | MAL               | CPA | MSEAL    | RSEAL     | 72   | -  | -  | -  | -  | -  | -  | -  | 64 | -  | 62 | 61 | -  | 59 | 58 | 57 | 56 | 55 | 54     | -        | SALEABLE                            |           | 345650003 |    |    |    |    |    |    |    |
|  |                      |                   |             |        |             |            |                   |     |          |           | 52   | 51 | -  | -  | 48 | -  | 46 | 45 | -  | 43 | -  | 41 | 40 | -  | -  | 37 | -  | 35 | 34     | -        |                                     |           |           |    |    |    |    |    |    |    |
|  |                      |                   |             |        |             |            |                   |     |          |           |  |    |    |    |    |    |    |    |    |    |    | 32 | -  | 30 | 29 | -  | 27 | -  | 25     | -        |                                     |           |           | -  | -  | -  | 20 | -  | -  | -  |
|  |                      |                   |             |        |             |            |                   |     |          |           |  |    |    |    |    |    |    |    |    |    |    | 16 | 15 | -  | 13 | -  | 11 | 10 | 9      | -        |                                     |           |           | -  | -  | -  | 4  | 3  | -  | -  |
| MX123 CONN ASSY 73 CKT BLK OPT9 KEY A/42 | 345668333            | C-HSG-A9          | G-CAP-9-P   | TPA-A9 | RS          | LS         | MAL               | CPA | MSEAL    | RSEAL     | 72   | -  | -  | -  | -  | -  | -  | -  | 64 | -  | 62 | 61 | -  | 59 | -  | 57 | 56 | 55 | 54     | -        | SALEABLE                            |           | 345650003 |    |    |    |    |    |    |    |
|  |                      |                   |             |        |             |            |                   |     |          |           | 52   | 51 | -  | -  | -  | -  | 46 | 45 | -  | 43 | -  | 40 | -  | -  | 37 | -  | 35 | 34 | -      |          |                                     |           |           |    |    |    |    |    |    |    |
|  |                      |                   |             |        |             |            |                   |     |          |           |  |    |    |    |    |    |    |    |    |    |    | 32 | -  | 30 | 29 | -  | 27 | -  | 25     | -        |                                     |           |           | -  | -  | -  | 20 | -  | -  | -  |
|  |                      |                   |             |        |             |            |                   |     |          |           |  |    |    |    |    |    |    |    |    |    |    | 16 | 15 | -  | 13 | -  | 11 | 10 | 9      | -        |                                     |           |           | -  | -  | -  | 4  | -  | -  | -  |
| MX123 CONN ASSY 73 CKT BLK OPT9 KEY A/40 | 345668343            | C-HSG-A9          | G-CAP-9-P   | TPA-A9 | RS          | LS         | MAL               | CPA | MSEAL    | RSEAL     | 72   | -  | -  | -  | -  | -  | -  | -  | 64 | -  | 62 | 61 | -  | -  | 58 | 57 | 56 | 55 | 54     | 53       | SALEABLE                            |           | 345650003 |    |    |    |    |    |    |    |
|  |                      |                   |             |        |             |            |                   |     |          |           | 52   | 51 | -  | -  | 48 | -  | 46 | 45 | -  | 43 | -  | 41 | 40 | -  | -  | 37 | -  | -  | -      | -        |                                     |           |           |    |    |    |    |    |    |    |
|  |                      |                   |             |        |             |            |                   |     |          |           |  |    |    |    |    |    |    |    |    |    |    | 32 | -  | 30 | 29 | -  | 27 | -  | 25     | -        |                                     |           |           | -  | -  | -  | 20 | -  | -  | -  |
|  |                      |                   |             |        |             |            |                   |     |          |           |  |    |    |    |    |    |    |    |    |    |    | 16 | 15 | -  | 13 | -  | 11 | 10 | 9      | -        |                                     |           |           | -  | -  | -  | 4  | 3  | -  | -  |
| MX123 CONN ASSY 73 CKT BLK OPT9 KEY A/31 | 345668353            | C-HSG-A9          | G-CAP-9-P   | TPA-A9 | RS          | LS         | MAL               | CPA | MSEAL    | RSEAL     | -  | 71 | 70 | 69 | 68 | 67 | 66 | 65 | -  | 63 | -  | -  | 60 | 59 | 58 | -  | -  | -  | -      | -        | SALEABLE                            |           | 345650003 |    |    |    |    |    |    |    |
|  |                      |                   |             |        |             |            |                   |     |          |           | -  | -  | 50 | 49 | 48 | 47 | -  | -  | 44 | -  | 42 | -  | -  | 39 | 38 | -  | 36 | 35 | 34     | 33       |                                     |           |           |    |    |    |    |    |    |    |
|  |                      |                   |             |        |             |            |                   |     |          |           |  |    |    |    |    |    |    |    |    |    |    | -  | 31 | -  | -  | 28 | -  | 26 | -      | 24       |                                     |           |           | 23 | 22 | 21 | -  | 19 | 18 | 17 |
|  |                      |                   |             |        |             |            |                   |     |          |           |  |    |    |    |    |    |    |    |    |    |    | -  | -  | 14 | -  | 12 | -  | -  | -      | 8        |                                     |           |           | 7  | 6  | 5  | -  | 3  | 2  | 1  |
| MX123 CONN ASSY 73 CKT BLK OPT9 KEY A/33 | 345668363            | C-HSG-A9          | G-CAP-9-P   | TPA-A9 | RS          | LS         | MAL               | CPA | MSEAL    | RSEAL     | -  | 71 | 70 | 69 | -  | 67 | 66 | 65 | -  | 63 | -  | -  | 60 | 59 | 58 | -  | -  | -  | -      | -        | SALEABLE                            |           | 345650003 |    |    |    |    |    |    |    |
|  |                      |                   |             |        |             |            |                   |     |          |           | -  | -  | 50 | 49 | 48 | 47 | -  | -  | 44 | -  | 42 | 41 | -  | 39 | 38 | -  | 36 | 35 | 34     | 33       |                                     |           |           |    |    |    |    |    |    |    |
|  |                      |                   |             |        |             |            |                   |     |          |           |  |    |    |    |    |    |    |    |    |    |    | -  | 31 | -  | -  | 28 | -  | 26 | -      | 24       |                                     |           |           | 23 | 22 | 21 | -  | 19 | 18 | 17 |
|  |                      |                   |             |        |             |            |                   |     |          |           |  |    |    |    |    |    |    |    |    |    |    | -  | -  | -  | -  | 12 | -  | -  | -      | 8        |                                     |           |           | 7  | 6  | -  | -  | 3  | 2  | 1  |
| MX123 CONN ASSY 73 CKT BLK OPT9 KEY A/36 | 345668373            | C-HSG-A9          | G-CAP-9-P   | TPA-A9 | RS          | LS         | MAL               | CPA | MSEAL    | RSEAL     | -  | 71 | 70 | 69 | 68 | 67 | 66 | 65 | -  | 63 | -  | -  | 60 | -  | -  | -  | -  | -  | 53     | SALEABLE |                                     | 345650003 |           |    |    |    |    |    |    |    |
|  |                      |                   |             |        |             |            |                   |     |          |           | -  | -  | 50 | 49 | -  | 47 | -  | -  | 44 | -  | 42 | -  | -  | 39 | 38 | -  | 36 | -  | -      |          |                                     |           | 33        |    |    |    |    |    |    |    |
|  |                      |                   |             |        |             |            |                   |     |          |           |  |    |    |    |    |    |    |    |    |    |    | -  | 31 | -  | -  | 28 | -  | 26 | -      |          |                                     |           | 24        | 23 | 22 | 21 | -  | 19 | 18 | 17 |
|  |                      |                   |             |        |             |            |                   |     |          |           |  |    |    |    |    |    |    |    |    |    |    | -  | -  | 14 | -  | 12 | -  | -  | -      |          |                                     |           | 8         | 7  | 6  | 5  | -  | -  | 2  | 1  |
| MX123 CONN ASSY 73 CKT BLK OPT9 KEY A/32 | 345668383            | C-HSG-A9          | G-CAP-9-P   | TPA-A9 | RS          | LS         | MAL               | CPA | MSEAL    | RSEAL     | -  | 71 | 70 | 69 | 68 | 67 | 66 | 65 | -  | 63 | -  | -  | 60 | -  | 58 | -  | -  | -  | 53     | SALEABLE |                                     | 345650003 |           |    |    |    |    |    |    |    |
|  |                      |                   |             |        |             |            |                   |     |          |           | -  | -  | 50 | 49 | 48 | 47 | -  | -  | 44 | -  | 42 | 41 | -  | 39 | 38 | -  | 36 | -  | -      |          |                                     |           | 33        |    |    |    |    |    |    |    |
|  |                      |                   |             |        |             |            |                   |     |          |           |  |    |    |    |    |    |    |    |    |    |    | -  | 31 | -  | -  | 28 | -  | 26 | -      |          |                                     |           | 24        | 23 | 22 | 21 | -  | 19 | 18 | 17 |
|  |                      |                   |             |        |             |            |                   |     |          |           |  |    |    |    |    |    |    |    |    |    |    | -  | -  | 14 | -  | 12 | -  | -  | -      |          |                                     |           | 8         | 7  | 6  | 5  | -  | 3  | 2  | 1  |

| ASSEMBLY DESCRIPTION                     | ASSEMBLY PART NUMBER | CONNECTOR HOUSING | GROMMET CAP | TPA    | RIGHT SLIDE | LEFT SLIDE | MATE ASSIST LEVER | CPA | MAT SEAL | RING SEAL | BLOCKED TERMINALS  |    |    |    |    |    |    |    |    |    |    |    |    |    |    |    | STATUS | COMMENTS | INTEGRAL COMPONENTS SOLD SEPARATELY |    |
|--|----------------------|-------------------|-------------|--------|-------------|------------|-------------------|-----|----------|-----------|--|----|----|----|----|----|----|----|----|----|----|----|----|----|----|----|--------|----------|-------------------------------------|----|
|  |                      |                   |             |        |             |            |                   |     |          |           | CAVITY WITH A NUMBER INDICATES BLOCKED TERMINAL POSITION |    |    |    |    |    |    |    |    |    |    |    |    |    |    |    |        |          | DRESS COVER                         |    |
|  |                      |                   |             |        |             |            |                   |     |          |           | CAVITY WITHOUT A NUMBER INDICATES OPEN TERMINAL POSITION |    |    |    |    |    |    |    |    |    |    |    |    |    |    |    |        |          |                                     |    |
| MX123 CONN ASSY 73 CKT BLK OPT0 KEY A/44 | 345668393            | C-HSG-A0          | G-CAP-0-P   | TPA-A0 | RS          | LS         | MAL               | CPA | MSEAL    | RSEAL     | -  | 71 | -  | 69 | 68 | 67 | 66 | 65 | 64 | -  | -  | 61 | 60 | 59 | 58 | 57 | -      | -        | -                                   | -  |
|  |                      |                   |             |        |             |            |                   |     |          |           | -  | -  | 50 | -  | -  | 47 | 46 | 45 | 44 | -  | 42 | 41 | 40 | 39 | 38 | 37 | -      | -        | -                                   | -  |
|  |                      |                   |             |        |             |            |                   |     |          |           | -  | -  | -  | -  | 32 | -  | -  | -  | -  | -  | 26 | 25 | -  | -  | -  | -  | -      | -        | -                                   | -  |
| MX123 CONN ASSY 73 CKT GRY OPT0 KEY B/48 | 345668403            | C-HSG-B0          | G-CAP-0-P   | TPA-B0 | RS          | LS         | MAL               | CPA | MSEAL    | RSEAL     | 72   | 71 | 70 | 69 | 68 | 67 | 66 | -  | -  | 63 | 62 | 61 | 60 | -  | 58 | -  | 56     | -        | 54                                  | -  |
|  |                      |                   |             |        |             |            |                   |     |          |           | 52   | 51 | -  | -  | -  | 47 | -  | 45 | 44 | 43 | 42 | 41 | 40 | -  | 38 | -  | 36     | -        | 34                                  | -  |
|  |                      |                   |             |        |             |            |                   |     |          |           | -  | -  | -  | -  | 32 | -  | 31 | 30 | -  | 28 | 27 | 26 | 25 | -  | 22 | -  | 20     | 19       | 18                                  | 17 |
| MX123 CONN ASSY 73 CKT BLK OPT0 KEY A/43 | 345668413            | C-HSG-A0          | G-CAP-0-P   | TPA-A0 | RS          | LS         | MAL               | CPA | MSEAL    | RSEAL     | -  | 71 | -  | 69 | 68 | 67 | 66 | 65 | 64 | -  | -  | 61 | 60 | 59 | 58 | 57 | -      | -        | -                                   | -  |
|  |                      |                   |             |        |             |            |                   |     |          |           | -  | -  | 50 | -  | -  | 47 | 46 | 45 | 44 | -  | 42 | 41 | 40 | 39 | 38 | 37 | -      | -        | -                                   | -  |
|  |                      |                   |             |        |             |            |                   |     |          |           | -  | -  | -  | -  | 32 | -  | -  | -  | -  | -  | 26 | 25 | -  | -  | -  | -  | -      | -        | -                                   | -  |
| MX123 CONN ASSY 73 CKT BLU OPT0 KEY C/36 | 345668423            | C-HSG-C0          | G-CAP-0-P   | TPA-C0 | RS          | LS         | MAL               | CPA | MSEAL    | RSEAL     | 72   | 71 | 70 | -  | 68 | -  | 66 | 65 | -  | 63 | -  | -  | -  | 59 | 58 | -  | 56     | 55       | -                                   | 53 |
|  |                      |                   |             |        |             |            |                   |     |          |           | -  | -  | -  | -  | -  | 47 | -  | -  | -  | 43 | -  | -  | 40 | 39 | 38 | -  | 36     | 35       | -                                   | -  |
|  |                      |                   |             |        |             |            |                   |     |          |           | -  | -  | -  | -  | 32 | 31 | 30 | 29 | -  | -  | -  | -  | 24 | 23 | 22 | 21 | 20     | 19       | 18                                  | 17 |
| MX123 CONN ASSY 73 CKT BLU OPT0 KEY C/45 | 345668443            | C-HSG-C0          | G-CAP-0-P   | TPA-C0 | RS          | LS         | MAL               | CPA | MSEAL    | RSEAL     | 72   | -  | -  | 69 | 68 | -  | -  | -  | -  | 63 | 62 | -  | -  | -  | -  | 56 | 55     | -        | 53                                  |    |
|  |                      |                   |             |        |             |            |                   |     |          |           | -  | -  | -  | 49 | -  | -  | 46 | -  | -  | 43 | 42 | -  | 40 | -  | -  | -  | 36     | 35       | -                                   | -  |
|  |                      |                   |             |        |             |            |                   |     |          |           | -  | -  | -  | -  | 32 | -  | 31 | 30 | 29 | -  | -  | 26 | -  | 24 | -  | 22 | 21     | 20       | 19                                  | -  |
| MX123 CONN ASSY 73 CKT BLK OPT0 KEY A/48 | 345668453            | C-HSG-A0          | G-CAP-0-P   | TPA-A0 | RS          | LS         | MAL               | CPA | MSEAL    | RSEAL     | -  | -  | -  | -  | -  | 67 | -  | -  | -  | -  | 62 | 61 | -  | 59 | 58 | -  | -      | 55       | -                                   | 53 |
|  |                      |                   |             |        |             |            |                   |     |          |           | -  | -  | -  | -  | -  | 47 | -  | -  | -  | -  | 41 | -  | -  | -  | -  | -  | 35     | -        | 33                                  |    |
|  |                      |                   |             |        |             |            |                   |     |          |           | -  | -  | -  | -  | 32 | -  | -  | -  | -  | 27 | 26 | 25 | 24 | -  | -  | -  | -      | 19       | 18                                  | 17 |
| MX123 CONN ASSY 73 CKT GRY OPT0 KEY B/34 | 345668463            | C-HSG-B0          | G-CAP-0-P   | TPA-B0 | RS          | LS         | MAL               | CPA | MSEAL    | RSEAL     | -  | 71 | -  | 69 | -  | 67 | 66 | 65 | 64 | 63 | -  | -  | -  | 58 | 57 | 56 | -      | 54       | 53                                  |    |
|  |                      |                   |             |        |             |            |                   |     |          |           | -  | 51 | 50 | 49 | -  | -  | -  | 45 | -  | -  | 42 | -  | -  | 39 | -  | -  | -      | -        | 34                                  | 33 |
|  |                      |                   |             |        |             |            |                   |     |          |           | -  | -  | -  | -  | 32 | 31 | -  | 29 | 28 | 27 | 26 | 25 | 24 | 23 | -  | -  | -      | -        | -                                   | -  |
| MX123 CONN ASSY 73 CKT BLU OPT0 KEY C/49 | 345668473            | C-HSG-C0          | G-CAP-0-P   | TPA-C0 | RS          | LS         | MAL               | CPA | MSEAL    | RSEAL     | 72   | -  | -  | 69 | 68 | -  | -  | -  | -  | 63 | -  | -  | -  | 59 | -  | -  | 56     | -        | -                                   | 53 |
|  |                      |                   |             |        |             |            |                   |     |          |           | -  | -  | -  | -  | -  | 46 | -  | -  | 43 | -  | -  | 40 | 39 | -  | -  | 36 | -      | -        | -                                   |    |
|  |                      |                   |             |        |             |            |                   |     |          |           | -  | -  | -  | -  | 32 | -  | 31 | 30 | 29 | -  | -  | -  | -  | 24 | 23 | 22 | 21     | 20       | -                                   | -  |
| MX123 CONN ASSY 73 CKT BLK OPT0 KEY A/51 | 345668483            | C-HSG-A0          | G-CAP-0-P   | TPA-A0 | RS          | LS         | MAL               | CPA | MSEAL    | RSEAL     | -  | -  | -  | -  | -  | 67 | -  | -  | -  | -  | 62 | -  | -  | 59 | 58 | -  | -      | 55       | -                                   | -  |
|  |                      |                   |             |        |             |            |                   |     |          |           | -  | -  | -  | -  | -  | 47 | -  | -  | -  | -  | 41 | -  | -  | -  | -  | -  | 35     | -        | -                                   |    |
|  |                      |                   |             |        |             |            |                   |     |          |           | -  | -  | -  | -  | 32 | -  | -  | -  | -  | 27 | 26 | 25 | 24 | -  | -  | -  | -      | 19       | 18                                  | 17 |
| MX123 CONN ASSY 73 CKT GRY OPT0 KEY B/31 | 345668493            | C-HSG-B0          | G-CAP-0-P   | TPA-B0 | RS          | LS         | MAL               | CPA | MSEAL    | RSEAL     | -  | 71 | -  | 69 | -  | -  | 66 | 65 | 64 | 63 | -  | -  | -  | 58 | 57 | 56 | -      | 54       | 53                                  |    |
|  |                      |                   |             |        |             |            |                   |     |          |           | -  | 51 | 50 | 49 | -  | -  | -  | 45 | -  | -  | 42 | 41 | -  | 39 | 38 | 37 | 36     | 35       | 34                                  | -  |
|  |                      |                   |             |        |             |            |                   |     |          |           | -  | -  | -  | -  | 32 | 31 | -  | 29 | 28 | 27 | 26 | 25 | 24 | 23 | -  | -  | -      | -        | -                                   | -  |
| MX123 CONN ASSY 73 CKT GRY OPT0 KEY B/27 | 345668503            | C-HSG-B0          | G-CAP-0-P   | TPA-B0 | RS          | LS         | MAL               | CPA | MSEAL    | RSEAL     | -  | -  | -  | -  | -  | -  | -  | -  | -  | -  | -  | 61 | -  | -  | 58 | 57 | 56     | -        | -                                   | -  |
|  |                      |                   |             |        |             |            |                   |     |          |           | -  | 51 | 50 | -  | -  | 47 | 46 | 45 | -  | -  | -  | 41 | 40 | -  | 38 | 37 | 36     | -        | -                                   | -  |
|  |                      |                   |             |        |             |            |                   |     |          |           | -  | -  | -  | -  | 32 | -  | 31 | 30 | -  | 28 | -  | 26 | 25 | -  | 22 | 21 | 20     | -        | -                                   | -  |
| MX123 CONN ASSY 73 CKT BLK OPT9 KEY A/48 | 345668513            | C-HSG-A9          | G-CAP-9-P   | TPA-A9 | RS          | LS         | MAL               | CPA | MSEAL    | RSEAL     | -  | -  | -  | -  | -  | 67 | -  | -  | -  | -  | 62 | -  | -  | 59 | 58 | -  | -      | 55       | -                                   | -  |
|  |                      |                   |             |        |             |            |                   |     |          |           | -  | -  | -  | -  | -  | 47 | -  | -  | -  | -  | 42 | 41 | -  | -  | -  | -  | 35     | -        | -                                   |    |
|  |                      |                   |             |        |             |            |                   |     |          |           | -  | -  | -  | -  | 32 | -  | -  | -  | -  | 27 | 26 | 25 | -  | -  | -  | 21 | 20     | 19       | 18                                  | 17 |

| ASSEMBLY DESCRIPTION                     | ASSEMBLY PART NUMBER | CONNECTOR HOUSING | GROMMET CAP | TPA    | RIGHT SLIDE | LEFT SLIDE | MATE ASSIST LEVER | CPA | MAT SEAL | RING SEAL | BLOCKED TERMINALS  |    |    |    |    |    |    |    |    |    |    |    |    |    |    |    |    |    | STATUS | COMMENTS | INTEGRAL COMPONENTS SOLD SEPARATELY |           |           |
|--|----------------------|-------------------|-------------|--------|-------------|------------|-------------------|-----|----------|-----------|--|----|----|----|----|----|----|----|----|----|----|----|----|----|----|----|----|----|--------|----------|-------------------------------------|-----------|-----------|
|  |                      |                   |             |        |             |            |                   |     |          |           | CAVITY WITH A NUMBER INDICATES BLOCKED TERMINAL POSITION |    |    |    |    |    |    |    |    |    |    |    |    |    |    |    |    |    |        |          | DRESS COVER                         |           |           |
|  |                      |                   |             |        |             |            |                   |     |          |           | CAVITY WITHOUT A NUMBER INDICATES OPEN TERMINAL POSITION |    |    |    |    |    |    |    |    |    |    |    |    |    |    |    |    |    |        |          |                                     |           |           |
| MX123 CONN ASSY 73 CKT GRY OPT9 KEY B/27 | 345668523            | C-HSG-B9          | G-CAP-9-P   | TPA-B9 | RS          | LS         | MAL               | CPA | MSEAL    | RSEAL     | -  | 71 | -  | 69 | -  | 67 | 66 | 65 | 64 | 63 | -  | -  | 60 | 59 | 58 | 57 | 56 | -  | 54     | 53       | SALEABLE                            |           | 345650003 |
|  |                      |                   |             |        |             |            |                   |     |          |           | -  | 51 | 50 | 49 | -  | -  | -  | 45 | 44 | -  | 42 | 41 | -  | 39 | 38 | 37 | 36 | 35 | 34     | 33       |                                     |           |           |
|  |                      |                   |             |        |             |            |                   |     |          |           |  |    |    | 32 | 31 | -  | 29 | 28 | 27 | 26 | 25 | 24 | 23 | -  | -  | -  | -  | -  | -      | -        |                                     |           |           |
| MX123 CONN ASSY 73 CKT BLU OPT9 KEY C/35 | 345668533            | C-HSG-C9          | G-CAP-9-P   | TPA-C9 | RS          | LS         | MAL               | CPA | MSEAL    | RSEAL     | 72   | 71 | -  | 69 | 68 | -  | -  | -  | -  | 63 | 62 | -  | -  | 59 | 58 | -  | 56 | 55 | -      | 53       | SALEABLE                            |           | 345650003 |
|  |                      |                   |             |        |             |            |                   |     |          |           | -  | -  | -  | -  | -  | -  | 46 | -  | -  | 43 | 42 | -  | 40 | 39 | 38 | -  | 36 | 35 | -      | -        |                                     |           |           |
|  |                      |                   |             |        |             |            |                   |     |          |           |  |    |    | -  | 31 | 30 | 29 | -  | -  | 26 | -  | 24 | 23 | 22 | 21 | 20 | 19 | -  | -      | -        |                                     |           |           |
| MX123 CONN ASSY 73 CKT BLU OPT9 KEY C/35 | 345668543            | C-HSG-C9          | G-CAP-9-P   | TPA-C9 | RS          | LS         | MAL               | CPA | MSEAL    | RSEAL     | 72   | -  | 70 | -  | 68 | -  | -  | -  | -  | 63 | 62 | 61 | -  | 59 | 58 | -  | 56 | 55 | -      | 53       | SALEABLE                            |           | 345650003 |
|  |                      |                   |             |        |             |            |                   |     |          |           | -  | -  | -  | -  | -  | -  | -  | -  | -  | 43 | 42 | 41 | 40 | 39 | 38 | -  | 36 | 35 | -      | -        |                                     |           |           |
|  |                      |                   |             |        |             |            |                   |     |          |           |  |    |    | -  | 31 | 30 | 29 | -  | -  | 26 | 25 | 24 | 23 | 22 | 21 | 20 | 19 | 18 | 17     | -        |                                     |           |           |
| MX123 CONN ASSY 73 CKT GRY OPT0 KEY B/22 | 345668553            | C-HSG-B0          | G-CAP-0-P   | TPA-B0 | RS          | LS         | MAL               | CPA | MSEAL    | RSEAL     | -  | 71 | 70 | 69 | -  | 67 | 66 | 65 | 64 | 63 | -  | -  | -  | -  | 58 | 57 | 56 | -  | 54     | 53       | SALEABLE                            |           | 345650003 |
|  |                      |                   |             |        |             |            |                   |     |          |           | -  | 51 | 50 | 49 | 48 | 47 | -  | 45 | 44 | -  | 42 | -  | -  | 39 | 38 | 37 | 36 | 35 | 34     | 33       |                                     |           |           |
|  |                      |                   |             |        |             |            |                   |     |          |           |  |    |    | 32 | 31 | 30 | 29 | 28 | 27 | 26 | 25 | 24 | 23 | -  | -  | -  | 19 | 18 | 17     | -        |                                     |           |           |
| MX123 CONN ASSY 73 CKT BLK OPT0 KEY A/35 | 345668563            | C-HSG-A0          | G-CAP-0-P   | TPA-A0 | RS          | LS         | MAL               | CPA | MSEAL    | RSEAL     | -  | 71 | -  | 69 | 68 | -  | 66 | 65 | 64 | -  | 62 | 61 | -  | -  | -  | -  | -  | 54 | 53     | SALEABLE |                                     | 345650003 |           |
|  |                      |                   |             |        |             |            |                   |     |          |           | -  | -  | 50 | 49 | -  | -  | -  | 45 | 44 | -  | -  | 41 | -  | -  | -  | -  | -  | -  | 34     |          |                                     |           | 33        |
|  |                      |                   |             |        |             |            |                   |     |          |           |  |    |    | 32 | 31 | 30 | 29 | -  | 27 | 26 | 25 | 24 | 23 | -  | -  | 20 | 19 | -  | -      |          |                                     |           | -         |
| MX123 CONN ASSY 73 CKT GRY OPT0 KEY B/59 | 345668573            | C-HSG-B0          | G-CAP-0-P   | TPA-B0 | RS          | LS         | MAL               | CPA | MSEAL    | RSEAL     | -  | -  | -  | -  | -  | -  | -  | -  | -  | -  | 62 | -  | -  | -  | 58 | -  | -  | -  | 54     | 53       | SALEABLE                            |           | 345650003 |
|  |                      |                   |             |        |             |            |                   |     |          |           | -  | -  | -  | -  | -  | -  | -  | -  | -  | -  | 42 | -  | -  | -  | -  | -  | -  | -  | 34     | -        |                                     |           |           |
|  |                      |                   |             |        |             |            |                   |     |          |           |  |    |    | -  | -  | -  | -  | -  | 27 | -  | 25 | -  | -  | -  | -  | -  | -  | 18 | 17     | -        |                                     |           |           |
| MX123 CONN ASSY 73 CKT BLU OPT0 KEY C/44 | 345668583            | C-HSG-C0          | G-CAP-0-P   | TPA-C0 | RS          | LS         | MAL               | CPA | MSEAL    | RSEAL     | -  | -  | -  | -  | 68 | -  | -  | -  | -  | 63 | 62 | 61 | -  | 59 | 58 | 57 | -  | 55 | -      | 53       | SALEABLE                            |           | 345650003 |
|  |                      |                   |             |        |             |            |                   |     |          |           | -  | -  | -  | -  | 48 | -  | -  | -  | -  | 43 | 42 | 41 | -  | -  | -  | 37 | 36 | 35 | -      | 33       |                                     |           |           |
|  |                      |                   |             |        |             |            |                   |     |          |           |  |    |    | 32 | -  | -  | 29 | -  | 27 | -  | -  | -  | -  | -  | -  | 20 | 19 | 18 | -      | -        |                                     |           |           |
| MX123 CONN ASSY 73 CKT GRY OPT0 KEY B/32 | 345668593            | C-HSG-B0          | G-CAP-0-P   | TPA-B0 | RS          | LS         | MAL               | CPA | MSEAL    | RSEAL     | -  | 71 | 70 | 69 | -  | 67 | 66 | 65 | 64 | 63 | -  | -  | -  | -  | 58 | 57 | 56 | -  | 54     | 53       | SALEABLE                            |           | 345650003 |
|  |                      |                   |             |        |             |            |                   |     |          |           | -  | 51 | 50 | 49 | -  | -  | -  | 45 | 44 | -  | 42 | -  | -  | 39 | -  | -  | -  | -  | 34     | 33       |                                     |           |           |
|  |                      |                   |             |        |             |            |                   |     |          |           |  |    |    | 32 | 31 | -  | 29 | 28 | 27 | 26 | 25 | 24 | 23 | -  | -  | -  | -  | -  | 17     | -        |                                     |           |           |
| MX123 CONN ASSY 73 CKT BLK OPT0 KEY A/47 | 345668603            | C-HSG-A0          | G-CAP-0-P   | TPA-A0 | RS          | LS         | MAL               | CPA | MSEAL    | RSEAL     | 72   | 71 | 70 | -  | -  | 67 | -  | 65 | 64 | 63 | 62 | 61 | 60 | -  | 58 | -  | 56 | -  | 54     | -        | SALEABLE                            |           | 345650003 |
|  |                      |                   |             |        |             |            |                   |     |          |           | 52   | 51 | 50 | -  | -  | 47 | -  | 45 | -  | 43 | 42 | 41 | 40 | -  | -  | -  | 36 | -  | 34     | -        |                                     |           |           |
|  |                      |                   |             |        |             |            |                   |     |          |           |  |    |    | 32 | 31 | 30 | -  | -  | 27 | 26 | 25 | 24 | -  | 22 | -  | 20 | 19 | -  | -      | -        |                                     |           |           |
| MX123 CONN ASSY 73 CKT BLU OPT0 KEY C/43 | 345668613            | C-HSG-C0          | G-CAP-0-P   | TPA-C0 | RS          | LS         | MAL               | CPA | MSEAL    | RSEAL     | 72   | -  | -  | 69 | 68 | -  | -  | -  | -  | 63 | 62 | -  | -  | -  | -  | 56 | 55 | -  | 53     | SALEABLE |                                     | 345650003 |           |
|  |                      |                   |             |        |             |            |                   |     |          |           | -  | -  | -  | 49 | -  | -  | 46 | -  | -  | 43 | 42 | -  | 40 | -  | -  | -  | 36 | 35 | -      |          |                                     |           | -         |
|  |                      |                   |             |        |             |            |                   |     |          |           |  |    |    | -  | 31 | 30 | 29 | -  | -  | 26 | -  | 24 | -  | 22 | 21 | 20 | 19 | -  | -      |          |                                     |           | -         |
| MX123 CONN ASSY 73 CKT BLU OPT9 KEY C/31 | 345668623            | C-HSG-C9          | G-CAP-9-P   | TPA-C9 | RS          | LS         | MAL               | CPA | MSEAL    | RSEAL     | 72   | 71 | 70 | 69 | -  | 67 | 66 | -  | 64 | -  | -  | -  | 60 | -  | -  | -  | -  | 54 | -      | SALEABLE |                                     | 345650003 |           |
|  |                      |                   |             |        |             |            |                   |     |          |           | 52   | 51 | 50 | 49 | -  | 47 | 46 | -  | 44 | -  | -  | -  | 40 | 39 | 38 | -  | -  | -  | -      |          |                                     |           | -         |
|  |                      |                   |             |        |             |            |                   |     |          |           |  |    |    | -  | -  | 30 | 29 | 28 | 27 | 26 | 25 | 24 | 23 | 22 | 21 | -  | -  | -  | -      |          |                                     |           | -         |
| MX123 CONN ASSY 73 CKT GRY OPT0 KEY B/22 | 345668633            | C-HSG-B0          | G-CAP-0-P   | TPA-B0 | RS          | LS         | MAL               | CPA | MSEAL    | RSEAL     | -  | 71 | 70 | 69 | 68 | 67 | 66 | 65 | 64 | 63 | -  | -  | 60 | 59 | 58 | 57 | 56 | 55 | 54     | 53       | SALEABLE                            |           | 345650003 |
|  |                      |                   |             |        |             |            |                   |     |          |           | -  | 51 | 50 | 49 | -  | -  | -  | 45 | 44 | -  | 42 | 41 | -  | 39 | 38 | 37 | 36 | 35 | 34     | 33       |                                     |           |           |
|  |                      |                   |             |        |             |            |                   |     |          |           |  |    |    | 32 | 31 | -  | 29 | 28 | 27 | 26 | 25 | 24 | 23 | -  | -  | -  | -  | -  | -      | -        |                                     |           |           |



| ASSEMBLY DESCRIPTION                     | ASSEMBLY PART NUMBER | CONNECTOR HOUSING | GROMMET CAP | TPA    | RIGHT SLIDE | LEFT SLIDE | MATE ASSIST LEVER | CPA | MAT SEAL | RING SEAL | BLOCKED TERMINALS  |    |    |    |    |    |    |    |    |    |    |    |    |    |    |    |    |    |          |          | STATUS    | COMMENTS  | INTEGRAL COMPONENTS SOLD SEPARATELY |
|--|----------------------|-------------------|-------------|--------|-------------|------------|-------------------|-----|----------|-----------|--|----|----|----|----|----|----|----|----|----|----|----|----|----|----|----|----|----|----------|----------|-----------|-----------|-------------------------------------|
|  |                      |                   |             |        |             |            |                   |     |          |           | CAVITY WITH A NUMBER INDICATES BLOCKED TERMINAL POSITION |    |    |    |    |    |    |    |    |    |    |    |    |    |    |    |    |    |          |          |           |           | DRESS COVER                         |
|  |                      |                   |             |        |             |            |                   |     |          |           | CAVITY WITHOUT A NUMBER INDICATES OPEN TERMINAL POSITION |    |    |    |    |    |    |    |    |    |    |    |    |    |    |    |    |    |          |          |           |           |                                     |
| MX123 CONN ASSY 73 CKT BLU OPT0 KEY C/37 | 345668643            | C-HSG-C0          | G-CAP-0-P   | TPA-C0 | RS          | LS         | MAL               | CPA | MSEAL    | RSEAL     | 72   | -  | -  | 69 | 68 | -  | -  | 65 | -  | 63 | 62 | -  | -  | 59 | 58 | -  | 56 | 55 | -        | 53       | SALEABLE  |           | 345650003                           |
|  |                      |                   |             |        |             |            |                   |     |          |           | -  | -  | -  | -  | -  | 47 | 46 | -  | -  | 43 | 42 | -  | 40 | 39 | 38 | -  | 36 | 35 | -        | -        |           |           |                                     |
|  |                      |                   |             |        |             |            |                   |     |          |           | -  | -  | -  | -  | -  | 31 | 30 | 29 | -  | -  | 26 | -  | 24 | 23 | 22 | 21 | 20 | 19 | -        | -        |           |           |                                     |
| MX123 CONN ASSY 73 CKT BLU OPT9 KEY C/36 | 345668653            | C-HSG-C9          | G-CAP-9-P   | TPA-C9 | RS          | LS         | MAL               | CPA | MSEAL    | RSEAL     | 72   | -  | 70 | -  | 68 | -  | -  | -  | -  | 62 | -  | -  | 59 | 58 | -  | 56 | 55 | 54 | 53       | SALEABLE |           | 345650003 |                                     |
|  |                      |                   |             |        |             |            |                   |     |          |           | -  | -  | -  | 49 | -  | -  | -  | -  | 44 | -  | 42 | -  | 40 | 39 | 38 | -  | 36 | 35 | -        |          |           |           | -                                   |
|  |                      |                   |             |        |             |            |                   |     |          |           | -  | -  | -  | -  | 32 | 31 | 30 | 29 | -  | -  | 26 | -  | 24 | 23 | 22 | 21 | 20 | 19 | 18       |          |           |           | 17                                  |
| MX123 CONN ASSY 73 CKT GRY OPT0 KEY B/46 | 345668663            | C-HSG-B0          | G-CAP-0-P   | TPA-B0 | RS          | LS         | MAL               | CPA | MSEAL    | RSEAL     | -  | -  | -  | -  | 68 | 67 | 66 | 65 | -  | -  | 62 | -  | -  | 59 | -  | -  | -  | 54 | 53       | SALEABLE |           | 345650003 |                                     |
|  |                      |                   |             |        |             |            |                   |     |          |           | -  | -  | -  | -  | 48 | 47 | 46 | 45 | 44 | -  | 42 | 41 | 40 | 39 | -  | -  | -  | 35 | 34       |          |           |           | -                                   |
|  |                      |                   |             |        |             |            |                   |     |          |           | -  | -  | -  | -  | 31 | -  | -  | -  | 27 | -  | -  | -  | -  | -  | -  | -  | -  | 19 | 18       |          |           |           | 17                                  |
| MX123 CONN ASSY 73 CKT NAT OPT0 KEY F/45 | 345668673            | C-HSG-F0          | G-CAP-0-P   | TPA-F0 | RS          | LS         | MAL               | CPA | MSEAL    | RSEAL     | -  | 71 | -  | 69 | -  | -  | -  | 65 | 64 | -  | -  | 61 | 60 | -  | 58 | -  | 56 | 55 | 54       | -        | SALEABLE  |           | 345650003                           |
|  |                      |                   |             |        |             |            |                   |     |          |           | -  | -  | 50 | -  | -  | -  | -  | 45 | -  | 43 | 42 | -  | -  | -  | 38 | -  | -  | -  | -        | -        |           |           |                                     |
|  |                      |                   |             |        |             |            |                   |     |          |           | -  | -  | -  | -  | 31 | -  | 29 | 28 | -  | -  | -  | -  | -  | 23 | -  | -  | -  | 19 | 18       | 17       |           |           |                                     |
| MX123 CONN ASSY 73 CKT GRY OPT0 KEY B/45 | 345668683            | C-HSG-B0          | G-CAP-0-P   | TPA-B0 | RS          | LS         | MAL               | CPA | MSEAL    | RSEAL     | -  | 71 | -  | 69 | -  | -  | -  | 65 | 64 | -  | -  | 61 | 60 | -  | 58 | -  | 56 | 55 | 54       | -        | SALEABLE  |           | 345650003                           |
|  |                      |                   |             |        |             |            |                   |     |          |           | -  | -  | 50 | -  | -  | -  | -  | 45 | -  | 43 | 42 | -  | -  | -  | 38 | -  | -  | -  | -        | -        |           |           |                                     |
|  |                      |                   |             |        |             |            |                   |     |          |           | -  | -  | -  | -  | 31 | -  | 29 | 28 | -  | -  | -  | -  | -  | 23 | -  | -  | -  | 19 | 18       | 17       |           |           |                                     |
| MX123 CONN ASSY 73 CKT BLK OPT0 KEY A/45 | 345668693            | C-HSG-A0          | G-CAP-0-P   | TPA-A0 | RS          | LS         | MAL               | CPA | MSEAL    | RSEAL     | -  | 71 | -  | 69 | -  | -  | -  | 65 | 64 | -  | -  | 61 | 60 | -  | 58 | -  | 56 | 55 | 54       | -        | SALEABLE  |           | 345650003                           |
|  |                      |                   |             |        |             |            |                   |     |          |           | -  | -  | 50 | -  | -  | -  | -  | 45 | -  | 43 | 42 | -  | -  | -  | 38 | -  | -  | -  | -        | -        |           |           |                                     |
|  |                      |                   |             |        |             |            |                   |     |          |           | -  | -  | -  | -  | 31 | -  | 29 | 28 | -  | -  | -  | -  | -  | 23 | -  | -  | -  | 19 | 18       | 17       |           |           |                                     |
| MX123 CONN ASSY 73 CKT GRY OPT0 KEY B/42 | 345668703            | C-HSG-B0          | G-CAP-0-P   | TPA-B0 | RS          | LS         | MAL               | CPA | MSEAL    | RSEAL     | 72   | 71 | 70 | -  | -  | 67 | -  | 65 | -  | 63 | 62 | 61 | 60 | -  | 58 | -  | 56 | -  | 54       | -        | SALEABLE  |           | 345650003                           |
|  |                      |                   |             |        |             |            |                   |     |          |           | 52   | 51 | -  | -  | -  | -  | 46 | 45 | -  | 43 | 42 | 41 | 40 | -  | 38 | -  | 36 | -  | 34       | -        |           |           |                                     |
|  |                      |                   |             |        |             |            |                   |     |          |           | -  | -  | -  | -  | 32 | 31 | 30 | -  | -  | 27 | 26 | 25 | 24 | -  | 22 | -  | 20 | 19 | 18       | -        |           |           |                                     |
| MX123 CONN ASSY 73 CKT GRY OPT9 KEY B/46 | 345668713            | C-HSG-B9          | G-CAP-9-P   | TPA-B9 | RS          | LS         | MAL               | CPA | MSEAL    | RSEAL     | -  | -  | -  | -  | 68 | 67 | 66 | 65 | -  | -  | 62 | -  | -  | 59 | -  | -  | -  | 54 | 53       | SALEABLE |           | 345650003 |                                     |
|  |                      |                   |             |        |             |            |                   |     |          |           | -  | -  | -  | -  | 48 | 47 | 46 | 45 | 44 | -  | 42 | 41 | 40 | 39 | -  | -  | -  | 35 | 34       |          |           |           | -                                   |
|  |                      |                   |             |        |             |            |                   |     |          |           | -  | -  | -  | -  | 31 | -  | -  | -  | 27 | -  | -  | -  | -  | -  | -  | -  | -  | 19 | 18       |          |           |           | 17                                  |
| MX123 CONN ASSY 73 CKT BLU OPT0 KEY C/36 | 345668723            | C-HSG-C0          | G-CAP-0-P   | TPA-C0 | RS          | LS         | MAL               | CPA | MSEAL    | RSEAL     | 72   | -  | -  | 69 | 68 | 67 | -  | 65 | -  | 63 | 62 | -  | -  | 59 | 58 | -  | 56 | 55 | -        | 53       | SALEABLE  |           | 345650003                           |
|  |                      |                   |             |        |             |            |                   |     |          |           | -  | -  | -  | -  | -  | 47 | 46 | -  | -  | 43 | 42 | -  | 40 | 39 | 38 | -  | 36 | 35 | -        | -        |           |           |                                     |
|  |                      |                   |             |        |             |            |                   |     |          |           | -  | -  | -  | -  | -  | 31 | 30 | 29 | -  | -  | 26 | -  | 24 | 23 | 22 | 21 | 20 | 19 | -        | -        |           |           |                                     |
| MX123 CONN ASSY 73 CKT BLK OPT0 KEY A/49 | 345668733            | C-HSG-A0          | G-CAP-0-P   | TPA-A0 | RS          | LS         | MAL               | CPA | MSEAL    | RSEAL     | -  | -  | -  | -  | -  | 67 | -  | -  | -  | -  | 62 | 61 | -  | 59 | 58 | -  | -  | 55 | -        | 53       | SALEABLE  |           | 345650003                           |
|  |                      |                   |             |        |             |            |                   |     |          |           | -  | -  | -  | -  | -  | 47 | -  | -  | -  | -  | -  | 41 | -  | -  | -  | -  | -  | 35 | -        | 33       |           |           |                                     |
|  |                      |                   |             |        |             |            |                   |     |          |           | -  | -  | -  | -  | -  | -  | -  | -  | 27 | 26 | 25 | 24 | -  | -  | -  | -  | -  | 19 | 18       | 17       |           |           |                                     |
| MX123 CONN ASSY 73 CKT BLU OPT0 KEY C/41 | 345668743            | C-HSG-C0          | G-CAP-0-P   | TPA-C0 | RS          | LS         | MAL               | CPA | MSEAL    | RSEAL     | -  | -  | -  | -  | 68 | -  | -  | 65 | -  | 63 | 62 | 61 | 60 | 59 | 58 | 57 | 56 | 55 | -        | 53       | SALEABLE  |           | 345650003                           |
|  |                      |                   |             |        |             |            |                   |     |          |           | -  | -  | -  | -  | 48 | -  | -  | 45 | -  | 43 | 42 | 41 | 40 | -  | -  | 37 | 36 | 35 | 34       | 33       |           |           |                                     |
|  |                      |                   |             |        |             |            |                   |     |          |           | -  | -  | -  | -  | 32 | 31 | -  | -  | -  | -  | -  | -  | -  | -  | -  | -  | 20 | 19 | 18       | -        |           |           |                                     |
| MX123 CONN ASSY 73 CKT GRY OPT0 KEY B/56 | 345668753            | C-HSG-B0          | G-CAP-0-P   | TPA-B0 | RS          | LS         | MAL               | CPA | MSEAL    | RSEAL     | -  | -  | -  | -  | -  | -  | -  | -  | -  | 62 | -  | -  | 59 | -  | -  | -  | -  | -  | SALEABLE |          | 345650003 |           |                                     |
|  |                      |                   |             |        |             |            |                   |     |          |           | -  | -  | -  | -  | -  | -  | -  | -  | -  | 42 | 41 | -  | 39 | 38 | -  | -  | -  | -  |          |          |           | -         | -                                   |
|  |                      |                   |             |        |             |            |                   |     |          |           | -  | -  | -  | -  | -  | 31 | -  | -  | -  | 27 | -  | -  | -  | 23 | 22 | -  | 20 | -  |          |          |           | 18        | 17                                  |





| ASSEMBLY DESCRIPTION                     | ASSEMBLY PART NUMBER | CONNECTOR HOUSING | GROMMET CAP | TPA    | RIGHT SLIDE | LEFT SLIDE | MATE ASSIST LEVER | CPA | MAT SEAL | RING SEAL | BLOCKED TERMINALS  |    |    |    |    |    |    |    |    |    |    |    |    |    |    |    |    |    |    | STATUS | COMMENTS | INTEGRAL COMPONENTS SOLD SEPARATELY |    |    |    |    |   |
|--|----------------------|-------------------|-------------|--------|-------------|------------|-------------------|-----|----------|-----------|--|----|----|----|----|----|----|----|----|----|----|----|----|----|----|----|----|----|----|--------|----------|-------------------------------------|----|----|----|----|---|
|  |                      |                   |             |        |             |            |                   |     |          |           | CAVITY WITH A NUMBER INDICATES BLOCKED TERMINAL POSITION |    |    |    |    |    |    |    |    |    |    |    |    |    |    |    |    |    |    |        |          | DRESS COVER                         |    |    |    |    |   |
|  |                      |                   |             |        |             |            |                   |     |          |           | CAVITY WITHOUT A NUMBER INDICATES OPEN TERMINAL POSITION |    |    |    |    |    |    |    |    |    |    |    |    |    |    |    |    |    |    |        |          |                                     |    |    |    |    |   |
| MX123 CONN ASSY 73 CKT BLK OPT0 KEY A/29 | 345669013            | C-HSG-A0          | G-CAP-0-P   | TPA-A0 | RS          | LS         | MAL               | CPA | MSEAL    | RSEAL     | 72   | 71 | 70 | -  | -  | 67 | 66 | -  | -  | -  | -  | -  | -  | 59 | 58 | 57 | 56 | 55 | 54 | 53     |          |                                     |    |    |    |    |   |
|  |                      |                   |             |        |             |            |                   |     |          |           | 52   | 51 | 50 | -  | -  | 47 | 46 | -  | -  | -  | -  | -  | -  | 39 | -  | 37 | 36 | 35 | -  | 33     |          |                                     |    |    |    |    |   |
|  |                      |                   |             |        |             |            |                   |     |          |           |  |    |    |    |    |    |    |    |    |    |    | 32 | 31 | 30 | 29 | 28 | 27 | 26 | -  | -      | -        | 21                                  | -  | -  | 18 | 17 |   |
|  |                      |                   |             |        |             |            |                   |     |          |           |  |    |    |    |    |    |    |    |    |    |    | 16 | 15 | 14 | 13 | 12 | 11 | 10 | -  | 8      | 7        | -                                   | -  | 3  | 2  | 1  |   |
| MX123 CONN ASSY 73 CKT GRY OPT0 KEY B/18 | 345669023            | C-HSG-B0          | G-CAP-0-P   | TPA-B0 | RS          | LS         | MAL               | CPA | MSEAL    | RSEAL     | 72   | 71 | 70 | 69 | 68 | 67 | 66 | 65 | 64 | 63 | -  | 61 | 60 | -  | 58 | 57 | 56 | 55 | 54 | 53     |          |                                     |    |    |    |    |   |
|  |                      |                   |             |        |             |            |                   |     |          |           | 52   | 51 | 50 | 49 | 48 | 47 | 46 | 45 | 44 | 43 | -  | 40 | -  | 37 | 36 | 35 | 34 | 33 |    |        |          |                                     |    |    |    |    |   |
|  |                      |                   |             |        |             |            |                   |     |          |           |  |    |    |    |    |    |    |    |    |    |    | 32 | -  | 30 | 29 | 28 | -  | 26 | 25 | 24     | -        | 21                                  | -  | 19 | -  | -  |   |
|  |                      |                   |             |        |             |            |                   |     |          |           |  |    |    |    |    |    |    |    |    |    |    | 16 | -  | 14 | 13 | 12 | 11 | 10 | 9  | 8      | -        | 6                                   | 5  | -  | -  | 2  | 1 |
| MX123 CONN ASSY 73 CKT BLU OPT0 KEY C/43 | 345669033            | C-HSG-C0          | G-CAP-0-P   | TPA-C0 | RS          | LS         | MAL               | CPA | MSEAL    | RSEAL     | -  | 71 | -  | 69 | 68 | -  | 66 | 65 | 64 | -  | 62 | 61 | -  | -  | -  | -  | -  | 54 | 53 |        |          |                                     |    |    |    |    |   |
|  |                      |                   |             |        |             |            |                   |     |          |           | -  | -  | -  | -  | 48 | -  | -  | -  | -  | 43 | 42 | 41 | 40 | -  | -  | 37 | 36 | 35 | -  | 33     |          |                                     |    |    |    |    |   |
|  |                      |                   |             |        |             |            |                   |     |          |           |  |    |    |    |    |    |    |    |    |    |    | 32 | -  | -  | -  | -  | 27 | -  | -  | -      | -        | -                                   | 20 | 19 | 18 | -  |   |
|  |                      |                   |             |        |             |            |                   |     |          |           |  |    |    |    |    |    |    |    |    |    |    | -  | -  | -  | -  | -  | 11 | 10 | -  | -      | -        | -                                   | -  | 4  | 3  | 2  | 1 |
| MX123 CONN ASSY 73 CKT BLU OPT0 KEY C/40 | 345669043            | C-HSG-C0          | G-CAP-0-P   | TPA-C0 | RS          | LS         | MAL               | CPA | MSEAL    | RSEAL     | -  | -  | -  | -  | 68 | -  | -  | -  | -  | 63 | 62 | 61 | 60 | 59 | 58 | 57 | 56 | 55 | -  | 53     |          |                                     |    |    |    |    |   |
|  |                      |                   |             |        |             |            |                   |     |          |           | -  | -  | -  | -  | 48 | -  | -  | -  | -  | 43 | 42 | 41 | 40 | -  | -  | 37 | 36 | 35 | 34 | 33     |          |                                     |    |    |    |    |   |
|  |                      |                   |             |        |             |            |                   |     |          |           |  |    |    |    |    |    |    |    |    |    |    | 32 | 31 | -  | -  | -  | 27 | -  | -  | -      | -        | -                                   | 20 | 19 | 18 | -  |   |
|  |                      |                   |             |        |             |            |                   |     |          |           |  |    |    |    |    |    |    |    |    |    |    | -  | -  | -  | -  | -  | 11 | 10 | -  | -      | -        | -                                   | -  | 4  | 3  | 2  | 1 |
| MX123 CONN ASSY 73 CKT BLU OPT0 KEY C/49 | 345669053            | C-HSG-C0          | G-CAP-0-P   | TPA-C0 | RS          | LS         | MAL               | CPA | MSEAL    | RSEAL     | -  | -  | -  | -  | -  | 67 | -  | -  | -  | 63 | 62 | -  | -  | 59 | 58 | -  | -  | 55 | -  | -      |          |                                     |    |    |    |    |   |
|  |                      |                   |             |        |             |            |                   |     |          |           | -  | -  | -  | -  | -  | 47 | -  | -  | -  | -  | -  | 41 | -  | -  | -  | -  | 35 | -  | -  |        |          |                                     |    |    |    |    |   |
|  |                      |                   |             |        |             |            |                   |     |          |           |  |    |    |    |    |    |    |    |    |    |    | 32 | -  | -  | -  | -  | 27 | 26 | 25 | 24     | -        | -                                   | -  | 19 | 18 | 17 |   |
|  |                      |                   |             |        |             |            |                   |     |          |           |  |    |    |    |    |    |    |    |    |    |    | 16 | -  | -  | -  | -  | 11 | 10 | 9  | 8      | -        | -                                   | -  | 3  | -  | 1  |   |
| MX123 CONN ASSY 73 CKT GRY OPT0 KEY B/26 | 345669063            | C-HSG-B0          | G-CAP-0-P   | TPA-B0 | RS          | LS         | MAL               | CPA | MSEAL    | RSEAL     | -  | 71 | 70 | 69 | -  | 67 | 66 | 65 | 64 | 63 | -  | -  | -  | -  | 58 | 57 | 56 | -  | 54 | 53     |          |                                     |    |    |    |    |   |
|  |                      |                   |             |        |             |            |                   |     |          |           | -  | 51 | 50 | 49 | 48 | 47 | -  | 45 | -  | -  | 42 | -  | -  | 39 | 38 | 37 | 36 | 35 | 34 | 33     |          |                                     |    |    |    |    |   |
|  |                      |                   |             |        |             |            |                   |     |          |           |  |    |    |    |    |    |    |    |    |    |    | 32 | 31 | 30 | 29 | 28 | 27 | 26 | 25 | 24     | 23       | -                                   | -  | -  | -  | -  |   |
|  |                      |                   |             |        |             |            |                   |     |          |           |  |    |    |    |    |    |    |    |    |    |    | -  | -  | -  | 13 | 12 | 11 | 10 | 9  | -      | 7        | -                                   | 5  | -  | 3  | 2  | 1 |
| MX123 CONN ASSY 73 CKT GRY OPT0 KEY B/64 | 345669073            | C-HSG-B0          | G-CAP-0-P   | TPA-B0 | RS          | LS         | MAL               | CPA | MSEAL    | RSEAL     | -  | -  | -  | -  | -  | -  | -  | -  | -  | -  | 62 | -  | -  | -  | 58 | -  | -  | -  | 54 | 53     |          |                                     |    |    |    |    |   |
|  |                      |                   |             |        |             |            |                   |     |          |           | -  | -  | -  | -  | -  | -  | -  | -  | -  | -  | 42 | -  | -  | -  | -  | -  | -  | -  | -  | -      |          |                                     |    |    |    |    |   |
|  |                      |                   |             |        |             |            |                   |     |          |           |  |    |    |    |    |    |    |    |    |    |    | -  | -  | -  | -  | -  | 27 | -  | 25 | -      | -        | -                                   | -  | -  | -  | -  |   |
|  |                      |                   |             |        |             |            |                   |     |          |           |  |    |    |    |    |    |    |    |    |    |    | -  | -  | -  | -  | -  | 11 | 10 | -  | -      | -        | -                                   | -  | -  | -  | -  |   |
| MX123 CONN ASSY 73 CKT BLK OPT0 KEY A/36 | 345669083            | C-HSG-A0          | G-CAP-0-P   | TPA-A0 | RS          | LS         | MAL               | CPA | MSEAL    | RSEAL     | -  | 71 | -  | 69 | 68 | -  | 66 | 65 | 64 | -  | 62 | 61 | -  | -  | -  | -  | -  | 54 | 53 |        |          |                                     |    |    |    |    |   |
|  |                      |                   |             |        |             |            |                   |     |          |           | -  | -  | 50 | 49 | -  | -  | -  | 45 | 44 | -  | -  | 41 | -  | -  | -  | -  | -  | -  | 34 | 33     |          |                                     |    |    |    |    |   |
|  |                      |                   |             |        |             |            |                   |     |          |           |  |    |    |    |    |    |    |    |    |    |    | 32 | 31 | 30 | 29 | -  | -  | 26 | 25 | 24     | 23       | -                                   | -  | 20 | 19 | -  | - |
|  |                      |                   |             |        |             |            |                   |     |          |           |  |    |    |    |    |    |    |    |    |    |    | 16 | 15 | 14 | 13 | -  | -  | 10 | -  | 8      | -        | 6                                   | 5  | 4  | 3  | -  | - |
| MX123 CONN ASSY 73 CKT BLK OPT0 KEY A/35 | 345669093            | C-HSG-A0          | G-CAP-0-P   | TPA-A0 | RS          | LS         | MAL               | CPA | MSEAL    | RSEAL     | -  | 71 | -  | 69 | 68 | -  | 66 | 65 | 64 | -  | 62 | 61 | -  | -  | -  | -  | -  | 54 | 53 |        |          |                                     |    |    |    |    |   |
|  |                      |                   |             |        |             |            |                   |     |          |           | -  | -  | 50 | 49 | -  | -  | -  | 45 | 44 | -  | -  | 41 | -  | -  | -  | -  | -  | -  | 34 | 33     |          |                                     |    |    |    |    |   |
|  |                      |                   |             |        |             |            |                   |     |          |           |  |    |    |    |    |    |    |    |    |    |    | 32 | 31 | 30 | 29 | -  | -  | 26 | 25 | 24     | 23       | -                                   | -  | 20 | 19 | -  | - |
|  |                      |                   |             |        |             |            |                   |     |          |           |  |    |    |    |    |    |    |    |    |    |    | 16 | 15 | 14 | 13 | -  | -  | 10 | -  | 8      | 7        | 6                                   | 5  | 4  | 3  | -  | - |
| MX123 CONN ASSY 73 CKT BLK OPT0 KEY A/30 | 345669103            | C-HSG-A0          | G-CAP-0-P   | TPA-A0 | RS          | LS         | MAL               | CPA | MSEAL    | RSEAL     | 72   | 71 | 70 | 69 | -  | 67 | 66 | -  | 64 | -  | 62 | -  | 60 | -  | -  | 57 | -  | 55 | 54 | -      |          |                                     |    |    |    |    |   |
|  |                      |                   |             |        |             |            |                   |     |          |           | -  | -  | -  | 49 | 48 | -  | 46 | 45 | 44 | 43 | 42 | -  | 40 | 39 | -  | -  | -  | -  | -  | -      |          |                                     |    |    |    |    |   |
|  |                      |                   |             |        |             |            |                   |     |          |           |  |    |    |    |    |    |    |    |    |    |    | -  | -  | -  | -  | -  | -  | 26 | -  | -      | -        | -                                   | -  | -  | -  | -  |   |
|  |                      |                   |             |        |             |            |                   |     |          |           |  |    |    |    |    |    |    |    |    |    |    | -  | -  | -  | -  | -  | -  | -  | -  | 8      | 7        | 6                                   | 5  | 4  | 3  | 2  | - |
| MX123 CONN ASSY 73 CKT BLK OPT0 KEY A/50 | 345669113            | C-HSG-A0          | G-CAP-0-P   | TPA-A0 | RS          | LS         | MAL               | CPA | MSEAL    | RSEAL     | -  | -  | -  | -  | -  | 67 | -  | -  | -  | 63 | 62 | -  | -  | 59 | 58 | -  | -  | 55 | -  | -      |          |                                     |    |    |    |    |   |
|  |                      |                   |             |        |             |            |                   |     |          |           | -  | -  | -  | -  | -  | 47 | -  | -  | -  | -  | -  | 41 | -  | -  | -  | -  | -  | 35 | -  | -      |          |                                     |    |    |    |    |   |
|  |                      |                   |             |        |             |            |                   |     |          |           |  |    |    |    |    |    |    |    |    |    |    | 32 | -  | -  | -  | -  | 27 | 26 | 25 | 24     | -        | -                                   | -  | 19 | 18 | 17 |   |
|  |                      |                   |             |        |             |            |                   |     |          |           |  |    |    |    |    |    |    |    |    |    |    | 16 | -  | -  | -  | -  | 11 | -  | 9  | 8      | -        | -                                   | -  | 3  | -  | 1  |   |
| MX123 CONN ASSY 73 CKT NAT OPT9 KEY F/57 | 345669143            | C-HSG-F9          | G-CAP-9-P   | TPA-F9 | RS          | LS         | MAL               | CPA | MSEAL    | RSEAL     | -  | -  | -  | 69 | 68 | -  | -  | -  | -  | -  | -  | -  | -  | -  | 58 | 57 | -  | -  | -  |        |          |                                     |    |    |    |    |   |
|  |                      |                   |             |        |             |            |                   |     |          |           | -  | -  | -  | -  | -  | -  | -  | -  | -  | 43 | 42 | -  | -  | -  | -  | -  | -  | -  | 19 | 18     | 17       |                                     |    |    |    |    |   |
|  |                      |                   |             |        |             |            |                   |     |          |           |  |    |    |    |    |    |    |    |    |    |    | -  | -  | 30 | -  | -  | -  | -  | -  | -      | -        | -                                   | -  | -  | 3  | 2  | 1 |
|  |                      |                   |             |        |             |            |                   |     |          |           |  |    |    |    |    |    |    |    |    |    |    | -  | -  | -  | -  | -  | -  | -  | -  | -      | -        | -                                   | -  | -  | -  | -  | - |

| ASSEMBLY DESCRIPTION                     | ASSEMBLY PART NUMBER | CONNECTOR HOUSING | GROMMET CAP | TPA    | RIGHT SLIDE | LEFT SLIDE | MATE ASSIST LEVER | CPA | MAT SEAL | RING SEAL | BLOCKED TERMINALS  |    |    |    |    |    |    |    |    |    |    |    |    |    |    |    |    |    |          |          | STATUS    | COMMENTS  | INTEGRAL COMPONENTS SOLD SEPARATELY |
|--|----------------------|-------------------|-------------|--------|-------------|------------|-------------------|-----|----------|-----------|--|----|----|----|----|----|----|----|----|----|----|----|----|----|----|----|----|----|----------|----------|-----------|-----------|-------------------------------------|
|  |                      |                   |             |        |             |            |                   |     |          |           | CAVITY WITH A NUMBER INDICATES BLOCKED TERMINAL POSITION |    |    |    |    |    |    |    |    |    |    |    |    |    |    |    |    |    |          |          |           |           | DRESS COVER                         |
|  |                      |                   |             |        |             |            |                   |     |          |           | CAVITY WITHOUT A NUMBER INDICATES OPEN TERMINAL POSITION |    |    |    |    |    |    |    |    |    |    |    |    |    |    |    |    |    |          |          |           |           |                                     |
| MX123 CONN ASSY 73 CKT GRY OPT9 KEY B/14 | 345669153            | C-HSG-B9          | G-CAP-9-P   | TPA-B9 | RS          | LS         | MAL               | CPA | MSEAL    | RSEAL     | 72   | 71 | 70 | 69 | 68 | 67 | -  | 65 | 64 | 63 | -  | 61 | 60 | 59 | -  | 57 | 56 | 55 | 54       | 53       | SALEABLE  |           | 345650003                           |
|  |                      |                   |             |        |             |            |                   |     |          |           | 52   | 51 | 50 | 49 | 48 | 47 | 46 | 45 | 44 | 43 | 42 | -  | 40 | 39 | -  | -  | 36 | 35 | 34       | 33       |           |           |                                     |
|  |                      |                   |             |        |             |            |                   |     |          |           |  |    |    |    | 32 | 31 | 30 | 29 | 28 | 27 | 26 | 25 | 24 | 23 | 22 | 21 | -  | -  | -        | -        |           |           |                                     |
| MX123 CONN ASSY 73 CKT GRY OPT9 KEY B/30 | 345669163            | C-HSG-B9          | G-CAP-9-P   | TPA-B9 | RS          | LS         | MAL               | CPA | MSEAL    | RSEAL     | 72   | 71 | 70 | 69 | -  | -  | -  | -  | 64 | 63 | -  | 61 | -  | -  | 58 | 57 | 56 | 55 | -        | -        | SALEABLE  |           | 345650003                           |
|  |                      |                   |             |        |             |            |                   |     |          |           | 52   | 51 | 50 | 49 | -  | -  | -  | -  | -  | 43 | -  | -  | -  | 38 | 37 | 36 | -  | -  | 33       |          |           |           |                                     |
|  |                      |                   |             |        |             |            |                   |     |          |           |  |    |    |    | 32 | -  | 30 | 29 | 28 | -  | 26 | 25 | 24 | 23 | 22 | 21 | 20 | -  | -        | -        |           |           |                                     |
| MX123 CONN ASSY 73 CKT GRY OPT0 KEY B/12 | 345669173            | C-HSG-B0          | G-CAP-0-P   | TPA-B0 | RS          | LS         | MAL               | CPA | MSEAL    | RSEAL     | 72   | 71 | 70 | 69 | 68 | 67 | 66 | -  | 64 | 63 | -  | 61 | 60 | 59 | -  | 57 | 56 | 55 | 54       | 53       | SALEABLE  |           | 345650003                           |
|  |                      |                   |             |        |             |            |                   |     |          |           | 52   | 51 | 50 | 49 | 48 | 47 | 46 | 45 | 44 | 43 | 42 | -  | 40 | 39 | -  | -  | 36 | 35 | 34       | 33       |           |           |                                     |
|  |                      |                   |             |        |             |            |                   |     |          |           |  |    |    |    | 32 | 31 | 30 | 29 | 28 | 27 | 26 | 25 | 24 | 23 | 22 | 21 | 20 | -  | -        | -        |           |           |                                     |
| MX123 CONN ASSY 73 CKT GRY OPT9 KEY B/62 | 345669183            | C-HSG-B9          | G-CAP-9-P   | TPA-B9 | RS          | LS         | MAL               | CPA | MSEAL    | RSEAL     | -  | -  | -  | -  | -  | -  | 66 | -  | -  | -  | -  | -  | -  | 58 | -  | -  | -  | -  | SALEABLE |          | 345650003 |           |                                     |
|  |                      |                   |             |        |             |            |                   |     |          |           | -  | -  | -  | -  | -  | -  | -  | -  | -  | -  | -  | -  | 41 | -  | -  | 38 | 37 | -  |          |          |           | -         | -                                   |
|  |                      |                   |             |        |             |            |                   |     |          |           |  |    |    |    | -  | -  | -  | -  | -  | -  | -  | -  | -  | -  | -  | 20 | -  | 18 |          |          |           | 17        |                                     |
| MX123 CONN ASSY 73 CKT NAT OPT9 KEY F/18 | 345669193            | C-HSG-F9          | G-CAP-9-P   | TPA-F9 | RS          | LS         | MAL               | CPA | MSEAL    | RSEAL     | 72   | 71 | 70 | -  | -  | 67 | 66 | 65 | 64 | 63 | 62 | 61 | 60 | 59 | -  | -  | 56 | 55 | 54       | 53       | SALEABLE  |           | 345650003                           |
|  |                      |                   |             |        |             |            |                   |     |          |           | 52   | 51 | 50 | 49 | 48 | 47 | 46 | 45 | 44 | -  | -  | 41 | 40 | 39 | -  | -  | 36 | 35 | 34       | -        |           |           |                                     |
|  |                      |                   |             |        |             |            |                   |     |          |           |  |    |    |    | 32 | 31 | -  | 29 | 28 | 27 | 26 | 25 | 24 | 23 | 22 | 21 | 20 | -  | -        | -        |           |           |                                     |
| MX123 CONN ASSY 73 CKT BLK OPT0 KEY A/24 | 345669203            | C-HSG-A0          | G-CAP-0-P   | TPA-A0 | RS          | LS         | MAL               | CPA | MSEAL    | RSEAL     | -  | -  | -  | -  | -  | -  | 65 | -  | -  | -  | -  | -  | -  | 58 | 57 | 56 | -  | -  | SALEABLE |          | 345650003 |           |                                     |
|  |                      |                   |             |        |             |            |                   |     |          |           | -  | 51 | 50 | -  | -  | 47 | 46 | 45 | -  | -  | -  | 41 | -  | -  | -  | 37 | 36 | -  |          |          |           | -         | -                                   |
|  |                      |                   |             |        |             |            |                   |     |          |           |  |    |    |    | 32 | 31 | -  | -  | -  | -  | 26 | 25 | -  | -  | 22 | 21 | 20 | -  |          |          |           | -         | -                                   |
| MX123 CONN ASSY 73 CKT GRY OPT0 KEY B/46 | 345669213            | C-HSG-B0          | G-CAP-0-P   | TPA-B0 | RS          | LS         | MAL               | CPA | MSEAL    | RSEAL     | 72   | 71 | 70 | 69 | -  | -  | -  | -  | 63 | 62 | 61 | 60 | -  | -  | -  | 56 | -  | -  | -        | SALEABLE |           | 345650003 |                                     |
|  |                      |                   |             |        |             |            |                   |     |          |           | 52   | -  | -  | -  | -  | 47 | -  | -  | 44 | -  | -  | -  | -  | -  | -  | 36 | -  | 34 | -        |          |           |           |                                     |
|  |                      |                   |             |        |             |            |                   |     |          |           |  |    |    |    | -  | -  | -  | 29 | 28 | 27 | -  | 25 | -  | -  | -  | 21 | -  | 19 | 18       |          |           |           | 17                                  |
| MX123 CONN ASSY 73 CKT GRY OPT9 KEY B/30 | 345669223            | C-HSG-B9          | G-CAP-9-P   | TPA-B9 | RS          | LS         | MAL               | CPA | MSEAL    | RSEAL     | -  | 71 | 70 | 69 | 68 | 67 | 66 | 65 | 64 | 63 | -  | -  | -  | 58 | 57 | 56 | -  | 54 | 53       | SALEABLE |           | 345650003 |                                     |
|  |                      |                   |             |        |             |            |                   |     |          |           | -  | 51 | 50 | 49 | -  | -  | -  | 45 | 44 | 43 | 42 | -  | -  | 39 | -  | -  | -  | -  | 34       |          |           |           | 33                                  |
|  |                      |                   |             |        |             |            |                   |     |          |           |  |    |    |    | 32 | 31 | -  | 29 | 28 | 27 | 26 | 25 | 24 | 23 | -  | -  | -  | -  | -        |          |           |           | 17                                  |
| MX123 CONN ASSY 73 CKT BLU OPT9 KEY C/40 | 345669233            | C-HSG-C9          | G-CAP-9-P   | TPA-C9 | RS          | LS         | MAL               | CPA | MSEAL    | RSEAL     | 72   | -  | 70 | 69 | 68 | -  | 66 | -  | -  | 63 | 62 | -  | -  | -  | 58 | -  | 56 | 55 | -        | 53       | SALEABLE  |           | 345650003                           |
|  |                      |                   |             |        |             |            |                   |     |          |           | -  | -  | -  | 49 | -  | -  | 46 | -  | -  | 43 | 42 | -  | 40 | -  | 38 | -  | 36 | 35 | -        | -        |           |           |                                     |
|  |                      |                   |             |        |             |            |                   |     |          |           |  |    |    |    | -  | 31 | 30 | 29 | -  | -  | 26 | -  | 24 | -  | 22 | 21 | 20 | 19 | -        | 17       |           |           |                                     |
| MX123 CONN ASSY 73 CKT GRY OPT9 KEY B/44 | 345669243            | C-HSG-B9          | G-CAP-9-P   | TPA-B9 | RS          | LS         | MAL               | CPA | MSEAL    | RSEAL     | -  | -  | -  | -  | 68 | 67 | 66 | 65 | -  | -  | 62 | -  | 60 | 59 | -  | -  | -  | 54 | 53       | SALEABLE |           | 345650003 |                                     |
|  |                      |                   |             |        |             |            |                   |     |          |           | -  | -  | -  | -  | 48 | 47 | 46 | 45 | 44 | -  | 42 | 41 | 40 | 39 | -  | -  | -  | 35 | 34       |          |           |           | -                                   |
|  |                      |                   |             |        |             |            |                   |     |          |           |  |    |    |    | -  | 31 | -  | -  | -  | 27 | -  | -  | -  | -  | -  | -  | 19 | 18 | 17       |          |           |           |                                     |
| MX123 CONN ASSY 73 CKT GRY OPT9 KEY B/61 | 345669253            | C-HSG-B9          | G-CAP-9-P   | TPA-B9 | RS          | LS         | MAL               | CPA | MSEAL    | RSEAL     | -  | -  | -  | -  | -  | -  | 66 | -  | -  | -  | -  | -  | -  | 58 | -  | -  | -  | -  | SALEABLE |          | 345650003 |           |                                     |
|  |                      |                   |             |        |             |            |                   |     |          |           | -  | -  | -  | -  | -  | -  | -  | -  | -  | -  | -  | -  | 41 | -  | -  | 38 | 37 | -  |          |          |           | -         | -                                   |
|  |                      |                   |             |        |             |            |                   |     |          |           |  |    |    |    | -  | -  | -  | -  | -  | -  | -  | -  | -  | -  | 20 | 19 | 18 | 17 |          |          |           |           |                                     |
| MX123 CONN ASSY 73 CKT GRY OPT9 KEY B/22 | 345669263            | C-HSG-B9          | G-CAP-9-P   | TPA-B9 | RS          | LS         | MAL               | CPA | MSEAL    | RSEAL     | -  | 71 | 70 | 69 | -  | 67 | 66 | 65 | 64 | 63 | -  | -  | -  | 58 | 57 | 56 | -  | 54 | 53       | SALEABLE |           | 345650003 |                                     |
|  |                      |                   |             |        |             |            |                   |     |          |           | -  | 51 | 50 | 49 | 48 | 47 | -  | 45 | 44 | -  | 42 | -  | -  | 39 | 38 | 37 | 36 | 35 | 34       |          |           |           | 33                                  |
|  |                      |                   |             |        |             |            |                   |     |          |           |  |    |    |    | 32 | 31 | 30 | 29 | 28 | 27 | 26 | 25 | 24 | 23 | -  | -  | -  | 19 | 18       |          |           |           | 17                                  |







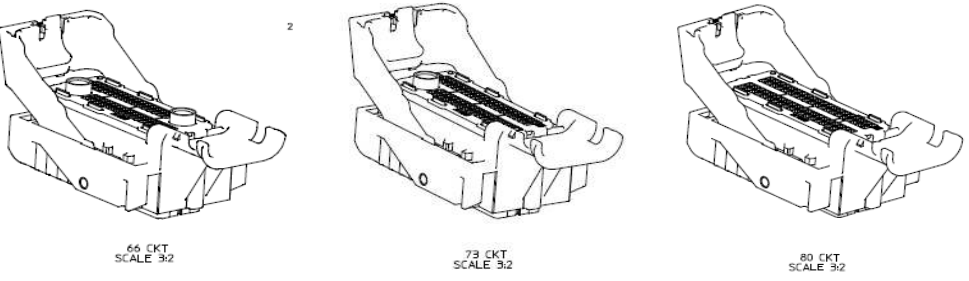
| ASSEMBLY DESCRIPTION                     | ASSEMBLY PART NUMBER | CONNECTOR HOUSING | GROMMET CAP | TPA    | RIGHT SLIDE | LEFT SLIDE | MATE ASSIST LEVER | CPA | MAT SEAL | RING SEAL | BLOCKED TERMINALS  |    |    |    |    |    |    |    |    |    |    |    |    |    |    |    |    |    |    |          | STATUS   | COMMENTS  | INTEGRAL COMPONENTS SOLD SEPARATELY |    |    |    |    |    |    |
|--|----------------------|-------------------|-------------|--------|-------------|------------|-------------------|-----|----------|-----------|--|----|----|----|----|----|----|----|----|----|----|----|----|----|----|----|----|----|----|----------|----------|-----------|-------------------------------------|----|----|----|----|----|----|
|  |                      |                   |             |        |             |            |                   |     |          |           | CAVITY WITH A NUMBER INDICATES BLOCKED TERMINAL POSITION |    |    |    |    |    |    |    |    |    |    |    |    |    |    |    |    |    |    |          |          |           | DRESS COVER                         |    |    |    |    |    |    |
|  |                      |                   |             |        |             |            |                   |     |          |           | CAVITY WITHOUT A NUMBER INDICATES OPEN TERMINAL POSITION |    |    |    |    |    |    |    |    |    |    |    |    |    |    |    |    |    |    |          |          |           |                                     |    |    |    |    |    |    |
| MX123 CONN ASSY 73 CKT GRY OPT9 KEY B/40 | 345669623            | C-HSG-B9          | G-CAP-9-P   | TPA-B9 | RS          | LS         | MAL               | CPA | MSEAL    | RSEAL     | -  | -  | -  | 69 | 68 | 67 | 66 | 65 | -  | -  | 62 | -  | 60 | 59 | -  | -  | -  | -  | 54 | 53       | SALEABLE |           | 345650003                           |    |    |    |    |    |    |
|  |                      |                   |             |        |             |            |                   |     |          |           | -  | -  | -  | 49 | 48 | 47 | 46 | 45 | 44 | -  | 42 | 41 | 40 | 39 | -  | -  | -  | 35 | 34 | 33       |          |           |                                     |    |    |    |    |    |    |
|  |                      |                   |             |        |             |            |                   |     |          |           |  |    |    |    |    |    |    |    |    |    | -  | 31 | -  | -  | -  | 27 | -  | -  | -  | -        |          |           |                                     | -  | -  | -  | 19 | 18 | 17 |
|  |                      |                   |             |        |             |            |                   |     |          |           |  |    |    |    |    |    |    |    |    |    | -  | 15 | -  | -  | 12 | -  | -  | -  | -  | -        |          |           |                                     | -  | -  | -  | 3  | 2  | 1  |
| MX123 CONN ASSY 73 CKT GRY OPT9 KEY B/60 | 345669633            | C-HSG-B9          | G-CAP-9-P   | TPA-B9 | RS          | LS         | MAL               | CPA | MSEAL    | RSEAL     | -  | -  | -  | -  | -  | -  | 66 | -  | -  | -  | 62 | -  | -  | -  | 58 | -  | -  | -  | -  | SALEABLE |          | 345650003 |                                     |    |    |    |    |    |    |
|  |                      |                   |             |        |             |            |                   |     |          |           | -  | -  | -  | -  | -  | -  | -  | -  | -  | -  | -  | 41 | -  | -  | 38 | 37 | -  | -  | -  |          |          |           | -                                   |    |    |    |    |    |    |
|  |                      |                   |             |        |             |            |                   |     |          |           |  |    |    |    |    |    |    |    |    |    | -  | -  | -  | -  | -  | -  | -  | -  | -  |          |          |           | -                                   | -  | 19 | 18 | 17 |    |    |
|  |                      |                   |             |        |             |            |                   |     |          |           |  |    |    |    |    |    |    |    |    |    | -  | -  | -  | -  | -  | -  | -  | 8  | -  |          |          |           | -                                   | 5  | 4  | -  | -  | 1  |    |
| MX123 CONN ASSY 73 CKT BLK OPT9 KEY A/20 | 345669643            | C-HSG-A9          | G-CAP-9-P   | TPA-A9 | RS          | LS         | MAL               | CPA | MSEAL    | RSEAL     | 72   | 71 | 70 | -  | 68 | 67 | 66 | 65 | -  | -  | 62 | -  | 60 | -  | 58 | 57 | 56 | 55 | 54 | 53       | SALEABLE |           | 345650003                           |    |    |    |    |    |    |
|  |                      |                   |             |        |             |            |                   |     |          |           | -  | 51 | 50 | 49 | -  | 47 | 46 | 45 | -  | -  | 42 | -  | 40 | -  | -  | 37 | 36 | -  | -  | 33       |          |           |                                     |    |    |    |    |    |    |
|  |                      |                   |             |        |             |            |                   |     |          |           |  |    |    |    |    |    |    |    |    |    | 32 | 31 | -  | -  | 28 | 27 | 26 | 25 | 24 | 23       |          |           |                                     | 22 | 21 | 20 | 19 | 18 | 17 |
|  |                      |                   |             |        |             |            |                   |     |          |           |  |    |    |    |    |    |    |    |    |    | 16 | 15 | 14 | 13 | 12 | 11 | -  | 9  | 8  | 7        |          |           |                                     | 6  | -  | 4  | 3  | -  | 1  |
| MX123 CONN ASSY 73 CKT GRY OPT0 KEY B/52 | 345669663            | C-HSG-B0          | G-CAP-0-P   | TPA-B0 | RS          | LS         | MAL               | CPA | MSEAL    | RSEAL     | -  | -  | -  | -  | -  | -  | -  | -  | -  | -  | 62 | -  | 60 | 59 | -  | -  | -  | -  | -  | SALEABLE |          | 345650003 |                                     |    |    |    |    |    |    |
|  |                      |                   |             |        |             |            |                   |     |          |           | -  | -  | -  | -  | -  | -  | -  | -  | -  | -  | 43 | 42 | 41 | -  | 39 | 38 | -  | -  | -  |          |          |           | -                                   |    |    |    |    |    |    |
|  |                      |                   |             |        |             |            |                   |     |          |           |  |    |    |    |    |    |    |    |    |    | -  | 31 | -  | -  | -  | 27 | -  | -  | -  |          |          |           | 23                                  | 22 | -  | 20 | 19 | 18 | 17 |
|  |                      |                   |             |        |             |            |                   |     |          |           |  |    |    |    |    |    |    |    |    |    | -  | 15 | -  | -  | -  | 11 | -  | -  | -  |          |          |           | 7                                   | -  | -  | 4  | 3  | -  | -  |
| MX123 CONN ASSY 73 CKT BLU OPT0 KEY C/46 | 345669673            | C-HSG-C0          | G-CAP-0-P   | TPA-C0 | RS          | LS         | MAL               | CPA | MSEAL    | RSEAL     | -  | -  | -  | -  | 68 | -  | -  | -  | -  | 63 | 62 | 61 | -  | 59 | 58 | 57 | -  | 55 | -  | 53       | SALEABLE |           | 345650003                           |    |    |    |    |    |    |
|  |                      |                   |             |        |             |            |                   |     |          |           | -  | -  | -  | -  | 48 | -  | -  | -  | -  | 43 | 42 | 41 | -  | -  | -  | 37 | 36 | 35 | -  | 33       |          |           |                                     |    |    |    |    |    |    |
|  |                      |                   |             |        |             |            |                   |     |          |           |  |    |    |    |    |    |    |    |    |    | 32 | -  | -  | 29 | -  | 27 | -  | -  | -  | -        |          |           |                                     | -  | -  | 19 | 18 | -  |    |
|  |                      |                   |             |        |             |            |                   |     |          |           |  |    |    |    |    |    |    |    |    |    | -  | -  | -  | -  | -  | 11 | 10 | -  | -  | -        |          |           |                                     | -  | -  | 3  | 2  | 1  |    |
| MX123 CONN ASSY 73 CKT GRY OPT0 KEY B/60 | 345669683            | C-HSG-B0          | G-CAP-0-P   | TPA-B0 | RS          | LS         | MAL               | CPA | MSEAL    | RSEAL     | -  | -  | -  | -  | -  | -  | -  | -  | -  | -  | 62 | -  | -  | 59 | 58 | -  | -  | -  | -  | 53       | SALEABLE |           | 345650003                           |    |    |    |    |    |    |
|  |                      |                   |             |        |             |            |                   |     |          |           | -  | -  | -  | -  | -  | -  | -  | -  | -  | -  | 42 | -  | -  | 39 | -  | -  | -  | -  | -  | 34       |          |           |                                     | -  |    |    |    |    |    |
|  |                      |                   |             |        |             |            |                   |     |          |           |  |    |    |    |    |    |    |    |    |    | -  | -  | -  | -  | -  | 27 | -  | 25 | -  | -        |          |           |                                     | -  | -  | -  | -  | 18 | -  |
|  |                      |                   |             |        |             |            |                   |     |          |           |  |    |    |    |    |    |    |    |    |    | -  | -  | -  | -  | -  | 11 | 10 | -  | -  | -        |          |           |                                     | -  | -  | -  | -  | 2  | -  |
| MX123 CONN ASSY 73 CKT BLK OPT0 KEY A/32 | 345669693            | C-HSG-A0          | G-CAP-0-P   | TPA-A0 | RS          | LS         | MAL               | CPA | MSEAL    | RSEAL     | -  | 71 | -  | 69 | 68 | -  | 66 | 65 | 64 | -  | 62 | 61 | -  | -  | -  | -  | -  | 54 | -  | SALEABLE |          | 345650003 |                                     |    |    |    |    |    |    |
|  |                      |                   |             |        |             |            |                   |     |          |           | -  | -  | 50 | 49 | -  | -  | 46 | 45 | 44 | -  | -  | 41 | -  | -  | -  | -  | -  | -  | -  |          |          |           | 34                                  | -  |    |    |    |    |    |
|  |                      |                   |             |        |             |            |                   |     |          |           |  |    |    |    |    |    |    |    |    |    | 32 | 31 | 30 | 29 | -  | 27 | 26 | 25 | 24 |          |          |           | 23                                  | 22 | 21 | 20 | 19 | -  | -  |
|  |                      |                   |             |        |             |            |                   |     |          |           |  |    |    |    |    |    |    |    |    |    | 16 | 15 | 14 | 13 | -  | -  | 10 | 9  | 8  |          |          |           | 7                                   | 6  | 5  | 4  | 3  | -  | -  |
| MX123 CONN ASSY 73 CKT BLK OPT0 KEY A/30 | 345669703            | C-HSG-A0          | G-CAP-0-P   | TPA-A0 | RS          | LS         | MAL               | CPA | MSEAL    | RSEAL     | -  | -  | -  | -  | -  | 67 | 66 | -  | -  | -  | 62 | -  | 60 | -  | 58 | -  | -  | 55 | 54 | 53       | SALEABLE |           | 345650003                           |    |    |    |    |    |    |
|  |                      |                   |             |        |             |            |                   |     |          |           | -  | -  | -  | -  | 48 | -  | 46 | 45 | 44 | 43 | 42 | -  | 40 | 39 | -  | -  | -  | 35 | -  | -        |          |           |                                     |    |    |    |    |    |    |
|  |                      |                   |             |        |             |            |                   |     |          |           |  |    |    |    |    |    |    |    |    |    | -  | -  | -  | -  | -  | 26 | 25 | -  | -  | 22       |          |           |                                     | 21 | -  | -  | -  | 17 |    |
|  |                      |                   |             |        |             |            |                   |     |          |           |  |    |    |    |    |    |    |    |    |    | -  | 15 | 14 | -  | -  | -  | -  | -  | 8  | 7        |          |           |                                     | 6  | 5  | 4  | -  | -  | -  |
| MX123 CONN ASSY 73 CKT GRY OPT0 KEY B/45 | 345669713            | C-HSG-B0          | G-CAP-0-P   | TPA-B0 | RS          | LS         | MAL               | CPA | MSEAL    | RSEAL     | 72   | 71 | 70 | 69 | -  | -  | -  | -  | -  | 63 | 62 | 61 | 60 | -  | -  | -  | 56 | -  | -  | -        | SALEABLE |           | 345650003                           |    |    |    |    |    |    |
|  |                      |                   |             |        |             |            |                   |     |          |           | 52   | -  | -  | -  | -  | 47 | -  | -  | 44 | -  | -  | 41 | -  | -  | -  | -  | 36 | -  | 34 | -        |          |           |                                     |    |    |    |    |    |    |
|  |                      |                   |             |        |             |            |                   |     |          |           |  |    |    |    |    |    |    |    |    |    | -  | -  | -  | 29 | 28 | 27 | -  | 25 | -  | -        |          |           |                                     | -  | 21 | -  | 19 | 18 | 17 |
|  |                      |                   |             |        |             |            |                   |     |          |           |  |    |    |    |    |    |    |    |    |    | -  | 15 | 14 | -  | 12 | 11 | -  | -  | -  | -        |          |           |                                     | -  | -  | -  | -  | -  | 1  |
| MX123 CONN ASSY 73 CKT GRY OPT0 KEY B/47 | 345669723            | C-HSG-B0          | G-CAP-0-P   | TPA-B0 | RS          | LS         | MAL               | CPA | MSEAL    | RSEAL     | -  | -  | -  | -  | -  | -  | -  | -  | -  | -  | 62 | -  | 60 | 59 | -  | -  | -  | -  | 54 | 53       | SALEABLE |           | 345650003                           |    |    |    |    |    |    |
|  |                      |                   |             |        |             |            |                   |     |          |           | -  | -  | -  | -  | -  | -  | -  | -  | 44 | -  | 42 | 41 | -  | 39 | 38 | -  | -  | 35 | 34 | 33       |          |           |                                     |    |    |    |    |    |    |
|  |                      |                   |             |        |             |            |                   |     |          |           |  |    |    |    |    |    |    |    |    |    | -  | 31 | -  | -  | -  | 27 | -  | -  | -  | 23       |          |           |                                     | 22 | -  | 20 | -  | 18 | 17 |
|  |                      |                   |             |        |             |            |                   |     |          |           |  |    |    |    |    |    |    |    |    |    | -  | 15 | -  | -  | -  | -  | -  | -  | -  | 7        |          |           |                                     | -  | -  | 4  | 3  | 2  | 1  |
| MX123 CONN ASSY 73 CKT BLK OPT0 KEY A/32 | 345669733            | C-HSG-A0          | G-CAP-0-P   | TPA-A0 | RS          | LS         | MAL               | CPA | MSEAL    | RSEAL     | -  | -  | -  | 69 | 68 | -  | -  | 65 | 64 | 63 | 62 | 61 | 60 | -  | 58 | 57 | 56 | 55 | 54 | -        | SALEABLE |           | 345650003                           |    |    |    |    |    |    |
|  |                      |                   |             |        |             |            |                   |     |          |           | -  | -  | -  | 49 | 48 | -  | -  | 45 | 44 | 43 | 42 | 41 | 40 | -  | 38 | -  | 36 | -  | 34 | -        |          |           |                                     |    |    |    |    |    |    |
|  |                      |                   |             |        |             |            |                   |     |          |           |  |    |    |    |    |    |    |    |    |    | 32 | 31 | -  | -  | -  | -  | 25 | 24 | 23 | 22       |          |           |                                     | -  | 20 | 19 | 18 | -  |    |
|  |                      |                   |             |        |             |            |                   |     |          |           |  |    |    |    |    |    |    |    |    |    | -  | 15 | 14 | -  | 12 | -  | -  | 9  | -  | -        |          |           |                                     | 6  | 5  | 4  | -  | 2  | -  |
| MX123 CONN ASSY 73 CKT GRY OPT0 KEY B/57 | 345669743            | C-HSG-B0          | G-CAP-0-P   | TPA-B0 | RS          | LS         | MAL               | CPA | MSEAL    | RSEAL     | -  | -  | -  | -  | -  | -  | 66 | -  | -  | -  | 62 | -  | -  | -  | 58 | -  | -  | -  | -  | SALEABLE |          | 345650003 |                                     |    |    |    |    |    |    |
|  |                      |                   |             |        |             |            |                   |     |          |           | 52   | 51 | -  | -  | -  | -  | -  | 45 | -  | -  | -  | 41 | -  | -  | 38 | 37 | -  | -  | -  |          |          |           | -                                   |    |    |    |    |    |    |
|  |                      |                   |             |        |             |            |                   |     |          |           |  |    |    |    |    |    |    |    |    |    | -  | -  | -  | -  | -  | -  | -  | -  | -  |          |          |           | -                                   | -  | 20 | 19 | 18 | 17 |    |
|  |                      |                   |             |        |             |            |                   |     |          |           |  |    |    |    |    |    |    |    |    |    | -  | -  | -  | -  | -  | -  | -  | -  | -  |          |          |           | -                                   | -  | 5  | 4  | -  | -  | 1  |



| ASSEMBLY DESCRIPTION                     | ASSEMBLY PART NUMBER | CONNECTOR HOUSING | GROMMET CAP | TPA    | RIGHT SLIDE | LEFT SLIDE | MATE ASSIST LEVER | CPA | MAT SEAL | RING SEAL | BLOCKED TERMINALS  |    |    |    |    |    |    |    |    |    |    |    |    |    |    |    |    |    |          |          | STATUS    | COMMENTS  | INTEGRAL COMPONENTS SOLD SEPARATELY |
|--|----------------------|-------------------|-------------|--------|-------------|------------|-------------------|-----|----------|-----------|--|----|----|----|----|----|----|----|----|----|----|----|----|----|----|----|----|----|----------|----------|-----------|-----------|-------------------------------------|
|  |                      |                   |             |        |             |            |                   |     |          |           | CAVITY WITH A NUMBER INDICATES BLOCKED TERMINAL POSITION |    |    |    |    |    |    |    |    |    |    |    |    |    |    |    |    |    |          |          |           |           | DRESS COVER                         |
|  |                      |                   |             |        |             |            |                   |     |          |           | CAVITY WITHOUT A NUMBER INDICATES OPEN TERMINAL POSITION |    |    |    |    |    |    |    |    |    |    |    |    |    |    |    |    |    |          |          |           |           |                                     |
| MX123 CONN ASSY 73 CKT BLU OPT0 KEY C/45 | 345669753            | C-HSG-C0          | G-CAP-0-P   | TPA-C0 | RS          | LS         | MAL               | CPA | MSEAL    | RSEAL     | -  | -  | -  | -  | 68 | -  | -  | -  | -  | 63 | 62 | 61 | -  | 59 | 58 | 57 | -  | 55 | -        | 53       | SALEABLE  |           | 345650003                           |
|  |                      |                   |             |        |             |            |                   |     |          |           | -  | -  | -  | -  | 48 | -  | -  | -  | -  | 43 | -  | -  | -  | -  | 38 | 37 | 36 | 35 | 34       | 33       |           |           |                                     |
|  |                      |                   |             |        |             |            |                   |     |          |           | -  | -  | -  | -  | 32 | -  | -  | 29 | -  | 27 | -  | -  | -  | -  | -  | -  | -  | 19 | 18       | 17       |           |           |                                     |
|  |                      |                   |             |        |             |            |                   |     |          |           | -  | -  | -  | -  | -  | -  | 11 | 10 | -  | -  | -  | -  | -  | -  | -  | -  | -  | 3  | 2        | 1        |           |           |                                     |
| MX123 CONN ASSY 73 CKT BLK OPT0 KEY A/33 | 345669773            | C-HSG-A0          | G-CAP-0-P   | TPA-A0 | RS          | LS         | MAL               | CPA | MSEAL    | RSEAL     | -  | -  | -  | 69 | 68 | -  | -  | 65 | 64 | 63 | 62 | 61 | 60 | -  | 58 | 57 | 56 | 55 | 54       | -        | SALEABLE  |           | 345650003                           |
|  |                      |                   |             |        |             |            |                   |     |          |           | -  | -  | -  | 49 | 48 | -  | -  | 45 | 44 | 43 | 42 | 41 | 40 | -  | 38 | -  | 36 | -  | 34       | -        |           |           |                                     |
|  |                      |                   |             |        |             |            |                   |     |          |           | -  | -  | -  | 32 | 31 | -  | -  | -  | -  | -  | -  | 25 | 24 | 23 | 22 | -  | 20 | 19 | 18       | -        |           |           |                                     |
|  |                      |                   |             |        |             |            |                   |     |          |           | -  | -  | 15 | 14 | -  | -  | -  | -  | -  | 9  | -  | -  | 6  | 5  | 4  | -  | 2  | -  | -        | -        |           |           |                                     |
| MX123 CONN ASSY 73 CKT GRY OPT0 KEY B/58 | 345669783            | C-HSG-B0          | G-CAP-0-P   | TPA-B0 | RS          | LS         | MAL               | CPA | MSEAL    | RSEAL     | -  | -  | -  | -  | -  | 66 | -  | -  | -  | -  | -  | -  | -  | 58 | -  | -  | -  | -  | -        | SALEABLE |           | 345650003 |                                     |
|  |                      |                   |             |        |             |            |                   |     |          |           | 52   | 51 | -  | -  | -  | -  | -  | 45 | -  | -  | -  | 41 | -  | -  | 38 | 37 | -  | -  | -        |          |           |           | -                                   |
|  |                      |                   |             |        |             |            |                   |     |          |           | -  | -  | -  | -  | -  | -  | -  | -  | -  | -  | -  | -  | -  | -  | -  | -  | 20 | 19 | 18       |          |           |           | 17                                  |
|  |                      |                   |             |        |             |            |                   |     |          |           | -  | -  | -  | -  | -  | -  | -  | -  | -  | -  | -  | -  | -  | -  | -  | 5  | 4  | -  | -        |          |           |           | 1                                   |
| MX123 CONN ASSY 73 CKT GRY OPT9 KEY B/47 | 345669793            | C-HSG-B9          | G-CAP-9-P   | TPA-B9 | RS          | LS         | MAL               | CPA | MSEAL    | RSEAL     | -  | -  | 70 | -  | -  | 66 | -  | -  | -  | 62 | -  | 60 | 59 | -  | -  | -  | -  | -  | -        | SALEABLE |           | 345650003 |                                     |
|  |                      |                   |             |        |             |            |                   |     |          |           | -  | -  | -  | -  | -  | 46 | 45 | -  | -  | 42 | -  | 40 | 39 | -  | -  | -  | 35 | 34 | 33       |          |           |           |                                     |
|  |                      |                   |             |        |             |            |                   |     |          |           | -  | -  | -  | 32 | 31 | 30 | -  | -  | 27 | -  | -  | -  | -  | -  | 21 | -  | 19 | 18 | 17       |          |           |           |                                     |
|  |                      |                   |             |        |             |            |                   |     |          |           | -  | -  | 15 | -  | -  | -  | 11 | -  | -  | -  | -  | -  | -  | -  | -  | -  | 3  | 2  | 1        |          |           |           |                                     |
| MX123 CONN ASSY 73 CKT BLK OPT0 KEY A/32 | 345669803            | C-HSG-A0          | G-CAP-0-P   | TPA-A0 | RS          | LS         | MAL               | CPA | MSEAL    | RSEAL     | -  | -  | -  | -  | 67 | 66 | -  | -  | -  | 62 | -  | 60 | -  | 58 | -  | -  | 55 | 54 | 53       | SALEABLE |           | 345650003 |                                     |
|  |                      |                   |             |        |             |            |                   |     |          |           | -  | -  | -  | -  | 48 | -  | 46 | 45 | 44 | 43 | 42 | -  | 40 | 39 | -  | -  | -  | 35 | -        |          |           |           | -                                   |
|  |                      |                   |             |        |             |            |                   |     |          |           | -  | -  | -  | -  | -  | -  | -  | -  | 26 | 25 | -  | -  | 22 | 21 | -  | -  | -  | -  | -        |          |           |           | 17                                  |
|  |                      |                   |             |        |             |            |                   |     |          |           | -  | -  | 15 | 14 | -  | -  | -  | -  | -  | 8  | 7  | 6  | 5  | 4  | 3  | 2  | -  | -  | -        |          |           |           | -                                   |
| MX123 CONN ASSY 73 CKT BLK OPT9 KEY A/42 | 345669813            | C-HSG-A9          | G-CAP-9-P   | TPA-A9 | RS          | LS         | MAL               | CPA | MSEAL    | RSEAL     | -  | -  | -  | 69 | 68 | -  | -  | -  | -  | -  | -  | 60 | -  | 58 | 57 | 56 | -  | -  | -        | SALEABLE |           | 345650003 |                                     |
|  |                      |                   |             |        |             |            |                   |     |          |           | -  | -  | 50 | 49 | 48 | -  | -  | -  | -  | -  | -  | 40 | -  | 38 | -  | -  | -  | -  | -        |          |           |           |                                     |
|  |                      |                   |             |        |             |            |                   |     |          |           | -  | -  | -  | 32 | 31 | -  | -  | 28 | 27 | 26 | -  | 24 | 23 | 22 | 21 | 20 | 19 | -  | -        |          |           |           |                                     |
|  |                      |                   |             |        |             |            |                   |     |          |           | -  | -  | 16 | 15 | 14 | -  | 12 | -  | 10 | 9  | -  | -  | 6  | 5  | -  | -  | 2  | -  | -        |          |           |           | -                                   |
| MX123 CONN ASSY 73 CKT BLK OPT0 KEY A/60 | 345669823            | C-HSG-A0          | G-CAP-0-P   | TPA-A0 | RS          | LS         | MAL               | CPA | MSEAL    | RSEAL     | -  | -  | -  | -  | -  | 66 | -  | -  | -  | 62 | -  | -  | -  | 58 | -  | -  | -  | -  | -        | SALEABLE |           | 345650003 |                                     |
|  |                      |                   |             |        |             |            |                   |     |          |           | -  | -  | -  | -  | -  | -  | -  | -  | -  | -  | 41 | -  | -  | 38 | 37 | -  | -  | -  | -        |          |           |           |                                     |
|  |                      |                   |             |        |             |            |                   |     |          |           | -  | -  | -  | -  | -  | -  | -  | -  | -  | -  | -  | -  | -  | -  | -  | 20 | 19 | 18 | 17       |          |           |           |                                     |
|  |                      |                   |             |        |             |            |                   |     |          |           | -  | -  | -  | -  | -  | -  | -  | -  | -  | -  | -  | -  | -  | -  | 5  | 4  | -  | -  | 1        |          |           |           |                                     |
| MX123 CONN ASSY 73 CKT GRY OPT9 KEY B/51 | 345669833            | C-HSG-B9          | G-CAP-9-P   | TPA-B9 | RS          | LS         | MAL               | CPA | MSEAL    | RSEAL     | -  | -  | -  | -  | -  | 66 | 65 | -  | -  | 62 | -  | 60 | 59 | -  | -  | -  | -  | -  | SALEABLE |          | 345650003 |           |                                     |
|  |                      |                   |             |        |             |            |                   |     |          |           | -  | -  | -  | -  | -  | 46 | 45 | -  | -  | 42 | -  | 40 | 39 | -  | -  | -  | 35 | 34 |          |          |           | -         |                                     |
|  |                      |                   |             |        |             |            |                   |     |          |           | -  | -  | -  | 31 | -  | -  | -  | 27 | -  | -  | -  | -  | -  | -  | -  | -  | 19 | 18 |          |          |           | 17        |                                     |
|  |                      |                   |             |        |             |            |                   |     |          |           | -  | -  | 15 | -  | -  | -  | 11 | -  | -  | -  | -  | -  | -  | -  | -  | -  | 3  | 2  |          |          |           | 1         |                                     |
| MX123 CONN ASSY 73 CKT BLK OPT9 KEY A/41 | 345669843            | C-HSG-A9          | G-CAP-9-P   | TPA-A9 | RS          | LS         | MAL               | CPA | MSEAL    | RSEAL     | -  | -  | -  | 69 | 68 | -  | -  | -  | -  | -  | -  | 60 | -  | 58 | 57 | 56 | -  | -  | -        | SALEABLE |           | 345650003 |                                     |
|  |                      |                   |             |        |             |            |                   |     |          |           | -  | -  | -  | 49 | 48 | -  | -  | -  | -  | -  | -  | -  | 38 | -  | -  | -  | -  | -  | -        |          |           |           |                                     |
|  |                      |                   |             |        |             |            |                   |     |          |           | -  | -  | -  | 32 | 31 | -  | -  | 28 | 27 | 26 | 25 | 24 | 23 | 22 | 21 | 20 | 19 | -  | -        |          |           |           |                                     |
|  |                      |                   |             |        |             |            |                   |     |          |           | -  | -  | 16 | 15 | 14 | -  | 12 | 11 | 10 | 9  | -  | -  | 6  | 5  | 4  | -  | 2  | -  | -        |          |           |           | -                                   |
| MX123 CONN ASSY 73 CKT GRY OPT9 KEY B/62 | 345669853            | C-HSG-B9          | G-CAP-9-P   | TPA-B9 | RS          | LS         | MAL               | CPA | MSEAL    | RSEAL     | -  | -  | -  | -  | -  | 66 | -  | -  | -  | -  | -  | -  | -  | -  | -  | -  | -  | -  | SALEABLE |          | 345650003 |           |                                     |
|  |                      |                   |             |        |             |            |                   |     |          |           | -  | -  | -  | -  | -  | -  | -  | -  | -  | -  | 41 | -  | -  | 38 | 37 | -  | -  | -  |          |          |           | -         |                                     |
|  |                      |                   |             |        |             |            |                   |     |          |           | -  | -  | -  | -  | -  | -  | -  | -  | -  | -  | -  | -  | -  | -  | -  | 19 | 18 | 17 |          |          |           |           |                                     |
|  |                      |                   |             |        |             |            |                   |     |          |           | -  | -  | -  | -  | -  | -  | -  | -  | -  | -  | 8  | -  | -  | 5  | 4  | -  | -  | 1  |          |          |           | -         | -                                   |
| MX123 CONN ASSY 73 CKT GRY OPT0 KEY B/61 | 345669863            | C-HSG-B0          | G-CAP-0-P   | TPA-B0 | RS          | LS         | MAL               | CPA | MSEAL    | RSEAL     | -  | -  | -  | -  | -  | 66 | -  | -  | -  | -  | -  | -  | -  | 58 | -  | -  | -  | -  | -        | SALEABLE |           | 345650003 |                                     |
|  |                      |                   |             |        |             |            |                   |     |          |           | -  | -  | -  | -  | -  | -  | -  | -  | -  | -  | 41 | -  | -  | 38 | 37 | -  | -  | -  | -        |          |           |           |                                     |
|  |                      |                   |             |        |             |            |                   |     |          |           | -  | -  | -  | -  | -  | -  | -  | -  | -  | -  | -  | -  | -  | -  | -  | 20 | 19 | 18 | 17       |          |           |           |                                     |
|  |                      |                   |             |        |             |            |                   |     |          |           | -  | -  | -  | -  | -  | -  | -  | -  | -  | -  | -  | -  | -  | -  | 5  | 4  | -  | -  | 1        |          |           |           |                                     |
| MX123 CONN ASSY 73 CKT BLK OPT0 KEY A/33 | 345669903            | C-HSG-A0          | G-CAP-0-P   | TPA-A0 | RS          | LS         | MAL               | CPA | MSEAL    | RSEAL     | 72   | -  | 70 | -  | -  | 67 | 66 | -  | -  | 62 | -  | 60 | -  | -  | -  | -  | 55 | 54 | 53       | SALEABLE |           | 345650003 |                                     |
|  |                      |                   |             |        |             |            |                   |     |          |           | -  | 51 | -  | -  | 48 | -  | 46 | 45 | 44 | 43 | 42 | -  | 40 | 39 | -  | -  | -  | 35 | -        |          |           |           | -                                   |
|  |                      |                   |             |        |             |            |                   |     |          |           | -  | -  | -  | -  | -  | -  | -  | -  | 26 | 25 | -  | -  | 22 | 21 | -  | -  | -  | -  | -        |          |           |           | -                                   |
|  |                      |                   |             |        |             |            |                   |     |          |           | -  | -  | 15 | 14 | -  | -  | -  | -  | -  | 8  | 7  | 6  | 5  | 4  | 3  | 2  | -  | -  | -        |          |           |           | -                                   |

| ASSEMBLY DESCRIPTION                     | ASSEMBLY PART NUMBER | CONNECTOR HOUSING | GROMMET CAP | TPA    | RIGHT SLIDE | LEFT SLIDE | MATE ASSIST LEVER | CPA | MAT SEAL | RING SEAL | BLOCKED TERMINALS  |    |    |    |    |    |    |    |    |    |    |    |    |    |    |    |    |    |    |    | STATUS   | COMMENTS | INTEGRAL COMPONENTS SOLD SEPARATELY |
|--|----------------------|-------------------|-------------|--------|-------------|------------|-------------------|-----|----------|-----------|--|----|----|----|----|----|----|----|----|----|----|----|----|----|----|----|----|----|----|----|----------|----------|-------------------------------------|
|  |                      |                   |             |        |             |            |                   |     |          |           | CAVITY WITH A NUMBER INDICATES BLOCKED TERMINAL POSITION |    |    |    |    |    |    |    |    |    |    |    |    |    |    |    |    |    |    |    |          |          | DRESS COVER                         |
|  |                      |                   |             |        |             |            |                   |     |          |           | CAVITY WITHOUT A NUMBER INDICATES OPEN TERMINAL POSITION |    |    |    |    |    |    |    |    |    |    |    |    |    |    |    |    |    |    |    |          |          |                                     |
| MX123 CONN ASSY 73 CKT BLK OPT0 KEY A/41 | 345669913            | C-HSG-A0          | G-CAP-0-P   | TPA-A0 | RS          | LS         | MAL               | CPA | MSEAL    | RSEAL     | -  | -  | 70 | 69 | -  | -  | -  | -  | -  | 63 | 62 | 61 | 60 | -  | 58 | 57 | 56 | 55 | 54 | 53 | SALEABLE |          | 345650003                           |
|  |                      |                   |             |        |             |            |                   |     |          |           | 52   | 51 | -  | 49 | -  | -  | -  | -  | 44 | 43 | 42 | 41 | -  | -  | -  | 37 | 36 | 35 | 34 | 33 |          |          |                                     |
|  |                      |                   |             |        |             |            |                   |     |          |           |  |    |    |    | 32 | -  | -  | 29 | 28 | 27 | 26 | -  | -  | 23 | -  | -  | -  | 19 | 18 | -  |          |          |                                     |
|  |                      |                   |             |        |             |            |                   |     |          |           |  |    |    |    | 16 | 15 | -  | 13 | 12 | 11 | 10 | -  | 8  | -  | -  | -  | -  | 3  | -  | -  |          |          |                                     |
| MX123 CONN ASSY 73 CKT BLK OPT0 KEY A/41 | 345669923            | C-HSG-A0          | G-CAP-0-P   | TPA-A0 | RS          | LS         | MAL               | CPA | MSEAL    | RSEAL     | -  | -  | 70 | 69 | 68 | -  | -  | 65 | 64 | 63 | -  | -  | -  | 59 | 58 | -  | 56 | -  | -  | 53 | SALEABLE |          | 345650003                           |
|  |                      |                   |             |        |             |            |                   |     |          |           | 52   | -  | 50 | 49 | -  | 47 | -  | -  | -  | -  | -  | 41 | 40 | -  | 38 | 37 | 36 | -  | 34 | -  |          |          |                                     |
|  |                      |                   |             |        |             |            |                   |     |          |           |  |    |    |    | 32 | 31 | 30 | 29 | 28 | 27 | -  | -  | -  | 23 | 22 | 21 | 20 | 19 | 18 | 17 |          |          |                                     |
|  |                      |                   |             |        |             |            |                   |     |          |           |  |    |    |    | 16 | -  | -  | 13 | 12 | 11 | 10 | 9  | -  | -  | -  | -  | -  | -  | -  | -  |          |          |                                     |
| MX123 CONN ASSY 73 CKT GRY OPT0 KEY B/51 | 345669933            | C-HSG-B0          | G-CAP-0-P   | TPA-B0 | RS          | LS         | MAL               | CPA | MSEAL    | RSEAL     | 72   | 71 | 70 | -  | 68 | 67 | 66 | -  | -  | -  | 62 | 61 | 60 | 59 | 58 | 57 | 56 | 55 | 54 | 53 | SALEABLE |          | 345650003                           |
|  |                      |                   |             |        |             |            |                   |     |          |           | 52   | 51 | 50 | -  | 48 | 47 | 46 | -  | -  | -  | 42 | 41 | 40 | 39 | 38 | 37 | 36 | 35 | 34 | 33 |          |          |                                     |
|  |                      |                   |             |        |             |            |                   |     |          |           |  |    |    |    | 32 | 31 | 30 | 29 | 28 | 27 | 26 | 25 | 24 | 23 | -  | -  | -  | -  | -  | -  |          |          |                                     |
|  |                      |                   |             |        |             |            |                   |     |          |           |  |    |    |    | 16 | 15 | 14 | 13 | -  | -  | 10 | 9  | 8  | 7  | -  | -  | -  | -  | -  | -  |          |          |                                     |
| MX123 CONN ASSY 73 CKT BLU OPT0 KEY C/38 | 345669943            | C-HSG-C0          | G-CAP-0-P   | TPA-C0 | RS          | LS         | MAL               | CPA | MSEAL    | RSEAL     | 72   | -  | 70 | -  | 68 | 67 | 66 | -  | -  | 63 | 62 | -  | -  | 59 | -  | 57 | -  | -  | -  | 53 | SALEABLE |          | 345650003                           |
|  |                      |                   |             |        |             |            |                   |     |          |           | 52   | 51 | -  | -  | 48 | 47 | 46 | -  | 44 | -  | 42 | -  | 40 | 39 | 38 | -  | -  | -  | 34 | 33 |          |          |                                     |
|  |                      |                   |             |        |             |            |                   |     |          |           |  |    |    |    | 32 | -  | 30 | -  | -  | 27 | 26 | 25 | -  | -  | 22 | 21 | 20 | -  | -  | -  |          |          |                                     |
|  |                      |                   |             |        |             |            |                   |     |          |           |  |    |    |    | -  | 15 | 14 | -  | -  | -  | 10 | 9  | -  | -  | 6  | 5  | 4  | -  | -  | -  |          |          |                                     |
| MX123 CONN ASSY 73 CKT BLK OPT0 KEY A/51 | 345669953            | C-HSG-A0          | G-CAP-0-P   | TPA-A0 | RS          | LS         | MAL               | CPA | MSEAL    | RSEAL     | 72   | 71 | 70 | 69 | 68 | -  | 66 | 65 | 64 | 63 | -  | 61 | -  | 59 | 58 | -  | 56 | -  | 54 | 53 | SALEABLE |          | 345650003                           |
|  |                      |                   |             |        |             |            |                   |     |          |           | 52   | -  | 50 | 49 | -  | 47 | -  | -  | -  | -  | 42 | 41 | 40 | -  | 38 | 37 | 36 | -  | 34 | 33 |          |          |                                     |
|  |                      |                   |             |        |             |            |                   |     |          |           |  |    |    |    | 32 | 31 | 30 | 29 | 28 | 27 | 26 | -  | 24 | 23 | 22 | 21 | 20 | 19 | 18 | 17 |          |          |                                     |
|  |                      |                   |             |        |             |            |                   |     |          |           |  |    |    |    | 16 | -  | -  | 13 | 12 | 11 | 10 | 9  | 8  | -  | -  | -  | -  | -  | -  | 1  |          |          |                                     |
| MX123 CONN ASSY 73 CKT GRY OPT0 KEY B/24 | 345669963            | C-HSG-B0          | G-CAP-0-P   | TPA-B0 | RS          | LS         | MAL               | CPA | MSEAL    | RSEAL     | 72   | 71 | 70 | 69 | -  | -  | 66 | 65 | -  | -  | 62 | 61 | 60 | 59 | -  | 57 | 56 | -  | 54 | 53 | SALEABLE |          | 345650003                           |
|  |                      |                   |             |        |             |            |                   |     |          |           | 52   | 51 | 50 | 49 | 48 | 47 | -  | -  | 44 | -  | 42 | 41 | 40 | 39 | -  | 37 | 36 | -  | 34 | 33 |          |          |                                     |
|  |                      |                   |             |        |             |            |                   |     |          |           |  |    |    |    | -  | 31 | -  | -  | -  | -  | 26 | 25 | 24 | 23 | -  | 21 | 20 | -  | 18 | -  |          |          |                                     |
|  |                      |                   |             |        |             |            |                   |     |          |           |  |    |    |    | 16 | -  | 14 | -  | 12 | 11 | -  | 9  | 8  | 7  | 6  | 5  | 4  | 3  | 2  | -  |          |          |                                     |
| MX123 CONN ASSY 73 CKT GRY OPT0 KEY B/19 | 345669973            | C-HSG-B0          | G-CAP-0-P   | TPA-B0 | RS          | LS         | MAL               | CPA | MSEAL    | RSEAL     | 72   | 71 | 70 | 69 | -  | -  | 66 | 65 | -  | -  | 62 | 61 | 60 | 59 | -  | 57 | 56 | 55 | 54 | 53 | SALEABLE |          | 345650003                           |
|  |                      |                   |             |        |             |            |                   |     |          |           | 52   | 51 | 50 | 49 | 48 | 47 | -  | -  | 44 | -  | 42 | 41 | 40 | 39 | -  | 37 | 36 | 35 | 34 | 33 |          |          |                                     |
|  |                      |                   |             |        |             |            |                   |     |          |           |  |    |    |    | -  | 31 | -  | -  | -  | -  | 26 | 25 | 24 | 23 | -  | 21 | 20 | 19 | 18 | -  |          |          |                                     |
|  |                      |                   |             |        |             |            |                   |     |          |           |  |    |    |    | 16 | -  | 14 | -  | 12 | 11 | -  | 9  | 8  | 7  | 6  | 5  | 4  | 3  | 2  | 1  |          |          |                                     |

MX123 52/66/73/80-WAY RECEPTACLE ASSY SEALED PIN OUT SHEET



| UNCHECKED cavity number(s) are OPEN |                                     |                                     |                                     |                                     |                                     |                                     |                                     |                                     |                                     |                                     |                                     |                                     |                                     |                                     |                                     |                                     |                                     |                                     |                                     |
|-------------------------------------|-------------------------------------|-------------------------------------|-------------------------------------|-------------------------------------|-------------------------------------|-------------------------------------|-------------------------------------|-------------------------------------|-------------------------------------|-------------------------------------|-------------------------------------|-------------------------------------|-------------------------------------|-------------------------------------|-------------------------------------|-------------------------------------|-------------------------------------|-------------------------------------|-------------------------------------|
| 72                                  | 71                                  | 70                                  | 69                                  | 68                                  | 67                                  | 66                                  | 65                                  | 64                                  | 63                                  | 62                                  | 61                                  | 60                                  | 59                                  | 58                                  | 57                                  | 56                                  | 55                                  | 54                                  | 53                                  |
| <input checked="" type="checkbox"/> | <input checked="" type="checkbox"/> | <input checked="" type="checkbox"/> | <input type="checkbox"/>            | <input type="checkbox"/>            | <input type="checkbox"/>            | <input checked="" type="checkbox"/> | <input type="checkbox"/>            | <input type="checkbox"/>            | <input checked="" type="checkbox"/> | <input checked="" type="checkbox"/> | <input checked="" type="checkbox"/> | <input checked="" type="checkbox"/> | <input checked="" type="checkbox"/> | <input type="checkbox"/>            | <input checked="" type="checkbox"/> | <input checked="" type="checkbox"/> | <input checked="" type="checkbox"/> | <input checked="" type="checkbox"/> | <input checked="" type="checkbox"/> |
| 52                                  | 51                                  | 50                                  | 49                                  | 48                                  | 47                                  | 46                                  | 45                                  | 44                                  | 43                                  | 42                                  | 41                                  | 40                                  | 39                                  | 38                                  | 37                                  | 36                                  | 35                                  | 34                                  | 33                                  |
| <input checked="" type="checkbox"/> | <input checked="" type="checkbox"/> | <input checked="" type="checkbox"/> | <input checked="" type="checkbox"/> | <input checked="" type="checkbox"/> | <input checked="" type="checkbox"/> | <input checked="" type="checkbox"/> | <input type="checkbox"/>            | <input type="checkbox"/>            | <input checked="" type="checkbox"/> | <input checked="" type="checkbox"/> | <input checked="" type="checkbox"/> | <input checked="" type="checkbox"/> | <input checked="" type="checkbox"/> | <input checked="" type="checkbox"/> | <input checked="" type="checkbox"/> | <input checked="" type="checkbox"/> | <input checked="" type="checkbox"/> | <input checked="" type="checkbox"/> | <input checked="" type="checkbox"/> |
|                                     |                                     |                                     |                                     |                                     |                                     |                                     |                                     |                                     |                                     |                                     |                                     |                                     |                                     |                                     |                                     |                                     |                                     |                                     |                                     |
|                                     |                                     |                                     |                                     |                                     |                                     |                                     |                                     |                                     |                                     |                                     |                                     |                                     |                                     |                                     |                                     |                                     |                                     |                                     |                                     |
| 73                                  |                                     | 32                                  | 31                                  | 30                                  | 29                                  | 28                                  | 27                                  | 26                                  | 25                                  | 24                                  | 23                                  | 22                                  | 21                                  | 20                                  | 19                                  | 18                                  | 17                                  |                                     |                                     |
| <input checked="" type="checkbox"/> | <input type="checkbox"/>            | <input type="checkbox"/>            | <input checked="" type="checkbox"/> | <input type="checkbox"/>            | <input type="checkbox"/>            | <input type="checkbox"/>            | <input checked="" type="checkbox"/> | <input checked="" type="checkbox"/> | <input checked="" type="checkbox"/> | <input checked="" type="checkbox"/> | <input checked="" type="checkbox"/> | <input checked="" type="checkbox"/> | <input checked="" type="checkbox"/> | <input checked="" type="checkbox"/> | <input checked="" type="checkbox"/> | <input checked="" type="checkbox"/> | <input checked="" type="checkbox"/> | <input checked="" type="checkbox"/> | <input checked="" type="checkbox"/> |
|                                     |                                     |                                     |                                     |                                     |                                     |                                     |                                     |                                     |                                     |                                     |                                     |                                     |                                     |                                     |                                     |                                     |                                     |                                     |                                     |
|                                     |                                     | 16                                  | 15                                  | 14                                  | 13                                  | 12                                  | 11                                  | 10                                  | 9                                   | 8                                   | 7                                   | 6                                   | 5                                   | 4                                   | 3                                   | 2                                   | 1                                   |                                     |                                     |
| <input checked="" type="checkbox"/> | <input type="checkbox"/>            | <input checked="" type="checkbox"/> | <input type="checkbox"/>            | <input checked="" type="checkbox"/> | <input type="checkbox"/>            | <input checked="" type="checkbox"/> | <input checked="" type="checkbox"/> | <input type="checkbox"/>            | <input checked="" type="checkbox"/> | <input checked="" type="checkbox"/> | <input checked="" type="checkbox"/> | <input checked="" type="checkbox"/> | <input checked="" type="checkbox"/> | <input checked="" type="checkbox"/> | <input checked="" type="checkbox"/> | <input checked="" type="checkbox"/> | <input checked="" type="checkbox"/> | <input checked="" type="checkbox"/> | <input checked="" type="checkbox"/> |

FOR ADDITIONAL INFORMATION SEE SD-34566-001

| STATUS         | GM PART # | HRNS CONN ASSY |                   |                   | TPA               | GROMMET CAP                                 |    |    |    |    |    |    |    |    |    |    |    |    |    |    |    |    |    |    |    |
|----------------|-----------|----------------|-------------------|-------------------|-------------------|---|----|----|----|----|----|----|----|----|----|----|----|----|----|----|----|----|----|----|----|
|                |           | MATERIAL/PART  | WIRE DRESS OPTION | KEY OPTION        | COLOR OPTION      | NUMBERS INDICATE CAVITIES OPEN FOR CIRCUITS |    |    |    |    |    |    |    |    |    |    |    |    |    |    |    |    |    |    |    |
|                |           | NUMBER         |                   | OPTION<br>▽<br>Fp | OPTION<br>▽<br>Fp | ▽<br>Fp                                     |    |    |    |    |    |    |    |    |    |    |    |    |    |    |    |    |    |    |    |
| SALEABLE       | 12672860  | 34566-0103     | 0                 | A                 | BLACK             |   |    |    |    |    |    |    |    |    |    |    |    |    |    |    |    |    |    |    |    |
| SALEABLE       | 12672862  | 34566-0203     | 0                 | B                 | ST GRY            | 72  | 71 | 70 | 69 | 68 | 67 | 66 | 65 | 64 | 63 | 62 | 61 | 60 | 59 | 58 | 57 | 56 | 55 | 54 | 53 |
| SALEABLE       | 12672864  | 34566-0303     | 0                 | C                 | BLUE              | 52  | 51 | 50 | 49 | 48 | 47 | 46 | 45 | 44 | 43 | 42 | 41 | 40 | 39 | 38 | 37 | 36 | 35 | 34 | 33 |
| TOOL DES. REL. | 12615660  | 34566-0403     | 0                 | D                 | BROWN             | 73  |    |    |    | 32 | 31 | 30 | 29 | 28 | 27 | 26 | 25 | 24 | 23 | 22 | 21 | 20 | 19 | 18 | 17 |
| TOOL DES. REL. | 12615661  | 34566-0503     | 0                 | E                 | GREEN             | 73  |    |    |    | 16 | 15 | 14 | 13 | 12 | 11 | 10 | 9  | 8  | 7  | 6  | 5  | 4  | 3  | 2  | 1  |
| SALEABLE       | 12672866  | 34566-0603     | 0                 | F                 | NATURAL           |   |    |    |    |    |    |    |    |    |    |    |    |    |    |    |    |    |    |    |    |
| SALEABLE       | 12672872  | 34566-0703     | 0                 | G                 | BLUE              |   |    |    |    |    |    |    |    |    |    |    |    |    |    |    |    |    |    |    |    |
| SALEABLE       | 12672870  | 34566-0803     | 0                 | H                 | ST GRY            | 80  | 79 | 78 | 77 | 76 | 75 | 74 | 73 | 72 | 71 | 70 | 69 | 68 | 67 | 66 | 65 | 64 | 63 | 62 | 61 |
| TOOL DES. REL. | 12672868  | 34566-0903     | 0                 | J                 | BLACK             | 60  | 61 | 62 | 63 | 64 | 65 | 66 | 67 | 68 | 69 | 70 | 71 | 72 | 73 | 74 | 75 | 76 | 77 | 78 | 79 |
| TOOL DES. REL. | TBD       | 34566-1003     | 0                 | K                 | BROWN             | 40  | 39 | 38 | 37 | 36 | 35 | 34 | 33 | 32 | 31 | 30 | 29 | 28 | 27 | 26 | 25 | 24 | 23 | 22 | 21 |
| TOOL DES. REL. | TBD       | 34566-1103     | 0                 | L                 | GREEN             | 20  | 19 | 18 | 17 | 16 | 15 | 14 | 13 | 12 | 11 | 10 | 9  | 8  | 7  | 6  | 5  | 4  | 3  | 2  | 1  |
| TOOL DES. REL. | TBD       | 34566-1203     | 0                 | M                 | NATURAL           |   |    |    |    |    |    |    |    |    |    |    |    |    |    |    |    |    |    |    |    |
| SALEABLE       | 12672861  | 34566-1303     | 9                 | A                 | BLACK             |   |    |    |    |    |    |    |    |    |    |    |    |    |    |    |    |    |    |    |    |
| SALEABLE       | 12672863  | 34566-1403     | 9                 | B                 | ST GRY            | 72  | 71 | 70 | 69 | 68 | 67 | 66 | 65 | 64 | 63 | 62 | 61 | 60 | 59 | 58 | 57 | 56 | 55 | 54 | 53 |
| SALEABLE       | 12672865  | 34566-1503     | 9                 | C                 | BLUE              | 52  | 51 | 50 | 49 | 48 | 47 | 46 | 45 | 44 | 43 | 42 | 41 | 40 | 39 | 38 | 37 | 36 | 35 | 34 | 33 |
| TOOL DES. REL. | 12615663  | 34566-1603     | 9                 | D                 | BROWN             | 73  |    |    |    | 32 | 31 | 30 | 29 | 28 | 27 | 26 | 25 | 24 | 23 | 22 | 21 | 20 | 19 | 18 | 17 |
| TOOL DES. REL. | 12615664  | 34566-1703     | 9                 | E                 | GREEN             | 73  |    |    |    | 16 | 15 | 14 | 13 | 12 | 11 | 10 | 9  | 8  | 7  | 6  | 5  | 4  | 3  | 2  | 1  |
| SALEABLE       | 12672867  | 34566-1803     | 9                 | F                 | NATURAL           |   |    |    |    |    |    |    |    |    |    |    |    |    |    |    |    |    |    |    |    |
| SALEABLE       | 12672873  | 34566-1903     | 9                 | G                 | BLUE              |   |    |    |    |    |    |    |    |    |    |    |    |    |    |    |    |    |    |    |    |
| SALEABLE       | 12672871  | 34566-2003     | 9                 | H                 | ST GRY            | 80  | 79 | 78 | 77 | 76 | 75 | 74 | 73 | 72 | 71 | 70 | 69 | 68 | 67 | 66 | 65 | 64 | 63 | 62 | 61 |
| TOOL DES. REL. | 12672869  | 34566-2103     | 9                 | J                 | BLACK             | 60  | 61 | 62 | 63 | 64 | 65 | 66 | 67 | 68 | 69 | 70 | 71 | 72 | 73 | 74 | 75 | 76 | 77 | 78 | 79 |
| TOOL DES. REL. | TBD       | 34566-2203     | 9                 | K                 | BROWN             | 40  | 39 | 38 | 37 | 36 | 35 | 34 | 33 | 32 | 31 | 30 | 29 | 28 | 27 | 26 | 25 | 24 | 23 | 22 | 21 |
| TOOL DES. REL. | TBD       | 34566-2303     | 9                 | L                 | GREEN             | 20  | 19 | 18 | 17 | 16 | 15 | 14 | 13 | 12 | 11 | 10 | 9  | 8  | 7  | 6  | 5  | 4  | 3  | 2  | 1  |
| TOOL DES. REL. | TBD       | 34566-2403     | 9                 | M                 | NATURAL           |   |    |    |    |    |    |    |    |    |    |    |    |    |    |    |    |    |    |    |    |
| SALEABLE       | 12672856  | 34822-0013     | 0                 | A                 | BLACK             | 64  | 63 | 62 | 61 | 60 | 59 | 58 | 57 | 56 | 55 | 54 | 53 | 52 | 51 | 50 | 49 | 66 |    |    |    |
|                |           |                |                   |                   |                   | 48  | 47 | 46 | 45 | 44 | 43 | 42 | 41 | 40 | 39 | 38 | 37 | 36 | 35 | 34 | 33 |    |    |    |    |
| SALEABLE       | 12672858  | 34822-0033     | 0                 | C                 | BLUE              | 65  |    |    |    | 32 | 31 | 30 | 29 | 28 | 27 | 26 | 25 | 24 | 23 | 22 | 21 | 20 | 19 | 18 | 17 |
|                |           |                |                   |                   |                   | 65  |    |    |    | 16 | 15 | 14 | 13 | 12 | 11 | 10 | 9  | 8  | 7  | 6  | 5  | 4  | 3  | 2  | 1  |
| SALEABLE       | 12672857  | 34822-0023     | 9                 | A                 | BLACK             | 64  | 63 | 62 | 61 | 60 | 59 | 58 | 57 | 56 | 55 | 54 | 53 | 52 | 51 | 50 | 49 | 66 |    |    |    |
|                |           |                |                   |                   |                   | 48  | 47 | 46 | 45 | 44 | 43 | 42 | 41 | 40 | 39 | 38 | 37 | 36 | 35 | 34 | 33 |    |    |    |    |
| SALEABLE       | 12672859  | 34822-0043     | 9                 | C                 | BLUE              | 65  |    |    |    | 32 | 31 | 30 | 29 | 28 | 27 | 26 | 25 | 24 | 23 | 22 | 21 | 20 | 19 | 18 | 17 |
|                |           |                |                   |                   |                   | 65  |    |    |    | 16 | 15 | 14 | 13 | 12 | 11 | 10 | 9  | 8  | 7  | 6  | 5  | 4  | 3  | 2  | 1  |

MX123 52/66/73/80-WAY RECEPTACLE ASSY SEALED PIN OUT SHEET

| STATUS         | GM PART #      | HRNS CONN ASSY |                   |            | TPA     | GROMMET CAP  |    |    |    |    |    |    |    |    |    |    |    |    |    |    |    |    |    |    |    |    |    |   |   |   |   |   |   |   |  |    |    |    |    |    |    |    |    |    |    |    |    |  |    |    |    |    |    |    |    |    |    |    |    |    |    |   |  |    |    |    |    |    |    |    |    |    |    |    |    |  |
|----------------|----------------|----------------|-------------------|------------|---------|--|----|----|----|----|----|----|----|----|----|----|----|----|----|----|----|----|----|----|----|----|----|---|---|---|---|---|---|---|--|----|----|----|----|----|----|----|----|----|----|----|----|--|----|----|----|----|----|----|----|----|----|----|----|----|----|---|--|----|----|----|----|----|----|----|----|----|----|----|----|--|
|                |                | MATERIAL/PART  | WIRE DRESS OPTION | KEY OPTION | COLOR   | NUMBERS INDICATE CAVITIES OPEN FOR CIRCUITS  |    |    |    |    |    |    |    |    |    |    |    |    |    |    |    |    |    |    |    |    |    |   |   |   |   |   |   |   |  |    |    |    |    |    |    |    |    |    |    |    |    |  |    |    |    |    |    |    |    |    |    |    |    |    |    |   |  |    |    |    |    |    |    |    |    |    |    |    |    |  |
|                |                | NUMBER         |                   | OPTION     | OPTION  |  |    |    |    |    |    |    |    |    |    |    |    |    |    |    |    |    |    |    |    |    |    |   |   |   |   |   |   |   |  |    |    |    |    |    |    |    |    |    |    |    |    |  |    |    |    |    |    |    |    |    |    |    |    |    |    |   |  |    |    |    |    |    |    |    |    |    |    |    |    |  |
| TOOL DES. REL. | 12672852       | 160094-0001    | 0                 | A          | BLACK   | <table border="1"> <tr> <td>52</td> <td>14</td><td>13</td><td>12</td><td>11</td><td>10</td><td>9</td><td>8</td><td>7</td><td>6</td><td>5</td><td>4</td><td>3</td> <td>2</td> </tr> <tr> <td></td> <td>26</td><td>25</td><td>24</td><td>23</td><td>22</td><td>21</td><td>20</td><td>19</td><td>18</td><td>17</td><td>16</td><td>15</td> <td></td> </tr> <tr> <td>51</td> <td>38</td><td>37</td><td>36</td><td>35</td><td>34</td><td>33</td><td>32</td><td>31</td><td>30</td><td>29</td><td>28</td><td>27</td> <td>1</td> </tr> <tr> <td></td> <td>50</td><td>49</td><td>48</td><td>47</td><td>46</td><td>45</td><td>44</td><td>43</td><td>42</td><td>41</td><td>40</td><td>39</td> <td></td> </tr> </table> |    |    |    |    |    |    |    |    |    |    |    |    |    |    | 52 | 14 | 13 | 12 | 11 | 10 | 9  | 8 | 7 | 6 | 5 | 4 | 3 | 2 |  | 26 | 25 | 24 | 23 | 22 | 21 | 20 | 19 | 18 | 17 | 16 | 15 |  | 51 | 38 | 37 | 36 | 35 | 34 | 33 | 32 | 31 | 30 | 29 | 28 | 27 | 1 |  | 50 | 49 | 48 | 47 | 46 | 45 | 44 | 43 | 42 | 41 | 40 | 39 |  |
| 52             | 14             | 13             | 12                | 11         | 10      |  |    |    |    |    |    |    |    |    |    |    |    |    |    |    | 9  | 8  | 7  | 6  | 5  | 4  | 3  | 2 |   |   |   |   |   |   |  |    |    |    |    |    |    |    |    |    |    |    |    |  |    |    |    |    |    |    |    |    |    |    |    |    |    |   |  |    |    |    |    |    |    |    |    |    |    |    |    |  |
|                | 26             | 25             | 24                | 23         | 22      |  |    |    |    |    |    |    |    |    |    |    |    |    |    |    | 21 | 20 | 19 | 18 | 17 | 16 | 15 |   |   |   |   |   |   |   |  |    |    |    |    |    |    |    |    |    |    |    |    |  |    |    |    |    |    |    |    |    |    |    |    |    |    |   |  |    |    |    |    |    |    |    |    |    |    |    |    |  |
| 51             | 38             | 37             | 36                | 35         | 34      |  |    |    |    |    |    |    |    |    |    |    |    |    |    |    | 33 | 32 | 31 | 30 | 29 | 28 | 27 | 1 |   |   |   |   |   |   |  |    |    |    |    |    |    |    |    |    |    |    |    |  |    |    |    |    |    |    |    |    |    |    |    |    |    |   |  |    |    |    |    |    |    |    |    |    |    |    |    |  |
|                | 50             | 49             | 48                | 47         | 46      |  |    |    |    |    |    |    |    |    |    |    |    |    |    |    | 45 | 44 | 43 | 42 | 41 | 40 | 39 |   |   |   |   |   |   |   |  |    |    |    |    |    |    |    |    |    |    |    |    |  |    |    |    |    |    |    |    |    |    |    |    |    |    |   |  |    |    |    |    |    |    |    |    |    |    |    |    |  |
| TOOL DES. REL. | N/A            | 160094-0002    | 0                 | B          | ST GRY  |  |    |    |    |    |    |    |    |    |    |    |    |    |    |    |    |    |    |    |    |    |    |   |   |   |   |   |   |   |  |    |    |    |    |    |    |    |    |    |    |    |    |  |    |    |    |    |    |    |    |    |    |    |    |    |    |   |  |    |    |    |    |    |    |    |    |    |    |    |    |  |
| TOOL DES. REL. | 12672854       | 160094-0003    | 0                 | C          | BLUE    |  |    |    |    |    |    |    |    |    |    |    |    |    |    |    |    |    |    |    |    |    |    |   |   |   |   |   |   |   |  |    |    |    |    |    |    |    |    |    |    |    |    |  |    |    |    |    |    |    |    |    |    |    |    |    |    |   |  |    |    |    |    |    |    |    |    |    |    |    |    |  |
| TOOL DES. REL. | N/A            | 160094-0004    | 0                 | D          | BROWN   |  |    |    |    |    |    |    |    |    |    |    |    |    |    |    |    |    |    |    |    |    |    |   |   |   |   |   |   |   |  |    |    |    |    |    |    |    |    |    |    |    |    |  |    |    |    |    |    |    |    |    |    |    |    |    |    |   |  |    |    |    |    |    |    |    |    |    |    |    |    |  |
| TOOL DES. REL. | N/A            | 160094-0005    | 0                 | E          | GREEN   |  |    |    |    |    |    |    |    |    |    |    |    |    |    |    |    |    |    |    |    |    |    |   |   |   |   |   |   |   |  |    |    |    |    |    |    |    |    |    |    |    |    |  |    |    |    |    |    |    |    |    |    |    |    |    |    |   |  |    |    |    |    |    |    |    |    |    |    |    |    |  |
| TOOL DES. REL. | N/A            | 160094-0006    | 0                 | F          | NATURAL |  |    |    |    |    |    |    |    |    |    |    |    |    |    |    |    |    |    |    |    |    |    |   |   |   |   |   |   |   |  |    |    |    |    |    |    |    |    |    |    |    |    |  |    |    |    |    |    |    |    |    |    |    |    |    |    |   |  |    |    |    |    |    |    |    |    |    |    |    |    |  |
| TOOL DES. REL. | 12672853       | 160094-0013    | 9                 | A          | BLACK   | <table border="1"> <tr> <td>52</td> <td>14</td><td>13</td><td>12</td><td>11</td><td>10</td><td>9</td><td>8</td><td>7</td><td>6</td><td>5</td><td>4</td><td>3</td> <td>2</td> </tr> <tr> <td></td> <td>26</td><td>25</td><td>24</td><td>23</td><td>22</td><td>21</td><td>20</td><td>19</td><td>18</td><td>17</td><td>16</td><td>15</td> <td></td> </tr> <tr> <td>51</td> <td>38</td><td>37</td><td>36</td><td>35</td><td>34</td><td>33</td><td>32</td><td>31</td><td>30</td><td>29</td><td>28</td><td>27</td> <td>1</td> </tr> <tr> <td></td> <td>50</td><td>49</td><td>48</td><td>47</td><td>46</td><td>45</td><td>44</td><td>43</td><td>42</td><td>41</td><td>40</td><td>39</td> <td></td> </tr> </table> |    |    |    |    |    |    |    |    |    |    |    |    |    |    | 52 | 14 | 13 | 12 | 11 | 10 | 9  | 8 | 7 | 6 | 5 | 4 | 3 | 2 |  | 26 | 25 | 24 | 23 | 22 | 21 | 20 | 19 | 18 | 17 | 16 | 15 |  | 51 | 38 | 37 | 36 | 35 | 34 | 33 | 32 | 31 | 30 | 29 | 28 | 27 | 1 |  | 50 | 49 | 48 | 47 | 46 | 45 | 44 | 43 | 42 | 41 | 40 | 39 |  |
| 52             | 14             | 13             | 12                | 11         | 10      |  |    |    |    |    |    |    |    |    |    |    |    |    |    |    | 9  | 8  | 7  | 6  | 5  | 4  | 3  | 2 |   |   |   |   |   |   |  |    |    |    |    |    |    |    |    |    |    |    |    |  |    |    |    |    |    |    |    |    |    |    |    |    |    |   |  |    |    |    |    |    |    |    |    |    |    |    |    |  |
|                | 26             | 25             | 24                | 23         | 22      |  |    |    |    |    |    |    |    |    |    |    |    |    |    |    | 21 | 20 | 19 | 18 | 17 | 16 | 15 |   |   |   |   |   |   |   |  |    |    |    |    |    |    |    |    |    |    |    |    |  |    |    |    |    |    |    |    |    |    |    |    |    |    |   |  |    |    |    |    |    |    |    |    |    |    |    |    |  |
| 51             | 38             | 37             | 36                | 35         | 34      |  |    |    |    |    |    |    |    |    |    |    |    |    |    |    | 33 | 32 | 31 | 30 | 29 | 28 | 27 | 1 |   |   |   |   |   |   |  |    |    |    |    |    |    |    |    |    |    |    |    |  |    |    |    |    |    |    |    |    |    |    |    |    |    |   |  |    |    |    |    |    |    |    |    |    |    |    |    |  |
|                | 50             | 49             | 48                | 47         | 46      |  |    |    |    |    |    |    |    |    |    |    |    |    |    |    | 45 | 44 | 43 | 42 | 41 | 40 | 39 |   |   |   |   |   |   |   |  |    |    |    |    |    |    |    |    |    |    |    |    |  |    |    |    |    |    |    |    |    |    |    |    |    |    |   |  |    |    |    |    |    |    |    |    |    |    |    |    |  |
| TOOL DES. REL. | N/A            | 160094-0014    | 9                 | B          | ST GRY  |  |    |    |    |    |    |    |    |    |    |    |    |    |    |    |    |    |    |    |    |    |    |   |   |   |   |   |   |   |  |    |    |    |    |    |    |    |    |    |    |    |    |  |    |    |    |    |    |    |    |    |    |    |    |    |    |   |  |    |    |    |    |    |    |    |    |    |    |    |    |  |
| TOOL DES. REL. | 12672855       | 160094-0015    | 9                 | C          | BLUE    |  |    |    |    |    |    |    |    |    |    |    |    |    |    |    |    |    |    |    |    |    |    |   |   |   |   |   |   |   |  |    |    |    |    |    |    |    |    |    |    |    |    |  |    |    |    |    |    |    |    |    |    |    |    |    |    |   |  |    |    |    |    |    |    |    |    |    |    |    |    |  |
| TOOL DES. REL. | N/A            | 160094-0016    | 9                 | D          | BROWN   |  |    |    |    |    |    |    |    |    |    |    |    |    |    |    |    |    |    |    |    |    |    |   |   |   |   |   |   |   |  |    |    |    |    |    |    |    |    |    |    |    |    |  |    |    |    |    |    |    |    |    |    |    |    |    |    |   |  |    |    |    |    |    |    |    |    |    |    |    |    |  |
| TOOL DES. REL. | N/A            | 160094-0017    | 9                 | E          | GREEN   |  |    |    |    |    |    |    |    |    |    |    |    |    |    |    |    |    |    |    |    |    |    |   |   |   |   |   |   |   |  |    |    |    |    |    |    |    |    |    |    |    |    |  |    |    |    |    |    |    |    |    |    |    |    |    |    |   |  |    |    |    |    |    |    |    |    |    |    |    |    |  |
| TOOL DES. REL. | N/A            | 160094-0018    | 9                 | F          | NATURAL |  |    |    |    |    |    |    |    |    |    |    |    |    |    |    |    |    |    |    |    |    |    |   |   |   |   |   |   |   |  |    |    |    |    |    |    |    |    |    |    |    |    |  |    |    |    |    |    |    |    |    |    |    |    |    |    |   |  |    |    |    |    |    |    |    |    |    |    |    |    |  |
| NA             | NA             | NA             | NA                | NA         | NA      | <table border="1"> <tr> <td colspan="15">73</td> </tr> </table>  |    |    |    |    |    |    |    |    |    |    |    |    |    |    | 73 |    |    |    |    |    |    |   |   |   |   |   |   |   |  |    |    |    |    |    |    |    |    |    |    |    |    |  |    |    |    |    |    |    |    |    |    |    |    |    |    |   |  |    |    |    |    |    |    |    |    |    |    |    |    |  |
| 73             |                |                |                   |            |         |  |    |    |    |    |    |    |    |    |    |    |    |    |    |    |    |    |    |    |    |    |    |   |   |   |   |   |   |   |  |    |    |    |    |    |    |    |    |    |    |    |    |  |    |    |    |    |    |    |    |    |    |    |    |    |    |   |  |    |    |    |    |    |    |    |    |    |    |    |    |  |
| SALEABLE       | NOT APPLICABLE | 34566-2503     | 0                 | A          | BLACK   | 72   | 71 |    | 69 | 68 | 67 | 66 |    | 64 | 63 | 62 |    | 59 |    |    | 56 |    |    | 53 |    |    |    |   |   |   |   |   |   |   |  |    |    |    |    |    |    |    |    |    |    |    |    |  |    |    |    |    |    |    |    |    |    |    |    |    |    |   |  |    |    |    |    |    |    |    |    |    |    |    |    |  |
|                |                |                |                   |            |         |  |    | 50 |    | 48 |    | 46 |    | 44 | 43 | 42 |    | 39 |    | 36 | 35 |    | 33 |    |    |    |    |   |   |   |   |   |   |   |  |    |    |    |    |    |    |    |    |    |    |    |    |  |    |    |    |    |    |    |    |    |    |    |    |    |    |   |  |    |    |    |    |    |    |    |    |    |    |    |    |  |
|                |                |                |                   |            |         | 73   |    |    |    |    |    |    |    |    |    |    |    |    |    |    |    |    |    |    |    |    |    |   |   |   |   |   |   |   |  |    |    |    |    |    |    |    |    |    |    |    |    |  |    |    |    |    |    |    |    |    |    |    |    |    |    |   |  |    |    |    |    |    |    |    |    |    |    |    |    |  |
|                |                |                |                   |            |         |  |    |    |    | 32 |    | 30 | 29 |    | 27 |    |    | 23 |    | 20 |    |    | 17 |    |    |    |    |   |   |   |   |   |   |   |  |    |    |    |    |    |    |    |    |    |    |    |    |  |    |    |    |    |    |    |    |    |    |    |    |    |    |   |  |    |    |    |    |    |    |    |    |    |    |    |    |  |
|                |                |                |                   |            |         |  |    |    |    |    | 14 | 13 | 12 | 11 |    | 9  | 8  |    | 5  | 4  | 3  | 2  | 1  |    |    |    |    |   |   |   |   |   |   |   |  |    |    |    |    |    |    |    |    |    |    |    |    |  |    |    |    |    |    |    |    |    |    |    |    |    |    |   |  |    |    |    |    |    |    |    |    |    |    |    |    |  |
| SALEABLE       | NOT APPLICABLE | 34566-2603     | 0                 | B          | ST GRY  |  |    |    | 49 | 48 | 47 |    | 66 | 65 |    |    |    | 59 |    | 57 |    | 55 | 53 |    |    |    |    |   |   |   |   |   |   |   |  |    |    |    |    |    |    |    |    |    |    |    |    |  |    |    |    |    |    |    |    |    |    |    |    |    |    |   |  |    |    |    |    |    |    |    |    |    |    |    |    |  |
|                |                |                |                   |            |         |  |    |    |    |    |    |    |    |    |    |    |    | 39 |    | 37 |    | 35 | 33 |    |    |    |    |   |   |   |   |   |   |   |  |    |    |    |    |    |    |    |    |    |    |    |    |  |    |    |    |    |    |    |    |    |    |    |    |    |    |   |  |    |    |    |    |    |    |    |    |    |    |    |    |  |
|                |                |                |                   |            |         | 73   |    |    |    |    |    |    |    |    |    |    |    |    |    |    |    |    |    |    |    |    |    |   |   |   |   |   |   |   |  |    |    |    |    |    |    |    |    |    |    |    |    |  |    |    |    |    |    |    |    |    |    |    |    |    |    |   |  |    |    |    |    |    |    |    |    |    |    |    |    |  |
|                |                |                |                   |            |         |  |    |    |    |    |    | 29 | 28 |    |    |    |    | 23 |    | 21 |    |    |    |    |    |    |    |   |   |   |   |   |   |   |  |    |    |    |    |    |    |    |    |    |    |    |    |  |    |    |    |    |    |    |    |    |    |    |    |    |    |   |  |    |    |    |    |    |    |    |    |    |    |    |    |  |
|                |                |                |                   |            |         |  |    |    |    |    |    |    |    |    |    |    |    | 7  |    |    |    |    |    |    |    |    |    |   |   |   |   |   |   |   |  |    |    |    |    |    |    |    |    |    |    |    |    |  |    |    |    |    |    |    |    |    |    |    |    |    |    |   |  |    |    |    |    |    |    |    |    |    |    |    |    |  |
| SALEABLE       | NOT APPLICABLE | 34566-2703     | 0                 | B          | ST GRY  |  |    |    | 49 | 48 | 47 |    | 65 |    |    |    |    | 59 |    | 57 |    | 55 | 53 |    |    |    |    |   |   |   |   |   |   |   |  |    |    |    |    |    |    |    |    |    |    |    |    |  |    |    |    |    |    |    |    |    |    |    |    |    |    |   |  |    |    |    |    |    |    |    |    |    |    |    |    |  |
|                |                |                |                   |            |         |  |    |    |    |    |    |    |    |    |    |    |    | 39 |    | 37 |    | 35 | 33 |    |    |    |    |   |   |   |   |   |   |   |  |    |    |    |    |    |    |    |    |    |    |    |    |  |    |    |    |    |    |    |    |    |    |    |    |    |    |   |  |    |    |    |    |    |    |    |    |    |    |    |    |  |
|                |                |                |                   |            |         | 73   |    |    |    |    |    |    |    |    |    |    |    |    |    |    |    |    |    |    |    |    |    |   |   |   |   |   |   |   |  |    |    |    |    |    |    |    |    |    |    |    |    |  |    |    |    |    |    |    |    |    |    |    |    |    |    |   |  |    |    |    |    |    |    |    |    |    |    |    |    |  |
|                |                |                |                   |            |         |  |    |    |    |    |    | 29 | 28 |    |    |    |    | 23 |    | 21 |    |    |    |    |    |    |    |   |   |   |   |   |   |   |  |    |    |    |    |    |    |    |    |    |    |    |    |  |    |    |    |    |    |    |    |    |    |    |    |    |    |   |  |    |    |    |    |    |    |    |    |    |    |    |    |  |
|                |                |                |                   |            |         |  |    |    |    |    |    |    |    |    |    |    |    | 7  |    |    |    |    |    |    |    |    |    |   |   |   |   |   |   |   |  |    |    |    |    |    |    |    |    |    |    |    |    |  |    |    |    |    |    |    |    |    |    |    |    |    |    |   |  |    |    |    |    |    |    |    |    |    |    |    |    |  |
| SALEABLE       | TBD            | 34566-2803     | 0                 | H          | ST GRY  |  |    |    |    |    |    |    |    |    |    |    |    |    |    |    |    |    |    |    |    |    |    |   |   |   |   |   |   |   |  |    |    |    |    |    |    |    |    |    |    |    |    |  |    |    |    |    |    |    |    |    |    |    |    |    |    |   |  |    |    |    |    |    |    |    |    |    |    |    |    |  |
| SALEABLE       | NOT APPLICABLE | 34566-2903     | 0                 | A          | BLACK   | 72   | 71 | 70 | 69 | 68 | 67 | 66 |    | 64 | 63 | 62 | 61 |    | 59 |    |    | 55 | 54 | 53 |    |    |    |   |   |   |   |   |   |   |  |    |    |    |    |    |    |    |    |    |    |    |    |  |    |    |    |    |    |    |    |    |    |    |    |    |    |   |  |    |    |    |    |    |    |    |    |    |    |    |    |  |
|                |                |                |                   |            |         | 52   | 51 |    | 49 | 48 |    |    |    | 44 | 43 | 42 | 41 |    | 39 |    |    | 35 | 34 | 33 |    |    |    |   |   |   |   |   |   |   |  |    |    |    |    |    |    |    |    |    |    |    |    |  |    |    |    |    |    |    |    |    |    |    |    |    |    |   |  |    |    |    |    |    |    |    |    |    |    |    |    |  |
|                |                |                |                   |            |         | 73   |    |    |    |    |    |    |    |    |    |    |    |    |    |    |    |    |    |    |    |    |    |   |   |   |   |   |   |   |  |    |    |    |    |    |    |    |    |    |    |    |    |  |    |    |    |    |    |    |    |    |    |    |    |    |    |   |  |    |    |    |    |    |    |    |    |    |    |    |    |  |
|                |                |                |                   |            |         |  |    |    |    | 32 | 31 |    | 29 |    | 27 |    | 25 |    | 23 |    |    | 19 | 18 | 17 |    |    |    |   |   |   |   |   |   |   |  |    |    |    |    |    |    |    |    |    |    |    |    |  |    |    |    |    |    |    |    |    |    |    |    |    |    |   |  |    |    |    |    |    |    |    |    |    |    |    |    |  |
|                |                |                |                   |            |         |  |    |    |    | 16 |    |    | 13 | 12 | 11 |    | 9  | 8  | 7  | 6  | 5  | 4  | 3  | 2  | 1  |    |    |   |   |   |   |   |   |   |  |    |    |    |    |    |    |    |    |    |    |    |    |  |    |    |    |    |    |    |    |    |    |    |    |    |    |   |  |    |    |    |    |    |    |    |    |    |    |    |    |  |
| SALEABLE       | NOT APPLICABLE | 34566-3003     | 0                 | A          | BLACK   | 72   | 71 | 70 | 69 | 68 | 67 | 66 |    | 64 | 63 | 62 |    | 60 | 59 | 58 | 57 | 56 | 55 | 54 | 53 |    |    |   |   |   |   |   |   |   |  |    |    |    |    |    |    |    |    |    |    |    |    |  |    |    |    |    |    |    |    |    |    |    |    |    |    |   |  |    |    |    |    |    |    |    |    |    |    |    |    |  |
|                |                |                |                   |            |         | 52   | 51 | 50 | 49 | 48 | 47 | 46 |    | 44 | 43 | 42 | 41 | 40 | 39 | 38 | 37 | 36 | 35 | 34 | 33 |    |    |   |   |   |   |   |   |   |  |    |    |    |    |    |    |    |    |    |    |    |    |  |    |    |    |    |    |    |    |    |    |    |    |    |    |   |  |    |    |    |    |    |    |    |    |    |    |    |    |  |
|                |                |                |                   |            |         | 73   |    |    |    |    |    |    |    |    |    |    |    |    |    |    |    |    |    |    |    |    |    |   |   |   |   |   |   |   |  |    |    |    |    |    |    |    |    |    |    |    |    |  |    |    |    |    |    |    |    |    |    |    |    |    |    |   |  |    |    |    |    |    |    |    |    |    |    |    |    |  |
|                |                |                |                   |            |         |  |    |    |    | 32 | 31 | 30 | 29 | 28 | 27 |    | 25 | 24 | 23 | 22 | 21 | 20 | 19 | 18 | 17 |    |    |   |   |   |   |   |   |   |  |    |    |    |    |    |    |    |    |    |    |    |    |  |    |    |    |    |    |    |    |    |    |    |    |    |    |   |  |    |    |    |    |    |    |    |    |    |    |    |    |  |
|                |                |                |                   |            |         |  |    |    |    | 16 | 15 | 14 | 13 | 12 | 11 |    | 9  | 8  | 7  | 6  | 5  | 4  | 3  | 2  | 1  |    |    |   |   |   |   |   |   |   |  |    |    |    |    |    |    |    |    |    |    |    |    |  |    |    |    |    |    |    |    |    |    |    |    |    |    |   |  |    |    |    |    |    |    |    |    |    |    |    |    |  |
| SALEABLE       | NOT APPLICABLE | 34566-3103     | 0                 | B          | ST GRY  |  |    |    | 49 | 48 |    | 46 |    |    |    | 62 |    | 59 |    | 57 |    | 55 | 53 |    |    |    |    |   |   |   |   |   |   |   |  |    |    |    |    |    |    |    |    |    |    |    |    |  |    |    |    |    |    |    |    |    |    |    |    |    |    |   |  |    |    |    |    |    |    |    |    |    |    |    |    |  |
|                |                |                |                   |            |         |  |    |    |    |    |    |    |    |    | 42 |    | 39 |    | 37 |    | 35 |    | 33 |    |    |    |    |   |   |   |   |   |   |   |  |    |    |    |    |    |    |    |    |    |    |    |    |  |    |    |    |    |    |    |    |    |    |    |    |    |    |   |  |    |    |    |    |    |    |    |    |    |    |    |    |  |
|                |                |                |                   |            |         | 73   |    |    |    |    |    |    |    |    |    |    |    |    |    |    |    |    |    |    |    |    |    |   |   |   |   |   |   |   |  |    |    |    |    |    |    |    |    |    |    |    |    |  |    |    |    |    |    |    |    |    |    |    |    |    |    |   |  |    |    |    |    |    |    |    |    |    |    |    |    |  |
|                |                |                |                   |            |         |  |    |    |    |    |    | 29 |    |    | 26 |    |    | 23 |    | 21 |    |    | 18 |    |    |    |    |   |   |   |   |   |   |   |  |    |    |    |    |    |    |    |    |    |    |    |    |  |    |    |    |    |    |    |    |    |    |    |    |    |    |   |  |    |    |    |    |    |    |    |    |    |    |    |    |  |
|                |                |                |                   |            |         |  |    |    |    |    | 15 |    |    |    |    | 9  | 8  | 7  |    |    | 4  | 3  |    |    |    |    |    |   |   |   |   |   |   |   |  |    |    |    |    |    |    |    |    |    |    |    |    |  |    |    |    |    |    |    |    |    |    |    |    |    |    |   |  |    |    |    |    |    |    |    |    |    |    |    |    |  |
| SALEABLE       | NOT APPLICABLE | 34566-3203     | 0                 | B          | ST GRY  |  |    | 50 | 49 | 48 |    | 46 |    |    |    |    | 60 | 59 | 58 | 57 | 56 | 55 |    | 53 |    |    |    |   |   |   |   |   |   |   |  |    |    |    |    |    |    |    |    |    |    |    |    |  |    |    |    |    |    |    |    |    |    |    |    |    |    |   |  |    |    |    |    |    |    |    |    |    |    |    |    |  |
|                |                |                |                   |            |         |  |    |    |    |    |    |    |    |    |    |    |    | 39 | 38 | 37 |    | 35 | 34 | 33 |    |    |    |   |   |   |   |   |   |   |  |    |    |    |    |    |    |    |    |    |    |    |    |  |    |    |    |    |    |    |    |    |    |    |    |    |    |   |  |    |    |    |    |    |    |    |    |    |    |    |    |  |
|                |                |                |                   |            |         | 73   |    |    |    |    |    |    |    |    |    |    |    |    |    |    |    |    |    |    |    |    |    |   |   |   |   |   |   |   |  |    |    |    |    |    |    |    |    |    |    |    |    |  |    |    |    |    |    |    |    |    |    |    |    |    |    |   |  |    |    |    |    |    |    |    |    |    |    |    |    |  |
|                |                |                |                   |            |         |  |    |    |    | 16 | 15 | 14 |    | 29 |    |    |    | 23 | 22 | 21 |    |    | 18 |    |    |    |    |   |   |   |   |   |   |   |  |    |    |    |    |    |    |    |    |    |    |    |    |  |    |    |    |    |    |    |    |    |    |    |    |    |    |   |  |    |    |    |    |    |    |    |    |    |    |    |    |  |
|                |                |                |                   |            |         |  |    |    |    |    |    |    |    |    |    |    |    | 7  | 6  | 5  | 4  | 3  |    |    |    |    |    |   |   |   |   |   |   |   |  |    |    |    |    |    |    |    |    |    |    |    |    |  |    |    |    |    |    |    |    |    |    |    |    |    |    |   |  |    |    |    |    |    |    |    |    |    |    |    |    |  |
| SALEABLE       | NOT APPLICABLE | 34566-3303     | 0                 | B          | ST GRY  |  |    | 50 | 49 | 48 |    | 46 |    |    |    |    |    | 59 | 58 | 57 | 56 | 55 |    | 53 |    |    |    |   |   |   |   |   |   |   |  |    |    |    |    |    |    |    |    |    |    |    |    |  |    |    |    |    |    |    |    |    |    |    |    |    |    |   |  |    |    |    |    |    |    |    |    |    |    |    |    |  |
|                |                |                |                   |            |         |  |    |    |    |    |    |    |    |    |    |    |    | 39 | 38 | 37 |    | 35 | 34 | 33 |    |    |    |   |   |   |   |   |   |   |  |    |    |    |    |    |    |    |    |    |    |    |    |  |    |    |    |    |    |    |    |    |    |    |    |    |    |   |  |    |    |    |    |    |    |    |    |    |    |    |    |  |
|                |                |                |                   |            |         | 73   |    |    |    |    |    |    |    |    |    |    |    |    |    |    |    |    |    |    |    |    |    |   |   |   |   |   |   |   |  |    |    |    |    |    |    |    |    |    |    |    |    |  |    |    |    |    |    |    |    |    |    |    |    |    |    |   |  |    |    |    |    |    |    |    |    |    |    |    |    |  |
|                |                |                |                   |            |         |  |    |    |    |    |    | 29 |    |    |    |    |    | 23 | 22 | 21 |    |    | 18 |    |    |    |    |   |   |   |   |   |   |   |  |    |    |    |    |    |    |    |    |    |    |    |    |  |    |    |    |    |    |    |    |    |    |    |    |    |    |   |  |    |    |    |    |    |    |    |    |    |    |    |    |  |
|                |                |                |                   |            |         |  |    |    |    |    |    |    |    |    |    |    |    | 7  | 6  | 5  | 4  | 3  |    |    |    |    |    |   |   |   |   |   |   |   |  |    |    |    |    |    |    |    |    |    |    |    |    |  |    |    |    |    |    |    |    |    |    |    |    |    |    |   |  |    |    |    |    |    |    |    |    |    |    |    |    |  |
| SALEABLE       | NOT APPLICABLE | 34566-3403     |                   |            |         | SEE 34566-3003   |    |    |    |    |    |    |    |    |    |    |    |    |    |    |    |    |    |    |    |    |    |   |   |   |   |   |   |   |  |    |    |    |    |    |    |    |    |    |    |    |    |  |    |    |    |    |    |    |    |    |    |    |    |    |    |   |  |    |    |    |    |    |    |    |    |    |    |    |    |  |
| SALEABLE       | NOT APPLICABLE | 34566-3503     | 0                 | A          | BLACK   | 72   | 71 |    | 69 | 68 | 67 | 66 |    | 64 | 63 | 62 |    | 60 | 59 |    |    |    |    |    |    |    |    |   |   |   |   |   |   |   |  |    |    |    |    |    |    |    |    |    |    |    |    |  |    |    |    |    |    |    |    |    |    |    |    |    |    |   |  |    |    |    |    |    |    |    |    |    |    |    |    |  |
|                |                |                |                   |            |         | 52   |    |    | 49 | 48 |    | 46 |    | 44 | 43 | 42 |    | 40 | 39 |    |    |    | 35 | 33 |    |    |    |   |   |   |   |   |   |   |  |    |    |    |    |    |    |    |    |    |    |    |    |  |    |    |    |    |    |    |    |    |    |    |    |    |    |   |  |    |    |    |    |    |    |    |    |    |    |    |    |  |
|                |                |                |                   |            |         | 73   |    |    |    |    |    |    |    |    |    |    |    |    |    |    |    |    |    |    |    |    |    |   |   |   |   |   |   |   |  |    |    |    |    |    |    |    |    |    |    |    |    |  |    |    |    |    |    |    |    |    |    |    |    |    |    |   |  |    |    |    |    |    |    |    |    |    |    |    |    |  |
|                |                |                |                   |            |         |  |    |    |    | 32 |    |    | 29 |    | 27 |    |    | 24 | 23 |    |    |    |    | 17 |    |    |    |   |   |   |   |   |   |   |  |    |    |    |    |    |    |    |    |    |    |    |    |  |    |    |    |    |    |    |    |    |    |    |    |    |    |   |  |    |    |    |    |    |    |    |    |    |    |    |    |  |
|                |                |                |                   |            |         |  |    |    |    |    |    | 14 | 13 | 12 | 11 |    | 9  | 8  | 7  | 6  | 5  | 4  | 3  | 2  | 1  |    |    |   |   |   |   |   |   |   |  |    |    |    |    |    |    |    |    |    |    |    |    |  |    |    |    |    |    |    |    |    |    |    |    |    |    |   |  |    |    |    |    |    |    |    |    |    |    |    |    |  |







MX123 52/66/73/80-WAY RECEPTACLE ASSY SEALED PIN OUT SHEET

| STATUS   | GM PART #      | HRNS CONN ASSY |                   |                  | TPA                | GROMMET CAP                                 |    |    |    |    |    |    |    |    |    |    |    |    |    |    |    |    |    |    |    |    |    |    |    |    |
|----------|----------------|----------------|-------------------|------------------|--------------------|---|----|----|----|----|----|----|----|----|----|----|----|----|----|----|----|----|----|----|----|----|----|----|----|----|
|          |                | MATERIAL/PART  | WIRE DRESS OPTION | KEY OPTION<br>Fp | COLOR OPTION<br>Fp | NUMBERS INDICATE CAVITIES OPEN FOR CIRCUITS |    |    |    |    |    |    |    |    |    |    |    |    |    |    |    |    |    |    |    |    |    |    |    |    |
|          |                | NUMBER         |                   |                  |                    | Fp  |    |    |    |    |    |    |    |    |    |    |    |    |    |    |    |    |    |    |    |    |    |    |    |    |
| SALEABLE | NOT APPLICABLE | 34566-8103     | 0                 | H                | ST GRY             |   |    | 78 |    |    |    |    |    |    | 72 | 71 | 70 | 69 | 68 |    | 66 | 65 | 64 | 63 |    | 61 |    |    |    |    |
|          |                |                |                   |                  |                    | 60  | 59 | 58 | 57 | 56 |    |    | 53 | 52 |    | 50 |    |    |    |    |    |    |    |    |    | 44 | 43 |    | 41 |    |
|          |                |                |                   |                  |                    | 40  |    |    | 37 |    | 35 | 34 | 33 | 32 |    | 30 | 29 |    |    |    |    |    | 27 | 26 |    |    | 24 |    | 22 | 21 |
|          |                |                |                   |                  |                    | 20  | 19 | 18 | 17 | 16 |    |    |    | 13 | 12 |    |    |    |    |    |    |    | 8  |    | 6  | 5  |    |    | 3  | 2  |
| SALEABLE | NOT APPLICABLE | 34566-8203     | 0                 | A                | BLACK              |   |    | 70 |    |    | 67 | 66 |    |    |    |    |    |    |    | 58 |    |    | 56 | 55 | 54 |    |    |    |    |    |
|          |                |                |                   |                  |                    |   |    |    |    | 47 |    |    | 44 | 43 | 42 | 41 |    | 39 |    |    |    |    | 37 | 36 |    |    | 34 |    |    |    |
|          |                |                |                   |                  |                    | 73  |    |    |    |    | 31 | 30 |    |    | 27 |    | 25 | 24 |    |    |    |    |    | 21 | 20 | 19 | 18 |    |    |    |
|          |                |                |                   |                  |                    |   |    |    |    |    |    |    | 13 |    |    |    |    |    |    |    |    |    |    | 6  | 5  | 4  | 3  |    | 1  |    |
| SALEABLE | NOT APPLICABLE | 34566-8303     | 0                 | A                | BLACK              | 72  | 71 |    | 69 | 68 | 67 | 66 |    | 64 | 63 | 62 |    |    |    | 59 | 58 | 57 | 56 |    | 54 | 53 |    |    |    |    |
|          |                |                |                   |                  |                    | 52  | 51 | 50 | 49 | 48 | 47 | 46 |    | 44 | 43 | 42 |    |    |    |    | 39 | 38 | 37 | 36 | 35 | 34 | 33 |    |    |    |
|          |                |                |                   |                  |                    | 73  |    |    |    |    | 32 | 31 | 30 | 29 |    | 27 |    |    | 24 | 23 | 22 | 21 | 20 | 19 |    |    | 17 |    |    |    |
|          |                |                |                   |                  |                    |   |    |    |    |    | 15 | 14 | 13 | 12 | 11 |    |    | 9  | 8  | 7  | 6  | 5  | 4  | 3  | 2  | 1  |    |    |    |    |
| SALEABLE | NOT APPLICABLE | 34566-8403     | 0                 | B                | ST GRY             |   |    | 50 | 49 | 48 |    | 46 |    |    |    |    |    |    | 59 |    | 57 |    | 55 |    | 53 |    |    |    |    |    |
|          |                |                |                   |                  |                    |   |    |    |    | 32 |    |    | 29 |    |    |    |    | 24 | 23 |    | 21 |    |    |    | 35 |    | 33 |    |    |    |
|          |                |                |                   |                  |                    | 73  |    |    |    |    |    |    |    |    |    |    |    |    |    |    |    |    | 7  | 6  | 5  | 4  | 3  |    |    |    |
|          |                |                |                   |                  |                    |   |    |    |    |    |    |    |    |    |    |    |    |    |    |    |    |    |    |    |    |    |    |    |    |    |
| SALEABLE | NOT APPLICABLE | 34566-8503     | 0                 | B                | ST GRY             | 72  | 71 | 70 | 69 | 68 | 67 | 66 | 65 | 64 | 63 | 62 |    |    | 60 | 59 |    |    |    |    | 55 | 54 | 53 |    |    |    |
|          |                |                |                   |                  |                    | 52  |    |    | 49 | 48 |    |    |    | 44 | 43 | 42 |    |    |    |    | 39 |    |    |    |    | 35 | 34 | 33 |    |    |
|          |                |                |                   |                  |                    | 73  |    |    |    |    | 32 |    |    | 29 |    | 27 |    |    | 24 | 23 |    |    |    |    |    |    | 19 | 18 | 17 |    |
|          |                |                |                   |                  |                    |   |    |    |    |    |    |    | 13 | 12 | 11 |    |    | 9  | 8  | 7  | 6  | 5  | 4  | 3  | 2  | 1  |    |    |    |    |
| SALEABLE | NOT APPLICABLE | 34566-8603     | 0                 | A                | BLACK              |   |    |    | 69 | 68 |    | 66 |    | 64 |    |    |    |    | 59 |    | 57 |    | 55 |    | 53 |    |    |    |    |    |
|          |                |                |                   |                  |                    |   |    |    | 49 | 48 |    | 46 |    | 44 |    |    |    |    | 39 | 38 | 37 |    | 35 |    |    |    | 33 |    |    |    |
|          |                |                |                   |                  |                    | 73  |    |    |    |    |    |    | 29 | 28 |    |    |    |    | 23 |    | 21 |    |    |    |    |    | 18 | 17 |    |    |
|          |                |                |                   |                  |                    |   |    |    |    |    |    |    |    | 12 | 11 | 10 |    |    |    | 7  |    |    |    |    |    |    |    |    |    |    |
| SALEABLE | NOT APPLICABLE | 34566-8703     | 0                 | B                | ST GRY             |   |    |    | 69 | 68 |    | 66 |    | 64 |    |    |    |    | 59 |    | 57 |    | 55 |    | 53 |    |    |    |    |    |
|          |                |                |                   |                  |                    |   |    | 50 | 49 | 48 | 47 |    |    | 44 |    |    |    |    | 39 |    | 37 |    | 35 |    |    |    | 33 |    |    |    |
|          |                |                |                   |                  |                    | 73  |    |    |    |    |    |    | 29 | 28 |    |    |    |    | 23 |    | 21 |    |    |    |    |    | 17 |    |    |    |
|          |                |                |                   |                  |                    |   |    |    |    |    |    |    | 15 |    |    | 12 | 11 | 10 |    |    | 7  | 6  | 5  | 4  | 3  |    |    |    |    |    |
| SALEABLE | NOT APPLICABLE | 34566-8803     | 0                 | B                | ST GRY             |   |    |    |    | 68 | 67 | 66 | 65 |    |    |    |    | 59 | 58 | 57 |    |    |    | 54 | 53 |    |    |    |    |    |
|          |                |                |                   |                  |                    |   | 51 | 50 | 49 | 48 |    | 46 | 45 |    | 43 | 42 |    | 40 | 39 | 38 | 37 |    |    |    |    |    | 33 |    |    |    |
|          |                |                |                   |                  |                    | 73  |    |    |    |    | 32 | 31 | 30 |    |    | 26 |    | 24 | 23 | 22 |    | 20 |    |    |    |    |    |    |    |    |
|          |                |                |                   |                  |                    |   |    |    |    |    | 16 |    |    | 13 |    |    | 10 | 9  | 8  | 7  | 6  | 5  | 4  |    |    |    |    |    |    |    |
| SALEABLE | NOT APPLICABLE | 34566-8903     | 0                 | H                | ST GRY             |   |    | 78 |    |    |    |    |    |    | 71 | 70 | 69 | 68 | 67 | 66 | 65 | 64 | 63 |    | 61 |    |    |    |    |    |
|          |                |                |                   |                  |                    |   |    | 58 | 57 | 56 |    |    | 53 | 52 |    | 51 | 50 |    |    |    |    |    |    |    | 44 | 43 |    | 41 |    |    |
|          |                |                |                   |                  |                    | 40  |    |    | 37 |    | 35 | 34 | 33 | 32 |    | 30 | 29 |    |    |    |    | 27 | 26 |    |    |    |    | 22 | 21 |    |
|          |                |                |                   |                  |                    | 20  | 19 | 18 | 17 | 16 |    | 14 |    | 12 |    | 10 | 9  | 8  | 7  | 6  | 5  |    |    |    |    | 3  | 2  | 1  |    |    |
| SALEABLE | NOT APPLICABLE | 34566-9003     | 0                 | B                | ST GRY             |   |    |    | 69 | 68 |    | 66 |    | 64 |    |    |    |    | 59 |    | 57 |    | 55 |    | 53 |    |    |    |    |    |
|          |                |                |                   |                  |                    |   |    |    | 49 | 48 |    | 46 |    | 44 |    |    |    |    | 39 |    | 37 |    | 35 |    |    |    | 33 |    |    |    |
|          |                |                |                   |                  |                    | 73  |    |    |    |    |    |    | 29 | 28 |    |    |    |    | 23 |    | 21 |    |    |    |    |    | 18 |    |    |    |
|          |                |                |                   |                  |                    |   |    |    |    |    |    |    |    |    |    | 11 | 10 |    |    |    |    |    |    |    |    |    |    |    |    |    |
| SALEABLE | NOT APPLICABLE | 34566-9103     | 0                 | A                | BLACK              |   |    |    |    | 68 |    |    | 65 |    | 63 |    | 61 |    | 59 | 58 |    |    | 56 |    | 53 |    |    |    |    |    |
|          |                |                |                   |                  |                    | 52  | 51 | 50 |    |    | 47 |    |    |    |    |    | 41 |    |    | 38 | 37 | 36 | 35 | 34 | 33 |    |    |    |    |    |
|          |                |                |                   |                  |                    | 73  |    |    |    |    | 32 | 31 | 30 | 29 | 28 | 27 |    | 25 | 24 | 23 | 22 | 21 | 20 | 19 | 18 | 17 |    |    |    |    |
|          |                |                |                   |                  |                    |   |    |    |    |    | 16 | 15 | 14 | 13 | 12 | 11 | 10 | 9  |    |    |    |    |    |    |    |    |    |    | 1  |    |
| SALEABLE | NOT APPLICABLE | 34566-9203     | 0                 | A                | BLACK              | 72  | 71 | 70 | 69 | 68 | 67 | 66 |    | 64 | 63 | 62 |    | 60 | 59 |    |    |    |    | 55 | 54 | 53 |    |    |    |    |
|          |                |                |                   |                  |                    | 52  |    |    | 49 | 48 |    |    |    | 44 | 43 | 42 |    | 40 | 39 | 38 |    |    |    |    | 35 | 34 | 33 |    |    |    |
|          |                |                |                   |                  |                    | 73  |    |    |    |    |    |    | 30 | 29 | 28 | 27 |    |    | 24 | 23 |    |    |    |    |    | 19 | 18 | 17 |    |    |
|          |                |                |                   |                  |                    |   |    |    |    |    | 16 |    |    | 13 | 12 | 11 |    | 9  | 8  | 7  | 6  | 5  | 4  | 3  | 2  | 1  |    |    |    |    |
| SALEABLE | NOT APPLICABLE | 34566-9303     | 0                 | A                | BLACK              | 72  | 71 |    | 69 | 68 | 67 | 66 |    | 64 | 63 | 62 |    |    |    | 59 | 58 | 57 | 56 | 55 | 54 | 53 |    |    |    |    |
|          |                |                |                   |                  |                    | 52  | 51 | 50 | 49 | 48 | 47 | 46 |    | 44 | 43 | 42 |    |    |    | 39 | 38 | 37 | 36 | 35 | 34 | 33 |    |    |    |    |
|          |                |                |                   |                  |                    | 73  |    |    |    |    | 32 | 31 | 30 | 29 |    | 27 |    |    | 24 | 23 | 22 | 21 | 20 | 19 |    |    | 17 |    |    |    |
|          |                |                |                   |                  |                    |   |    |    |    |    | 15 | 14 | 13 | 12 | 11 |    |    | 9  | 8  | 7  | 6  | 5  | 4  | 3  | 2  | 1  |    |    |    |    |
| SALEABLE | NOT APPLICABLE | 34566-9403     | 0                 | B                | ST GRY             |   |    |    |    | 68 | 67 | 66 | 65 |    |    | 43 | 42 | 41 | 40 | 39 | 38 | 37 |    | 35 |    | 33 |    |    |    |    |
|          |                |                |                   |                  |                    |   | 51 | 50 | 49 | 48 |    | 46 | 45 |    |    |    |    |    |    |    |    |    |    |    |    |    |    |    |    |    |
|          |                |                |                   |                  |                    | 73  |    |    |    |    | 32 | 31 | 30 |    |    |    |    | 26 |    | 24 | 23 | 22 |    | 20 |    |    |    |    |    |    |
|          |                |                |                   |                  |                    |   |    |    |    |    | 16 |    |    | 13 |    |    | 10 | 9  | 8  | 7  | 6  | 5  | 4  |    |    |    |    |    |    |    |
| SALEABLE | NOT APPLICABLE | 34566-9503     | 0                 | A                | BLACK              | 72  | 71 | 70 | 69 | 68 |    |    | 65 | 64 | 63 |    | 61 |    | 59 | 58 | 57 | 56 |    |    |    |    |    |    |    |    |
|          |                |                |                   |                  |                    | 52  | 51 |    | 49 |    | 47 |    |    |    |    |    |    | 41 |    |    | 38 | 37 | 36 |    |    | 34 | 33 |    |    |    |
|          |                |                |                   |                  |                    | 73  |    |    |    |    | 32 | 31 | 30 | 29 | 28 | 27 |    |    | 24 | 23 |    |    |    |    | 20 | 19 | 18 | 17 |    |    |
|          |                |                |                   |                  |                    |   |    |    |    |    | 16 |    |    | 13 | 12 | 11 | 10 | 9  |    |    |    |    |    |    |    |    |    |    | 1  |    |



MX123 52/66/73/80-WAY RECEPTACLE ASSY SEALED PIN OUT SHEET

| STATUS   | GM PART #      | HRNS CONN ASSY |                   |                  | TPA                | GROMMET CAP                                 |    |    |    |    |    |    |    |    |    |    |    |    |    |    |    |    |    |    |    |    |    |    |
|----------|----------------|----------------|-------------------|------------------|--------------------|---|----|----|----|----|----|----|----|----|----|----|----|----|----|----|----|----|----|----|----|----|----|----|
|          |                | MATERIAL/PART  | WIRE DRESS OPTION | KEY OPTION<br>Fp | COLOR OPTION<br>Fp | NUMBERS INDICATE CAVITIES OPEN FOR CIRCUITS |    |    |    |    |    |    |    |    |    |    |    |    |    |    |    |    |    |    |    |    |    |    |
|          |                | NUMBER         |                   |                  |                    | Fp  |    |    |    |    |    |    |    |    |    |    |    |    |    |    |    |    |    |    |    |    |    |    |
| SALEABLE | NOT APPLICABLE | 34566-9603     | 0                 | A                | BLACK              | 52  | 71 | 70 | 69 | 68 |    | 66 | 65 | 64 | 63 |    | 61 |    | 59 | 58 | 57 | 56 |    |    |    |    |    |    |
|          |                |                |                   |                  |                    |   |    | 50 | 49 |    | 47 |    |    |    |    |    |    |    | 41 |    |    | 38 | 37 | 36 | 35 | 34 | 33 |    |
|          |                |                |                   |                  |                    | 73  |    |    | 32 | 31 | 30 | 29 | 28 | 27 |    |    |    |    | 24 | 23 |    |    |    |    | 20 | 19 | 18 | 17 |
| SALEABLE | NOT APPLICABLE | 34566-9703     | 0                 | A                | BLACK              | 72  | 71 | 70 | 69 | 68 |    |    | 65 | 64 | 63 |    | 61 |    | 59 |    | 57 | 56 |    |    |    |    |    |    |
|          |                |                |                   |                  |                    | 52  | 51 | 50 | 49 |    | 47 |    |    |    |    |    |    | 41 |    |    | 38 | 37 | 36 |    |    | 34 | 33 |    |
|          |                |                |                   |                  |                    | 73  |    |    | 32 | 31 | 30 | 29 | 28 | 27 |    |    |    |    | 24 | 23 |    |    |    |    | 20 | 19 | 18 |    |
| SALEABLE | NOT APPLICABLE | 34566-9803     | 0                 | A                | BLACK              | 72  | 71 | 70 | 69 | 68 |    |    | 65 | 64 | 63 |    | 61 |    | 59 |    | 57 | 56 |    |    |    |    |    |    |
|          |                |                |                   |                  |                    | 52  | 51 | 50 | 49 |    | 47 |    |    |    |    |    |    | 41 |    |    | 38 | 37 | 36 |    |    | 34 | 33 |    |
|          |                |                |                   |                  |                    | 73  |    |    | 32 | 31 | 30 | 29 | 28 | 27 |    |    |    |    | 24 | 23 |    |    |    |    | 20 | 19 | 18 |    |
| SALEABLE | NOT APPLICABLE | 34566-9903     | 0                 | A                | BLACK              |   | 71 |    | 69 | 68 |    |    | 65 | 64 | 63 |    | 61 |    | 59 | 58 | 57 | 56 |    |    |    |    |    |    |
|          |                |                |                   |                  |                    | 52  |    | 50 | 49 |    | 47 |    |    |    |    |    |    | 41 |    |    | 38 | 37 | 36 |    |    | 34 | 33 |    |
|          |                |                |                   |                  |                    | 73  |    |    | 32 | 31 | 30 | 29 | 28 | 27 |    |    |    |    | 24 | 23 |    |    |    |    | 20 | 19 | 18 | 17 |
| SALEABLE | NOT APPLICABLE | 34566-1013     | 0                 | A                | BLACK              |   | 71 |    | 69 | 68 |    |    | 65 | 64 | 63 |    | 61 |    | 59 | 58 | 57 | 56 |    |    |    |    |    |    |
|          |                |                |                   |                  |                    | 52  |    | 50 | 49 |    | 47 |    |    |    |    |    |    | 41 |    |    | 38 | 37 | 36 |    |    | 34 | 33 |    |
|          |                |                |                   |                  |                    | 73  |    |    | 32 | 31 | 30 | 29 | 28 | 27 |    |    |    |    | 24 | 23 |    |    |    |    | 20 | 19 | 18 | 17 |
| SALEABLE | NOT APPLICABLE | 34566-1023     | 0                 | A                | BLACK              |   |    | 70 |    | 68 |    |    | 66 | 65 |    |    |    |    | 58 | 57 |    | 55 | 54 |    |    |    |    |    |
|          |                |                |                   |                  |                    |   |    | 50 | 49 |    | 47 |    |    | 44 | 43 | 42 | 41 |    | 39 |    |    | 37 |    | 35 |    |    |    |    |
|          |                |                |                   |                  |                    | 73  |    |    | 32 |    | 30 |    |    | 27 |    | 25 | 24 |    |    |    | 21 | 20 | 19 | 18 | 17 |    |    |    |
| SALEABLE | NOT APPLICABLE | 34566-1033     | 0                 | A                | BLACK              | 72  |    | 70 |    | 68 |    |    | 66 | 65 |    |    |    |    | 58 | 57 |    | 55 | 54 |    |    |    |    |    |
|          |                |                |                   |                  |                    |   |    | 50 | 49 |    | 47 |    |    | 44 | 43 | 42 | 41 |    | 39 |    |    | 37 |    | 35 |    |    |    |    |
|          |                |                |                   |                  |                    | 73  |    |    | 32 |    | 30 |    |    | 27 | 26 | 25 | 24 |    |    |    | 21 | 20 | 19 | 18 | 17 |    |    |    |
| SALEABLE | NOT APPLICABLE | 34566-1043     | 0                 | B                | ST GRAY            |   | 71 | 70 |    | 68 |    |    | 66 | 65 |    |    |    |    | 59 | 58 | 57 |    |    | 54 | 53 |    |    |    |
|          |                |                |                   |                  |                    |   | 51 | 50 | 49 | 48 |    | 46 | 45 |    | 43 |    | 41 | 40 | 39 | 38 | 37 | 36 | 35 |    |    |    |    |    |
|          |                |                |                   |                  |                    | 73  |    |    | 32 | 31 | 30 |    |    |    |    |    |    | 24 | 23 | 22 |    | 20 |    |    |    |    |    |    |
| SALEABLE | NOT APPLICABLE | 34566-1053     | 0                 | H                | ST GRAY            |   | 79 | 78 | 77 | 76 | 75 | 74 | 73 | 72 | 71 | 70 | 69 | 68 |    | 66 | 65 | 64 | 63 |    |    | 61 |    |    |
|          |                |                |                   |                  |                    | 60  | 59 | 58 | 57 | 56 |    |    | 53 | 52 |    | 50 |    |    |    |    |    |    | 44 | 43 |    |    | 41 |    |
|          |                |                |                   |                  |                    | 40  | 39 | 38 | 37 |    | 35 | 34 | 33 | 32 |    | 30 | 29 |    | 27 | 26 |    |    |    |    |    |    | 22 | 21 |
| SALEABLE | NOT APPLICABLE | 34566-1063     | 0                 | B                | ST GRAY            |   |    |    |    | 68 | 67 | 66 | 65 | 64 |    |    |    | 60 | 59 |    | 57 | 56 | 55 |    | 53 |    |    |    |
|          |                |                |                   |                  |                    |   |    |    | 49 | 48 | 47 |    |    | 44 |    |    |    | 40 | 39 |    | 37 | 36 | 35 |    |    |    |    |    |
|          |                |                |                   |                  |                    | 73  |    |    |    |    |    | 29 | 28 |    |    |    |    | 24 | 23 |    | 21 |    |    |    |    |    |    | 2  |
| SALEABLE | NOT APPLICABLE | 34566-1073     | 0                 | A                | BLACK              | 72  | 71 | 70 | 69 | 68 | 67 | 66 | 65 | 64 | 63 |    | 61 |    | 59 | 58 | 57 | 56 |    |    | 54 |    |    |    |
|          |                |                |                   |                  |                    |   |    | 50 | 49 | 48 | 47 |    |    |    |    |    | 42 | 41 |    |    | 38 | 37 | 36 |    |    | 34 | 33 |    |
|          |                |                |                   |                  |                    | 73  |    |    | 32 | 31 | 30 | 29 | 28 | 27 | 26 |    | 24 | 23 |    |    |    |    |    | 20 | 19 | 18 |    |    |
| SALEABLE | NOT APPLICABLE | 34566-1083     | 0                 | B                | ST GRAY            |   |    |    |    | 68 | 67 | 66 | 65 | 64 |    |    |    | 59 | 58 | 57 |    | 55 | 54 | 53 |    |    |    |    |
|          |                |                |                   |                  |                    |   | 51 | 50 | 49 | 48 |    | 46 | 45 |    | 43 | 42 | 41 | 40 | 39 | 38 | 37 |    | 35 |    |    |    | 33 |    |
|          |                |                |                   |                  |                    | 73  |    |    | 32 | 31 | 30 |    |    | 26 |    | 24 | 23 | 22 |    | 20 |    |    |    |    |    |    |    |    |
| SALEABLE | NOT APPLICABLE | 34566-1093     | 0                 | A                | BLACK              |   |    | 70 |    | 68 | 67 | 66 |    |    |    |    |    |    | 58 |    | 56 | 55 | 54 |    |    |    |    |    |
|          |                |                |                   |                  |                    |   |    |    | 49 |    | 47 |    |    | 44 | 43 | 42 | 41 |    | 39 |    |    | 37 | 36 |    |    | 34 |    |    |
|          |                |                |                   |                  |                    | 73  |    |    |    | 31 | 30 |    |    | 27 |    | 25 | 24 |    |    |    | 21 | 20 | 19 | 18 |    |    |    |    |
| SALEABLE | NOT APPLICABLE | 34566-1123     | 0                 | H                | ST GRAY            |   |    | 78 |    |    |    |    |    | 72 | 71 | 70 | 69 | 68 | 67 | 66 | 65 | 64 | 63 |    | 61 |    |    |    |
|          |                |                |                   |                  |                    |   |    | 58 | 57 | 56 |    |    | 53 | 52 | 51 | 50 |    |    |    |    |    |    | 44 | 43 |    |    | 41 |    |
|          |                |                |                   |                  |                    | 40  |    |    | 37 |    | 35 | 34 | 33 | 32 |    | 30 | 29 |    | 27 | 26 |    |    |    |    |    |    | 22 | 21 |
| SALEABLE | NOT APPLICABLE | 34566-1133     | 0                 | A                | BLACK              |   |    | 70 |    | 68 | 67 | 66 |    |    |    |    |    | 58 | 57 |    | 55 | 54 |    |    |    |    |    |    |
|          |                |                |                   |                  |                    |   |    |    | 49 |    | 47 |    |    | 45 | 44 | 43 | 42 | 41 |    | 39 |    |    | 37 |    |    | 34 |    |    |
|          |                |                |                   |                  |                    | 73  |    |    | 32 |    | 30 |    |    | 27 |    | 25 | 24 |    |    |    | 21 | 20 | 19 | 18 |    |    |    |    |

MX123 52/66/73/80-WAY RECEPTACLE ASSY SEALED PIN OUT SHEET

| STATUS   | GM PART #      | HRNS CONN ASSY |                   |                  | TPA                | GROMMET CAP  |    |    |    |    |    |    |    |    |    |    |    |    |    |    |    |    |    |    |    |    |    |    |    |
|----------|----------------|----------------|-------------------|------------------|--------------------|--|----|----|----|----|----|----|----|----|----|----|----|----|----|----|----|----|----|----|----|----|----|----|----|
|          |                | MATERIAL/PART  | WIRE DRESS OPTION | KEY OPTION<br>Fp | COLOR OPTION<br>Fp | NUMBERS INDICATE CAVITIES OPEN FOR CIRCUITS  |    |    |    |    |    |    |    |    |    |    |    |    |    |    |    |    |    |    |    |    |    |    |    |
|          |                | NUMBER         |                   |                  |                    | Fp   |    |    |    |    |    |    |    |    |    |    |    |    |    |    |    |    |    |    |    |    |    |    |    |
| SALEABLE | NOT APPLICABLE | 34566-1143     | 0                 | A                | BLACK              | 52   |    | 50 |    | 68 |    |    | 65 |    | 63 |    | 61 |    | 59 | 58 |    | 56 |    |    | 53 |    |    |    |    |
|          |                |                |                   |                  |                    |  |    |    |    | 47 |    |    |    |    |    |    |    |    |    |    |    | 38 | 37 |    | 36 | 35 |    | 34 | 33 |
|          |                |                |                   |                  |                    | 73   |    |    | 32 | 31 | 30 | 29 | 28 | 27 |    | 25 | 24 | 23 | 22 | 21 | 20 | 19 | 18 | 17 |    |    |    | 1  |    |
| SALEABLE | NOT APPLICABLE | 34566-1153     | 0                 | A                | BLACK              |  |    | 70 |    |    |    | 67 | 66 | 65 |    |    |    |    |    | 58 | 57 |    | 55 |    |    |    |    |    |    |
|          |                |                |                   |                  |                    |  |    | 49 |    |    |    | 47 |    |    | 44 | 43 | 42 | 41 |    | 39 |    | 37 |    |    |    |    |    |    |    |
|          |                |                |                   |                  |                    | 73   |    |    | 32 |    | 30 |    |    | 27 |    | 25 | 24 | 23 |    | 21 | 20 | 19 | 18 |    |    |    |    | 1  |    |
| SALEABLE | NOT APPLICABLE | 34566-1163     | 0                 | H                | ST GRAY            |  |    | 78 |    |    |    |    |    | 72 | 71 | 70 | 69 | 68 |    | 66 | 65 | 64 | 63 |    | 61 |    |    |    |    |
|          |                |                |                   |                  |                    | 60   | 59 | 58 | 57 | 56 |    |    | 53 | 52 |    | 50 |    |    |    |    |    |    |    | 44 | 43 |    | 41 |    |    |
|          |                |                |                   |                  |                    | 40   |    |    | 37 |    | 35 | 34 |    | 32 |    | 30 | 29 |    | 27 | 26 |    |    |    |    |    |    | 22 | 21 |    |
| SALEABLE | NOT APPLICABLE | 34566-1173     | 0                 | A                | BLACK              | 20   | 19 | 18 | 17 | 16 |    |    | 13 | 12 |    |    |    | 8  |    | 6  | 5  |    | 3  | 2  |    |    |    |    |    |
|          |                |                |                   |                  |                    | 72   | 71 |    | 69 | 68 |    |    | 65 | 64 | 63 | 62 | 61 | 60 | 59 | 58 |    | 56 |    | 54 |    | 53 |    |    |    |
|          |                |                |                   |                  |                    | 52   |    | 50 | 49 | 48 | 47 |    | 45 |    |    | 42 | 41 |    | 39 | 38 | 37 | 36 |    | 34 | 33 |    |    |    |    |
| SALEABLE | NOT APPLICABLE | 34566-1183     | 0                 | B                | ST GRAY            | 73   |    |    | 32 | 31 | 30 | 29 | 28 | 27 | 26 |    | 24 | 23 |    | 20 | 19 | 18 | 17 |    |    |    |    |    |    |
|          |                |                |                   |                  |                    |  |    |    |    |    |    |    |    |    |    |    |    |    |    |    |    |    |    |    |    |    |    |    |    |
|          |                |                |                   |                  |                    |  |    |    | 49 | 48 | 47 |    |    | 44 |    | 42 |    |    | 39 |    | 37 |    | 35 |    |    |    |    |    |    |
| SALEABLE | NOT APPLICABLE | 34566-1193     | 0                 | A                | BLACK              |  |    |    |    |    |    | 66 | 65 | 64 |    | 62 |    |    | 59 |    | 57 |    | 55 |    | 53 |    |    |    |    |
|          |                |                |                   |                  |                    |  |    |    | 49 | 48 | 47 |    |    | 44 |    | 42 |    |    | 39 |    | 37 |    | 35 |    |    |    |    |    |    |
|          |                |                |                   |                  |                    | 73   |    |    |    |    |    | 29 | 28 |    |    |    |    | 23 |    | 21 |    |    |    |    |    |    |    | 17 |    |
| SALEABLE | NOT APPLICABLE | 34566-1213     | 0                 | A                | BLACK              | 72   | 71 |    | 69 | 68 | 67 | 66 |    | 64 | 63 | 62 |    | 60 | 59 |    |    |    |    |    | 54 | 53 |    |    |    |
|          |                |                |                   |                  |                    | 52   |    |    | 49 | 48 |    | 46 |    | 44 | 43 | 42 |    |    | 39 |    |    |    |    |    |    |    | 34 | 33 |    |
|          |                |                |                   |                  |                    | 73   |    |    | 32 |    |    | 29 |    | 27 |    |    |    | 23 |    |    |    |    |    |    |    |    |    | 17 |    |
| SALEABLE | NOT APPLICABLE | 34566-1223     | 0                 | B                | ST GRAY            | 72   | 71 |    | 69 | 68 | 67 | 66 |    | 64 | 63 | 62 |    | 59 |    |    |    |    |    |    | 54 | 53 |    |    |    |
|          |                |                |                   |                  |                    | 52   |    |    | 49 | 48 |    | 46 |    | 44 | 43 | 42 |    |    | 39 |    |    |    |    |    |    |    | 34 | 33 |    |
|          |                |                |                   |                  |                    | 73   |    |    | 32 |    |    | 29 |    | 27 |    |    |    | 23 |    |    |    |    |    |    |    |    |    | 17 |    |
| SALEABLE | NOT APPLICABLE | 34566-1233     | 0                 | B                | ST GRAY            |  |    |    |    |    |    | 65 |    |    | 62 |    |    | 59 |    | 57 |    | 55 |    | 53 |    |    |    |    |    |
|          |                |                |                   |                  |                    |  |    |    | 48 |    |    |    | 43 | 42 |    | 39 |    | 37 |    | 35 |    |    |    |    |    |    |    |    |    |
|          |                |                |                   |                  |                    | 73   |    |    |    |    |    | 29 |    | 27 | 26 |    | 23 |    | 21 |    |    |    |    |    |    |    |    |    |    |
| SALEABLE | NOT APPLICABLE | 34566-1243     | 0                 | B                | ST GRAY            |  |    |    |    |    |    | 65 |    |    | 62 |    |    | 59 |    | 57 |    | 55 |    | 53 |    |    |    |    |    |
|          |                |                |                   |                  |                    |  |    |    | 48 |    | 46 |    |    | 43 | 42 |    | 39 |    | 37 |    | 35 |    |    |    |    |    |    |    |    |
|          |                |                |                   |                  |                    | 73   |    |    |    |    |    | 29 |    | 27 | 26 |    | 23 |    | 21 |    |    |    |    |    |    |    |    |    |    |
| SALEABLE | NOT APPLICABLE | 34566-1253     | 9                 | B                | ST GRAY            |  |    |    |    |    |    | 65 |    |    | 62 |    |    | 59 |    | 57 |    | 55 |    | 53 |    |    |    |    |    |
|          |                |                |                   |                  |                    |  |    |    | 49 | 48 |    | 46 |    |    |    | 40 | 39 |    | 37 |    | 35 |    |    |    |    |    |    |    |    |
|          |                |                |                   |                  |                    | 73   |    |    |    |    |    |    |    |    |    |    | 24 | 23 |    | 21 |    |    |    |    |    |    |    | 2  |    |
| SALEABLE | NOT APPLICABLE | 34566-1263     | 9                 | A                | BLACK              | NUMBERS IN BOLD MUST USE SAE WIRE MEETING SAE J1128, WIRE SIZE (NO.20) OR (NO.18 MAX. O.D. OF 2.06 MM) PER G.M. DRAWING NUMBER 12582682. |    |    |    |    |    |    |    |    |    |    |    |    |    |    |    |    |    |    |    |    |    |    |    |
|          |                |                |                   |                  |                    | 72   | 71 |    | 69 | 68 | 67 | 66 |    | 64 | 63 | 62 |    | 60 | 59 |    |    | 56 |    |    |    |    | 53 |    |    |
|          |                |                |                   |                  |                    |  |    | 50 |    | 48 |    | 46 |    | 44 | 43 | 42 |    |    | 39 |    |    | 36 | 35 |    |    |    |    | 33 |    |
| SALEABLE | NOT APPLICABLE | 34566-1273     | 0                 | A                | BLACK              | 73   |    |    | 32 |    | 30 | 29 |    | 27 |    | 24 | 23 |    | 20 |    |    |    |    | 17 |    |    |    |    |    |
|          |                |                |                   |                  |                    |  |    |    |    |    |    |    |    |    |    |    |    |    |    |    |    |    |    |    |    |    |    |    |    |
|          |                |                |                   |                  |                    |  |    | 70 | 69 | 68 |    |    | 65 | 64 | 63 |    | 61 |    | 59 | 58 | 57 | 56 |    |    |    |    | 34 | 33 |    |
| SALEABLE | NOT APPLICABLE | 34566-1283     | 0                 | A                | BLACK              | 52   |    | 50 | 49 | 48 | 47 |    |    |    |    | 41 |    |    | 38 | 37 | 36 |    |    | 34 | 33 |    |    |    |    |
|          |                |                |                   |                  |                    | 73   |    |    | 32 | 31 | 30 | 29 | 28 | 27 |    | 24 | 23 |    | 20 | 19 | 18 |    |    |    |    |    |    | 1  |    |
|          |                |                |                   |                  |                    |  |    |    |    |    |    |    |    |    |    |    |    |    |    |    |    |    |    |    |    |    |    |    |    |

MX123 52/66/73/80-WAY RECEPTACLE ASSY SEALED PIN OUT SHEET

| STATUS   | GM PART #      | HRNS CONN ASSY |                   |                  | TPA                | GROMMET CAP                                 |    |    |    |    |    |    |    |    |    |    |    |    |    |    |    |    |    |    |    |    |    |
|----------|----------------|----------------|-------------------|------------------|--------------------|---|----|----|----|----|----|----|----|----|----|----|----|----|----|----|----|----|----|----|----|----|----|
|          |                | MATERIAL/PART  | WIRE DRESS OPTION | KEY OPTION<br>Fp | COLOR OPTION<br>Fp | NUMBERS INDICATE CAVITIES OPEN FOR CIRCUITS |    |    |    |    |    |    |    |    |    |    |    |    |    |    |    |    |    |    |    |    |    |
|          |                | NUMBER         |                   |                  |                    | Fp  |    |    |    |    |    |    |    |    |    |    |    |    |    |    |    |    |    |    |    |    |    |
| SALEABLE | NOT APPLICABLE | 34566-1293     | 0                 | A                | BLACK              | 52  |    | 50 |    | 68 |    |    | 65 |    | 63 |    | 61 |    | 59 | 58 |    | 56 |    |    | 34 | 33 |    |
|          |                |                |                   |                  |                    | 73  |    |    |    | 32 | 31 | 30 | 29 | 28 | 27 |    |    | 24 | 23 |    |    |    | 20 | 19 | 18 | 17 |    |
|          |                |                |                   |                  |                    | 73  |    |    |    | 16 |    |    | 13 | 12 | 11 | 10 | 9  |    |    |    |    |    |    |    |    |    |    |
| SALEABLE | NOT APPLICABLE | 34566-1313     | 0                 | H                | ST GRAY            | 80  |    | 78 |    |    |    |    |    | 72 | 71 | 70 | 69 | 68 |    | 66 | 65 | 64 | 63 |    | 61 |    |    |
|          |                |                |                   |                  |                    |   |    | 58 | 57 | 56 | 55 | 54 | 53 |    |    |    |    |    |    |    |    | 46 |    | 44 | 43 | 42 |    |
|          |                |                |                   |                  |                    | 40  |    |    | 37 |    | 35 |    |    |    | 32 |    |    | 30 | 29 |    |    | 27 | 26 |    |    |    |    |
| SALEABLE | NOT APPLICABLE | 34566-1323     | 0                 | A                | BLACK              | 72  | 71 | 70 | 69 | 68 | 67 | 66 | 65 | 64 | 63 | 62 |    | 60 | 59 | 58 | 57 | 56 | 55 | 54 | 53 |    |    |
|          |                |                |                   |                  |                    | 52  | 51 | 50 | 49 | 48 | 47 | 46 | 45 | 44 | 43 | 42 | 41 | 40 | 39 | 38 | 37 | 36 | 35 | 34 | 33 |    |    |
|          |                |                |                   |                  |                    | 73  |    |    |    | 32 | 31 | 30 | 29 | 28 | 27 |    |    | 25 | 24 | 23 | 22 | 21 | 20 | 19 | 18 | 17 |    |
| SALEABLE | NOT APPLICABLE | 34566-1333     | 0                 | A                | BLACK              |   |    | 70 | 69 | 68 |    |    | 65 | 64 |    |    |    | 59 | 58 |    | 56 |    |    |    |    |    |    |
|          |                |                |                   |                  |                    | 52  |    | 50 | 49 |    | 47 |    |    |    |    | 41 |    |    |    | 38 | 37 | 36 |    |    | 34 |    |    |
|          |                |                |                   |                  |                    | 73  |    |    |    | 32 | 31 | 30 | 29 | 28 | 27 |    |    |    |    | 23 |    |    |    | 20 | 19 | 18 | 17 |
| SALEABLE | NOT APPLICABLE | 34566-1343     | 0                 | A                | BLACK              |   |    |    | 69 |    |    |    | 65 | 64 | 63 |    |    |    | 59 | 58 | 57 | 56 |    |    |    |    |    |
|          |                |                |                   |                  |                    |   |    | 50 | 49 | 48 | 47 |    |    |    |    |    | 41 |    |    |    | 38 | 37 | 36 |    |    | 34 |    |
|          |                |                |                   |                  |                    | 73  |    |    |    | 32 | 31 | 30 | 29 | 28 | 27 |    |    |    |    | 23 |    |    |    | 20 | 19 | 18 | 17 |
| SALEABLE | NOT APPLICABLE | 34566-1353     | 0                 | H                | ST GRAY            |   | 79 | 78 | 77 | 76 | 75 | 74 | 73 | 72 | 71 | 70 | 69 | 68 |    | 66 | 65 | 64 | 63 |    | 61 |    |    |
|          |                |                |                   |                  |                    | 60  | 59 | 58 | 57 | 56 |    |    | 53 |    |    |    | 50 |    |    |    |    |    |    | 44 | 43 |    | 41 |
|          |                |                |                   |                  |                    | 40  | 39 | 38 | 37 |    | 35 | 34 |    |    | 32 |    |    | 30 | 29 |    |    | 27 | 26 |    |    |    |    |
| SALEABLE | NOT APPLICABLE | 34566-1363     | 0                 | A                | BLACK              | 72  | 71 |    | 69 | 68 | 67 | 66 |    | 64 | 63 | 62 |    |    | 59 |    |    |    |    |    |    | 53 |    |
|          |                |                |                   |                  |                    |   |    |    |    | 48 |    | 46 |    | 44 | 43 | 42 |    |    |    | 39 |    |    |    |    |    |    | 33 |
|          |                |                |                   |                  |                    | 73  |    |    |    | 32 |    |    | 29 |    | 27 |    |    | 24 | 23 |    |    |    |    |    |    |    |    |
| SALEABLE | NOT APPLICABLE | 34566-1373     | 0                 | B                | ST GRAY            |   |    |    |    |    |    |    | 65 |    |    | 62 |    |    | 59 |    | 57 |    | 55 |    | 53 |    |    |
|          |                |                |                   |                  |                    |   |    |    |    | 48 |    | 46 |    |    |    | 42 |    |    | 39 |    |    | 37 |    | 35 |    |    | 33 |
|          |                |                |                   |                  |                    | 73  |    |    |    |    |    |    | 29 |    |    | 26 |    |    | 23 |    |    | 21 |    |    |    |    |    |
| SALEABLE | NOT APPLICABLE | 34566-1383     | 0                 | B                | ST GRAY            |   |    |    | 49 | 48 | 47 | 46 |    |    |    |    |    | 59 | 58 | 57 |    | 55 |    |    | 53 |    |    |
|          |                |                |                   |                  |                    |   |    |    |    |    |    |    |    |    |    |    |    |    | 39 | 38 | 37 |    | 35 |    |    |    | 33 |
|          |                |                |                   |                  |                    | 73  |    |    |    |    |    |    | 29 |    |    |    |    |    | 23 | 22 | 21 |    |    |    |    |    |    |
| SALEABLE | NOT APPLICABLE | 34566-1393     | 0                 | A                | BLACK              |   |    | 70 |    |    | 67 | 66 |    |    |    | 61 |    |    | 58 | 57 |    | 55 | 54 |    |    |    |    |
|          |                |                |                   |                  |                    |   |    |    |    |    | 47 |    | 45 | 44 | 43 | 42 | 41 |    | 39 |    |    | 37 |    |    |    | 34 |    |
|          |                |                |                   |                  |                    | 73  |    |    |    | 32 |    | 30 |    |    | 27 |    | 25 | 24 |    |    |    | 21 | 20 | 19 | 18 |    |    |
| SALEABLE | NOT APPLICABLE | 34566-1423     | 0                 | B                | ST GRAY            |   |    |    |    | 68 | 67 | 66 | 65 |    |    | 61 | 60 | 59 | 58 | 57 |    |    | 54 | 53 |    |    |    |
|          |                |                |                   |                  |                    |   | 51 | 50 | 49 | 48 | 47 | 46 | 45 |    | 43 | 42 | 41 | 40 | 39 | 38 | 37 |    | 35 | 34 | 33 |    |    |
|          |                |                |                   |                  |                    | 73  |    |    |    | 32 | 31 | 30 |    |    |    | 26 |    | 24 | 23 | 22 | 21 | 20 |    |    |    |    |    |
| SALEABLE | NOT APPLICABLE | 34566-1433     | 0                 | B                | ST GRAY            |   |    |    |    |    |    |    | 64 |    |    |    |    | 59 |    | 57 |    | 55 |    | 53 |    |    |    |
|          |                |                |                   |                  |                    |   |    |    | 49 | 48 |    | 46 |    |    |    |    |    |    | 39 |    |    | 37 |    | 35 |    |    | 33 |
|          |                |                |                   |                  |                    | 73  |    |    |    | 32 |    |    | 29 |    |    |    |    |    | 23 |    |    | 21 |    |    |    | 18 | 17 |
| SALEABLE | NOT APPLICABLE | 34566-1443     | 0                 | B                | ST GRAY            |   |    |    | 69 | 68 |    | 66 |    |    |    |    |    | 59 |    | 57 |    | 55 |    | 53 |    |    |    |
|          |                |                |                   |                  |                    |   |    |    | 49 | 48 |    | 46 |    |    |    |    |    |    | 39 |    |    | 37 |    | 35 |    |    | 33 |
|          |                |                |                   |                  |                    | 73  |    |    |    |    |    |    | 29 |    |    |    |    |    | 23 |    |    | 21 |    |    |    |    |    |
| SALEABLE | NOT APPLICABLE | 34566-1453     | 0                 | B                | ST GRAY            |   |    |    | 49 | 48 | 47 |    |    | 66 | 65 | 64 |    | 62 |    | 59 |    | 57 |    | 55 |    | 53 |    |
|          |                |                |                   |                  |                    |   |    |    |    |    |    |    |    | 44 |    | 42 |    |    | 39 |    |    | 37 |    | 35 |    |    | 33 |
|          |                |                |                   |                  |                    | 73  |    |    |    |    |    |    | 29 | 28 |    | 26 |    |    | 23 |    |    | 21 |    |    |    |    |    |
| SALEABLE | NOT APPLICABLE | 34566-1463     | 0                 | A                | BLACK              |   |    |    | 69 | 68 |    |    | 65 | 64 | 63 | 62 | 61 | 60 | 59 | 58 |    | 56 |    |    | 34 | 33 |    |
|          |                |                |                   |                  |                    | 52  |    | 50 | 49 | 48 | 47 |    | 45 |    |    |    | 41 |    |    |    | 38 | 37 | 36 |    |    |    |    |
|          |                |                |                   |                  |                    | 73  |    |    |    | 32 | 31 | 30 | 29 | 28 | 27 |    |    | 24 | 23 |    |    |    |    | 20 | 19 | 18 | 17 |

MX123 52/66/73/80-WAY RECEPTACLE ASSY SEALED PIN OUT SHEET

| STATUS               | GM PART #      | HRNS CONN ASSY |                   |                  | TPA                | GROMMET CAP                                 |    |    |    |    |    |    |    |    |    |    |    |    |    |    |    |    |    |    |    |    |    |
|----------------------|----------------|----------------|-------------------|------------------|--------------------|---|----|----|----|----|----|----|----|----|----|----|----|----|----|----|----|----|----|----|----|----|----|
|                      |                | MATERIAL/PART  | WIRE DRESS OPTION | KEY OPTION<br>Fp | COLOR OPTION<br>Fp | NUMBERS INDICATE CAVITIES OPEN FOR CIRCUITS |    |    |    |    |    |    |    |    |    |    |    |    |    |    |    |    |    |    |    |    |    |
|                      |                | NUMBER         |                   |                  |                    | Fp  |    |    |    |    |    |    |    |    |    |    |    |    |    |    |    |    |    |    |    |    |    |
| SALEABLE             | NOT APPLICABLE | 34566-1473     | 0                 | A                | BLACK              | 72  | 71 |    | 69 | 68 | 67 | 66 |    | 64 | 63 | 62 |    |    | 59 |    |    |    |    | 54 | 53 |    |    |
|                      |                |                |                   |                  |                    | 52  |    |    | 49 | 48 |    | 46 |    | 44 | 43 | 42 |    |    | 39 |    |    |    |    |    |    | 34 | 33 |
|                      |                |                |                   |                  |                    | 73  |    |    |    |    |    | 32 |    |    | 29 |    | 27 |    |    | 24 | 23 |    |    |    |    |    |    |
| SALEABLE             | NOT APPLICABLE | 34566-1483     | 0                 | A                | BLACK              | 72  | 71 |    | 69 | 68 |    |    |    | 65 | 64 | 63 |    | 61 |    | 59 | 58 |    | 56 |    |    |    |    |
|                      |                |                |                   |                  |                    | 52  |    | 50 | 49 |    | 47 |    |    |    |    |    | 41 |    |    | 38 | 37 | 36 |    |    | 34 | 33 |    |
|                      |                |                |                   |                  |                    | 73  |    |    |    | 32 | 31 | 30 | 29 | 28 | 27 |    |    | 24 | 23 |    |    | 20 | 19 | 18 | 17 |    |    |
| SALEABLE             | NOT APPLICABLE | 34566-1493     | 0                 | B                | ST GRAY            |   |    |    |    | 68 |    |    |    |    |    |    |    | 59 | 58 | 57 |    | 55 |    | 53 |    |    |    |
|                      |                |                |                   |                  |                    |   |    |    | 49 | 48 |    | 46 |    |    |    |    |    |    | 39 | 38 | 37 |    | 35 |    |    | 33 |    |
|                      |                |                |                   |                  |                    | 73  |    |    |    |    |    |    | 29 |    |    |    |    | 23 | 22 | 21 |    |    | 18 | 17 |    |    |    |
| SALEABLE             | NOT APPLICABLE | 34566-1513     | 0                 | B                | ST GRAY            |   |    |    |    |    |    |    | 65 |    |    |    |    | 59 |    | 57 |    | 55 |    | 53 |    |    |    |
|                      |                |                |                   |                  |                    |   |    |    | 49 | 48 |    | 46 |    |    |    |    |    | 39 |    | 37 |    | 35 |    |    | 33 |    |    |
|                      |                |                |                   |                  |                    | 73  |    |    |    |    |    |    | 29 |    |    |    |    | 23 |    | 21 |    |    |    | 17 |    |    |    |
| SALEABLE             | NOT APPLICABLE | 34566-1523     | 0                 | A                | BLACK              |   |    | 70 | 69 | 68 |    |    | 65 | 64 |    |    |    | 59 | 58 |    | 56 |    | 54 |    |    |    |    |
|                      |                |                |                   |                  |                    | 52  |    | 50 | 49 |    | 47 |    |    |    |    | 42 | 41 |    |    | 38 | 37 | 36 |    | 34 |    |    |    |
|                      |                |                |                   |                  |                    | 73  |    |    |    | 32 | 31 | 30 | 29 | 28 | 27 | 26 |    |    | 23 |    |    | 20 | 19 | 18 | 17 |    |    |
| SALEABLE             | NOT APPLICABLE | 34566-1533     | 0                 | A                | BLACK              | 72  | 71 | 70 | 69 | 68 |    |    |    |    |    |    | 59 | 58 | 57 | 56 |    |    |    |    |    |    |    |
|                      |                |                |                   |                  |                    | 52  | 51 | 50 | 49 |    | 47 |    |    |    |    |    |    | 41 |    |    | 38 | 37 | 36 |    | 34 | 33 |    |
|                      |                |                |                   |                  |                    | 73  |    |    |    | 32 | 31 | 30 | 29 | 28 | 27 |    |    | 24 | 23 |    |    | 20 | 19 | 18 | 17 |    |    |
| SALEABLE             | NOT APPLICABLE | 34566-1543     | 0                 | B                | ST GRAY            |   |    |    | 69 | 68 |    | 66 |    |    |    |    | 59 |    | 57 |    | 55 |    | 53 |    |    |    |    |
|                      |                |                |                   |                  |                    |   |    |    | 49 | 48 |    | 46 |    |    |    |    |    | 39 |    | 37 |    | 35 |    |    | 33 |    |    |
|                      |                |                |                   |                  |                    | 73  |    |    |    |    |    |    | 29 |    |    |    |    | 23 |    | 21 |    |    |    |    |    |    |    |
| SALEABLE             | 12582677       | 34566-1553     | 0                 | A                | BLACK              |   |    |    |    |    |    |    |    |    |    |    |    |    |    |    |    |    |    |    |    |    |    |
|                      |                |                |                   |                  |                    | 73  |    |    |    |    |    |    |    |    |    |    |    |    |    |    |    |    |    |    |    |    |    |
|                      |                |                |                   |                  |                    |   |    |    |    |    |    |    |    |    |    |    |    |    |    |    |    |    |    |    |    |    |    |
| TOOL DESIGN SALEABLE | NOT APPLICABLE | 34566-1563     | 9                 | A                | BLACK              |   |    |    |    |    |    |    |    |    |    |    |    |    |    |    |    |    |    |    |    |    |    |
|                      |                |                |                   |                  |                    | 73  |    |    |    |    |    |    |    |    |    |    |    |    |    |    |    |    |    |    |    |    |    |
|                      |                |                |                   |                  |                    |   |    |    |    |    |    |    |    |    |    |    |    |    |    |    |    |    |    |    |    |    |    |
| TOOL DESIGN SALEABLE | NOT APPLICABLE | 34566-1573     | 9                 | H                | ST GRAY            |   |    |    |    |    |    |    |    |    |    |    |    |    |    |    |    |    |    |    |    |    |    |
|                      |                |                |                   |                  |                    | 73  |    |    |    |    |    |    |    |    |    |    |    |    |    |    |    |    |    |    |    |    |    |
|                      |                |                |                   |                  |                    |   |    |    |    |    |    |    |    |    |    |    |    |    |    |    |    |    |    |    |    |    |    |
| SALEABLE             | NOT APPLICABLE | 34566-1583     | 0                 | A                | BLACK              |   |    | 70 |    |    | 67 | 66 | 65 |    |    |    | 61 |    | 58 | 57 |    | 55 | 54 |    |    |    |    |
|                      |                |                |                   |                  |                    |   |    |    | 49 |    | 47 |    | 45 | 44 | 43 | 42 | 41 |    | 39 |    | 37 |    |    | 34 |    |    |    |
|                      |                |                |                   |                  |                    | 73  |    |    |    | 32 |    | 30 |    |    | 27 |    | 25 | 24 |    |    | 21 | 20 | 19 | 18 | 17 |    |    |
| SALEABLE             | NOT APPLICABLE | 34566-1593     | 0                 | B                | ST GRAY            |   |    |    |    | 67 |    | 65 |    |    |    | 61 | 60 | 59 | 58 | 57 |    | 54 | 53 |    |    |    |    |
|                      |                |                |                   |                  |                    |   | 51 | 50 | 49 | 48 | 47 | 46 | 45 |    | 43 | 42 |    | 40 | 39 |    | 37 |    |    | 34 | 33 |    |    |
|                      |                |                |                   |                  |                    | 73  |    |    |    | 32 | 31 | 30 |    |    | 26 |    | 24 | 23 | 22 | 21 | 20 |    |    |    |    |    |    |
| SALEABLE             | NOT APPLICABLE | 34566-1613     | 0                 | H                | ST GRAY            |   | 79 | 78 | 77 | 76 | 75 | 74 | 73 | 72 | 71 | 70 | 69 | 68 |    | 66 | 65 | 64 | 63 |    | 61 |    |    |
|                      |                |                |                   |                  |                    | 60  | 59 | 58 | 57 | 56 |    |    | 53 |    |    | 50 |    |    |    |    |    |    | 44 | 43 |    | 41 |    |
|                      |                |                |                   |                  |                    | 40  | 39 | 38 | 37 |    | 35 | 34 | 33 | 32 |    | 30 | 29 |    | 27 | 26 |    |    | 24 | 23 | 22 | 21 |    |
| SALEABLE             | NOT APPLICABLE | 34566-1623     | 0                 | B                | ST GRAY            |   |    |    |    |    |    | 66 | 65 |    |    | 62 |    | 59 |    | 57 |    | 55 |    | 53 |    |    |    |
|                      |                |                |                   |                  |                    |   |    |    |    | 48 | 47 |    |    |    | 42 |    | 39 |    | 37 |    | 35 |    |    | 33 |    |    |    |
|                      |                |                |                   |                  |                    | 73  |    |    |    |    |    |    | 29 |    |    | 26 |    | 23 |    | 21 |    |    |    |    |    |    | 17 |
| SALEABLE             | NOT APPLICABLE | 34566-1633     | 0                 | B                | ST GRAY            |   |    |    | 69 | 68 |    | 66 |    |    |    |    | 59 |    | 57 |    | 55 |    | 53 |    |    |    |    |
|                      |                |                |                   |                  |                    |   |    | 50 |    | 48 | 47 |    |    |    |    |    | 39 |    | 37 |    | 35 |    |    | 33 |    |    |    |
|                      |                |                |                   |                  |                    | 73  |    |    |    |    |    |    | 29 |    |    |    |    | 23 |    | 21 |    |    |    |    |    |    | 17 |

MX123 52/66/73/80-WAY RECEPTACLE ASSY SEALED PIN OUT SHEET

| STATUS   | GM PART #      | HRNS CONN ASSY |                   |                  | TPA                | GROMMET CAP                                 |    |    |    |    |    |    |    |    |    |    |    |    |    |    |    |    |    |    |    |    |    |    |
|----------|----------------|----------------|-------------------|------------------|--------------------|---|----|----|----|----|----|----|----|----|----|----|----|----|----|----|----|----|----|----|----|----|----|----|
|          |                | MATERIAL/PART  | WIRE DRESS OPTION | KEY OPTION<br>Fp | COLOR OPTION<br>Fp | NUMBERS INDICATE CAVITIES OPEN FOR CIRCUITS |    |    |    |    |    |    |    |    |    |    |    |    |    |    |    |    |    |    |    |    |    |    |
|          |                | NUMBER         |                   |                  |                    | Fp  |    |    |    |    |    |    |    |    |    |    |    |    |    |    |    |    |    |    |    |    |    |    |
| SALEABLE | NOT APPLICABLE | 34566-1643     | 0                 | B                | ST GRAY            |   |    |    | 69 | 68 |    | 66 |    |    |    |    |    |    | 59 |    | 57 |    | 55 |    | 53 |    |    |    |
|          |                |                |                   |                  |                    |   |    | 50 |    | 48 |    | 46 |    |    |    |    |    |    | 39 |    | 37 |    | 35 |    | 33 |    |    |    |
|          |                |                |                   |                  |                    | 73  |    |    |    |    |    | 29 |    |    |    |    |    | 23 |    | 21 |    |    |    |    |    |    | 17 |    |
| SALEABLE | NOT APPLICABLE | 34566-1653     | 0                 | B                | ST GRAY            |   |    |    |    |    |    | 66 |    |    |    |    |    | 59 |    | 57 |    | 55 |    | 53 |    |    |    |    |
|          |                |                |                   |                  |                    |   |    | 50 |    | 48 |    | 46 |    |    |    |    |    | 39 |    | 37 |    | 35 |    | 33 |    |    |    |    |
|          |                |                |                   |                  |                    | 73  |    |    |    |    |    | 29 |    |    |    |    |    | 23 |    | 21 |    |    |    |    |    |    | 17 |    |
| SALEABLE | NOT APPLICABLE | 34566-1663     | 0                 | B                | ST GRAY            |   |    |    |    |    |    | 66 |    |    |    |    |    | 59 |    | 57 |    | 55 |    | 53 |    |    |    |    |
|          |                |                |                   |                  |                    |   |    | 50 |    | 48 |    | 46 |    |    |    |    |    | 39 |    | 37 |    | 35 |    | 33 |    |    |    |    |
|          |                |                |                   |                  |                    | 73  |    |    |    |    |    | 29 |    |    |    |    |    | 23 |    | 21 |    |    |    |    |    |    | 17 |    |
| SALEABLE | NOT APPLICABLE | 34566-1673     | 0                 | A                | BLACK              | 72  | 71 | 70 | 69 | 68 | 67 | 66 | 65 | 64 | 63 | 62 |    | 60 | 59 |    |    |    |    | 55 | 54 | 53 |    |    |
|          |                |                |                   |                  |                    | 52  |    |    | 49 | 48 |    |    | 45 | 44 | 43 | 42 | 41 | 40 | 39 |    |    |    |    |    |    | 35 | 34 | 33 |
|          |                |                |                   |                  |                    | 73  |    |    |    |    |    | 29 |    |    |    | 27 |    | 25 | 24 | 23 |    |    |    |    |    |    | 19 | 18 |
| SALEABLE | NOT APPLICABLE | 34566-1683     | 0                 | B                | ST GRAY            |   |    |    |    |    |    | 67 | 66 |    |    | 63 |    |    | 59 | 58 | 57 | 56 | 55 |    | 53 |    |    |    |
|          |                |                |                   |                  |                    |   |    | 50 | 49 | 48 |    |    |    |    | 43 |    |    |    | 39 | 38 | 37 | 36 | 35 |    | 33 |    |    |    |
|          |                |                |                   |                  |                    | 73  |    |    |    |    |    | 29 |    |    |    | 27 |    |    |    | 23 | 22 | 21 |    |    |    |    |    |    |
| SALEABLE | NOT APPLICABLE | 34566-1693     | 0                 | B                | ST GRAY            |   |    |    |    |    |    | 66 |    | 64 |    |    |    | 59 |    | 57 |    | 55 |    | 53 |    |    |    |    |
|          |                |                |                   |                  |                    |   |    | 49 | 48 |    | 46 |    |    |    |    |    |    | 39 |    | 37 |    | 35 |    | 33 |    |    |    |    |
|          |                |                |                   |                  |                    | 73  |    |    |    |    |    | 29 |    |    |    |    |    |    | 23 |    | 21 |    |    |    |    |    | 17 |    |
| SALEABLE | NOT APPLICABLE | 34566-1713     | 0                 | B                | ST GRAY            |   | 71 | 70 |    | 68 |    | 66 | 65 | 64 | 63 |    | 60 | 59 | 58 | 57 | 56 | 55 | 54 | 53 |    |    |    |    |
|          |                |                |                   |                  |                    |   | 51 | 50 | 49 | 48 |    | 46 | 45 |    | 43 |    | 41 | 40 | 39 | 38 | 37 | 36 | 35 |    | 33 |    |    |    |
|          |                |                |                   |                  |                    | 73  |    |    |    |    |    | 32 | 31 | 30 |    |    |    | 24 | 23 | 22 |    | 20 | 19 |    |    |    |    |    |
| SALEABLE | NOT APPLICABLE | 34566-1723     | 0                 | B                | ST GRAY            |   | 71 | 70 |    | 68 |    | 66 | 65 |    |    |    | 60 | 59 | 58 | 57 |    |    | 54 | 53 |    |    |    |    |
|          |                |                |                   |                  |                    |   | 51 | 50 | 49 | 48 |    | 46 | 45 |    | 43 |    | 41 | 40 | 39 | 38 | 37 | 36 | 35 |    | 33 |    |    |    |
|          |                |                |                   |                  |                    | 73  |    |    |    |    |    | 32 | 31 | 30 |    |    |    | 24 | 23 | 22 |    | 20 |    |    |    |    |    |    |
| SALEABLE | NOT APPLICABLE | 34566-1733     | 0                 | A                | BLACK              |   |    | 70 |    | 68 | 67 | 66 | 65 |    |    |    |    | 58 | 57 |    |    | 55 |    |    |    |    |    |    |
|          |                |                |                   |                  |                    |   |    | 49 |    | 47 |    |    | 44 | 43 | 42 | 41 |    | 39 |    | 37 |    | 35 |    |    |    |    |    |    |
|          |                |                |                   |                  |                    | 73  |    |    |    |    |    | 32 |    | 30 |    |    | 27 |    | 25 | 24 |    | 21 | 20 | 19 | 18 | 17 |    |    |
| SALEABLE | NOT APPLICABLE | 34566-1743     | 0                 | A                | BLACK              |   |    | 70 |    | 67 | 66 | 65 |    |    |    |    | 58 | 57 |    |    | 55 |    |    |    |    |    |    |    |
|          |                |                |                   |                  |                    |   |    | 49 |    | 47 |    |    | 44 | 43 | 42 | 41 |    | 39 |    | 37 |    | 35 |    |    |    |    |    |    |
|          |                |                |                   |                  |                    | 73  |    |    |    |    |    | 32 |    | 30 |    |    | 27 |    | 25 | 24 |    | 21 | 20 | 19 | 18 | 17 |    |    |
| SALEABLE | NOT APPLICABLE | 34566-1753     | 0                 | A                | BLACK              |   |    | 70 |    | 67 | 66 | 65 |    |    |    |    | 58 | 57 |    |    | 55 |    |    |    |    |    |    |    |
|          |                |                |                   |                  |                    |   |    | 49 |    | 47 |    |    | 44 | 43 | 42 | 41 |    | 39 |    | 37 |    | 35 |    |    |    |    |    |    |
|          |                |                |                   |                  |                    | 73  |    |    |    |    |    | 32 |    |    |    | 27 |    | 25 | 24 |    | 21 | 20 | 19 | 18 | 17 |    |    |    |
| SALEABLE | NOT APPLICABLE | 34566-1763     | 0                 | B                | ST GRAY            |   |    | 70 |    | 67 | 66 | 65 |    |    |    |    | 58 | 57 |    |    | 55 |    |    |    |    |    |    |    |
|          |                |                |                   |                  |                    |   | 51 | 50 | 49 | 48 | 47 | 46 | 45 |    | 43 |    | 40 | 39 |    | 37 |    | 35 |    |    | 34 | 33 |    |    |
|          |                |                |                   |                  |                    | 73  |    |    |    |    |    | 32 | 31 | 30 |    |    |    | 26 | 25 | 24 | 23 | 22 | 21 | 20 |    |    |    |    |
| SALEABLE | NOT APPLICABLE | 34566-1773     | 0                 | C                | BLUE               | 72  |    | 70 |    |    |    | 67 | 66 |    |    | 63 | 62 |    |    | 59 |    | 57 |    |    | 53 |    |    |    |
|          |                |                |                   |                  |                    | 52  | 51 |    |    |    |    | 46 |    | 44 |    | 42 |    | 40 | 39 |    |    |    |    |    |    | 34 | 33 |    |
|          |                |                |                   |                  |                    | 73  |    |    |    |    |    | 30 |    |    |    | 27 | 26 | 25 |    |    | 22 | 21 | 20 |    |    |    |    |    |
| SALEABLE | NOT APPLICABLE | 34566-1783     | 0                 | C                | BLUE               |   |    | 70 |    |    |    | 67 | 66 |    |    | 63 | 62 |    |    | 59 |    | 57 |    |    | 53 |    |    |    |
|          |                |                |                   |                  |                    | 52  | 51 |    |    |    |    | 46 |    | 44 |    | 42 |    | 40 | 39 |    |    |    |    |    |    | 34 | 33 |    |
|          |                |                |                   |                  |                    | 73  |    |    |    |    |    | 30 |    |    |    | 26 | 25 |    |    | 22 | 21 | 20 |    |    |    |    |    |    |
| SALEABLE | NOT APPLICABLE | 34566-1793     | 0                 | A                | BLACK              |   |    |    | 69 |    |    |    |    |    |    | 63 | 62 | 61 |    |    | 58 | 57 | 56 | 55 | 54 | 53 |    |    |
|          |                |                |                   |                  |                    | 52  | 51 |    | 49 |    |    |    | 44 | 43 | 42 | 41 |    |    |    | 37 | 36 | 35 | 34 | 33 |    |    |    |    |
|          |                |                |                   |                  |                    | 73  |    |    |    |    |    | 32 |    |    | 29 | 28 | 27 | 26 |    |    |    |    |    |    |    | 19 | 18 |    |

MX123 52/66/73/80-WAY RECEPTACLE ASSY SEALED PIN OUT SHEET

| STATUS   | GM PART #      | HRNS CONN ASSY |                   |                  | TPA                | GROMMET CAP                                 |    |    |    |    |    |    |    |    |    |    |    |    |    |    |    |    |    |    |    |
|----------|----------------|----------------|-------------------|------------------|--------------------|---|----|----|----|----|----|----|----|----|----|----|----|----|----|----|----|----|----|----|----|
|          |                | MATERIAL/PART  | WIRE DRESS OPTION | KEY OPTION<br>Fp | COLOR OPTION<br>Fp | NUMBERS INDICATE CAVITIES OPEN FOR CIRCUITS |    |    |    |    |    |    |    |    |    |    |    |    |    |    |    |    |    |    |    |
|          |                | NUMBER         |                   |                  |                    |   |    |    |    |    |    |    |    |    |    |    |    |    |    |    |    |    |    |    |    |
| SALEABLE | NOT APPLICABLE | 34566-1813     | 0                 | B                | ST GRAY            | 72  | 71 | 70 |    | 68 | 67 | 66 |    |    |    | 62 | 61 | 60 | 59 | 58 | 57 | 56 | 55 | 54 | 53 |
|          |                |                |                   |                  |                    | 52  | 51 | 50 |    | 48 | 47 | 46 |    |    |    | 42 | 41 | 40 | 39 | 38 | 37 | 36 | 35 | 34 | 33 |
|          |                |                |                   |                  |                    | 73  |    |    |    | 32 | 31 | 30 | 29 | 28 | 27 | 26 | 25 | 24 | 23 |    |    |    |    |    |    |
|          |                |                |                   |                  |                    |   |    |    |    | 16 | 15 | 14 | 13 |    |    | 10 | 9  | 8  |    |    |    |    |    |    |    |
| SALEABLE | NOT APPLICABLE | 34566-1823     | 0                 | A                | BLACK              | 72  | 71 | 70 | 69 | 68 |    | 66 | 65 | 64 |    |    | 61 |    | 59 | 58 |    | 56 |    | 54 | 53 |
|          |                |                |                   |                  |                    | 52  |    | 50 | 49 |    | 47 |    |    |    |    | 42 | 41 |    |    | 38 | 37 | 36 |    | 34 | 33 |
|          |                |                |                   |                  |                    | 73  |    |    |    | 32 | 31 | 30 | 29 | 28 | 27 | 26 |    | 24 | 23 | 22 | 21 | 20 | 19 | 18 | 17 |
|          |                |                |                   |                  |                    |   |    |    |    | 16 |    |    | 13 | 12 | 11 | 10 | 9  | 8  |    |    |    |    |    |    | 1  |
| SALEABLE | NOT APPLICABLE | 34566-1833     | 0                 | A                | BLACK              |   |    |    |    | 68 |    |    | 65 |    | 63 |    | 61 |    | 59 | 58 |    | 56 |    |    |    |
|          |                |                |                   |                  |                    | 52  |    | 50 |    |    | 47 |    |    |    |    | 41 |    |    | 38 | 37 | 36 |    | 34 | 33 |    |
|          |                |                |                   |                  |                    | 73  |    |    |    | 32 | 31 | 30 | 29 | 28 | 27 |    | 25 | 24 | 23 |    |    | 20 | 19 | 18 | 17 |
|          |                |                |                   |                  |                    |   |    |    |    | 16 |    |    | 13 | 12 | 11 | 10 |    |    |    |    |    |    |    |    | 1  |
| SALEABLE | NOT APPLICABLE | 34566-1843     | 0                 | A                | BLACK              |   |    |    |    | 68 |    |    | 65 |    | 63 |    | 61 |    | 59 | 58 |    | 56 |    |    | 53 |
|          |                |                |                   |                  |                    | 52  |    | 50 |    |    | 47 |    |    |    |    | 41 |    |    | 38 | 37 | 36 |    | 34 | 33 |    |
|          |                |                |                   |                  |                    | 73  |    |    |    | 32 | 31 | 30 | 29 | 28 | 27 |    |    | 24 | 23 | 22 | 21 | 20 | 19 | 18 | 17 |
|          |                |                |                   |                  |                    |   |    |    |    | 16 | 15 | 14 | 13 | 12 | 11 | 10 |    |    |    |    |    |    |    |    | 1  |
| SALEABLE | NOT APPLICABLE | 34566-1853     | 0                 | A                | BLACK              | 72  |    | 70 | 69 | 68 | 67 |    | 65 |    | 63 |    | 61 | 60 |    |    | 57 | 56 | 55 | 54 | 53 |
|          |                |                |                   |                  |                    | 52  |    | 50 | 49 | 48 | 47 |    |    | 44 | 43 |    | 41 | 40 |    |    | 37 | 36 | 35 | 34 | 33 |
|          |                |                |                   |                  |                    | 73  |    |    |    |    |    | 30 | 29 | 28 |    |    | 25 | 24 |    |    | 21 | 20 | 19 | 18 | 17 |
|          |                |                |                   |                  |                    |   |    |    |    | 16 | 15 |    |    |    | 11 | 10 | 9  | 8  | 7  | 6  | 5  | 4  | 3  | 2  | 1  |
| SALEABLE | NOT APPLICABLE | 34566-1863     | 0                 | B                | ST GRAY            |   |    |    |    | 68 | 67 |    | 66 | 65 | 64 | 63 |    |    |    |    |    |    |    |    |    |
|          |                |                |                   |                  |                    |   |    |    |    |    |    | 46 | 45 |    | 43 |    |    |    |    |    |    |    |    |    |    |
|          |                |                |                   |                  |                    | 73  |    |    |    | 32 |    | 30 | 29 | 28 | 27 |    |    |    |    |    |    |    |    |    | 17 |
|          |                |                |                   |                  |                    |   |    |    |    | 16 |    |    |    |    |    | 10 |    |    |    |    |    |    |    |    |    |
| SALEABLE | NOT APPLICABLE | 34566-1873     | 0                 | C                | BLUE               | 72  |    | 70 |    |    | 67 | 66 |    |    | 63 | 62 |    |    | 59 |    | 57 |    |    |    | 53 |
|          |                |                |                   |                  |                    | 52  | 51 |    |    |    |    | 46 |    | 44 |    | 42 |    | 40 | 39 |    |    |    |    | 34 | 33 |
|          |                |                |                   |                  |                    | 73  |    |    |    | 32 |    | 30 |    |    | 27 | 26 | 25 |    |    | 22 | 21 | 20 |    |    |    |
|          |                |                |                   |                  |                    |   |    |    |    |    | 15 | 14 |    |    |    | 10 | 9  |    |    | 6  | 5  | 4  |    |    |    |
| SALEABLE | NOT APPLICABLE | 34566-1883     | 0                 | A                | BLACK              |   |    | 70 |    | 68 | 67 | 66 | 65 |    |    |    |    |    | 58 | 57 |    | 55 |    |    |    |
|          |                |                |                   |                  |                    |   |    | 49 |    |    | 47 |    |    | 44 | 43 | 42 | 41 | 40 | 39 |    | 37 |    | 35 |    |    |
|          |                |                |                   |                  |                    | 73  |    |    |    | 32 |    | 30 |    |    | 27 |    | 25 | 24 |    |    | 21 | 20 | 19 | 18 | 17 |
|          |                |                |                   |                  |                    |   |    |    |    | 16 | 15 |    | 13 |    |    | 10 | 9  | 8  |    | 6  | 5  |    | 3  | 2  | 1  |
| SALEABLE | NOT APPLICABLE | 34566-1893     | 0                 | C                | BLUE               | 72  |    | 70 |    |    |    | 66 |    |    | 63 |    |    | 59 |    | 57 |    |    |    |    | 53 |
|          |                |                |                   |                  |                    | 52  | 51 |    |    |    |    | 46 |    | 44 |    | 42 |    | 40 | 39 |    |    |    |    | 34 | 33 |
|          |                |                |                   |                  |                    | 73  |    |    |    | 32 |    | 30 |    |    | 27 | 26 | 25 |    |    | 22 | 21 | 20 |    |    |    |
|          |                |                |                   |                  |                    |   |    |    |    |    | 15 | 14 |    |    |    | 10 | 9  |    |    | 6  | 5  | 4  |    |    |    |
| SALEABLE | NOT APPLICABLE | 34566-1913     | 0                 | B                | ST GRAY            | 72  |    | 70 |    | 68 |    | 66 |    |    |    |    | 60 | 59 |    |    |    |    | 55 | 54 | 53 |
|          |                |                |                   |                  |                    | 52  |    | 50 |    | 48 |    | 46 |    |    |    | 40 | 39 |    |    |    |    |    | 35 | 34 | 33 |
|          |                |                |                   |                  |                    | 73  |    |    |    | 32 | 31 | 30 | 29 | 28 | 27 | 26 | 25 | 24 |    |    |    |    |    |    |    |
|          |                |                |                   |                  |                    |   |    |    |    | 16 |    |    |    |    |    | 10 | 9  | 8  |    |    |    |    |    |    |    |
| SALEABLE | NOT APPLICABLE | 34566-1923     | 0                 | A                | BLACK              |   |    |    | 69 |    |    |    |    |    | 63 |    |    |    | 58 |    | 56 | 55 | 54 | 53 |    |
|          |                |                |                   |                  |                    | 52  | 51 |    | 49 |    |    |    |    | 44 | 43 | 42 | 41 |    |    |    |    | 36 | 35 | 34 | 33 |
|          |                |                |                   |                  |                    | 73  |    |    |    | 32 |    |    |    | 28 |    | 26 |    |    |    |    |    |    | 19 | 18 |    |
|          |                |                |                   |                  |                    |   |    |    |    | 16 |    |    |    | 12 |    | 10 |    |    |    |    |    |    | 3  |    |    |
| SALEABLE | NOT APPLICABLE | 34566-1933     | 0                 | A                | BLACK              |   |    | 70 |    |    | 67 | 66 | 65 |    |    |    |    |    | 58 | 57 |    | 55 |    |    |    |
|          |                |                |                   |                  |                    |   |    | 49 |    |    | 47 |    |    | 44 | 43 | 42 | 41 | 40 | 39 |    | 37 |    | 35 |    |    |
|          |                |                |                   |                  |                    | 73  |    |    |    | 32 |    | 30 |    |    | 27 |    | 25 | 24 |    |    | 21 | 20 | 19 | 18 | 17 |
|          |                |                |                   |                  |                    |   |    |    |    | 16 | 15 |    | 13 |    |    | 10 | 9  | 8  |    | 6  | 5  |    | 3  | 2  | 1  |
| SALEABLE | NOT APPLICABLE | 34566-1943     | 0                 | A                | BLACK              |   |    | 70 |    |    | 67 | 66 | 65 |    |    |    |    |    | 58 | 57 |    | 55 |    |    |    |
|          |                |                |                   |                  |                    |   | 51 |    | 49 |    | 47 |    |    | 44 | 43 | 42 | 41 | 40 | 39 |    | 37 |    | 35 |    |    |
|          |                |                |                   |                  |                    | 73  |    |    |    | 32 |    | 30 |    |    | 27 |    | 25 | 24 |    |    | 21 | 20 | 19 | 18 | 17 |
|          |                |                |                   |                  |                    |   |    |    |    | 16 | 15 |    | 13 |    |    | 10 | 9  | 8  |    | 6  | 5  |    | 3  | 2  | 1  |
| SALEABLE | NOT APPLICABLE | 34566-1953     | 0                 | C                | BLUE               | 72  |    | 70 |    |    |    | 66 |    |    | 63 |    |    | 59 |    | 57 |    |    |    |    | 53 |
|          |                |                |                   |                  |                    | 52  | 51 |    |    | 48 | 47 | 46 |    | 44 |    | 42 |    | 40 | 39 |    |    |    |    | 34 | 33 |
|          |                |                |                   |                  |                    | 73  |    |    |    |    |    | 30 |    |    |    | 26 | 25 |    |    | 22 | 21 | 20 |    |    |    |
|          |                |                |                   |                  |                    |   |    |    |    |    | 15 | 14 |    |    |    | 10 | 9  |    |    | 6  | 5  | 4  |    |    |    |
| SALEABLE | NOT APPLICABLE | 34566-1963     | 0                 | C                | BLUE               | 72  |    | 70 |    |    |    | 66 |    |    | 63 |    |    | 59 |    | 57 |    |    |    |    | 53 |
|          |                |                |                   |                  |                    | 52  | 51 |    |    |    |    | 46 |    | 44 |    | 42 |    | 40 | 39 |    |    |    |    | 34 | 33 |
|          |                |                |                   |                  |                    | 73  |    |    |    |    |    | 30 |    |    |    | 26 | 25 |    |    | 22 | 21 | 20 |    |    |    |
|          |                |                |                   |                  |                    |   |    |    |    |    | 15 | 14 |    |    |    | 10 | 9  |    |    | 6  | 5  | 4  |    |    |    |

MX123 52/66/73/80-WAY RECEPTACLE ASSY SEALED PIN OUT SHEET

| STATUS   | GM PART #      | HRNS CONN ASSY |                   |                  | TPA                | GROMMET CAP                                 |    |    |    |    |    |    |    |    |    |    |    |    |    |    |    |    |    |    |    |    |    |    |
|----------|----------------|----------------|-------------------|------------------|--------------------|---|----|----|----|----|----|----|----|----|----|----|----|----|----|----|----|----|----|----|----|----|----|----|
|          |                | MATERIAL/PART  | WIRE DRESS OPTION | KEY OPTION<br>Fp | COLOR OPTION<br>Fp | NUMBERS INDICATE CAVITIES OPEN FOR CIRCUITS |    |    |    |    |    |    |    |    |    |    |    |    |    |    |    |    |    |    |    |    |    |    |
|          |                | NUMBER         |                   |                  |                    | Fp  |    |    |    |    |    |    |    |    |    |    |    |    |    |    |    |    |    |    |    |    |    |    |
| SALEABLE | NOT APPLICABLE | 34566-1973     | 0                 | A                | BLACK              | 52  | 51 |    | 69 |    |    |    |    |    |    |    |    |    |    |    |    |    | 56 | 55 | 54 | 53 |    |    |
|          |                |                |                   |                  |                    |   |    |    | 49 |    |    |    |    |    | 44 | 63 | 42 | 41 |    |    |    |    |    |    | 36 | 35 | 34 | 33 |
|          |                |                |                   |                  |                    | 73  |    |    |    | 32 |    |    |    | 28 |    | 26 |    |    | 23 |    |    |    |    | 21 |    |    | 19 | 18 |
| SALEABLE | NOT APPLICABLE | 34566-1983     | 0                 | B                | ST GRAY            |   |    |    |    |    |    |    |    |    |    |    |    |    |    |    |    |    |    |    |    |    |    |    |
|          |                |                |                   |                  |                    | 73  |    |    |    |    |    |    |    |    |    |    |    |    |    |    |    |    |    |    |    |    |    |    |
|          |                |                |                   |                  |                    |   |    |    |    |    |    |    |    |    |    |    |    |    |    |    |    |    |    |    |    |    |    |    |
| SALEABLE | NOT APPLICABLE | 34566-1993     | 0                 | C                | BLUE               |   |    |    |    |    |    |    |    |    |    |    |    |    |    |    |    |    |    |    |    |    |    |    |
|          |                |                |                   |                  |                    | 73  |    |    |    |    |    |    |    |    |    |    |    |    |    |    |    |    |    |    |    |    |    |    |
|          |                |                |                   |                  |                    |   |    |    |    |    |    |    |    |    |    |    |    |    |    |    |    |    |    |    |    |    |    |    |
| SALEABLE | NOT APPLICABLE | 34566-2013     | 0                 | A                | BLACK              |   | 71 | 70 |    |    |    |    | 65 |    |    |    |    | 60 | 59 | 58 | 57 |    |    |    | 54 | 53 |    |    |
|          |                |                |                   |                  |                    |   | 51 | 50 | 49 | 48 |    | 46 | 45 |    | 43 |    | 41 | 40 | 39 |    | 37 | 36 | 35 |    |    |    |    | 33 |
|          |                |                |                   |                  |                    | 73  |    |    |    | 32 | 31 | 30 |    |    |    |    |    | 24 | 23 | 22 |    | 20 |    |    |    |    |    |    |
| SALEABLE | NOT APPLICABLE | 34566-2023     | 0                 | A                | BLACK              |   |    | 70 |    | 68 | 67 | 66 | 65 |    |    |    |    |    |    | 58 | 57 |    |    |    | 55 |    |    |    |
|          |                |                |                   |                  |                    |   |    |    | 49 |    | 47 |    |    | 44 | 43 | 42 | 41 |    | 39 |    | 37 |    | 35 |    |    |    |    |    |
|          |                |                |                   |                  |                    | 73  |    |    |    | 32 |    | 30 |    |    |    | 27 |    | 25 | 24 |    |    | 21 | 20 | 19 | 18 | 17 |    |    |
| SALEABLE | NOT APPLICABLE | 34566-2033     | 0                 | A                | BLACK              |   | 71 | 70 |    |    |    |    | 65 | 64 |    |    |    | 60 | 59 | 58 | 57 |    |    |    | 54 | 53 |    |    |
|          |                |                |                   |                  |                    |   | 51 | 50 | 49 | 48 |    | 46 | 45 |    | 43 |    | 41 | 40 | 39 |    | 37 | 36 | 35 |    |    |    |    | 33 |
|          |                |                |                   |                  |                    | 73  |    |    |    | 32 | 31 | 30 |    |    |    |    |    | 24 | 23 | 22 |    | 20 |    |    |    |    |    |    |
| SALEABLE | NOT APPLICABLE | 34566-2043     | 0                 | A                | BLACK              |   |    | 70 |    |    | 67 | 66 | 65 |    |    |    |    |    | 58 | 57 |    |    |    | 55 |    |    |    |    |
|          |                |                |                   |                  |                    |   |    |    | 49 |    | 47 |    |    | 44 | 43 | 42 | 41 |    | 39 |    | 37 |    | 35 |    |    |    |    |    |
|          |                |                |                   |                  |                    | 73  |    |    |    | 32 |    | 30 |    |    |    | 27 |    | 25 | 24 |    |    | 21 | 20 | 19 | 18 | 17 |    |    |
| SALEABLE | NOT APPLICABLE | 34566-2053     | 0                 | B                | ST GRAY            |   |    | 70 |    | 68 | 67 | 66 | 65 |    |    |    |    |    | 58 | 57 |    |    |    | 55 |    |    |    |    |
|          |                |                |                   |                  |                    |   |    |    | 49 |    | 47 |    |    | 44 | 43 | 42 | 41 |    | 39 |    | 37 |    | 35 |    |    |    |    |    |
|          |                |                |                   |                  |                    | 73  |    |    |    | 32 |    | 30 |    |    |    | 27 |    | 25 | 24 | 23 |    | 21 | 20 | 19 | 18 |    |    |    |
| SALEABLE | NOT APPLICABLE | 34566-2063     | 0                 | H                | ST GRAY            |   |    | 78 |    |    |    |    |    | 72 | 71 | 70 | 69 | 68 |    | 66 | 65 | 64 | 63 |    | 61 |    |    |    |
|          |                |                |                   |                  |                    |   |    | 58 | 57 | 56 |    |    | 53 | 52 |    | 50 |    |    |    |    |    | 44 | 43 |    |    |    | 41 |    |
|          |                |                |                   |                  |                    | 40  |    |    | 37 |    | 35 | 34 |    |    | 32 |    | 30 | 29 |    | 27 | 26 |    |    |    |    |    | 22 | 21 |
| SALEABLE | NOT APPLICABLE | 34566-2073     | 0                 | H                | ST GRAY            |   |    | 78 |    |    |    |    |    | 72 | 71 | 70 | 69 | 68 |    | 66 | 65 | 64 | 63 |    | 61 |    |    |    |
|          |                |                |                   |                  |                    |   |    | 58 | 57 | 56 |    |    | 53 | 52 |    | 50 |    |    |    |    |    | 44 | 43 |    |    |    | 41 |    |
|          |                |                |                   |                  |                    | 40  |    |    | 37 |    | 35 | 34 |    |    | 32 |    | 30 | 29 |    | 27 | 26 |    |    |    |    |    | 22 | 21 |
| SALEABLE | NOT APPLICABLE | 34566-2083     | 0                 | H                | ST GRAY            |   |    | 78 |    |    |    |    |    | 72 | 71 | 70 | 69 | 68 | 67 | 66 | 65 | 64 | 63 |    | 61 |    |    |    |
|          |                |                |                   |                  |                    |   |    | 58 | 57 | 56 |    |    | 53 | 52 | 51 | 50 |    |    |    |    |    | 44 | 43 |    |    |    | 41 |    |
|          |                |                |                   |                  |                    | 40  |    |    | 37 |    | 35 | 34 |    |    | 32 |    | 30 | 29 |    | 27 | 26 |    |    |    |    |    | 22 | 21 |
| SALEABLE | NOT APPLICABLE | 34566-2093     | 0                 | A                | BLACK              |   |    |    |    | 68 |    |    | 65 |    | 63 |    | 61 |    | 59 | 58 |    |    | 56 |    |    |    |    |    |
|          |                |                |                   |                  |                    | 52  |    | 50 |    |    | 47 |    |    |    |    | 41 |    |    | 38 | 37 | 36 |    |    | 34 | 33 |    |    |    |
|          |                |                |                   |                  |                    | 73  |    |    |    | 32 | 31 | 30 | 29 | 28 | 27 |    | 25 | 24 | 23 |    |    | 20 | 19 | 18 | 17 |    |    |    |
| SALEABLE | NOT APPLICABLE | 34566-2113     | 0                 | H                | ST GRAY            |   | 79 | 78 | 77 | 76 | 75 | 74 | 73 | 72 | 71 | 70 | 69 | 68 |    | 66 | 65 | 64 | 63 |    | 61 |    |    |    |
|          |                |                |                   |                  |                    | 60  | 59 | 58 | 57 | 56 | 55 |    | 53 | 52 |    | 50 |    |    |    |    |    | 44 | 43 | 42 | 41 |    |    |    |
|          |                |                |                   |                  |                    | 40  | 39 | 38 | 37 |    | 35 | 34 | 33 | 32 |    | 30 | 29 |    | 27 | 26 |    |    |    |    |    |    | 22 | 21 |
| SALEABLE | NOT APPLICABLE | 34566-2123     | 0                 | H                | ST GRAY            |   | 79 | 78 | 77 | 76 | 75 | 74 | 73 | 72 | 71 | 70 | 69 | 68 |    | 66 | 65 | 64 | 63 |    | 61 |    |    |    |
|          |                |                |                   |                  |                    | 60  | 59 | 58 | 57 | 56 | 55 |    | 53 | 52 |    | 50 |    |    |    |    |    | 44 | 43 | 42 | 41 |    |    |    |
|          |                |                |                   |                  |                    | 40  | 39 | 38 | 37 |    | 35 | 34 | 33 | 32 |    | 30 | 29 |    | 27 | 26 |    |    |    |    |    |    | 22 | 21 |
| SALEABLE | NOT APPLICABLE | 34566-2133     | 0                 | B                | ST GRAY            |   | 71 | 70 |    |    |    |    | 65 | 64 |    |    |    | 60 | 59 | 58 | 57 |    |    | 55 | 54 | 53 |    |    |
|          |                |                |                   |                  |                    |   | 51 | 50 | 49 | 48 |    | 46 | 45 |    | 43 |    | 41 | 40 | 39 |    | 37 | 36 | 35 |    |    |    |    | 33 |
|          |                |                |                   |                  |                    | 73  |    |    |    | 32 | 31 | 30 |    |    |    |    |    | 24 | 23 | 22 |    | 20 |    |    |    |    |    |    |

MX123 52/66/73/80-WAY RECEPTACLE ASSY SEALED PIN OUT SHEET

| STATUS   | GM PART #      | HRNS CONN ASSY |                   |                  | TPA                | GROMMET CAP                                 |    |    |    |    |    |    |    |    |    |    |    |    |    |    |    |    |    |    |    |    |
|----------|----------------|----------------|-------------------|------------------|--------------------|---|----|----|----|----|----|----|----|----|----|----|----|----|----|----|----|----|----|----|----|----|
|          |                | MATERIAL/PART  | WIRE DRESS OPTION | KEY OPTION<br>Fp | COLOR OPTION<br>Fp | NUMBERS INDICATE CAVITIES OPEN FOR CIRCUITS |    |    |    |    |    |    |    |    |    |    |    |    |    |    |    |    |    |    |    |    |
|          |                | NUMBER         |                   |                  |                    | Fp  |    |    |    |    |    |    |    |    |    |    |    |    |    |    |    |    |    |    |    |    |
| SALEABLE | NOT APPLICABLE | 34566-2143     | 0                 | B                | ST GRY             | 71  | 70 |    |    |    |    | 65 |    |    |    | 60 | 59 | 58 | 57 |    |    | 54 | 53 |    |    |    |
|          |                |                |                   |                  |                    | 51  | 50 | 49 | 48 |    | 46 | 45 |    | 43 |    | 41 | 40 | 39 |    | 37 | 36 | 35 |    |    | 33 |    |
|          |                |                |                   |                  |                    | 73  |    |    | 32 | 31 | 30 |    |    |    |    | 24 | 23 | 22 |    | 20 |    |    |    |    |    |    |
| SALEABLE | NOT APPLICABLE | 34566-2153     | 0                 | A                | BLACK              |   |    | 70 |    | 68 | 67 | 66 | 65 |    |    |    |    | 58 | 57 |    | 55 |    |    |    |    |    |
|          |                |                |                   |                  |                    |   |    | 49 |    | 47 |    |    | 44 | 43 | 42 | 41 |    | 39 |    | 37 |    |    |    |    |    |    |
|          |                |                |                   |                  |                    | 73  |    |    | 32 |    | 30 |    |    | 27 |    | 25 | 24 | 23 |    | 21 | 20 | 19 | 18 |    |    |    |
| SALEABLE | NOT APPLICABLE | 34566-2163     | 0                 | A                | BLACK              |   |    | 70 |    |    | 67 | 66 |    |    |    | 61 |    | 58 |    | 55 | 54 |    |    |    |    |    |
|          |                |                |                   |                  |                    |   |    | 49 |    | 47 |    | 45 | 44 | 43 | 42 | 41 |    | 39 |    | 37 |    |    | 34 |    |    |    |
|          |                |                |                   |                  |                    | 73  |    |    | 32 |    |    |    |    | 27 |    | 24 |    |    | 21 | 20 | 19 | 18 | 17 |    |    |    |
| SALEABLE | NOT APPLICABLE | 34566-2173     | 0                 | A                | BLACK              |   |    | 70 |    |    | 67 | 66 | 65 |    |    | 61 |    | 58 |    | 55 | 54 |    |    |    |    |    |
|          |                |                |                   |                  |                    |   |    | 49 |    | 47 |    | 45 | 44 | 43 | 42 | 41 |    | 39 |    | 37 |    |    | 34 |    |    |    |
|          |                |                |                   |                  |                    | 73  |    |    | 32 |    | 30 |    |    | 27 |    | 25 | 24 |    | 21 | 20 | 19 | 18 | 17 |    |    |    |
| SALEABLE | NOT APPLICABLE | 34566-2183     | 0                 | A                | BLACK              |   |    | 70 |    |    | 67 | 66 |    |    |    |    | 58 | 57 |    | 55 |    |    |    |    |    |    |
|          |                |                |                   |                  |                    |   |    | 49 |    | 47 |    |    | 44 | 43 | 42 | 41 |    | 39 |    | 37 |    |    |    |    |    |    |
|          |                |                |                   |                  |                    | 73  |    |    | 32 |    |    |    |    | 27 |    | 24 |    |    | 21 | 20 | 19 | 18 | 17 |    |    |    |
| SALEABLE | NOT APPLICABLE | 34566-2193     | 0                 | A                | BLACK              |   |    | 70 |    |    | 67 | 66 | 65 |    |    |    | 58 | 57 |    | 55 |    |    |    |    |    |    |
|          |                |                |                   |                  |                    |   |    | 49 |    | 47 |    |    | 44 | 43 | 42 | 41 |    | 39 |    | 37 |    |    | 34 |    |    |    |
|          |                |                |                   |                  |                    | 73  |    |    | 32 |    | 30 |    |    | 27 |    | 25 | 24 |    | 21 | 20 | 19 | 18 | 17 |    |    |    |
| SALEABLE | NOT APPLICABLE | 34566-2213     | 9                 | H                | ST GRY             |   | 79 | 78 | 77 | 76 | 75 | 74 | 73 | 72 | 71 | 70 | 69 | 68 |    | 66 | 65 | 64 | 63 |    | 61 |    |
|          |                |                |                   |                  |                    | 60  | 59 | 58 | 57 | 56 |    |    | 53 |    |    | 50 |    |    |    |    |    |    | 44 | 43 |    | 41 |
|          |                |                |                   |                  |                    | 40  | 39 | 38 | 37 |    | 35 | 34 | 33 | 32 |    | 30 | 29 |    | 27 | 26 |    |    | 24 | 23 | 22 | 21 |
| SALEABLE | NOT APPLICABLE | 34566-2223     | 0                 | A                | BLACK              | 72  | 71 | 70 | 69 | 68 | 67 | 66 |    | 64 | 63 | 62 |    | 60 | 59 |    |    | 55 | 54 | 53 |    |    |
|          |                |                |                   |                  |                    | 52  |    |    | 49 | 48 |    | 46 |    | 44 | 43 | 42 |    | 40 | 39 |    |    |    | 35 | 34 | 33 |    |
|          |                |                |                   |                  |                    | 73  |    |    | 32 |    |    | 29 |    | 27 |    | 24 | 23 |    |    |    |    | 19 | 18 | 17 |    |    |
| SALEABLE | NOT APPLICABLE | 34566-2233     | 0                 | A                | BLACK              |   |    |    | 69 |    |    |    |    |    | 63 |    |    |    | 58 |    | 56 | 55 | 54 | 53 |    |    |
|          |                |                |                   |                  |                    | 52  | 51 |    | 49 |    |    |    | 44 | 43 | 42 | 41 |    |    |    |    |    | 36 | 35 | 34 | 33 |    |
|          |                |                |                   |                  |                    | 73  |    |    | 32 |    |    |    | 28 |    | 26 |    |    |    |    |    |    |    | 19 | 18 |    |    |
| SALEABLE | NOT APPLICABLE | 34566-2243     | 0                 | H                | ST GRY             |   | 79 | 78 | 77 | 76 | 75 | 74 | 73 | 72 | 71 | 70 | 69 | 68 |    | 66 | 65 | 64 | 63 |    | 61 |    |
|          |                |                |                   |                  |                    | 60  | 59 | 58 | 57 | 56 |    |    | 53 | 52 |    | 50 |    |    |    |    |    |    | 44 | 43 |    | 41 |
|          |                |                |                   |                  |                    | 40  | 39 | 38 | 37 |    | 35 | 34 | 33 | 32 |    | 30 | 29 |    | 27 | 26 |    |    | 24 | 23 | 22 | 21 |
| SALEABLE | NOT APPLICABLE | 34566-2253     | 0                 | A                | BLACK              | 72  | 71 | 70 | 69 | 68 |    | 66 | 65 | 64 | 63 |    | 61 |    | 59 | 58 |    | 56 | 55 | 54 | 53 |    |
|          |                |                |                   |                  |                    | 52  |    | 50 | 49 |    | 47 |    |    |    | 42 | 41 |    |    | 38 | 37 | 36 |    | 34 | 33 |    |    |
|          |                |                |                   |                  |                    | 73  |    |    | 32 | 31 | 30 | 29 | 28 | 27 | 26 |    | 24 | 23 | 22 | 21 | 20 | 19 | 18 | 17 |    |    |
| SALEABLE | NOT APPLICABLE | 34566-2263     | 0                 | A                | BLACK              |   |    |    | 69 |    |    |    |    |    | 63 |    |    |    | 58 |    | 56 | 55 | 54 | 53 |    |    |
|          |                |                |                   |                  |                    | 52  | 51 | 50 | 49 |    |    |    | 44 | 43 | 42 | 41 |    |    |    |    |    | 36 | 35 | 34 | 33 |    |
|          |                |                |                   |                  |                    | 73  |    |    | 32 |    |    |    | 28 |    | 26 |    |    |    |    |    |    |    | 19 | 18 |    |    |
| SALEABLE | NOT APPLICABLE | 34566-2273     | 0                 | A                | BLACK              |   |    |    | 69 |    |    |    |    |    | 63 | 62 | 61 |    | 58 | 57 | 56 | 55 | 54 | 53 |    |    |
|          |                |                |                   |                  |                    | 52  | 51 | 50 | 49 |    |    |    | 44 | 43 | 42 | 41 |    |    |    |    | 37 | 36 | 35 | 34 | 33 |    |
|          |                |                |                   |                  |                    | 73  |    |    | 32 |    |    | 29 | 28 | 27 | 26 |    |    |    |    |    |    |    | 19 | 18 |    |    |
| SALEABLE | NOT APPLICABLE | 34566-2283     | 0                 | B                | ST GRY             |   |    |    | 49 | 68 | 67 | 66 | 65 | 64 | 63 |    |    |    |    |    | 55 |    |    |    |    |    |
|          |                |                |                   |                  |                    |   |    |    | 48 |    | 46 | 45 | 44 | 43 |    |    |    |    |    |    |    |    |    |    |    |    |
|          |                |                |                   |                  |                    | 73  |    |    | 32 |    | 30 | 29 | 28 | 27 |    |    |    |    |    |    |    |    |    |    |    |    |
| SALEABLE | NOT APPLICABLE | 34566-2293     | 0                 | C                | BLUE               | 72  |    | 70 |    | 68 |    | 66 |    |    | 63 |    |    |    | 59 |    | 57 |    |    | 53 |    |    |
|          |                |                |                   |                  |                    | 52  | 51 |    |    | 48 | 47 | 46 |    | 44 |    | 42 |    | 40 | 39 |    |    |    |    |    | 34 | 33 |
|          |                |                |                   |                  |                    | 73  |    |    |    |    | 30 |    |    |    | 26 | 25 |    |    | 22 | 21 |    |    |    |    |    |    |





MX123 52/66/73/80-WAY RECEPTACLE ASSY SEALED PIN OUT SHEET

| STATUS   | GM PART #      | HRNS CONN ASSY                          |                   |                  | TPA                | GROMMET CAP                                 |    |    |    |    |    |    |    |    |    |    |    |    |    |    |    |    |    |    |    |    |    |    |
|----------|----------------|---|-------------------|------------------|--------------------|---|----|----|----|----|----|----|----|----|----|----|----|----|----|----|----|----|----|----|----|----|----|----|
|          |                | MATERIAL/PART                           | WIRE DRESS OPTION | KEY OPTION<br>Fp | COLOR OPTION<br>Fp | NUMBERS INDICATE CAVITIES OPEN FOR CIRCUITS |    |    |    |    |    |    |    |    |    |    |    |    |    |    |    |    |    |    |    |    |    |    |
|          |                | NUMBER                                  |                   |                  |                    | Fp  |    |    |    |    |    |    |    |    |    |    |    |    |    |    |    |    |    |    |    |    |    |    |
| SALEABLE | NOT APPLICABLE | 34566-2473                              | 0                 | A                | BLACK              |   |    | 70 |    | 68 | 67 | 66 | 65 |    |    |    |    |    | 58 | 57 |    | 55 |    |    |    |    |    |    |
|          |                |   |                   |                  |                    |   |    | 49 |    |    | 47 |    | 30 |    |    | 44 | 43 | 42 | 41 |    | 39 |    |    | 37 |    | 35 |    |    |
|          |                |   |                   |                  |                    | 73  |    |    |    |    |    | 32 |    |    |    |    |    | 27 |    | 25 | 24 |    |    | 21 | 20 | 19 | 18 | 17 |
| SALEABLE | NOT APPLICABLE | 34566-2483                              | 0                 | A                | BLACK              |   |    |    | 69 |    |    |    |    |    |    | 63 | 62 | 61 |    |    | 58 | 57 | 56 | 55 | 54 | 53 |    |    |
|          |                |   |                   |                  |                    | 52  | 51 |    | 49 |    |    |    |    | 44 | 43 | 42 | 41 |    |    |    |    | 37 | 36 | 35 | 34 | 33 |    |    |
|          |                |   |                   |                  |                    | 73  |    |    |    |    |    | 32 |    |    | 29 | 28 | 27 | 26 |    |    | 23 |    |    |    |    | 19 | 18 |    |
| SALEABLE | NOT APPLICABLE | 34566-2493<br>SAME AS P/N<br>34566-3863 | 0                 | B                | ST GRAY            | 72  | 71 | 70 |    | 68 | 67 | 66 |    |    |    | 62 | 61 | 60 | 59 | 58 | 57 | 56 | 55 | 54 | 53 |    |    |    |
|          |                |   |                   |                  |                    | 52  | 51 | 50 |    | 48 | 47 | 46 |    |    |    | 42 | 41 | 40 | 39 | 38 | 37 | 36 | 35 | 34 | 33 |    |    |    |
|          |                |   |                   |                  |                    | 73  |    |    |    |    |    | 32 | 31 | 30 | 29 | 28 | 27 | 26 | 25 | 24 |    |    |    |    |    |    |    | 2  |
| SALEABLE | NOT APPLICABLE | 34566-2513                              | 0                 | C                | BLUE               | 72  |    | 70 |    | 68 | 67 | 66 |    |    | 63 | 62 |    |    | 59 |    | 57 |    |    |    | 53 |    |    |    |
|          |                |   |                   |                  |                    | 52  | 51 |    |    | 48 | 47 | 46 |    | 44 |    | 42 |    | 40 | 39 |    |    |    |    |    |    | 34 | 33 |    |
|          |                |   |                   |                  |                    | 73  |    |    |    |    |    | 32 |    | 30 |    |    | 27 | 26 | 25 |    |    | 22 | 21 | 20 |    |    |    |    |
| SALEABLE | NOT APPLICABLE | 34566-2523                              | 0                 | A                | BLACK              | 72  | 71 | 70 | 69 | 68 | 67 | 66 | 65 | 64 | 63 | 62 |    | 60 | 59 |    |    |    |    | 55 | 54 | 53 |    |    |
|          |                |   |                   |                  |                    | 52  |    |    | 49 | 48 |    |    | 45 | 44 | 43 | 42 | 41 | 40 | 39 |    |    |    |    |    |    | 35 | 34 | 33 |
|          |                |   |                   |                  |                    | 73  |    |    |    |    |    | 32 |    |    | 29 | 28 | 27 |    | 25 | 24 | 23 |    |    |    |    |    | 19 | 18 |
| SALEABLE | NOT APPLICABLE | 34566-2533                              | 0                 | B                | ST GRAY            |   |    |    |    |    | 67 | 66 | 65 |    |    | 63 |    |    | 59 | 58 | 57 | 56 | 55 | 54 | 53 |    |    |    |
|          |                |   |                   |                  |                    |   |    | 50 | 49 | 48 |    | 46 | 45 |    | 43 |    |    |    | 39 | 38 | 37 | 36 | 35 | 34 | 33 |    |    |    |
|          |                |   |                   |                  |                    | 73  |    |    |    |    |    |    |    | 29 |    | 27 |    |    |    | 23 | 22 | 21 |    |    |    |    | 18 |    |
| SALEABLE | NOT APPLICABLE | 34566-2543                              | 0                 | C                | BLUE               | 72  |    | 70 |    |    |    | 66 |    |    | 63 |    |    | 59 |    | 57 |    |    |    |    | 53 |    |    |    |
|          |                |   |                   |                  |                    | 52  | 51 |    |    |    |    | 46 |    | 44 |    | 42 |    | 40 | 39 |    |    |    |    |    |    | 34 | 33 |    |
|          |                |   |                   |                  |                    | 73  |    |    |    |    |    | 32 |    | 30 |    |    | 27 | 26 | 25 |    |    | 22 | 21 |    |    |    |    |    |
| SALEABLE | NOT APPLICABLE | 34566-2553                              | 9                 | B                | ST GRAY            | 72  | 71 | 70 |    | 68 | 67 | 66 |    |    |    | 62 | 61 | 60 | 59 | 58 | 57 | 56 | 55 | 54 | 53 |    |    |    |
|          |                |   |                   |                  |                    | 52  | 51 | 50 |    | 48 | 47 | 46 |    |    |    | 42 | 41 | 40 | 39 | 38 | 37 | 36 | 35 | 34 | 33 |    |    |    |
|          |                |   |                   |                  |                    | 73  |    |    |    |    |    | 32 | 31 | 30 | 29 | 28 | 27 | 26 | 25 | 24 | 23 |    |    |    |    |    |    |    |
| SALEABLE | NOT APPLICABLE | 34566-2563                              | 9                 | A                | BLACK              |   |    |    | 69 |    |    |    |    |    | 63 | 62 | 61 |    |    | 58 | 57 | 56 | 55 | 54 | 53 |    |    |    |
|          |                |   |                   |                  |                    | 52  | 51 | 50 | 49 |    |    |    |    | 44 | 43 | 42 | 41 |    | 39 |    |    | 37 | 36 | 35 | 34 | 33 |    |    |
|          |                |   |                   |                  |                    | 73  |    |    |    |    |    | 32 |    |    | 29 | 28 | 27 | 26 |    |    |    |    |    |    |    | 19 | 18 |    |
| SALEABLE | NOT APPLICABLE | 34566-2573                              | 9                 | C                | BLUE               | 72  |    | 70 |    |    | 67 | 66 |    |    | 63 | 62 |    |    | 59 |    | 57 |    |    |    | 53 |    |    |    |
|          |                |   |                   |                  |                    | 52  | 51 |    |    |    |    | 46 |    | 44 |    | 42 |    | 40 | 39 |    |    |    |    |    |    | 34 | 33 |    |
|          |                |   |                   |                  |                    | 73  |    |    |    |    |    |    | 30 |    |    |    | 26 | 25 |    |    | 22 | 21 | 20 |    |    |    |    |    |
| SALEABLE | NOT APPLICABLE | 34566-2583                              | 0                 | A                | BLACK              |   |    |    | 69 |    |    |    |    |    | 63 |    |    |    | 58 | 57 | 56 | 55 | 54 | 53 |    |    |    |    |
|          |                |   |                   |                  |                    | 52  | 51 | 50 | 49 |    |    |    |    | 44 | 43 | 42 | 41 |    | 39 |    |    |    |    | 36 | 35 | 34 | 33 |    |
|          |                |   |                   |                  |                    | 73  |    |    |    |    |    | 32 |    |    | 28 |    | 26 |    |    |    |    |    |    |    |    | 19 | 18 |    |
| SALEABLE | NOT APPLICABLE | 34566-2593                              | 0                 | C                | BLUE               | 72  |    | 70 |    |    |    | 66 |    |    | 63 | 62 |    |    | 59 |    | 57 |    |    |    | 53 |    |    |    |
|          |                |   |                   |                  |                    | 52  | 51 |    |    |    |    | 46 |    | 44 |    | 42 |    | 40 | 39 |    |    |    |    |    |    | 34 | 33 |    |
|          |                |   |                   |                  |                    | 73  |    |    |    |    |    | 32 |    | 30 |    |    | 27 | 26 | 25 |    |    | 22 | 21 |    |    |    |    |    |
| SALEABLE | NOT APPLICABLE | 34566-2613                              | 9                 | C                | BLUE               | 72  |    | 70 |    |    | 67 | 66 |    |    | 63 | 62 |    |    | 59 |    | 57 |    |    |    | 53 |    |    |    |
|          |                |   |                   |                  |                    | 52  | 51 |    |    |    |    | 46 |    | 44 |    | 42 |    | 40 | 39 |    |    |    |    |    |    | 34 | 33 |    |
|          |                |   |                   |                  |                    | 73  |    |    |    |    |    |    | 30 |    |    |    | 27 | 26 | 25 |    |    | 22 | 21 | 20 |    |    |    |    |
| SALEABLE | NOT APPLICABLE | 34566-2623                              | 0                 | A                | BLACK              |   | 71 |    | 69 | 68 | 67 |    | 65 | 64 | 63 |    | 61 |    | 59 |    | 57 | 56 |    |    |    |    |    |    |
|          |                |   |                   |                  |                    |   |    | 50 | 49 |    | 47 |    |    |    |    | 41 |    |    | 38 | 37 | 36 |    |    |    | 34 | 33 |    |    |
|          |                |   |                   |                  |                    | 73  |    |    |    |    |    | 32 | 31 | 30 | 29 | 28 | 27 |    | 24 | 23 |    |    |    |    | 20 | 19 | 18 |    |
| SALEABLE | NOT APPLICABLE | 34566-2633                              | 0                 | A                | BLACK              |   | 71 |    | 69 | 68 | 67 |    | 65 | 64 |    |    | 61 |    | 59 |    | 57 | 56 |    |    |    |    |    |    |
|          |                |   |                   |                  |                    |   |    | 50 | 49 |    | 47 |    |    |    |    | 41 |    |    | 38 | 37 | 36 |    |    |    |    | 33 |    |    |
|          |                |   |                   |                  |                    | 73  |    |    |    |    |    | 32 | 31 | 30 | 29 | 28 | 27 |    | 24 | 23 |    |    |    |    | 20 | 19 | 18 |    |

MX123 52/66/73/80-WAY RECEPTACLE ASSY SEALED PIN OUT SHEET

| STATUS   | GM PART #      | HRNS CONN ASSY |                   |                  | TPA                | GROMMET CAP                                 |    |    |    |    |    |    |    |    |    |    |    |    |    |    |    |    |    |    |    |    |    |    |    |    |    |    |    |    |    |    |    |    |    |    |    |    |    |    |    |    |    |    |    |    |    |    |    |    |    |    |    |    |    |    |    |    |    |    |    |   |   |
|----------|----------------|----------------|-------------------|------------------|--------------------|---|----|----|----|----|----|----|----|----|----|----|----|----|----|----|----|----|----|----|----|----|----|----|----|----|----|----|----|----|----|----|----|----|----|----|----|----|----|----|----|----|----|----|----|----|----|----|----|----|----|----|----|----|----|----|----|----|----|----|----|---|---|
|          |                | MATERIAL/PART  | WIRE DRESS OPTION | KEY OPTION<br>Fp | COLOR OPTION<br>Fp | NUMBERS INDICATE CAVITIES OPEN FOR CIRCUITS |    |    |    |    |    |    |    |    |    |    |    |    |    |    |    |    |    |    |    |    |    |    |    |    |    |    |    |    |    |    |    |    |    |    |    |    |    |    |    |    |    |    |    |    |    |    |    |    |    |    |    |    |    |    |    |    |    |    |    |   |   |
|          |                | NUMBER         |                   |                  |                    | Fp  |    |    |    |    |    |    |    |    |    |    |    |    |    |    |    |    |    |    |    |    |    |    |    |    |    |    |    |    |    |    |    |    |    |    |    |    |    |    |    |    |    |    |    |    |    |    |    |    |    |    |    |    |    |    |    |    |    |    |    |   |   |
| SALEABLE | NOT APPLICABLE | 34566-2643     | 0                 | A                | BLACK              | 71  | 69 | 68 | 67 | 65 | 64 | 63 | 61 | 59 | 57 | 56 | 34 | 33 | 50 | 49 | 47 | 32 | 31 | 30 | 29 | 28 | 27 | 24 | 23 | 22 | 20 | 19 | 18 | 73 | 16 | 13 | 12 | 11 | 10 | 9  | 7  | 4  |    |    |    |    |    |    |    |    |    |    |    |    |    |    |    |    |    |    |    |    |    |    |    |   |   |
|          |                |                |                   |                  |                    | 71  | 69 | 68 | 67 | 65 | 64 | 61 | 59 | 57 | 56 | 34 | 33 | 50 | 49 | 47 | 32 | 31 | 30 | 29 | 28 | 27 | 24 | 23 | 22 | 20 | 19 | 18 | 73 | 16 | 13 | 12 | 11 | 10 | 9  | 7  | 4  |    |    |    |    |    |    |    |    |    |    |    |    |    |    |    |    |    |    |    |    |    |    |    |    |   |   |
|          |                |                |                   |                  |                    | 79  | 78 | 77 | 76 | 75 | 74 | 73 | 72 | 71 | 70 | 69 | 68 | 66 | 65 | 64 | 63 | 61 | 41 | 39 | 38 | 37 | 36 | 35 | 34 | 33 | 60 | 59 | 58 | 57 | 56 | 53 | 50 | 44 | 43 | 41 | 40 | 39 | 38 | 37 | 35 | 34 | 32 | 30 | 29 | 27 | 26 | 22 | 21 | 20 | 19 | 18 | 17 | 13 | 12 | 8  | 6  | 5  | 3  | 2  |    |   |   |
| SALEABLE | NOT APPLICABLE | 34566-2653     | 0                 | A                | BLACK              | 71  | 69 | 68 | 67 | 65 | 64 | 61 | 59 | 57 | 56 | 34 | 33 | 50 | 49 | 47 | 32 | 31 | 30 | 29 | 28 | 27 | 24 | 23 | 22 | 20 | 19 | 18 | 73 | 16 | 13 | 12 | 11 | 10 | 9  | 7  | 4  |    |    |    |    |    |    |    |    |    |    |    |    |    |    |    |    |    |    |    |    |    |    |    |    |   |   |
|          |                |                |                   |                  |                    | 71  | 69 | 68 | 67 | 65 | 64 | 61 | 59 | 57 | 56 | 34 | 33 | 50 | 49 | 47 | 32 | 31 | 30 | 29 | 28 | 27 | 24 | 23 | 22 | 20 | 19 | 18 | 73 | 16 | 13 | 12 | 11 | 10 | 9  | 7  | 4  |    |    |    |    |    |    |    |    |    |    |    |    |    |    |    |    |    |    |    |    |    |    |    |    |   |   |
|          |                |                |                   |                  |                    | 79  | 78 | 77 | 76 | 75 | 74 | 73 | 72 | 71 | 70 | 69 | 68 | 66 | 65 | 64 | 63 | 61 | 41 | 39 | 38 | 37 | 36 | 35 | 34 | 33 | 60 | 59 | 58 | 57 | 56 | 53 | 50 | 44 | 43 | 41 | 40 | 39 | 38 | 37 | 35 | 34 | 32 | 30 | 29 | 27 | 26 | 22 | 21 | 20 | 19 | 18 | 17 | 13 | 12 | 8  | 6  | 5  | 3  | 2  |    |   |   |
| SALEABLE | NOT APPLICABLE | 34566-2663     | 0                 | H                | ST GRY             | 79  | 78 | 77 | 76 | 75 | 74 | 73 | 72 | 71 | 70 | 69 | 68 | 66 | 65 | 64 | 63 | 61 | 41 | 39 | 38 | 37 | 36 | 35 | 34 | 33 | 60 | 59 | 58 | 57 | 56 | 53 | 50 | 44 | 43 | 41 | 40 | 39 | 38 | 37 | 35 | 34 | 32 | 30 | 29 | 27 | 26 | 22 | 21 | 20 | 19 | 18 | 17 | 13 | 12 | 8  | 6  | 5  | 3  | 2  |    |   |   |
|          |                |                |                   |                  |                    | 79  | 78 | 77 | 76 | 75 | 74 | 73 | 72 | 71 | 70 | 69 | 68 | 66 | 65 | 64 | 63 | 61 | 41 | 39 | 38 | 37 | 36 | 35 | 34 | 33 | 60 | 59 | 58 | 57 | 56 | 53 | 52 | 50 | 44 | 43 | 41 | 40 | 39 | 38 | 37 | 35 | 34 | 32 | 30 | 29 | 27 | 26 | 22 | 21 | 20 | 19 | 18 | 17 | 16 | 13 | 12 | 8  | 6  | 5  | 3  | 2 |   |
|          |                |                |                   |                  |                    | 79  | 78 | 77 | 76 | 75 | 74 | 73 | 72 | 71 | 70 | 69 | 68 | 67 | 66 | 65 | 64 | 63 | 61 | 41 | 39 | 38 | 37 | 36 | 35 | 34 | 33 | 60 | 59 | 58 | 57 | 56 | 53 | 52 | 51 | 50 | 48 | 47 | 44 | 43 | 41 | 40 | 39 | 38 | 37 | 35 | 34 | 32 | 30 | 29 | 27 | 26 | 22 | 21 | 20 | 19 | 18 | 17 | 16 | 13 | 12 | 8 | 7 |
| SALEABLE | NOT APPLICABLE | 34566-2673     | 0                 | H                | ST GRY             | 79  | 78 | 77 | 76 | 75 | 74 | 73 | 72 | 71 | 70 | 69 | 68 | 66 | 65 | 64 | 63 | 61 | 41 | 39 | 38 | 37 | 36 | 35 | 34 | 33 | 60 | 59 | 58 | 57 | 56 | 53 | 52 | 50 | 44 | 43 | 41 | 40 | 39 | 38 | 37 | 35 | 34 | 32 | 30 | 29 | 27 | 26 | 22 | 21 | 20 | 19 | 18 | 17 | 16 | 13 | 12 | 8  | 6  | 5  | 3  | 2 |   |
|          |                |                |                   |                  |                    | 79  | 78 | 77 | 76 | 75 | 74 | 73 | 72 | 71 | 70 | 69 | 68 | 66 | 65 | 64 | 63 | 61 | 41 | 39 | 38 | 37 | 36 | 35 | 34 | 33 | 60 | 59 | 58 | 57 | 56 | 53 | 52 | 50 | 44 | 43 | 41 | 40 | 39 | 38 | 37 | 35 | 34 | 32 | 30 | 29 | 27 | 26 | 22 | 21 | 20 | 19 | 18 | 17 | 16 | 13 | 12 | 8  | 6  | 5  | 3  | 2 |   |
|          |                |                |                   |                  |                    | 79  | 78 | 77 | 76 | 75 | 74 | 73 | 72 | 71 | 70 | 69 | 68 | 67 | 66 | 65 | 64 | 63 | 61 | 41 | 39 | 38 | 37 | 36 | 35 | 34 | 33 | 60 | 59 | 58 | 57 | 56 | 53 | 52 | 51 | 50 | 48 | 47 | 44 | 43 | 41 | 40 | 39 | 38 | 37 | 35 | 34 | 32 | 30 | 29 | 27 | 26 | 22 | 21 | 20 | 19 | 18 | 17 | 16 | 13 | 12 | 8 | 7 |
| SALEABLE | NOT APPLICABLE | 34566-2683     | 0                 | H                | ST GRY             | 71  | 70 | 69 | 68 | 66 | 65 | 64 | 63 | 61 | 59 | 58 | 57 | 56 | 55 | 54 | 53 | 51 | 50 | 49 | 48 | 46 | 45 | 43 | 42 | 41 | 40 | 39 | 38 | 37 | 36 | 35 | 34 | 33 | 73 | 32 | 31 | 30 | 29 | 28 | 27 | 25 | 24 | 23 | 22 | 20 | 19 | 18 | 17 |    |    |    |    |    |    |    |    |    |    |    |    |   |   |
|          |                |                |                   |                  |                    | 71  | 70 | 69 | 68 | 66 | 65 | 64 | 63 | 61 | 59 | 58 | 57 | 56 | 55 | 54 | 53 | 51 | 50 | 49 | 48 | 46 | 45 | 43 | 42 | 41 | 40 | 39 | 38 | 37 | 36 | 35 | 34 | 33 | 73 | 32 | 31 | 30 | 29 | 28 | 27 | 25 | 24 | 23 | 22 | 20 | 19 | 18 | 17 |    |    |    |    |    |    |    |    |    |    |    |    |   |   |
|          |                |                |                   |                  |                    | 71  | 70 | 69 | 68 | 66 | 65 | 64 | 63 | 61 | 59 | 58 | 57 | 56 | 55 | 54 | 53 | 51 | 50 | 49 | 48 | 46 | 45 | 43 | 42 | 41 | 40 | 39 | 38 | 37 | 36 | 35 | 34 | 33 | 73 | 32 | 31 | 30 | 29 | 28 | 27 | 25 | 24 | 23 | 22 | 20 | 19 | 18 | 17 |    |    |    |    |    |    |    |    |    |    |    |    |   |   |
| SALEABLE | NOT APPLICABLE | 34566-2693     | 0                 | B                | ST GRY             | 71  | 70 | 69 | 68 | 66 | 65 | 64 | 63 | 61 | 59 | 58 | 57 | 56 | 55 | 54 | 53 | 51 | 50 | 49 | 48 | 46 | 45 | 43 | 42 | 41 | 40 | 39 | 38 | 37 | 36 | 35 | 34 | 33 | 73 | 32 | 31 | 30 | 29 | 28 | 27 | 25 | 24 | 23 | 22 | 20 | 19 | 18 | 17 |    |    |    |    |    |    |    |    |    |    |    |    |   |   |
|          |                |                |                   |                  |                    | 71  | 70 | 69 | 68 | 66 | 65 | 64 | 63 | 61 | 59 | 58 | 57 | 56 | 55 | 54 | 53 | 51 | 50 | 49 | 48 | 46 | 45 | 43 | 42 | 41 | 40 | 39 | 38 | 37 | 36 | 35 | 34 | 33 | 73 | 32 | 31 | 30 | 29 | 28 | 27 | 25 | 24 | 23 | 22 | 20 | 19 | 18 | 17 |    |    |    |    |    |    |    |    |    |    |    |    |   |   |
|          |                |                |                   |                  |                    | 71  | 70 | 69 | 68 | 66 | 65 | 64 | 63 | 61 | 59 | 58 | 57 | 56 | 55 | 54 | 53 | 51 | 50 | 49 | 48 | 46 | 45 | 43 | 42 | 41 | 40 | 39 | 38 | 37 | 36 | 35 | 34 | 33 | 73 | 32 | 31 | 30 | 29 | 28 | 27 | 25 | 24 | 23 | 22 | 20 | 19 | 18 | 17 |    |    |    |    |    |    |    |    |    |    |    |    |   |   |
| SALEABLE | NOT APPLICABLE | 34566-2713     | 0                 | A                | BLACK              | 71  | 70 | 69 | 68 | 66 | 65 | 64 | 63 | 61 | 59 | 58 | 57 | 56 | 55 | 54 | 53 | 51 | 50 | 49 | 48 | 46 | 45 | 43 | 42 | 41 | 40 | 39 | 38 | 37 | 36 | 35 | 34 | 33 | 73 | 32 | 31 | 30 | 29 | 28 | 27 | 25 | 24 | 23 | 22 | 20 | 19 | 18 | 17 |    |    |    |    |    |    |    |    |    |    |    |    |   |   |
|          |                |                |                   |                  |                    | 71  | 70 | 69 | 68 | 66 | 65 | 64 | 63 | 61 | 59 | 58 | 57 | 56 | 55 | 54 | 53 | 51 | 50 | 49 | 48 | 46 | 45 | 43 | 42 | 41 | 40 | 39 | 38 | 37 | 36 | 35 | 34 | 33 | 73 | 32 | 31 | 30 | 29 | 28 | 27 | 25 | 24 | 23 | 22 | 20 | 19 | 18 | 17 |    |    |    |    |    |    |    |    |    |    |    |    |   |   |
|          |                |                |                   |                  |                    | 71  | 70 | 69 | 68 | 66 | 65 | 64 | 63 | 61 | 59 | 58 | 57 | 56 | 55 | 54 | 53 | 51 | 50 | 49 | 48 | 46 | 45 | 43 | 42 | 41 | 40 | 39 | 38 | 37 | 36 | 35 | 34 | 33 | 73 | 32 | 31 | 30 | 29 | 28 | 27 | 25 | 24 | 23 | 22 | 20 | 19 | 18 | 17 |    |    |    |    |    |    |    |    |    |    |    |    |   |   |
| SALEABLE | NOT APPLICABLE | 34566-2723     | 0                 | B                | ST GRY             | 71  | 70 | 69 | 68 | 66 | 65 | 64 | 63 | 61 | 59 | 58 | 57 | 56 | 55 | 54 | 53 | 51 | 50 | 49 | 48 | 46 | 45 | 43 | 42 | 41 | 40 | 39 | 38 | 37 | 36 | 35 | 34 | 33 | 73 | 32 | 31 | 30 | 29 | 28 | 27 | 25 | 24 | 23 | 22 | 20 | 19 | 18 | 17 |    |    |    |    |    |    |    |    |    |    |    |    |   |   |
|          |                |                |                   |                  |                    | 71  | 70 | 69 | 68 | 66 | 65 | 64 | 63 | 61 | 59 | 58 | 57 | 56 | 55 | 54 | 53 | 51 | 50 | 49 | 48 | 46 | 45 | 43 | 42 | 41 | 40 | 39 | 38 | 37 | 36 | 35 | 34 | 33 | 73 | 32 | 31 | 30 | 29 | 28 | 27 | 25 | 24 | 23 | 22 | 20 | 19 | 18 | 17 |    |    |    |    |    |    |    |    |    |    |    |    |   |   |
|          |                |                |                   |                  |                    | 71  | 70 | 69 | 68 | 66 | 65 | 64 | 63 | 61 | 59 | 58 | 57 | 56 | 55 | 54 | 53 | 51 | 50 | 49 | 48 | 46 | 45 | 43 | 42 | 41 | 40 | 39 | 38 | 37 | 36 | 35 | 34 | 33 | 73 | 32 | 31 | 30 | 29 | 28 | 27 | 25 | 24 | 23 | 22 | 20 | 19 | 18 | 17 |    |    |    |    |    |    |    |    |    |    |    |    |   |   |
| SALEABLE | NOT APPLICABLE | 34566-2733     | 0                 | A                | BLACK              | 71  | 70 | 69 | 68 | 66 | 65 | 64 | 63 | 61 | 59 | 58 | 57 | 56 | 55 | 54 | 53 | 51 | 50 | 49 | 48 | 46 | 45 | 43 | 42 | 41 | 40 | 39 | 38 | 37 | 36 | 35 | 34 | 33 | 73 | 32 | 31 | 30 | 29 | 28 | 27 | 25 | 24 | 23 | 22 | 20 | 19 | 18 | 17 |    |    |    |    |    |    |    |    |    |    |    |    |   |   |
|          |                |                |                   |                  |                    | 71  | 70 | 69 | 68 | 66 | 65 | 64 | 63 | 61 | 59 | 58 | 57 | 56 | 55 | 54 | 53 | 51 | 50 | 49 | 48 | 46 | 45 | 43 | 42 | 41 | 40 | 39 | 38 | 37 | 36 | 35 | 34 | 33 | 73 | 32 | 31 | 30 | 29 | 28 | 27 | 25 | 24 | 23 | 22 | 20 | 19 | 18 | 17 |    |    |    |    |    |    |    |    |    |    |    |    |   |   |
|          |                |                |                   |                  |                    | 71  | 70 | 69 | 68 | 66 | 65 | 64 | 63 | 61 | 59 | 58 | 57 | 56 | 55 | 54 | 53 | 51 | 50 | 49 | 48 | 46 | 45 | 43 | 42 | 41 | 40 | 39 | 38 | 37 | 36 | 35 | 34 | 33 | 73 | 32 | 31 | 30 | 29 | 28 | 27 | 25 | 24 | 23 | 22 | 20 | 19 | 18 | 17 |    |    |    |    |    |    |    |    |    |    |    |    |   |   |
| SALEABLE | NOT APPLICABLE | 34566-2743     | 0                 | C                | BLUE               | 72  | 71 | 70 | 69 | 68 | 67 | 66 | 65 | 64 | 63 | 62 | 61 | 60 | 59 | 58 | 57 | 56 | 55 | 54 | 53 | 52 | 51 | 50 | 49 | 48 | 47 | 46 | 45 | 44 | 43 | 42 | 41 | 40 | 39 | 38 | 37 | 36 | 35 | 34 | 33 | 73 | 32 | 31 | 30 | 29 | 28 | 27 | 26 | 25 | 24 | 23 | 22 | 21 | 20 |    |    |    |    |    |    |   |   |
|          |                |                |                   |                  |                    | 72  | 71 | 70 | 69 | 68 | 67 | 66 | 65 | 64 | 63 | 62 | 61 | 60 | 59 | 58 | 57 | 56 | 55 | 54 | 53 | 52 | 51 | 50 | 49 | 48 | 47 | 46 | 45 | 44 | 43 | 42 | 41 | 40 | 39 | 38 | 37 | 36 | 35 | 34 | 33 | 73 | 32 | 31 | 30 | 29 | 28 | 27 | 26 | 25 | 24 | 23 | 22 | 21 | 20 |    |    |    |    |    |    |   |   |
|          |                |                |                   |                  |                    | 72  | 71 | 70 | 69 | 68 | 67 | 66 | 65 | 64 | 63 | 62 | 61 | 60 | 59 | 58 | 57 | 56 | 55 | 54 | 53 | 52 | 51 | 50 | 49 | 48 | 47 | 46 | 45 | 44 | 43 | 42 | 41 | 40 | 39 | 38 | 37 | 36 | 35 | 34 | 33 | 73 | 32 | 31 | 30 | 29 | 28 | 27 | 26 | 25 | 24 | 23 | 22 | 21 | 20 |    |    |    |    |    |    |   |   |
| SALEABLE | NOT APPLICABLE | 34566-2753     | 0                 | A                | BLACK              | 72  | 71 | 70 | 69 | 68 | 67 | 66 | 65 | 64 | 63 | 62 | 61 | 60 | 59 | 58 | 57 | 56 | 55 | 54 | 53 | 52 | 51 | 50 | 49 | 48 | 47 | 46 | 45 | 44 | 43 | 42 | 41 | 40 | 39 | 38 | 37 | 36 | 35 | 34 | 33 | 73 | 32 | 31 | 30 | 29 | 28 |    |    |    |    |    |    |    |    |    |    |    |    |    |    |   |   |

MX123 52/66/73/80-WAY RECEPTACLE ASSY SEALED PIN OUT SHEET

| STATUS   | GM PART #      | HRNS CONN ASSY |                   |                  | TPA                | GROMMET CAP                                 |    |    |    |    |    |    |    |    |    |    |    |    |    |    |    |    |    |    |    |    |    |    |
|----------|----------------|----------------|-------------------|------------------|--------------------|---|----|----|----|----|----|----|----|----|----|----|----|----|----|----|----|----|----|----|----|----|----|----|
|          |                | MATERIAL/PART  | WIRE DRESS OPTION | KEY OPTION<br>Fp | COLOR OPTION<br>Fp | NUMBERS INDICATE CAVITIES OPEN FOR CIRCUITS |    |    |    |    |    |    |    |    |    |    |    |    |    |    |    |    |    |    |    |    |    |    |
|          |                | NUMBER         |                   |                  |                    | Fp  |    |    |    |    |    |    |    |    |    |    |    |    |    |    |    |    |    |    |    |    |    |    |
| SALEABLE | NOT APPLICABLE | 34566-2813     | 9                 | B                | ST GRAY            | 72  | 71 | 70 | 69 | 68 | 67 | 66 | 65 | 64 |    | 62 | 61 | 60 | 59 | 58 | 57 | 56 | 55 | 54 |    |    |    |    |
|          |                |                |                   |                  |                    | 52  | 51 | 50 | 49 | 48 |    | 46 |    | 44 |    |    |    | 40 |    |    |    | 37 | 36 |    |    |    |    |    |
|          |                |                |                   |                  |                    | 73  |    |    |    | 32 | 31 | 30 | 29 | 28 | 27 |    | 25 | 24 |    |    |    | 21 | 20 |    |    | 18 |    |    |
| SALEABLE | NOT APPLICABLE | 34566-2823     | 0                 | A                | BLACK              |   |    |    |    |    | 67 | 66 |    |    |    |    |    |    |    |    |    |    |    |    |    |    |    |    |
|          |                |                |                   |                  |                    |   |    |    |    |    | 47 |    |    |    |    | 41 |    |    |    |    |    |    |    |    |    |    |    |    |
|          |                |                |                   |                  |                    | 73  |    |    |    | 32 | 31 | 30 | 29 |    | 27 |    | 25 |    |    | 22 | 21 |    |    | 19 | 18 | 17 |    |    |
| SALEABLE | NOT APPLICABLE | 34566-2833     | 0                 | B                | ST GRAY            | 72  | 71 | 70 | 69 | 68 | 67 | 66 | 65 |    |    | 61 | 60 |    |    |    | 57 | 56 | 55 | 54 |    |    |    |    |
|          |                |                |                   |                  |                    | 52  | 51 | 50 | 49 | 48 |    | 46 |    | 44 |    |    |    | 40 |    |    |    | 37 | 36 |    |    |    |    |    |
|          |                |                |                   |                  |                    | 73  |    |    |    | 32 | 31 | 30 | 29 | 28 | 27 |    |    | 24 |    |    | 21 | 20 | 19 | 18 | 17 |    |    |    |
| SALEABLE | NOT APPLICABLE | 34566-2843     | 0                 | A                | BLACK              |   |    |    |    |    | 67 | 66 |    |    |    |    |    |    |    |    |    |    |    |    |    |    |    |    |
|          |                |                |                   |                  |                    |   |    |    |    |    | 47 |    |    |    |    | 41 |    |    |    |    |    |    |    |    |    |    |    |    |
|          |                |                |                   |                  |                    | 73  |    |    |    | 32 | 31 | 30 | 29 |    | 27 |    | 25 |    |    | 22 | 21 |    |    | 19 | 18 | 17 |    |    |
| SALEABLE | NOT APPLICABLE | 34566-2853     | 0                 | B                | ST GRAY            | 72  | 71 | 70 | 69 | 68 | 67 | 66 | 65 | 64 | 63 |    | 61 | 60 |    |    |    | 57 | 56 | 55 | 54 |    |    |    |
|          |                |                |                   |                  |                    | 52  | 51 | 50 | 49 | 48 |    | 46 |    | 44 |    |    |    | 40 |    |    |    | 37 | 36 |    |    |    |    |    |
|          |                |                |                   |                  |                    | 73  |    |    |    | 32 | 31 | 30 | 29 | 28 | 27 |    |    | 24 |    |    | 21 | 20 | 19 | 18 | 17 |    |    |    |
| SALEABLE | NOT APPLICABLE | 34566-2863     | 0                 | A                | BLACK              |   |    |    |    |    | 67 | 66 |    |    |    |    |    |    |    |    |    |    |    |    |    |    |    |    |
|          |                |                |                   |                  |                    |   |    |    |    |    | 47 |    |    |    |    | 41 |    |    |    |    |    |    |    |    |    |    |    |    |
|          |                |                |                   |                  |                    | 73  |    |    |    | 32 | 31 | 30 | 29 |    | 27 |    | 25 |    |    | 22 | 21 |    |    | 19 | 18 | 17 |    |    |
| SALEABLE | NOT APPLICABLE | 34566-2873     | 0                 | B                | ST GRAY            | 72  | 71 | 70 | 69 | 68 | 67 | 66 |    |    |    |    |    |    | 59 | 58 | 57 | 56 | 55 | 54 |    |    |    |    |
|          |                |                |                   |                  |                    | 52  | 51 | 50 | 49 | 48 | 47 |    |    |    |    |    |    | 40 |    |    | 39 | 38 | 37 | 36 | 35 | 34 |    |    |
|          |                |                |                   |                  |                    | 73  |    |    |    |    | 15 |    |    |    |    | 11 | 10 |    | 8  |    | 6  | 5  | 4  | 3  |    |    |    |    |
| SALEABLE | NOT APPLICABLE | 34566-2883     | 0                 | A                | BLACK              |   |    | 70 | 69 |    |    |    |    |    | 63 | 62 | 61 |    |    | 58 | 57 | 56 | 55 | 54 | 53 |    |    |    |
|          |                |                |                   |                  |                    | 52  | 51 |    | 49 |    |    |    | 44 | 43 | 42 | 41 |    |    |    |    |    | 37 | 36 |    |    | 34 |    |    |
|          |                |                |                   |                  |                    | 73  |    |    |    | 32 |    |    | 29 | 28 | 27 | 26 |    |    |    |    |    |    |    |    |    | 19 | 18 |    |
| SALEABLE | NOT APPLICABLE | 34566-2893     | 0                 | A                | BLACK              |   |    |    | 69 |    | 67 | 66 | 65 |    | 63 |    |    | 60 |    |    | 57 | 56 |    |    | 53 |    |    |    |
|          |                |                |                   |                  |                    |   |    |    | 49 |    | 47 | 46 |    | 44 | 43 |    |    | 40 |    |    |    | 37 | 36 | 35 |    |    | 33 |    |
|          |                |                |                   |                  |                    | 73  |    |    |    |    | 31 | 30 | 29 | 28 |    |    |    | 24 |    |    | 21 | 20 |    |    |    |    |    |    |
| SALEABLE | NOT APPLICABLE | 34566-2913     | 0                 | B                | ST GRAY            |   |    |    |    | 68 | 67 |    |    | 64 |    |    |    |    | 58 |    |    |    |    |    |    |    |    |    |
|          |                |                |                   |                  |                    |   |    |    |    |    |    | 46 | 45 |    |    |    |    |    |    |    |    | 38 |    |    |    |    |    |    |
|          |                |                |                   |                  |                    | 73  |    |    |    | 32 |    | 30 | 29 | 28 | 27 |    |    |    |    | 22 |    |    |    |    |    |    |    | 17 |
| SALEABLE | NOT APPLICABLE | 34566-2923     | 0                 | B                | ST GRAY            |   |    |    |    |    | 15 |    |    |    |    |    |    |    |    |    |    |    |    |    |    |    |    |    |
|          |                |                |                   |                  |                    |   |    |    |    |    |    | 46 | 45 |    |    |    |    |    |    |    |    |    |    |    |    |    |    |    |
|          |                |                |                   |                  |                    | 73  |    |    |    | 32 |    | 30 | 29 | 28 | 27 |    |    |    |    |    |    |    |    |    |    |    |    | 17 |
| SALEABLE | NOT APPLICABLE | 34566-2933     | 0                 | A                | BLACK              | 72  |    |    | 69 |    | 67 | 66 | 65 |    | 63 |    |    | 60 |    |    | 57 | 56 |    |    | 53 |    |    |    |
|          |                |                |                   |                  |                    |   |    |    | 49 |    | 47 |    |    | 44 | 43 |    |    | 40 |    |    |    | 37 | 36 | 35 |    |    | 33 |    |
|          |                |                |                   |                  |                    | 73  |    |    |    |    | 31 | 30 | 29 | 28 |    |    |    | 24 |    |    | 21 | 20 |    |    |    |    |    | 17 |
| SALEABLE | NOT APPLICABLE | 34566-2943     | 0                 | B                | ST GRAY            |   |    |    |    | 68 | 67 |    |    | 64 | 63 |    |    |    | 59 |    | 57 |    |    |    |    |    |    |    |
|          |                |                |                   |                  |                    |   |    |    |    |    |    | 46 | 45 |    |    | 43 |    |    |    |    |    | 39 |    | 37 |    |    |    |    |
|          |                |                |                   |                  |                    | 73  |    |    |    | 32 |    | 30 | 29 | 28 | 27 |    |    |    |    |    |    | 21 |    |    |    |    |    |    |
| SALEABLE | NOT APPLICABLE | 34566-2953     | 0                 | B                | ST GRAY            |   |    |    |    | 68 | 67 |    |    | 64 | 63 |    |    |    | 59 |    |    |    |    |    |    |    |    |    |
|          |                |                |                   |                  |                    |   |    |    |    |    |    | 46 | 45 |    |    | 43 |    |    |    |    |    |    |    |    |    |    | 34 |    |
|          |                |                |                   |                  |                    | 73  |    |    |    | 32 |    | 30 | 29 | 28 | 27 |    |    |    |    |    |    |    |    |    |    |    |    |    |
| SALEABLE | NOT APPLICABLE | 34566-2963     | 0                 | H                | ST GRAY            |   | 79 |    |    |    |    |    | 74 | 73 | 72 | 71 |    | 69 | 68 | 67 |    |    | 64 |    | 62 | 61 |    |    |
|          |                |                |                   |                  |                    |   | 59 |    |    |    |    |    | 54 | 53 | 52 |    |    | 49 | 48 | 47 |    |    |    |    |    |    | 42 | 41 |
|          |                |                |                   |                  |                    |   |    | 38 |    |    |    |    |    | 33 |    |    |    |    | 29 | 28 | 27 |    |    | 25 |    |    |    |    |

MX123 52/66/73/80-WAY RECEPTACLE ASSY SEALED PIN OUT SHEET

| STATUS   | GM PART #      | HRNS CONN ASSY |                   |                  | TPA                | GROMMET CAP                                 |    |    |    |    |    |    |    |    |    |    |    |    |    |    |    |    |    |    |    |    |    |   |  |
|----------|----------------|----------------|-------------------|------------------|--------------------|---|----|----|----|----|----|----|----|----|----|----|----|----|----|----|----|----|----|----|----|----|----|---|--|
|          |                | MATERIAL/PART  | WIRE DRESS OPTION | KEY OPTION<br>Fp | COLOR OPTION<br>Fp | NUMBERS INDICATE CAVITIES OPEN FOR CIRCUITS |    |    |    |    |    |    |    |    |    |    |    |    |    |    |    |    |    |    |    |    |    |   |  |
|          |                | NUMBER         |                   |                  |                    | Fp  |    |    |    |    |    |    |    |    |    |    |    |    |    |    |    |    |    |    |    |    |    |   |  |
| SALEABLE | NOT APPLICABLE | 34566-2973     | 0                 | G                | BLUE               | 80  |    | 78 | 77 |    | 75 | 74 | 73 | 72 |    | 70 | 69 |    | 67 |    | 65 | 64 | 63 | 62 |    |    |    |   |  |
|          |                |                |                   |                  |                    | 60  |    | 58 | 57 |    | 55 | 54 |    | 52 | 51 | 50 | 49 |    | 47 |    | 45 |    |    |    |    |    |    |   |  |
|          |                |                |                   |                  |                    | 40  |    | 38 | 37 |    |    |    |    | 33 | 32 | 31 |    |    |    | 27 | 26 | 25 | 24 |    |    |    |    |   |  |
|          |                |                |                   |                  |                    | 20  |    | 18 | 17 |    |    |    |    |    |    |    |    | 10 | 9  | 8  |    | 6  | 5  |    |    | 3  | 2  | 1 |  |
| SALEABLE | NOT APPLICABLE | 34566-9913     | 0                 | A                | BLACK              | 72  | 71 |    |    | 68 | 67 | 66 | 65 | 64 |    |    |    |    | 59 |    |    |    |    |    |    |    |    |   |  |
|          |                |                |                   |                  |                    |   |    | 50 |    | 48 | 47 | 46 | 45 |    |    |    |    | 40 | 39 | 38 |    |    |    |    |    |    |    |   |  |
|          |                |                |                   |                  |                    | 73  |    |    |    |    | 31 | 30 |    |    |    |    |    | 25 | 24 |    | 22 | 21 | 20 |    |    |    | 17 |   |  |
|          |                |                |                   |                  |                    |   |    |    |    |    |    | 14 |    |    |    |    |    | 9  | 7  | 6  | 5  | 4  |    |    |    | 2  | 1  |   |  |
| SALEABLE | NOT APPLICABLE | 34566-9923     | 0                 | A                | BLACK              | 72  | 71 |    |    |    | 67 | 66 |    |    |    | 62 | 61 | 60 |    |    | 57 |    |    | 55 | 54 |    |    |   |  |
|          |                |                |                   |                  |                    |   | 51 |    |    | 48 |    | 46 | 45 | 44 | 43 | 42 |    |    | 39 |    |    |    |    |    | 35 |    | 33 |   |  |
|          |                |                |                   |                  |                    | 73  |    |    |    |    |    |    |    |    |    |    | 26 | 25 | 24 |    |    |    |    |    |    |    |    |   |  |
|          |                |                |                   |                  |                    |   |    |    |    |    |    | 15 | 14 |    |    |    |    |    | 8  | 7  | 6  | 5  | 4  | 3  | 2  |    |    |   |  |
| SALEABLE | NOT APPLICABLE | 34566-9933     | 0                 | B                | ST GRAY            |   |    |    | 69 |    |    |    | 65 | 64 | 63 |    |    |    |    |    |    |    |    |    |    |    |    |   |  |
|          |                |                |                   |                  |                    |   |    |    | 49 |    |    |    | 45 | 44 | 43 |    |    |    |    |    |    |    |    |    |    |    |    |   |  |
|          |                |                |                   |                  |                    | 73  |    |    |    |    |    |    |    |    |    | 12 | 11 |    |    |    | 6  | 5  | 4  | 3  | 2  | 1  |    |   |  |
|          |                |                |                   |                  |                    |   |    |    |    |    |    |    |    |    |    |    |    |    |    |    | 22 | 21 | 20 | 19 | 18 | 17 |    |   |  |
| SALEABLE | NOT APPLICABLE | 34566-9943     | 0                 | C                | BLUE               |   | 71 |    | 69 |    |    |    | 65 | 64 |    |    | 61 | 60 |    |    | 58 |    | 56 | 55 | 54 |    |    |   |  |
|          |                |                |                   |                  |                    |   |    | 50 | 49 |    |    | 45 |    | 43 |    | 41 |    |    |    | 37 | 36 | 35 |    |    |    |    |    |   |  |
|          |                |                |                   |                  |                    | 73  |    |    |    |    | 31 |    | 29 | 28 |    |    |    | 24 | 23 |    |    |    |    | 19 | 18 | 17 |    |   |  |
|          |                |                |                   |                  |                    |   |    |    |    |    |    | 16 |    | 13 | 12 | 11 |    |    | 8  | 7  |    |    |    | 3  | 2  | 1  |    |   |  |
| SALEABLE | NOT APPLICABLE | 34566-9953     | 0                 | A                | BLACK              |   |    |    |    | 67 |    |    |    |    |    | 62 |    | 60 |    |    | 57 |    |    | 55 |    |    |    |   |  |
|          |                |                |                   |                  |                    |   | 51 |    |    | 48 |    | 46 | 45 | 44 | 43 |    |    |    | 39 |    |    |    |    |    | 35 |    |    |   |  |
|          |                |                |                   |                  |                    | 73  |    |    |    |    |    |    |    |    |    |    |    | 25 |    |    |    |    |    |    |    |    |    |   |  |
|          |                |                |                   |                  |                    |   |    |    |    |    |    | 15 | 14 |    |    |    |    |    | 7  | 6  | 5  | 4  | 3  | 2  |    |    |    |   |  |
| SALEABLE | NOT APPLICABLE | 34566-9963     | 0                 | B                | ST GRAY            |   |    |    |    | 68 | 67 |    |    | 64 | 63 |    |    |    |    | 58 |    |    | 55 |    |    |    |    |   |  |
|          |                |                |                   |                  |                    |   |    |    |    |    |    | 46 | 45 |    | 43 |    |    |    |    | 38 |    |    |    | 35 |    |    |    |   |  |
|          |                |                |                   |                  |                    | 73  |    |    |    |    | 32 |    | 30 | 29 | 28 | 27 |    |    |    | 22 |    |    |    | 19 | 17 |    |    |   |  |
|          |                |                |                   |                  |                    |   |    |    |    |    |    | 15 |    | 13 |    |    | 10 |    |    |    |    |    |    |    |    |    | 1  |   |  |
| SALEABLE | NOT APPLICABLE | 34566-9973     | 0                 | B                | ST GRAY            |   |    |    |    | 68 | 67 |    |    | 64 | 63 |    |    |    |    | 58 |    |    |    |    |    |    |    |   |  |
|          |                |                |                   |                  |                    |   |    |    |    |    |    | 46 | 45 |    | 43 |    |    |    |    | 38 |    |    |    |    |    |    |    |   |  |
|          |                |                |                   |                  |                    | 73  |    |    |    |    | 32 |    | 30 | 29 | 28 | 27 |    |    |    | 22 |    |    |    |    |    |    | 17 |   |  |
|          |                |                |                   |                  |                    |   |    |    |    |    |    | 15 |    | 13 |    |    | 10 |    |    |    |    |    |    |    |    |    |    |   |  |
| SALEABLE | NOT APPLICABLE | 34566-2983     | 9                 | A                | BLACK              |   |    |    | 70 | 69 |    |    |    |    | 63 | 62 | 61 |    |    | 58 | 57 | 56 | 55 | 54 | 53 |    |    |   |  |
|          |                |                |                   |                  |                    | 52  | 51 |    | 49 |    |    |    |    | 44 | 43 | 42 | 41 |    |    |    |    | 37 | 36 |    |    | 34 |    |   |  |
|          |                |                |                   |                  |                    | 73  |    |    |    |    | 32 |    |    | 29 | 28 | 27 | 26 |    |    |    |    |    |    |    | 19 | 18 | 17 |   |  |
|          |                |                |                   |                  |                    |   |    |    |    |    | 16 | 15 |    | 13 | 12 | 11 | 10 |    |    |    |    |    |    |    | 3  | 2  | 1  |   |  |
| SALEABLE | NOT APPLICABLE | 34566-2993     | 9                 | B                | ST GRAY            | 72  | 71 | 70 |    | 68 | 67 | 66 |    |    |    | 62 | 61 | 60 | 59 | 58 | 57 | 56 | 55 | 54 | 53 |    |    |   |  |
|          |                |                |                   |                  |                    | 52  | 51 | 50 |    | 48 | 47 | 46 |    |    |    | 42 | 41 | 40 | 39 | 38 | 37 | 36 | 35 | 34 | 33 |    |    |   |  |
|          |                |                |                   |                  |                    | 73  |    |    |    |    | 32 | 31 | 30 | 29 | 28 | 27 | 26 | 25 | 24 |    |    |    |    |    |    |    |    |   |  |
|          |                |                |                   |                  |                    |   |    |    |    |    | 16 | 15 | 14 | 13 |    |    | 10 | 9  | 8  |    |    |    |    |    |    |    |    |   |  |
| SALEABLE | NOT APPLICABLE | 34566-3013     | 9                 | C                | BLUE               | 72  | 71 | 70 | 69 | 68 | 67 | 66 |    |    | 63 | 62 |    |    | 59 |    | 57 | 56 | 55 |    | 53 |    |    |   |  |
|          |                |                |                   |                  |                    | 52  | 51 |    |    |    |    | 46 |    | 44 |    | 42 |    | 40 | 39 | 38 |    |    |    |    |    | 34 | 33 |   |  |
|          |                |                |                   |                  |                    | 73  |    |    |    |    | 32 |    | 30 |    |    |    | 26 | 25 |    |    | 22 | 21 |    |    | 19 | 18 |    |   |  |
|          |                |                |                   |                  |                    |   |    |    |    |    |    | 15 | 14 |    |    |    | 10 | 9  |    |    | 6  | 5  | 4  | 3  |    |    |    |   |  |
| SALEABLE | NOT APPLICABLE | 34566-3023     | 0                 | G                | BLUE               |   | 79 |    |    | 76 |    |    |    |    | 71 |    |    | 68 |    | 66 |    |    |    | 61 |    |    |    |   |  |
|          |                |                |                   |                  |                    |   | 59 |    |    | 56 |    |    |    | 53 |    |    |    |    | 30 | 29 | 28 |    |    | 44 | 43 | 42 | 41 |   |  |
|          |                |                |                   |                  |                    |   | 39 |    |    | 36 | 35 | 34 |    |    |    |    |    |    |    |    |    |    |    |    | 23 | 22 | 21 |   |  |
|          |                |                |                   |                  |                    |   | 19 |    |    | 16 | 15 | 14 | 13 | 12 | 11 |    |    |    |    | 7  |    |    |    |    | 4  |    |    |   |  |
| SALEABLE | NOT APPLICABLE | 34566-3033     | 0                 | H                | ST GRAY            | 80  |    | 78 | 77 | 76 | 75 |    |    |    |    | 70 |    |    |    | 66 | 65 |    | 63 |    |    |    |    |   |  |
|          |                |                |                   |                  |                    | 60  |    | 58 | 57 | 56 | 55 |    |    |    |    | 51 | 50 |    |    |    | 46 | 45 | 44 | 43 |    |    |    |   |  |
|          |                |                |                   |                  |                    | 40  | 39 |    | 37 | 36 | 35 | 34 |    |    | 32 | 31 | 30 |    |    | 28 |    |    | 24 | 23 | 22 |    |    |   |  |
|          |                |                |                   |                  |                    | 20  | 19 | 18 | 17 | 16 |    |    |    | 13 | 12 |    |    |    |    |    |    | 6  | 5  | 4  | 3  | 2  | 1  |   |  |
| SALEABLE | NOT APPLICABLE | 34566-3043     | 0                 | C                | BLUE               | 72  | 71 | 70 |    | 68 |    | 66 |    |    | 63 | 62 |    |    | 59 |    | 57 |    |    |    | 53 |    |    |   |  |
|          |                |                |                   |                  |                    | 52  | 51 |    |    | 48 | 47 | 46 |    | 44 |    | 42 |    | 40 | 39 |    |    |    |    |    |    | 34 | 33 |   |  |
|          |                |                |                   |                  |                    | 73  |    |    |    |    | 32 |    | 30 |    |    |    | 27 | 26 | 25 |    |    | 22 | 21 | 20 |    |    |    |   |  |
|          |                |                |                   |                  |                    |   |    |    |    |    |    | 15 | 14 | 13 |    |    |    | 10 | 9  |    |    | 6  | 5  | 4  |    |    |    |   |  |
| SALEABLE | NOT APPLICABLE | 34566-3053     | 0                 | C                | BLUE               | 72  |    | 70 |    | 68 |    | 66 |    |    | 63 | 62 |    |    | 59 |    | 57 |    |    |    | 53 |    |    |   |  |
|          |                |                |                   |                  |                    | 52  | 51 |    |    | 48 | 47 | 46 |    | 44 |    | 42 |    | 40 | 39 | 38 |    |    |    |    |    | 34 | 33 |   |  |
|          |                |                |                   |                  |                    | 73  |    |    |    |    | 32 |    | 30 |    |    |    | 27 | 26 | 25 |    |    | 22 | 21 | 20 |    |    |    |   |  |
|          |                |                |                   |                  |                    |   |    |    |    |    |    | 15 | 14 | 13 |    |    |    | 10 | 9  |    |    | 6  | 5  | 4  |    |    |    |   |  |

MX123 52/66/73/80-WAY RECEPTACLE ASSY SEALED PIN OUT SHEET

| STATUS   | GM PART #      | HRNS CONN ASSY |                   |                  | TPA                | GROMMET CAP                                 |    |    |    |    |    |    |    |    |    |    |    |    |    |    |    |    |    |    |    |    |    |    |
|----------|----------------|----------------|-------------------|------------------|--------------------|---|----|----|----|----|----|----|----|----|----|----|----|----|----|----|----|----|----|----|----|----|----|----|
|          |                | MATERIAL/PART  | WIRE DRESS OPTION | KEY OPTION<br>Fp | COLOR OPTION<br>Fp | NUMBERS INDICATE CAVITIES OPEN FOR CIRCUITS |    |    |    |    |    |    |    |    |    |    |    |    |    |    |    |    |    |    |    |    |    |    |
|          |                | NUMBER         |                   |                  |                    | Fp  |    |    |    |    |    |    |    |    |    |    |    |    |    |    |    |    |    |    |    |    |    |    |
| SALEABLE | NOT APPLICABLE | 34566-3063     | 0                 | A                | BLACK              | 52  | 71 |    | 69 |    |    |    | 65 | 64 | 63 |    |    | 60 |    | 58 | 57 | 56 | 55 | 54 | 53 |    |    |    |
|          |                |                |                   |                  |                    |   | 51 |    | 49 |    |    |    | 45 | 44 | 43 | 42 | 41 |    |    |    |    |    | 37 | 36 | 35 | 34 | 33 |    |
|          |                |                |                   |                  |                    | 73  |    |    | 32 |    | 30 |    |    | 28 |    | 26 |    |    |    |    |    |    |    |    |    | 19 | 18 |    |
| SALEABLE | NOT APPLICABLE | 34566-3073     | 0                 | A                | BLACK              | 52  | 71 |    | 69 |    |    |    | 65 | 64 | 63 |    |    | 60 |    |    | 57 | 56 | 55 | 54 | 53 |    |    |    |
|          |                |                |                   |                  |                    |   | 51 |    | 49 |    |    |    | 45 | 44 | 43 | 42 | 41 |    |    |    |    |    | 37 | 36 | 35 | 34 | 33 |    |
|          |                |                |                   |                  |                    | 73  |    |    | 32 |    | 30 |    |    | 28 |    | 26 |    |    | 23 |    |    |    |    |    |    | 19 | 18 |    |
| SALEABLE | NOT APPLICABLE | 34566-3083     | 0                 | A                | BLACK              | 52  | 71 |    | 69 |    |    |    | 65 | 64 | 63 |    |    | 60 |    | 58 | 57 | 56 | 55 | 54 | 53 |    |    |    |
|          |                |                |                   |                  |                    |   | 51 |    | 49 |    |    |    | 45 | 44 | 43 | 42 | 41 |    |    |    |    |    | 37 | 36 | 35 | 34 | 33 |    |
|          |                |                |                   |                  |                    | 73  |    |    | 32 |    | 30 |    |    | 28 |    | 26 |    |    |    |    |    |    |    |    |    | 19 | 18 |    |
| SALEABLE | NOT APPLICABLE | 34566-3093     | 0                 | A                | BLACK              | 52  | 71 |    | 69 |    |    |    | 65 | 64 | 63 |    |    | 60 |    |    | 57 | 56 | 55 | 54 | 53 |    |    |    |
|          |                |                |                   |                  |                    |   | 51 |    | 49 |    |    |    | 45 | 44 | 43 | 42 | 41 |    |    |    |    |    | 37 | 36 | 35 | 34 | 33 |    |
|          |                |                |                   |                  |                    | 73  |    |    | 32 |    | 30 |    |    | 28 |    | 26 |    |    | 23 |    |    |    |    |    |    | 19 | 18 |    |
| SALEABLE | NOT APPLICABLE | 34566-3113     | 0                 | A                | BLACK              | 52  | 71 |    | 69 |    |    |    | 65 | 64 | 63 |    |    | 60 |    |    | 57 | 56 | 55 | 54 | 53 |    |    |    |
|          |                |                |                   |                  |                    |   | 51 |    | 49 |    |    |    | 45 | 44 | 43 | 42 | 41 |    |    |    |    |    | 37 | 36 | 35 | 34 | 33 |    |
|          |                |                |                   |                  |                    | 73  |    |    | 32 |    | 30 |    |    | 28 |    | 26 |    |    | 23 |    |    | 21 |    |    |    | 19 | 18 |    |
| SALEABLE | NOT APPLICABLE | 34566-3123     | 0                 | B                | ST GRAY            | 72  |    | 70 |    |    |    | 66 |    |    |    |    | 60 | 59 |    |    |    |    |    | 55 | 54 | 53 |    |    |
|          |                |                |                   |                  |                    | 52  |    | 50 |    |    |    | 48 | 46 |    |    |    |    | 40 | 39 |    |    |    |    |    |    | 35 | 34 | 33 |
|          |                |                |                   |                  |                    | 73  |    |    | 32 | 31 | 30 | 29 | 28 | 27 | 26 | 25 | 24 |    |    |    |    |    |    |    |    |    |    |    |
| SALEABLE | NOT APPLICABLE | 34566-3133     | 0                 | C                | BLUE               | 72  |    | 70 |    | 68 | 67 | 66 |    |    | 63 | 62 |    |    | 59 |    | 57 |    |    |    | 53 |    |    |    |
|          |                |                |                   |                  |                    | 52  | 51 |    |    | 48 | 47 | 46 |    | 44 |    | 42 |    | 40 | 39 |    |    |    |    |    |    | 34 | 33 |    |
|          |                |                |                   |                  |                    | 73  |    |    | 32 |    | 30 |    |    | 26 | 25 | 24 |    |    | 22 | 21 | 20 |    |    |    |    |    |    |    |
| SALEABLE | NOT APPLICABLE | 34566-3143     | 0                 | C                | BLUE               | 72  |    | 70 |    |    |    | 66 |    |    | 63 | 62 |    |    | 59 |    | 57 |    |    |    | 53 |    |    |    |
|          |                |                |                   |                  |                    | 52  | 51 |    |    |    |    | 46 |    | 44 |    | 42 |    | 40 | 39 |    |    |    |    |    |    | 34 | 33 |    |
|          |                |                |                   |                  |                    | 73  |    |    | 32 |    | 30 |    |    | 26 | 25 | 24 |    |    | 22 | 21 |    |    |    |    |    |    |    |    |
| SALEABLE | NOT APPLICABLE | 34566-3153     | 0                 | A                | BLACK              | 52  | 71 |    | 69 |    |    |    |    |    | 63 |    |    |    | 58 |    |    | 56 |    | 54 |    |    |    |    |
|          |                |                |                   |                  |                    |   | 51 |    | 49 |    |    |    | 47 |    |    | 44 | 43 | 42 | 41 |    |    |    |    | 36 |    | 34 |    |    |
|          |                |                |                   |                  |                    | 73  |    |    | 32 |    |    |    |    | 28 |    | 26 |    |    |    |    |    |    |    |    |    | 19 | 18 |    |
| SALEABLE | NOT APPLICABLE | 34566-3163     | 0                 | C                | BLUE               | 72  |    | 70 |    |    |    |    |    |    | 63 | 62 |    |    | 59 |    | 57 | 56 | 55 |    | 53 |    |    |    |
|          |                |                |                   |                  |                    | 52  | 51 |    |    |    |    | 46 |    | 44 |    | 42 |    | 40 | 39 |    |    |    |    |    |    | 34 | 33 |    |
|          |                |                |                   |                  |                    | 73  |    |    | 32 |    | 30 |    |    | 26 | 25 | 24 |    |    | 22 | 21 |    |    |    |    |    | 19 | 18 |    |
| SALEABLE | NOT APPLICABLE | 34566-3173     | 0                 | A                | BLACK              | 52  | 71 |    | 69 |    |    |    |    |    | 63 |    |    |    | 58 |    |    | 56 |    | 54 |    |    |    |    |
|          |                |                |                   |                  |                    |   | 51 |    | 49 |    |    |    | 47 |    |    | 44 | 43 | 42 | 41 |    |    |    |    | 36 |    | 34 |    |    |
|          |                |                |                   |                  |                    | 73  |    |    | 32 |    |    |    |    | 28 |    | 26 |    |    |    |    |    |    |    |    |    | 19 | 18 | 17 |
| SALEABLE | NOT APPLICABLE | 34566-3183     | 0                 | C                | BLUE               | 72  |    | 70 |    |    |    | 66 |    |    | 63 | 62 |    |    | 59 |    | 57 | 56 | 55 |    | 53 |    |    |    |
|          |                |                |                   |                  |                    | 52  | 51 |    |    |    |    | 46 |    | 44 |    | 42 |    | 40 | 39 |    |    |    |    |    |    | 34 | 33 |    |
|          |                |                |                   |                  |                    | 73  |    |    | 32 |    | 30 |    |    | 26 | 25 | 24 |    |    | 22 | 21 |    |    |    |    |    |    |    |    |
| SALEABLE | NOT APPLICABLE | 34566-3193     | 0                 | A                | BLACK              | 52  | 71 |    | 69 |    |    |    |    |    | 63 |    |    |    | 58 |    |    | 56 | 55 | 54 | 53 |    |    |    |
|          |                |                |                   |                  |                    |   | 51 |    | 49 |    |    |    | 47 |    |    | 44 | 43 | 42 | 41 |    |    |    |    |    | 36 | 35 | 34 | 33 |
|          |                |                |                   |                  |                    | 73  |    |    | 32 |    |    |    |    | 28 |    | 26 |    |    |    |    |    |    |    |    |    | 19 | 18 | 17 |
| SALEABLE | NOT APPLICABLE | 34566-3213     | 0                 | C                | BLUE               | 72  |    | 70 |    |    |    | 67 | 66 |    |    | 63 | 62 |    |    | 59 |    | 57 |    |    | 53 |    |    |    |
|          |                |                |                   |                  |                    | 52  | 51 |    |    |    |    | 46 |    | 44 |    | 42 |    | 40 | 39 |    |    |    |    |    |    | 34 | 33 |    |
|          |                |                |                   |                  |                    | 73  |    |    | 32 |    | 30 |    |    | 26 | 25 | 24 |    |    | 22 | 21 |    |    |    |    |    |    |    |    |
| SALEABLE | NOT APPLICABLE | 34566-3223     | 0                 | C                | BLUE               | 72  |    | 70 |    |    |    | 67 | 66 |    |    | 63 | 62 |    |    | 59 |    | 57 |    |    | 53 |    |    |    |
|          |                |                |                   |                  |                    | 52  | 51 |    |    |    |    | 46 |    | 44 |    | 42 |    | 40 | 39 |    |    |    |    |    |    | 34 | 33 |    |
|          |                |                |                   |                  |                    | 73  |    |    | 32 |    | 30 |    |    | 27 | 26 | 25 |    |    | 22 | 21 |    |    |    |    |    |    |    |    |









MX123 52/66/73/80-WAY RECEPTACLE ASSY SEALED PIN OUT SHEET

| STATUS   | GM PART #      | HRNS CONN ASSY |                   |                  | TPA                | GROMMET CAP                                 |    |    |    |    |    |    |    |    |    |    |    |    |    |    |    |    |    |    |    |    |    |
|----------|----------------|----------------|-------------------|------------------|--------------------|---|----|----|----|----|----|----|----|----|----|----|----|----|----|----|----|----|----|----|----|----|----|
|          |                | MATERIAL/PART  | WIRE DRESS OPTION | KEY OPTION<br>Fp | COLOR OPTION<br>Fp | NUMBERS INDICATE CAVITIES OPEN FOR CIRCUITS |    |    |    |    |    |    |    |    |    |    |    |    |    |    |    |    |    |    |    |    |    |
|          |                | NUMBER         |                   |                  |                    | Fp  |    |    |    |    |    |    |    |    |    |    |    |    |    |    |    |    |    |    |    |    |    |
| SALEABLE | NOT APPLICABLE | 34566-3733     | 0                 | B                | ST GRAY            | 72  | 71 | 70 |    | 68 | 67 | 66 |    |    |    | 62 | 61 | 60 | 59 | 58 | 57 | 56 | 55 | 54 | 53 |    |    |
|          |                |                |                   |                  |                    | 52  | 51 | 50 |    | 48 | 47 | 46 |    |    |    | 42 | 41 | 40 | 39 | 38 | 37 | 36 | 35 | 34 | 33 |    |    |
|          |                |                |                   |                  |                    | 73  |    |    | 32 | 31 | 30 | 29 | 28 | 27 | 26 | 25 | 24 | 23 |    |    |    |    |    |    |    |    |    |
| SALEABLE | NOT APPLICABLE | 34566-3743     | 0                 | C                | BLUE               | 72  |    | 70 |    | 68 |    | 66 |    |    | 63 | 62 |    |    | 59 |    | 57 |    |    | 53 |    |    |    |
|          |                |                |                   |                  |                    | 52  | 51 |    |    | 48 | 47 | 46 |    | 44 |    | 42 |    | 40 | 39 | 38 |    |    |    |    | 34 | 33 |    |
|          |                |                |                   |                  |                    | 73  |    |    | 32 |    | 30 |    |    | 27 | 26 | 25 |    |    | 22 | 21 |    |    |    |    |    |    |    |
| SALEABLE | NOT APPLICABLE | 34566-3753     | 0                 | C                | BLUE               | 72  |    | 70 |    | 68 |    | 66 |    |    | 63 | 62 |    |    | 59 |    | 57 |    |    | 53 |    |    |    |
|          |                |                |                   |                  |                    | 52  | 51 |    |    | 48 | 47 | 46 |    | 44 |    | 42 |    | 40 | 39 |    |    |    |    |    | 34 | 33 |    |
|          |                |                |                   |                  |                    | 73  |    |    | 32 |    | 30 |    |    | 27 | 26 | 25 |    |    | 22 | 21 |    |    |    |    |    |    |    |
| SALEABLE | NOT APPLICABLE | 34566-3763     | 0                 | C                | BLUE               | 72  |    | 70 |    | 68 |    | 66 |    |    | 63 | 62 |    |    | 59 |    | 57 | 56 | 55 | 54 | 53 |    |    |
|          |                |                |                   |                  |                    | 52  | 51 |    |    | 48 | 47 | 46 |    | 44 |    | 42 |    | 40 | 39 |    |    |    |    |    | 34 | 33 |    |
|          |                |                |                   |                  |                    | 73  |    |    | 32 |    | 30 |    |    | 27 | 26 | 25 |    |    | 22 | 21 |    |    |    |    |    |    |    |
| SALEABLE | NOT APPLICABLE | 34566-3773     | 0                 | A                | BLACK              |   |    | 70 | 69 |    |    |    |    |    | 63 |    |    |    | 58 |    | 56 | 55 | 54 | 53 |    |    |    |
|          |                |                |                   |                  |                    | 52  | 51 | 50 | 49 |    |    |    |    | 44 | 43 | 42 | 41 |    | 39 |    |    |    |    | 36 |    | 34 |    |
|          |                |                |                   |                  |                    | 73  |    |    | 32 |    |    |    |    | 28 |    | 26 |    |    |    |    |    |    |    |    | 19 | 18 |    |
| SALEABLE | NOT APPLICABLE | 34566-3783     | 0                 | A                | BLACK              |   |    | 70 | 69 |    |    |    |    |    | 63 |    |    |    | 58 |    | 56 | 55 | 54 | 53 |    |    |    |
|          |                |                |                   |                  |                    | 52  | 51 | 50 | 49 |    |    |    |    | 44 | 43 | 42 | 41 |    | 39 |    |    |    |    | 36 |    | 34 |    |
|          |                |                |                   |                  |                    | 73  |    |    | 32 |    |    |    |    | 28 |    | 26 |    |    |    |    |    |    |    |    | 19 | 18 | 17 |
| SALEABLE | NOT APPLICABLE | 34566-3793     | 0                 | A                | BLACK              |   | 71 | 70 |    |    |    |    |    | 64 | 63 |    |    | 60 |    | 58 | 57 | 56 | 55 | 54 | 53 |    |    |
|          |                |                |                   |                  |                    | 52  | 51 |    | 49 |    |    |    | 45 | 44 | 43 | 42 | 41 |    |    |    | 37 | 36 |    |    | 34 |    |    |
|          |                |                |                   |                  |                    | 73  |    |    | 32 |    | 30 |    |    | 28 |    | 26 |    |    | 23 |    | 21 |    |    |    | 19 | 18 |    |
| SALEABLE | NOT APPLICABLE | 34566-3813     | 0                 | C                | BLUE               | 72  |    | 70 |    | 68 |    | 66 |    |    | 63 | 62 |    |    | 59 |    | 57 |    |    | 53 |    |    |    |
|          |                |                |                   |                  |                    | 52  | 51 |    |    | 48 | 47 | 46 |    | 44 |    | 42 |    | 40 | 39 | 38 | 37 | 36 |    |    | 34 | 33 |    |
|          |                |                |                   |                  |                    | 73  |    |    | 32 |    | 30 |    |    |    | 26 | 25 | 24 |    |    | 22 | 21 | 20 |    |    |    |    |    |
| SALEABLE | NOT APPLICABLE | 34566-3823     | 0                 | A                | BLACK              |   |    | 70 | 69 |    |    |    |    |    | 63 |    | 61 |    |    | 58 | 57 | 56 | 55 | 54 | 53 |    |    |
|          |                |                |                   |                  |                    | 52  | 51 |    | 49 |    |    |    |    | 44 | 43 | 42 | 41 |    |    |    | 37 | 36 |    |    | 34 |    |    |
|          |                |                |                   |                  |                    | 73  |    |    | 32 |    |    |    |    | 27 | 26 |    |    |    |    |    |    |    |    |    | 19 | 18 |    |
| SALEABLE | NOT APPLICABLE | 34566-3833     | 0                 | A                | BLACK              |   |    | 70 | 69 |    |    |    |    |    | 63 | 62 | 61 |    |    | 57 | 56 | 55 | 54 | 53 |    |    |    |
|          |                |                |                   |                  |                    | 52  | 51 |    | 49 |    |    |    |    | 44 | 43 | 42 | 41 |    |    |    | 37 | 36 |    |    | 34 |    |    |
|          |                |                |                   |                  |                    | 73  |    |    | 32 |    |    | 29 | 28 | 27 | 26 |    |    | 23 |    |    |    |    |    |    | 19 | 18 |    |
| SALEABLE | NOT APPLICABLE | 34566-3843     | 0                 | A                | BLACK              | 72  | 71 | 70 | 69 | 68 | 67 | 66 |    |    | 64 | 63 | 62 |    | 60 | 59 |    |    |    | 55 | 54 | 53 |    |
|          |                |                |                   |                  |                    | 52  |    |    | 49 | 48 |    |    |    | 44 | 43 | 42 | 41 | 40 | 39 |    |    |    |    |    | 35 | 34 | 33 |
|          |                |                |                   |                  |                    | 73  |    |    | 32 |    |    | 29 | 28 | 27 |    | 25 | 24 | 23 |    |    |    |    |    |    | 19 | 18 | 17 |
| SALEABLE | NOT APPLICABLE | 34566-3853     | 0                 | A                | BLACK              | 72  | 71 | 70 | 69 | 68 | 67 | 66 | 65 | 64 | 63 | 62 |    | 60 | 59 |    |    |    |    | 55 | 54 | 53 |    |
|          |                |                |                   |                  |                    | 52  |    |    | 49 | 48 |    |    | 45 | 44 | 43 | 42 | 41 | 40 | 39 |    |    |    |    |    | 35 | 34 | 33 |
|          |                |                |                   |                  |                    | 73  |    |    | 32 |    |    | 29 | 28 | 27 |    | 25 | 24 | 23 |    |    |    |    |    |    | 19 | 18 | 17 |
| SALEABLE | NOT APPLICABLE | 34566-3863     | 0                 | B                | ST GRAY            | 72  | 71 | 70 |    | 68 | 67 | 66 |    |    |    | 62 | 61 | 60 | 59 | 58 | 57 | 56 | 55 | 54 | 53 |    |    |
|          |                |                |                   |                  |                    | 52  | 51 | 50 |    | 48 | 47 | 46 |    |    |    | 42 | 41 | 40 | 39 | 38 | 37 | 36 | 35 | 34 | 33 |    |    |
|          |                |                |                   |                  |                    | 73  |    |    | 32 | 31 | 30 | 29 | 28 | 27 | 26 | 25 | 24 |    |    |    |    |    |    |    |    |    | 2  |
| SALEABLE | NOT APPLICABLE | 34566-3873     | 0                 | B                | ST GRAY            |   |    |    |    |    |    |    |    |    | 63 |    |    |    | 59 | 58 | 57 | 56 | 55 |    |    |    |    |
|          |                |                |                   |                  |                    |   |    | 50 | 49 | 48 |    | 46 | 45 |    | 43 |    |    |    |    | 39 | 38 | 37 | 36 | 35 | 34 |    |    |
|          |                |                |                   |                  |                    | 73  |    |    |    |    |    | 29 | 28 | 27 |    |    |    |    | 23 | 22 | 21 |    |    |    |    | 18 |    |
| SALEABLE | NOT APPLICABLE | 34566-3883     | 0                 | B                | ST GRAY            |   |    |    |    |    | 67 | 66 |    |    |    |    |    | 59 | 58 | 57 | 56 | 55 |    | 53 |    |    |    |
|          |                |                |                   |                  |                    |   |    | 50 | 49 | 48 |    |    | 45 |    |    |    |    |    | 39 | 38 | 37 | 36 | 35 | 34 | 33 |    |    |
|          |                |                |                   |                  |                    | 73  |    |    |    |    |    | 29 |    |    |    |    |    |    | 23 | 22 | 21 |    |    |    |    | 18 |    |



MX123 52/66/73/80-WAY RECEPTACLE ASSY SEALED PIN OUT SHEET

| STATUS   | GM PART #      | HRNS CONN ASSY |                   |                  | TPA                | GROMMET CAP                                 |    |    |    |    |    |    |    |    |    |    |    |    |    |    |    |    |    |    |    |    |    |    |    |    |  |
|----------|----------------|----------------|-------------------|------------------|--------------------|---|----|----|----|----|----|----|----|----|----|----|----|----|----|----|----|----|----|----|----|----|----|----|----|----|--|
|          |                | MATERIAL/PART  | WIRE DRESS OPTION | KEY OPTION<br>Fp | COLOR OPTION<br>Fp | NUMBERS INDICATE CAVITIES OPEN FOR CIRCUITS |    |    |    |    |    |    |    |    |    |    |    |    |    |    |    |    |    |    |    |    |    |    |    |    |  |
|          |                | NUMBER         |                   |                  |                    | Fp  |    |    |    |    |    |    |    |    |    |    |    |    |    |    |    |    |    |    |    |    |    |    |    |    |  |
| SALEABLE | NOT APPLICABLE | 34566-4063     | 0                 | B                | ST GRY             |   |    |    |    | 68 | 67 |    |    | 64 |    |    |    |    | 59 | 58 |    |    |    |    | 54 |    |    |    |    |    |  |
|          |                |                |                   |                  |                    |   |    |    |    |    |    |    |    |    |    |    |    |    |    |    |    |    |    |    |    |    |    |    |    |    |  |
|          |                |                |                   |                  |                    |   |    |    |    |    |    |    |    |    |    |    |    |    |    |    |    |    |    |    |    |    |    |    |    |    |  |
| SALEABLE | NOT APPLICABLE | 34566-4073     | 0                 | A                | BLACK              | 72  |    |    | 70 |    |    |    |    | 66 |    |    | 63 | 62 |    |    | 59 |    | 57 | 56 | 55 |    | 53 |    |    |    |  |
|          |                |                |                   |                  |                    | 52  | 51 |    |    |    |    | 46 |    | 44 |    | 42 |    | 40 | 39 |    | 37 | 36 |    |    |    |    | 34 | 33 |    |    |  |
|          |                |                |                   |                  |                    |   |    |    |    |    |    |    |    |    |    |    |    |    |    |    |    |    |    |    |    |    |    |    |    |    |  |
| SALEABLE | NOT APPLICABLE | 34566-4083     | 0                 | C                | BLUE               | 72  |    |    | 70 |    |    |    |    | 68 |    |    | 63 | 62 |    |    | 59 | 58 | 57 |    |    |    | 53 |    |    |    |  |
|          |                |                |                   |                  |                    | 52  | 51 |    |    |    |    | 48 | 47 |    |    | 44 |    | 42 |    | 40 | 39 | 38 | 37 | 36 |    |    | 34 | 33 |    |    |  |
|          |                |                |                   |                  |                    |   |    |    |    |    |    |    |    |    |    |    |    |    |    |    |    |    |    |    |    |    |    |    |    |    |  |
| SALEABLE | NOT APPLICABLE | 34566-4093     | 0                 | A                | BLACK              |   | 71 | 70 | 69 |    |    |    |    | 67 |    |    | 64 | 63 |    |    | 60 |    |    | 57 | 56 | 55 | 54 | 53 |    |    |  |
|          |                |                |                   |                  |                    | 52  | 51 |    | 49 |    |    |    | 47 |    | 45 | 44 | 43 | 42 | 41 |    |    |    |    |    |    |    | 37 | 36 |    | 34 |  |
|          |                |                |                   |                  |                    |   |    |    |    |    |    |    |    |    |    |    |    |    |    |    |    |    |    |    |    |    |    |    |    |    |  |
| SALEABLE | NOT APPLICABLE | 34566-4113     | 0                 | B                | ST GRY             |   |    |    |    |    |    |    |    | 68 | 67 |    |    | 64 |    |    |    |    |    |    |    |    |    |    |    |    |  |
|          |                |                |                   |                  |                    |   |    |    |    |    |    |    |    |    |    |    |    |    |    |    |    |    |    |    |    |    |    |    |    |    |  |
|          |                |                |                   |                  |                    |   |    |    |    |    |    |    |    |    |    |    |    |    |    |    |    |    |    |    |    |    |    |    |    |    |  |
| SALEABLE | NOT APPLICABLE | 34566-4123     | 9                 | A                | BLACK              | 72  |    |    |    | 69 |    |    |    | 67 | 66 | 65 |    | 63 |    |    | 60 |    |    | 57 | 56 |    |    | 53 |    |    |  |
|          |                |                |                   |                  |                    |   |    |    | 49 |    |    |    | 47 | 46 |    | 44 | 43 | 42 |    | 40 |    |    |    |    |    |    | 37 | 36 | 35 | 33 |  |
|          |                |                |                   |                  |                    |   |    |    |    |    |    |    |    |    |    |    |    |    |    |    |    |    |    |    |    |    |    |    |    |    |  |
| SALEABLE | NOT APPLICABLE | 34566-4133     | 9                 | B                | ST GRY             |   |    |    |    |    |    |    |    | 68 | 67 |    |    | 64 |    |    |    |    | 59 | 58 |    |    |    | 54 |    |    |  |
|          |                |                |                   |                  |                    |   |    |    |    |    |    |    |    |    |    |    |    |    |    |    |    |    |    |    |    |    |    |    |    |    |  |
|          |                |                |                   |                  |                    |   |    |    |    |    |    |    |    |    |    |    |    |    |    |    |    |    |    |    |    |    |    |    |    |    |  |
| SALEABLE | NOT APPLICABLE | 34566-4143     | 0                 | B                | ST GRY             |   |    |    |    |    |    |    |    | 68 | 67 |    |    | 64 |    |    |    |    | 59 | 58 |    |    |    | 54 |    |    |  |
|          |                |                |                   |                  |                    |   |    |    |    |    |    |    |    |    |    |    |    |    |    |    |    |    |    |    |    |    |    |    |    |    |  |
|          |                |                |                   |                  |                    |   |    |    |    |    |    |    |    |    |    |    |    |    |    |    |    |    |    |    |    |    |    |    |    |    |  |
| SALEABLE | NOT APPLICABLE | 34566-4153     | 0                 | B                | ST GRY             | 72  |    |    | 70 |    |    |    |    | 68 |    |    | 66 |    |    |    | 60 | 59 |    |    |    |    | 55 | 54 | 53 |    |  |
|          |                |                |                   |                  |                    | 52  |    | 50 |    |    |    | 48 |    | 46 |    | 44 |    |    |    | 40 | 39 |    |    |    |    |    |    | 35 | 34 | 33 |  |
|          |                |                |                   |                  |                    |   |    |    |    |    |    |    |    |    |    |    |    |    |    |    |    |    |    |    |    |    |    |    |    |    |  |
| SALEABLE | NOT APPLICABLE | 34566-4163     | 0                 | B                | ST GRY             | 72  |    |    | 70 |    |    |    |    | 68 |    |    | 66 |    |    |    | 60 | 59 |    |    |    |    | 55 | 54 | 53 |    |  |
|          |                |                |                   |                  |                    | 52  |    | 50 |    |    |    | 48 |    | 46 |    |    |    |    | 40 | 39 |    |    |    |    |    |    |    | 35 | 34 | 33 |  |
|          |                |                |                   |                  |                    |   |    |    |    |    |    |    |    |    |    |    |    |    |    |    |    |    |    |    |    |    |    |    |    |    |  |
| SALEABLE | NOT APPLICABLE | 34566-4173     | 0                 | A                | BLACK              | 72  | 71 | 70 | 69 |    |    |    |    |    |    | 64 | 63 |    |    | 60 | 59 | 58 |    |    | 56 | 55 | 54 | 53 |    |    |  |
|          |                |                |                   |                  |                    | 52  | 51 |    | 49 |    |    |    | 47 |    | 45 | 44 | 43 | 42 | 41 |    |    |    |    |    |    |    | 38 | 36 |    | 34 |  |
|          |                |                |                   |                  |                    |   |    |    |    |    |    |    |    |    |    |    |    |    |    |    |    |    |    |    |    |    |    |    |    |    |  |
| SALEABLE | NOT APPLICABLE | 34566-4183     | 0                 | C                | BLUE               | 72  |    |    | 70 |    |    |    |    | 68 |    |    | 66 |    |    | 63 | 62 |    |    | 59 | 58 | 57 |    |    | 53 |    |  |
|          |                |                |                   |                  |                    | 52  | 51 |    |    |    |    | 48 | 47 | 46 |    | 44 |    | 42 |    | 40 | 39 |    |    |    |    |    |    |    | 34 | 33 |  |
|          |                |                |                   |                  |                    |   |    |    |    |    |    |    |    |    |    |    |    |    |    |    |    |    |    |    |    |    |    |    |    |    |  |
| SALEABLE | NOT APPLICABLE | 34566-4193     | 0                 | C                | BLUE               |   | 71 |    | 69 |    |    |    |    |    |    | 65 | 64 |    |    | 61 | 60 |    |    | 58 |    | 56 | 55 | 54 |    |    |  |
|          |                |                |                   |                  |                    |   |    | 50 | 49 |    |    |    |    |    | 45 |    | 43 |    | 41 |    |    |    |    |    |    |    | 38 | 37 | 36 | 35 |  |
|          |                |                |                   |                  |                    |   |    |    |    |    |    |    |    |    |    |    |    |    |    |    |    |    |    |    |    |    |    |    |    |    |  |
| SALEABLE | NOT APPLICABLE | 34566-4213     | 0                 | A                | BLACK              | 72  | 71 |    |    |    |    |    |    | 68 | 67 | 66 | 65 | 64 |    |    | 60 | 59 | 58 |    |    |    |    |    |    |    |  |
|          |                |                |                   |                  |                    |   |    | 50 |    |    |    | 48 | 47 | 46 | 45 |    |    |    |    |    |    | 40 | 39 | 38 |    |    |    |    | 35 |    |  |
|          |                |                |                   |                  |                    |   |    |    |    |    |    |    |    |    |    |    |    |    |    |    |    |    |    |    |    |    |    |    |    |    |  |
| SALEABLE | NOT APPLICABLE | 34566-4223     | 0                 | A                | BLACK              | 72  | 71 |    |    |    |    |    |    | 68 | 67 | 66 | 65 | 64 |    |    | 60 | 59 |    |    |    |    |    |    |    |    |  |
|          |                |                |                   |                  |                    |   |    | 50 |    |    |    | 48 | 47 | 46 | 45 |    |    |    |    |    |    | 40 | 39 | 38 |    |    |    |    | 35 | 33 |  |
|          |                |                |                   |                  |                    |   |    |    |    |    |    |    |    |    |    |    |    |    |    |    |    |    |    |    |    |    |    |    |    |    |  |



MX123 52/66/73/80-WAY RECEPTACLE ASSY SEALED PIN OUT SHEET

| STATUS   | GM PART #      | HRNS CONN ASSY |                   |                  | TPA                | GROMMET CAP                                 |    |    |    |    |    |    |    |    |    |    |    |    |    |    |    |    |    |    |    |    |    |    |    |
|----------|----------------|----------------|-------------------|------------------|--------------------|---|----|----|----|----|----|----|----|----|----|----|----|----|----|----|----|----|----|----|----|----|----|----|----|
|          |                | MATERIAL/PART  | WIRE DRESS OPTION | KEY OPTION<br>Fp | COLOR OPTION<br>Fp | NUMBERS INDICATE CAVITIES OPEN FOR CIRCUITS |    |    |    |    |    |    |    |    |    |    |    |    |    |    |    |    |    |    |    |    |    |    |    |
|          |                | NUMBER         |                   |                  |                    | Fp  |    |    |    |    |    |    |    |    |    |    |    |    |    |    |    |    |    |    |    |    |    |    |    |
| SALEABLE | NOT APPLICABLE | 34566-4393     | 0                 | G                | BLUE               |   |    | 78 | 77 |    | 75 | 74 |    | 72 |    | 70 | 69 |    | 67 |    | 65 | 64 | 63 | 62 |    |    |    |    |    |
|          |                |                |                   |                  |                    | 60  |    | 58 | 57 |    | 55 | 54 |    | 52 | 51 | 50 | 49 |    | 47 |    | 45 |    |    |    |    |    |    |    |    |
|          |                |                |                   |                  |                    | 40  |    | 38 | 37 |    |    |    |    | 33 | 32 | 31 |    |    |    | 27 | 26 | 25 | 24 |    |    |    |    |    |    |
|          |                |                |                   |                  |                    | 20  |    | 18 | 17 |    |    |    |    |    |    |    |    | 10 | 9  | 8  |    | 6  | 5  |    |    | 3  | 2  | 1  |    |
| SALEABLE | NOT APPLICABLE | 34566-4413     | 0                 | B                | ST GRAY            |   |    |    |    |    |    |    |    | 63 |    |    | 59 | 58 | 57 | 56 | 55 |    | 53 |    |    |    |    |    |    |
|          |                |                |                   |                  |                    |   |    | 50 | 49 | 48 |    | 46 |    | 43 |    |    | 39 | 38 | 37 | 36 | 35 | 34 | 33 |    |    |    |    |    |    |
|          |                |                |                   |                  |                    | 73  |    |    |    |    |    |    | 29 |    | 27 |    |    |    | 23 | 22 | 21 |    |    |    | 18 |    |    |    |    |
|          |                |                |                   |                  |                    |   |    |    |    | 16 | 15 | 14 |    |    |    |    |    |    |    | 7  | 6  | 5  | 4  | 3  |    |    |    |    |    |
| SALEABLE | NOT APPLICABLE | 34566-4423     | 9                 | C                | BLUE               | 72  |    | 70 |    | 68 | 67 | 66 |    | 63 | 62 |    | 59 |    | 57 |    |    |    |    | 53 |    |    |    |    |    |
|          |                |                |                   |                  |                    | 52  | 51 |    |    | 48 | 47 | 46 |    | 44 |    | 42 |    | 40 | 39 | 38 | 37 | 36 |    |    | 34 | 33 |    |    |    |
|          |                |                |                   |                  |                    | 73  |    |    |    |    |    |    |    | 32 |    | 30 |    |    | 27 | 26 | 25 | 24 |    | 22 | 21 |    |    |    |    |
|          |                |                |                   |                  |                    |   |    |    |    |    |    | 15 | 14 |    |    |    |    | 10 | 9  | 8  |    | 6  | 5  | 4  |    |    | 2  |    |    |
| SALEABLE | NOT APPLICABLE | 34566-4433     | 9                 | A                | BLACK              |   |    | 70 | 69 |    |    |    |    | 63 | 62 | 61 | 60 |    | 58 | 57 | 56 | 55 | 54 | 53 |    |    |    |    |    |
|          |                |                |                   |                  |                    | 52  | 51 | 50 | 49 |    |    |    |    | 44 | 43 | 42 | 41 | 40 |    |    | 37 | 36 |    |    | 34 | 33 |    |    |    |
|          |                |                |                   |                  |                    | 73  |    |    |    |    |    |    |    | 32 |    |    | 29 | 28 | 27 | 26 |    |    |    |    |    | 19 | 18 |    |    |
|          |                |                |                   |                  |                    |   |    |    |    | 16 | 15 | 14 | 13 | 12 | 11 | 10 |    |    |    |    |    |    |    |    |    |    | 3  |    |    |
| SALEABLE | NOT APPLICABLE | 34566-4443     | 9                 | A                | BLACK              |   |    |    |    |    | 67 | 66 |    |    |    |    |    |    |    |    |    |    |    |    |    |    |    |    |    |
|          |                |                |                   |                  |                    |   |    |    |    | 48 | 47 |    |    |    |    |    | 41 |    |    |    |    |    |    |    |    |    |    |    |    |
|          |                |                |                   |                  |                    | 73  |    |    |    |    |    |    |    | 32 | 31 | 30 | 29 |    | 27 | 26 | 25 |    |    | 22 | 21 |    | 19 | 18 | 17 |
|          |                |                |                   |                  |                    |   |    |    |    | 16 | 15 | 14 | 13 |    |    |    |    |    |    |    |    |    |    |    |    |    |    |    | 1  |
| SALEABLE | NOT APPLICABLE | 34566-4453     | 0                 | A                | BLACK              | 72  | 71 | 70 | 69 |    |    |    |    | 63 | 62 | 61 | 60 | 59 | 58 | 57 | 56 | 55 | 54 | 53 |    |    |    |    |    |
|          |                |                |                   |                  |                    | 52  | 51 | 50 | 49 | 48 |    | 46 | 45 | 44 | 43 | 42 |    | 40 | 39 | 38 | 37 | 36 | 35 | 34 | 33 |    |    |    |    |
|          |                |                |                   |                  |                    | 73  |    |    |    |    |    |    |    |    |    | 28 |    |    |    | 24 | 23 |    |    |    |    | 20 |    |    |    |
|          |                |                |                   |                  |                    |   |    |    |    |    |    |    |    |    | 12 | 11 |    |    |    |    |    |    |    |    |    |    | 2  | 1  |    |
| SALEABLE | NOT APPLICABLE | 34566-4463     | 9                 | B                | ST GRAY            |   |    |    |    |    |    |    |    | 63 |    |    |    |    |    |    |    |    |    | 53 |    |    |    |    |    |
|          |                |                |                   |                  |                    |   |    |    |    | 48 | 47 |    | 45 |    | 43 | 42 |    | 39 |    |    |    |    |    |    | 35 | 34 | 33 |    |    |
|          |                |                |                   |                  |                    | 73  |    |    |    |    |    |    |    |    |    |    |    | 11 |    |    |    |    |    |    |    | 19 |    |    |    |
|          |                |                |                   |                  |                    |   |    |    |    |    |    |    |    |    |    |    |    |    |    |    |    |    |    |    |    |    |    | 1  |    |
| SALEABLE | NOT APPLICABLE | 34566-4473     | 0                 | B                | ST GRAY            |   |    |    |    |    |    |    | 64 | 63 | 62 |    | 59 | 58 |    |    |    |    |    | 53 |    |    |    |    |    |
|          |                |                |                   |                  |                    |   |    |    |    |    |    | 47 |    | 45 |    | 43 | 42 |    | 39 |    |    |    |    |    | 35 | 34 | 33 |    |    |
|          |                |                |                   |                  |                    | 73  |    |    |    |    |    |    |    |    |    |    |    |    | 26 | 25 |    | 23 | 22 |    |    |    |    |    |    |
|          |                |                |                   |                  |                    |   |    |    |    |    |    |    |    |    |    |    |    |    |    |    |    |    |    |    |    |    | 3  | 1  |    |
| SALEABLE | NOT APPLICABLE | 34566-4483     | 9                 | C                | BLUE               | 72  |    | 70 |    | 68 | 67 | 66 |    | 63 | 62 |    | 59 | 58 | 57 | 56 | 55 |    | 53 |    |    |    |    |    |    |
|          |                |                |                   |                  |                    | 52  | 51 |    | 49 | 48 | 47 | 46 |    | 44 |    |    | 40 | 39 | 38 | 37 | 36 |    |    | 34 | 33 |    |    |    |    |
|          |                |                |                   |                  |                    | 73  |    |    |    |    |    |    |    | 32 |    | 30 |    |    | 27 | 26 | 25 | 24 | 23 | 22 | 21 | 20 | 19 | 18 | 17 |
|          |                |                |                   |                  |                    |   |    |    |    |    |    | 15 | 14 | 13 |    |    |    | 10 | 9  | 8  | 7  | 6  | 5  | 4  | 3  | 2  | 1  |    |    |
| SALEABLE | NOT APPLICABLE | 34566-4493     | 9                 | A                | BLACK              | 72  | 71 | 70 | 69 |    |    |    | 64 | 63 | 62 | 61 | 60 | 59 | 58 | 57 | 56 | 55 | 54 | 53 |    |    |    |    |    |
|          |                |                |                   |                  |                    | 52  | 51 | 50 | 49 | 48 | 47 |    | 45 | 44 | 43 | 42 | 41 | 40 | 39 |    | 37 | 36 |    |    | 34 |    |    |    |    |
|          |                |                |                   |                  |                    | 73  |    |    |    |    |    |    |    | 32 |    | 30 | 29 | 28 | 27 | 26 |    | 24 | 23 |    | 21 |    | 19 | 18 | 17 |
|          |                |                |                   |                  |                    |   |    |    |    | 16 | 15 | 14 | 13 | 12 | 11 | 10 |    |    |    | 8  |    |    | 5  |    |    | 3  | 2  | 1  |    |
| SALEABLE | NOT APPLICABLE | 34566-4513     | 9                 | B                | ST GRAY            | 72  | 71 | 70 |    | 68 | 67 | 66 |    |    |    | 62 | 61 | 60 | 59 | 58 | 57 | 56 | 55 | 54 | 53 |    |    |    |    |
|          |                |                |                   |                  |                    | 52  | 51 | 50 |    | 48 | 47 | 46 |    |    |    | 42 | 41 | 40 | 39 | 38 | 37 | 36 | 35 | 34 | 33 |    |    |    |    |
|          |                |                |                   |                  |                    | 73  |    |    |    |    |    |    |    | 32 | 31 | 30 | 29 | 28 | 27 | 26 | 25 | 24 | 23 |    |    |    | 19 | 18 | 17 |
|          |                |                |                   |                  |                    |   |    |    |    | 16 | 15 | 14 | 13 |    |    |    |    | 10 |    | 8  | 7  |    |    |    |    | 3  | 2  | 1  |    |
| SALEABLE | NOT APPLICABLE | 34566-4523     | 0                 | G                | BLUE               |   |    | 78 | 77 |    | 75 | 74 |    | 72 |    | 70 | 69 |    | 67 |    | 65 | 64 | 63 | 62 |    |    |    |    |    |
|          |                |                |                   |                  |                    | 60  |    | 58 | 57 |    | 55 | 54 |    | 52 | 51 | 50 | 49 |    | 47 |    | 45 |    |    |    |    |    |    |    |    |
|          |                |                |                   |                  |                    | 40  |    | 38 | 37 |    |    |    |    |    |    | 31 |    |    |    | 27 | 26 | 25 | 24 |    |    |    |    |    |    |
|          |                |                |                   |                  |                    | 20  |    | 18 | 17 |    |    |    |    |    |    |    |    | 10 | 9  | 8  |    | 6  | 5  |    |    | 3  | 2  | 1  |    |
| SALEABLE | NOT APPLICABLE | 34566-4533     | 0                 | A                | BLACK              | 72  |    |    | 69 |    | 67 |    | 65 |    | 63 |    | 60 |    |    | 57 | 56 |    |    | 53 |    |    |    |    |    |
|          |                |                |                   |                  |                    |   |    |    | 49 |    | 47 |    |    | 44 | 43 |    |    | 40 |    |    | 37 | 36 | 35 |    |    | 33 |    |    |    |
|          |                |                |                   |                  |                    | 73  |    |    |    |    |    |    |    |    |    | 31 | 30 | 29 | 28 |    |    | 24 |    |    | 21 | 20 |    | 17 |    |
|          |                |                |                   |                  |                    |   |    |    |    | 16 | 15 | 14 | 13 |    |    |    | 11 | 10 |    |    |    |    | 5  | 4  | 3  | 2  | 1  |    |    |
| SALEABLE | NOT APPLICABLE | 34566-4543     | 0                 | B                | ST GRAY            |   |    |    |    | 68 | 67 |    |    | 64 | 63 |    |    | 58 | 57 |    | 55 |    | 53 |    |    |    |    |    |    |
|          |                |                |                   |                  |                    |   |    |    |    |    |    | 46 | 45 |    | 43 |    |    |    |    | 38 | 37 |    |    | 35 |    |    |    |    |    |
|          |                |                |                   |                  |                    | 73  |    |    |    |    |    |    |    | 32 |    | 30 | 29 | 28 | 27 |    |    |    |    |    |    | 19 |    | 17 |    |
|          |                |                |                   |                  |                    |   |    |    |    |    |    |    |    |    |    |    | 12 |    | 10 |    |    |    |    |    |    |    |    | 1  |    |
| SALEABLE | NOT APPLICABLE | 34566-4553     | 0                 | B                | ST GRAY            |   |    |    |    | 68 | 67 |    |    | 64 | 63 |    |    | 58 | 57 |    |    |    | 53 |    |    |    |    |    |    |
|          |                |                |                   |                  |                    |   |    |    |    |    |    | 46 | 45 |    | 43 |    |    |    |    | 38 | 37 |    |    |    |    |    |    |    |    |
|          |                |                |                   |                  |                    | 73  |    |    |    |    |    |    |    | 32 |    | 30 | 29 | 28 | 27 |    |    |    |    |    |    |    | 17 |    |    |
|          |                |                |                   |                  |                    |   |    |    |    |    |    |    |    |    |    |    |    | 12 |    | 10 |    |    |    |    |    |    |    |    |    |



MX123 52/66/73/80-WAY RECEPTACLE ASSY SEALED PIN OUT SHEET

| STATUS   | GM PART #      | HRNS CONN ASSY |                   |                  | TPA                | GROMMET CAP                                 |    |    |    |    |    |    |    |    |    |    |    |    |    |    |    |    |    |    |    |    |    |    |
|----------|----------------|----------------|-------------------|------------------|--------------------|---|----|----|----|----|----|----|----|----|----|----|----|----|----|----|----|----|----|----|----|----|----|----|
|          |                | MATERIAL/PART  | WIRE DRESS OPTION | KEY OPTION<br>Fp | COLOR OPTION<br>Fp | NUMBERS INDICATE CAVITIES OPEN FOR CIRCUITS |    |    |    |    |    |    |    |    |    |    |    |    |    |    |    |    |    |    |    |    |    |    |
|          |                | NUMBER         |                   |                  |                    | Fp  |    |    |    |    |    |    |    |    |    |    |    |    |    |    |    |    |    |    |    |    |    |    |
| SALEABLE | NOT APPLICABLE | 34566-4733     | 0                 | A                | BLACK              | 72  | 71 | 70 | 69 |    |    |    |    | 64 | 63 |    |    | 60 | 59 | 58 |    | 56 | 55 | 54 | 53 |    |    |    |
|          |                |                |                   |                  |                    | 52  | 51 |    | 49 |    | 47 |    | 45 | 44 | 43 | 42 | 41 |    |    |    |    |    | 21 |    | 36 |    | 19 | 18 |
|          |                |                |                   |                  |                    | 73  |    |    |    | 32 |    | 30 |    | 28 |    | 26 |    |    |    |    |    |    | 8  |    | 5  |    | 3  |    |
| SALEABLE | NOT APPLICABLE | 34566-4743     | 9                 | A                | BLACK              | 72  | 71 | 70 | 69 |    | 67 |    | 65 | 64 | 63 | 62 | 61 | 60 | 59 | 58 | 57 | 56 | 55 | 54 | 53 |    |    |    |
|          |                |                |                   |                  |                    | 52  | 51 | 50 | 49 | 48 | 47 |    | 45 | 44 | 43 | 42 | 41 | 40 | 39 |    | 37 | 36 |    |    |    | 34 |    |    |
|          |                |                |                   |                  |                    | 73  |    |    |    | 32 |    | 30 | 29 | 28 | 27 | 26 |    | 24 | 23 |    | 21 |    |    |    | 19 | 18 | 17 |    |
| SALEABLE | NOT APPLICABLE | 34566-4753     | 0                 | B                | ST GRAY            |   |    |    |    | 68 | 67 |    |    | 64 |    |    |    |    |    | 58 |    |    |    |    |    |    |    |    |
|          |                |                |                   |                  |                    |   |    |    |    |    | 46 | 45 |    |    |    |    |    |    |    |    |    | 38 |    |    |    |    |    |    |
|          |                |                |                   |                  |                    | 73  |    |    |    | 32 |    | 30 | 29 | 28 | 27 |    |    |    |    |    | 22 |    |    |    |    |    |    | 17 |
| SALEABLE | NOT APPLICABLE | 34566-4763     | 0                 | B                | ST GRAY            |   |    |    |    | 68 | 67 |    |    | 64 |    |    |    |    |    |    |    |    |    |    |    |    |    |    |
|          |                |                |                   |                  |                    |   |    |    |    |    | 46 | 45 |    |    |    |    |    |    |    |    |    |    |    |    |    |    |    |    |
|          |                |                |                   |                  |                    | 73  |    |    |    | 32 |    | 30 | 29 | 28 | 27 |    |    |    |    |    |    |    |    |    |    |    |    | 17 |
| SALEABLE | NOT APPLICABLE | 34566-4773     | 0                 | B                | ST GRAY            |   |    |    |    | 68 | 67 |    |    | 64 |    |    |    | 59 | 58 |    |    |    |    | 54 |    |    |    |    |
|          |                |                |                   |                  |                    |   |    |    |    |    | 46 | 45 |    |    |    |    |    |    | 39 | 38 |    |    |    |    |    |    |    |    |
|          |                |                |                   |                  |                    | 73  |    |    |    | 32 |    | 30 | 29 | 28 | 27 |    |    |    | 23 | 22 |    |    |    |    |    |    |    | 17 |
| SALEABLE | NOT APPLICABLE | 34566-4783     | 0                 | B                | ST GRAY            |   |    |    |    | 68 | 67 |    |    | 64 | 63 |    |    |    |    | 58 |    |    |    | 55 |    |    |    |    |
|          |                |                |                   |                  |                    |   |    |    |    |    | 46 | 45 |    | 43 |    |    |    |    |    |    | 38 |    |    |    |    | 35 |    |    |
|          |                |                |                   |                  |                    | 73  |    |    |    | 32 |    | 30 | 29 | 28 | 27 |    |    |    |    |    | 22 |    |    |    |    |    | 19 | 17 |
| SALEABLE | NOT APPLICABLE | 34566-4793     | 0                 | B                | ST GRAY            |   |    |    |    | 68 | 67 |    |    | 64 | 63 |    |    |    |    | 58 |    |    |    |    |    |    |    |    |
|          |                |                |                   |                  |                    |   |    |    |    |    | 46 | 45 |    | 43 |    |    |    |    |    |    | 38 |    |    |    |    |    |    |    |
|          |                |                |                   |                  |                    | 73  |    |    |    | 32 |    | 30 | 29 | 28 | 27 |    |    |    | 10 |    |    |    |    |    |    |    |    | 17 |
| SALEABLE | NOT APPLICABLE | 34566-4813     | 9                 | B                | ST GRAY            |   |    |    |    | 68 | 67 |    |    | 64 |    |    |    | 59 | 58 |    |    |    |    | 54 |    |    |    |    |
|          |                |                |                   |                  |                    |   |    |    |    |    | 46 | 45 |    |    |    |    |    |    | 39 | 38 |    |    |    |    |    |    |    |    |
|          |                |                |                   |                  |                    | 73  |    |    |    | 32 |    | 30 | 29 | 28 | 27 |    |    |    | 10 | 9  | 8  |    | 6  |    |    |    |    | 17 |
| SALEABLE | NOT APPLICABLE | 34566-4823     | 0                 | C                | BLUE               |   |    | 51 | 50 | 49 | 48 | 67 | 66 | 65 | 64 |    |    | 59 | 58 | 57 |    | 55 | 54 | 53 |    |    |    |    |
|          |                |                |                   |                  |                    |   |    |    |    |    | 46 | 45 |    | 43 | 42 | 41 | 40 | 39 | 38 | 37 |    |    | 20 |    |    |    | 33 |    |
|          |                |                |                   |                  |                    | 73  |    |    |    | 32 | 31 | 30 |    |    |    | 26 |    | 24 | 23 | 22 |    |    |    |    |    |    |    |    |
| SALEABLE | NOT APPLICABLE | 34566-4833     | 0                 | C                | BLUE               | 72  |    |    | 70 |    | 68 | 67 | 66 |    | 63 | 62 |    |    | 59 |    | 57 |    |    |    | 53 |    |    |    |
|          |                |                |                   |                  |                    | 52  | 51 |    |    | 48 | 47 | 46 |    | 44 |    | 42 |    | 40 | 39 |    | 37 | 36 |    |    |    | 34 | 33 |    |
|          |                |                |                   |                  |                    | 73  |    |    |    | 32 |    | 30 |    |    | 27 | 26 | 25 | 24 |    | 22 | 21 |    |    |    |    |    |    |    |
| SALEABLE | NOT APPLICABLE | 34566-4843     | 0                 | C                | BLUE               | 72  |    |    | 70 |    | 68 | 67 | 66 |    | 63 | 62 |    |    | 59 |    | 57 |    |    |    | 53 |    |    |    |
|          |                |                |                   |                  |                    | 52  | 51 |    |    | 48 | 47 | 46 |    | 44 |    | 42 |    | 40 | 39 | 38 | 37 | 36 |    |    |    | 34 | 33 |    |
|          |                |                |                   |                  |                    | 73  |    |    |    | 32 |    | 30 |    |    | 27 | 26 | 25 | 24 |    | 22 | 21 |    |    |    |    |    |    |    |
| SALEABLE | NOT APPLICABLE | 34566-4853     | 0                 | C                | BLUE               | 72  |    |    | 70 |    | 68 |    | 66 |    | 63 | 62 |    |    | 59 |    | 57 | 56 | 55 |    | 53 |    |    |    |
|          |                |                |                   |                  |                    | 52  | 51 |    |    | 48 | 47 | 46 |    | 44 |    | 42 |    | 40 | 39 |    | 37 | 36 |    |    |    | 34 | 33 |    |
|          |                |                |                   |                  |                    | 73  |    |    |    | 32 |    | 30 |    |    | 27 | 26 | 25 | 24 |    | 22 | 21 |    |    |    |    | 19 | 18 |    |
| SALEABLE | NOT APPLICABLE | 34566-4863     | 0                 | C                | BLUE               | 72  |    |    | 70 |    | 68 |    | 66 |    | 63 | 62 |    |    | 59 |    | 57 |    |    |    | 53 |    |    |    |
|          |                |                |                   |                  |                    | 52  | 51 |    |    | 48 | 47 | 46 |    | 44 |    | 42 |    | 40 | 39 | 38 | 37 | 36 |    |    |    | 34 | 33 |    |
|          |                |                |                   |                  |                    | 73  |    |    |    | 32 |    | 30 |    |    | 27 | 26 | 25 | 24 |    | 22 | 21 |    |    |    |    |    |    |    |
| SALEABLE | NOT APPLICABLE | 34566-4873     | 0                 | C                | BLUE               | 72  |    |    | 70 |    | 68 |    | 66 |    | 63 | 62 |    |    | 59 |    | 57 |    |    |    | 53 |    |    |    |
|          |                |                |                   |                  |                    | 52  | 51 |    |    | 48 | 47 | 46 |    | 44 |    | 42 |    | 40 | 39 |    | 37 | 36 |    |    |    | 34 | 33 |    |
|          |                |                |                   |                  |                    | 73  |    |    |    | 32 |    | 30 |    |    | 27 | 26 | 25 | 24 |    | 22 | 21 |    |    |    |    |    |    |    |
| SALEABLE | NOT APPLICABLE | 34566-4883     | 9                 | A                | BLACK              | 72  |    |    |    | 69 |    | 67 |    | 65 |    | 63 |    |    | 60 |    | 57 | 56 |    |    | 53 |    |    |    |
|          |                |                |                   |                  |                    |   |    |    | 49 |    | 47 | 46 |    | 44 | 43 |    |    | 40 |    |    |    | 37 | 36 | 35 |    |    | 33 |    |
|          |                |                |                   |                  |                    | 73  |    |    |    | 32 |    | 30 | 29 | 28 |    |    |    | 24 |    |    |    | 21 | 20 |    |    |    |    | 17 |





MX123 52/66/73/80-WAY RECEPTACLE ASSY SEALED PIN OUT SHEET

| STATUS   | GM PART #      | HRNS CONN ASSY |                   |                  | TPA                | GROMMET CAP                                 |    |    |    |    |    |    |    |    |    |    |    |    |    |    |    |    |    |    |    |    |    |   |
|----------|----------------|----------------|-------------------|------------------|--------------------|---|----|----|----|----|----|----|----|----|----|----|----|----|----|----|----|----|----|----|----|----|----|---|
|          |                | MATERIAL/PART  | WIRE DRESS OPTION | KEY OPTION<br>Fp | COLOR OPTION<br>Fp | NUMBERS INDICATE CAVITIES OPEN FOR CIRCUITS |    |    |    |    |    |    |    |    |    |    |    |    |    |    |    |    |    |    |    |    |    |   |
|          |                | NUMBER         |                   |                  |                    | Fp  |    |    |    |    |    |    |    |    |    |    |    |    |    |    |    |    |    |    |    |    |    |   |
| SALEABLE | NOT APPLICABLE | 34566-5063     | 9                 | H                | ST GRAY            | 80  | 79 | 78 | 77 | 76 | 75 | 74 | 73 | 72 | 71 | 70 | 69 | 68 | 67 | 66 | 65 | 64 | 63 | 62 | 61 |    |    |   |
|          |                |                |                   |                  |                    | 60  | 59 | 58 | 57 | 56 | 55 | 54 | 53 | 52 | 51 | 50 | 49 | 48 | 47 | 46 | 45 | 44 | 43 | 42 | 41 | 40 |    |   |
|          |                |                |                   |                  |                    | 40  | 39 | 38 | 37 |    | 35 | 34 | 33 | 32 |    | 30 | 29 |    | 27 | 26 |    | 24 | 23 | 22 | 21 |    |    |   |
|          |                |                |                   |                  |                    | 20  | 19 | 18 | 17 |    |    | 14 | 13 | 12 | 11 | 10 | 9  | 8  |    | 6  | 5  |    |    | 3  | 2  |    |    |   |
| SALEABLE | NOT APPLICABLE | 34566-5073     | 9                 | A                | BLACK              | 72  | 71 | 70 | 69 | 68 | 67 | 66 | 65 | 64 | 63 | 62 | 61 | 60 | 59 | 58 | 57 | 56 | 55 | 54 | 53 |    |    |   |
|          |                |                |                   |                  |                    | 52  | 51 | 50 | 49 | 48 | 47 | 46 | 45 | 44 | 43 | 42 | 41 | 40 | 39 | 38 | 37 | 36 |    | 34 | 33 |    |    |   |
|          |                |                |                   |                  |                    | 73  |    |    |    | 32 | 31 | 30 | 29 | 28 | 27 | 26 |    | 24 | 23 | 22 | 21 | 20 | 19 | 18 |    |    |    |   |
|          |                |                |                   |                  |                    | 73  |    |    |    | 16 |    |    | 13 | 12 | 11 | 10 | 9  | 8  |    |    |    |    |    |    |    |    |    | 1 |
| SALEABLE | NOT APPLICABLE | 34566-5083     | 9                 | A                | BLACK              |   |    | 70 | 69 |    |    |    |    |    | 63 | 62 | 61 | 60 |    | 58 | 57 | 56 | 55 | 54 | 53 |    |    |   |
|          |                |                |                   |                  |                    | 52  | 51 |    | 49 |    |    |    | 44 | 43 | 42 | 41 |    |    | 38 | 37 |    |    |    |    | 34 |    |    |   |
|          |                |                |                   |                  |                    | 73  |    |    |    | 32 |    |    | 29 | 28 | 27 | 26 |    |    | 23 |    |    |    |    |    | 19 | 18 |    |   |
|          |                |                |                   |                  |                    | 73  |    |    |    | 16 | 15 |    | 13 | 12 | 11 | 10 |    | 8  |    |    |    |    |    |    | 3  |    |    |   |
| SALEABLE | NOT APPLICABLE | 34566-5093     | 0                 | B                | ST GRAY            | 72  | 71 | 70 | 69 | 68 | 67 | 66 | 65 | 64 | 63 | 62 | 61 | 60 | 59 | 58 | 57 | 56 | 55 | 54 | 53 |    |    |   |
|          |                |                |                   |                  |                    | 52  | 51 | 50 | 49 | 48 | 47 | 46 | 45 | 44 | 43 | 42 | 41 | 40 | 39 | 38 | 37 | 36 | 35 | 34 | 33 |    |    |   |
|          |                |                |                   |                  |                    | 73  |    |    |    |    |    |    | 29 |    | 27 |    |    |    | 23 | 22 | 21 |    |    |    |    |    | 18 |   |
|          |                |                |                   |                  |                    | 73  |    |    |    | 16 | 15 | 14 | 13 |    |    |    |    |    | 8  | 7  | 6  | 5  | 4  | 3  |    |    |    |   |
| SALEABLE | NOT APPLICABLE | 34566-5113     | 0                 | A                | BLACK              | 72  | 71 | 70 | 69 | 68 | 67 | 66 |    | 64 | 63 | 62 |    | 60 | 59 |    |    |    | 55 | 54 | 53 |    |    |   |
|          |                |                |                   |                  |                    | 52  |    |    | 49 | 48 |    |    |    | 44 | 43 | 42 | 41 | 40 | 39 |    |    |    |    | 35 | 34 | 33 |    |   |
|          |                |                |                   |                  |                    | 73  |    |    |    | 32 |    |    | 29 |    | 27 |    | 25 | 24 | 23 |    |    |    |    |    | 19 | 18 | 17 |   |
|          |                |                |                   |                  |                    | 73  |    |    |    | 16 |    |    | 13 | 12 | 11 | 10 | 9  | 8  | 7  | 6  | 5  | 4  | 3  | 2  | 1  |    |    |   |
| SALEABLE | NOT APPLICABLE | 34566-5123     | 9                 | C                | BLUE               | 72  |    | 70 |    | 68 | 67 | 66 |    |    | 63 | 62 |    | 59 |    | 57 |    |    |    | 53 |    |    |    |   |
|          |                |                |                   |                  |                    | 52  | 51 |    |    | 48 | 47 | 46 | 45 | 44 |    |    | 40 | 39 | 38 | 37 | 36 |    |    |    | 34 | 33 |    |   |
|          |                |                |                   |                  |                    | 73  |    |    |    | 32 |    | 30 |    |    | 27 | 26 | 25 | 24 |    | 22 | 21 | 20 |    |    |    |    |    |   |
|          |                |                |                   |                  |                    | 73  |    |    |    |    | 15 | 14 |    |    |    | 10 | 9  | 8  |    | 6  | 5  | 4  |    |    | 2  |    |    |   |
| SALEABLE | NOT APPLICABLE | 34566-5133     | 9                 | B                | ST GRAY            | 72  | 71 | 70 |    | 68 | 67 | 66 |    |    | 62 | 61 | 60 | 59 | 58 | 57 | 56 | 55 | 54 | 53 |    |    |    |   |
|          |                |                |                   |                  |                    | 52  | 51 | 50 |    | 48 | 47 | 46 |    |    | 42 | 41 | 40 | 39 | 38 | 37 | 36 | 35 | 34 | 33 |    |    |    |   |
|          |                |                |                   |                  |                    | 73  |    |    |    | 32 | 31 | 30 | 29 | 28 | 27 | 26 | 25 | 24 | 23 |    |    |    |    |    |    |    |    |   |
|          |                |                |                   |                  |                    | 73  |    |    |    | 16 | 15 | 14 | 13 |    |    | 10 | 9  | 8  |    |    |    |    |    |    |    |    |    |   |
| SALEABLE | NOT APPLICABLE | 34566-5143     | 0                 | C                | BLUE               | 72  |    | 70 |    | 68 | 67 | 66 |    |    | 63 | 62 |    | 59 |    | 57 |    |    |    | 53 |    |    |    |   |
|          |                |                |                   |                  |                    | 52  | 51 |    |    | 48 | 47 | 46 |    | 44 |    | 42 |    | 40 | 39 |    | 37 | 36 |    |    | 34 | 33 |    |   |
|          |                |                |                   |                  |                    | 73  |    |    |    | 32 |    | 30 |    |    |    | 26 | 25 | 24 |    | 22 | 21 | 20 |    |    |    |    |    |   |
|          |                |                |                   |                  |                    | 73  |    |    |    |    | 15 | 14 |    |    |    | 10 | 9  | 8  |    | 6  | 5  | 4  |    |    | 2  |    |    |   |
| SALEABLE | NOT APPLICABLE | 34566-5153     | 0                 | A                | BLACK              |   |    | 70 | 69 |    |    |    |    |    | 63 | 62 | 61 | 60 |    | 58 | 57 | 56 | 55 | 54 | 53 |    |    |   |
|          |                |                |                   |                  |                    | 52  | 51 |    | 49 |    | 47 |    |    | 44 | 43 | 42 | 41 |    |    | 37 | 36 | 35 | 34 | 33 |    |    |    |   |
|          |                |                |                   |                  |                    | 73  |    |    |    | 32 |    |    | 29 | 28 | 27 | 26 | 25 |    |    |    |    |    |    | 19 | 18 |    |    |   |
|          |                |                |                   |                  |                    | 73  |    |    |    | 16 | 15 |    | 13 | 12 | 11 | 10 |    |    |    |    |    |    |    |    | 3  |    |    |   |
| SALEABLE | NOT APPLICABLE | 34566-5163     | 9                 | A                | BLACK              | 72  |    |    | 69 |    | 67 |    | 65 |    | 63 |    |    | 60 |    |    | 57 | 56 |    |    | 53 |    |    |   |
|          |                |                |                   |                  |                    |   |    |    | 49 |    | 47 |    |    | 44 | 43 |    |    | 40 |    |    | 37 | 36 | 35 |    |    | 33 |    |   |
|          |                |                |                   |                  |                    | 73  |    |    |    |    | 31 | 30 | 29 | 28 |    |    |    | 24 |    |    | 21 | 20 |    |    |    |    | 17 |   |
|          |                |                |                   |                  |                    | 73  |    |    |    | 16 | 15 | 14 |    |    | 11 | 10 |    |    |    | 5  | 4  | 3  | 2  | 1  |    |    |    |   |
| SALEABLE | NOT APPLICABLE | 34566-5173     | 9                 | B                | ST GRAY            |   |    |    |    | 68 | 67 |    |    | 64 | 63 |    |    | 59 |    | 57 |    |    |    |    |    |    |    |   |
|          |                |                |                   |                  |                    |   |    |    |    |    |    | 46 | 45 |    | 43 |    |    | 39 |    | 37 |    |    |    |    |    |    |    |   |
|          |                |                |                   |                  |                    | 73  |    |    |    | 32 |    | 30 | 29 | 28 | 27 |    |    |    |    | 21 |    |    |    |    |    |    |    |   |
|          |                |                |                   |                  |                    | 73  |    |    |    |    |    |    |    |    |    | 10 |    |    |    | 6  | 5  | 4  | 3  |    |    |    |    |   |
| SALEABLE | NOT APPLICABLE | 34566-5183     | 0                 | B                | ST GRAY            |   |    |    |    | 68 | 67 |    |    | 64 |    |    |    | 59 | 58 |    |    |    |    | 54 |    |    |    |   |
|          |                |                |                   |                  |                    |   |    |    |    |    |    | 46 | 45 | 44 |    |    |    | 39 | 38 |    |    |    |    |    |    |    |    |   |
|          |                |                |                   |                  |                    | 73  |    |    |    | 32 |    | 30 | 29 | 28 | 27 |    |    |    | 23 | 22 |    |    |    |    |    |    | 17 |   |
|          |                |                |                   |                  |                    | 73  |    |    |    |    |    |    |    | 12 |    | 10 |    | 8  |    |    |    |    |    |    |    |    |    | 1 |
| SALEABLE | NOT APPLICABLE | 34566-5193     | 0                 | A                | BLACK              |   |    | 70 | 69 |    |    |    |    |    | 63 | 62 | 61 | 60 |    | 58 | 57 | 56 | 55 | 54 | 53 |    |    |   |
|          |                |                |                   |                  |                    | 52  | 51 |    | 49 |    |    |    | 44 | 43 | 42 | 41 |    |    |    | 37 | 36 |    |    | 34 |    |    |    |   |
|          |                |                |                   |                  |                    | 73  |    |    |    | 32 |    |    | 29 | 28 | 27 | 26 |    |    |    |    |    |    |    | 19 | 18 | 17 |    |   |
|          |                |                |                   |                  |                    | 73  |    |    |    | 16 | 15 |    | 13 | 12 | 11 | 10 |    |    |    |    |    |    |    | 3  | 2  | 1  |    |   |
| SALEABLE | NOT APPLICABLE | 34566-5213     | 0                 | A                | BLACK              | 72  | 71 | 70 | 69 | 68 | 67 | 66 | 65 | 64 | 63 | 62 | 61 | 60 | 59 |    |    |    | 55 | 54 | 53 |    |    |   |
|          |                |                |                   |                  |                    | 52  |    |    | 49 | 48 |    |    |    | 44 | 43 | 42 | 41 | 40 | 39 |    |    |    |    | 35 | 34 | 33 |    |   |
|          |                |                |                   |                  |                    | 73  |    |    |    | 32 |    |    | 29 |    | 27 |    | 25 | 24 | 23 |    |    |    |    | 19 | 18 | 17 |    |   |
|          |                |                |                   |                  |                    | 73  |    |    |    | 16 |    |    | 13 | 12 | 11 |    | 9  | 8  | 7  | 6  | 5  | 4  | 3  | 2  | 1  |    |    |   |
| SALEABLE | NOT APPLICABLE | 34566-5223     | 0                 | C                | BLUE               | 72  |    | 70 |    |    | 67 | 66 |    |    | 63 | 62 |    |    | 59 |    | 57 |    |    |    | 53 |    |    |   |
|          |                |                |                   |                  |                    | 52  | 51 |    |    | 48 |    | 46 |    | 44 |    | 42 |    | 40 | 39 |    |    |    |    |    | 34 | 33 |    |   |
|          |                |                |                   |                  |                    | 73  |    |    |    | 32 |    | 30 |    |    | 27 | 26 | 25 |    |    | 22 | 21 |    |    |    |    |    |    |   |
|          |                |                |                   |                  |                    | 73  |    |    |    |    | 15 | 14 |    |    |    | 10 | 9  |    |    | 6  | 5  | 4  |    |    |    |    |    |   |

MX123 52/66/73/80-WAY RECEPTACLE ASSY SEALED PIN OUT SHEET

| STATUS   | GM PART #      | HRNS CONN ASSY |                   |                  | TPA                | GROMMET CAP                                 |    |    |    |    |    |    |    |    |    |    |    |    |    |    |    |    |    |    |    |    |    |    |
|----------|----------------|----------------|-------------------|------------------|--------------------|---|----|----|----|----|----|----|----|----|----|----|----|----|----|----|----|----|----|----|----|----|----|----|
|          |                | MATERIAL/PART  | WIRE DRESS OPTION | KEY OPTION<br>Fp | COLOR OPTION<br>Fp | NUMBERS INDICATE CAVITIES OPEN FOR CIRCUITS |    |    |    |    |    |    |    |    |    |    |    |    |    |    |    |    |    |    |    |    |    |    |
|          |                | NUMBER         |                   |                  |                    | Fp  |    |    |    |    |    |    |    |    |    |    |    |    |    |    |    |    |    |    |    |    |    |    |
| SALEABLE | NOT APPLICABLE | 34566-5233     | 0                 | C                | BLUE               | 72  |    | 70 |    | 68 | 67 | 66 |    |    | 63 | 62 |    |    | 59 |    | 57 | 56 | 55 |    | 53 |    |    |    |
|          |                |                |                   |                  |                    | 52  | 51 |    |    | 48 | 47 | 46 |    | 44 |    | 42 |    | 40 | 39 | 38 |    | 22 | 21 |    | 19 | 18 | 34 | 33 |
|          |                |                |                   |                  |                    | 73  |    |    |    |    |    | 32 |    | 30 |    |    |    | 26 | 25 |    |    | 6  | 5  | 4  | 3  |    |    |    |
| SALEABLE | NOT APPLICABLE | 34566-5243     | 0                 | C                | BLUE               | 72  | 71 | 70 | 69 | 68 | 67 | 66 | 65 |    | 63 | 62 | 61 |    | 59 | 58 | 57 | 56 | 55 | 54 | 53 |    |    |    |
|          |                |                |                   |                  |                    |   | 51 | 50 | 49 | 48 |    | 46 | 45 | 44 | 43 | 42 | 41 | 40 | 39 | 38 |    | 36 | 35 | 34 | 33 |    |    |    |
|          |                |                |                   |                  |                    | 73  |    |    |    |    |    | 31 | 30 | 29 | 28 | 27 | 26 | 25 |    |    | 22 | 21 | 20 | 19 | 18 | 17 |    |    |
| SALEABLE | NOT APPLICABLE | 34566-5253     | 0                 | B                | ST GRAY            |   |    |    |    |    | 67 | 66 |    |    | 63 |    |    | 59 | 58 | 57 | 56 | 55 |    | 53 |    |    |    |    |
|          |                |                |                   |                  |                    |   |    | 50 | 49 | 48 |    | 46 | 45 |    | 43 |    |    | 39 | 38 | 37 | 36 | 35 | 34 | 33 |    |    |    |    |
|          |                |                |                   |                  |                    | 73  |    |    |    |    |    |    |    | 29 | 27 |    |    |    | 23 | 22 | 21 |    |    | 18 |    |    |    |    |
| SALEABLE | NOT APPLICABLE | 34566-5263     | 0                 | B                | ST GRAY            |   |    |    |    |    | 67 | 66 |    |    | 63 |    |    | 59 | 58 | 57 | 56 | 55 |    | 53 |    |    |    |    |
|          |                |                |                   |                  |                    |   |    | 50 | 49 | 48 |    | 46 | 45 |    | 43 |    |    | 39 | 38 | 37 | 36 | 35 | 34 | 33 |    |    |    |    |
|          |                |                |                   |                  |                    | 73  |    |    |    |    |    | 16 | 15 | 14 | 13 |    |    |    | 8  | 7  | 6  | 5  | 4  | 3  |    |    |    |    |
| SALEABLE | NOT APPLICABLE | 34566-5273     | 0                 | A                | BLACK              |   |    | 70 | 69 |    |    |    |    |    | 63 | 62 | 61 | 60 |    | 58 | 57 | 56 | 55 | 54 | 53 |    |    |    |
|          |                |                |                   |                  |                    | 52  | 51 |    | 49 |    |    |    | 44 | 43 | 42 | 41 |    |    |    | 37 | 36 |    | 34 |    |    |    |    |    |
|          |                |                |                   |                  |                    | 73  |    |    |    |    |    | 32 |    |    | 29 | 28 | 27 | 26 |    |    | 23 |    |    |    | 19 | 18 |    |    |
| SALEABLE | NOT APPLICABLE | 34566-5283     | 0                 | C                | BLUE               |   |    | 70 |    | 68 | 67 | 66 |    |    | 63 | 62 |    |    | 59 |    | 57 | 56 | 55 | 54 | 53 |    |    |    |
|          |                |                |                   |                  |                    | 52  | 51 |    |    | 48 | 47 | 46 |    | 44 |    | 42 |    | 40 | 39 |    |    |    |    |    | 34 | 33 |    |    |
|          |                |                |                   |                  |                    | 73  |    |    |    |    |    | 32 |    | 30 |    |    |    | 26 | 25 |    |    | 22 | 21 |    | 19 | 18 |    |    |
| SALEABLE | NOT APPLICABLE | 34566-5293     | 0                 | A                | BLACK              |   |    | 70 | 69 |    |    |    |    |    | 63 | 62 | 61 | 60 |    | 58 | 57 | 56 | 55 | 54 | 53 |    |    |    |
|          |                |                |                   |                  |                    | 52  | 51 |    | 49 |    |    |    | 44 | 43 | 42 | 41 | 40 |    |    | 37 | 36 |    | 34 |    |    |    |    |    |
|          |                |                |                   |                  |                    | 73  |    |    |    |    |    | 32 |    |    | 29 | 28 | 27 | 26 |    |    | 19 | 18 | 17 |    |    |    |    |    |
| SALEABLE | NOT APPLICABLE | 34566-5313     | 0                 | C                | BLUE               |   |    | 70 |    | 68 | 67 | 66 |    |    | 63 | 62 |    |    | 59 |    | 57 | 56 | 55 | 54 | 53 |    |    |    |
|          |                |                |                   |                  |                    | 52  | 51 |    |    | 48 | 47 | 46 |    | 44 |    | 42 |    | 40 | 39 | 38 | 37 | 36 |    | 34 | 33 |    |    |    |
|          |                |                |                   |                  |                    | 73  |    |    |    |    |    | 32 |    | 30 |    |    | 27 | 26 | 25 | 24 |    | 22 | 21 |    | 19 | 18 |    |    |
| SALEABLE | NOT APPLICABLE | 34566-5323     | 0                 | G                | BLUE               | 80  |    | 78 | 77 |    | 75 | 74 | 73 | 72 |    | 70 | 69 |    | 67 |    | 65 | 64 | 63 | 62 |    |    |    |    |
|          |                |                |                   |                  |                    | 60  |    | 58 | 57 |    | 55 | 54 |    | 52 | 51 | 50 | 49 |    | 47 |    | 45 |    |    |    |    |    |    |    |
|          |                |                |                   |                  |                    | 40  |    | 38 | 37 |    |    |    | 33 | 32 | 31 |    |    |    | 27 | 26 | 25 | 24 |    |    |    |    |    |    |
| SALEABLE | NOT APPLICABLE | 34566-5333     | 0                 | A                | BLACK              |   |    | 70 | 69 |    |    |    |    |    | 63 | 62 | 61 | 60 |    | 58 | 57 | 56 | 55 | 54 | 53 |    |    |    |
|          |                |                |                   |                  |                    | 52  | 51 |    | 49 |    |    |    | 44 | 43 | 42 | 41 | 40 |    |    | 37 | 36 |    | 34 |    |    |    |    |    |
|          |                |                |                   |                  |                    | 73  |    |    |    |    |    | 32 |    |    | 29 | 28 | 27 | 26 |    |    | 19 | 18 | 17 |    |    |    |    |    |
| SALEABLE | NOT APPLICABLE | 34566-5343     | 0                 | B                | ST GRAY            |   |    |    |    | 68 | 67 |    |    | 64 |    |    | 59 | 58 |    |    |    |    | 54 |    |    |    |    |    |
|          |                |                |                   |                  |                    |   |    |    |    |    | 46 | 45 |    |    |    |    | 39 | 38 |    |    |    |    |    |    |    |    |    |    |
|          |                |                |                   |                  |                    | 73  |    |    |    |    |    | 32 |    | 30 | 29 | 28 | 27 |    |    | 23 | 22 |    |    |    |    |    | 17 |    |
| SALEABLE | NOT APPLICABLE | 34566-5353     | 9                 | B                | ST GRAY            |   |    |    |    | 68 | 67 |    |    | 64 | 63 |    |    | 59 | 58 |    |    | 55 | 54 |    |    |    |    |    |
|          |                |                |                   |                  |                    |   |    |    |    |    | 46 | 45 | 44 | 43 |    |    | 39 | 38 |    |    | 35 | 34 |    |    |    |    |    |    |
|          |                |                |                   |                  |                    | 73  |    |    |    |    |    | 32 |    | 30 | 29 | 28 | 27 |    |    | 23 | 22 |    |    | 19 | 18 | 17 |    |    |
| SALEABLE | NOT APPLICABLE | 34566-5363     | 0                 | C                | BLUE               |   |    | 70 |    | 68 |    | 66 |    |    | 63 | 62 |    |    | 59 |    | 57 |    |    | 53 |    |    |    |    |
|          |                |                |                   |                  |                    | 52  | 51 |    |    | 48 | 47 | 46 |    | 44 |    | 42 |    | 40 | 39 | 38 |    |    |    |    | 34 | 33 |    |    |
|          |                |                |                   |                  |                    | 73  |    |    |    |    |    | 32 |    | 30 |    |    |    | 26 | 25 |    |    | 22 | 21 |    |    |    |    |    |
| SALEABLE | NOT APPLICABLE | 34566-5373     | 0                 | C                | BLUE               |   |    | 70 |    | 68 |    | 66 |    |    | 63 | 62 |    |    | 59 |    | 57 |    |    | 53 |    |    |    |    |
|          |                |                |                   |                  |                    | 52  | 51 |    |    | 48 | 47 | 46 |    | 44 |    | 42 |    | 40 | 39 |    |    |    |    |    | 34 | 33 |    |    |
|          |                |                |                   |                  |                    | 73  |    |    |    |    |    | 32 |    | 30 |    |    |    | 26 | 25 |    |    | 22 | 21 |    |    |    |    |    |
| SALEABLE | NOT APPLICABLE | 34566-5383     | 0                 | C                | BLUE               |   |    | 70 |    | 68 |    | 66 |    |    | 63 | 62 |    |    | 59 |    | 57 |    |    | 53 |    |    |    |    |
|          |                |                |                   |                  |                    | 52  | 51 |    |    | 48 | 47 | 46 |    | 44 |    | 42 |    | 40 | 39 |    |    | 37 | 36 |    | 34 | 33 |    |    |
|          |                |                |                   |                  |                    | 73  |    |    |    |    |    | 32 |    | 30 |    |    |    | 26 | 25 | 24 |    | 22 | 21 |    |    |    |    |    |

MX123 52/66/73/80-WAY RECEPTACLE ASSY SEALED PIN OUT SHEET

| STATUS   | GM PART #      | HRNS CONN ASSY |                   |                  | TPA                | GROMMET CAP                                 |    |    |    |    |    |    |    |    |    |    |    |    |    |    |    |    |    |    |    |    |    |    |
|----------|----------------|----------------|-------------------|------------------|--------------------|---|----|----|----|----|----|----|----|----|----|----|----|----|----|----|----|----|----|----|----|----|----|----|
|          |                | MATERIAL/PART  | WIRE DRESS OPTION | KEY OPTION<br>Fp | COLOR OPTION<br>Fp | NUMBERS INDICATE CAVITIES OPEN FOR CIRCUITS |    |    |    |    |    |    |    |    |    |    |    |    |    |    |    |    |    |    |    |    |    |    |
|          |                | NUMBER         |                   |                  |                    | Fp  |    |    |    |    |    |    |    |    |    |    |    |    |    |    |    |    |    |    |    |    |    |    |
| SALEABLE | NOT APPLICABLE | 34566-5393     | 0                 | A                | BLACK              | 70  | 69 |    |    |    |    |    |    |    |    |    |    |    |    |    | 56 | 55 | 54 | 53 |    |    |    |    |
|          |                |                |                   |                  |                    | 52  | 51 |    | 49 |    |    |    |    | 44 | 63 | 43 | 42 | 41 |    |    |    |    |    | 36 |    |    |    |    |
|          |                |                |                   |                  |                    | 73  |    |    |    | 32 |    |    |    | 28 |    | 26 |    |    | 23 |    |    | 21 |    |    | 19 | 18 |    |    |
| SALEABLE | NOT APPLICABLE | 34566-5413     | 0                 | A                | BLACK              | 70  | 69 |    |    |    |    |    |    |    |    |    |    |    |    |    | 56 | 55 | 54 | 53 |    |    |    |    |
|          |                |                |                   |                  |                    | 52  | 51 |    | 49 |    |    |    |    | 44 | 63 | 43 | 42 | 41 |    |    |    |    | 36 |    |    |    |    |    |
|          |                |                |                   |                  |                    | 73  |    |    |    | 32 |    |    |    | 28 |    | 26 |    |    | 23 |    |    | 21 |    |    | 19 | 18 |    |    |
| SALEABLE | NOT APPLICABLE | 34566-5423     | 0                 | A                | BLACK              | 70  | 69 |    |    |    |    |    |    |    |    |    |    |    |    |    | 56 | 55 | 54 | 53 |    |    |    |    |
|          |                |                |                   |                  |                    | 52  | 51 |    | 49 |    |    |    |    | 44 | 63 | 43 | 42 | 41 |    |    |    |    | 36 |    |    |    |    |    |
|          |                |                |                   |                  |                    | 73  |    |    |    | 32 |    |    |    | 28 |    | 26 |    |    | 23 |    |    | 21 |    |    | 19 | 18 |    |    |
| SALEABLE | NOT APPLICABLE | 34566-5433     | 9                 | B                | ST GRY             |   |    |    |    | 68 | 67 |    |    | 64 |    |    |    |    | 59 | 58 |    |    |    | 54 |    |    |    |    |
|          |                |                |                   |                  |                    |   |    |    |    |    |    | 46 | 45 |    |    |    |    |    | 39 | 38 |    |    |    |    |    |    |    |    |
|          |                |                |                   |                  |                    | 73  |    |    |    | 32 |    | 30 | 29 | 28 | 27 |    |    | 23 | 22 |    |    |    |    |    |    |    | 17 |    |
| SALEABLE | NOT APPLICABLE | 34566-5443     | 9                 | B                | ST GRY             |   |    |    |    | 68 | 67 |    |    | 64 |    |    |    |    | 59 | 58 |    |    |    | 54 |    |    |    |    |
|          |                |                |                   |                  |                    |   |    |    |    |    |    | 46 | 45 |    |    |    |    | 39 | 38 |    |    |    |    |    |    |    |    |    |
|          |                |                |                   |                  |                    | 73  |    |    |    | 32 |    | 30 | 29 | 28 | 27 |    |    | 23 | 22 |    |    |    |    |    |    |    | 17 |    |
| SALEABLE | NOT APPLICABLE | 34566-5453     | 0                 | B                | ST GRY             |   |    |    |    | 68 | 67 |    |    | 64 |    |    |    |    | 59 | 58 |    |    |    | 54 |    |    |    |    |
|          |                |                |                   |                  |                    |   |    |    |    |    |    | 46 | 45 |    |    |    |    | 39 | 38 |    |    |    |    |    |    |    |    |    |
|          |                |                |                   |                  |                    | 73  |    |    |    | 32 |    | 30 | 29 | 28 | 27 |    |    | 23 | 22 |    |    |    |    |    |    |    | 17 |    |
| SALEABLE | NOT APPLICABLE | 34566-5463     | 0                 | A                | BLACK              | 72  |    | 70 |    |    |    |    |    |    | 63 |    |    |    |    |    |    |    |    |    |    |    |    |    |
|          |                |                |                   |                  |                    | 52  |    |    | 49 |    |    |    |    |    |    | 41 |    |    |    |    |    |    |    |    |    |    |    |    |
|          |                |                |                   |                  |                    | 73  |    |    |    | 16 | 15 | 14 |    | 12 |    | 10 |    |    | 6  |    |    |    |    | 20 | 19 |    |    |    |
| SALEABLE | NOT APPLICABLE | 34566-5473     | 0                 | A                | BLACK              | 72  | 71 | 70 |    | 68 | 67 | 66 | 65 | 64 | 63 | 62 |    | 60 | 59 |    |    | 56 |    |    | 53 |    |    |    |
|          |                |                |                   |                  |                    | 52  | 51 |    |    | 48 | 47 | 46 | 45 | 44 | 43 | 42 | 41 | 40 |    |    |    |    |    |    |    |    |    |    |
|          |                |                |                   |                  |                    | 73  |    |    |    | 16 | 15 | 14 |    | 12 | 11 | 10 |    |    | 6  |    |    |    |    | 20 | 19 |    | 17 |    |
| SALEABLE | NOT APPLICABLE | 34566-5483     | 0                 | B                | ST GRY             | 72  |    | 70 |    | 68 |    | 66 |    | 64 | 63 |    |    | 60 | 59 |    |    |    |    | 55 | 54 | 53 |    |    |
|          |                |                |                   |                  |                    | 52  |    | 50 |    | 48 |    | 46 |    |    |    |    |    | 40 | 39 |    |    |    |    |    |    | 35 | 34 | 33 |
|          |                |                |                   |                  |                    | 73  |    |    |    | 32 | 31 | 30 | 29 | 28 | 27 | 26 | 25 | 24 |    |    |    |    |    | 20 |    |    |    | 17 |
| SALEABLE | NOT APPLICABLE | 34566-5493     | 0                 | A                | BLACK              | 72  |    | 70 | 69 |    |    |    |    |    | 63 |    |    |    | 60 | 59 | 58 | 57 | 56 | 55 | 54 | 53 |    |    |
|          |                |                |                   |                  |                    | 52  | 51 |    | 49 |    |    |    |    | 44 | 43 | 42 | 41 | 40 |    |    |    |    | 37 | 36 |    |    | 34 |    |
|          |                |                |                   |                  |                    | 73  |    |    |    | 32 |    |    |    | 28 |    | 26 |    |    |    |    |    |    |    |    | 19 | 18 | 17 |    |
| SALEABLE | NOT APPLICABLE | 34566-5513     | 9                 | B                | ST GRY             |   |    |    |    | 68 | 67 |    |    | 64 |    |    |    |    | 58 |    |    |    |    | 55 |    |    |    |    |
|          |                |                |                   |                  |                    |   |    |    |    |    |    | 46 | 45 |    |    | 43 |    |    |    | 38 |    |    |    |    |    | 35 |    |    |
|          |                |                |                   |                  |                    | 73  |    |    |    | 32 |    | 30 | 29 | 28 | 27 |    |    | 22 |    |    |    |    |    | 19 |    |    |    | 17 |
| SALEABLE | NOT APPLICABLE | 34566-5523     | 9                 | A                | BLACK              | 72  |    |    | 69 |    |    | 67 | 66 | 65 |    | 63 |    |    | 60 |    |    | 57 | 56 |    |    | 53 |    |    |
|          |                |                |                   |                  |                    |   |    |    | 49 |    |    |    |    | 44 | 43 | 42 |    |    | 40 |    |    |    | 37 | 36 | 35 |    | 33 |    |
|          |                |                |                   |                  |                    | 73  |    |    |    | 16 | 15 | 14 | 13 |    | 11 | 10 |    |    |    |    |    |    | 5  | 4  | 3  | 2  | 1  |    |
| SALEABLE | NOT APPLICABLE | 34566-5533     | 9                 | B                | ST GRY             |   |    |    |    | 68 | 67 |    |    | 64 |    |    |    |    | 59 | 58 |    |    |    |    | 54 |    |    |    |
|          |                |                |                   |                  |                    |   |    |    |    |    |    | 46 | 45 |    |    |    |    | 39 | 38 |    |    |    |    |    |    |    |    |    |
|          |                |                |                   |                  |                    | 73  |    |    |    | 32 |    | 30 | 29 | 28 | 27 |    |    | 23 | 22 |    |    |    |    |    |    |    |    | 17 |
| SALEABLE | NOT APPLICABLE | 34566-5543     | 9                 | A                | BLACK              |   |    |    |    | 68 | 67 |    |    | 64 |    |    |    |    | 59 | 58 |    |    |    |    | 54 |    |    |    |
|          |                |                |                   |                  |                    |   |    |    |    |    |    | 46 | 45 |    |    |    |    | 39 | 38 |    |    |    |    |    |    |    |    |    |
|          |                |                |                   |                  |                    | 73  |    |    |    | 32 |    | 30 | 29 | 28 | 27 |    |    | 23 | 22 |    |    |    |    |    |    |    |    | 17 |
| SALEABLE | NOT APPLICABLE | 34566-5553     | 9                 | B                | ST GRY             |   |    |    |    | 68 | 67 |    |    | 64 |    |    |    |    | 59 | 58 |    |    |    |    | 54 |    |    |    |
|          |                |                |                   |                  |                    |   |    |    |    |    |    | 46 | 45 |    |    |    |    | 39 | 38 |    |    |    |    |    |    |    |    |    |
|          |                |                |                   |                  |                    | 73  |    |    |    | 32 |    | 30 | 29 | 28 | 27 |    |    | 23 | 22 |    |    |    |    |    |    |    |    | 17 |

MX123 52/66/73/80-WAY RECEPTACLE ASSY SEALED PIN OUT SHEET

| STATUS   | GM PART #      | HRNS CONN ASSY |                   |                  | TPA                | GROMMET CAP                                 |    |    |    |    |    |    |    |    |    |    |    |    |    |    |    |    |    |    |    |    |    |    |
|----------|----------------|----------------|-------------------|------------------|--------------------|---|----|----|----|----|----|----|----|----|----|----|----|----|----|----|----|----|----|----|----|----|----|----|
|          |                | MATERIAL/PART  | WIRE DRESS OPTION | KEY OPTION<br>Fp | COLOR OPTION<br>Fp | NUMBERS INDICATE CAVITIES OPEN FOR CIRCUITS |    |    |    |    |    |    |    |    |    |    |    |    |    |    |    |    |    |    |    |    |    |    |
|          |                | NUMBER         |                   |                  |                    | Fp  |    |    |    |    |    |    |    |    |    |    |    |    |    |    |    |    |    |    |    |    |    |    |
| SALEABLE | NOT APPLICABLE | 34566-5563     | 0                 | A                | BLACK              | 72  | 71 | 70 | 69 |    |    |    |    | 64 | 63 |    |    | 60 | 59 | 58 | 57 | 56 | 55 | 54 | 53 |    |    |    |
|          |                |                |                   |                  |                    | 52  | 51 |    | 49 | 48 | 47 |    | 45 | 44 | 43 | 42 | 41 |    |    |    |    |    |    | 36 |    |    |    |    |
|          |                |                |                   |                  |                    | 73  |    |    |    | 32 |    | 30 |    | 28 |    | 26 |    |    |    |    |    |    |    |    |    | 19 | 18 | 17 |
| SALEABLE | NOT APPLICABLE | 34566-5573     | 0                 | C                | BLUE               | 72  |    | 70 |    | 68 |    | 66 |    |    | 63 | 62 |    |    | 59 | 58 | 57 | 56 | 55 |    | 53 |    |    |    |
|          |                |                |                   |                  |                    | 52  | 51 |    | 49 | 48 | 47 | 46 |    | 44 |    | 42 |    | 40 | 39 | 38 | 37 | 36 |    |    | 34 | 33 |    |    |
|          |                |                |                   |                  |                    | 73  |    |    |    | 32 |    | 30 |    |    |    | 26 | 25 | 24 | 23 | 22 | 21 | 20 | 19 | 18 | 17 |    |    |    |
| SALEABLE | NOT APPLICABLE | 34566-5583     | 0                 | B                | ST GRAY            | 72  |    | 70 |    | 68 |    | 66 |    | 64 | 63 |    |    | 60 | 59 |    |    |    |    | 55 | 54 | 53 |    |    |
|          |                |                |                   |                  |                    | 52  |    | 50 |    | 48 |    | 46 |    |    |    |    |    | 40 | 39 |    |    |    |    |    | 35 | 34 | 33 |    |
|          |                |                |                   |                  |                    | 73  |    |    |    | 32 | 31 | 30 | 29 | 28 | 27 | 26 | 25 | 24 | 23 |    |    | 20 |    |    |    |    |    | 17 |
| SALEABLE | NOT APPLICABLE | 34566-5593     | 0                 | C                | BLUE               | 72  |    | 70 |    | 68 |    | 66 |    |    | 63 | 62 |    |    | 59 | 58 | 57 |    |    | 55 |    | 53 |    |    |
|          |                |                |                   |                  |                    | 52  | 51 |    |    | 48 | 47 | 46 |    | 44 |    | 42 |    | 40 | 39 |    |    |    |    |    |    | 34 | 33 |    |
|          |                |                |                   |                  |                    | 73  |    |    |    | 32 |    | 30 |    |    |    | 26 | 25 |    | 23 | 22 | 21 |    |    |    |    |    |    |    |
| SALEABLE | NOT APPLICABLE | 34566-5613     | 0                 | C                | BLUE               | 72  |    | 70 |    | 68 |    | 66 |    |    | 63 | 62 |    |    | 59 | 58 | 57 |    |    |    |    | 53 |    |    |
|          |                |                |                   |                  |                    | 52  | 51 |    |    | 48 | 47 |    |    | 44 |    | 42 |    | 40 | 39 |    | 37 | 36 |    |    |    | 34 | 33 |    |
|          |                |                |                   |                  |                    | 73  |    |    |    | 32 |    | 30 |    |    | 27 | 26 | 25 | 24 | 23 | 22 | 21 | 20 |    |    |    |    |    | 17 |
| SALEABLE | NOT APPLICABLE | 34566-5623     | 0                 | C                | BLUE               | 72  |    | 70 |    | 68 |    | 66 |    |    | 63 | 62 |    |    | 59 | 58 | 57 |    |    |    |    | 53 |    |    |
|          |                |                |                   |                  |                    | 52  | 51 |    |    | 48 | 47 |    |    | 44 |    | 42 |    | 40 | 39 |    | 37 | 36 |    |    |    | 34 | 33 |    |
|          |                |                |                   |                  |                    | 73  |    |    |    | 32 |    | 30 |    |    | 27 | 26 | 25 | 24 | 23 | 22 | 21 | 20 |    |    |    |    |    |    |
| SALEABLE | NOT APPLICABLE | 34566-5633     | 0                 | B                | ST GRAY            | 72  |    |    |    |    |    |    |    |    |    | 62 | 61 |    |    |    |    |    |    |    |    |    |    |    |
|          |                |                |                   |                  |                    | 52  |    |    |    | 48 |    | 46 |    | 44 | 43 |    | 41 | 40 |    |    |    |    |    |    |    | 20 | 19 | 18 |
|          |                |                |                   |                  |                    | 73  |    |    |    | 16 | 15 | 14 |    |    |    |    |    |    |    |    |    |    |    |    |    | 4  |    |    |
| SALEABLE | NOT APPLICABLE | 34566-5643     | 0                 | B                | ST GRAY            | 72  |    |    |    |    |    |    |    |    |    | 62 | 61 |    |    |    |    |    |    |    |    |    |    |    |
|          |                |                |                   |                  |                    | 52  |    |    |    | 48 |    | 46 |    |    | 43 |    | 41 | 40 |    |    |    |    |    |    |    |    |    |    |
|          |                |                |                   |                  |                    | 73  |    |    |    | 16 | 15 | 14 |    |    |    |    |    |    |    |    |    |    |    |    |    |    | 20 | 19 |
| SALEABLE | NOT APPLICABLE | 34566-5653     | 0                 | A                | BLACK              | 72  | 71 | 70 | 69 | 68 |    | 66 | 65 | 64 | 63 |    | 61 | 60 |    |    | 57 | 56 |    |    | 54 | 53 |    |    |
|          |                |                |                   |                  |                    | 52  | 51 | 50 | 49 | 48 |    | 46 | 45 | 44 | 43 |    |    | 40 | 39 | 38 | 37 | 36 |    |    |    | 34 | 33 |    |
|          |                |                |                   |                  |                    | 73  |    |    |    | 32 | 31 | 30 | 29 | 28 |    |    | 26 | 25 |    | 23 | 22 | 21 |    |    |    |    |    |    |
| SALEABLE | NOT APPLICABLE | 34566-5663     | 0                 | C                | BLUE               |   |    |    | 69 |    | 67 | 66 | 64 |    | 62 |    | 60 |    |    | 57 |    |    | 55 | 54 |    |    |    |    |
|          |                |                |                   |                  |                    | 52  | 51 | 50 |    | 48 |    | 46 | 45 | 44 |    | 42 |    |    |    |    |    | 37 |    |    | 35 | 34 | 33 |    |
|          |                |                |                   |                  |                    | 73  |    |    |    | 32 | 31 |    |    | 28 | 27 | 26 |    |    |    |    |    |    |    |    |    | 19 | 18 |    |
| SALEABLE | NOT APPLICABLE | 34566-5673     | 0                 | C                | BLUE               |   |    |    | 69 |    | 67 | 66 | 64 |    | 62 |    | 60 |    |    | 57 |    |    | 55 | 54 |    |    |    |    |
|          |                |                |                   |                  |                    | 52  | 51 | 50 | 49 | 48 |    | 46 | 45 | 44 |    | 42 |    |    |    |    |    | 37 |    |    | 35 | 34 | 33 |    |
|          |                |                |                   |                  |                    | 73  |    |    |    | 32 | 31 |    |    | 28 | 27 | 25 |    |    |    |    |    |    |    |    |    |    | 18 |    |
| SALEABLE | NOT APPLICABLE | 34566-5683     | 0                 | B                | ST GRAY            | 72  |    |    |    |    |    |    |    |    |    | 62 | 61 |    |    |    |    |    |    |    |    |    |    |    |
|          |                |                |                   |                  |                    | 52  |    |    |    | 48 |    | 46 |    | 44 | 43 |    | 41 | 40 |    |    |    |    |    |    |    | 20 | 19 | 18 |
|          |                |                |                   |                  |                    | 73  |    |    |    | 16 |    | 14 |    |    |    |    |    |    |    |    |    |    |    |    |    | 4  |    |    |
| SALEABLE | NOT APPLICABLE | 34566-5693     | 0                 | A                | BLACK              | 72  | 71 | 70 | 69 | 68 |    | 66 | 65 | 64 | 63 |    | 61 | 60 |    |    | 57 | 56 |    |    | 54 | 53 |    |    |
|          |                |                |                   |                  |                    | 52  | 51 | 50 | 49 | 48 |    | 46 | 45 | 44 | 43 |    |    | 40 | 39 | 38 | 37 | 36 |    |    |    | 34 | 33 |    |
|          |                |                |                   |                  |                    | 73  |    |    |    | 32 | 31 | 30 | 29 | 28 |    |    | 26 | 25 |    | 23 | 22 | 21 | 20 |    |    |    |    |    |
| SALEABLE | NOT APPLICABLE | 34566-5713     | 0                 | C                | BLUE               |   |    |    | 69 |    | 67 | 66 | 64 |    | 62 |    | 60 |    |    | 57 |    |    | 55 | 54 |    |    |    |    |
|          |                |                |                   |                  |                    | 52  | 51 | 50 |    | 48 |    | 46 | 45 | 44 |    | 42 |    |    |    |    |    | 37 |    |    | 35 | 34 | 33 |    |
|          |                |                |                   |                  |                    | 73  |    |    |    | 32 | 31 |    |    | 28 | 27 | 26 |    |    |    |    |    |    |    |    |    | 19 | 18 | 17 |
| SALEABLE | NOT APPLICABLE | 34566-5723     | 0                 | C                | BLUE               |   |    |    | 69 |    | 67 | 66 | 64 |    | 62 |    | 60 |    |    | 57 |    |    | 55 | 54 |    |    |    |    |
|          |                |                |                   |                  |                    | 52  | 51 | 50 | 49 | 48 |    | 46 | 45 | 44 |    | 42 |    |    |    |    |    | 37 |    |    | 35 | 34 | 33 |    |
|          |                |                |                   |                  |                    | 73  |    |    |    | 32 | 31 |    |    | 28 | 27 | 25 |    |    |    |    |    |    |    |    |    |    | 18 |    |

MX123 52/66/73/80-WAY RECEPTACLE ASSY SEALED PIN OUT SHEET

| STATUS   | GM PART #      | HRNS CONN ASSY                          |                   |                  | TPA                | GROMMET CAP                                 |    |    |    |    |    |    |    |    |    |    |    |    |    |    |    |    |    |    |    |    |    |    |
|----------|----------------|---|-------------------|------------------|--------------------|---|----|----|----|----|----|----|----|----|----|----|----|----|----|----|----|----|----|----|----|----|----|----|
|          |                | MATERIAL/PART                           | WIRE DRESS OPTION | KEY OPTION<br>Fp | COLOR OPTION<br>Fp | NUMBERS INDICATE CAVITIES OPEN FOR CIRCUITS |    |    |    |    |    |    |    |    |    |    |    |    |    |    |    |    |    |    |    |    |    |    |
|          |                | NUMBER                                  |                   |                  |                    | Fp  |    |    |    |    |    |    |    |    |    |    |    |    |    |    |    |    |    |    |    |    |    |    |
| SALEABLE | NOT APPLICABLE | 34566-5733                              | 0                 | A                | BLACK              | 52  | 71 | 70 | 69 |    |    |    |    | 64 | 63 |    |    | 60 | 59 | 58 | 57 | 56 | 55 | 54 | 53 |    |    |    |
|          |                |   |                   |                  |                    |   |    |    | 49 |    |    |    | 45 | 44 | 43 | 42 | 41 |    |    |    |    |    |    |    | 36 |    |    |    |
|          |                |   |                   |                  |                    | 73  |    |    |    | 32 |    | 30 |    | 28 |    | 26 |    |    |    |    |    |    |    |    |    |    | 19 | 18 |
| SALEABLE | NOT APPLICABLE | 34566-5743                              | 0                 | A                | BLACK              | 52  | 71 | 70 | 69 |    |    |    |    | 64 | 63 |    |    | 60 | 59 |    | 57 | 56 | 55 | 54 | 53 |    |    |    |
|          |                |   |                   |                  |                    |   |    |    | 49 |    |    |    | 45 | 44 | 43 | 42 | 41 |    |    |    |    |    |    |    | 37 | 36 |    |    |
|          |                |   |                   |                  |                    | 73  |    |    |    | 32 |    | 30 |    | 28 |    | 26 |    |    |    |    |    |    |    |    |    |    | 19 | 18 |
| SALEABLE | NOT APPLICABLE | 34566-5753                              | 0                 | A                | BLACK              | 52  | 71 | 70 | 69 |    |    |    |    | 64 | 63 |    |    | 60 | 59 |    | 57 | 56 | 55 | 54 | 53 |    |    |    |
|          |                |   |                   |                  |                    |   |    |    | 49 |    |    |    | 45 | 44 | 43 | 42 | 41 |    |    |    |    |    |    |    | 37 | 36 |    |    |
|          |                |   |                   |                  |                    | 73  |    |    |    | 32 |    | 30 |    | 28 |    | 26 |    |    |    | 23 |    | 21 |    |    |    |    | 19 | 18 |
| SALEABLE | NOT APPLICABLE | 34566-5763                              | 0                 | C                | BLUE               | 72  |    | 70 |    | 68 |    | 66 |    |    | 63 | 62 |    |    | 59 | 58 | 57 |    |    |    | 53 |    |    |    |
|          |                |   |                   |                  |                    | 52  | 51 |    |    | 48 | 47 | 46 |    | 44 |    | 42 |    | 40 | 39 |    |    |    |    |    | 37 | 36 |    | 34 |
|          |                |   |                   |                  |                    | 73  |    |    |    | 32 |    | 30 |    |    | 27 | 26 | 25 | 24 |    |    | 22 | 21 | 20 |    |    |    |    |    |
| SALEABLE | NOT APPLICABLE | 34566-5773                              | 0                 | C                | BLUE               | 72  |    | 70 |    | 68 |    | 66 |    |    | 63 | 62 |    |    | 59 | 58 | 57 |    |    |    | 53 |    |    |    |
|          |                |   |                   |                  |                    | 52  | 51 |    |    | 48 | 47 |    |    | 44 |    | 42 |    | 40 | 39 |    |    |    |    |    | 37 | 36 |    | 34 |
|          |                |   |                   |                  |                    | 73  |    |    |    | 32 |    | 30 |    |    | 27 | 26 | 25 | 24 |    |    | 22 | 21 | 20 |    |    |    |    |    |
| SALEABLE | NOT APPLICABLE | 34566-5783                              | 0                 | C                | BLUE               | 72  |    | 70 |    | 68 |    | 66 |    |    | 63 | 62 |    |    | 59 | 58 | 57 |    |    |    | 53 |    |    |    |
|          |                |   |                   |                  |                    | 52  | 51 |    |    | 48 | 47 |    |    | 44 |    | 42 |    | 40 | 39 |    |    |    |    |    | 37 | 36 |    | 34 |
|          |                |   |                   |                  |                    | 73  |    |    |    | 32 |    | 30 |    |    | 27 | 26 | 25 | 24 |    |    | 22 | 21 | 20 |    |    |    |    |    |
| SALEABLE | NOT APPLICABLE | 34566-5793<br>SAME AS P/N<br>34566-4013 | 0                 | B                | ST GRN             | 72  |    | 70 |    | 68 |    | 66 |    |    |    |    | 60 | 59 |    |    |    |    |    | 55 | 54 | 53 |    |    |
|          |                |   |                   |                  |                    | 52  |    | 50 |    | 48 |    | 46 |    |    |    |    | 40 | 39 |    |    |    |    |    |    |    | 35 | 34 | 33 |
|          |                |   |                   |                  |                    | 73  |    |    |    | 32 | 31 | 30 | 29 | 28 | 27 | 26 | 25 | 24 |    |    |    |    |    |    |    |    |    |    |
| SALEABLE | NOT APPLICABLE | 34566-5813                              | 0                 | B                | ST GRN             | 72  |    | 70 |    | 68 |    | 66 |    |    |    |    | 60 | 59 |    |    |    |    |    | 55 | 54 | 53 |    |    |
|          |                |   |                   |                  |                    | 52  |    | 50 |    | 48 |    | 46 |    |    |    |    | 40 | 39 |    |    |    |    |    |    |    | 35 | 34 | 33 |
|          |                |   |                   |                  |                    | 73  |    |    |    | 32 | 31 | 30 | 29 | 28 | 27 | 26 | 25 | 24 | 23 |    |    |    |    |    |    |    | 19 | 18 |
| SALEABLE | NOT APPLICABLE | 34566-5823                              | 0                 | A                | BLACK              | 72  |    | 70 |    |    |    |    |    |    | 63 |    |    |    |    |    |    |    |    |    |    |    |    |    |
|          |                |   |                   |                  |                    | 52  |    |    | 49 |    |    |    |    |    | 43 |    | 41 |    |    |    |    |    |    |    |    |    |    |    |
|          |                |   |                   |                  |                    | 73  |    |    |    |    | 31 | 30 |    | 28 | 27 | 26 |    |    | 23 |    |    |    |    |    |    | 20 | 19 |    |
| SALEABLE | NOT APPLICABLE | 34566-5833                              | 0                 | A                | BLACK              | 72  |    | 70 |    |    |    |    |    |    | 63 |    |    |    |    |    |    |    |    |    |    |    |    |    |
|          |                |   |                   |                  |                    | 52  |    |    | 49 |    |    |    |    |    | 43 |    | 41 |    |    |    |    |    |    |    |    |    |    |    |
|          |                |   |                   |                  |                    | 73  |    |    |    |    | 31 | 30 |    | 28 | 27 | 26 |    |    | 23 |    |    |    |    |    |    | 20 | 19 |    |
| SALEABLE | NOT APPLICABLE | 34566-5843                              | 0                 | H                | ST GRN             |   | 79 |    |    |    |    |    |    |    |    |    |    |    |    |    |    |    |    |    |    |    |    |    |
|          |                |   |                   |                  |                    |   | 59 |    | 57 |    |    | 74 | 73 | 72 | 71 |    |    | 68 | 67 |    | 65 | 64 | 63 | 62 | 61 |    |    |    |
|          |                |   |                   |                  |                    |   |    | 38 |    |    |    | 34 | 33 |    |    |    |    | 29 | 27 |    | 25 |    |    |    |    |    |    |    |
| SALEABLE | NOT APPLICABLE | 34566-5853                              | 0                 | H                | ST GRN             |   | 79 |    |    |    |    |    |    |    |    |    |    |    |    |    |    |    |    |    |    |    |    |    |
|          |                |   |                   |                  |                    |   | 59 |    | 57 |    |    | 74 | 73 | 72 | 71 |    |    | 68 | 67 |    | 65 | 64 | 63 | 62 | 61 |    |    |    |
|          |                |   |                   |                  |                    |   |    | 38 |    |    |    | 34 | 33 |    |    |    |    | 29 | 27 |    | 25 |    |    |    |    |    |    |    |
| SALEABLE | NOT APPLICABLE | 34566-5863                              | 0                 | C                | BLUE               | 72  |    | 70 |    |    |    | 66 |    |    | 63 | 62 |    |    | 59 |    | 57 | 56 | 55 |    | 53 |    |    |    |
|          |                |   |                   |                  |                    | 52  | 51 |    |    |    |    | 46 | 44 |    | 42 |    | 40 | 39 |    |    | 37 | 36 |    |    | 34 | 33 |    |    |
|          |                |   |                   |                  |                    | 73  |    |    |    | 32 |    | 30 |    |    |    | 26 | 25 |    |    | 22 | 21 |    |    |    |    | 19 | 18 |    |
| SALEABLE | NOT APPLICABLE | 34566-5873                              | 0                 | B                | ST GRN             | 72  |    |    |    |    |    |    |    |    |    |    |    |    |    |    |    |    |    |    |    |    |    |    |
|          |                |   |                   |                  |                    | 52  |    |    |    | 48 | 47 | 46 |    | 44 | 43 |    | 41 | 40 |    |    |    |    |    |    |    | 20 | 19 | 18 |
|          |                |   |                   |                  |                    | 73  |    |    |    | 16 | 15 | 14 |    |    |    |    |    |    |    |    |    |    |    |    |    | 4  |    |    |
| SALEABLE | NOT APPLICABLE | 34566-5883                              | 0                 | B                | ST GRN             | 72  |    |    |    |    |    |    |    |    |    | 62 | 61 |    |    |    |    |    |    |    |    |    |    |    |
|          |                |   |                   |                  |                    | 52  |    |    |    | 48 | 47 | 46 |    |    | 43 |    | 41 | 40 |    |    |    |    |    |    |    | 20 | 19 | 18 |
|          |                |   |                   |                  |                    | 73  |    |    |    | 16 | 15 | 14 |    |    |    |    |    |    |    |    |    |    |    |    |    | 4  |    |    |

MX123 52/66/73/80-WAY RECEPTACLE ASSY SEALED PIN OUT SHEET

| STATUS   | GM PART #      | HRNS CONN ASSY |                   |                  | TPA                | GROMMET CAP                                 |    |    |    |    |    |    |    |    |    |    |    |    |    |    |    |    |    |    |    |  |  |
|----------|----------------|----------------|-------------------|------------------|--------------------|---|----|----|----|----|----|----|----|----|----|----|----|----|----|----|----|----|----|----|----|--|--|
|          |                | MATERIAL/PART  | WIRE DRESS OPTION | KEY OPTION<br>Fp | COLOR OPTION<br>Fp | NUMBERS INDICATE CAVITIES OPEN FOR CIRCUITS |    |    |    |    |    |    |    |    |    |    |    |    |    |    |    |    |    |    |    |  |  |
|          |                | NUMBER         |                   |                  |                    | Fp  |    |    |    |    |    |    |    |    |    |    |    |    |    |    |    |    |    |    |    |  |  |
| SALEABLE | NOT APPLICABLE | 34566-5893     | 0                 | C                | BLUE               | 52  | 51 | 50 | 69 | 48 | 67 | 66 | 45 | 44 | 62 | 60 | 57 | 55 | 54 | 33 | 34 | 35 | 18 | 19 |    |  |  |
|          |                |                |                   |                  |                    | 73  |    |    |    | 32 | 28 | 27 | 26 | 9  | 37 | 19 | 18 |    |    |    |    |    |    |    |    |  |  |
|          |                |                |                   |                  |                    | 73  |    |    |    | 16 | 15 | 14 | 13 | 12 | 11 | 10 | 9  |    |    |    |    |    |    |    |    |  |  |
| SALEABLE | NOT APPLICABLE | 34566-5913     | 0                 | C                | BLUE               | 52  | 51 | 50 | 49 | 68 | 67 | 66 | 64 | 61 | 60 | 57 | 54 | 33 | 34 | 35 | 18 | 19 |    |    |    |  |  |
|          |                |                |                   |                  |                    | 73  |    |    |    | 32 | 28 | 27 | 25 | 9  | 37 | 18 |    |    |    |    |    |    |    |    |    |  |  |
|          |                |                |                   |                  |                    | 73  |    |    |    | 16 | 15 | 14 | 13 | 12 | 11 | 10 | 9  |    |    |    |    |    |    |    |    |  |  |
| SALEABLE | NOT APPLICABLE | 34566-5933     | 0                 | C                | BLUE               | 72  | 71 | 70 | 69 | 68 | 67 | 66 | 64 | 63 | 62 | 59 | 57 | 56 | 55 | 33 | 34 | 35 | 18 | 19 |    |  |  |
|          |                |                |                   |                  |                    | 52  | 51 |    |    | 48 | 47 | 46 | 44 | 42 | 40 | 39 | 37 | 36 | 35 | 34 | 33 |    |    |    |    |  |  |
|          |                |                |                   |                  |                    | 73  |    |    |    | 32 | 30 | 28 | 26 | 25 | 23 | 22 | 21 | 20 | 19 | 18 |    |    |    |    |    |  |  |
| SALEABLE | NOT APPLICABLE | 34566-5943     | 0                 | C                | BLUE               | 72  | 71 | 70 | 69 | 68 | 67 | 66 | 64 | 63 | 62 | 59 | 57 | 56 | 55 | 33 | 34 | 35 | 18 | 19 |    |  |  |
|          |                |                |                   |                  |                    | 52  | 51 |    | 49 | 48 | 47 | 46 | 44 | 42 | 40 | 39 | 37 | 36 | 35 | 34 | 33 |    |    |    |    |  |  |
|          |                |                |                   |                  |                    | 73  |    |    |    | 32 | 30 | 28 | 26 | 25 | 23 | 22 | 21 | 20 | 19 | 18 |    |    |    |    |    |  |  |
| SALEABLE | NOT APPLICABLE | 34566-5953     | 0                 | A                | BLACK              | 72  | 71 | 70 | 69 | 68 | 67 | 66 | 65 | 64 | 63 | 62 | 61 | 60 | 58 | 57 | 56 | 55 | 54 | 53 |    |  |  |
|          |                |                |                   |                  |                    | 52  | 51 |    | 49 | 48 | 47 | 46 | 45 | 44 | 43 | 42 | 41 | 40 | 39 | 38 | 37 | 36 | 35 | 34 | 33 |  |  |
|          |                |                |                   |                  |                    | 73  |    |    |    | 32 | 30 | 29 | 28 | 27 | 26 | 24 | 23 | 22 | 21 | 20 | 19 | 18 |    |    |    |  |  |
| SALEABLE | NOT APPLICABLE | 34566-5963     | 0                 | B                | ST GRAY            | 72  | 71 | 70 | 69 | 68 | 67 | 66 | 65 | 64 | 63 | 62 | 61 | 60 | 59 | 58 | 57 | 56 | 55 | 54 | 53 |  |  |
|          |                |                |                   |                  |                    | 52  | 51 | 50 |    | 48 | 47 | 46 | 45 | 44 | 43 | 42 | 41 | 40 | 39 | 38 | 37 | 36 | 35 | 34 | 33 |  |  |
|          |                |                |                   |                  |                    | 73  |    |    |    | 32 | 31 | 30 | 29 | 28 | 27 | 26 | 25 | 24 | 23 | 22 | 21 | 20 | 19 | 18 |    |  |  |
| SALEABLE | NOT APPLICABLE | 34566-5973     | 0                 | C                | BLUE               | 72  | 71 | 70 | 69 | 68 | 67 | 66 | 65 | 64 | 63 | 62 | 59 | 57 | 56 | 55 | 33 | 34 | 35 | 18 | 19 |  |  |
|          |                |                |                   |                  |                    | 52  | 51 |    |    | 48 | 47 | 46 | 44 | 42 | 40 | 39 | 37 | 36 | 35 | 34 | 33 |    |    |    |    |  |  |
|          |                |                |                   |                  |                    | 73  |    |    |    | 32 | 30 | 28 | 26 | 25 | 23 | 22 | 21 | 20 | 19 | 18 |    |    |    |    |    |  |  |
| SALEABLE | NOT APPLICABLE | 34566-5983     | 0                 | C                | BLUE               | 52  | 51 | 50 | 69 | 48 | 67 | 66 | 64 | 62 | 60 | 57 | 55 | 54 | 33 | 34 | 35 | 18 | 19 |    |    |  |  |
|          |                |                |                   |                  |                    | 73  |    |    |    | 32 | 28 | 27 | 26 | 9  | 37 | 19 | 18 |    |    |    |    |    |    |    |    |  |  |
|          |                |                |                   |                  |                    | 73  |    |    |    | 16 | 15 | 14 | 13 | 12 | 11 | 10 | 9  |    |    |    |    |    |    |    |    |  |  |
| SALEABLE | NOT APPLICABLE | 34566-5993     | 0                 | A                | BLACK              | 72  | 71 | 70 | 69 | 68 | 67 | 66 | 65 | 64 | 63 | 62 | 61 | 60 | 58 | 57 | 56 | 55 | 54 | 53 |    |  |  |
|          |                |                |                   |                  |                    | 52  | 51 | 50 | 49 | 48 | 47 | 46 | 45 | 44 | 43 | 42 | 41 | 40 | 39 | 38 | 37 | 36 | 35 | 34 | 33 |  |  |
|          |                |                |                   |                  |                    | 73  |    |    |    | 32 | 31 | 30 | 29 | 28 | 27 | 26 | 25 | 24 | 23 | 22 | 21 | 20 | 19 | 18 | 17 |  |  |
| SALEABLE | NOT APPLICABLE | 34566-6013     | 0                 | B                | ST GRAY            | 72  | 71 | 70 | 69 | 68 | 67 | 66 | 65 | 64 | 63 | 62 | 61 | 60 | 59 | 58 | 57 | 56 | 55 | 54 | 53 |  |  |
|          |                |                |                   |                  |                    | 52  | 51 | 50 | 49 | 48 | 47 | 46 | 45 | 44 | 43 | 42 | 41 | 40 | 39 | 38 | 37 | 36 | 35 | 34 | 33 |  |  |
|          |                |                |                   |                  |                    | 73  |    |    |    | 32 | 31 | 30 | 29 | 28 | 27 | 26 | 24 | 23 | 22 | 21 | 20 | 19 | 18 |    |    |  |  |
| SALEABLE | NOT APPLICABLE | 34566-6023     | 0                 | A                | BLACK              | 72  | 71 | 70 | 69 | 68 | 67 | 66 | 65 | 64 | 63 | 62 | 61 | 60 | 59 | 58 | 57 | 56 | 55 | 54 | 53 |  |  |
|          |                |                |                   |                  |                    | 52  | 51 | 50 | 49 | 48 | 47 | 46 | 45 | 44 | 43 | 42 | 41 | 40 | 39 | 38 | 37 | 36 | 35 | 34 | 33 |  |  |
|          |                |                |                   |                  |                    | 73  |    |    |    | 32 | 31 | 30 | 29 | 28 | 27 | 26 | 24 | 23 | 22 | 21 | 20 | 19 | 17 |    |    |  |  |
| SALEABLE | NOT APPLICABLE | 34566-6033     | 0                 | A                | BLACK              | 72  | 71 | 70 | 69 | 68 | 67 | 66 | 65 | 64 | 63 | 62 | 61 | 60 | 58 | 57 | 56 | 55 | 54 | 53 |    |  |  |
|          |                |                |                   |                  |                    | 52  | 51 |    | 49 | 48 | 47 | 46 | 45 | 44 | 43 | 42 | 41 | 40 | 39 | 38 | 37 | 36 | 35 | 34 | 33 |  |  |
|          |                |                |                   |                  |                    | 73  |    |    |    | 32 | 29 | 28 | 27 | 26 | 10 | 8  | 5  | 3  |    |    |    |    |    |    |    |  |  |
| SALEABLE | NOT APPLICABLE | 34566-6043     | 0                 | B                | ST GRAY            | 72  | 71 | 70 | 69 | 68 | 67 | 66 | 65 | 64 | 63 | 62 | 61 | 60 | 58 | 57 | 56 | 55 | 54 | 53 |    |  |  |
|          |                |                |                   |                  |                    | 52  | 51 |    |    | 48 | 47 | 46 | 45 | 44 | 43 | 42 | 41 | 40 | 39 | 38 | 37 | 36 | 35 | 34 | 33 |  |  |
|          |                |                |                   |                  |                    | 73  |    |    |    | 32 | 30 | 29 | 28 | 27 | 10 | 8  | 5  | 3  |    |    |    |    |    |    |    |  |  |
| SALEABLE | NOT APPLICABLE | 34566-6053     | 0                 | B                | ST GRAY            | 72  | 71 | 70 | 69 | 68 | 67 | 66 | 65 | 64 | 63 | 62 | 61 | 60 | 58 | 57 | 56 | 55 | 54 | 53 |    |  |  |
|          |                |                |                   |                  |                    | 52  | 51 |    |    | 48 | 47 | 46 | 45 | 44 | 43 | 42 | 41 | 40 | 39 | 38 | 37 | 36 | 35 | 34 | 33 |  |  |
|          |                |                |                   |                  |                    | 73  |    |    |    | 32 | 30 | 29 | 28 | 27 | 10 | 8  | 5  | 3  |    |    |    |    |    |    |    |  |  |
| SALEABLE | NOT APPLICABLE | 34566-6063     | 0                 | C                | BLUE               | 52  | 51 | 50 | 69 | 48 | 67 | 66 | 64 | 62 | 60 | 57 | 55 | 54 | 33 | 34 | 35 | 18 | 19 |    |    |  |  |
|          |                |                |                   |                  |                    | 73  |    |    |    | 32 | 28 | 27 | 26 | 9  | 37 | 19 | 18 |    |    |    |    |    |    |    |    |  |  |
|          |                |                |                   |                  |                    | 73  |    |    |    | 16 | 15 | 14 | 13 | 12 | 11 | 10 | 9  |    |    |    |    |    |    |    |    |  |  |





MX123 52/66/73/80-WAY RECEPTACLE ASSY SEALED PIN OUT SHEET

| STATUS   | GM PART #      | HRNS CONN ASSY |                   |                  | TPA                | GROMMET CAP                                 |    |    |    |    |    |    |    |    |    |    |    |    |    |    |    |    |    |    |    |
|----------|----------------|----------------|-------------------|------------------|--------------------|---|----|----|----|----|----|----|----|----|----|----|----|----|----|----|----|----|----|----|----|
|          |                | MATERIAL/PART  | WIRE DRESS OPTION | KEY OPTION<br>Fp | COLOR OPTION<br>Fp | NUMBERS INDICATE CAVITIES OPEN FOR CIRCUITS |    |    |    |    |    |    |    |    |    |    |    |    |    |    |    |    |    |    |    |
|          |                | NUMBER         |                   |                  |                    | Fp  |    |    |    |    |    |    |    |    |    |    |    |    |    |    |    |    |    |    |    |
| SALEABLE | NOT APPLICABLE | 34566-6273     | 9                 | B                | ST GRY             | 71  | 70 | 69 | 65 | 64 | 63 | 62 | 61 | 60 | 58 | 57 | 56 | 55 | 54 | 53 |    |    |    |    |    |
|          |                |                |                   |                  |                    | 52  | 51 | 50 | 49 | 48 | 47 | 45 | 44 | 43 | 42 | 41 | 40 | 39 | 37 | 36 | 34 | 33 |    |    |    |
|          |                |                |                   |                  |                    | 73  |    |    | 32 | 30 | 29 | 28 | 27 | 26 | 24 | 19 | 18 | 3  |    |    |    |    |    |    |    |
| SALEABLE | NOT APPLICABLE | 34566-6283     | 9                 | C                | BLUE               | 72  | 71 | 70 | 68 | 67 | 66 | 63 | 62 | 59 | 57 |    |    |    |    |    |    |    |    |    |    |
|          |                |                |                   |                  |                    | 52  | 51 |    | 48 | 47 | 46 | 44 |    | 40 | 39 |    |    |    |    |    | 34 | 33 |    |    |    |
|          |                |                |                   |                  |                    | 73  |    |    | 32 | 30 |    |    | 27 | 26 | 25 | 22 | 21 |    |    |    |    |    |    |    |    |
| SALEABLE | NOT APPLICABLE | 34566-6293     | 9                 | B                | ST GRY             | 72  | 71 | 70 | 68 | 67 | 66 | 62 | 61 | 60 | 59 | 58 | 57 | 56 | 55 | 54 | 53 |    |    |    |    |
|          |                |                |                   |                  |                    | 52  | 51 | 50 | 48 | 47 | 46 |    | 42 | 41 | 40 | 39 | 38 | 37 | 36 | 35 | 34 | 33 |    |    |    |
|          |                |                |                   |                  |                    | 73  |    |    | 32 | 31 | 30 | 29 | 28 | 27 | 26 | 25 | 24 |    |    |    |    |    | 17 |    |    |
| SALEABLE | NOT APPLICABLE | 34566-6313     | 9                 | B                | ST GRY             | 71  | 70 | 69 |    |    |    | 63 | 62 | 61 | 60 | 58 | 57 | 56 | 55 | 54 | 53 |    |    |    |    |
|          |                |                |                   |                  |                    | 52  | 51 | 50 | 49 |    |    | 44 | 43 | 42 | 41 | 39 | 37 | 36 |    |    | 19 | 18 |    |    |    |
|          |                |                |                   |                  |                    | 73  |    |    | 32 |    | 29 | 28 | 27 | 26 |    |    |    |    |    |    |    | 3  |    |    |    |
| SALEABLE | NOT APPLICABLE | 34566-6323     | 9                 | B                | ST GRY             | 71  | 70 | 69 |    |    |    | 64 | 63 |    | 60 | 59 | 58 | 57 | 56 | 55 | 54 | 53 |    |    |    |
|          |                |                |                   |                  |                    | 52  | 51 | 50 | 49 |    |    | 45 | 44 | 43 | 42 | 41 | 39 | 37 | 36 |    |    | 34 | 33 |    |    |
|          |                |                |                   |                  |                    | 73  |    |    | 32 |    | 30 |    | 28 |    | 26 |    |    |    |    |    |    | 19 | 18 |    |    |
| SALEABLE | NOT APPLICABLE | 34566-6333     | 9                 | C                | BLUE               | 72  | 71 | 70 | 68 | 67 | 66 | 63 | 62 | 59 | 57 | 56 | 55 | 54 | 53 |    |    |    |    |    |    |
|          |                |                |                   |                  |                    | 52  | 51 |    | 48 | 47 | 46 | 44 |    | 40 | 39 |    |    |    |    |    | 34 | 33 |    |    |    |
|          |                |                |                   |                  |                    | 73  |    |    | 32 |    | 30 |    | 27 | 26 | 25 | 22 | 21 |    |    | 19 | 18 |    |    |    |    |
| SALEABLE | NOT APPLICABLE | 34566-6343     | 9                 | A                | BLACK              | 71  | 70 | 69 |    |    |    | 64 | 63 |    | 60 | 59 | 58 | 57 | 56 | 55 | 54 | 53 |    |    |    |
|          |                |                |                   |                  |                    | 52  | 51 | 50 | 49 |    |    | 44 | 43 | 42 | 41 | 40 | 39 | 37 | 36 |    |    | 34 | 33 |    |    |
|          |                |                |                   |                  |                    | 73  |    |    | 32 |    | 29 | 28 | 27 | 26 |    |    |    |    |    |    |    | 19 | 18 | 17 |    |
| SALEABLE | NOT APPLICABLE | 34566-6353     | 9                 | C                | BLUE               | 72  | 71 | 70 | 68 | 67 | 66 | 63 | 62 | 59 | 58 | 57 | 56 | 55 | 54 | 53 |    |    |    |    |    |
|          |                |                |                   |                  |                    | 52  | 51 |    | 48 | 47 | 46 | 44 |    | 40 | 39 |    |    |    |    |    | 34 | 33 |    |    |    |
|          |                |                |                   |                  |                    | 73  |    |    | 32 |    | 30 |    | 27 | 26 | 25 | 23 | 22 | 21 | 20 |    |    | 17 |    |    |    |
| SALEABLE | NOT APPLICABLE | 34566-6363     | 9                 | B                | ST GRY             | 72  | 71 | 70 | 68 | 67 | 66 |    |    | 60 | 59 |    |    | 55 | 54 | 53 |    |    |    |    |    |
|          |                |                |                   |                  |                    | 52  | 51 | 50 | 48 | 47 | 46 |    |    | 40 | 39 |    |    |    |    | 35 | 34 | 33 |    |    |    |
|          |                |                |                   |                  |                    | 73  |    |    | 32 | 31 | 30 | 29 | 28 | 27 | 26 | 25 | 24 | 23 |    |    | 19 | 18 | 17 |    |    |
| SALEABLE | NOT APPLICABLE | 34566-6373     | 9                 | A                | BLACK              | 72  | 71 | 70 | 69 | 67 |    | 64 | 63 |    | 60 | 59 | 58 | 57 | 56 | 55 | 54 | 53 |    |    |    |
|          |                |                |                   |                  |                    | 52  | 51 | 50 | 49 | 47 |    | 45 | 44 | 43 | 42 | 41 | 40 | 39 | 37 | 36 |    |    | 34 | 33 |    |
|          |                |                |                   |                  |                    | 73  |    |    | 32 |    | 30 |    | 28 |    | 26 |    |    | 23 |    | 21 |    | 19 | 18 | 17 |    |
| SALEABLE | NOT APPLICABLE | 34566-6383     | 9                 | A                | BLACK              | 72  | 71 | 70 | 69 | 68 | 66 | 65 | 64 | 63 | 61 | 60 | 57 | 56 | 54 | 53 |    |    |    |    |    |
|          |                |                |                   |                  |                    | 52  | 51 | 50 | 49 | 48 | 46 | 45 | 44 | 43 | 42 | 41 | 40 | 39 | 38 | 37 | 36 |    |    | 34 | 33 |
|          |                |                |                   |                  |                    | 73  |    |    | 32 | 31 | 30 | 29 | 28 |    |    |    | 23 | 22 | 21 |    |    |    |    |    | 2  |
| SALEABLE | NOT APPLICABLE | 34566-6393     | 9                 | C                | BLUE               | 71  | 70 | 69 | 67 | 66 | 65 | 64 | 62 | 61 | 60 | 58 | 57 |    |    | 55 | 54 |    |    |    |    |
|          |                |                |                   |                  |                    | 52  | 51 | 50 | 49 | 48 | 47 | 46 | 45 | 44 | 42 | 41 |    | 38 | 37 |    |    | 35 | 34 | 33 |    |
|          |                |                |                   |                  |                    | 73  |    |    | 32 |    | 28 | 27 | 26 | 25 |    |    |    |    |    |    |    | 19 | 18 | 17 |    |
| SALEABLE | NOT APPLICABLE | 34566-6413     | 9                 | B                | ST GRY             | 72  | 71 | 70 | 68 | 67 |    | 63 | 62 | 61 | 60 | 59 |    |    | 55 |    |    |    |    |    |    |
|          |                |                |                   |                  |                    | 52  | 51 |    | 48 | 47 | 46 | 44 | 43 | 41 | 40 |    | 38 | 37 | 36 | 35 |    |    |    |    |    |
|          |                |                |                   |                  |                    | 73  |    |    | 32 |    | 30 |    | 27 |    |    |    |    |    |    | 20 | 19 | 18 | 17 |    |    |
| SALEABLE | NOT APPLICABLE | 34566-6423     | 9                 | C                | BLUE               | 72  | 71 | 70 | 69 | 67 | 66 | 65 | 64 |    |    |    |    | 56 | 54 |    |    |    |    |    |    |
|          |                |                |                   |                  |                    | 52  | 51 | 50 | 49 | 48 | 47 | 46 | 45 | 44 |    |    | 39 | 38 |    |    |    |    |    | 34 | 33 |
|          |                |                |                   |                  |                    | 73  |    |    | 32 | 31 | 30 | 29 | 28 |    | 26 | 25 |    | 23 | 22 | 21 |    |    |    |    | 17 |
| SALEABLE | NOT APPLICABLE | 34566-6433     | 9                 | A                | BLACK              | 72  | 71 | 70 | 67 | 66 |    | 63 | 62 | 61 | 60 | 59 | 58 | 57 | 56 | 55 |    |    |    |    |    |
|          |                |                |                   |                  |                    | 52  | 51 |    | 48 | 47 | 46 |    | 43 | 42 |    | 40 | 39 | 38 | 37 | 36 | 35 |    |    |    |    |
|          |                |                |                   |                  |                    | 73  |    |    | 32 |    |    | 28 | 27 |    |    |    |    | 22 | 21 |    |    |    |    | 18 | 17 |



MX123 52/66/73/80-WAY RECEPTACLE ASSY SEALED PIN OUT SHEET

| STATUS   | GM PART #      | HRNS CONN ASSY |                   |                  | TPA                | GROMMET CAP                                 |    |    |    |    |    |    |    |    |    |    |    |    |    |    |    |    |    |    |    |    |    |
|----------|----------------|----------------|-------------------|------------------|--------------------|---|----|----|----|----|----|----|----|----|----|----|----|----|----|----|----|----|----|----|----|----|----|
|          |                | MATERIAL/PART  | WIRE DRESS OPTION | KEY OPTION<br>Fp | COLOR OPTION<br>Fp | NUMBERS INDICATE CAVITIES OPEN FOR CIRCUITS |    |    |    |    |    |    |    |    |    |    |    |    |    |    |    |    |    |    |    |    |    |
|          |                | NUMBER         |                   |                  |                    | Fp  |    |    |    |    |    |    |    |    |    |    |    |    |    |    |    |    |    |    |    |    |    |
| SALEABLE | NOT APPLICABLE | 34566-6613     | 0                 | A                | BLACK              | 72  | 71 | 70 | 69 |    |    | 66 |    | 64 | 63 |    | 61 | 60 |    |    | 57 | 56 |    | 54 | 53 |    |    |
|          |                |                |                   |                  |                    | 52  | 51 | 50 | 49 |    |    | 46 | 45 | 44 | 43 |    | 26 | 25 |    | 23 | 22 | 21 |    |    |    | 34 | 33 |
|          |                |                |                   |                  |                    | 73  |    |    |    | 32 | 31 | 30 | 29 | 28 |    |    |    |    | 9  |    | 7  | 6  | 5  |    |    |    | 2  |
| SALEABLE | NOT APPLICABLE | 34566-6623     | 9                 | B                | ST GRAY            |   |    |    |    | 68 | 67 |    |    | 64 |    |    |    |    | 59 | 58 |    |    | 54 |    |    |    |    |
|          |                |                |                   |                  |                    |   |    |    |    |    |    | 46 | 45 |    |    |    |    |    | 39 | 38 |    |    |    |    |    |    |    |
|          |                |                |                   |                  |                    | 73  |    |    |    | 32 |    | 30 | 29 | 28 | 27 |    |    |    | 23 | 22 |    |    |    |    |    |    |    |
| SALEABLE | NOT APPLICABLE | 34566-6633     | 9                 | C                | BLUE               |   |    |    | 69 |    | 67 | 66 |    | 64 |    | 62 |    | 60 |    |    | 57 |    |    | 54 |    |    |    |
|          |                |                |                   |                  |                    | 52  | 51 | 50 |    | 48 |    | 46 | 45 | 44 |    | 42 |    |    |    |    |    | 37 |    |    |    | 34 | 33 |
|          |                |                |                   |                  |                    | 73  |    |    |    |    |    |    |    | 28 | 27 | 26 |    |    |    |    |    |    |    |    |    |    |    |
| SALEABLE | NOT APPLICABLE | 34566-6643     | 9                 | C                | BLUE               |   | 71 |    |    | 68 | 67 |    | 65 | 64 | 63 |    | 61 | 60 |    | 58 | 57 |    |    | 54 |    |    |    |
|          |                |                |                   |                  |                    | 52  | 51 | 50 |    | 48 |    |    | 45 |    | 43 |    | 41 |    |    | 38 | 37 |    |    |    |    | 34 | 33 |
|          |                |                |                   |                  |                    | 73  |    |    |    |    |    |    |    | 28 | 27 |    | 25 |    |    |    |    |    |    |    |    |    |    |
| SALEABLE | NOT APPLICABLE | 34566-6653     | 9                 | B                | ST GRAY            | 72  |    |    |    | 68 |    |    |    |    |    | 62 | 61 | 60 | 59 |    |    |    |    | 55 |    |    |    |
|          |                |                |                   |                  |                    | 52  |    |    |    | 48 | 47 | 46 |    | 44 | 43 |    | 41 | 40 |    | 38 | 37 | 36 | 35 |    |    |    |    |
|          |                |                |                   |                  |                    | 73  |    |    |    |    |    | 30 |    |    |    |    |    |    |    |    |    | 20 | 19 | 18 |    |    |    |
| SALEABLE | NOT APPLICABLE | 34566-6663     | 9                 | A                | BLACK              |   |    |    |    | 68 |    |    | 65 | 64 | 63 |    |    |    |    |    |    |    |    | 54 |    |    |    |
|          |                |                |                   |                  |                    | 52  | 51 | 50 | 49 | 48 |    | 46 | 45 | 44 | 43 | 42 |    | 40 | 39 | 38 | 37 | 36 |    |    |    | 34 |    |
|          |                |                |                   |                  |                    | 73  |    |    |    | 32 | 31 | 30 | 29 | 28 |    |    | 26 | 25 |    | 23 | 22 | 21 | 20 |    |    |    |    |
| SALEABLE | NOT APPLICABLE | 34566-6673     | 9                 | B                | ST GRAY            | 72  | 71 | 70 | 69 | 68 | 67 | 66 | 65 | 64 | 63 |    | 61 | 60 | 59 |    | 57 | 56 | 55 |    |    |    |    |
|          |                |                |                   |                  |                    | 52  | 51 | 50 | 49 | 48 | 47 | 46 | 45 | 44 | 43 |    | 41 | 40 | 39 | 38 | 37 | 36 | 35 | 34 | 33 |    |    |
|          |                |                |                   |                  |                    | 73  |    |    |    | 32 | 31 | 30 | 29 | 28 |    |    | 26 |    | 24 | 23 | 22 | 21 | 20 | 19 | 18 | 17 |    |
| SALEABLE | NOT APPLICABLE | 34566-6683     | 9                 | A                | BLACK              |   |    | 70 |    |    | 67 |    |    |    |    | 63 |    | 60 | 59 | 58 | 57 |    |    |    |    |    |    |
|          |                |                |                   |                  |                    | 52  |    |    |    | 48 | 47 | 46 |    |    | 43 | 42 |    | 40 | 39 | 38 | 37 |    |    |    |    |    |    |
|          |                |                |                   |                  |                    | 73  |    |    |    | 32 | 31 | 30 | 29 | 28 | 27 |    |    |    |    |    | 22 | 21 |    |    |    |    |    |
| SALEABLE | NOT APPLICABLE | 34566-6693     | 9                 | C                | BLUE               | 72  | 71 | 70 | 69 |    | 67 | 66 | 65 | 64 |    |    |    |    |    |    |    | 56 |    | 54 |    |    |    |
|          |                |                |                   |                  |                    | 52  | 51 | 50 | 49 |    | 47 | 46 | 45 | 44 |    |    |    |    | 39 | 38 |    |    |    |    |    | 34 |    |
|          |                |                |                   |                  |                    | 73  |    |    |    |    |    | 31 | 30 | 29 | 28 |    |    | 26 | 25 | 24 | 23 | 22 | 21 |    |    |    |    |
| SALEABLE | TBD            | 34822-0063     | 9                 | A                | BLACK              |   | 63 | 62 | 61 | 60 | 59 |    |    |    |    | 54 | 53 |    | 51 |    | 49 |    |    |    | 66 |    |    |
|          |                |                |                   |                  |                    |   | 47 |    |    |    |    |    |    |    |    | 38 | 37 |    | 35 |    | 33 |    |    |    |    |    |    |
|          |                |                |                   |                  |                    | 65  |    |    |    |    |    |    |    |    | 28 |    |    | 25 |    | 22 | 21 | 20 | 19 | 18 | 17 |    |    |
| SALEABLE | NOT APPLICABLE | 34566-6713     | 9                 | A                | BLACK              | 72  | 71 | 70 | 69 | 68 |    |    | 66 | 65 | 64 | 63 |    | 61 | 60 |    | 57 | 56 |    | 54 | 53 |    |    |
|          |                |                |                   |                  |                    | 52  | 51 | 50 | 49 | 48 |    | 46 | 45 | 44 | 43 | 42 | 41 | 40 | 39 | 38 | 37 | 36 |    |    |    | 34 | 33 |
|          |                |                |                   |                  |                    | 73  |    |    |    | 32 | 31 | 30 | 29 | 28 |    |    | 26 | 25 |    | 23 | 22 | 21 |    |    |    |    |    |
| SALEABLE | NOT APPLICABLE | 34566-6723     | 0                 | H                | ST GRAY            |   | 79 |    |    |    |    |    | 74 | 73 |    |    |    |    | 67 |    | 65 | 64 | 63 | 62 | 61 |    |    |
|          |                |                |                   |                  |                    |   | 59 |    |    |    |    |    |    | 53 | 52 |    |    |    |    |    |    | 25 |    | 44 | 43 | 42 | 41 |
|          |                |                |                   |                  |                    |   |    | 38 |    |    |    |    |    | 33 |    |    |    |    |    |    |    | 27 |    |    |    |    |    |
| SALEABLE | NOT APPLICABLE | 34566-6733     | 0                 | G                | BLUE               |   |    | 78 | 77 |    | 75 | 74 |    | 72 |    | 70 |    |    |    |    | 64 | 63 |    |    |    |    |    |
|          |                |                |                   |                  |                    | 60  |    | 58 | 57 |    | 55 | 54 |    | 52 | 51 | 50 | 49 |    | 47 |    | 45 |    |    |    |    |    |    |
|          |                |                |                   |                  |                    | 40  | 39 | 38 | 37 |    |    |    | 33 | 32 | 31 |    |    |    |    | 27 | 26 |    |    |    |    |    |    |
| SALEABLE | NOT APPLICABLE | 34566-6743     | 9                 | C                | BLUE               |   |    |    |    | 68 | 67 |    | 65 | 64 | 63 |    | 61 | 60 |    | 57 |    |    |    |    |    |    |    |
|          |                |                |                   |                  |                    | 52  | 51 | 50 |    | 48 |    | 46 | 45 |    | 43 |    | 41 |    |    | 37 |    |    |    |    |    | 34 | 33 |
|          |                |                |                   |                  |                    | 73  |    |    |    |    |    |    |    | 28 | 27 |    | 25 |    |    |    |    |    |    |    |    |    |    |
| SALEABLE | NOT APPLICABLE | 34566-6753     | 9                 | A                | BLACK              | 72  | 71 | 70 | 69 | 68 |    |    | 66 | 65 | 64 |    |    | 61 | 60 |    | 57 | 56 |    | 54 | 53 |    |    |
|          |                |                |                   |                  |                    | 52  | 51 | 50 | 49 | 48 |    | 46 | 45 | 44 | 43 | 42 |    | 40 | 39 | 38 | 37 | 36 |    |    |    | 34 | 33 |
|          |                |                |                   |                  |                    | 73  |    |    |    |    |    | 31 | 30 | 29 | 28 |    |    |    |    |    | 23 | 22 | 21 | 20 |    |    |    |



MX123 52/66/73/80-WAY RECEPTACLE ASSY SEALED PIN OUT SHEET

| STATUS   | GM PART #      | HRNS CONN ASSY |                   |                  | TPA                | GROMMET CAP                                 |    |    |    |    |    |    |    |    |    |    |    |    |    |    |    |    |    |    |    |    |    |    |
|----------|----------------|----------------|-------------------|------------------|--------------------|---|----|----|----|----|----|----|----|----|----|----|----|----|----|----|----|----|----|----|----|----|----|----|
|          |                | MATERIAL/PART  | WIRE DRESS OPTION | KEY OPTION<br>Fp | COLOR OPTION<br>Fp | NUMBERS INDICATE CAVITIES OPEN FOR CIRCUITS |    |    |    |    |    |    |    |    |    |    |    |    |    |    |    |    |    |    |    |    |    |    |
|          |                | NUMBER         |                   |                  |                    | Fp  |    |    |    |    |    |    |    |    |    |    |    |    |    |    |    |    |    |    |    |    |    |    |
| SALEABLE | NOT APPLICABLE | 34566-6933     | 9                 | B                | ST GRAY            | 72  |    |    |    | 68 | 67 |    |    |    | 63 | 62 | 61 | 60 | 59 |    |    |    | 55 |    | 53 |    |    |    |
|          |                |                |                   |                  |                    | 52  |    |    |    | 48 | 47 | 46 |    | 44 | 43 |    | 41 | 40 |    |    |    | 38 | 37 | 36 | 35 |    |    |    |
|          |                |                |                   |                  |                    | 73  |    |    |    |    |    | 30 |    |    | 27 |    |    |    |    |    |    | 22 | 21 | 20 | 19 | 18 | 17 |    |
| SALEABLE | NOT APPLICABLE | 34566-6943     | 9                 | A                | BLACK              | 72  | 71 | 70 | 69 | 68 |    | 66 | 65 | 64 | 63 |    | 61 | 60 |    |    |    | 57 | 56 |    | 54 | 53 |    |    |
|          |                |                |                   |                  |                    | 52  | 51 | 50 | 49 | 48 |    | 46 | 45 | 44 | 43 | 42 | 41 | 40 | 39 | 38 | 37 | 36 |    |    |    | 34 | 33 |    |
|          |                |                |                   |                  |                    | 73  |    |    |    | 32 | 31 | 30 | 29 | 28 |    |    |    |    |    |    | 23 | 22 | 21 |    |    |    |    |    |
| SALEABLE | NOT APPLICABLE | 34566-6953     | 0                 | A                | BLACK              | 72  | 71 | 70 | 69 |    |    | 66 | 65 | 64 | 63 |    | 61 | 60 |    |    |    | 57 | 56 |    | 54 | 53 |    |    |
|          |                |                |                   |                  |                    | 52  | 51 | 50 | 49 |    |    | 46 | 45 | 44 | 43 |    |    | 40 | 39 | 38 | 37 | 36 |    |    |    | 34 | 33 |    |
|          |                |                |                   |                  |                    | 73  |    |    |    | 32 | 31 | 30 | 29 | 28 |    |    | 26 | 25 |    | 23 | 22 | 21 | 20 |    |    |    |    | 2  |
| SALEABLE | NOT APPLICABLE | 34566-6963     | 0                 | B                | ST GRAY            | 72  |    | 70 |    | 68 | 67 |    |    |    |    | 62 | 61 |    |    |    |    |    | 55 |    |    |    |    |    |
|          |                |                |                   |                  |                    | 52  |    |    |    | 48 | 47 | 46 |    |    | 43 |    |    | 40 |    |    |    |    |    |    |    | 20 | 19 | 18 |
|          |                |                |                   |                  |                    | 73  |    |    |    |    |    | 30 |    |    |    |    |    |    |    |    |    |    |    |    |    |    | 4  | 2  |
| SALEABLE | NOT APPLICABLE | 34566-6973     | 0                 | C                | BLUE               |   | 71 | 70 | 69 |    |    | 67 |    | 65 | 64 |    | 62 | 61 | 60 |    |    | 57 |    | 55 | 54 |    |    |    |
|          |                |                |                   |                  |                    | 52  | 51 | 50 | 49 | 48 | 47 | 46 | 45 | 44 |    | 42 | 41 |    |    |    |    |    | 37 |    |    | 35 | 34 | 33 |
|          |                |                |                   |                  |                    | 73  |    |    |    | 32 |    |    |    | 28 | 27 | 26 | 25 |    |    |    |    |    |    |    |    |    | 19 | 18 |
| SALEABLE | NOT APPLICABLE | 34566-6983     | 0                 | C                | BLUE               |   | 71 |    | 69 |    |    | 67 |    | 65 | 64 |    | 62 | 61 | 60 |    |    | 57 |    |    | 54 |    |    |    |
|          |                |                |                   |                  |                    | 52  | 51 | 50 |    | 48 | 47 | 46 | 45 | 44 |    | 42 |    |    |    |    |    |    | 37 |    |    |    | 34 | 33 |
|          |                |                |                   |                  |                    | 73  |    |    |    |    |    |    |    | 28 | 27 | 26 |    |    |    |    |    |    |    |    |    |    |    | 18 |
| SALEABLE | NOT APPLICABLE | 34566-6993     | 0                 | G                | BLUE               |   |    | 78 | 77 | 76 |    |    |    |    |    |    |    |    | 67 | 66 | 65 |    |    |    |    |    |    |    |
|          |                |                |                   |                  |                    | 40  | 39 | 38 | 37 | 36 | 35 | 34 | 33 | 32 |    |    | 29 | 28 |    |    |    |    | 25 |    |    |    | 21 |    |
|          |                |                |                   |                  |                    | 20  | 19 | 18 | 17 | 16 | 15 | 14 | 13 | 12 |    |    |    |    |    |    |    |    |    |    |    |    | 3  | 1  |
| SALEABLE | NOT APPLICABLE | 34566-7013     | 9                 | A                | BLACK              |   | 71 | 70 | 69 |    |    |    |    | 64 | 63 | 62 | 61 | 60 | 59 | 58 | 57 | 56 | 55 | 54 | 53 |    |    |    |
|          |                |                |                   |                  |                    | 52  | 51 | 50 | 49 |    |    |    | 45 | 44 | 43 | 42 | 41 |    | 39 |    | 37 | 36 |    |    |    | 34 |    |    |
|          |                |                |                   |                  |                    | 73  |    |    |    | 32 |    |    | 29 | 28 | 27 | 26 |    |    |    |    |    |    |    |    |    |    | 19 | 18 |
| SALEABLE | NOT APPLICABLE | 34566-7023     | 0                 | A                | BLACK              | 72  | 71 | 70 | 69 | 68 |    | 66 | 65 | 64 |    | 61 | 60 |    |    |    | 57 | 56 |    | 54 | 53 |    |    |    |
|          |                |                |                   |                  |                    | 52  | 51 | 50 | 49 | 48 |    | 46 | 45 | 44 | 43 |    |    | 40 | 39 | 38 | 37 | 36 |    |    |    | 34 | 33 |    |
|          |                |                |                   |                  |                    | 73  |    |    |    |    |    | 31 | 30 | 29 | 28 |    |    | 26 | 25 |    | 23 | 22 | 21 | 20 |    |    |    |    |
| SALEABLE | NOT APPLICABLE | 34566-7033     | 0                 | A                | BLACK              |   |    | 70 | 69 |    |    |    |    | 65 |    | 63 | 62 | 61 | 60 |    |    | 58 | 57 | 56 | 55 | 54 | 53 |    |
|          |                |                |                   |                  |                    | 52  | 51 |    | 49 |    |    |    |    | 44 | 43 | 42 | 41 |    |    |    |    |    | 37 | 36 |    |    | 34 |    |
|          |                |                |                   |                  |                    | 73  |    |    |    | 32 |    |    | 29 | 28 | 27 | 26 |    |    |    |    |    |    |    | 21 |    |    | 19 | 18 |
| SALEABLE | NOT APPLICABLE | 34566-7043     | 0                 | B                | ST GRAY            |   |    |    |    | 68 | 67 |    |    |    | 63 | 62 | 61 | 60 | 59 |    |    |    | 55 |    |    |    |    |    |
|          |                |                |                   |                  |                    | 52  |    |    |    |    |    | 46 |    |    | 43 |    | 41 | 40 |    |    |    |    |    |    |    |    |    |    |
|          |                |                |                   |                  |                    | 73  |    |    |    |    |    |    |    |    | 27 |    |    |    |    |    |    |    |    |    |    | 20 | 19 | 18 |
| SALEABLE | NOT APPLICABLE | 34566-7053     | 0                 | C                | BLUE               |   | 71 |    | 69 |    |    | 67 |    | 65 | 64 |    | 62 | 61 | 60 |    |    | 57 |    |    | 54 |    |    |    |
|          |                |                |                   |                  |                    | 52  | 51 | 50 | 49 | 48 | 47 | 46 | 45 | 44 |    | 42 | 41 |    |    |    |    |    | 37 |    |    |    | 34 | 33 |
|          |                |                |                   |                  |                    | 73  |    |    |    | 16 | 15 | 14 | 13 | 12 | 11 | 10 | 9  | 8  | 7  |    |    |    |    |    |    |    |    |    |
| SALEABLE | NOT APPLICABLE | 34566-7063     | 0                 | C                | BLUE               | 72  |    | 70 |    | 68 | 67 | 66 |    |    | 63 | 62 |    |    | 59 |    | 57 |    |    |    | 53 |    |    |    |
|          |                |                |                   |                  |                    | 52  | 51 |    |    | 48 | 47 | 46 |    | 44 |    |    |    | 40 | 39 |    |    |    |    |    |    |    | 34 | 33 |
|          |                |                |                   |                  |                    | 73  |    |    |    | 32 |    | 30 |    |    |    | 26 | 25 |    |    |    |    | 22 | 21 |    |    |    |    |    |
| SALEABLE | NOT APPLICABLE | 34566-7073     | 9                 | F                | NATURAL            |   |    |    | 69 | 68 |    |    |    |    |    |    |    |    |    |    | 58 | 57 |    |    |    |    |    |    |
|          |                |                |                   |                  |                    |   |    |    |    |    |    |    |    |    | 43 | 42 |    |    |    |    |    |    | 38 | 37 |    |    |    |    |
|          |                |                |                   |                  |                    | 73  |    |    |    |    |    |    | 30 |    |    |    |    |    |    |    |    |    |    |    |    |    | 19 | 18 |
| SALEABLE | NOT APPLICABLE | 34566-7083     | 9                 | B                | ST GRAY            |   |    |    |    |    |    |    |    |    |    |    |    |    |    |    |    |    |    |    |    |    |    |    |
|          |                |                |                   |                  |                    | 73  |    |    |    | 16 | 15 | 14 | 13 | 12 | 11 | 10 |    |    | 8  | 7  |    |    |    |    |    | 3  | 2  | 1  |



MX123 52/66/73/80-WAY RECEPTACLE ASSY SEALED PIN OUT SHEET

| STATUS   | GM PART #      | HRNS CONN ASSY |                   |                  | TPA                | GROMMET CAP                                 |    |    |    |    |    |    |    |    |    |    |    |    |    |    |    |    |    |    |    |    |    |    |
|----------|----------------|----------------|-------------------|------------------|--------------------|---|----|----|----|----|----|----|----|----|----|----|----|----|----|----|----|----|----|----|----|----|----|----|
|          |                | MATERIAL/PART  | WIRE DRESS OPTION | KEY OPTION<br>Fp | COLOR OPTION<br>Fp | NUMBERS INDICATE CAVITIES OPEN FOR CIRCUITS |    |    |    |    |    |    |    |    |    |    |    |    |    |    |    |    |    |    |    |    |    |    |
|          |                | NUMBER         |                   |                  |                    | Fp  |    |    |    |    |    |    |    |    |    |    |    |    |    |    |    |    |    |    |    |    |    |    |
| SALEABLE | TBD            | 34822-0083     | 9                 | A                | BLACK              | 63  | 62 | 61 | 60 | 59 |    |    |    |    |    | 54 | 53 |    | 51 |    | 49 | 66 |    |    |    |    |    |    |
|          |                |                |                   |                  |                    | 47  |    |    |    |    |    |    |    |    | 39 | 38 | 37 |    | 35 |    |    |    |    |    |    |    |    |    |
|          |                |                |                   |                  |                    | 65  |    |    |    |    |    |    |    | 28 |    |    | 25 |    |    | 22 | 21 | 20 | 19 | 18 | 17 |    |    |    |
| SALEABLE | NOT APPLICABLE | 34566-7253     | 0                 | B                | ST GRAY            | 72  |    |    |    |    |    |    |    |    |    | 62 | 61 |    |    |    |    |    |    |    |    |    |    |    |
|          |                |                |                   |                  |                    | 52  |    |    |    | 48 | 47 | 46 |    | 44 | 43 |    | 41 | 40 |    |    |    |    |    |    |    |    |    |    |
|          |                |                |                   |                  |                    | 73  |    |    |    |    |    |    |    |    |    |    |    |    |    |    |    | 20 | 19 | 18 |    |    |    |    |
| SALEABLE | NOT APPLICABLE | 34566-7263     | 0                 | C                | BLUE               |   |    |    | 69 |    | 67 | 66 |    | 64 |    | 62 |    | 60 |    |    | 57 |    |    |    | 54 |    |    |    |
|          |                |                |                   |                  |                    | 52  | 51 | 50 |    | 48 |    | 46 | 45 | 44 |    | 42 |    |    |    |    |    |    | 37 |    |    | 34 | 33 |    |
|          |                |                |                   |                  |                    | 73  |    |    |    |    |    |    |    | 28 | 27 | 26 |    |    |    |    |    |    |    |    |    |    | 18 |    |
| SALEABLE | NOT APPLICABLE | 34566-7273     | 0                 | C                | BLUE               |   |    |    | 69 |    | 67 | 66 |    | 64 |    | 62 |    | 60 |    |    | 57 |    |    | 55 | 54 |    |    |    |
|          |                |                |                   |                  |                    | 52  | 51 | 50 |    | 48 |    | 46 | 45 | 44 |    | 42 |    |    |    |    |    |    | 37 |    |    | 35 | 34 | 33 |
|          |                |                |                   |                  |                    | 73  |    |    |    |    |    |    |    | 28 | 27 | 26 |    |    |    |    |    |    |    |    |    |    | 19 | 18 |
| SALEABLE | NOT APPLICABLE | 34566-7283     | 0                 | C                | BLUE               |   |    |    | 69 |    | 67 | 66 |    | 64 |    | 62 |    | 60 |    |    | 57 |    |    | 55 | 54 |    |    |    |
|          |                |                |                   |                  |                    | 52  | 51 | 50 |    | 48 |    | 46 | 45 | 44 |    | 42 |    |    |    |    |    |    | 37 |    |    | 35 | 34 | 33 |
|          |                |                |                   |                  |                    | 73  |    |    |    |    |    |    |    | 28 | 27 | 26 |    |    |    |    |    |    |    |    |    |    | 19 | 18 |
| SALEABLE | NOT APPLICABLE | 34566-7293     | 9                 | A                | BLACK              |   |    |    | 69 |    | 67 | 66 |    | 64 |    | 62 |    | 60 |    |    | 57 |    |    | 55 | 54 |    |    |    |
|          |                |                |                   |                  |                    | 52  | 51 | 50 | 49 | 48 |    | 46 | 45 | 44 | 43 |    |    |    |    |    |    |    | 39 |    |    | 34 | 33 |    |
|          |                |                |                   |                  |                    | 73  |    |    |    |    |    |    |    | 32 | 31 | 30 | 29 | 28 | 27 | 26 | 25 | 24 | 23 |    |    |    |    |    |
| SALEABLE | NOT APPLICABLE | 34566-7313     | 0                 | B                | ST GRAY            |   |    |    | 69 |    | 67 | 66 |    | 64 |    | 62 |    | 60 |    |    | 57 |    |    | 55 | 54 |    |    |    |
|          |                |                |                   |                  |                    | 52  |    |    |    | 48 | 47 | 46 |    |    | 43 |    |    | 40 |    |    |    |    |    |    |    |    |    |    |
|          |                |                |                   |                  |                    | 73  |    |    |    |    |    |    |    |    |    |    |    |    |    |    |    |    |    | 22 | 21 | 20 | 19 | 18 |
| SALEABLE | NOT APPLICABLE | 34566-7333     | 9                 | B                | ST GRAY            | 72  | 71 | 70 | 69 | 68 | 67 | 66 | 65 | 64 | 63 | 62 | 61 | 60 | 59 |    |    | 57 | 56 | 55 |    |    | 53 |    |
|          |                |                |                   |                  |                    | 52  | 51 | 50 | 49 | 48 | 47 | 46 | 45 | 44 | 43 |    |    | 41 | 40 | 39 | 38 | 37 | 36 | 35 | 34 | 33 |    |    |
|          |                |                |                   |                  |                    | 73  |    |    |    |    |    |    |    | 32 | 31 | 30 | 29 | 28 |    | 26 |    | 24 | 23 | 22 | 21 | 20 | 19 | 18 |
| SALEABLE | NOT APPLICABLE | 34566-7343     | 9                 | B                | ST GRAY            |   |    |    | 69 |    | 67 | 66 |    | 64 |    | 62 |    | 60 |    |    | 57 |    |    | 55 | 54 |    |    |    |
|          |                |                |                   |                  |                    | 52  |    |    |    | 48 |    | 46 | 45 | 44 | 43 |    |    |    |    |    |    |    | 39 | 38 |    | 35 |    |    |
|          |                |                |                   |                  |                    | 73  |    |    |    |    |    |    |    | 32 |    | 30 | 29 | 28 | 27 |    |    |    | 23 | 22 |    |    | 19 |    |
| SALEABLE | NOT APPLICABLE | 34566-7353     | 9                 | C                | BLUE               |   |    |    | 69 |    | 67 | 66 |    | 64 |    | 62 |    | 60 |    |    | 57 |    |    | 55 | 54 |    |    |    |
|          |                |                |                   |                  |                    | 52  | 51 | 50 |    | 48 | 47 | 46 | 45 | 44 |    | 42 |    |    |    |    |    |    | 37 |    |    | 35 | 34 | 33 |
|          |                |                |                   |                  |                    | 73  |    |    |    |    |    |    |    | 32 |    |    |    | 28 | 27 | 26 |    |    |    |    |    |    | 19 | 18 |
| SALEABLE | NOT APPLICABLE | 34566-7363     | 0                 | B                | ST GRAY            |   |    |    | 69 |    | 67 | 66 |    | 64 |    | 62 |    | 60 |    |    | 57 |    |    | 55 | 54 |    |    |    |
|          |                |                |                   |                  |                    | 52  |    |    |    | 48 |    | 46 |    | 44 | 43 |    |    | 41 | 40 |    |    |    |    |    |    |    |    |    |
|          |                |                |                   |                  |                    | 73  |    |    |    |    |    |    |    |    |    |    |    |    |    |    |    |    |    |    |    | 20 | 19 | 18 |
| SALEABLE | NOT APPLICABLE | 34566-7373     | 0                 | A                | BLACK              | 72  | 71 | 70 | 69 | 68 |    | 66 | 65 | 64 |    |    | 61 | 60 |    |    | 57 | 56 |    | 54 | 53 |    |    |    |
|          |                |                |                   |                  |                    | 52  | 51 | 50 | 49 | 48 |    | 46 | 45 | 44 | 43 | 42 |    | 40 | 39 | 38 | 37 | 36 |    |    | 34 | 33 |    |    |
|          |                |                |                   |                  |                    | 73  |    |    |    |    |    |    |    | 31 | 30 | 29 | 28 |    | 26 | 25 |    | 23 | 22 | 21 | 20 |    |    |    |
| SALEABLE | NOT APPLICABLE | 34566-7383     | 0                 | C                | BLUE               |   | 71 | 70 |    |    | 67 | 66 | 65 | 64 |    |    | 61 | 60 |    |    | 57 |    |    | 54 |    |    |    |    |
|          |                |                |                   |                  |                    | 52  | 51 | 50 | 49 | 48 | 47 |    | 45 | 44 |    |    | 41 |    |    |    |    | 37 |    |    | 34 | 33 |    |    |
|          |                |                |                   |                  |                    | 73  |    |    |    |    |    |    |    | 32 |    |    | 28 | 27 |    | 25 |    |    |    |    |    |    |    |    |
| SALEABLE | NOT APPLICABLE | 34566-7393     | 0                 | B                | ST GRAY            |   |    |    | 69 |    | 67 | 66 |    | 64 |    | 62 |    | 60 |    |    | 57 |    |    | 55 | 54 |    |    |    |
|          |                |                |                   |                  |                    | 52  |    |    |    | 48 | 47 | 46 |    | 44 | 43 |    |    | 40 |    |    |    |    |    |    |    |    |    |    |
|          |                |                |                   |                  |                    | 73  |    |    |    |    |    |    |    |    |    |    |    |    |    |    |    |    |    |    |    | 20 | 19 | 18 |
| SALEABLE | NOT APPLICABLE | 34566-7413     | 0                 | A                | BLACK              | 72  | 71 | 70 | 69 | 68 |    | 66 | 65 | 64 | 63 |    | 61 | 60 |    |    | 57 | 56 |    | 54 | 53 |    |    |    |
|          |                |                |                   |                  |                    |   | 51 | 50 | 49 | 48 |    | 46 | 45 | 44 | 43 | 42 |    | 40 | 39 | 38 | 37 | 36 |    |    | 34 | 33 |    |    |
|          |                |                |                   |                  |                    | 73  |    |    |    |    |    |    |    | 32 | 31 | 30 | 29 | 28 |    | 26 | 25 |    | 23 | 22 | 21 | 20 |    |    |

MX123 52/66/73/80-WAY RECEPTACLE ASSY SEALED PIN OUT SHEET

| STATUS   | GM PART #      | HRNS CONN ASSY                          |                   |                  | TPA                | GROMMET CAP                                 |    |    |    |    |    |    |    |    |    |    |    |    |    |    |    |    |    |    |    |    |
|----------|----------------|---|-------------------|------------------|--------------------|---|----|----|----|----|----|----|----|----|----|----|----|----|----|----|----|----|----|----|----|----|
|          |                | MATERIAL/PART                           | WIRE DRESS OPTION | KEY OPTION<br>Fp | COLOR OPTION<br>Fp | NUMBERS INDICATE CAVITIES OPEN FOR CIRCUITS |    |    |    |    |    |    |    |    |    |    |    |    |    |    |    |    |    |    |    |    |
|          |                | NUMBER                                  |                   |                  |                    | Fp  |    |    |    |    |    |    |    |    |    |    |    |    |    |    |    |    |    |    |    |    |
| SALEABLE | NOT APPLICABLE | 34566-7423                              | 0                 | C                | BLUE               | 52  | 51 | 70 | 69 | 48 | 67 | 46 | 45 | 64 | 61 | 60 | 57 | 54 | 34 | 33 |    |    |    |    |    |    |
|          |                |   |                   |                  |                    | 73  |    |    | 32 | 28 | 27 | 25 | 18 | 17 |    |    |    |    |    |    |    |    |    |    |    |    |
|          |                |   |                   |                  |                    | 16  | 15 | 14 | 13 | 12 | 11 | 10 | 9  | 8  | 7  |    |    |    |    |    |    |    |    |    |    |    |
| SALEABLE | NOT APPLICABLE | 34566-7433                              | 0                 | B                | ST GRAY            | 72  |    |    |    | 68 |    |    |    |    | 62 | 61 | 60 | 59 | 55 |    |    |    |    |    |    |    |
|          |                |   |                   |                  |                    | 52  |    |    |    | 48 | 47 | 46 |    | 44 | 43 |    | 41 | 40 |    | 38 | 37 | 36 | 35 |    |    |    |
|          |                |   |                   |                  |                    | 73  |    |    | 16 | 15 | 14 |    |    |    |    |    |    | 8  |    |    |    | 20 | 19 | 18 | 17 |    |
| SALEABLE | NOT APPLICABLE | 34566-7443                              | 0                 | A                | BLACK              | 72  | 71 | 70 | 69 | 68 |    | 66 | 65 | 64 | 63 |    | 60 |    | 57 | 56 | 54 |    |    |    |    |    |
|          |                |   |                   |                  |                    | 52  | 51 | 50 | 49 | 48 |    | 46 | 45 | 44 | 43 | 42 |    | 40 | 39 | 38 | 37 | 36 | 34 |    |    |    |
|          |                |   |                   |                  |                    | 73  |    |    |    | 31 | 30 | 29 | 28 |    | 26 | 25 |    | 23 | 22 | 21 | 20 |    |    |    |    |    |
| SALEABLE | NOT APPLICABLE | 34566-7453                              | 0                 | C                | BLUE               |   | 71 | 70 |    |    | 67 | 66 | 65 | 64 |    | 61 | 60 |    | 58 | 57 | 54 |    |    |    |    |    |
|          |                |   |                   |                  |                    | 52  | 51 | 50 | 49 | 48 | 47 |    | 45 | 44 |    | 41 |    |    | 38 | 37 |    | 34 | 33 |    |    |    |
|          |                |   |                   |                  |                    | 73  |    |    | 32 |    |    | 28 | 27 |    | 25 |    |    |    |    |    |    |    | 18 | 17 |    |    |
| SALEABLE | NOT APPLICABLE | 34566-7463                              | 0                 | B                | ST GRAY            |   |    |    |    | 68 |    |    |    |    | 62 | 61 |    |    |    | 55 |    |    |    |    |    |    |
|          |                |   |                   |                  |                    | 52  |    |    |    | 48 | 47 | 46 |    | 43 |    |    | 40 |    |    |    |    |    |    |    |    |    |
|          |                |   |                   |                  |                    | 73  |    |    |    |    | 30 |    |    |    |    |    |    | 8  |    | 6  |    | 4  |    | 2  |    |    |
| SALEABLE | NOT APPLICABLE | 34566-7473                              | 0                 | B                | ST GRAY            |   |    |    |    | 68 | 67 |    |    |    | 63 | 62 | 61 |    |    | 55 |    |    |    |    |    |    |
|          |                |   |                   |                  |                    | 52  |    |    |    | 48 | 47 | 46 |    | 43 |    |    | 40 |    |    |    |    |    |    |    |    |    |
|          |                |   |                   |                  |                    | 73  |    |    |    |    | 30 |    |    | 27 |    |    |    | 22 | 21 | 20 | 19 | 18 |    |    |    |    |
| SALEABLE | NOT APPLICABLE | 34566-7483                              | 0                 | B                | ST GRAY            |   |    |    |    | 68 |    |    |    |    | 62 | 61 |    |    |    | 55 |    |    |    |    |    |    |
|          |                |   |                   |                  |                    | 52  |    |    |    | 48 | 47 | 46 |    | 43 |    |    | 40 |    |    |    |    |    |    |    |    |    |
|          |                |   |                   |                  |                    | 73  |    |    | 16 | 15 | 14 |    |    |    |    |    | 8  |    | 6  |    | 4  |    | 2  |    |    |    |
| SALEABLE | NOT APPLICABLE | 34566-7493                              | 0                 | C                | BLUE               |   |    |    | 69 |    | 67 |    |    | 64 |    | 62 |    | 60 |    | 57 | 55 | 54 |    |    |    |    |
|          |                |   |                   |                  |                    | 52  | 51 | 50 |    | 48 | 47 | 46 | 45 | 44 |    | 42 |    |    |    |    | 37 |    | 35 | 34 | 33 |    |
|          |                |   |                   |                  |                    | 73  |    |    | 32 |    |    | 28 | 27 | 26 |    |    |    |    |    |    |    |    | 19 | 18 | 17 |    |
| SALEABLE | NOT APPLICABLE | 34566-7513                              | 9                 | A                | BLACK              | 72  | 71 | 70 | 69 | 68 |    | 66 | 65 | 64 | 63 |    | 61 | 60 |    | 57 | 56 | 54 | 53 |    |    |    |
|          |                |   |                   |                  |                    | 52  | 51 | 50 | 49 | 48 |    | 46 | 45 | 44 | 43 |    | 40 | 39 | 38 | 37 | 36 |    | 34 | 33 |    |    |
|          |                |   |                   |                  |                    | 73  |    |    | 32 | 31 | 30 | 29 | 28 |    |    |    |    | 7  | 6  | 5  | 4  |    | 2  |    |    |    |
| SALEABLE | NOT APPLICABLE | 34566-7523                              | 0                 | A                | BLACK              | 72  |    |    |    |    |    |    |    | 64 |    | 62 | 61 |    | 59 | 58 | 57 | 56 | 55 | 54 |    |    |
|          |                |   |                   |                  |                    | 52  | 51 |    |    | 48 | 47 | 46 | 45 |    | 43 |    | 41 | 40 |    |    | 37 |    |    |    |    | 33 |
|          |                |   |                   |                  |                    | 73  |    |    | 32 |    | 30 | 29 |    | 27 | 26 | 25 | 24 |    |    |    |    | 20 |    |    |    |    |
| SALEABLE | NOT APPLICABLE | 34566-7533                              | 0                 | G                | BLUE               | 80  | 79 | 78 |    |    |    |    |    |    | 71 | 70 |    |    | 67 |    |    |    |    |    |    |    |
|          |                |   |                   |                  |                    | 60  | 59 | 58 | 57 |    |    | 54 |    |    | 51 | 50 | 49 | 48 | 47 |    | 45 | 44 |    | 42 | 41 |    |
|          |                |   |                   |                  |                    | 40  | 39 |    | 37 | 36 |    | 34 | 33 | 32 |    | 30 | 29 | 28 | 27 |    | 25 | 24 | 23 | 22 | 21 |    |
| SALEABLE | NOT APPLICABLE | 34566-7543<br>SAME AS P/N<br>34566-1553 | 0                 | A                | BLACK              | 20  | 19 | 18 |    |    |    |    |    | 13 | 12 | 11 |    | 9  | 8  |    | 5  |    | 3  | 2  | 1  |    |
|          |                |   |                   |                  |                    | 73  |    |    |    |    |    |    |    |    |    |    |    |    |    |    |    |    |    |    |    |    |
|          |                |   |                   |                  |                    |   |    |    |    |    |    |    |    |    |    |    |    |    |    |    |    |    |    |    |    |    |
| SALEABLE | NOT APPLICABLE | 34566-7553<br>SAME AS P/N<br>34566-1983 | 0                 | B                | ST GRAY            | 73  |    |    |    |    |    |    |    |    |    |    |    |    |    |    |    |    |    |    |    |    |
|          |                |   |                   |                  |                    |   |    |    |    |    |    |    |    |    |    |    |    |    |    |    |    |    |    |    |    |    |
|          |                |   |                   |                  |                    |   |    |    |    |    |    |    |    |    |    |    |    |    |    |    |    |    |    |    |    |    |
| SALEABLE | NOT APPLICABLE | 34566-7563<br>SAME AS P/N<br>34566-1993 | 0                 | C                | BLUE               | 73  |    |    |    |    |    |    |    |    |    |    |    |    |    |    |    |    |    |    |    |    |
|          |                |   |                   |                  |                    |   |    |    |    |    |    |    |    |    |    |    |    |    |    |    |    |    |    |    |    |    |
|          |                |   |                   |                  |                    |   |    |    |    |    |    |    |    |    |    |    |    |    |    |    |    |    |    |    |    |    |
| SALEABLE | NOT APPLICABLE | 34566-7573                              | 0                 | B                | ST GRAY            | 72  |    | 70 |    | 68 |    |    |    |    | 62 | 61 |    |    |    | 55 |    |    |    |    |    |    |
|          |                |   |                   |                  |                    | 52  |    |    |    | 48 | 47 | 46 |    | 43 |    |    | 40 |    |    |    |    |    |    |    |    |    |
|          |                |   |                   |                  |                    | 73  |    |    |    |    | 30 |    |    |    |    |    |    | 8  |    | 6  |    | 4  |    | 2  |    |    |





MX123 52/66/73/80-WAY RECEPTACLE ASSY SEALED PIN OUT SHEET

| STATUS   | GM PART #      | HRNS CONN ASSY |                   |                  | TPA                | GROMMET CAP                                 |    |    |    |    |    |    |    |    |    |    |    |    |    |    |    |    |    |    |    |    |
|----------|----------------|----------------|-------------------|------------------|--------------------|---|----|----|----|----|----|----|----|----|----|----|----|----|----|----|----|----|----|----|----|----|
|          |                | MATERIAL/PART  | WIRE DRESS OPTION | KEY OPTION<br>Fp | COLOR OPTION<br>Fp | NUMBERS INDICATE CAVITIES OPEN FOR CIRCUITS |    |    |    |    |    |    |    |    |    |    |    |    |    |    |    |    |    |    |    |    |
|          |                | NUMBER         |                   |                  |                    | Fp  |    |    |    |    |    |    |    |    |    |    |    |    |    |    |    |    |    |    |    |    |
| SALEABLE | NOT APPLICABLE | 34566-7683     | 9                 | B                | ST GRN             | 72  | 71 | 70 | 69 | 68 | 67 | 66 | 65 | 64 | 63 | 62 | 61 | 60 | 59 |    | 57 | 56 | 55 |    |    |    |
|          |                |                |                   |                  |                    | 52  | 51 | 50 | 49 | 48 | 47 | 46 | 45 | 44 | 43 |    | 26 | 25 | 24 | 23 | 22 | 21 | 20 | 19 | 18 | 17 |
|          |                |                |                   |                  |                    | 73  |    |    |    | 32 | 31 | 30 | 29 | 28 |    | 11 |    | 9  | 8  | 7  | 6  | 5  | 4  | 3  | 2  | 1  |
| SALEABLE | NOT APPLICABLE | 34566-7693     | 9                 | A                | BLACK              | 72  |    |    |    |    |    |    | 64 |    | 62 | 61 |    |    | 57 | 56 | 55 | 54 |    |    |    |    |
|          |                |                |                   |                  |                    | 52  | 51 |    |    |    |    | 46 | 45 |    | 43 |    | 40 |    |    | 37 |    | 35 | 34 |    |    |    |
|          |                |                |                   |                  |                    | 73  |    |    |    | 32 | 31 | 30 | 29 |    | 27 |    | 25 |    |    |    | 20 |    |    |    |    |    |
| SALEABLE | NOT APPLICABLE | 34566-7713     | 9                 | A                | BLACK              | 72  |    |    |    |    |    |    | 64 |    | 62 | 61 |    |    | 58 | 57 | 56 | 55 | 54 |    |    |    |
|          |                |                |                   |                  |                    | 52  | 51 |    |    | 48 |    | 46 | 45 |    | 43 |    | 41 | 40 |    | 37 |    | 35 | 34 |    |    |    |
|          |                |                |                   |                  |                    | 73  |    |    |    | 32 |    | 30 | 29 |    | 27 |    | 25 |    |    | 20 |    |    |    |    |    |    |
| SALEABLE | NOT APPLICABLE | 34566-7723     | 9                 | A                | BLACK              | 72  |    |    |    |    |    |    | 64 |    | 62 | 61 |    |    | 57 | 56 | 55 | 54 | 53 |    |    |    |
|          |                |                |                   |                  |                    | 52  | 51 |    |    | 48 |    | 46 | 45 |    | 43 |    | 41 | 40 |    | 37 |    | 35 | 34 |    |    |    |
|          |                |                |                   |                  |                    | 73  |    |    |    | 32 |    | 30 | 29 |    | 27 |    | 25 |    |    | 20 |    |    |    |    |    |    |
| SALEABLE | NOT APPLICABLE | 34566-7733     | 9                 | A                | BLACK              | 72  |    |    |    |    |    |    | 64 |    | 62 | 61 |    |    | 57 | 56 | 55 | 54 | 53 |    |    |    |
|          |                |                |                   |                  |                    | 52  | 51 |    |    | 48 |    | 46 | 45 |    | 43 |    | 41 | 40 |    | 37 |    | 35 | 34 |    |    |    |
|          |                |                |                   |                  |                    | 73  |    |    |    | 32 |    | 30 | 29 |    | 27 |    | 25 |    |    | 20 |    |    |    |    |    |    |
| SALEABLE | NOT APPLICABLE | 34566-7743     | 0                 | C                | BLUE               | 72  |    | 70 |    | 68 | 67 | 66 |    | 64 | 63 | 62 | 61 | 60 | 59 | 57 | 56 | 55 | 54 | 53 |    |    |
|          |                |                |                   |                  |                    | 52  | 51 |    | 49 | 48 | 47 | 46 |    | 44 |    | 41 | 40 | 39 |    | 37 | 36 | 35 | 34 | 33 |    |    |
|          |                |                |                   |                  |                    | 73  |    |    |    | 32 |    | 30 |    |    | 27 | 26 | 25 | 24 |    | 22 | 21 | 20 |    |    |    |    |
| SALEABLE | NOT APPLICABLE | 34566-7753     | 0                 | A                | BLACK              |   | 71 | 70 | 69 | 68 | 67 |    | 64 | 63 | 62 | 61 | 60 | 59 | 58 | 57 | 56 | 55 | 54 | 53 |    |    |
|          |                |                |                   |                  |                    | 52  | 51 | 50 | 49 |    |    | 45 | 44 | 43 | 42 | 41 |    | 39 | 38 | 37 | 36 |    | 34 |    |    |    |
|          |                |                |                   |                  |                    | 73  |    |    |    | 32 | 31 |    | 29 | 28 | 27 | 26 | 25 |    |    |    | 19 | 18 |    |    |    |    |
| SALEABLE | NOT APPLICABLE | 34566-7763     | 0                 | F                | NATURAL            |   |    |    |    |    |    |    |    |    |    |    |    |    |    |    |    |    |    |    |    |    |
|          |                |                |                   |                  |                    | 73  |    |    |    |    |    |    |    |    |    |    |    |    |    |    |    |    |    |    |    |    |
|          |                |                |                   |                  |                    |   |    |    |    |    |    |    |    |    |    |    |    |    |    |    |    |    |    |    |    |    |
| SALEABLE | NOT APPLICABLE | 34566-7773     | 0                 | B                | ST GRN             | 72  |    | 70 |    |    | 67 |    |    | 63 | 62 | 61 | 60 | 59 |    |    |    |    |    |    |    |    |
|          |                |                |                   |                  |                    | 52  |    |    |    |    | 46 |    |    | 43 |    | 41 | 40 |    |    |    |    |    |    |    |    |    |
|          |                |                |                   |                  |                    | 73  |    |    |    |    |    |    |    |    | 27 |    |    |    | 22 | 21 | 20 | 19 | 18 |    |    |    |
| SALEABLE | TBD            | 34822-0153     | 9                 | A                | BLACK              |   | 63 | 62 | 61 | 60 | 59 |    |    |    | 54 | 53 |    | 51 |    | 49 | 66 |    |    |    |    |    |
|          |                |                |                   |                  |                    |   | 47 |    |    |    |    |    |    |    | 38 | 37 |    | 35 |    | 33 |    |    |    |    |    |    |
|          |                |                |                   |                  |                    | 65  |    |    |    |    |    |    |    | 28 |    |    | 25 |    | 22 | 21 | 20 | 19 | 18 | 17 |    |    |
| SALEABLE | NOT APPLICABLE | 34566-7783     | 0                 | A                | BLACK              | 72  | 71 | 70 | 69 | 68 |    | 66 | 65 | 64 | 63 |    | 60 | 59 |    | 57 | 56 |    | 54 |    |    |    |
|          |                |                |                   |                  |                    | 52  | 51 | 50 | 49 | 48 |    | 46 | 45 | 44 | 43 | 42 | 41 | 40 | 39 | 38 | 37 | 36 |    | 34 |    |    |
|          |                |                |                   |                  |                    | 73  |    |    |    | 32 | 31 | 30 | 29 | 28 |    | 26 | 25 |    | 23 | 22 | 21 |    |    | 2  | 1  |    |
| SALEABLE | NOT APPLICABLE | 34566-7793     | 0                 | A                | BLACK              | 72  |    | 70 |    |    | 67 | 66 | 65 |    | 63 |    | 60 | 59 | 58 | 57 | 56 | 55 |    |    |    |    |
|          |                |                |                   |                  |                    | 52  | 51 |    | 49 | 48 | 47 | 46 | 45 |    | 43 | 42 |    | 40 | 39 | 38 | 37 | 36 | 35 |    |    |    |
|          |                |                |                   |                  |                    | 73  |    |    |    |    |    |    |    | 28 | 27 |    |    | 23 | 22 | 21 |    |    | 18 | 17 |    |    |
| SALEABLE | NOT APPLICABLE | 34566-7813     | 0                 | A                | BLACK              |   |    | 70 | 69 | 68 | 67 |    |    | 63 | 62 | 61 | 60 | 59 | 58 | 57 | 56 | 55 | 54 | 53 |    |    |
|          |                |                |                   |                  |                    | 52  | 51 | 50 | 49 |    |    |    |    | 44 | 43 | 42 | 41 | 40 | 39 | 38 | 37 | 36 |    | 34 |    |    |
|          |                |                |                   |                  |                    | 73  |    |    |    | 32 |    |    | 29 | 28 | 27 | 26 | 25 |    |    | 21 |    | 19 | 18 |    |    |    |
| SALEABLE | NOT APPLICABLE | 34566-7823     | 0                 | B                | ST GRN             |   |    |    |    | 68 | 67 |    |    | 63 | 62 | 61 | 60 | 59 |    |    |    |    |    |    |    |    |
|          |                |                |                   |                  |                    | 52  |    |    |    | 48 | 47 | 46 |    | 44 | 43 |    | 41 | 40 |    | 38 | 37 | 36 | 35 |    |    |    |
|          |                |                |                   |                  |                    | 73  |    |    |    |    |    | 30 |    |    | 27 |    |    |    |    | 20 | 19 | 18 |    |    |    |    |
| SALEABLE | NOT APPLICABLE | 34566-7833     | 0                 | B                | ST GRN             | 72  | 71 | 70 | 69 | 68 | 67 | 66 | 65 | 64 | 63 |    | 61 | 60 | 59 |    | 57 | 56 | 55 |    |    |    |
|          |                |                |                   |                  |                    | 52  | 51 | 50 | 49 | 48 | 47 | 46 | 45 | 44 | 43 |    | 41 | 40 | 39 | 38 | 37 | 36 | 35 | 34 | 33 |    |
|          |                |                |                   |                  |                    | 73  |    |    |    | 32 | 31 | 30 | 29 | 28 |    | 26 | 25 | 24 | 23 | 22 | 21 | 20 | 19 | 18 | 17 |    |

MX123 52/66/73/80-WAY RECEPTACLE ASSY SEALED PIN OUT SHEET

| STATUS   | GM PART #      | HRNS CONN ASSY |                   |                  | TPA                | GROMMET CAP                                 |    |    |    |    |    |    |    |    |    |    |    |    |    |    |    |    |    |    |    |
|----------|----------------|----------------|-------------------|------------------|--------------------|---|----|----|----|----|----|----|----|----|----|----|----|----|----|----|----|----|----|----|----|
|          |                | MATERIAL/PART  | WIRE DRESS OPTION | KEY OPTION<br>Fp | COLOR OPTION<br>Fp | NUMBERS INDICATE CAVITIES OPEN FOR CIRCUITS |    |    |    |    |    |    |    |    |    |    |    |    |    |    |    |    |    |    |    |
|          |                | NUMBER         |                   |                  |                    | Fp  |    |    |    |    |    |    |    |    |    |    |    |    |    |    |    |    |    |    |    |
| SALEABLE | NOT APPLICABLE | 34566-7843     | 9                 | C                | BLUE               | 52  | 71 | 50 | 49 | 48 | 67 | 47 | 65 | 64 | 45 | 44 | 62 | 61 | 60 | 58 | 57 | 54 | 33 |    |    |
|          |                |                |                   |                  |                    | 73  |    |    |    | 16 | 15 | 14 | 13 | 12 | 11 | 10 | 9  | 38 | 37 | 34 | 33 |    |    |    |    |
|          |                |                |                   |                  |                    | 72  | 71 | 70 | 69 | 68 | 67 | 66 | 64 | 63 | 62 | 61 | 60 | 59 | 57 | 54 | 53 |    |    |    |    |
| SALEABLE | NOT APPLICABLE | 34566-7853     | 9                 | C                | BLUE               | 52  | 51 | 50 | 49 | 48 | 47 | 46 | 44 | 39 | 38 | 37 | 36 | 35 | 34 | 33 |    |    |    |    |    |
|          |                |                |                   |                  |                    | 73  |    |    |    | 16 | 15 | 14 | 13 | 12 | 11 | 10 | 9  | 8  | 7  | 6  | 5  | 17 |    |    |    |
|          |                |                |                   |                  |                    | 72  | 71 | 70 | 69 | 68 | 67 | 66 | 64 | 63 | 62 | 61 | 60 | 59 | 57 | 54 | 53 |    |    |    |    |
| SALEABLE | NOT APPLICABLE | 34566-7863     | 9                 | C                | BLUE               | 52  | 51 | 50 | 49 | 48 | 47 | 46 | 44 | 40 | 39 | 37 | 36 | 35 | 34 | 33 |    |    |    |    |    |
|          |                |                |                   |                  |                    | 73  |    |    |    | 32 | 31 | 30 | 29 | 28 | 27 | 26 | 25 | 24 | 22 | 21 | 20 | 19 | 18 | 17 |    |
|          |                |                |                   |                  |                    | 72  | 71 | 70 | 69 | 68 | 67 | 66 | 64 | 63 | 62 | 61 | 60 | 59 | 57 | 54 | 53 |    |    |    |    |
| SALEABLE | NOT APPLICABLE | 34566-7873     | 9                 | A                | BLACK              | 71  | 70 | 69 | 68 | 67 | 66 | 65 | 64 | 63 | 62 | 61 | 60 | 58 | 57 | 56 | 55 | 54 |    |    |    |
|          |                |                |                   |                  |                    | 73  |    |    |    | 31 | 30 | 29 | 28 | 27 | 26 | 25 | 24 | 23 | 22 | 21 | 20 | 19 | 18 | 17 |    |
|          |                |                |                   |                  |                    | 52  | 51 | 50 | 49 | 48 | 47 | 46 | 44 | 43 | 42 | 41 | 40 | 39 | 38 | 37 | 36 | 35 | 34 | 33 |    |
| SALEABLE | NOT APPLICABLE | 34566-7883     | 9                 | A                | BLACK              | 72  | 71 | 70 | 69 | 68 | 67 | 66 | 65 | 64 | 63 | 62 | 61 | 60 | 58 | 57 | 56 | 55 | 54 |    |    |
|          |                |                |                   |                  |                    | 73  |    |    |    | 31 | 30 | 29 | 28 | 27 | 26 | 25 | 24 | 23 | 22 | 21 | 20 | 19 | 18 | 17 |    |
|          |                |                |                   |                  |                    | 52  | 51 | 50 | 49 | 48 | 47 | 46 | 44 | 43 | 42 | 41 | 40 | 39 | 38 | 37 | 36 | 35 | 34 | 33 |    |
| SALEABLE | NOT APPLICABLE | 34566-7893     | 9                 | A                | BLACK              | 72  | 71 | 70 | 69 | 68 | 67 | 66 | 65 | 64 | 63 | 62 | 61 | 60 | 58 | 57 | 56 | 55 | 54 |    |    |
|          |                |                |                   |                  |                    | 73  |    |    |    | 32 | 31 | 30 | 29 | 28 | 27 | 26 | 25 | 24 | 23 | 22 | 21 | 20 | 19 | 18 | 17 |
|          |                |                |                   |                  |                    | 52  | 51 | 50 | 49 | 48 | 47 | 46 | 44 | 43 | 42 | 41 | 40 | 39 | 38 | 37 | 36 | 35 | 34 | 33 |    |
| SALEABLE | TBD            | 34822-0163     | 0                 | A                | BLACK              | 64  | 63 | 62 | 61 | 60 | 59 | 58 | 57 | 56 | 55 | 54 | 53 | 52 | 51 | 50 | 49 | 48 |    |    |    |
|          |                |                |                   |                  |                    | 65  |    |    |    | 15 | 14 | 13 | 12 | 11 | 10 | 9  | 8  | 7  | 6  | 5  | 4  | 3  | 2  | 1  |    |
|          |                |                |                   |                  |                    | 80  | 79 | 78 | 77 | 76 | 75 | 74 | 73 | 72 | 71 | 70 | 69 | 68 | 67 | 66 | 65 | 64 | 63 | 62 | 61 |
| SALEABLE | NOT APPLICABLE | 34566-7913     | 9                 | G                | BLUE               | 60  | 59 | 58 | 57 | 56 | 55 | 54 | 53 | 52 | 51 | 50 | 49 | 48 | 47 | 46 | 45 | 44 | 43 |    |    |
|          |                |                |                   |                  |                    | 73  |    |    |    | 36 | 35 | 34 | 33 | 32 | 31 | 30 | 29 | 28 | 27 | 26 | 25 | 24 | 23 | 22 | 21 |
|          |                |                |                   |                  |                    | 40  | 39 | 38 | 37 | 36 | 35 | 34 | 33 | 32 | 31 | 30 | 29 | 28 | 27 | 26 | 25 | 24 | 23 | 22 | 21 |
| SALEABLE | NOT APPLICABLE | 34566-7923     | 0                 | C                | BLUE               | 72  | 71 | 70 | 69 | 68 | 67 | 66 | 64 | 63 | 62 | 61 | 60 | 58 | 57 | 56 | 55 | 54 | 53 |    |    |
|          |                |                |                   |                  |                    | 73  |    |    |    | 32 | 31 | 30 | 29 | 28 | 27 | 26 | 25 | 24 | 23 | 22 | 21 | 20 | 19 | 18 | 17 |
|          |                |                |                   |                  |                    | 52  | 51 | 50 | 49 | 48 | 47 | 46 | 44 | 43 | 42 | 41 | 40 | 39 | 38 | 37 | 36 | 35 | 34 | 33 |    |
| SALEABLE | NOT APPLICABLE | 34566-7933     | 0                 | A                | BLACK              | 72  | 71 | 70 | 69 | 68 | 67 | 66 | 65 | 64 | 63 | 62 | 61 | 60 | 58 | 57 | 56 | 55 | 54 |    |    |
|          |                |                |                   |                  |                    | 73  |    |    |    | 32 | 31 | 30 | 29 | 28 | 27 | 26 | 25 | 24 | 23 | 22 | 21 | 20 | 19 | 18 | 17 |
|          |                |                |                   |                  |                    | 52  | 51 | 50 | 49 | 48 | 47 | 46 | 44 | 43 | 42 | 41 | 40 | 39 | 38 | 37 | 36 | 35 | 34 | 33 |    |
| SALEABLE | NOT APPLICABLE | 34566-7943     | 0                 | B                | ST GRAY            | 72  | 71 | 70 | 69 | 68 | 67 | 66 | 64 | 63 | 62 | 61 | 60 | 58 | 57 | 56 | 55 | 54 | 53 |    |    |
|          |                |                |                   |                  |                    | 73  |    |    |    | 31 | 30 | 29 | 28 | 27 | 26 | 25 | 24 | 23 | 22 | 21 | 20 | 19 | 18 | 17 |    |
|          |                |                |                   |                  |                    | 52  | 51 | 50 | 49 | 48 | 47 | 46 | 44 | 43 | 42 | 41 | 40 | 39 | 38 | 37 | 36 | 35 | 34 | 33 |    |
| SALEABLE | NOT APPLICABLE | 34566-7953     | 0                 | B                | ST GRAY            | 72  | 71 | 70 | 69 | 68 | 67 | 66 | 64 | 63 | 62 | 61 | 60 | 58 | 57 | 56 | 55 | 54 | 53 |    |    |
|          |                |                |                   |                  |                    | 73  |    |    |    | 31 | 30 | 29 | 28 | 27 | 26 | 25 | 24 | 23 | 22 | 21 | 20 | 19 | 18 | 17 |    |
|          |                |                |                   |                  |                    | 52  | 51 | 50 | 49 | 48 | 47 | 46 | 44 | 43 | 42 | 41 | 40 | 39 | 38 | 37 | 36 | 35 | 34 | 33 |    |
| SALEABLE | NOT APPLICABLE | 34566-7963     | 9                 | A                | BLACK              | 72  | 71 | 70 | 69 | 68 | 67 | 66 | 65 | 64 | 63 | 62 | 61 | 60 | 58 | 57 | 56 | 55 | 54 |    |    |
|          |                |                |                   |                  |                    | 73  |    |    |    | 32 | 31 | 30 | 29 | 28 | 27 | 26 | 25 | 24 | 23 | 22 | 21 | 20 | 19 | 18 | 17 |
|          |                |                |                   |                  |                    | 52  | 51 | 50 | 49 | 48 | 47 | 46 | 44 | 43 | 42 | 41 | 40 | 39 | 38 | 37 | 36 | 35 | 34 | 33 |    |
| SALEABLE | NOT APPLICABLE | 34566-7973     | 9                 | B                | ST GRAY            | 72  | 71 | 70 | 69 | 68 | 67 | 66 | 64 | 63 | 62 | 61 | 60 | 58 | 57 | 56 | 55 | 54 | 53 |    |    |
|          |                |                |                   |                  |                    | 73  |    |    |    | 31 | 30 | 29 | 28 | 27 | 26 | 25 | 24 | 23 | 22 | 21 | 20 | 19 | 18 | 17 |    |
|          |                |                |                   |                  |                    | 52  | 51 | 50 | 49 | 48 | 47 | 46 | 44 | 43 | 42 | 41 | 40 | 39 | 38 | 37 | 36 | 35 | 34 | 33 |    |
| SALEABLE | NOT APPLICABLE | 34566-7983     | 9                 | B                | ST GRAY            | 72  | 71 | 70 | 69 | 68 | 67 | 66 | 64 | 63 | 62 | 61 | 60 | 58 | 57 | 56 | 55 | 54 | 53 |    |    |
|          |                |                |                   |                  |                    | 73  |    |    |    | 31 | 30 | 29 | 28 | 27 | 26 | 25 | 24 | 23 | 22 | 21 | 20 | 19 | 18 | 17 |    |
|          |                |                |                   |                  |                    | 52  | 51 | 50 | 49 | 48 | 47 | 46 | 44 | 43 | 42 | 41 | 40 | 39 | 38 | 37 | 36 | 35 | 34 | 33 |    |

MX123 52/66/73/80-WAY RECEPTACLE ASSY SEALED PIN OUT SHEET

| STATUS   | GM PART #      | HRNS CONN ASSY |                   |                  | TPA                | GROMMET CAP                                 |    |    |    |    |    |    |    |    |    |    |    |    |    |    |    |    |    |    |    |    |    |    |    |    |    |    |    |    |    |    |    |    |    |    |    |    |    |    |    |    |    |    |    |    |    |    |    |    |    |    |    |    |    |    |    |    |    |    |    |    |    |    |    |    |    |    |    |    |    |    |   |   |   |   |   |   |   |   |   |
|----------|----------------|----------------|-------------------|------------------|--------------------|---|----|----|----|----|----|----|----|----|----|----|----|----|----|----|----|----|----|----|----|----|----|----|----|----|----|----|----|----|----|----|----|----|----|----|----|----|----|----|----|----|----|----|----|----|----|----|----|----|----|----|----|----|----|----|----|----|----|----|----|----|----|----|----|----|----|----|----|----|----|----|---|---|---|---|---|---|---|---|---|
|          |                | MATERIAL/PART  | WIRE DRESS OPTION | KEY OPTION<br>Fp | COLOR OPTION<br>Fp | NUMBERS INDICATE CAVITIES OPEN FOR CIRCUITS |    |    |    |    |    |    |    |    |    |    |    |    |    |    |    |    |    |    |    |    |    |    |    |    |    |    |    |    |    |    |    |    |    |    |    |    |    |    |    |    |    |    |    |    |    |    |    |    |    |    |    |    |    |    |    |    |    |    |    |    |    |    |    |    |    |    |    |    |    |    |   |   |   |   |   |   |   |   |   |
|          |                | NUMBER         |                   |                  |                    | Fp  |    |    |    |    |    |    |    |    |    |    |    |    |    |    |    |    |    |    |    |    |    |    |    |    |    |    |    |    |    |    |    |    |    |    |    |    |    |    |    |    |    |    |    |    |    |    |    |    |    |    |    |    |    |    |    |    |    |    |    |    |    |    |    |    |    |    |    |    |    |    |   |   |   |   |   |   |   |   |   |
| SALEABLE | NOT APPLICABLE | 34566-7993     | 9                 | C                | BLUE               | 70  | 69 | 67 | 66 | 64 | 61 | 60 | 57 | 54 | 52 | 51 | 50 | 49 | 48 | 47 | 46 | 45 | 44 | 41 | 40 | 37 | 34 | 33 |    |    |    |    |    |    |    |    |    |    |    |    |    |    |    |    |    |    |    |    |    |    |    |    |    |    |    |    |    |    |    |    |    |    |    |    |    |    |    |    |    |    |    |    |    |    |    |    |   |   |   |   |   |   |   |   |   |
|          |                |                |                   |                  |                    | 73  |    |    |    | 32 | 28 | 27 | 25 | 23 | 21 | 20 | 19 | 18 | 17 |    |    |    |    |    |    |    |    |    |    |    |    |    |    |    |    |    |    |    |    |    |    |    |    |    |    |    |    |    |    |    |    |    |    |    |    |    |    |    |    |    |    |    |    |    |    |    |    |    |    |    |    |    |    |    |    |    |   |   |   |   |   |   |   |   |   |
|          |                |                |                   |                  |                    | 16  | 15 | 14 | 13 | 12 | 11 | 10 | 9  | 8  | 7  | 6  | 5  | 4  | 3  | 2  | 1  |    |    |    |    |    |    |    |    |    |    |    |    |    |    |    |    |    |    |    |    |    |    |    |    |    |    |    |    |    |    |    |    |    |    |    |    |    |    |    |    |    |    |    |    |    |    |    |    |    |    |    |    |    |    |    |   |   |   |   |   |   |   |   |   |
| SALEABLE | NOT APPLICABLE | 34566-8013     | 9                 | C                | BLUE               | 71  | 70 | 67 | 65 | 64 | 61 | 60 | 59 | 57 | 54 | 52 | 51 | 50 | 48 | 47 | 45 | 44 | 41 | 39 | 37 | 34 | 33 |    |    |    |    |    |    |    |    |    |    |    |    |    |    |    |    |    |    |    |    |    |    |    |    |    |    |    |    |    |    |    |    |    |    |    |    |    |    |    |    |    |    |    |    |    |    |    |    |    |   |   |   |   |   |   |   |   |   |
|          |                |                |                   |                  |                    | 73  |    |    |    | 32 | 28 | 27 | 25 | 23 | 21 | 20 | 19 | 18 | 17 |    |    |    |    |    |    |    |    |    |    |    |    |    |    |    |    |    |    |    |    |    |    |    |    |    |    |    |    |    |    |    |    |    |    |    |    |    |    |    |    |    |    |    |    |    |    |    |    |    |    |    |    |    |    |    |    |    |   |   |   |   |   |   |   |   |   |
|          |                |                |                   |                  |                    | 16  | 15 | 14 | 13 | 12 | 11 | 10 | 9  | 8  | 7  | 6  | 5  | 4  | 3  | 2  | 1  |    |    |    |    |    |    |    |    |    |    |    |    |    |    |    |    |    |    |    |    |    |    |    |    |    |    |    |    |    |    |    |    |    |    |    |    |    |    |    |    |    |    |    |    |    |    |    |    |    |    |    |    |    |    |    |   |   |   |   |   |   |   |   |   |
| SALEABLE | TBD            | 34822-0173     | 9                 | A                | BLACK              | 64  | 63 | 58 | 57 | 56 | 55 | 54 | 52 | 50 | 66 | 48 | 46 | 45 | 44 | 43 | 42 | 41 | 40 | 36 | 34 | 33 |    |    |    |    |    |    |    |    |    |    |    |    |    |    |    |    |    |    |    |    |    |    |    |    |    |    |    |    |    |    |    |    |    |    |    |    |    |    |    |    |    |    |    |    |    |    |    |    |    |    |   |   |   |   |   |   |   |   |   |
|          |                |                |                   |                  |                    | 65  |    |    |    | 32 | 31 | 30 | 29 | 27 | 26 | 24 | 23 | 21 | 20 | 19 | 18 | 17 |    |    |    |    |    |    |    |    |    |    |    |    |    |    |    |    |    |    |    |    |    |    |    |    |    |    |    |    |    |    |    |    |    |    |    |    |    |    |    |    |    |    |    |    |    |    |    |    |    |    |    |    |    |    |   |   |   |   |   |   |   |   |   |
|          |                |                |                   |                  |                    | 16  | 15 | 14 | 13 | 12 | 11 | 10 | 9  | 8  | 7  | 6  | 5  | 4  | 3  | 2  | 1  |    |    |    |    |    |    |    |    |    |    |    |    |    |    |    |    |    |    |    |    |    |    |    |    |    |    |    |    |    |    |    |    |    |    |    |    |    |    |    |    |    |    |    |    |    |    |    |    |    |    |    |    |    |    |    |   |   |   |   |   |   |   |   |   |
| SALEABLE | NOT APPLICABLE | 34566-8023     | 9                 | C                | BLUE               | 72  | 71 | 69 | 68 | 67 | 66 | 65 | 64 | 63 | 62 | 59 | 58 | 57 | 56 | 55 | 54 | 53 | 52 | 51 | 50 | 49 | 48 | 47 | 46 | 45 | 44 | 43 | 42 | 41 | 40 | 39 | 38 | 37 | 36 | 35 | 34 | 33 |    |    |    |    |    |    |    |    |    |    |    |    |    |    |    |    |    |    |    |    |    |    |    |    |    |    |    |    |    |    |    |    |    |    |   |   |   |   |   |   |   |   |   |
|          |                |                |                   |                  |                    | 73  |    |    |    | 32 | 31 | 30 | 29 | 27 | 26 | 24 | 23 | 22 | 21 | 20 | 19 | 18 | 17 |    |    |    |    |    |    |    |    |    |    |    |    |    |    |    |    |    |    |    |    |    |    |    |    |    |    |    |    |    |    |    |    |    |    |    |    |    |    |    |    |    |    |    |    |    |    |    |    |    |    |    |    |    |   |   |   |   |   |   |   |   |   |
|          |                |                |                   |                  |                    | 16  | 15 | 14 | 13 | 12 | 11 | 10 | 9  | 8  | 7  | 6  | 5  | 4  | 3  | 2  | 1  |    |    |    |    |    |    |    |    |    |    |    |    |    |    |    |    |    |    |    |    |    |    |    |    |    |    |    |    |    |    |    |    |    |    |    |    |    |    |    |    |    |    |    |    |    |    |    |    |    |    |    |    |    |    |    |   |   |   |   |   |   |   |   |   |
| SALEABLE | NOT APPLICABLE | 34566-8033     | 9                 | B                | ST GRAY            | 71  | 70 | 67 | 66 | 65 | 64 | 63 | 62 | 59 | 58 | 57 | 56 | 55 | 54 | 53 | 52 | 51 | 50 | 49 | 48 | 47 | 46 | 45 | 44 | 43 | 42 | 41 | 40 | 39 | 38 | 37 | 36 | 35 | 34 | 33 |    |    |    |    |    |    |    |    |    |    |    |    |    |    |    |    |    |    |    |    |    |    |    |    |    |    |    |    |    |    |    |    |    |    |    |    |   |   |   |   |   |   |   |   |   |
|          |                |                |                   |                  |                    | 73  |    |    |    | 32 | 31 | 30 | 29 | 28 | 27 | 26 | 25 | 24 | 23 | 22 | 21 | 20 | 19 | 18 | 17 |    |    |    |    |    |    |    |    |    |    |    |    |    |    |    |    |    |    |    |    |    |    |    |    |    |    |    |    |    |    |    |    |    |    |    |    |    |    |    |    |    |    |    |    |    |    |    |    |    |    |    |   |   |   |   |   |   |   |   |   |
|          |                |                |                   |                  |                    | 16  | 15 | 14 | 13 | 12 | 11 | 10 | 9  | 8  | 7  | 6  | 5  | 4  | 3  | 2  | 1  |    |    |    |    |    |    |    |    |    |    |    |    |    |    |    |    |    |    |    |    |    |    |    |    |    |    |    |    |    |    |    |    |    |    |    |    |    |    |    |    |    |    |    |    |    |    |    |    |    |    |    |    |    |    |    |   |   |   |   |   |   |   |   |   |
| SALEABLE | NOT APPLICABLE | 34566-8043     | 9                 | A                | BLACK              | 67  | 66 | 65 | 64 | 63 | 62 | 61 | 59 | 58 | 55 | 53 | 73 | 72 | 71 | 70 | 69 | 68 | 67 | 66 | 65 | 64 | 63 | 62 | 61 | 60 | 59 | 58 | 57 | 56 | 55 | 54 | 53 | 52 | 51 | 50 | 49 | 48 | 47 | 46 | 45 | 44 | 43 | 42 | 41 | 40 | 39 | 38 | 37 | 36 | 35 | 34 | 33 |    |    |    |    |    |    |    |    |    |    |    |    |    |    |    |    |    |    |    |   |   |   |   |   |   |   |   |   |
|          |                |                |                   |                  |                    | 73  |    |    |    | 32 | 31 | 30 | 29 | 27 | 26 | 25 | 24 | 23 | 22 | 21 | 20 | 19 | 18 | 17 |    |    |    |    |    |    |    |    |    |    |    |    |    |    |    |    |    |    |    |    |    |    |    |    |    |    |    |    |    |    |    |    |    |    |    |    |    |    |    |    |    |    |    |    |    |    |    |    |    |    |    |    |   |   |   |   |   |   |   |   |   |
|          |                |                |                   |                  |                    | 16  | 15 | 14 | 13 | 12 | 11 | 10 | 9  | 8  | 7  | 6  | 5  | 4  | 3  | 2  | 1  |    |    |    |    |    |    |    |    |    |    |    |    |    |    |    |    |    |    |    |    |    |    |    |    |    |    |    |    |    |    |    |    |    |    |    |    |    |    |    |    |    |    |    |    |    |    |    |    |    |    |    |    |    |    |    |   |   |   |   |   |   |   |   |   |
| SALEABLE | NOT APPLICABLE | 34566-8053     | 9                 | A                | BLACK              | 72  | 71 | 69 | 68 | 67 | 66 | 65 | 64 | 63 | 62 | 59 | 58 | 57 | 56 | 55 | 54 | 53 | 52 | 51 | 50 | 49 | 48 | 47 | 46 | 45 | 44 | 43 | 42 | 41 | 40 | 39 | 38 | 37 | 36 | 35 | 34 | 33 |    |    |    |    |    |    |    |    |    |    |    |    |    |    |    |    |    |    |    |    |    |    |    |    |    |    |    |    |    |    |    |    |    |    |   |   |   |   |   |   |   |   |   |
|          |                |                |                   |                  |                    | 73  |    |    |    | 32 | 31 | 30 | 29 | 27 | 26 | 25 | 24 | 23 | 22 | 21 | 20 | 19 | 18 | 17 |    |    |    |    |    |    |    |    |    |    |    |    |    |    |    |    |    |    |    |    |    |    |    |    |    |    |    |    |    |    |    |    |    |    |    |    |    |    |    |    |    |    |    |    |    |    |    |    |    |    |    |    |   |   |   |   |   |   |   |   |   |
|          |                |                |                   |                  |                    | 16  | 15 | 14 | 13 | 12 | 11 | 10 | 9  | 8  | 7  | 6  | 5  | 4  | 3  | 2  | 1  |    |    |    |    |    |    |    |    |    |    |    |    |    |    |    |    |    |    |    |    |    |    |    |    |    |    |    |    |    |    |    |    |    |    |    |    |    |    |    |    |    |    |    |    |    |    |    |    |    |    |    |    |    |    |    |   |   |   |   |   |   |   |   |   |
| SALEABLE | NOT APPLICABLE | 34566-8063     | 9                 | C                | BLUE               | 71  | 70 | 69 | 68 | 67 | 66 | 65 | 64 | 63 | 62 | 59 | 58 | 57 | 56 | 55 | 54 | 53 | 52 | 51 | 50 | 49 | 48 | 47 | 46 | 45 | 44 | 43 | 42 | 41 | 40 | 39 | 38 | 37 | 36 | 35 | 34 | 33 |    |    |    |    |    |    |    |    |    |    |    |    |    |    |    |    |    |    |    |    |    |    |    |    |    |    |    |    |    |    |    |    |    |    |   |   |   |   |   |   |   |   |   |
|          |                |                |                   |                  |                    | 73  |    |    |    | 32 | 31 | 30 | 29 | 28 | 27 | 26 | 25 | 24 | 23 | 22 | 21 | 20 | 19 | 18 | 17 |    |    |    |    |    |    |    |    |    |    |    |    |    |    |    |    |    |    |    |    |    |    |    |    |    |    |    |    |    |    |    |    |    |    |    |    |    |    |    |    |    |    |    |    |    |    |    |    |    |    |    |   |   |   |   |   |   |   |   |   |
|          |                |                |                   |                  |                    | 16  | 15 | 14 | 13 | 12 | 11 | 10 | 9  | 8  | 7  | 6  | 5  | 4  | 3  | 2  | 1  |    |    |    |    |    |    |    |    |    |    |    |    |    |    |    |    |    |    |    |    |    |    |    |    |    |    |    |    |    |    |    |    |    |    |    |    |    |    |    |    |    |    |    |    |    |    |    |    |    |    |    |    |    |    |    |   |   |   |   |   |   |   |   |   |
| SALEABLE | NOT APPLICABLE | 34566-8073     | 9                 | B                | ST GRAY            | 69  | 68 | 67 | 66 | 65 | 64 | 63 | 62 | 61 | 59 | 58 | 57 | 56 | 55 | 54 | 53 | 52 | 51 | 50 | 49 | 48 | 47 | 46 | 45 | 44 | 43 | 42 | 41 | 40 | 39 | 38 | 37 | 36 | 35 | 34 | 33 |    |    |    |    |    |    |    |    |    |    |    |    |    |    |    |    |    |    |    |    |    |    |    |    |    |    |    |    |    |    |    |    |    |    |    |   |   |   |   |   |   |   |   |   |
|          |                |                |                   |                  |                    | 73  |    |    |    | 32 | 31 | 30 | 29 | 27 | 26 | 25 | 24 | 23 | 22 | 21 | 20 | 19 | 18 | 17 |    |    |    |    |    |    |    |    |    |    |    |    |    |    |    |    |    |    |    |    |    |    |    |    |    |    |    |    |    |    |    |    |    |    |    |    |    |    |    |    |    |    |    |    |    |    |    |    |    |    |    |    |   |   |   |   |   |   |   |   |   |
|          |                |                |                   |                  |                    | 16  | 15 | 14 | 13 | 12 | 11 | 10 | 9  | 8  | 7  | 6  | 5  | 4  | 3  | 2  | 1  |    |    |    |    |    |    |    |    |    |    |    |    |    |    |    |    |    |    |    |    |    |    |    |    |    |    |    |    |    |    |    |    |    |    |    |    |    |    |    |    |    |    |    |    |    |    |    |    |    |    |    |    |    |    |    |   |   |   |   |   |   |   |   |   |
| SALEABLE | NOT APPLICABLE | 34566-8083     | 9                 | B                | ST GRAY            | 62  | 61 | 59 | 58 | 57 | 56 | 55 | 54 | 53 | 52 | 51 | 50 | 49 | 48 | 47 | 46 | 45 | 44 | 43 | 42 | 41 | 40 | 39 | 38 | 37 | 36 | 35 | 34 | 33 | 32 | 31 | 30 | 29 | 28 | 27 | 26 | 25 | 24 | 23 | 22 | 21 | 20 | 19 | 18 | 17 | 16 | 15 | 14 | 13 | 12 | 11 | 10 | 9  | 8  | 7  | 6  | 5  | 4  | 3  | 2  | 1  |    |    |    |    |    |    |    |    |    |    |   |   |   |   |   |   |   |   |   |
|          |                |                |                   |                  |                    | 73  |    |    |    | 32 | 31 | 30 | 29 | 27 | 26 | 25 | 24 | 23 | 22 | 21 | 20 | 19 | 18 | 17 |    |    |    |    |    |    |    |    |    |    |    |    |    |    |    |    |    |    |    |    |    |    |    |    |    |    |    |    |    |    |    |    |    |    |    |    |    |    |    |    |    |    |    |    |    |    |    |    |    |    |    |    |   |   |   |   |   |   |   |   |   |
|          |                |                |                   |                  |                    | 16  | 15 | 14 | 13 | 12 | 11 | 10 | 9  | 8  | 7  | 6  | 5  | 4  | 3  | 2  | 1  |    |    |    |    |    |    |    |    |    |    |    |    |    |    |    |    |    |    |    |    |    |    |    |    |    |    |    |    |    |    |    |    |    |    |    |    |    |    |    |    |    |    |    |    |    |    |    |    |    |    |    |    |    |    |    |   |   |   |   |   |   |   |   |   |
| SALEABLE | NOT APPLICABLE | 34566-8093     | 9                 | A                | BLACK              | 71  | 70 | 69 | 68 | 67 | 66 | 65 | 64 | 63 | 62 | 61 | 59 | 58 | 57 | 56 | 55 | 54 | 53 | 52 | 51 | 50 | 49 | 48 | 47 | 46 | 45 | 44 | 43 | 42 | 41 | 40 | 39 | 38 | 37 | 36 | 35 | 34 | 33 |    |    |    |    |    |    |    |    |    |    |    |    |    |    |    |    |    |    |    |    |    |    |    |    |    |    |    |    |    |    |    |    |    |   |   |   |   |   |   |   |   |   |
|          |                |                |                   |                  |                    | 73  |    |    |    | 32 | 31 | 30 | 29 | 27 | 26 | 25 | 24 | 23 | 22 | 21 | 20 | 19 | 18 | 17 |    |    |    |    |    |    |    |    |    |    |    |    |    |    |    |    |    |    |    |    |    |    |    |    |    |    |    |    |    |    |    |    |    |    |    |    |    |    |    |    |    |    |    |    |    |    |    |    |    |    |    |    |   |   |   |   |   |   |   |   |   |
|          |                |                |                   |                  |                    | 16  | 15 | 14 | 13 | 12 | 11 | 10 | 9  | 8  | 7  | 6  | 5  | 4  | 3  | 2  | 1  |    |    |    |    |    |    |    |    |    |    |    |    |    |    |    |    |    |    |    |    |    |    |    |    |    |    |    |    |    |    |    |    |    |    |    |    |    |    |    |    |    |    |    |    |    |    |    |    |    |    |    |    |    |    |    |   |   |   |   |   |   |   |   |   |
| SALEABLE | NOT APPLICABLE | 34566-8113     | 9                 | C                | BLUE               | 68  | 67 | 66 | 65 | 64 | 63 | 62 | 61 | 60 | 59 | 58 | 57 | 56 | 55 | 54 | 53 | 52 | 51 | 50 | 49 | 48 | 47 | 46 | 45 | 44 | 43 | 42 | 41 | 40 | 39 | 38 | 37 | 36 | 35 | 34 | 33 |    |    |    |    |    |    |    |    |    |    |    |    |    |    |    |    |    |    |    |    |    |    |    |    |    |    |    |    |    |    |    |    |    |    |    |   |   |   |   |   |   |   |   |   |
|          |                |                |                   |                  |                    | 73  |    |    |    | 32 | 31 | 30 | 29 | 27 | 26 | 25 | 24 | 23 | 22 | 21 | 20 | 19 | 18 | 17 |    |    |    |    |    |    |    |    |    |    |    |    |    |    |    |    |    |    |    |    |    |    |    |    |    |    |    |    |    |    |    |    |    |    |    |    |    |    |    |    |    |    |    |    |    |    |    |    |    |    |    |    |   |   |   |   |   |   |   |   |   |
|          |                |                |                   |                  |                    | 16  | 15 | 14 | 13 | 12 | 11 | 10 | 9  | 8  | 7  | 6  | 5  | 4  | 3  | 2  | 1  |    |    |    |    |    |    |    |    |    |    |    |    |    |    |    |    |    |    |    |    |    |    |    |    |    |    |    |    |    |    |    |    |    |    |    |    |    |    |    |    |    |    |    |    |    |    |    |    |    |    |    |    |    |    |    |   |   |   |   |   |   |   |   |   |
| SALEABLE | NOT APPLICABLE | 34566-8123     | 0                 | G                | BLUE               | 80  | 79 | 78 | 77 | 76 | 75 | 74 | 73 | 72 | 71 | 70 | 69 | 68 | 67 | 66 | 65 | 64 | 63 | 62 | 61 | 60 | 59 | 58 | 57 | 56 | 55 | 54 | 53 | 52 | 51 | 50 | 49 | 48 | 47 | 46 | 45 | 44 | 43 | 42 | 41 | 40 | 39 | 38 | 37 | 36 | 35 | 34 | 33 | 32 | 31 | 30 | 29 | 28 | 27 | 26 | 25 | 24 | 23 | 22 | 21 | 20 | 19 | 18 | 17 | 16 | 15 | 14 | 13 | 12 | 11 | 10 | 9 | 8 | 7 | 6 | 5 | 4 | 3 | 2 | 1 |
|          |                |                |                   |                  |                    | 73  |    |    |    | 32 | 31 | 30 | 29 | 27 | 26 | 25 | 24 | 23 | 22 | 21 | 20 | 19 | 18 | 17 |    |    |    |    |    |    |    |    |    |    |    |    |    |    |    |    |    |    |    |    |    |    |    |    |    |    |    |    |    |    |    |    |    |    |    |    |    |    |    |    |    |    |    |    |    |    |    |    |    |    |    |    |   |   |   |   |   |   |   |   |   |
|          |                |                |                   |                  |                    | 16  | 15 | 14 | 13 | 12 | 11 | 10 | 9  | 8  | 7  | 6  | 5  | 4  | 3  | 2  | 1  |    |    |    |    |    |    |    |    |    |    |    |    |    |    |    |    |    |    |    |    |    |    |    |    |    |    |    |    |    |    |    |    |    |    |    |    |    |    |    |    |    |    |    |    |    |    |    |    |    |    |    |    |    |    |    |   |   |   |   |   |   |   |   |   |
| SALEABLE | NOT APPLICABLE | 34566-8133     | 0                 | G                | BLUE               | 80  | 79 | 78 | 77 | 76 | 75 | 74 | 73 | 72 | 71 | 70 | 69 | 68 | 67 | 66 | 65 | 64 | 63 | 62 | 61 | 60 | 59 | 58 | 57 | 56 | 55 | 54 | 53 | 52 | 51 | 50 | 49 | 48 | 47 | 46 | 45 | 44 | 43 | 42 | 41 | 40 | 39 | 38 | 37 | 36 | 35 | 34 | 33 | 32 | 31 | 30 | 29 | 28 | 27 | 26 | 25 | 24 | 23 | 22 | 21 | 20 | 19 | 18 | 17 | 16 | 15 | 14 | 13 | 12 | 11 | 10 | 9 | 8 | 7 | 6 | 5 | 4 | 3 | 2 | 1 |
|          |                |                |                   |                  |                    | 73  |    |    |    | 32 | 31 | 30 | 29 | 27 | 26 | 25 | 24 | 23 | 22 | 21 | 20 | 19 | 18 | 17 |    |    |    |    |    |    |    |    |    |    |    |    |    |    |    |    |    |    |    |    |    |    |    |    |    |    |    |    |    |    |    |    |    |    |    |    |    |    |    |    |    |    |    |    |    |    |    |    |    |    |    |    |   |   |   |   |   |   |   |   |   |
|          |                |                |                   |                  |                    | 16  | 15 | 14 | 13 | 12 | 11 | 10 | 9  | 8  | 7  | 6  | 5  | 4  | 3  | 2  | 1  |    |    |    |    |    |    |    |    |    |    |    |    |    |    |    |    |    |    |    |    |    |    |    |    |    |    |    |    |    |    |    |    |    |    |    |    |    |    |    |    |    |    |    |    |    |    |    |    |    |    |    |    |    |    |    |   |   |   |   |   |   |   |   |   |
| SALEABLE | NOT APPLICABLE | 34566-8143     | 0                 | G                | BLUE               | 80  | 79 | 78 | 77 | 76 | 75 | 74 | 73 | 72 | 71 | 70 | 69 | 68 | 67 | 66 | 65 | 64 | 63 | 62 | 61 | 60 | 59 | 58 | 57 | 56 | 55 | 54 | 53 | 52 | 51 | 50 | 49 | 48 | 47 | 46 | 45 | 44 | 43 | 42 | 41 | 40 | 39 | 38 | 37 | 36 | 35 | 34 | 33 | 32 | 31 | 30 | 29 | 28 | 27 | 26 | 25 | 24 | 23 | 22 | 21 | 20 | 19 | 18 | 17 | 16 | 15 | 14 | 13 | 12 | 11 | 10 | 9 | 8 | 7 | 6 | 5 | 4 | 3 | 2 | 1 |
|          |                |                |                   |                  |                    | 73  |    |    |    | 32 | 31 | 30 | 29 | 27 | 26 | 25 | 24 | 23 | 22 | 21 | 20 | 19 | 18 | 17 |    |    |    |    |    |    |    |    |    |    |    |    |    |    |    |    |    |    |    |    |    |    |    |    |    |    |    |    |    |    |    |    |    |    |    |    |    |    |    |    |    |    |    |    |    |    |    |    |    |    |    |    |   |   |   |   |   |   |   |   |   |
|          |                |                |                   |                  |                    | 16  | 15 | 14 | 13 | 12 | 11 | 10 | 9  | 8  | 7  | 6  | 5  | 4  | 3  | 2  | 1  |    |    |    |    |    |    |    |    |    |    |    |    |    |    |    |    |    |    |    |    |    |    |    |    |    |    |    |    |    |    |    |    |    |    |    |    |    |    |    |    |    |    |    |    |    |    |    |    |    |    |    |    |    |    |    |   |   |   |   |   |   |   |   |   |

MX123 52/66/73/80-WAY RECEPTACLE ASSY SEALED PIN OUT SHEET

| STATUS   | GM PART #      | HRNS CONN ASSY |                   |                  | TPA                | GROMMET CAP                                 |    |    |    |    |    |    |    |    |    |    |    |    |    |    |    |    |    |    |    |    |    |
|----------|----------------|----------------|-------------------|------------------|--------------------|---|----|----|----|----|----|----|----|----|----|----|----|----|----|----|----|----|----|----|----|----|----|
|          |                | MATERIAL/PART  | WIRE DRESS OPTION | KEY OPTION<br>Fp | COLOR OPTION<br>Fp | NUMBERS INDICATE CAVITIES OPEN FOR CIRCUITS |    |    |    |    |    |    |    |    |    |    |    |    |    |    |    |    |    |    |    |    |    |
|          |                | NUMBER         |                   |                  |                    | Fp  |    |    |    |    |    |    |    |    |    |    |    |    |    |    |    |    |    |    |    |    |    |
| SALEABLE | NOT APPLICABLE | 34566-8153     | 0                 | C                | BLUE               | 72  | 71 | 70 | 69 | 68 | 67 | 66 | 65 | 64 | 63 | 62 | 61 | 60 | 59 | 58 | 57 | 56 | 55 | 34 | 33 |    |    |
|          |                |                |                   |                  |                    | 52  | 51 | 50 |    |    |    |    |    |    | 42 | 41 |    |    |    |    |    |    |    |    |    |    |    |
|          |                |                |                   |                  |                    | 73  |    |    |    |    |    |    | 28 | 27 |    |    |    |    |    |    |    |    |    |    |    |    | 18 |
| SALEABLE | NOT APPLICABLE | 34566-8163     | 9                 | B                | ST GRAY            |   |    |    |    | 68 | 67 |    |    | 64 | 63 |    |    | 59 | 58 |    |    | 55 | 54 |    |    |    |    |
|          |                |                |                   |                  |                    |   |    |    |    |    |    | 47 | 46 | 45 | 44 | 43 |    |    | 39 | 38 |    |    | 35 |    |    |    |    |
|          |                |                |                   |                  |                    | 73  |    |    |    |    | 32 | 31 | 30 | 29 | 28 | 27 |    |    | 23 | 22 |    |    | 19 |    |    | 17 |    |
| SALEABLE | NOT APPLICABLE | 34566-8173     | 0                 | B                | ST GRAY            | 72  |    | 70 |    | 68 | 67 |    |    |    | 63 | 62 | 61 | 60 | 59 |    |    |    |    |    |    |    |    |
|          |                |                |                   |                  |                    | 52  |    |    |    |    |    | 46 |    |    | 43 |    | 41 | 40 |    |    |    |    |    |    |    |    |    |
|          |                |                |                   |                  |                    | 73  |    |    |    |    |    |    |    |    | 27 |    |    |    |    | 22 | 21 | 20 | 19 | 18 |    |    |    |
| SALEABLE | NOT APPLICABLE | 34566-8183     | 9                 | H                | ST GRAY            |   |    |    |    |    |    |    |    |    |    |    |    |    |    |    |    |    |    |    |    |    |    |
|          |                |                |                   |                  |                    |   |    |    |    |    |    |    |    |    |    |    |    |    |    |    |    |    |    |    |    |    |    |
|          |                |                |                   |                  |                    |   |    |    |    |    |    |    |    |    |    |    |    |    |    |    |    |    |    |    |    |    |    |
| SALEABLE | NOT APPLICABLE | 34566-8193     | 0                 | G                | BLUE               |   | 79 | 78 | 77 | 76 | 75 | 74 |    |    | 71 |    |    |    | 67 |    | 65 |    | 63 |    |    |    |    |
|          |                |                |                   |                  |                    | 60  | 59 | 58 | 57 | 56 | 55 | 54 |    | 52 |    |    |    |    | 47 |    | 45 |    | 43 |    |    |    |    |
|          |                |                |                   |                  |                    | 40  |    | 38 | 37 |    |    |    | 33 | 32 | 31 | 30 | 29 |    | 27 | 26 |    |    |    |    |    |    |    |
| SALEABLE | NOT APPLICABLE | 34566-8213     | 0                 | H                | ST GRAY            |   |    |    |    |    |    | 74 | 73 |    |    |    |    | 67 |    | 65 | 64 | 63 | 62 | 61 |    |    |    |
|          |                |                |                   |                  |                    |   |    |    |    |    |    |    | 53 | 52 |    |    |    |    |    |    |    | 44 | 43 | 42 | 41 |    |    |
|          |                |                |                   |                  |                    |   |    | 38 |    |    |    |    | 33 |    |    |    |    |    | 27 |    | 25 |    |    |    |    |    |    |
| SALEABLE | NOT APPLICABLE | 34566-8223     | 9                 | A                | BLACK              | 72  |    |    |    |    |    |    |    |    |    | 62 | 61 |    | 59 |    | 57 |    | 55 |    |    |    |    |
|          |                |                |                   |                  |                    | 52  | 51 |    |    |    |    |    |    |    |    |    |    | 40 |    |    | 37 |    |    |    |    |    |    |
|          |                |                |                   |                  |                    | 73  |    |    |    |    | 32 |    |    | 29 |    |    |    | 25 |    |    |    | 20 |    |    |    |    |    |
| SALEABLE | NOT APPLICABLE | 34566-8233     | 9                 | G                | BLUE               |   |    |    | 77 | 76 | 75 | 74 | 73 | 72 |    | 70 | 69 | 68 |    | 66 | 65 | 64 | 63 | 62 | 61 |    |    |
|          |                |                |                   |                  |                    |   |    |    |    | 56 | 55 |    | 53 | 52 |    |    |    |    | 46 | 45 |    | 43 | 42 |    |    |    |    |
|          |                |                |                   |                  |                    |   |    | 38 | 37 | 36 | 35 | 34 |    |    | 31 |    |    |    | 26 |    |    | 23 | 22 | 21 |    |    |    |
| SALEABLE | NOT APPLICABLE | 34566-8243     | 9                 | G                | BLUE               | 20  | 19 |    |    | 17 | 16 | 15 | 14 | 13 |    | 10 |    |    | 7  | 6  |    | 4  |    |    | 1  |    |    |
|          |                |                |                   |                  |                    |   |    |    |    | 77 | 76 | 75 | 74 | 73 | 72 |    | 70 | 69 | 68 |    | 66 | 65 | 64 | 63 | 62 | 61 |    |
|          |                |                |                   |                  |                    |   |    |    |    | 56 | 55 |    | 53 | 52 |    |    |    |    | 46 | 45 |    | 43 | 42 |    |    |    |    |
| SALEABLE | NOT APPLICABLE | 34566-8253     | 9                 | G                | BLUE               |   |    |    |    | 38 | 37 | 36 | 35 | 34 |    |    |    |    | 26 |    |    | 23 | 22 | 21 |    |    |    |
|          |                |                |                   |                  |                    |   |    |    |    | 77 | 76 | 75 | 74 | 73 | 72 |    | 70 | 69 | 68 |    | 66 | 65 | 64 | 63 | 62 | 61 |    |
|          |                |                |                   |                  |                    |   |    |    |    | 56 | 55 |    | 53 | 52 |    |    |    |    | 46 | 45 |    | 43 | 42 |    |    |    |    |
| SALEABLE | NOT APPLICABLE | 34566-8263     | 9                 | G                | BLUE               | 20  | 19 |    |    | 17 | 16 | 15 | 14 | 13 |    | 10 |    |    | 7  | 6  |    | 4  |    |    | 1  |    |    |
|          |                |                |                   |                  |                    |   |    |    |    | 77 | 76 | 75 | 74 | 73 | 72 |    | 70 | 69 | 68 |    | 66 | 65 | 64 | 63 | 62 | 61 |    |
|          |                |                |                   |                  |                    |   |    |    |    | 56 | 55 |    | 53 | 52 |    |    |    |    | 46 | 45 |    | 43 | 42 |    |    |    |    |
| SALEABLE | NOT APPLICABLE | 34566-8273     | 9                 | G                | BLUE               |   |    |    |    | 38 |    | 36 | 35 | 34 |    |    |    |    | 26 |    |    | 23 | 22 | 21 |    |    |    |
|          |                |                |                   |                  |                    |   |    |    |    | 77 | 76 | 75 | 74 | 73 | 72 |    | 70 | 69 | 68 |    | 66 | 65 | 64 | 63 | 62 | 61 |    |
|          |                |                |                   |                  |                    |   |    |    |    | 56 | 55 |    | 53 | 52 |    |    |    |    | 46 | 45 |    | 43 | 42 |    |    |    |    |
| SALEABLE | NOT APPLICABLE | 34566-8283     | 9                 | G                | BLUE               |   |    |    |    | 38 |    | 36 | 35 | 34 |    |    |    |    | 26 |    |    | 23 | 22 | 21 |    |    |    |
|          |                |                |                   |                  |                    |   |    |    |    | 77 | 76 | 75 | 74 | 73 | 72 |    | 70 | 69 | 68 |    | 66 | 65 | 64 | 63 | 62 | 61 |    |
|          |                |                |                   |                  |                    |   |    |    |    | 56 | 55 |    | 53 | 52 |    |    |    |    | 46 | 45 |    | 43 | 42 |    |    |    |    |
| SALEABLE | NOT APPLICABLE | 34566-8293     | 9                 | A                | BLACK              |   |    |    |    | 17 | 16 | 15 | 14 | 13 |    | 10 |    |    | 7  | 6  |    | 4  |    |    | 1  |    |    |
|          |                |                |                   |                  |                    |   |    |    |    | 80 | 79 | 78 |    |    |    |    |    | 71 |    |    | 67 |    |    |    |    |    |    |
|          |                |                |                   |                  |                    |   |    |    |    | 60 | 59 | 58 | 57 |    |    | 54 |    |    | 51 | 50 | 49 | 48 | 47 |    |    | 44 |    |
| SALEABLE | NOT APPLICABLE | 34566-8313     | 9                 | A                | BLACK              | 40  | 39 |    |    |    |    |    |    | 33 | 32 |    | 30 | 29 | 28 | 27 |    | 25 | 24 |    |    |    |    |
|          |                |                |                   |                  |                    |   |    |    |    |    |    |    |    |    |    |    |    |    |    |    |    |    |    |    |    |    |    |
|          |                |                |                   |                  |                    |   |    |    |    | 18 |    |    |    |    |    |    |    |    |    |    |    |    |    |    |    |    |    |
| SALEABLE | NOT APPLICABLE | 34566-8283     | 9                 | G                | BLUE               |   |    |    |    | 17 | 16 | 15 | 14 | 13 |    | 10 |    |    | 7  | 6  |    | 4  |    |    | 1  |    |    |
|          |                |                |                   |                  |                    |   |    |    |    | 80 | 79 | 78 |    |    |    |    |    | 71 |    |    | 67 |    |    |    |    |    |    |
|          |                |                |                   |                  |                    |   |    |    |    | 60 | 59 | 58 | 57 |    |    | 54 |    |    | 51 | 50 | 49 | 48 | 47 |    |    | 44 |    |
| SALEABLE | NOT APPLICABLE | 34566-8293     | 9                 | A                | BLACK              | 40  | 39 |    |    |    |    |    |    | 33 | 32 |    | 30 | 29 | 28 | 27 |    | 25 | 24 |    |    |    |    |
|          |                |                |                   |                  |                    |   |    |    |    |    |    |    |    |    |    |    |    |    |    |    |    |    |    |    |    |    |    |
|          |                |                |                   |                  |                    |   |    |    |    | 18 |    |    |    |    |    |    |    |    |    |    |    |    |    |    |    |    |    |
| SALEABLE | NOT APPLICABLE | 34566-8293     | 9                 | A                | BLACK              |   |    |    |    | 71 | 70 | 69 | 68 | 67 | 66 | 65 |    | 63 |    | 60 | 59 | 58 |    |    |    |    |    |
|          |                |                |                   |                  |                    |   |    |    |    |    |    |    |    |    |    |    |    |    |    |    |    |    |    |    |    |    |    |
|          |                |                |                   |                  |                    |   |    |    |    | 50 | 49 | 48 | 47 |    |    | 44 |    |    | 42 |    |    | 39 | 38 |    |    | 36 | 35 |
| SALEABLE | NOT APPLICABLE | 34566-8293     | 9                 | A                | BLACK              | 73  |    |    |    |    |    |    | 31 |    | 28 |    | 26 |    | 24 | 23 | 22 | 21 |    |    |    |    |    |
|          |                |                |                   |                  |                    |   |    |    |    |    |    |    |    |    |    |    |    |    |    |    |    |    |    |    |    |    |    |
|          |                |                |                   |                  |                    |   |    |    |    |    |    |    |    |    |    |    |    |    |    |    |    |    |    |    |    |    |    |
| SALEABLE | NOT APPLICABLE | 34566-8313     | 9                 | A                | BLACK              |   | 71 | 70 | 69 |    |    | 67 | 66 | 65 |    | 63 |    | 60 | 59 | 58 |    |    |    |    |    |    |    |
|          |                |                |                   |                  |                    |   |    |    |    |    |    |    |    |    |    |    |    |    |    |    |    |    |    |    |    |    |    |
|          |                |                |                   |                  |                    |   |    |    |    | 50 | 49 | 48 | 47 |    |    | 44 |    |    | 42 | 41 |    | 39 | 38 |    |    | 36 | 35 |
| SALEABLE | NOT APPLICABLE | 34566-8313     | 9                 | A                | BLACK              | 73  |    |    |    |    |    |    | 31 |    | 28 |    | 26 |    | 24 | 23 | 22 | 21 |    |    |    |    |    |
|          |                |                |                   |                  |                    |   |    |    |    |    |    |    |    |    |    |    |    |    |    |    |    |    |    |    |    |    |    |
|          |                |                |                   |                  |                    |   |    |    |    |    |    |    |    |    |    |    |    |    |    |    |    |    |    |    |    |    |    |

MX123 52/66/73/80-WAY RECEPTACLE ASSY SEALED PIN OUT SHEET

| STATUS   | GM PART #      | HRNS CONN ASSY |                   |                  | TPA                | GROMMET CAP                                 |    |    |    |    |    |    |    |    |    |    |    |    |    |    |    |    |    |    |    |    |    |
|----------|----------------|----------------|-------------------|------------------|--------------------|---|----|----|----|----|----|----|----|----|----|----|----|----|----|----|----|----|----|----|----|----|----|
|          |                | MATERIAL/PART  | WIRE DRESS OPTION | KEY OPTION<br>Fp | COLOR OPTION<br>Fp | NUMBERS INDICATE CAVITIES OPEN FOR CIRCUITS |    |    |    |    |    |    |    |    |    |    |    |    |    |    |    |    |    |    |    |    |    |
|          |                | NUMBER         |                   |                  |                    | Fp  |    |    |    |    |    |    |    |    |    |    |    |    |    |    |    |    |    |    |    |    |    |
| SALEABLE | NOT APPLICABLE | 34566-8323     | 9                 | A                | BLACK              | 71  | 70 | 69 | 68 | 67 | 66 | 65 |    | 63 |    | 60 |    |    |    |    |    |    | 53 |    |    |    |    |
|          |                |                |                   |                  |                    |   |    | 50 | 49 |    | 47 |    |    | 44 |    | 42 |    |    | 39 | 38 |    |    | 36 |    |    | 33 |    |
|          |                |                |                   |                  |                    | 73  |    |    |    |    |    | 31 |    |    | 28 |    | 26 |    | 24 | 23 | 22 | 21 |    | 19 | 18 | 17 |    |
| SALEABLE | NOT APPLICABLE | 34566-8333     | 9                 | A                | BLACK              | 71  | 70 | 69 | 68 | 67 | 66 | 65 |    | 63 |    | 60 |    |    |    |    |    |    | 53 |    |    |    |    |
|          |                |                |                   |                  |                    |   |    | 50 | 49 | 48 | 47 |    |    | 44 |    | 42 | 41 |    | 39 | 38 |    |    | 36 |    |    | 33 |    |
|          |                |                |                   |                  |                    | 73  |    |    |    |    |    | 31 |    |    | 28 |    | 26 |    | 24 | 23 | 22 | 21 |    | 19 | 18 | 17 |    |
| SALEABLE | NOT APPLICABLE | 34566-8343     | 9                 | A                | BLACK              | 71  | 70 | 69 | 68 | 67 | 66 | 65 |    | 63 |    | 60 | 59 |    |    |    |    |    | 53 |    |    |    |    |
|          |                |                |                   |                  |                    |   |    | 50 | 49 |    | 47 |    |    | 44 |    | 42 |    |    | 39 | 38 |    |    | 36 | 35 | 34 | 33 |    |
|          |                |                |                   |                  |                    | 73  |    |    |    |    |    | 31 |    |    | 28 |    | 26 |    | 24 | 23 | 22 | 21 |    | 19 | 18 | 17 |    |
| SALEABLE | NOT APPLICABLE | 34566-8353     | 9                 | A                | BLACK              | 72  |    |    |    |    |    |    |    | 64 |    | 62 | 61 |    |    |    |    | 57 | 56 | 55 | 54 | 53 |    |
|          |                |                |                   |                  |                    | 52  | 51 |    |    |    |    |    | 46 | 45 |    | 43 |    | 41 | 40 |    |    |    | 37 |    |    |    |    |
|          |                |                |                   |                  |                    | 73  |    |    |    |    |    | 32 |    | 30 | 29 |    | 27 |    | 25 |    |    |    |    | 20 |    |    |    |
| SALEABLE | NOT APPLICABLE | 34566-8363     | 9                 | A                | BLACK              | 72  |    |    |    |    |    |    |    | 64 |    | 62 | 61 |    |    |    |    | 57 | 56 | 55 | 54 | 53 |    |
|          |                |                |                   |                  |                    | 52  | 51 |    |    |    |    |    | 46 | 45 |    | 43 |    | 41 | 40 |    |    |    | 37 |    |    |    |    |
|          |                |                |                   |                  |                    | 73  |    |    |    |    |    | 32 |    | 30 | 29 |    | 27 |    | 25 |    |    |    |    | 20 |    |    |    |
| SALEABLE | NOT APPLICABLE | 34566-8373     | 9                 | A                | BLACK              | 72  |    |    |    |    |    |    |    | 64 |    | 62 | 61 |    |    |    |    | 57 | 56 | 55 | 54 | 53 |    |
|          |                |                |                   |                  |                    | 52  | 51 |    |    |    |    |    | 46 | 45 |    | 43 |    | 41 | 40 |    |    |    | 37 |    |    |    |    |
|          |                |                |                   |                  |                    | 73  |    |    |    |    |    | 32 |    | 30 | 29 |    | 27 |    | 25 |    |    |    |    | 20 |    |    |    |
| SALEABLE | NOT APPLICABLE | 34566-8383     | 9                 | A                | BLACK              | 72  |    |    |    |    |    |    |    | 64 |    | 62 | 61 |    |    |    |    | 57 | 56 | 55 | 54 | 53 |    |
|          |                |                |                   |                  |                    | 52  | 51 |    |    |    |    |    | 46 | 45 |    | 43 |    | 41 | 40 |    |    |    | 37 |    |    |    |    |
|          |                |                |                   |                  |                    | 73  |    |    |    |    |    | 32 |    | 30 | 29 |    | 27 |    | 25 |    |    |    |    | 20 |    |    |    |
| SALEABLE | NOT APPLICABLE | 34566-8393     | 0                 | A                | BLACK              | 72  |    | 70 |    |    |    |    |    | 64 |    | 62 | 61 |    |    |    |    | 57 | 56 | 55 | 54 | 53 |    |
|          |                |                |                   |                  |                    | 52  | 51 |    | 49 | 48 |    |    |    |    | 43 |    |    |    |    |    |    |    | 36 | 35 | 34 | 33 |    |
|          |                |                |                   |                  |                    | 73  |    |    |    |    |    | 31 | 30 | 29 | 28 | 27 |    |    | 24 | 23 | 22 | 21 | 20 | 19 | 18 | 17 |    |
| SALEABLE | NOT APPLICABLE | 34566-8413     | 0                 | A                | BLACK              | 72  |    | 70 |    |    |    |    |    | 64 |    | 62 | 61 |    |    |    |    | 57 | 56 | 55 | 54 | 53 |    |
|          |                |                |                   |                  |                    | 52  | 51 |    | 49 | 48 |    |    |    |    | 43 |    |    |    |    |    |    |    | 36 | 35 | 34 | 33 |    |
|          |                |                |                   |                  |                    | 73  |    |    |    |    |    | 31 | 30 | 29 | 28 | 27 |    |    | 24 | 23 | 22 | 21 | 20 | 19 | 18 | 17 |    |
| SALEABLE | NOT APPLICABLE | 34566-8423     | 0                 | C                | BLUE               |   |    |    | 69 |    |    |    |    | 64 |    | 62 | 61 | 60 |    |    |    | 57 |    |    | 54 |    |    |
|          |                |                |                   |                  |                    | 52  | 51 | 50 | 49 | 48 |    |    | 46 | 45 | 44 |    | 42 | 41 |    |    |    |    | 37 |    |    | 34 | 33 |
|          |                |                |                   |                  |                    | 73  |    |    |    |    |    |    |    |    | 28 | 27 | 26 | 25 |    |    |    |    |    |    |    |    |    |
| SALEABLE | NOT APPLICABLE | 34566-8433     | 0                 | H                | ST GRAY            |   | 79 | 78 | 77 |    |    |    |    |    |    |    |    |    |    |    |    |    |    |    | 61 |    |    |
|          |                |                |                   |                  |                    |   |    |    |    |    |    |    |    |    |    |    |    |    |    |    |    |    |    |    |    |    |    |
|          |                |                |                   |                  |                    | 20  |    |    |    |    |    |    |    |    |    |    |    |    | 9  |    |    |    | 5  |    |    |    |    |
| SALEABLE | NOT APPLICABLE | 34566-8443     | 0                 | C                | BLUE               |   | 71 | 70 |    |    |    |    |    |    |    |    | 61 | 60 | 59 | 58 | 57 |    |    | 54 |    |    |    |
|          |                |                |                   |                  |                    | 52  | 51 | 50 |    | 48 | 47 |    | 45 | 44 |    |    | 41 |    | 39 | 38 | 37 |    |    |    | 34 | 33 |    |
|          |                |                |                   |                  |                    | 73  |    |    |    |    |    | 32 |    |    | 28 | 27 |    | 25 |    | 23 |    |    |    |    |    | 18 | 17 |
| SALEABLE | NOT APPLICABLE | 34566-8453     | 0                 | A                | BLACK              | 72  | 71 | 70 | 69 | 68 |    |    |    |    |    |    |    |    |    |    |    |    |    |    |    |    |    |
|          |                |                |                   |                  |                    | 52  | 51 | 50 | 49 | 48 |    |    | 46 | 45 | 44 | 43 | 42 |    | 40 | 39 | 38 | 37 | 36 |    |    | 34 |    |
|          |                |                |                   |                  |                    | 73  |    |    |    |    |    | 32 | 31 | 30 | 29 | 28 |    |    |    |    | 23 | 22 | 21 | 20 |    |    |    |
| SALEABLE | NOT APPLICABLE | 34566-8463     | 0                 | B                | ST GRAY            | 72  |    | 70 |    |    |    |    |    |    |    | 62 | 61 | 60 | 59 |    |    |    | 55 |    |    |    |    |
|          |                |                |                   |                  |                    | 52  |    |    |    | 48 | 47 | 46 |    | 44 | 43 |    |    | 41 | 40 |    |    |    | 38 | 37 | 36 | 35 |    |
|          |                |                |                   |                  |                    | 73  |    |    |    |    |    |    |    | 30 |    |    |    |    |    |    |    |    | 22 | 21 | 20 | 19 | 18 |
| SALEABLE | NOT APPLICABLE | 34566-8473     | 0                 | C                | BLUE               |   | 71 | 70 |    |    |    |    |    |    |    |    |    |    |    |    |    |    |    |    |    |    |    |
|          |                |                |                   |                  |                    | 52  | 51 | 50 | 49 | 48 | 47 |    | 45 | 44 |    | 42 | 41 |    |    |    |    | 38 | 37 |    | 35 | 34 | 33 |
|          |                |                |                   |                  |                    | 73  |    |    |    |    |    | 32 |    |    | 28 | 27 | 26 | 25 |    |    |    |    |    |    | 19 | 18 | 17 |

MX123 52/66/73/80-WAY RECEPTACLE ASSY SEALED PIN OUT SHEET

| STATUS   | GM PART #      | HRNS CONN ASSY |                   |                  | TPA                | GROMMET CAP                                 |    |    |    |    |    |    |    |    |    |    |    |    |    |    |    |    |    |    |    |    |    |
|----------|----------------|----------------|-------------------|------------------|--------------------|---|----|----|----|----|----|----|----|----|----|----|----|----|----|----|----|----|----|----|----|----|----|
|          |                | MATERIAL/PART  | WIRE DRESS OPTION | KEY OPTION<br>Fp | COLOR OPTION<br>Fp | NUMBERS INDICATE CAVITIES OPEN FOR CIRCUITS |    |    |    |    |    |    |    |    |    |    |    |    |    |    |    |    |    |    |    |    |    |
|          |                | NUMBER         |                   |                  |                    | Fp  |    |    |    |    |    |    |    |    |    |    |    |    |    |    |    |    |    |    |    |    |    |
| SALEABLE | NOT APPLICABLE | 34566-8483     | 0                 | A                | BLACK              | 72  | 71 | 70 | 69 | 68 |    | 66 | 65 | 64 | 63 |    | 61 | 60 |    |    | 57 | 56 |    | 54 | 53 |    |    |
|          |                |                |                   |                  |                    | 52  | 51 | 50 | 49 | 48 |    | 46 | 45 | 44 | 43 | 42 |    |    | 40 | 39 | 38 | 37 | 36 |    | 34 | 33 |    |
|          |                |                |                   |                  |                    | 73  |    |    |    | 32 | 31 | 30 | 29 | 28 |    |    |    |    |    | 23 | 22 | 21 | 20 |    |    |    | 2  |
| SALEABLE | NOT APPLICABLE | 34566-8493     | 0                 | B                | ST GRAY            | 72  |    | 70 |    | 68 | 67 |    |    |    |    | 62 | 61 | 60 | 59 |    |    |    | 55 |    |    |    |    |
|          |                |                |                   |                  |                    | 52  |    |    |    | 48 | 47 | 46 |    | 44 | 43 |    |    | 40 |    |    |    |    |    |    |    |    | 33 |
|          |                |                |                   |                  |                    | 73  |    |    |    |    |    | 30 |    |    |    |    |    |    |    | 22 | 21 | 20 | 19 | 18 | 17 |    |    |
| SALEABLE | NOT APPLICABLE | 34566-8513     | 9                 | A                | BLACK              | 72  | 71 | 70 | 69 | 68 |    | 66 | 65 | 64 | 63 |    | 61 | 60 |    |    | 57 | 56 |    | 54 | 53 |    |    |
|          |                |                |                   |                  |                    | 52  | 51 | 50 | 49 | 48 |    | 46 | 45 | 44 | 43 |    |    | 40 | 39 | 38 | 37 | 36 |    | 34 | 33 |    |    |
|          |                |                |                   |                  |                    | 73  |    |    |    | 32 | 31 | 30 | 29 | 28 |    |    |    |    | 24 | 23 | 22 |    |    |    |    |    |    |
| SALEABLE | NOT APPLICABLE | 34566-8523     | 9                 | B                | ST GRAY            | 72  |    | 70 |    | 68 |    |    |    |    |    | 62 | 61 |    |    |    |    |    | 55 |    |    |    |    |
|          |                |                |                   |                  |                    | 52  |    |    |    | 48 | 47 | 46 |    |    | 43 |    |    | 40 |    |    |    |    |    |    |    |    |    |
|          |                |                |                   |                  |                    | 73  |    |    |    |    |    | 30 |    |    |    |    |    |    |    | 22 | 21 | 20 | 19 | 18 | 17 |    |    |
| SALEABLE | NOT APPLICABLE | 34566-8533     | 9                 | C                | BLUE               |   |    | 70 |    | 67 | 66 | 65 | 64 |    |    | 61 | 60 |    |    | 57 |    |    | 54 |    |    |    |    |
|          |                |                |                   |                  |                    | 52  | 51 | 50 | 49 | 48 | 47 |    | 45 | 44 |    |    | 41 |    |    |    | 37 |    |    |    | 34 | 33 |    |
|          |                |                |                   |                  |                    | 73  |    |    |    | 32 |    |    |    | 28 | 27 |    |    | 25 |    |    |    |    |    |    |    |    | 18 |
| SALEABLE | NOT APPLICABLE | 34566-8543     | 9                 | C                | BLUE               |   | 71 |    | 69 |    | 67 | 66 | 65 | 64 |    |    | 60 |    |    | 57 |    |    | 54 |    |    |    |    |
|          |                |                |                   |                  |                    | 52  | 51 | 50 | 49 | 48 | 47 | 46 | 45 | 44 |    |    |    |    |    | 37 |    |    |    |    | 34 | 33 |    |
|          |                |                |                   |                  |                    | 73  |    |    |    | 32 |    |    |    | 28 | 27 |    |    |    |    |    |    |    |    |    |    |    |    |
| SALEABLE | NOT APPLICABLE | 34566-8553     | 0                 | B                | ST GRAY            |   |    |    |    | 67 | 66 | 65 | 64 |    |    | 61 | 60 |    |    | 57 |    |    | 54 |    |    |    |    |
|          |                |                |                   |                  |                    | 52  | 51 | 50 | 49 | 48 | 47 |    | 45 | 44 |    |    | 41 |    |    |    | 37 |    |    |    | 34 | 33 |    |
|          |                |                |                   |                  |                    | 73  |    |    |    | 32 |    |    |    | 28 | 27 |    |    |    |    |    |    |    |    |    |    |    |    |
| SALEABLE | NOT APPLICABLE | 34566-8563     | 0                 | A                | BLACK              |   |    |    |    | 67 |    |    |    |    |    | 60 |    |    | 57 |    |    | 54 |    |    |    |    |    |
|          |                |                |                   |                  |                    | 52  | 51 |    |    | 48 | 47 | 46 |    |    | 43 | 42 |    | 40 | 39 | 38 | 37 | 36 | 35 |    |    |    |    |
|          |                |                |                   |                  |                    | 73  |    |    |    |    |    |    |    | 28 |    |    |    |    |    | 22 | 21 |    |    |    |    | 18 | 17 |
| SALEABLE | NOT APPLICABLE | 34566-8573     | 0                 | B                | ST GRAY            | 72  | 71 | 70 | 69 | 68 | 67 | 66 | 65 | 64 | 63 |    | 61 | 60 | 59 |    | 57 | 56 | 55 |    |    |    |    |
|          |                |                |                   |                  |                    | 52  | 51 | 50 | 49 | 48 | 47 | 46 | 45 | 44 | 43 |    | 41 | 40 | 39 | 38 | 37 | 36 | 35 |    |    | 33 |    |
|          |                |                |                   |                  |                    | 73  |    |    |    | 32 | 31 | 30 | 29 | 28 |    |    |    | 26 |    | 24 | 23 | 22 | 21 | 20 | 19 |    |    |
| SALEABLE | NOT APPLICABLE | 34566-8583     | 0                 | C                | BLUE               | 72  | 71 | 70 | 69 |    | 67 | 66 | 65 | 64 |    |    | 60 |    |    | 56 |    |    | 54 |    |    |    |    |
|          |                |                |                   |                  |                    | 52  | 51 | 50 | 49 |    | 47 | 46 | 45 | 44 |    |    | 40 | 39 | 38 |    |    |    |    | 34 |    |    |    |
|          |                |                |                   |                  |                    | 73  |    |    |    |    | 31 | 30 |    | 28 |    | 26 | 25 | 24 | 23 | 22 | 21 |    |    |    |    | 17 |    |
| SALEABLE | NOT APPLICABLE | 34566-8593     | 0                 | B                | ST GRAY            | 72  |    |    |    | 68 |    |    |    |    |    | 62 | 61 | 60 | 59 |    |    | 55 |    |    |    |    |    |
|          |                |                |                   |                  |                    | 52  |    |    |    | 48 | 47 | 46 |    |    | 43 |    | 41 | 40 |    | 38 | 37 | 36 | 35 |    |    |    |    |
|          |                |                |                   |                  |                    | 73  |    |    |    |    |    | 30 |    |    |    |    |    |    |    | 22 | 21 | 20 | 19 | 18 |    |    | 1  |
| SALEABLE | TBD            | 34822-0183     | 0                 | A                | BLACK              | 64  | 63 | 62 | 61 | 60 | 59 |    |    |    |    | 54 | 53 |    | 51 |    | 49 | 66 |    |    |    |    |    |
|          |                |                |                   |                  |                    |   |    |    |    |    |    |    |    |    |    | 38 | 37 |    | 35 |    | 33 |    |    |    |    |    |    |
|          |                |                |                   |                  |                    | 65  |    |    |    |    | 15 | 14 | 13 |    |    |    |    |    | 8  | 7  |    |    | 4  | 3  | 2  | 1  |    |
| SALEABLE | TBD            | 34822-0193     | 0                 | A                | BLACK              | 64  | 63 |    |    |    |    |    |    |    | 54 | 53 |    | 51 |    | 49 | 66 |    |    |    |    |    |    |
|          |                |                |                   |                  |                    |   |    |    |    |    |    |    |    |    | 38 | 37 |    | 35 |    | 33 |    |    |    |    |    |    |    |
|          |                |                |                   |                  |                    | 65  |    |    |    |    |    |    | 28 |    |    |    |    | 24 | 23 |    | 21 | 20 | 19 | 18 | 17 |    |    |
| SALEABLE | TBD            | 34822-0203     | 0                 | A                | BLACK              |   |    |    |    | 15 | 14 | 13 |    |    |    |    | 8  | 7  |    |    | 4  | 3  | 2  | 1  |    |    |    |
|          |                |                |                   |                  |                    | 64  | 63 | 62 | 61 | 60 | 59 |    |    |    |    | 54 | 53 |    | 51 |    | 49 | 66 |    |    |    |    |    |
|          |                |                |                   |                  |                    |   |    |    |    |    |    |    |    |    |    | 38 | 37 |    | 35 |    | 33 |    |    |    |    |    |    |
| SALEABLE | TBD            | 34822-0213     | 0                 | A                | BLACK              |   |    |    |    | 31 |    |    | 28 |    |    |    | 24 | 23 | 22 | 21 | 20 | 19 | 18 | 17 |    |    |    |
|          |                |                |                   |                  |                    |   |    |    |    |    |    |    |    |    |    |    |    | 8  | 7  |    |    | 4  |    |    | 2  | 1  |    |
|          |                |                |                   |                  |                    | 65  |    |    |    |    | 31 |    |    |    |    |    |    | 24 | 23 | 22 | 21 | 20 | 19 | 18 | 17 |    |    |

MX123 52/66/73/80-WAY RECEPTACLE ASSY SEALED PIN OUT SHEET

| STATUS   | GM PART #      | HRNS CONN ASSY |                   |                  | TPA                | GROMMET CAP                                 |    |    |    |    |    |    |    |    |    |    |    |    |    |    |    |    |    |    |    |    |    |
|----------|----------------|----------------|-------------------|------------------|--------------------|---|----|----|----|----|----|----|----|----|----|----|----|----|----|----|----|----|----|----|----|----|----|
|          |                | MATERIAL/PART  | WIRE DRESS OPTION | KEY OPTION<br>Fp | COLOR OPTION<br>Fp | NUMBERS INDICATE CAVITIES OPEN FOR CIRCUITS |    |    |    |    |    |    |    |    |    |    |    |    |    |    |    |    |    |    |    |    |    |
|          |                | NUMBER         |                   |                  |                    | Fp  |    |    |    |    |    |    |    |    |    |    |    |    |    |    |    |    |    |    |    |    |    |
| SALEABLE | NOT APPLICABLE | 34566-8613     | 0                 | C                | BLUE               | 52  | 71 | 70 |    |    | 67 | 66 | 65 | 64 |    |    | 61 | 60 | 59 | 58 | 57 |    |    | 54 |    |    |    |
|          |                |                |                   |                  |                    |   | 51 | 50 |    | 48 | 47 |    | 45 | 44 |    |    | 41 | 40 | 39 | 38 | 37 |    |    |    |    | 34 | 33 |
|          |                |                |                   |                  |                    | 73  |    |    |    | 32 |    |    |    | 28 | 27 |    | 25 |    | 23 |    |    |    |    |    |    |    | 18 |
| SALEABLE | NOT APPLICABLE | 34566-8623     | 9                 | C                | BLUE               |   |    |    |    | 68 |    |    | 65 |    | 63 | 62 | 61 |    | 59 | 58 | 57 | 56 | 55 |    | 53 |    |    |
|          |                |                |                   |                  |                    |   |    |    |    | 48 |    |    | 45 |    | 43 | 42 | 41 |    |    |    |    | 37 | 36 | 35 | 34 | 33 |    |
|          |                |                |                   |                  |                    | 73  |    |    |    | 32 | 31 |    |    |    |    |    |    |    |    |    |    |    |    | 20 | 19 | 18 |    |
| SALEABLE | NOT APPLICABLE | 34566-8633     | 0                 | B                | ST GRAY            | 72  |    |    |    |    |    |    |    |    |    | 62 | 61 |    |    |    |    |    |    |    |    |    |    |
|          |                |                |                   |                  |                    | 52  |    |    |    | 48 | 47 | 46 |    |    | 43 |    |    | 40 |    |    |    |    |    |    |    |    |    |
|          |                |                |                   |                  |                    | 73  |    |    |    |    |    |    | 30 |    |    |    |    |    |    |    |    | 22 | 21 | 20 | 19 | 18 | 17 |
| SALEABLE | NOT APPLICABLE | 34566-8643     | 0                 | C                | BLUE               |   | 71 | 70 |    |    | 67 | 66 |    | 64 |    |    | 61 | 60 |    |    | 57 |    |    | 54 |    |    |    |
|          |                |                |                   |                  |                    | 52  | 51 | 50 | 49 | 48 |    |    | 45 | 44 |    | 41 |    |    | 37 |    |    |    |    |    |    | 34 | 33 |
|          |                |                |                   |                  |                    | 73  |    |    |    | 32 |    |    |    | 28 | 27 |    | 25 |    |    |    |    |    |    |    |    |    | 18 |
| SALEABLE | NOT APPLICABLE | 34566-8653     | 9                 | C                | BLUE               |   | 71 |    | 69 |    | 67 | 66 | 65 | 64 | 63 |    | 61 | 60 |    |    | 57 |    |    |    |    |    |    |
|          |                |                |                   |                  |                    | 52  | 51 | 50 |    | 48 | 47 | 46 | 45 |    | 43 |    | 41 |    |    | 37 |    |    |    |    |    | 34 | 33 |
|          |                |                |                   |                  |                    | 73  |    |    |    |    |    |    |    | 28 | 27 |    | 25 |    |    |    |    |    |    |    |    |    |    |
| SALEABLE | NOT APPLICABLE | 34566-8663     | 0                 | B                | ST GRAY            | 72  | 71 | 70 | 69 |    |    |    |    | 64 | 63 |    | 61 | 60 |    |    | 58 | 57 | 56 | 55 |    |    |    |
|          |                |                |                   |                  |                    | 52  | 51 | 50 | 49 |    |    |    |    | 43 |    |    |    |    |    |    |    | 38 | 37 | 36 |    |    | 33 |
|          |                |                |                   |                  |                    | 73  |    |    |    | 32 |    |    | 30 | 29 | 28 |    | 26 | 25 | 24 | 23 | 22 | 21 | 20 |    |    |    |    |
| SALEABLE | NOT APPLICABLE | 34822-0223     | 0                 | A                | BLACK              | 64  | 63 | 62 | 61 | 60 | 59 |    |    |    |    | 54 | 53 |    | 51 |    | 49 | 66 |    |    |    |    |    |
|          |                |                |                   |                  |                    |   |    |    |    |    |    |    |    | 38 | 37 |    | 35 |    | 33 |    |    |    |    |    |    |    |    |
|          |                |                |                   |                  |                    | 65  |    |    |    |    | 31 |    |    | 28 |    |    | 24 | 23 | 22 | 21 | 20 | 19 | 18 | 17 |    |    |    |
| SALEABLE | NOT APPLICABLE | 34566-8673     | 0                 | F                | NATURAL            | 72  |    | 70 |    | 68 | 67 | 66 |    |    | 63 | 62 |    |    | 59 |    | 57 |    |    |    | 53 |    |    |
|          |                |                |                   |                  |                    | 52  | 51 |    | 49 | 48 | 47 | 46 |    | 44 |    | 41 | 40 | 39 |    | 37 | 36 | 35 | 34 | 33 |    |    |    |
|          |                |                |                   |                  |                    | 73  |    |    |    |    |    | 30 |    |    | 27 | 26 | 25 | 24 |    | 22 | 21 | 20 |    |    |    |    |    |
| SALEABLE | NOT APPLICABLE | 34566-8683     | 0                 | B                | ST GRAY            | 72  |    | 70 |    | 68 | 67 | 66 |    |    | 63 | 62 |    |    | 59 |    | 57 |    |    |    | 53 |    |    |
|          |                |                |                   |                  |                    | 52  | 51 |    | 49 | 48 | 47 | 46 |    | 44 |    | 41 | 40 | 39 |    | 37 | 36 | 35 | 34 | 33 |    |    |    |
|          |                |                |                   |                  |                    | 73  |    |    |    | 32 |    | 30 |    |    | 27 | 26 | 25 | 24 |    | 22 | 21 | 20 |    |    |    |    |    |
| SALEABLE | NOT APPLICABLE | 34566-8693     | 0                 | A                | BLACK              |   |    |    |    | 68 | 67 | 66 |    |    | 63 | 62 |    |    | 59 |    | 57 |    |    | 53 |    |    |    |
|          |                |                |                   |                  |                    | 52  | 51 |    | 49 | 48 | 47 | 46 |    | 44 |    | 41 | 40 | 39 |    | 37 | 36 | 35 | 34 | 33 |    |    |    |
|          |                |                |                   |                  |                    | 73  |    |    |    | 32 |    | 30 |    |    | 27 | 26 | 25 | 24 |    | 22 | 21 | 20 |    |    |    |    |    |
| SALEABLE | NOT APPLICABLE | 34566-8713     | 9                 | B                | ST GRAY            | 72  | 71 | 70 | 69 |    |    |    |    | 64 | 63 |    |    | 61 | 60 |    |    | 58 | 57 | 56 | 55 |    |    |
|          |                |                |                   |                  |                    | 52  | 51 | 50 | 49 |    |    |    |    | 43 |    |    |    |    |    |    |    | 38 | 37 | 36 |    |    | 33 |
|          |                |                |                   |                  |                    | 73  |    |    |    | 32 |    | 30 | 29 | 28 |    | 26 | 25 | 24 | 23 | 22 | 21 | 20 |    |    |    |    |    |
| SALEABLE | NOT APPLICABLE | 34566-8723     | 0                 | C                | BLUE               |   | 71 | 70 |    |    |    | 66 |    | 64 |    |    | 61 | 60 |    |    | 57 |    |    | 54 |    |    |    |
|          |                |                |                   |                  |                    | 52  | 51 | 50 | 49 | 48 |    |    | 45 | 44 |    | 41 |    |    | 37 |    |    |    |    |    |    | 34 | 33 |
|          |                |                |                   |                  |                    | 73  |    |    |    | 32 |    |    |    | 28 | 27 |    | 25 |    |    |    |    |    |    |    |    |    | 18 |
| SALEABLE | NOT APPLICABLE | 34566-8733     | 0                 | A                | BLACK              | 72  | 71 | 70 | 69 | 68 |    | 66 | 65 | 64 | 63 |    |    | 60 |    |    | 57 | 56 |    |    | 54 |    |    |
|          |                |                |                   |                  |                    | 52  | 51 | 50 | 49 | 48 |    | 46 | 45 | 44 | 43 | 42 |    | 40 | 39 | 38 | 37 | 36 |    |    |    | 34 |    |
|          |                |                |                   |                  |                    | 73  |    |    |    | 32 | 31 | 30 | 29 | 28 |    |    |    |    | 23 | 22 | 21 | 20 |    |    |    |    |    |
| SALEABLE | NOT APPLICABLE | 34566-8743     | 0                 | C                | BLUE               |   |    |    |    | 67 | 66 |    | 64 |    |    |    |    |    |    |    |    |    |    | 54 |    |    |    |
|          |                |                |                   |                  |                    | 52  | 51 | 50 | 49 |    | 47 | 46 |    | 44 |    |    |    |    | 39 | 38 |    |    |    |    |    |    |    |
|          |                |                |                   |                  |                    | 73  |    |    |    |    |    | 30 | 29 | 28 | 27 | 26 | 25 | 24 | 23 | 22 | 21 |    |    |    |    |    |    |
| SALEABLE | NOT APPLICABLE | 34566-8753     | 0                 | B                | ST GRAY            | 72  | 71 | 70 | 69 | 68 | 67 | 66 | 65 | 64 | 63 |    | 61 | 60 |    |    | 58 | 57 | 56 | 55 | 54 | 53 |    |
|          |                |                |                   |                  |                    | 52  | 51 | 50 | 49 | 48 | 47 | 46 | 45 | 44 | 43 |    | 40 |    |    |    | 37 | 36 | 35 | 34 | 33 |    |    |
|          |                |                |                   |                  |                    | 73  |    |    |    | 32 |    | 30 | 29 | 28 |    | 26 | 25 | 24 |    | 21 |    | 19 |    |    |    |    |    |



MX123 52/66/73/80-WAY RECEPTACLE ASSY SEALED PIN OUT SHEET

| STATUS   | GM PART #      | HRNS CONN ASSY |                   |                  | TPA                | GROMMET CAP                                 |    |    |    |    |    |    |    |    |    |    |    |    |    |    |    |    |    |    |    |    |    |    |
|----------|----------------|----------------|-------------------|------------------|--------------------|---|----|----|----|----|----|----|----|----|----|----|----|----|----|----|----|----|----|----|----|----|----|----|
|          |                | MATERIAL/PART  | WIRE DRESS OPTION | KEY OPTION<br>Fp | COLOR OPTION<br>Fp | NUMBERS INDICATE CAVITIES OPEN FOR CIRCUITS |    |    |    |    |    |    |    |    |    |    |    |    |    |    |    |    |    |    |    |    |    |    |
|          |                | NUMBER         |                   |                  |                    | Fp  |    |    |    |    |    |    |    |    |    |    |    |    |    |    |    |    |    |    |    |    |    |    |
| SALEABLE | NOT APPLICABLE | 34566-8763     | 0                 | A                | BLACK              | 72  | 71 | 70 |    |    |    | 67 | 66 |    |    |    |    |    | 59 | 58 | 57 | 56 | 55 | 54 | 53 |    |    |    |
|          |                |                |                   |                  |                    | 52  | 51 | 50 |    |    |    | 47 | 46 |    |    |    |    |    |    |    | 39 |    | 37 | 36 | 35 |    | 33 |    |
|          |                |                |                   |                  |                    | 73  |    |    |    | 32 | 31 | 30 | 29 | 28 | 27 | 26 |    |    |    |    |    | 21 |    |    |    |    | 18 | 17 |
| SALEABLE | 12672857       | 34822-0243     | 9                 | A                | BLACK              | 64  | 63 | 62 | 61 | 60 | 59 |    |    |    |    |    | 54 | 53 |    | 51 |    | 49 | 66 |    |    |    |    |    |
|          |                |                |                   |                  |                    |   | 47 |    |    |    |    |    |    |    |    | 38 | 37 |    | 35 |    | 33 |    |    |    |    |    |    |    |
|          |                |                |                   |                  |                    | 65  |    |    |    |    |    |    |    |    | 28 |    |    |    | 25 | 24 |    | 22 | 21 | 20 | 19 | 18 | 17 |    |
| SALEABLE | NOT APPLICABLE | 34822-0253     | 0                 | A                | BLACK              |   | 63 | 62 | 61 | 60 | 59 |    |    |    |    | 54 | 53 |    | 51 |    | 49 | 66 |    |    |    |    |    |    |
|          |                |                |                   |                  |                    |   |    |    |    |    |    |    |    |    |    | 38 | 37 |    | 35 |    | 33 |    |    |    |    |    |    |    |
|          |                |                |                   |                  |                    | 65  |    |    |    |    |    |    |    |    | 28 |    |    |    | 24 | 23 | 22 | 21 | 20 | 19 | 18 | 17 |    |    |
| SALEABLE | NOT APPLICABLE | 34822-0263     | 9                 | C                | BLUE               | 64  | 63 | 62 |    | 60 | 59 |    |    | 57 | 56 | 55 | 54 | 53 | 52 | 51 | 50 | 49 | 66 |    |    |    |    |    |
|          |                |                |                   |                  |                    | 48  | 47 | 46 | 45 |    |    |    |    |    |    | 39 |    | 37 | 36 | 35 | 34 | 33 |    |    |    |    |    |    |
|          |                |                |                   |                  |                    | 65  |    |    |    | 32 | 31 | 30 | 29 | 28 | 27 | 26 | 25 | 24 | 23 | 22 | 21 |    |    |    | 19 | 18 | 17 |    |
| SALEABLE | NOT APPLICABLE | 34822-0273     | 9                 | A                | BLACK              | 64  | 63 |    |    |    |    |    |    |    |    | 54 | 53 |    | 51 |    | 49 | 66 |    |    |    |    |    |    |
|          |                |                |                   |                  |                    |   | 47 |    |    |    |    |    |    |    |    | 38 | 37 |    | 35 |    | 33 |    |    |    |    |    |    |    |
|          |                |                |                   |                  |                    | 65  |    |    |    |    |    |    |    |    | 28 |    |    |    |    |    | 22 |    | 20 | 19 | 18 | 17 |    |    |
| SALEABLE | NOT APPLICABLE | 34822-0283     | 0                 | A                | BLACK              |   |    |    | 61 | 60 | 59 |    | 58 |    | 56 | 55 |    |    |    | 51 |    | 49 | 66 |    |    |    |    |    |
|          |                |                |                   |                  |                    |   |    |    |    |    |    |    |    |    |    |    |    |    |    |    |    |    |    |    |    |    |    |    |
|          |                |                |                   |                  |                    | 65  |    |    |    | 32 |    |    |    |    |    |    |    |    |    |    |    |    |    |    |    |    |    | 17 |
| SALEABLE | NOT APPLICABLE | 34822-0293     | 0                 | A                | BLACK              | 64  | 63 |    |    |    |    |    |    |    |    | 54 | 53 |    | 51 |    | 49 | 66 |    |    |    |    |    |    |
|          |                |                |                   |                  |                    |   | 47 |    |    |    |    |    |    |    |    | 38 | 37 |    | 35 |    | 33 |    |    |    |    |    |    |    |
|          |                |                |                   |                  |                    | 65  |    |    |    |    |    |    |    |    | 28 |    |    |    |    |    | 22 |    | 20 | 19 | 18 | 17 |    |    |
| SALEABLE | NOT APPLICABLE | 34566-8773     | 9                 | B                | ST GRAY            | 72  |    | 70 |    | 68 |    |    |    |    |    | 62 | 61 | 60 | 59 |    |    |    |    | 55 |    |    |    |    |
|          |                |                |                   |                  |                    | 52  |    |    |    | 48 | 47 | 46 |    |    |    | 43 |    |    | 40 |    |    |    |    |    |    |    |    |    |
|          |                |                |                   |                  |                    | 73  |    |    |    |    |    | 30 |    |    |    |    |    |    |    |    | 22 | 21 | 20 | 19 | 18 | 17 |    |    |
| SALEABLE | NOT APPLICABLE | 34566-8783     | 9                 | A                | BLACK              | 72  | 71 | 70 | 69 | 68 |    |    | 66 | 65 | 64 | 63 |    | 61 | 60 |    |    | 57 | 56 |    | 54 | 53 |    |    |
|          |                |                |                   |                  |                    | 52  | 51 | 50 | 49 | 48 |    |    | 46 | 45 | 44 | 43 |    |    | 40 | 39 | 38 | 37 | 36 |    |    | 34 | 33 |    |
|          |                |                |                   |                  |                    | 73  |    |    |    | 32 | 31 | 30 | 29 | 28 |    |    |    |    |    |    | 23 | 22 | 21 |    |    |    |    |    |
| SALEABLE | NOT APPLICABLE | 34566-8793     | 9                 | C                | BLUE               |   | 71 | 70 |    |    | 67 | 66 | 65 |    |    |    | 61 | 60 |    |    | 57 |    |    |    | 54 |    |    |    |
|          |                |                |                   |                  |                    | 52  | 51 | 50 | 49 | 48 | 47 |    | 45 | 44 |    |    |    | 41 |    |    | 37 |    |    |    |    | 34 | 33 |    |
|          |                |                |                   |                  |                    | 73  |    |    |    | 32 |    |    |    | 28 | 27 |    |    | 25 |    |    |    |    |    |    |    |    | 18 | 17 |
| SALEABLE | NOT APPLICABLE | 34566-8813     | 9                 | B                | ST GRAY            | 72  | 71 | 70 | 69 | 68 | 67 |    |    | 65 | 64 | 63 |    | 61 | 60 | 59 |    | 57 | 56 | 55 | 54 | 53 |    |    |
|          |                |                |                   |                  |                    | 52  | 51 | 50 | 49 | 48 | 47 | 46 | 45 | 44 | 43 | 42 |    |    | 40 | 39 |    |    | 36 | 35 | 34 | 33 |    |    |
|          |                |                |                   |                  |                    | 73  |    |    |    | 32 | 31 | 30 | 29 | 28 | 27 | 26 | 25 | 24 | 23 | 22 | 21 |    |    |    |    |    |    |    |
| SALEABLE | NOT APPLICABLE | 34566-8823     | 9                 | C                | BLUE               | 72  | 71 | 70 | 69 |    | 67 | 66 |    | 64 |    |    |    | 60 |    |    |    |    |    |    |    | 54 |    |    |
|          |                |                |                   |                  |                    | 52  | 51 | 50 | 49 |    | 47 | 46 |    | 44 |    |    |    | 40 | 39 |    |    |    |    |    |    |    |    |    |
|          |                |                |                   |                  |                    | 73  |    |    |    |    |    | 30 | 29 | 28 | 27 | 26 | 25 | 24 | 23 | 22 | 21 |    |    |    |    |    |    | 17 |
| SALEABLE | NOT APPLICABLE | 34566-8833     | 9                 | C                | BLUE               | 72  |    | 70 |    | 68 | 67 | 66 |    |    | 63 | 62 |    |    | 59 |    | 57 |    |    |    | 54 | 53 |    |    |
|          |                |                |                   |                  |                    | 52  | 51 |    | 49 | 48 | 47 | 46 |    | 44 |    |    |    | 41 | 40 | 39 |    | 37 | 36 | 35 | 34 | 33 |    |    |
|          |                |                |                   |                  |                    | 73  |    |    |    | 32 |    | 30 |    |    | 27 | 26 | 25 | 24 |    | 22 | 21 | 20 |    |    |    |    |    | 17 |
| SALEABLE | NOT APPLICABLE | 34566-8843     | 0                 | C                | BLUE               |   |    | 70 | 69 |    | 67 | 66 |    | 64 |    |    |    |    |    |    |    |    |    |    | 54 |    |    |    |
|          |                |                |                   |                  |                    | 52  | 51 | 50 | 49 |    | 47 | 46 |    | 44 |    |    |    | 41 |    | 39 | 38 |    |    |    |    |    |    |    |
|          |                |                |                   |                  |                    | 73  |    |    |    |    |    | 30 | 29 | 28 | 27 | 26 | 25 | 24 | 23 | 22 | 21 |    |    |    |    |    |    | 17 |
| SALEABLE | NOT APPLICABLE | 34566-8853     | 0                 | B                | ST GRAY            | 72  |    |    |    | 68 | 67 |    |    |    | 63 | 62 | 61 | 60 | 59 |    |    |    |    | 55 |    |    |    |    |
|          |                |                |                   |                  |                    | 52  |    |    |    | 48 | 47 | 46 |    | 44 | 43 |    | 41 | 40 |    | 38 | 37 | 36 | 35 |    |    |    |    |    |
|          |                |                |                   |                  |                    | 73  |    |    |    |    |    | 30 |    |    | 27 |    |    |    |    | 22 | 21 | 20 | 19 | 18 |    |    |    | 1  |





MX123 52/66/73/80-WAY RECEPTACLE ASSY SEALED PIN OUT SHEET

| STATUS   | GM PART #      | HRNS CONN ASSY |                   |                  | TPA                | GROMMET CAP                                 |    |    |    |    |    |    |    |    |    |    |    |    |    |    |    |    |    |    |    |    |    |    |    |
|----------|----------------|----------------|-------------------|------------------|--------------------|---|----|----|----|----|----|----|----|----|----|----|----|----|----|----|----|----|----|----|----|----|----|----|----|
|          |                | MATERIAL/PART  | WIRE DRESS OPTION | KEY OPTION<br>Fp | COLOR OPTION<br>Fp | NUMBERS INDICATE CAVITIES OPEN FOR CIRCUITS |    |    |    |    |    |    |    |    |    |    |    |    |    |    |    |    |    |    |    |    |    |    |    |
|          |                | NUMBER         |                   |                  |                    | Fp  |    |    |    |    |    |    |    |    |    |    |    |    |    |    |    |    |    |    |    |    |    |    |    |
| SALEABLE | NOT APPLICABLE | 34566-9143     | 9                 | F                | NATURAL            | 72  | 71 | 70 |    |    | 67 | 66 | 65 | 64 | 63 | 62 | 61 | 60 | 59 |    |    | 56 | 55 | 54 | 53 |    |    |    |    |
|          |                |                |                   |                  |                    | 52  | 51 | 50 | 49 | 48 | 47 | 46 | 45 | 44 |    |    |    |    |    |    |    |    |    | 36 | 35 | 34 |    |    |    |
|          |                |                |                   |                  |                    | 73  |    |    |    | 32 | 31 |    | 29 | 28 | 27 | 26 | 25 | 24 | 23 | 22 | 21 | 20 |    |    |    |    |    |    |    |
| SALEABLE | NOT APPLICABLE | 34566-9153     | 9                 | B                | ST GRAY            |   |    |    |    |    | 66 |    |    |    |    |    |    |    |    |    |    |    |    |    |    |    |    |    |    |
|          |                |                |                   |                  |                    |   |    |    |    |    |    |    |    |    |    | 41 |    |    |    |    |    |    | 38 | 37 |    |    |    |    |    |
|          |                |                |                   |                  |                    | 73  |    |    |    |    |    |    |    |    |    |    |    |    |    |    |    |    |    | 20 | 19 | 18 | 17 |    |    |
| SALEABLE | NOT APPLICABLE | 34566-9163     | 9                 | B                | ST GRAY            |   |    |    |    | 68 | 67 | 66 | 65 |    |    | 62 |    | 60 | 59 |    |    |    |    | 54 | 53 |    |    |    |    |
|          |                |                |                   |                  |                    |   |    |    |    | 48 | 47 | 46 | 45 | 44 |    | 42 | 41 | 40 | 39 |    |    |    |    |    |    | 35 | 34 |    |    |
|          |                |                |                   |                  |                    | 73  |    |    |    |    | 31 |    |    |    | 27 |    |    |    |    |    |    |    |    |    |    |    | 19 | 18 | 17 |
| SALEABLE | NOT APPLICABLE | 34566-9173     | 0                 | B                | ST GRAY            |   |    |    |    |    |    |    | 65 |    |    | 62 |    |    |    | 58 |    |    |    |    |    |    |    |    |    |
|          |                |                |                   |                  |                    |   |    |    |    |    |    |    |    |    |    | 41 |    |    |    |    |    |    | 38 | 37 |    |    |    |    |    |
|          |                |                |                   |                  |                    | 73  |    |    |    |    |    |    |    |    |    |    |    |    |    |    |    |    |    |    |    | 19 | 18 | 17 |    |
| SALEABLE | NOT APPLICABLE | 34822-0363     | 9                 | C                | BLUE               |   |    |    | 61 |    |    | 58 |    |    |    |    |    |    |    |    |    |    |    |    |    |    |    |    |    |
|          |                |                |                   |                  |                    |   |    |    |    | 44 | 43 |    | 41 | 40 |    | 38 |    |    |    |    |    |    |    |    |    |    |    |    |    |
|          |                |                |                   |                  |                    | 65  |    |    |    |    | 31 |    |    |    |    |    |    |    |    |    |    |    |    |    | 20 |    |    |    |    |
| SALEABLE | NOT APPLICABLE | 34822-0373     | 9                 | A                | BLACK              | 64  | 63 | 62 | 61 | 60 |    |    |    |    |    | 55 |    |    | 52 | 51 |    |    | 49 |    |    |    |    |    |    |
|          |                |                |                   |                  |                    | 48  | 47 | 46 | 45 |    |    |    |    |    |    | 38 |    |    |    |    |    |    |    |    |    |    |    |    |    |
|          |                |                |                   |                  |                    | 65  |    |    |    | 32 |    | 30 | 29 |    | 27 |    |    |    |    |    |    |    |    |    |    |    | 20 | 19 | 18 |
| SALEABLE | NOT APPLICABLE | 34822-0383     | 9                 | A                | BLACK              | 64  | 63 | 62 | 61 | 60 |    |    | 57 |    |    |    |    | 52 | 51 |    |    | 49 |    |    |    |    |    |    |    |
|          |                |                |                   |                  |                    | 48  | 47 | 46 | 45 |    |    |    |    | 40 |    |    |    |    |    |    |    |    |    |    |    |    |    |    |    |
|          |                |                |                   |                  |                    | 65  |    |    |    | 32 |    | 30 | 29 |    | 27 |    |    |    |    |    |    |    |    |    |    |    | 20 | 19 | 18 |
| SALEABLE | NOT APPLICABLE | 34822-0393     | 0                 | A                | BLACK              | 64  | 63 | 62 | 61 | 60 |    |    | 57 |    |    |    |    | 52 | 51 |    |    | 49 |    |    |    |    |    |    |    |
|          |                |                |                   |                  |                    | 48  | 47 | 46 | 45 |    |    |    |    |    |    | 38 |    |    |    |    |    |    |    |    |    |    |    |    |    |
|          |                |                |                   |                  |                    | 65  |    |    |    | 32 |    | 30 | 29 |    | 27 |    |    |    |    |    |    |    |    |    |    |    | 20 | 19 | 18 |
| SALEABLE | NOT APPLICABLE | 34822-0403     | 9                 | A                | BLACK              | 64  | 63 |    |    |    |    |    |    |    |    | 54 | 53 |    | 51 |    |    | 49 |    |    |    |    |    |    |    |
|          |                |                |                   |                  |                    |   |    |    |    |    |    |    |    |    |    | 38 | 37 |    | 35 |    |    |    |    |    |    |    |    |    |    |
|          |                |                |                   |                  |                    | 65  |    |    |    |    | 31 |    |    | 28 |    |    |    |    |    |    |    |    |    |    |    |    | 20 | 19 | 18 |
| SALEABLE | NOT APPLICABLE | 34822-0413     | 0                 | A                | BLACK              |   |    |    |    |    |    |    |    |    |    |    |    |    |    |    |    |    |    |    |    |    |    |    |    |
|          |                |                |                   |                  |                    |   |    |    |    |    |    |    |    |    |    |    |    |    |    |    |    |    |    |    |    |    |    |    |    |
|          |                |                |                   |                  |                    | 65  |    |    |    |    | 15 | 14 | 13 | 12 | 11 |    |    |    |    |    |    |    |    |    |    |    | 4  | 3  | 2  |
| SALEABLE | NOT APPLICABLE | 34822-0423     | 9                 | A                | BLACK              | 64  | 63 |    |    |    |    |    |    |    |    | 54 | 53 |    | 51 |    |    | 49 |    |    |    |    |    |    |    |
|          |                |                |                   |                  |                    |   |    |    |    |    |    |    |    |    |    | 38 | 37 |    | 35 |    |    |    |    |    |    |    |    |    |    |
|          |                |                |                   |                  |                    | 65  |    |    |    |    | 15 | 14 | 13 | 12 | 11 |    |    |    |    |    |    |    |    |    |    |    | 4  | 3  | 2  |
| SALEABLE | NOT APPLICABLE | 34566-9183     | 9                 | B                | ST GRAY            | 72  | 71 | 70 | 69 | 68 | 67 |    | 65 | 64 | 63 | 62 | 61 | 60 | 59 |    |    | 57 | 56 | 55 | 54 | 53 |    |    |    |
|          |                |                |                   |                  |                    | 52  | 51 | 50 | 49 | 48 | 47 | 46 | 45 | 44 | 43 | 42 |    | 40 | 39 |    |    |    |    |    |    | 36 | 35 | 34 | 33 |
|          |                |                |                   |                  |                    | 73  |    |    |    | 32 | 31 | 30 | 29 | 28 | 27 | 26 | 25 | 24 | 23 | 22 | 21 |    |    |    |    |    |    |    | 19 |
| SALEABLE | NOT APPLICABLE | 34566-9193     | 9                 | F                | NATURAL            |   |    |    | 69 | 68 |    |    |    |    |    |    |    |    |    |    |    |    |    |    |    |    |    |    |    |
|          |                |                |                   |                  |                    |   |    |    |    |    |    |    |    |    |    |    |    |    |    |    |    |    |    |    |    |    |    |    |    |
|          |                |                |                   |                  |                    | 73  |    |    |    |    |    | 30 |    |    |    |    |    |    |    |    |    |    |    |    |    |    |    | 19 | 18 |
| SALEABLE | NOT APPLICABLE | 34822-0433     | 0                 | A                | BLACK              | 64  | 63 | 62 |    | 60 | 59 |    | 57 | 56 | 55 | 54 | 53 | 52 | 51 | 50 | 49 |    |    |    |    |    |    |    |    |
|          |                |                |                   |                  |                    | 48  | 47 | 46 | 45 |    |    |    | 42 |    |    | 39 |    | 37 | 36 | 35 | 34 | 33 |    |    |    |    |    |    |    |
|          |                |                |                   |                  |                    | 65  |    |    |    | 32 |    | 30 | 29 | 28 | 27 | 26 | 25 | 24 | 23 | 22 | 21 |    |    |    |    |    | 20 | 19 | 18 |
| SALEABLE | NOT APPLICABLE | 34822-0443     | 0                 | A                | BLACK              | 64  | 63 | 62 |    | 60 | 59 |    | 57 | 56 | 55 | 54 | 53 | 52 | 51 | 50 | 49 |    |    |    |    |    |    |    |    |
|          |                |                |                   |                  |                    | 48  | 47 | 46 | 45 |    |    |    | 42 |    |    | 39 |    | 37 | 36 | 35 | 34 | 33 |    |    |    |    |    |    |    |
|          |                |                |                   |                  |                    | 65  |    |    |    | 32 | 31 | 30 | 29 | 28 | 27 | 26 | 25 | 24 | 23 | 22 | 21 |    |    |    |    |    | 20 | 19 | 18 |



MX123 52/66/73/80-WAY RECEPTACLE ASSY SEALED PIN OUT SHEET

| STATUS   | GM PART #      | HRNS CONN ASSY |                   |                  | TPA                | GROMMET CAP                                 |    |    |    |    |    |    |    |    |    |    |    |    |    |    |    |    |    |    |    |    |    |    |    |
|----------|----------------|----------------|-------------------|------------------|--------------------|---|----|----|----|----|----|----|----|----|----|----|----|----|----|----|----|----|----|----|----|----|----|----|----|
|          |                | MATERIAL/PART  | WIRE DRESS OPTION | KEY OPTION<br>Fp | COLOR OPTION<br>Fp | NUMBERS INDICATE CAVITIES OPEN FOR CIRCUITS |    |    |    |    |    |    |    |    |    |    |    |    |    |    |    |    |    |    |    |    |    |    |    |
|          |                | NUMBER         |                   |                  |                    | Fp  |    |    |    |    |    |    |    |    |    |    |    |    |    |    |    |    |    |    |    |    |    |    |    |
| SALEABLE | NOT APPLICABLE | 34566-9323     | 9                 | A                | BLACK              | 72  |    |    |    |    |    |    |    |    | 64 |    | 62 | 61 |    | 59 | 58 | 57 | 56 | 55 | 54 | 53 |    |    |    |
|          |                |                |                   |                  |                    | 52  | 51 |    |    | 48 |    | 46 | 45 |    | 43 |    | 41 | 40 |    |    |    |    |    |    |    | 20 |    |    |    |
|          |                |                |                   |                  |                    | 73  |    |    |    | 32 |    | 30 | 29 |    | 27 |    | 25 |    |    |    |    |    |    |    |    |    | 4  | 3  |    |
| SALEABLE | NOT APPLICABLE | 34566-9333     | 9                 | A                | BLACK              | 72  |    |    |    |    |    |    |    |    | 64 |    | 62 | 61 |    | 59 | 58 | 57 | 56 | 55 | 54 | 53 |    |    |    |
|          |                |                |                   |                  |                    | 52  | 51 |    |    | 48 |    | 46 | 45 |    | 43 |    | 41 | 40 |    |    |    |    |    |    |    | 37 |    | 35 | 34 |
|          |                |                |                   |                  |                    | 73  |    |    |    | 32 |    | 30 | 29 |    | 27 |    | 25 |    |    |    |    |    |    |    |    |    | 20 |    |    |
| SALEABLE | NOT APPLICABLE | 34566-9343     | 9                 | C                | BLUE               | 72  |    | 70 | 69 | 68 |    | 66 |    |    |    | 63 | 62 |    |    |    | 58 |    |    | 56 | 55 |    | 53 |    |    |
|          |                |                |                   |                  |                    |   |    |    | 49 |    |    | 46 |    |    | 43 | 42 |    | 40 |    |    |    | 38 |    |    | 36 | 35 |    |    |    |
|          |                |                |                   |                  |                    | 73  |    |    |    |    |    | 31 | 30 | 29 |    |    | 26 |    | 24 |    |    |    | 22 | 21 |    | 20 | 19 |    | 17 |
| SALEABLE | NOT APPLICABLE | 34822-0503     | 0                 | A                | BLACK              | 64  |    | 62 | 61 | 60 | 59 | 58 |    |    |    | 54 | 53 |    | 51 |    |    |    |    |    |    |    |    |    |    |
|          |                |                |                   |                  |                    | 48  | 47 |    |    |    |    |    |    |    | 38 | 37 | 36 |    | 34 |    |    |    |    |    |    |    |    |    | 66 |
|          |                |                |                   |                  |                    | 65  |    |    |    |    |    | 30 | 29 | 28 |    |    | 26 |    | 24 |    |    |    | 21 |    |    |    |    |    | 4  |
| SALEABLE | NOT APPLICABLE | 34822-0513     | 9                 | A                | BLACK              |   | 63 | 62 | 61 |    | 59 |    |    |    |    | 54 | 53 |    |    |    |    |    | 49 |    |    |    |    |    |    |
|          |                |                |                   |                  |                    |   |    |    |    |    |    |    |    |    | 38 | 37 |    | 35 |    |    |    |    |    | 33 |    |    |    |    | 66 |
|          |                |                |                   |                  |                    | 65  |    |    |    |    |    | 31 |    | 28 |    |    |    | 24 |    |    |    | 22 | 21 |    | 20 | 19 | 18 | 17 |    |
| SALEABLE | NOT APPLICABLE | 34566-9353     | 9                 | A                | BLACK              | 72  |    |    |    |    |    |    |    |    | 64 |    | 62 | 61 |    |    | 58 | 57 | 56 | 55 | 54 | 53 |    |    |    |
|          |                |                |                   |                  |                    | 52  | 51 |    |    | 48 |    | 46 | 45 |    | 43 |    | 41 | 40 |    |    |    |    |    |    |    | 37 |    | 35 | 34 |
|          |                |                |                   |                  |                    | 73  |    |    |    | 32 |    | 30 | 29 |    | 27 |    | 25 |    |    |    |    |    |    |    |    |    | 20 |    |    |
| SALEABLE | NOT APPLICABLE | 34566-9363     | 9                 | A                | BLACK              | 72  |    |    |    |    |    |    |    |    | 64 |    | 62 | 61 |    |    |    |    | 57 | 56 | 55 | 54 | 53 |    |    |
|          |                |                |                   |                  |                    | 52  | 51 |    |    |    |    | 46 | 45 |    | 43 |    |    | 40 |    |    |    |    |    |    |    | 37 |    | 35 | 34 |
|          |                |                |                   |                  |                    | 73  |    |    |    | 32 |    | 30 | 29 |    | 27 |    | 25 |    |    |    |    |    |    |    |    |    | 20 |    |    |
| SALEABLE | NOT APPLICABLE | 34566-9373     | 9                 | G                | BLUE               | 80  |    |    |    |    |    |    |    |    |    |    |    |    |    | 66 |    |    | 64 |    |    |    |    |    |    |
|          |                |                |                   |                  |                    |   | 59 |    | 57 |    |    |    |    |    |    |    | 49 |    |    |    |    |    |    |    |    |    |    |    |    |
|          |                |                |                   |                  |                    |   | 39 |    |    |    |    |    |    |    |    |    | 30 |    |    |    |    |    |    |    |    |    |    |    |    |
| SALEABLE | NOT APPLICABLE | 34566-9383     | 9                 | A                | BLACK              | 72  | 71 | 70 | 69 | 68 |    |    |    |    | 64 | 63 | 62 | 61 |    | 59 | 58 | 57 | 56 | 55 | 54 | 53 |    |    |    |
|          |                |                |                   |                  |                    | 52  | 51 | 50 |    | 48 | 47 | 46 | 45 | 44 | 43 |    | 41 | 40 | 39 | 38 | 37 |    |    |    |    | 35 | 34 | 33 |    |
|          |                |                |                   |                  |                    | 73  |    |    |    | 32 |    | 30 | 29 |    | 27 | 26 | 25 | 24 |    |    |    |    |    |    |    |    | 20 | 19 | 18 |
| SALEABLE | NOT APPLICABLE | 34566-9393     | 0                 | B                | ST GRAY            | 72  | 71 | 70 | 69 | 68 | 67 |    | 65 | 64 | 63 |    | 61 | 60 | 59 |    |    | 57 | 56 | 55 | 54 | 53 |    |    |    |
|          |                |                |                   |                  |                    | 52  | 51 | 50 | 49 | 48 | 47 | 46 | 45 | 44 | 43 | 42 |    | 40 | 39 |    |    |    |    |    | 36 | 35 | 34 | 33 |    |
|          |                |                |                   |                  |                    | 73  |    |    |    | 32 | 31 | 30 | 29 | 28 | 27 | 26 | 25 | 24 | 23 | 22 | 21 | 20 |    |    |    |    |    |    |    |
| SALEABLE | NOT APPLICABLE | 34566-9413     | 9                 | H                | ST GRAY            |   |    |    |    |    |    |    |    |    |    |    |    |    |    |    |    |    |    |    |    |    |    |    |    |
|          |                |                |                   |                  |                    |   |    |    |    |    |    |    |    |    |    |    |    |    |    |    |    |    |    |    |    |    |    |    |    |
|          |                |                |                   |                  |                    |   |    |    |    |    |    |    |    |    |    |    |    |    |    |    |    |    |    |    |    |    |    |    |    |
| SALEABLE | NOT APPLICABLE | 34566-9423     | 0                 | A                | BLACK              | 72  | 71 | 70 |    |    | 67 | 66 |    |    |    |    |    |    |    | 58 | 57 | 56 | 55 | 54 | 53 |    |    |    |    |
|          |                |                |                   |                  |                    | 52  | 51 | 50 |    |    | 47 | 46 |    |    |    |    |    |    |    |    |    | 39 |    | 37 | 36 | 35 |    | 33 |    |
|          |                |                |                   |                  |                    | 73  |    |    |    | 32 | 31 | 30 | 29 | 28 | 27 | 26 |    |    |    |    |    |    |    |    |    |    |    | 18 | 17 |
| SALEABLE | NOT APPLICABLE | 34566-9433     | 0                 | B                | ST GRAY            | 72  | 71 | 70 | 69 | 68 | 67 | 66 | 65 | 64 | 63 |    | 61 |    |    | 58 | 57 | 56 | 55 | 54 | 53 |    |    |    |    |
|          |                |                |                   |                  |                    | 52  | 51 | 50 | 49 | 48 | 47 | 46 | 45 | 44 |    |    |    | 40 | 39 |    |    |    |    |    | 37 | 36 | 35 | 34 | 33 |
|          |                |                |                   |                  |                    | 73  |    |    |    |    |    | 30 | 29 | 28 | 27 | 26 | 25 | 24 |    |    |    |    | 21 |    |    |    |    |    |    |
| SALEABLE | NOT APPLICABLE | 34566-9443     | 9                 | B                | ST GRAY            |   |    |    |    |    |    |    |    |    |    |    |    |    |    |    |    |    |    |    |    |    |    |    |    |
|          |                |                |                   |                  |                    |   |    | 50 | 49 | 48 | 47 | 46 |    | 65 | 64 | 63 | 62 | 61 | 60 | 59 |    | 57 | 56 | 55 | 54 | 53 |    |    |    |
|          |                |                |                   |                  |                    | 73  |    |    |    | 32 | 31 | 30 | 29 | 28 | 27 | 26 | 25 | 24 | 23 | 22 | 21 |    |    |    |    |    |    |    |    |
| SALEABLE | NOT APPLICABLE | 34566-9453     | 0                 | A                | BLACK              | 72  | 71 | 70 | 69 |    | 67 |    |    | 64 |    |    | 61 | 60 | 59 |    |    | 57 | 56 | 55 | 54 | 53 |    |    |    |
|          |                |                |                   |                  |                    | 52  | 51 |    |    | 48 |    |    | 45 | 44 |    |    | 41 | 40 | 39 | 38 | 37 | 36 | 35 | 34 |    |    |    |    |    |
|          |                |                |                   |                  |                    | 73  |    |    |    |    |    | 31 | 30 | 29 |    | 27 | 26 | 25 |    |    | 22 |    |    |    |    | 19 | 18 |    |    |



MX123 52/66/73/80-WAY RECEPTACLE ASSY SEALED PIN OUT SHEET

| STATUS   | GM PART #      | HRNS CONN ASSY |                   |                  | TPA                | GROMMET CAP                                 |    |    |    |    |    |    |    |    |    |    |    |    |    |    |    |    |    |    |    |    |    |
|----------|----------------|----------------|-------------------|------------------|--------------------|---|----|----|----|----|----|----|----|----|----|----|----|----|----|----|----|----|----|----|----|----|----|
|          |                | MATERIAL/PART  | WIRE DRESS OPTION | KEY OPTION<br>Fp | COLOR OPTION<br>Fp | NUMBERS INDICATE CAVITIES OPEN FOR CIRCUITS |    |    |    |    |    |    |    |    |    |    |    |    |    |    |    |    |    |    |    |    |    |
|          |                | NUMBER         |                   |                  |                    | Fp  |    |    |    |    |    |    |    |    |    |    |    |    |    |    |    |    |    |    |    |    |    |
| SALEABLE | NOT APPLICABLE | 34566-9633     | 9                 | B                | ST GRAY            | 72  | 71 | 70 | 69 | 68 | 67 |    | 65 | 64 | 63 |    | 61 | 60 | 59 |    | 57 | 56 | 55 | 54 | 53 |    |    |
|          |                |                |                   |                  |                    | 52  | 51 | 50 | 49 | 48 | 47 | 46 | 45 | 44 | 43 | 42 |    | 40 | 39 |    |    |    | 36 | 35 | 34 | 33 |    |
|          |                |                |                   |                  |                    | 73  |    |    |    | 32 | 31 | 30 | 29 | 28 | 27 | 26 | 25 | 24 | 23 | 22 | 21 | 20 |    |    |    | 3  | 2  |
| SALEABLE | NOT APPLICABLE | 34566-9643     | 9                 | A                | BLACK              |   |    |    | 69 |    |    |    |    | 64 | 63 |    | 61 |    | 59 |    |    |    |    |    |    |    |    |
|          |                |                |                   |                  |                    | 52  |    |    |    | 48 |    |    |    | 44 | 43 |    | 41 |    | 39 | 38 |    |    |    | 35 | 34 |    |    |
|          |                |                |                   |                  |                    | 73  |    |    |    |    |    | 30 | 29 |    |    |    |    |    |    |    | 10 |    |    |    |    | 5  |    |
| SALEABLE | NOT APPLICABLE | 34566-9653     | 9                 | G                | BLUE               | 80  |    |    |    |    |    |    |    |    |    |    |    |    | 66 | 65 |    |    |    |    |    |    |    |
|          |                |                |                   |                  |                    |   | 59 |    | 57 |    |    |    |    |    |    |    |    |    |    |    |    |    |    |    |    |    |    |
|          |                |                |                   |                  |                    |   | 39 |    |    |    |    |    |    |    |    | 30 |    |    |    |    |    |    |    |    |    |    |    |
| SALEABLE | NOT APPLICABLE | 34566-9663     | 0                 | B                | ST GRAY            | 72  | 71 | 70 | 69 | 68 | 67 | 66 | 65 | 64 | 63 |    | 61 |    |    | 58 | 57 | 56 | 55 | 54 | 53 |    |    |
|          |                |                |                   |                  |                    | 52  | 51 | 50 | 49 | 48 | 47 | 46 | 45 | 44 |    |    | 40 |    |    |    | 37 | 36 | 35 | 34 | 33 |    |    |
|          |                |                |                   |                  |                    | 73  |    |    |    | 32 |    | 30 | 29 | 28 |    | 26 | 25 | 24 |    |    | 21 |    |    |    |    |    | 2  |
| SALEABLE | NOT APPLICABLE | 34822-0533     | 9                 | C                | BLUE               | 64  | 63 |    |    | 60 | 59 |    | 57 | 56 | 55 |    | 53 | 52 | 51 | 50 | 49 | 66 |    |    |    |    |    |
|          |                |                |                   |                  |                    | 48  | 47 | 46 | 45 |    |    | 42 |    |    | 39 | 38 |    | 36 | 35 | 34 | 33 |    |    |    |    |    |    |
|          |                |                |                   |                  |                    | 65  |    |    |    | 32 |    | 30 | 29 | 28 | 27 | 26 | 25 | 24 | 23 | 22 |    |    | 20 |    |    | 18 | 17 |
| SALEABLE | NOT APPLICABLE | 34822-0543     | 0                 | A                | BLACK              | 64  | 63 | 62 | 61 | 60 | 59 |    |    |    |    | 54 | 53 |    | 51 |    | 49 | 66 |    |    |    |    |    |
|          |                |                |                   |                  |                    |   | 47 |    |    |    |    |    |    |    | 38 | 37 |    | 35 |    |    | 33 |    |    |    |    |    |    |
|          |                |                |                   |                  |                    | 65  |    |    |    |    |    |    |    | 28 |    |    | 25 | 24 |    | 22 | 21 | 20 | 19 | 18 | 17 |    |    |
| SALEABLE | NOT APPLICABLE | 34822-0553     | 0                 | A                | BLACK              | 64  | 63 |    |    |    |    |    |    |    | 54 | 53 |    | 51 |    | 49 | 66 |    |    |    |    |    |    |
|          |                |                |                   |                  |                    |   |    |    |    |    |    |    |    | 38 | 37 |    | 35 |    |    | 33 |    |    |    |    |    |    |    |
|          |                |                |                   |                  |                    | 65  |    |    |    |    | 31 |    |    | 28 |    |    |    | 24 | 23 |    | 21 | 20 | 19 | 18 | 17 |    |    |
| SALEABLE | NOT APPLICABLE | 34822-0563     | 0                 | C                | BLUE               | 64  | 63 | 62 |    | 60 | 59 |    | 57 | 56 | 55 | 54 | 53 | 52 | 51 | 50 | 49 | 66 |    |    |    |    |    |
|          |                |                |                   |                  |                    | 48  | 47 | 46 | 45 |    |    | 42 |    |    | 39 |    | 37 | 36 | 35 | 34 | 33 |    |    |    |    |    |    |
|          |                |                |                   |                  |                    | 65  |    |    |    | 32 |    | 30 | 29 | 28 | 27 | 26 |    | 24 | 23 | 22 |    |    |    | 19 | 18 | 17 |    |
| SALEABLE | NOT APPLICABLE | 34566-9673     | 0                 | C                | BLUE               | 72  | 71 | 70 | 69 |    | 67 | 66 | 65 | 64 |    |    |    | 60 |    |    | 56 |    |    |    |    |    |    |
|          |                |                |                   |                  |                    | 52  | 51 | 50 | 49 |    | 47 | 46 | 45 | 44 |    |    |    | 40 | 39 | 38 |    |    |    |    |    |    | 34 |
|          |                |                |                   |                  |                    | 73  |    |    |    |    | 31 | 30 |    | 28 |    | 26 | 25 | 24 | 23 | 22 | 21 | 20 |    |    |    |    |    |
| SALEABLE | NOT APPLICABLE | 34566-9683     | 0                 | B                | ST GRAY            | 72  | 71 | 70 | 69 | 68 | 67 | 66 | 65 | 64 | 63 |    | 61 | 60 |    | 57 | 56 | 55 | 54 |    |    |    |    |
|          |                |                |                   |                  |                    | 52  | 51 | 50 | 49 | 48 | 47 | 46 | 45 | 44 | 43 |    | 41 | 40 |    | 38 | 37 | 36 | 35 |    |    | 33 |    |
|          |                |                |                   |                  |                    | 73  |    |    |    | 32 | 31 | 30 | 29 | 28 |    | 26 |    | 24 | 23 | 22 | 21 | 20 | 19 |    |    |    |    |
| SALEABLE | NOT APPLICABLE | 34566-9693     | 0                 | A                | BLACK              | 72  |    | 70 |    |    | 67 |    |    |    |    | 63 |    |    | 60 | 59 | 58 | 57 | 56 | 55 | 53 |    |    |
|          |                |                |                   |                  |                    | 52  | 51 |    |    | 48 | 47 |    |    |    | 43 | 42 |    | 40 | 39 | 38 | 37 | 36 | 35 |    |    | 33 |    |
|          |                |                |                   |                  |                    | 73  |    |    |    |    |    |    |    | 28 |    |    |    |    |    |    |    |    |    |    |    |    | 18 |
| SALEABLE | NOT APPLICABLE | 34566-9713     | 0                 | B                | ST GRAY            |   |    |    |    | 68 | 67 | 66 | 65 | 64 |    |    |    |    | 59 | 58 | 57 |    | 55 | 54 | 53 |    |    |
|          |                |                |                   |                  |                    |   | 51 | 50 | 49 | 48 |    | 46 | 45 |    | 43 | 42 |    | 40 | 39 | 38 | 37 |    |    | 35 |    |    | 33 |
|          |                |                |                   |                  |                    | 73  |    |    |    | 32 | 31 | 30 |    |    |    | 26 |    | 24 | 23 | 22 |    | 20 |    |    |    |    |    |
| SALEABLE | NOT APPLICABLE | 34566-9723     | 0                 | B                | ST GRAY            |   |    |    |    |    |    |    |    |    |    |    |    |    |    |    |    |    |    |    |    |    |    |
|          |                |                |                   |                  |                    |   | 51 | 50 | 49 | 48 | 47 | 46 | 45 |    | 43 |    |    | 40 |    |    | 37 | 36 |    |    |    |    |    |
|          |                |                |                   |                  |                    | 73  |    |    |    | 32 |    | 30 | 29 | 28 |    | 26 | 25 | 24 |    |    | 21 |    |    | 19 |    |    |    |
| SALEABLE | NOT APPLICABLE | 34566-9733     | 0                 | A                | BLACK              | 72  | 71 | 70 |    |    | 67 | 66 |    |    |    |    |    | 59 |    |    |    |    |    |    | 53 |    |    |
|          |                |                |                   |                  |                    | 52  | 51 | 50 |    |    | 47 | 46 |    |    |    |    |    | 39 |    |    | 37 |    |    | 35 |    |    | 33 |
|          |                |                |                   |                  |                    | 73  |    |    |    |    |    | 30 | 29 | 28 | 27 | 26 |    |    |    | 21 |    |    |    |    |    |    |    |
| SALEABLE | NOT APPLICABLE | 34822-0573     | 0                 | A                | BLACK              | 64  | 63 |    |    |    |    |    |    |    |    | 54 | 53 |    | 51 |    | 49 | 66 |    |    |    |    |    |
|          |                |                |                   |                  |                    |   |    |    |    |    |    |    |    |    | 38 | 37 |    | 35 |    |    | 33 |    |    |    |    |    |    |
|          |                |                |                   |                  |                    | 65  |    |    |    |    |    |    |    | 28 |    |    |    | 24 |    | 22 |    |    | 20 | 19 | 18 | 17 |    |





MX123 52/66/73/80-WAY RECEPTACLE ASSY SEALED PIN OUT SHEET

| STATUS   | GM PART #      | HRNS CONN ASSY |                   |                  | TPA                | GROMMET CAP                                 |    |    |    |    |    |    |    |    |    |    |    |    |    |    |    |    |    |    |    |    |    |
|----------|----------------|----------------|-------------------|------------------|--------------------|---|----|----|----|----|----|----|----|----|----|----|----|----|----|----|----|----|----|----|----|----|----|
|          |                | MATERIAL/PART  | WIRE DRESS OPTION | KEY OPTION<br>Fp | COLOR OPTION<br>Fp | NUMBERS INDICATE CAVITIES OPEN FOR CIRCUITS |    |    |    |    |    |    |    |    |    |    |    |    |    |    |    |    |    |    |    |    |    |
|          |                | NUMBER         |                   |                  |                    | Fp  |    |    |    |    |    |    |    |    |    |    |    |    |    |    |    |    |    |    |    |    |    |
| SALEABLE | NOT APPLICABLE | 34822-0653     | 0                 | A                | BLACK              | 64  | 63 | 62 | 61 |    | 59 |    |    |    |    | 54 | 53 |    |    | 49 | 66 |    |    |    |    |    |    |
|          |                |                |                   |                  |                    |   |    |    |    |    | 31 |    |    | 28 |    |    |    | 24 |    | 22 | 21 | 20 | 19 | 18 | 17 |    |    |
|          |                |                |                   |                  |                    | 65  |    |    |    |    | 15 | 14 | 13 | 12 |    |    |    | 8  | 7  |    |    |    | 4  | 3  | 2  | 1  |    |
| SALEABLE | NOT APPLICABLE | 34566-9833     | 9                 | B                | ST GRAY            | 72  | 71 | 70 | 69 | 68 | 67 |    |    | 64 | 63 |    | 61 |    |    | 58 | 57 | 56 | 55 | 54 | 53 |    |    |
|          |                |                |                   |                  |                    | 52  | 51 | 50 | 49 | 48 | 47 |    |    | 44 | 43 |    | 41 |    |    | 38 | 37 | 36 |    |    |    | 33 |    |
|          |                |                |                   |                  |                    | 73  |    |    |    |    | 32 |    | 30 | 29 | 28 |    | 26 | 25 | 24 | 23 | 22 | 21 | 20 |    |    |    |    |
| SALEABLE | NOT APPLICABLE | 34566-9843     | 9                 | A                | BLACK              | 72  | 71 | 70 |    |    | 67 | 66 | 65 | 64 | 63 | 62 | 61 |    |    | 59 |    |    |    | 55 | 54 | 53 |    |
|          |                |                |                   |                  |                    | 52  | 51 | 50 |    |    | 47 | 46 | 45 | 44 | 43 | 42 | 41 | 40 | 39 |    |    | 37 | 36 | 35 | 34 | 33 |    |
|          |                |                |                   |                  |                    | 73  |    |    |    |    |    |    | 30 | 29 |    |    |    |    |    |    |    |    |    |    |    | 18 | 17 |
| SALEABLE | NOT APPLICABLE | 34566-9853     | 9                 | B                | ST GRAY            | 72  | 71 | 70 | 69 | 68 | 67 |    |    | 65 | 64 | 63 | 62 | 61 | 60 | 59 | 58 | 57 | 56 | 55 | 54 | 53 |    |
|          |                |                |                   |                  |                    | 52  | 51 | 50 | 49 | 48 | 47 | 46 | 45 | 44 | 43 | 42 |    | 40 | 39 |    |    | 36 | 35 | 34 | 33 |    |    |
|          |                |                |                   |                  |                    | 73  |    |    |    |    | 32 | 31 | 30 | 29 | 28 | 27 | 26 | 25 | 24 | 23 | 22 | 21 | 20 |    |    |    |    |
| SALEABLE | NOT APPLICABLE | 34566-9863     | 0                 | B                | ST GRAY            | 72  | 71 | 70 | 69 | 68 | 67 |    |    | 65 | 64 | 63 | 62 | 61 | 60 | 59 |    |    | 57 | 56 | 55 | 54 | 53 |
|          |                |                |                   |                  |                    | 52  | 51 | 50 | 49 | 48 | 47 | 46 | 45 | 44 | 43 | 42 |    | 40 | 39 |    |    | 36 | 35 | 34 | 33 |    |    |
|          |                |                |                   |                  |                    | 73  |    |    |    |    | 32 | 31 | 30 | 29 | 28 | 27 | 26 | 25 | 24 | 23 | 22 | 21 |    |    |    |    |    |
| SALEABLE | NOT APPLICABLE | 34566-0004     | 0                 | A                | BLACK              | 72  | 71 | 70 | 69 |    | 67 |    |    | 64 | 63 |    | 61 | 60 | 59 |    |    | 57 | 56 | 55 | 54 | 53 |    |
|          |                |                |                   |                  |                    | 52  | 51 |    |    | 48 |    |    | 45 | 44 | 43 |    | 41 | 40 | 39 | 38 | 37 | 36 | 35 | 34 | 33 |    |    |
|          |                |                |                   |                  |                    | 73  |    |    |    |    | 31 | 30 | 29 |    | 27 | 26 | 25 |    | 22 |    |    |    |    | 19 | 18 |    |    |
| SALEABLE | NOT APPLICABLE | 34566-0014     | 0                 | G                | BLUE               | 80  | 79 | 78 | 77 |    | 75 |    |    |    |    |    |    |    | 66 | 65 | 64 |    | 62 |    |    |    |    |
|          |                |                |                   |                  |                    |   | 59 |    | 57 |    |    |    |    |    |    |    |    |    | 46 |    |    | 43 | 42 | 41 |    |    |    |
|          |                |                |                   |                  |                    |   | 39 | 38 | 37 |    | 35 |    | 33 | 32 |    | 30 |    |    |    | 26 | 25 | 24 |    | 22 | 21 |    |    |
| SALEABLE | NOT APPLICABLE | 34566-0024     | 0                 | G                | BLUE               | 20  |    | 18 | 17 | 16 | 15 |    |    | 12 |    |    |    | 8  | 7  | 6  | 5  |    | 3  | 2  | 1  |    |    |
|          |                |                |                   |                  |                    |   |    |    |    |    |    |    |    |    |    |    |    |    |    |    |    |    |    |    |    |    |    |
|          |                |                |                   |                  |                    |   |    |    |    |    |    |    |    |    |    |    |    |    |    |    |    |    |    |    |    |    |    |
| SALEABLE | NOT APPLICABLE | 34566-0034     | 0                 | G                | BLUE               | 80  | 79 | 78 |    |    | 75 |    |    |    |    |    |    |    | 66 | 65 | 64 |    | 62 |    |    |    |    |
|          |                |                |                   |                  |                    |   | 59 |    | 57 |    |    |    | 53 |    |    |    |    |    | 46 |    |    | 43 | 42 | 41 |    |    |    |
|          |                |                |                   |                  |                    |   | 39 | 38 | 37 |    | 35 |    | 33 | 32 |    | 30 |    |    |    | 26 | 25 | 24 |    | 22 | 21 |    |    |
| SALEABLE | NOT APPLICABLE | 34566-0044     | 0                 | A                | BLACK              | 72  | 71 | 70 | 69 |    | 67 |    |    | 64 |    |    | 61 | 60 | 59 |    |    | 57 | 56 | 55 | 54 | 53 |    |
|          |                |                |                   |                  |                    | 52  | 51 |    |    | 48 |    |    | 45 | 44 |    |    | 41 | 40 | 39 | 38 | 37 | 36 | 35 | 34 | 33 |    |    |
|          |                |                |                   |                  |                    | 73  |    |    |    |    | 31 | 30 | 29 |    | 27 | 26 | 25 |    | 22 |    |    |    | 19 | 18 |    |    |    |
| SALEABLE | NOT APPLICABLE | 34566-0054     | 0                 | G                | BLUE               | 80  | 79 | 78 | 77 |    | 75 |    |    |    |    |    |    |    | 66 | 65 | 64 |    | 62 |    |    |    |    |
|          |                |                |                   |                  |                    |   | 59 |    | 57 |    |    |    |    |    |    |    |    |    | 46 |    |    | 43 | 42 | 41 |    |    |    |
|          |                |                |                   |                  |                    |   | 39 | 38 | 37 |    | 35 |    | 33 |    |    | 30 |    |    |    | 26 | 25 | 24 |    | 22 | 21 |    |    |
| SALEABLE | NOT APPLICABLE | 34566-0064     | 0                 | A                | BLACK              | 72  | 71 | 70 | 69 |    | 67 |    |    | 64 | 63 |    | 61 | 60 | 59 |    |    | 57 | 56 | 55 | 54 | 53 |    |
|          |                |                |                   |                  |                    | 52  | 51 |    |    | 48 |    |    | 45 | 44 | 43 |    | 41 | 40 | 39 | 38 | 37 | 36 | 35 | 34 |    |    |    |
|          |                |                |                   |                  |                    | 73  |    |    |    |    | 31 | 30 | 29 |    | 27 | 26 | 25 |    | 22 |    |    |    | 19 | 18 |    |    |    |
| SALEABLE | NOT APPLICABLE | 34566-0084     | 0                 | A                | BLACK              |   |    | 70 | 69 |    | 67 |    |    | 64 |    |    | 61 | 60 | 59 |    |    | 57 | 56 | 55 | 54 | 53 |    |
|          |                |                |                   |                  |                    | 52  | 51 |    |    | 48 |    |    | 45 | 44 |    |    | 41 | 40 | 39 | 38 | 37 | 36 | 35 | 34 | 33 |    |    |
|          |                |                |                   |                  |                    | 73  |    |    |    |    | 31 | 30 | 29 |    | 27 | 26 | 25 |    | 22 |    |    |    | 19 |    |    |    |    |
| SALEABLE | NOT APPLICABLE | 34566-0094     | 0                 | B                | ST GRAY            | 72  | 71 | 70 | 69 | 68 | 67 |    |    | 65 | 64 | 63 | 62 | 61 | 60 | 59 |    |    | 57 | 56 | 55 | 54 | 53 |
|          |                |                |                   |                  |                    | 52  | 51 | 50 | 49 | 48 | 47 | 46 | 45 | 44 | 43 | 42 |    | 40 | 39 |    |    | 36 | 35 | 34 | 33 |    |    |
|          |                |                |                   |                  |                    | 73  |    |    |    |    | 32 | 31 | 30 | 29 | 28 | 27 | 26 | 25 | 24 | 23 | 22 | 21 |    |    |    |    |    |
| SALEABLE | NOT APPLICABLE | 34566-0104     | 0                 | B                | ST GRAY            | 72  | 71 | 70 | 69 | 68 | 67 |    |    | 65 | 64 | 63 | 62 | 61 | 60 | 59 |    |    | 57 | 56 | 55 | 54 | 53 |
|          |                |                |                   |                  |                    |   |    | 50 | 49 | 48 | 47 | 46 |    | 44 | 43 | 42 |    | 40 | 39 |    |    | 36 | 35 | 34 | 33 |    |    |
|          |                |                |                   |                  |                    | 73  |    |    |    |    | 32 | 31 | 30 | 29 | 28 | 27 | 26 | 25 | 24 | 23 | 22 | 21 |    |    |    |    |    |

