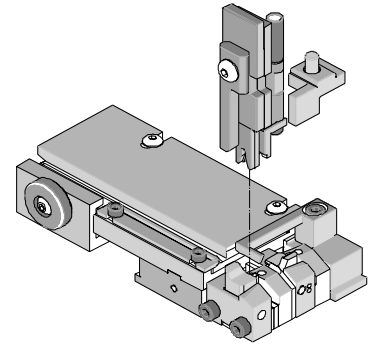




# T2 Terminator Tooling Specification Sheet Part No. 63850-2000



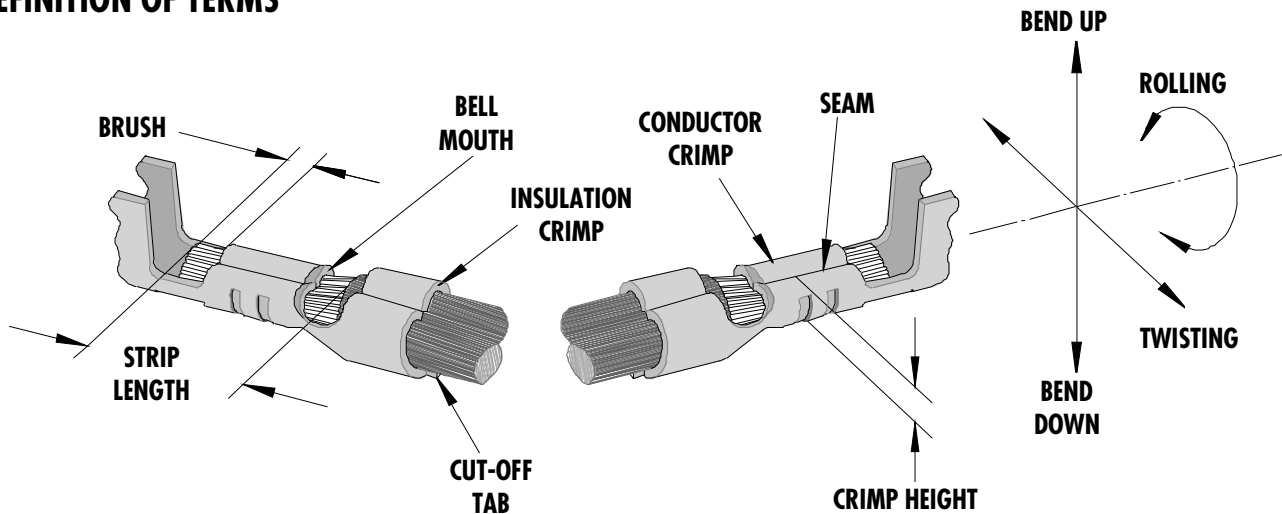
## FEATURES

- It is ideally suited for mid-volume bench operations
- This terminator can be installed in the TM42 and the TM40 press or Base Unit adapter for 3BF press
- Quick punch removal with the push of a button for fast and easy tooling change
- Track adjustment capabilities in the T2 Terminators for improved control of the bell mouth size and cutoff tab length
- T2 Terminator has standardized tooling with the Molex FineAdjust Applicator which will reduce your inventory requirements

## SCOPE

Terminal Series No.	Wire Size		Insulation Diameter		Strip Length	
	AWG	mm <sup>2</sup>	mm	In.	mm	In.
70058-00**	24-30	0.20-0.05	1.01-1.52	.040-.060	3.17-3.56	.125-.140
71851-000*	24-30	0.20-0.05	1.01-1.52	.040-.060	3.17-3.56	.125-.140

## DEFINITION OF TERMS



The above terminal drawing is a generic terminal representation. It is not an image of a terminal listed in the scope.

**CRIMP SPECIFICATION**

Terminal Series No.	Bell mouth		Cut-off Tab Max.				Conductor Brush	
			Front		Rear			
	mm	In.	mm	In.	mm	In.	mm	In.
70058-00**	0.20-0.50	.008-.020	0.13	.005	.08	.003	0.00-1.00	.000-.039
71851-000*	0.20-0.50	.008-.020	0.13	.005	.08	.003	0.00-1.00	.000-.039

Terminal Series No.	Bend up	Bend down	Twist	Roll	Punch Width mm (Ref)				Seam Seam shall not be open and no wire allowed out of the crimping area
	Degree		Degree		Conductor		Insulation		
	mm	In	mm	In					
70058-00**	3	3	3	8	1.00	.039	1.60	.063	
71851-000*	3	3	3	8	1.00	.039	1.60	.063	

After crimping, the conductor profile should measure the following.

Terminal Series No.	Wire Size		Crimp Height		Pull Force Min.	
	AWG	mm <sup>2</sup>	mm	In.	N	Lb.
70058-00**	24	0.20	0.79-0.84	.031-.033	22.2	5.0
70058-00**	26	0.12	0.74-0.79	.029-.031	13.3	3.0
70058-00**	28	0.08	0.71-0.76	.028-.030	8.9	2.0
70058-00**	30	0.05	0.66-0.71	.026-.028	6.7	1.5
71851-000*	24	0.20	0.79-0.84	.031-.033	22.2	5.0
71851-000*	26	0.12	0.74-0.79	.029-.031	13.3	3.0
71851-000*	28	0.08	0.71-0.76	.028-.030	8.9	2.0
71851-000*	30	0.05	0.66-0.71	.026-.028	6.7	1.5

Pull Force should be measured with no influence from the insulation crimp.

The above specifications are guidelines to an optimum crimp.

**PARTS LIST**

Item	Order No	Engineering No.	Description	Quantity
	<b>63850-2000</b>	<b>63850-2000</b>	<b>T2 Terminator (Fig. 1)</b>	<b>REF</b>
1	63444-1018	63444-1018	Conductor Punch	1 Y
2	63445-1031	63445-1031	Conductor Anvil	1 Y
3	63446-1622	63446-1622	Insulation Punch	1 Y
4	63445-1630	63445-1630	Insulation Anvil	1 Y
5	63443-0003	63443-0003	Cut-Off Plunger	2 Y
6	63443-0012	63443-0012	Front Plunger Retainer	1 Y
7	63443-1402	63443-1402	Cut-off Die Blade	1 Y
8	63443-1002	63443-1002	Rear Plunger Retainer	1 Y
9	11-24-1067	4996-4	Cut-Off Plunger Spring	2
10	11-40-4039	8302-5	Front Plunger Striker	1
11	63443-0021	63443-0021	Lower Tooling Key	1
12	63443-6003	63443-6003	Rear Cover	1
13	11-18-4094	60709A111	Front Cover	1
14	63800-8503	63800-8503	Wire Stop	1
15	63800-8500	63800-8500	T2 Terminator	1
16	63800-8502	63800-8502	Rear Plunger Striker	1
17	63443-2102	63443-2102	Front Spacer	1
18	63443-2103	63443-2103	Rear Spacer	1
19	11-24-1149	4996-37	Shank	1
20	11-40-4274	8331-8	Hold Down Blade	1
21	11-17-0022	1739-21	Hold Down Spring	1
22	63860-2015	63860-2015	*Drag Frame (Modified)	1
23	N/A	N/A	M3 by 6Lg. SHCS	2**
24	N/A	N/A	M4 by 12Lg. BHCS	2**
25	N/A	N/A	M4 by 16Lg. SHCS	1**
26	N/A	N/A	M4 by 35Lg. SHCS	1**
27	N/A	N/A	M4 by 50Lg. SHCS	1**
28	N/A	N/A	M5 by 10Lg. SHCS	1**
29	N/A	N/A	#5-40 by 3/8" Lg. SHCS	1**
30	N/A	N/A	1/8 " Tubular by 0.375" Lg. Rivet Pin	1**
31	N/A	N/A	#10-32 by 3/8" Lg. BHCS	1**
	<b>63850-2070</b>	<b>63850-2070</b>	<b>Tool Kit (All Y Items)</b>	<b>REF</b>

\* Frame part – To be modified

\*\* The following purchased parts are available from an Industrial supply company such as MSC (1-800-645-7270).

### Assembly Drawing

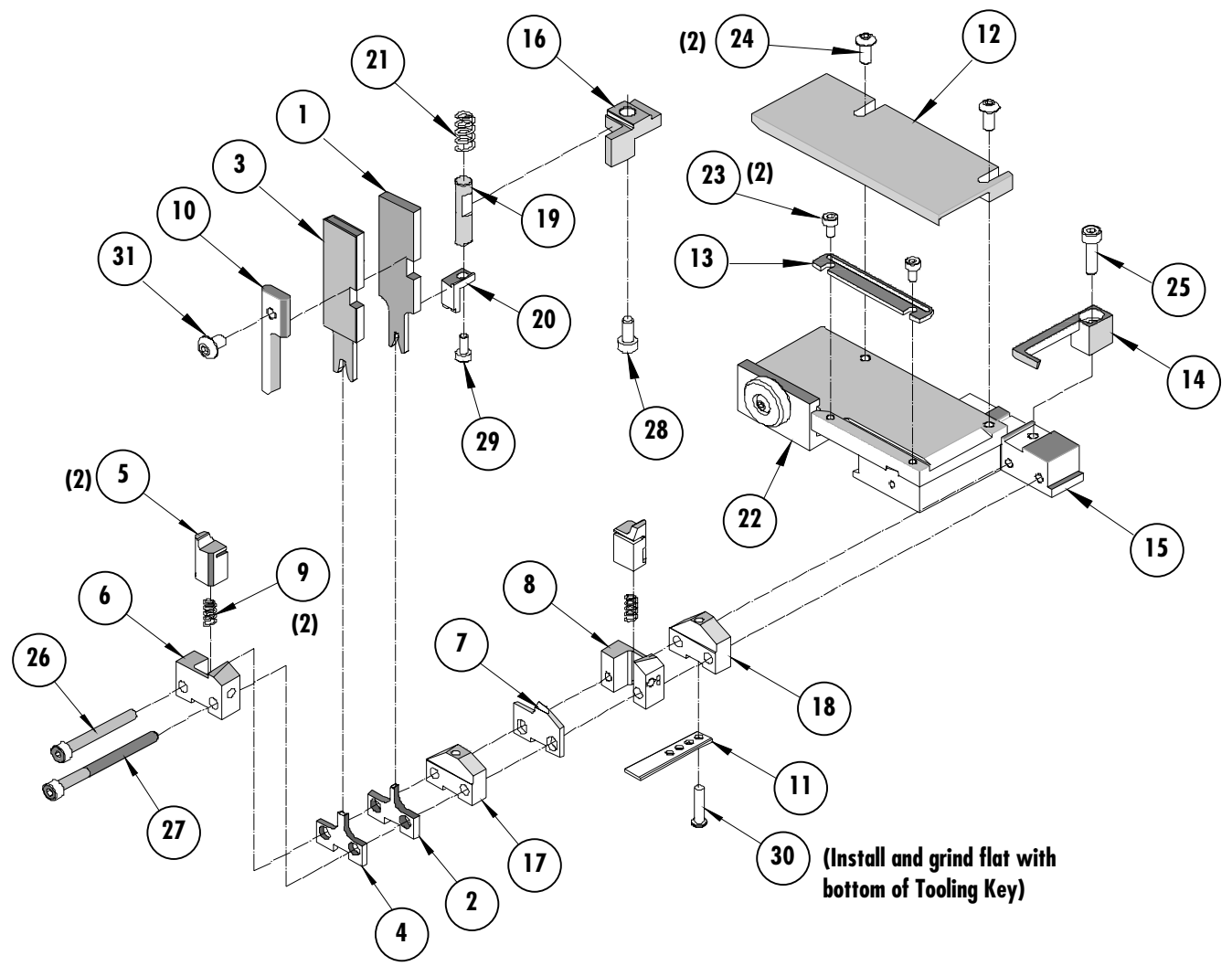


Figure 1

**NOTES**

Depending on the press vintage a feed finger assembly is supplied with the T2 Terminator.

1. To remove the existing feed finger assembly loosens the M4 x 10 mm set screw in the feed lever.
2. Select T2 Feed finger assembly from Terminator box.
3. Insert a screwdriver into the slot behind the feed lever and force the feed arm spring to the right.
4. Slide the T2 feed finger shaft for TM42 (11-40-5307) or (11-40-0123) for TM40 /Base Unit into the feed lever and to the left of the feed arm spring.
5. Release the feed arm spring.
6. Position feed finger for selected product. (Refer to Figure 5.1 in the T2 Manual).

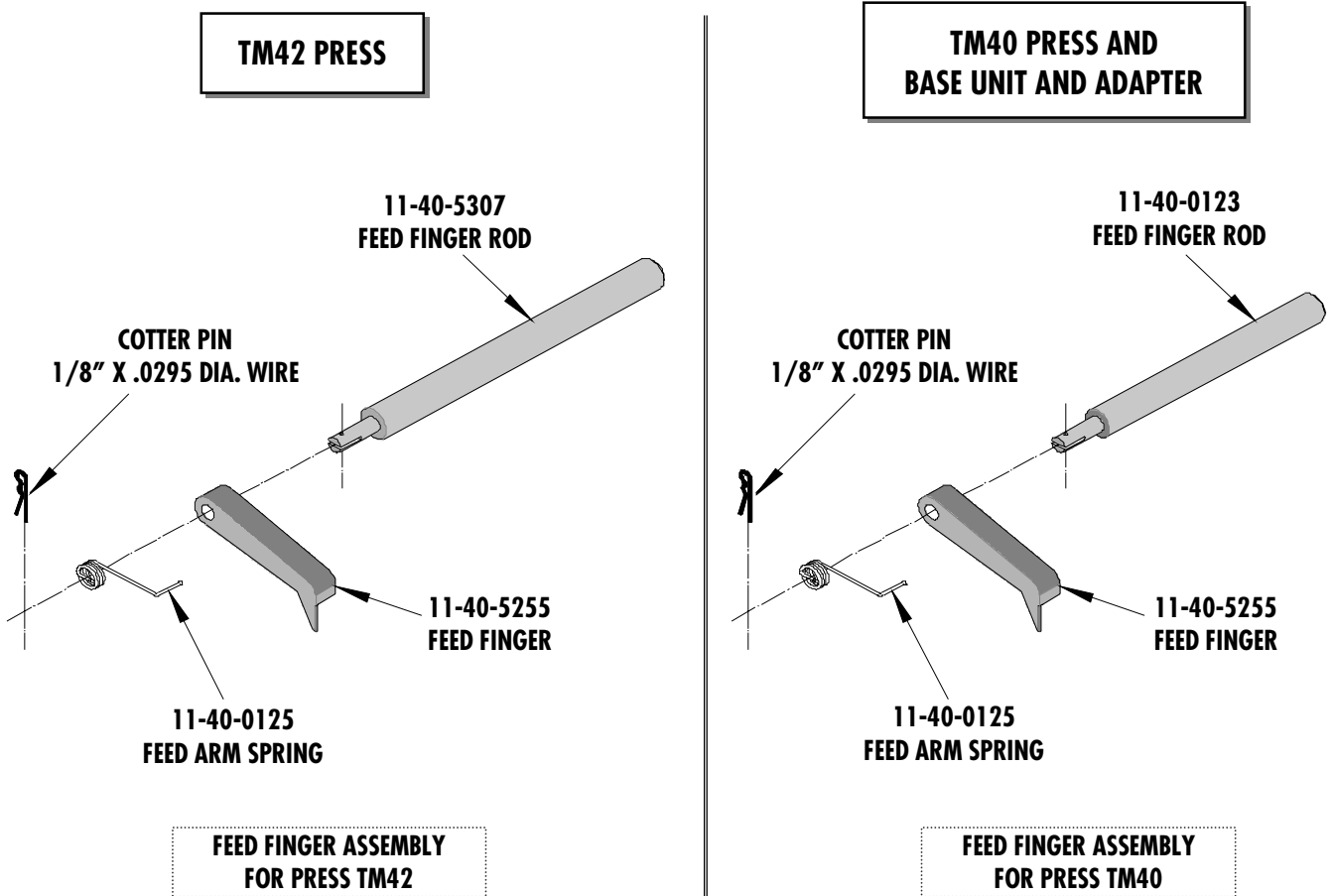


Figure 2

## NOTES

1. Molex recommends an extra perishable tooling kit be maintained at your facility.
2. Verify tooling alignment by manually cycling the press before crimping under power. Check that all screws are tight.
3. Slugs, Terminals, Dirt and Oil should be kept clear of work area.
4. This Terminator should be only used in a Molex TM42, TM40, or 3BF Press with a Base Unit adaptor.
5. Wear safety glasses at all times.
6. For recommended maintenance refer to the TM40, TM42 Manual.

**CAUTION:** To prevent injury never operate this Terminator without the guards supplied with the press or in place. Reference the TM42 press manufacturer's instruction manual.

**CAUTION:** Molex crimp specifications are valid only when used with Molex terminals, applicators and tooling.

### **Molex Application Tooling Group**

1150 E. Diehl Road  
Naperville, IL 60563  
Tel: (630) 969-4550  
Fax: (630) 505-0049

Visit our Web site at <http://www.molex.com>