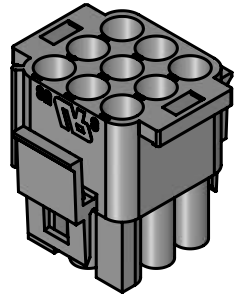
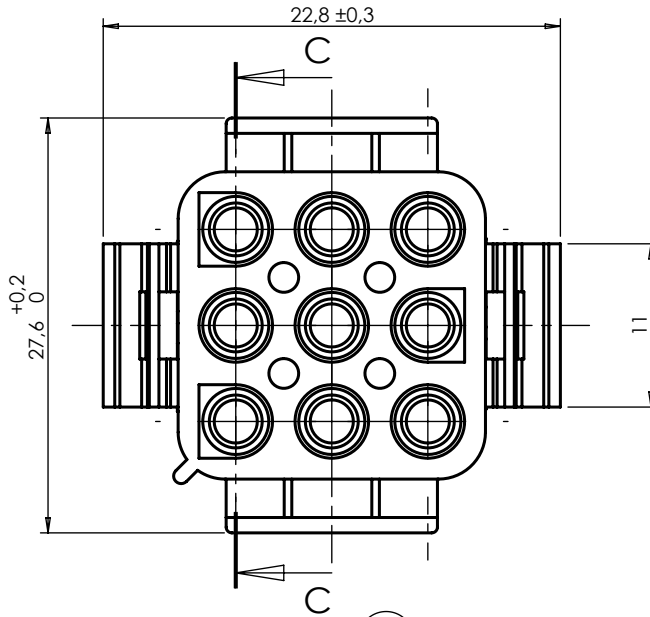
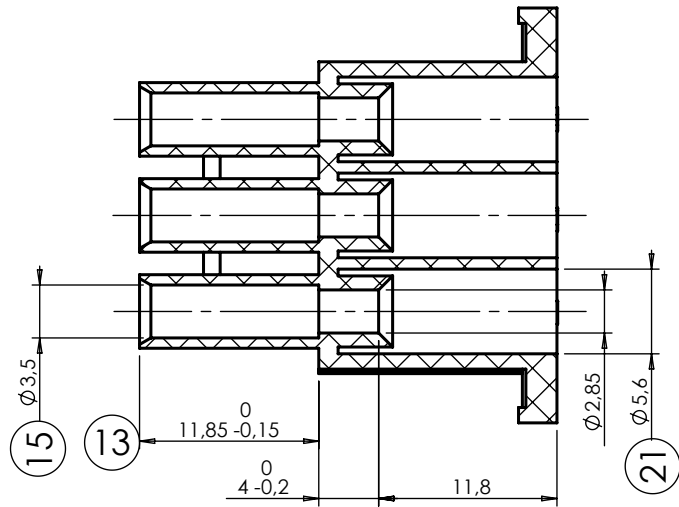
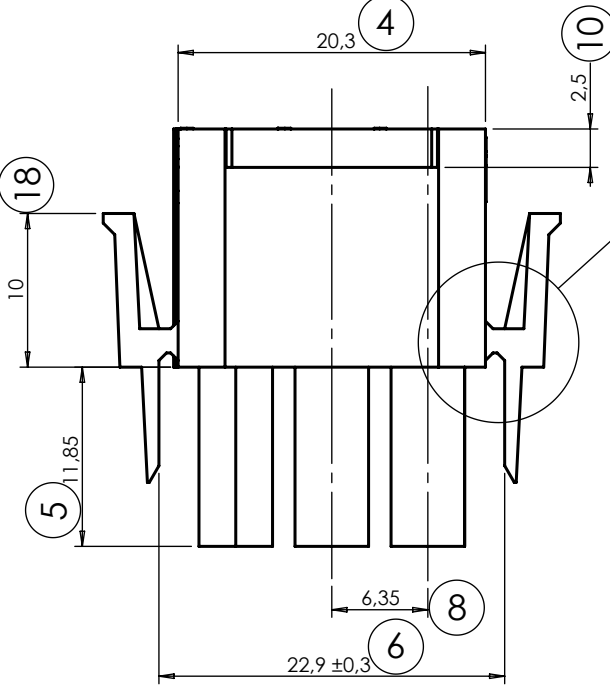
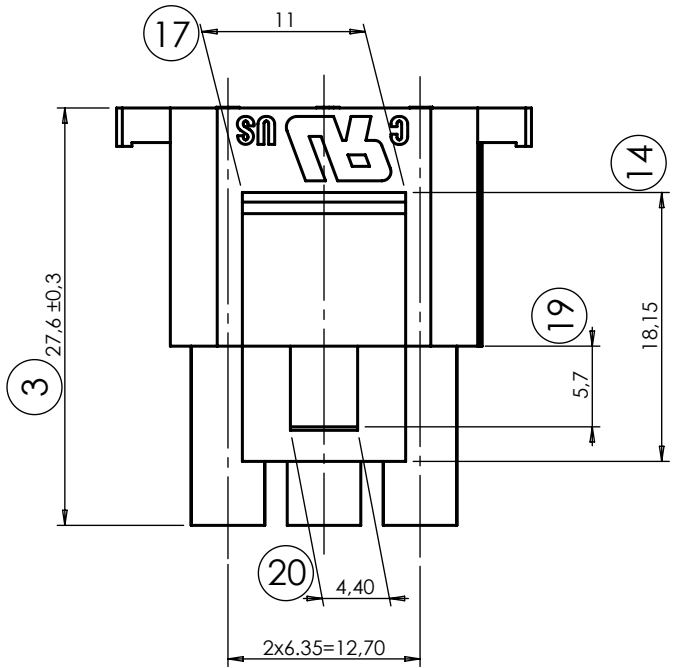
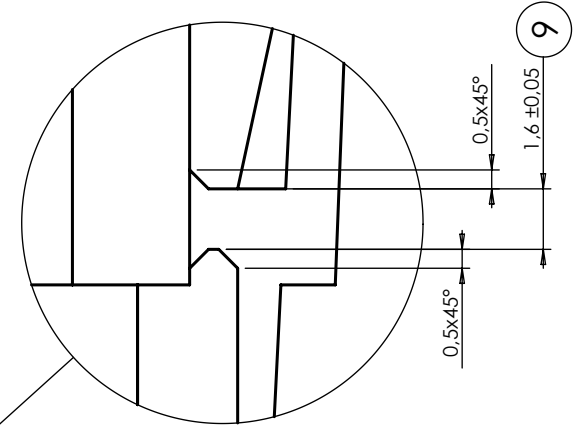
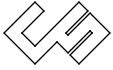
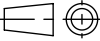


SEZIONE C-C



DETTAGLIO G  
SCALA 5:1



4	Modified diameters from Ø3.75 to Ø3.50 mm (See section C-C)	31-05-2016	
	Improved thickness latching hook to 1.60 mm (See detail "G")		
	Added chamfer 0.5x45° (Detail "G")		
3	Added UL & CSA symbols	09-11-2011	
2	Updated raw materials table and title box	23-02-2011	
1	Updated tolerance limits	02-12-1999	
INDEX	MODIFICATION	DATE	
 <p>20063 CERNUSCO S/N - VIA COMO, 11 TEL +39.02.9210.7404 - FAX +39.02.9210.0217 http://www.csconnectors.com - e-mail: info@csconnectors.com</p>			
CHECKED BY Stefano Galimberti		DATE 17-06-2016	DESIGN UNITS METRIC
DRAWN BY Luca Viscardi		DATE 17-06-2016	WEIGHT (g) 5.70
CAD REFER Y:\dis\cs\lk\09vie\m\		SIZE A4	SCALE 2:1
INDEX 0 15-11-1997			
BASE CODE CS-LK09M	DESCRIPTION 9 poles plug housing for LK series terminals Ø2.12 mm		

DIMENSIONS WITHOUT TOLERANCES		CS-LK09M	PA66 UL94 V-2
±2° A	0 - 6	±0.1	CS-LK09MV0
	6 - 30	±0.2	PA6/66 UL94 V-0
	> 30	±0.3	CS-LK09MSTY
		CS-LK09MV0750NF	PA46 UL94 V-2
		CS-LK09M-G	PA66 UL94 V-0 GWIT 775
		PART NUMBER	MATERIAL
		PA6 UL94 V-2 GWIT 775	