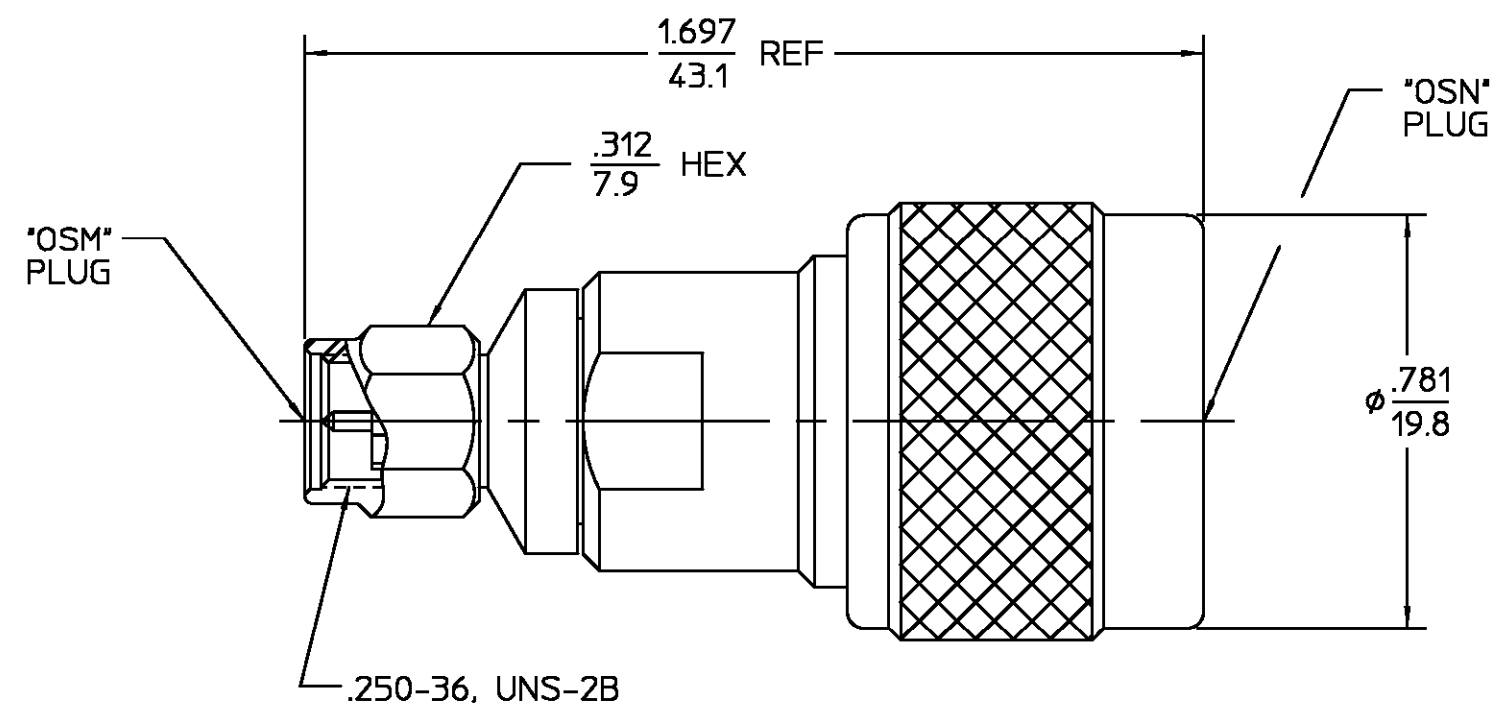
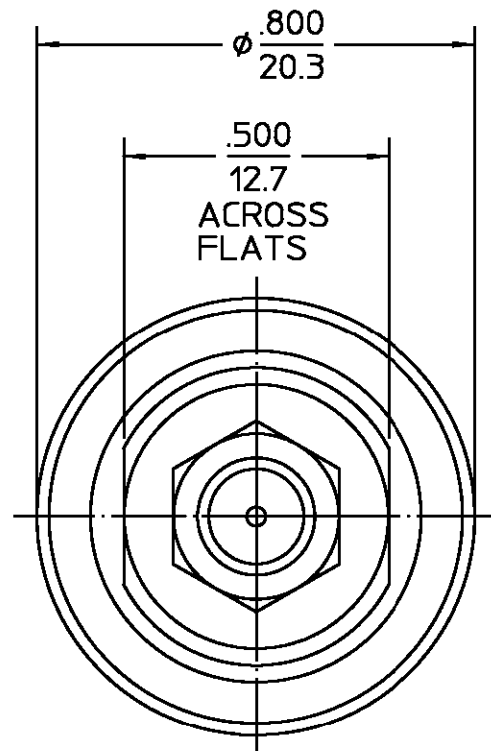


| REVISIONS | | | |
|-----------------|-----------------------------|----------------|----------------------|
| REV | DESCRIPTION | DATE | APPROVED |
| 01 ₃ | REDRAWN IN CAD, ECN 97-0001 | K.LE 1-9-97 | S. Morley 1/22/97 |
| B | PER EC 0U20-0116-01-02 | 10/26/01 | C. Hwang |



| | | |
|--|--|-------------------------------|
| HOUSING COUPLING NUTS | STAINLESS STEEL PER ASTM-A484 AND ASTM- A582, TYPE 303 | PASSIVATE PER QQ-P-35 |
| DIELECTRIC | TFE FLUOROCARBON PER ASTM-D-1457 | N/A |
| RETAINING RING (OSM) | BERYLLIUM COPPER PER ASTM-B-194, ALLOY C17200, CONDITION H | N/A |
| RETAINING RING (TYPE N) | PHOSPHOR BRONZE PER QQ-B-750, GRADE B2 | N/A |
| CONTACT EXT., BUSHING & CENTER CONTACT | BRASS PER ASTM-B-16, HALF HARD | GOLD PLATE PER MIL-G-45204 |
| GASKET | SILICONE RUBBER PER ZZ-R-765 | N/A |
| COMPONENT | MATERIAL | FINISH |

| | | | | | | | | | |
|---|-------------------------|--------------|---------------------------|--|--|-----------|-------------------------|--------------|------------------------|
| UNLESS OTHERWISE SPECIFIED DIMENSIONS ARE IN INCHES | | | DRAWN BY BWC 10-13-67 | | AMP Incorporated 140 Fourth Avenue Waltham, MA 02451-7599 | | | | |
| FRAC. ± 1/64 DEC. ± .005 ANGLES ± 1° | | | CHECKED BY PRB 2-28-68 | | | | | | |
| | | | APPD BY RMF 2-29-68 | | | | | | |
| These drawings and specifications are the property of M/A COM Interconnect Div. and shall not be reproduced or copied or used in whole or in part as the basis for the manufacture or sale of item(s) without written permission. | | | USE ASSY PROCEDURE | | TITLE TYPE N PLUG TO OSM PLUG ADAPTER | | | | |
| | | | NO. A.P. N/A | | <table border="1"> <tr> <td>SIZE B</td> <td>CODE IDENT NO. 26805</td> <td>2081-2301-00</td> <td>REV 01₃</td> </tr> </table> | SIZE B | CODE IDENT NO. 26805 | 2081-2301-00 | REV 01 ₃ |
| SIZE B | CODE IDENT NO. 26805 | 2081-2301-00 | REV 01 ₃ | | | | | | |
| | | | SCALE 3:1 | | SHEET 1 OF 1 | | | | |

.XXX = in
XX.X = mm (REF)

CUSTOMER DRAWING

AMP PART # 1053646-1
SHEET 1 OF 1 REV B