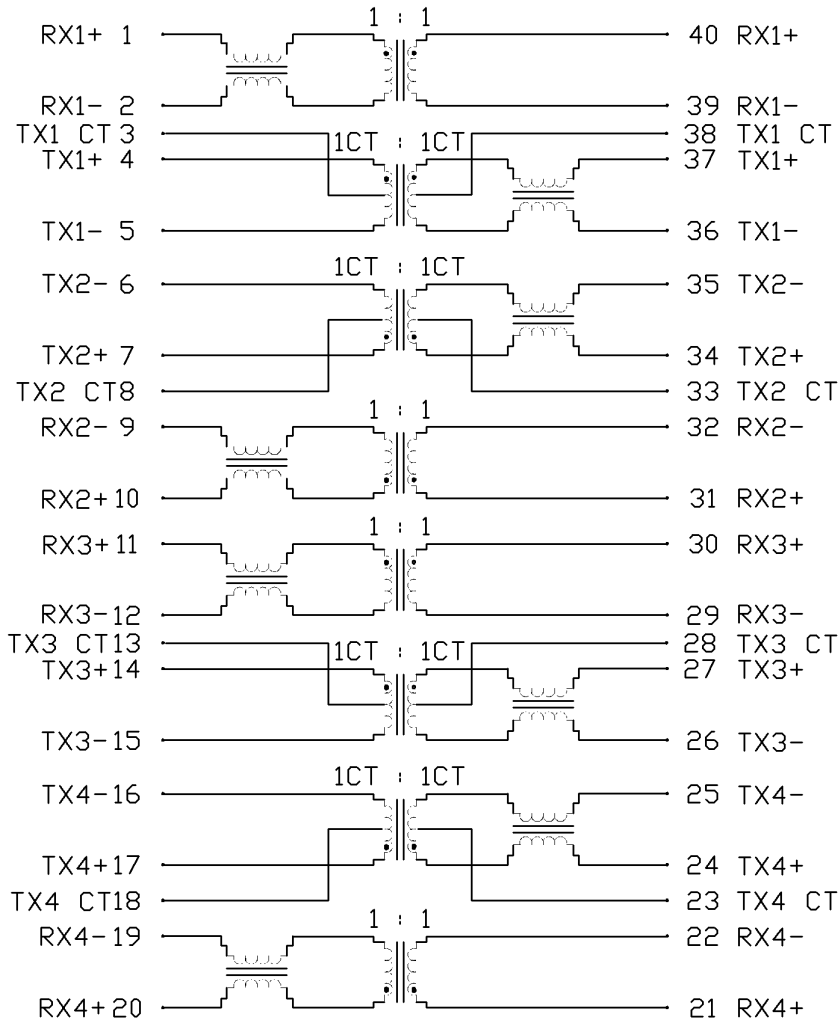


THE INFORMATION CONTAINED HEREIN IS CONSIDERED "PROPRIETARY" TO BEL FUSE INC. AND SHALL NOT BE COPIED, REPRODUCED OR DISCLOSED WITHOUT THE WRITTEN APPROVAL OF BEL FUSE INC.



SCHEMATIC



ELECTRICAL CHARACTERISTICS @ 25°C

<p>URNS RATIO Tx 1CT : 1CT Rx 1 : 1</p>	<p>POLARITY PER DOT CONVENTION</p>
<p>CL 350µH MIN @100kHz, 100mV WITH 8mA DC BIAS</p>	<p>INSERTION LOSS 1.0dB MAX @300kHz TO 80MHz</p>
<p>RETURN LOSS MEASURED UNDER 100Ω ENVIRONMENT</p>	<p>18.0dB MIN @1MHz TO 30MHz 13.5dB MIN @30MHz TO 60MHz 12.0dB MIN @60MHz TO 80MHz</p>
<p>COMMON TO DIFFERENTIAL MODE REJECTION</p>	<p>40dB MIN @0.3MHz TO 100MHz</p>
<p>COMMON TO COMMON MODE REJECTION</p>	<p>35dB MIN @0.3MHz TO 100MHz</p>
<p>CROSSTALK</p>	<p>35dB MIN @0.3MHz TO 100MHz</p>
<p>HIPOT</p>	<p>PER HAND-WORK-03</p>
<p>OPERATING TEMPERATURE</p>	<p>0°C TO 70°C</p>

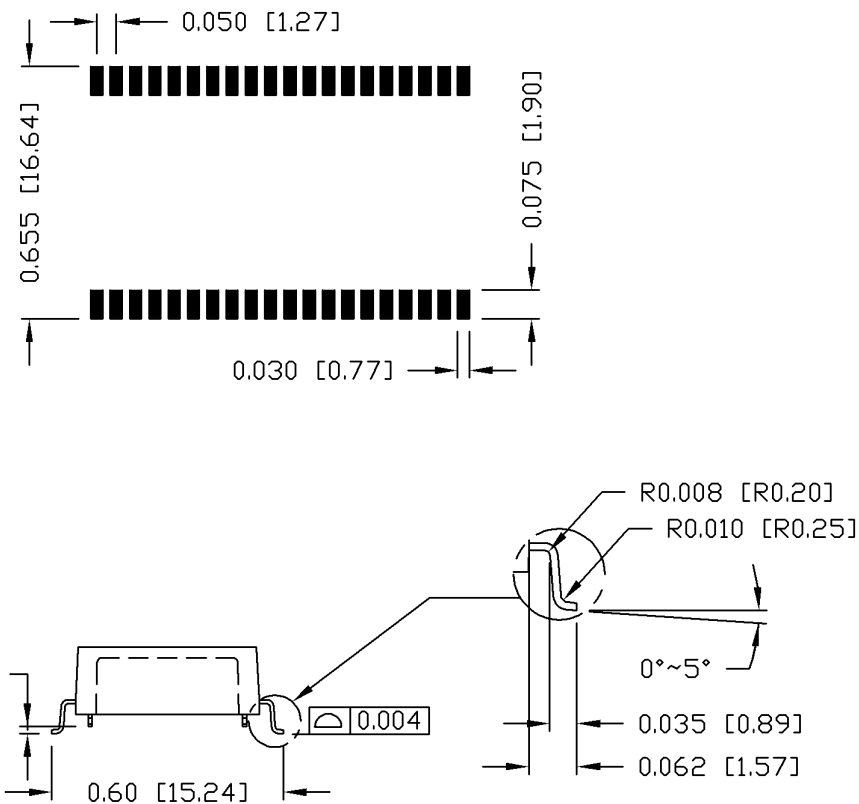
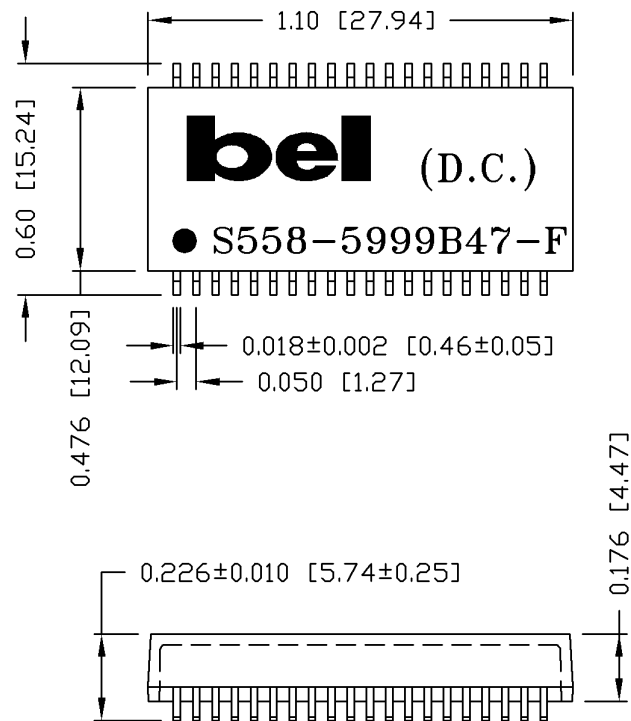
ORIGINATED BY	DATE	TITLE	PART NO. / DRAWING NO.	STANDARD DIM.	[] METRIC DIM. AS REFERENCE	
CHAN CH	06-04-08	ELECTRICAL SPECIFICATION S558-5999B47-F	X5585999B47F	TOL. IN INCH	UNIT : INCH [mm]	REV. : A
DRAWN BY	DATE		FILE NAME	.X	SCALE : N/A	SIZE : A4
YH Lai	06-04-08		X5585999B47FA.DWG	.XX		PAGE : 2
				.XXX		



THE INFORMATION CONTAINED HEREIN IS CONSIDERED "PROPRIETARY" TO BEL FUSE INC. AND SHALL NOT BE COPIED, REPRODUCED OR DISCLOSED WITHOUT THE WRITTEN APPROVAL OF BEL FUSE INC.



SUGGESTED PCB PAD LAYOUT



NOTES:

1. STANDARD MARKING REFER TO DDC. HAND-WORK-04.
2. PACKAGE CODE: "RRS001".

ORIGINATED BY	DATE	TITLE	PART NO. / DRAWING NO.	STANDARD DIM. TOL. IN INCH	[] METRIC DIM. AS REFERENCE	 COMPONENTS FOR A CONNECTED PLANET
CHAN CH	06-04-08	MECHANICAL OUTLINE S558-5999B47-F	X5585999B47F	.X	UNIT : INCH [mm]	
DRAWN BY	DATE		FILE NAME	.XX	SCALE : N/A	
YH Lai	06-04-08	X5585999B47FA.DWG	.XXX	±0.005	REV. : A SIZE : A4 PAGE : 3	