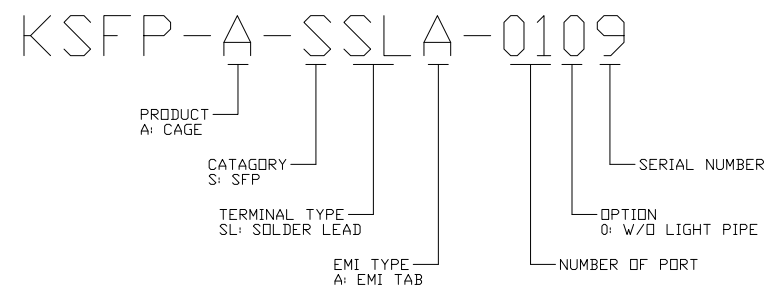
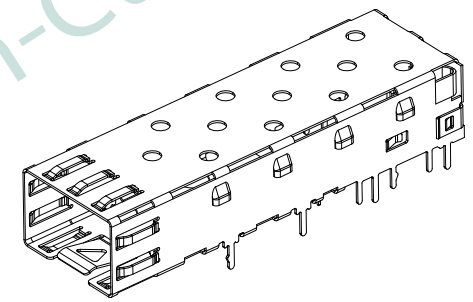


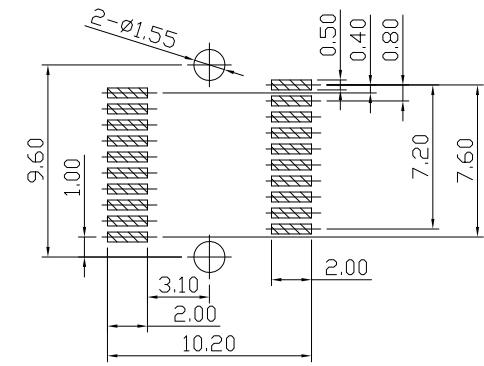
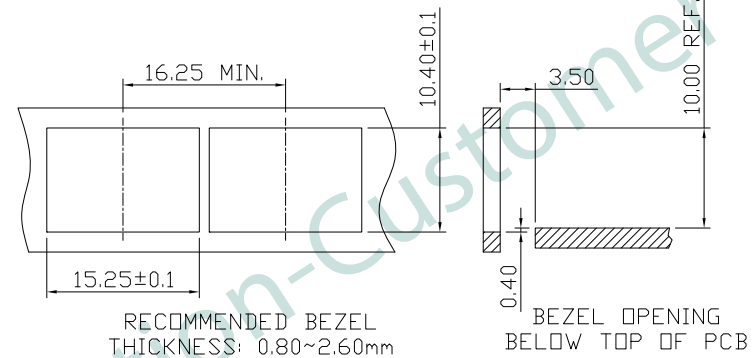
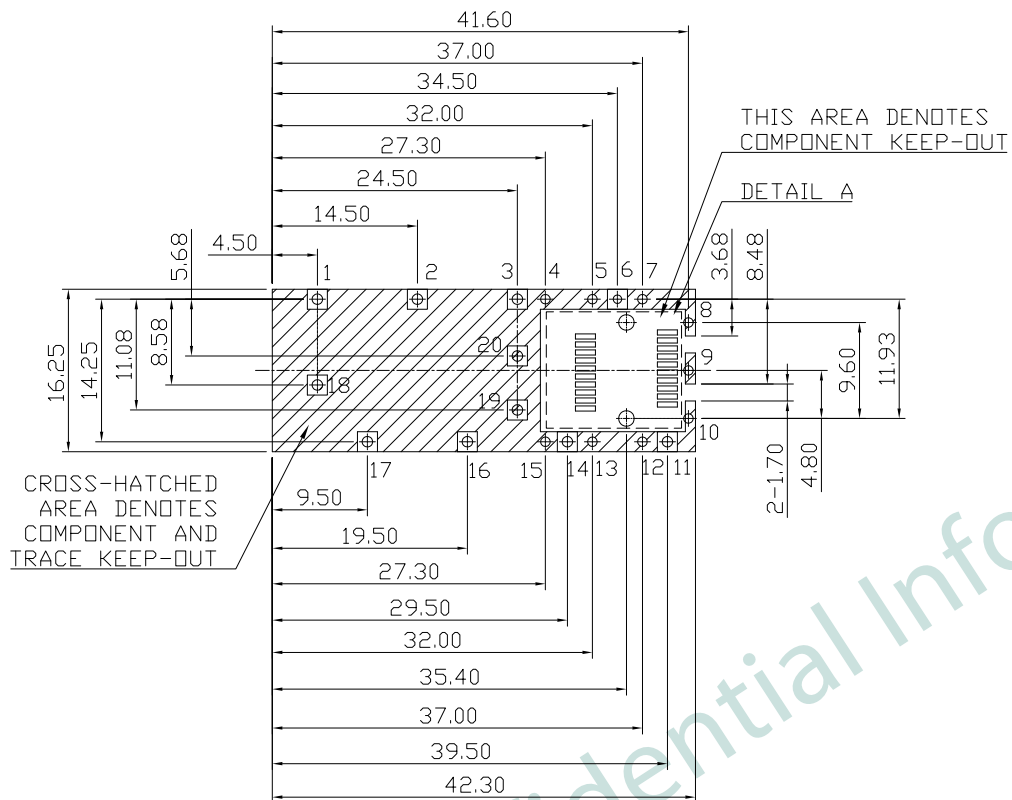
REV.	DATE	DESCRIPTION
01	Jul. 05, '18	1st RELEASE

- NOTES:
- MATERIALS: T=0.25mm, COPPER ALLOY
  - UNSPECIFIED TOLERANCE: .XXX ±0.15  
 .XX ±0.25  
 .X ±0.35



PART NO		KSFP-A-SSLA-0109		
TITLE	SFP CAGE 1 PORT, SOLDER LEAD, EMI TYPE			
REV : 01				
UNIT	DRAWN	CHKD	DATE	SHEET
mm[inch]	CINDY	VINCENT	Jul. 05, '18	1 of 2

RoHS Compliant



RECOMMENDED PCB THICKNESS: 2.36mm  
 MINIMUM PCB THICKNESS: 1.57mm  
 (ALL TOLERANCES ARE ±0.05)

- ∅1.05mm= (1, 2, 3, 11, 14, 16, 17, 18, 19, 20)
- ∅0.95mm= (4, 5, 7, 8, 9, 10, 12, 13, 15)
- ∅0.85mm= (6)

PART NO		KSFP-A-SSLA-0109		
TITLE	SFP CAGE 1 PORT, SOLDER LEAD, EMI TYPE			
REV : 01				
UNIT	DRAWN	CHKD	DATE	SHEET
mm[inch]	CINDY	VINCENT	Jul. 05, '18	2 of 2