

MODULAR JACK CHARACTERISTICS LEGEND

EXTERNAL CONNECTOR BODY DIMENSIONS: (SEE NOTES 8 AND 9)
 JACKS ARE AVAILABLE IN STANDARD 4, 6, AND 8 POSITION BODY SIZES

NUMBER OF CONTACT POSITIONS:
 CONNECTOR SIZE 4 CAN ACCOMMODATE 2 OR 4 TERMINALS;
 CONNECTOR SIZE 6 CAN ACCOMMODATE 2, 4, OR 6 TERMINALS;
 CONNECTOR SIZE 8 CAN ACCOMMODATE 2, 4, 6, 8, OR 10 TERMINALS

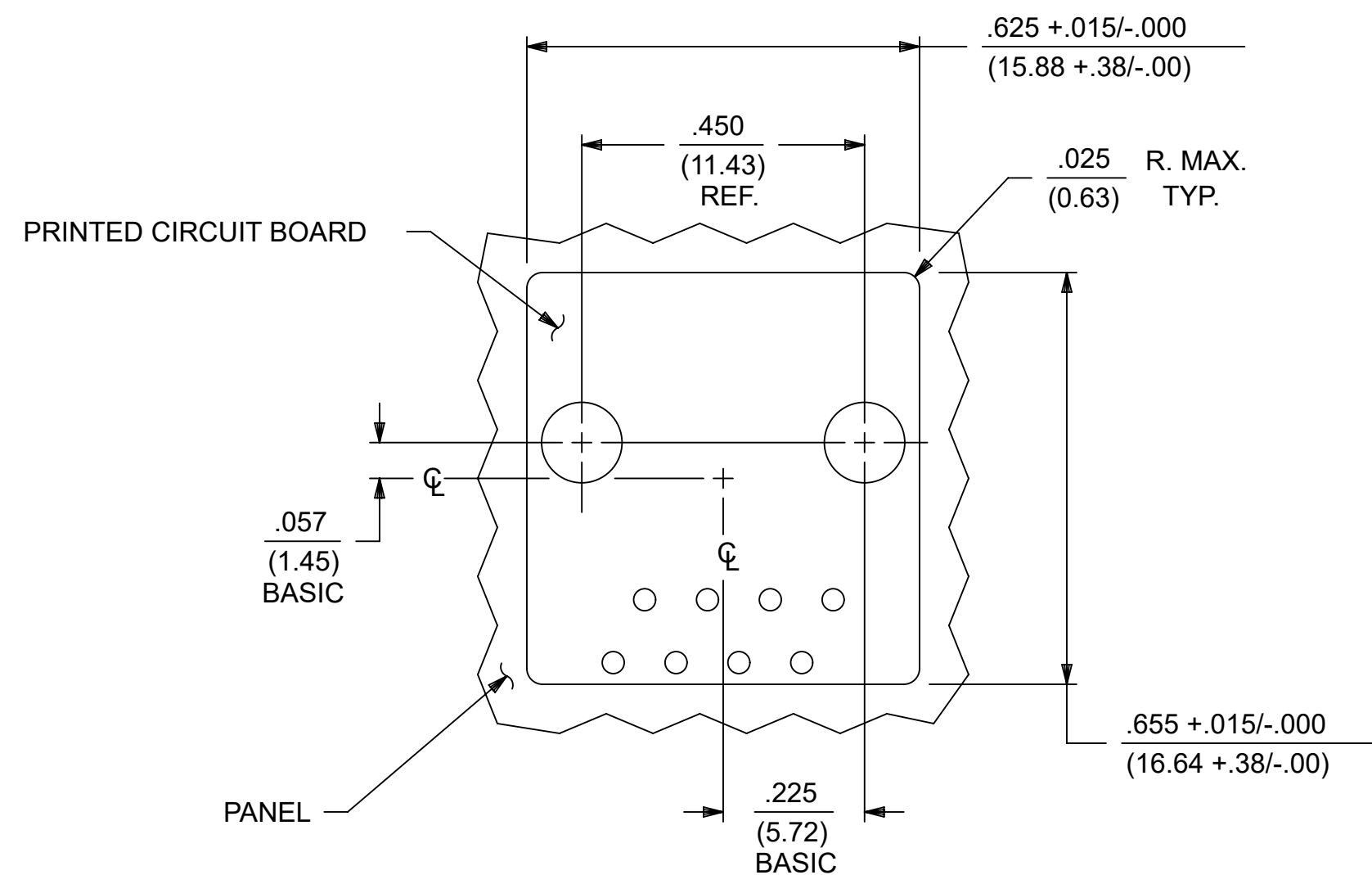
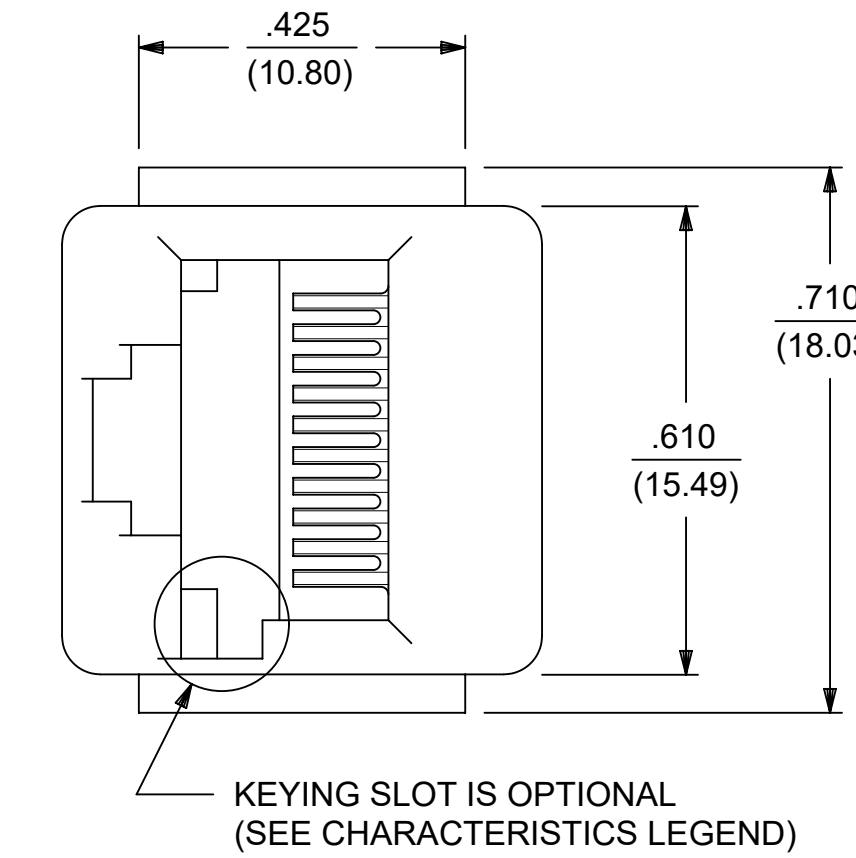
POLARIZATION OPTION:
 "NO"= JACKS WITHOUT KEYING SLOT
 "YES"= JACKS WITH KEYING SLOT (AVAILABLE ON CONNECTOR SIZE 8 ONLY)

MOUNTING EARS OPTION:
 "YES"= JACKS WITH MOUNTING EARS
 "NO"= JACKS WITHOUT MOUNTING EARS

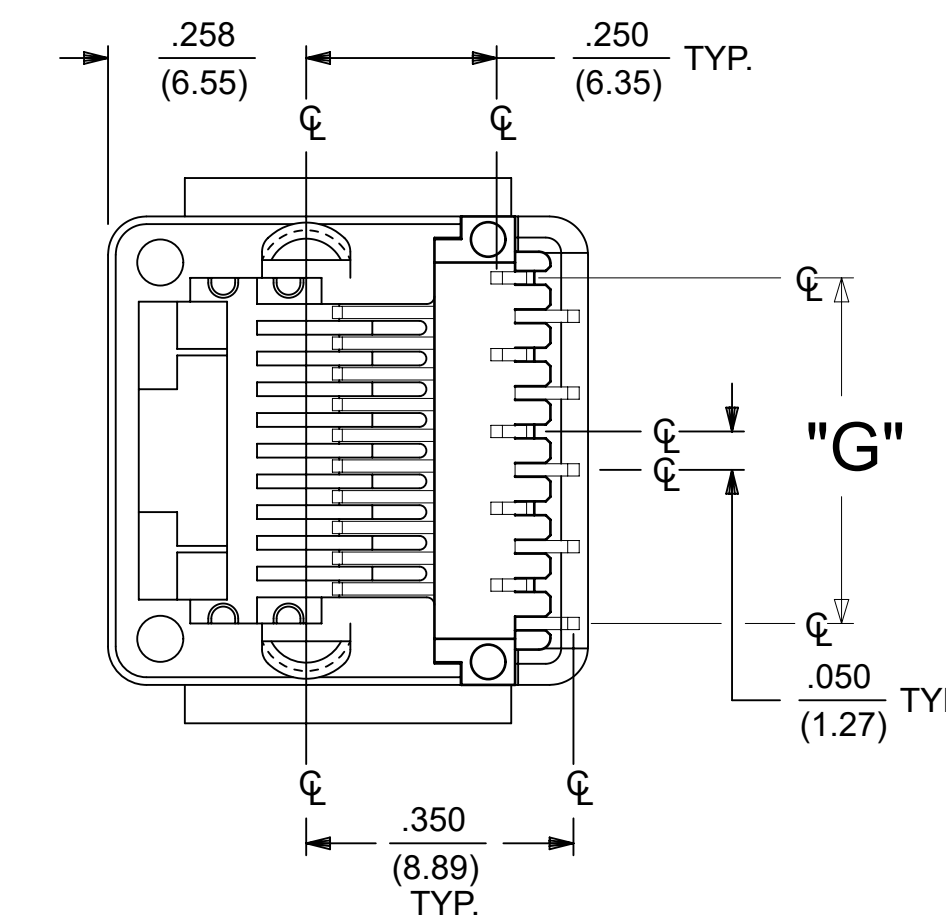
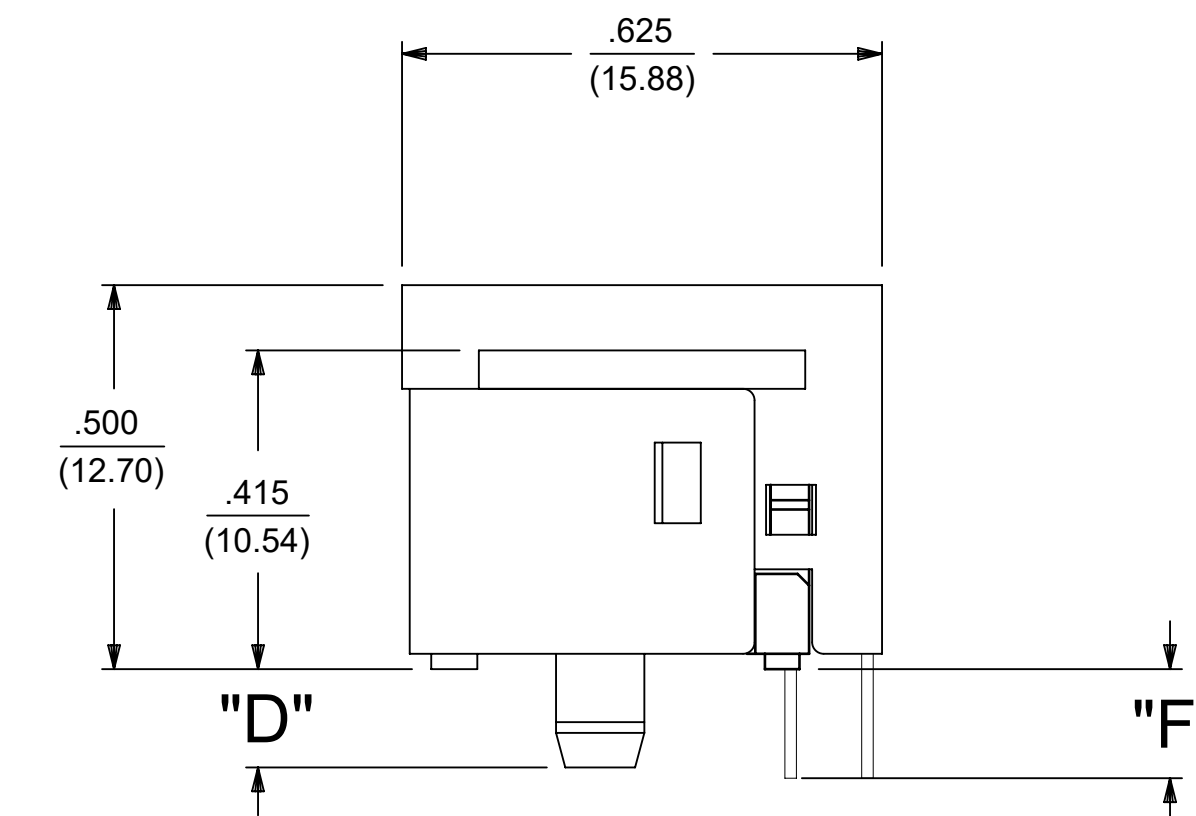
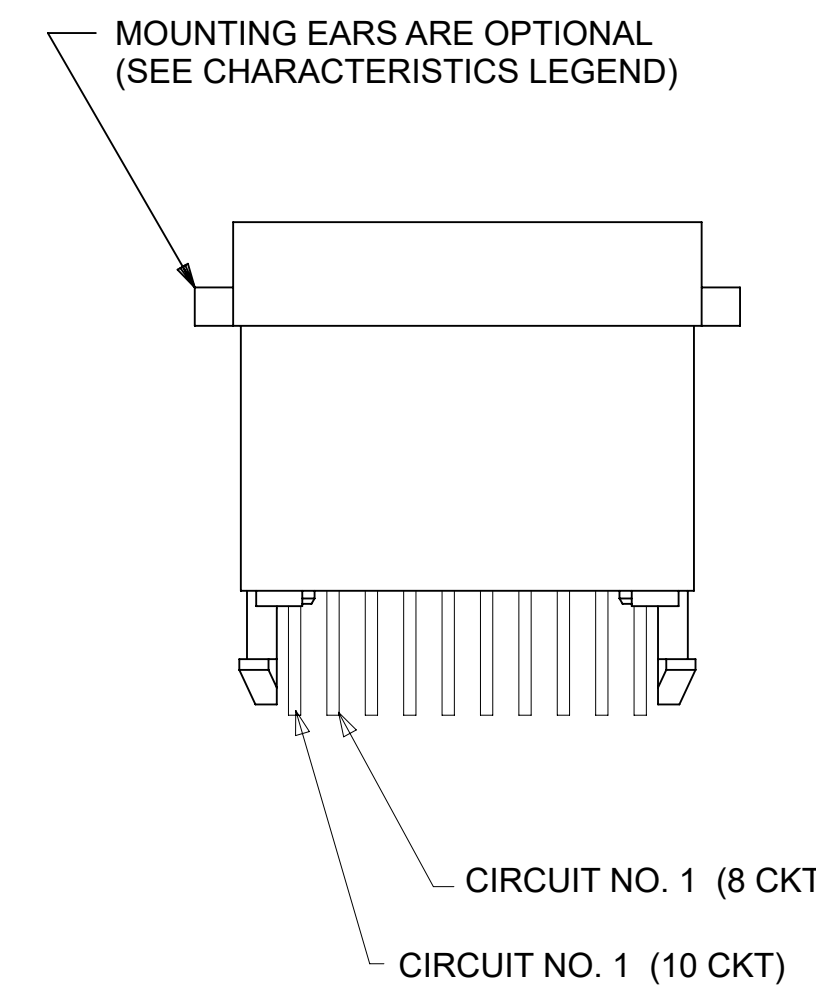
- NOTES:
- 1) MATERIALS: HOUSING- POLYESTER, GLASS FILLED, UL94V-0, COLOR - BLACK
 TERMINALS- PHOSPHOR BRONZE ALLOY, .015/(0.38) THICK.
 - 2) TERMINAL PLATING:
 SELECT GOLD IN CONTACT AREA: 50 MICROINCHES MIN.,
 *SELECT TIN IN PC TAIL AREA: 100 MICROINCHES MIN.,
 WITH OVERALL NICKEL UNDERPLATE: 50 MICROINCHES MIN.
 *THE PRIMARY SHIPPING CARTON WILL BE LABELED "COMPLIANT TO RoHS DIRECTIVE 2002/95/EC AND ELV ANNEX II OF DIRECTIVE 2000/53/EC". CARTONS WITHOUT THIS LABEL MAY CONTAIN PRODUCT WITH TIN-LEAD IN THE PC TAIL.
 - 3) THESE MODULAR JACKS MEET THE PERFORMANCE REQUIREMENTS OF MOLEX PRODUCT SPECIFICATION PS-42878.
 - 4) CONNECTORS ARE SHIPPED IN THERMOFORMED TRAYS, PER PACKAGING SPECIFICATION PK-42878-492.
 - 5) ALL JACKS ARE DESIGNED TO BE USED WITH .062/(1.57) OR .125/(3.18) THICK P.C. BOARDS.
 - 6) ALL JACKS CONFORM TO AND ACCEPT PLUGS WHICH CONFORM TO FCC RULES AND REGULATIONS PART 68, SUBPART F.
 - 7) ALL JACKS MUST BE CAPABLE OF FITTING INTO MOLEX GAGE G-42410 (CONNECTOR SIZE 8).
 - 8) SEE SHEETS 1 & 4 FOR CONNECTOR SIZE 4.
 - 9) SEE SHEETS 2 & 4 FOR CONNECTOR SIZE 6.
 - 10) ENGRAVED NUMBERS ON HOUSING BODY ARE FOR MOLDING IDENTIFICATION ONLY. THEY ARE NOT INTENDED FOR ASSEMBLY IDENTIFICATION PURPOSES.
 - 11) THIS PART CONFORMS TO CLASS B REQUIREMENTS OF COSMETIC SPECIFICATION PS-45499-002 WITH THE EXCEPTION OF THE SINK WHICH CONFORMS TO CLASS C REQUIREMENTS.

P.C. BOARD THICKNESS	DIM. "D" (MTG. PEGS)	DIM. "F" (P.C. TAILS)
.062/(1.57)	.128 (3.25)	.120 +.015/- .025 (3.05 +.38/- .63)
.125/(3.18)	.191 (4.85)	.205 +.015/- .025 (5.21 +.38/- .63)

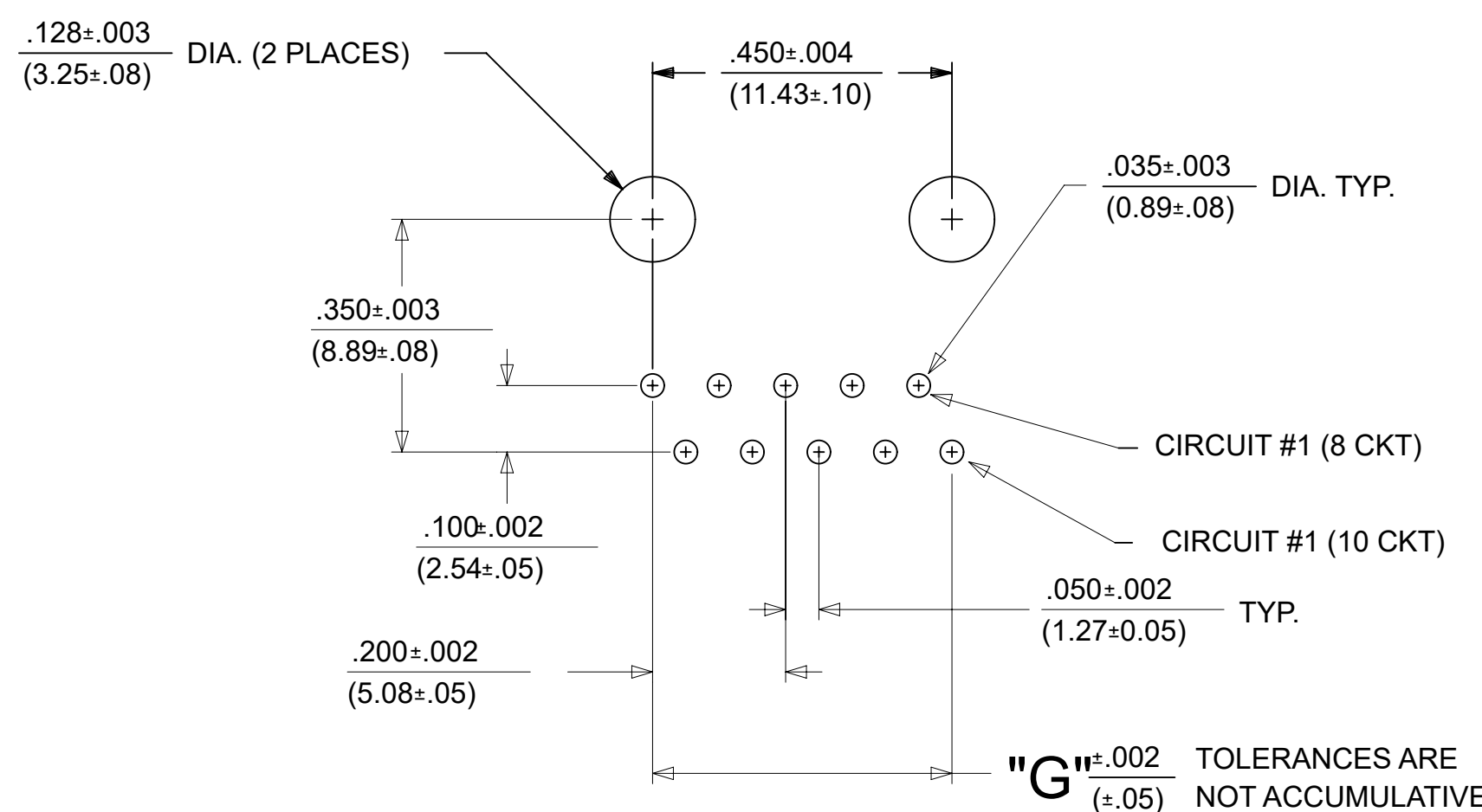
CONNECTOR SIZE	CIRCUIT SIZE	DIM. "G"
8	10	.450 (11.43)
8	8	.350 (8.89)
8	6	.250 (6.35)
8	4	.150 (3.81)
8	2	.050 (1.27)



PANEL CUT-OUT FOR CONNECTOR SIZE 8



SIZE 8 MODULAR JACK LOADED WITH 10 TERMINALS SHOWN ABOVE



P.C. BOARD LAYOUT FOR CONNECTOR SIZE 8
10 CIRCUIT SHOWN

THIS DRAWING CONTAINS INFORMATION THAT IS PROPRIETARY TO MOLEX ELECTRONIC TECHNOLOGIES, LLC AND SHOULD NOT BE USED WITHOUT WRITTEN PERMISSION

DIMENSION UNITS IN/MM	SCALE 1:1	CURRENT REV DESC: OBSOLETE PART NUMBER AS PER PCN#509457.	molex			
GENERAL TOLERANCES (UNLESS SPECIFIED)		EC NO: 680890				ASSEMBLY, VERTICAL LOW PROFILE, MODULAR JACKS (CONNECTOR SIZE 4)
4 PLACES ±	±	DRWN: SANTHN	PRODUCT CUSTOMER DRAWING			
3 PLACES ±	± 0.01	CHK'D: GGA	DOCUMENT NUMBER	DOC TYPE	DOC PART	REVISION
2 PLACES ±	0.25 ±	APPR: GGA	SDA-42878-XXXX	PSD	001	J
1 PLACE ±	±	INITIAL REVISION:	SHEET NUMBER			
0 PLACES ±	±	DRWN: BAP	1990/10/12	SEE TABLE		
ANGULAR TOL ±	0.5 °	APPR: RAS	1990/10/12	GENERAL MARKET		3 OF 5
DRAFT WHERE APPLICABLE MUST REMAIN WITHIN DIMENSIONS	THIRD ANGLE PROJECTION	DRAWING	SERIES	MATERIAL NUMBER	CUSTOMER	SHEET NUMBER
		D-SIZE	42878			

ASSEMBLY NUMBER	PART CHARACTERISTICS			
	EXTERNAL CONNECTOR SIZE	NUMBER OF POSITIONS	P. C. BOARD THICKNESS	MOUNTING EARS OPTION
42878-4216	4 POS. BODY	4	.062	YES
42878-4218	4 POS. BODY	4	.062	NO

ASSEMBLY ITEM NUMBER	PART CHARACTERISTICS			
	EXTERNAL CONNECTOR SIZE	NUMBER OF POSITIONS	P. C. BOARD THICKNESS	MOUNTING EARS OPTION
42878-6216	6 POS. BODY	6	.062	YES
42878-6218	6 POS. BODY	6	.062	NO
42878-6362	6 POS. BODY	4	.062	NO
42878-6506	6 POS. BODY	2	.062	NO

CHARACTERISTICS LEGEND			
EXTERNAL CONNECTOR BODY DIMENSIONS: AVAILABLE IN 4, 6, AND 8 POSITION BODY			
NUMBER OF CONTACT POSITIONS: CONNECTOR SIZE 4 ACCOMMODATES 2, 4, OR 4 TERMINALS; CONNECTOR SIZE 6 ACCOMMODATES 2, 4, OR 6 TERMINALS; CONNECTOR SIZE 8 ACCOMMODATES 2, 4, 6, 8, OR 10 TERMINALS			
POLARIZATION OPTION: (AVAILABLE ON CONNECTOR SIZE 8 ONLY) "NO"= WITHOUT KEYING SLOT "YES"= WITH KEYING SLOT			
MOUNTING EARS OPTION: "YES"= PART WITH MOUNTING EARS "NO"= PART WITHOUT MOUNTING EARS			

(SEE SHEET 1 & 2 FOR PART DESCRIPTIONS AND DIMENSIONS)

THIS DRAWING CONTAINS INFORMATION THAT IS PROPRIETARY TO MOLEX ELECTRONIC TECHNOLOGIES, LLC AND SHOULD NOT BE USED WITHOUT WRITTEN PERMISSION AS PER PCN#509457.											
DIMENSION UNITS IN/MM		SCALE 1:1		CURRENT REV DESC: OBSOLETE PART NUMBER AS PER PCN#509457.				molex		ASSEMBLY, VERTICAL LOW PROFILE, MODULAR JACKS (CONNECTOR SIZE 4)	
GENERAL TOLERANCES (UNLESS SPECIFIED)				EC NO: 680890		2021/06/11					
		MM	INCH	DRWN: SANTHN		2021/11/25		PRODUCT CUSTOMER DRAWING			
4 PLACES ±		±	±	CHK'D: GGA		2021/11/25					
3 PLACES ±		±	0.01	APPR: GGA		2021/11/25		DOCUMENT NUMBER SDA-42878-XXXX			
2 PLACES ±		0.25	±	INITIAL REVISION:							
1 PLACE ±		±	±	DRWN: BAP		1990/10/12		DOC TYPE PSD		DOC PART 001	
0 PLACES ±		±	±	APPR: RAS		1990/10/12		REVISION J			
ANGULAR TOL ±		0.5 °		THIRD ANGLE PROJECTION		DRAWING D-SIZE		SERIES 42878		MATERIAL NUMBER SEE TABLE	
DRAFT WHERE APPLICABLE MUST REMAIN WITHIN DIMENSIONS		THIRD ANGLE PROJECTION		DRAWING		SERIES		MATERIAL NUMBER		CUSTOMER	
										SHEET NUMBER 4 OF 5	

DOCUMENT STATUS	P1	RELEASE DATE	2021/11/25	12:18:04
-----------------	----	--------------	------------	----------

ASSEMBLY ITEM NUMBER	PART CHARACTERISTICS				
	EXTERNAL CONNECTOR SIZE	NUMBER OF POSITIONS	P. C. BOARD THICKNESS	POLARIZATION OPTION	MOUNTING EARS OPTION
42878-8408	8 POS. BODY	8	.062	NO	YES
42878-8410	8 POS. BODY	8	.062	NO	NO
42878-8456	8 POS. BODY	8	.062	YES	YES
42878-8458	8 POS. BODY	8	.062	YES	NO
42878-8506	8 POS. BODY	8	.125	NO	NO

ASSEMBLY ITEM NUMBER	PART CHARACTERISTICS				
	EXTERNAL CONNECTOR SIZE	NUMBER OF POSITIONS	BOARD THICKNESS/ P.C. TAIL OPTION	POLARIZATION OPTION	MOUNTING EARS OPTION
42878-9370	8 POS. BODY	2	.125	NO	NO

ASSEMBLY ITEM NUMBER	PART CHARACTERISTICS				
	EXTERNAL CONNECTOR SIZE	NUMBER OF POSITIONS	BOARD THICKNESS/ P.C. TAIL OPTION	POLARIZATION OPTION	MOUNTING EARS OPTION
42878-1003	8 POS. BODY	10	.062	NO	NO

CHARACTERISTICS LEGEND
EXTERNAL CONNECTOR BODY DIMENSIONS: AVAILABLE IN 4, 6, AND 8 POSITION BODY
NUMBER OF CONTACT POSITIONS: CONNECTOR SIZE 4 ACCOMMODATES 2, OR 4 TERMINALS; CONNECTOR SIZE 6 ACCOMMODATES 2, 4, OR 6 TERMINALS; CONNECTOR SIZE 8 ACCOMMODATES 2, 4, 6, 8, OR 10 TERMINALS
POLARIZATION OPTION: (AVAILABLE ON CONNECTOR SIZE 8 ONLY) "NO"= WITHOUT KEYING SLOT "YES"= WITH KEYING SLOT
MOUNTING EARS OPTION: "YES"= PART WITH MOUNTING EARS "NO"= PART WITHOUT MOUNTING EARS
(SEE SHEET 3 FOR PART DESCRIPTIONS AND DIMENSIONS)

THIS DRAWING CONTAINS INFORMATION THAT IS PROPRIETARY TO MOLEX ELECTRONIC TECHNOLOGIES, LLC AND SHOULD NOT BE USED WITHOUT WRITTEN PERMISSION									
DIMENSION UNITS IN/MM		SCALE 1:1		CURRENT REV DESC: OBSOLETE PART NUMBER AS PER PCN#509457.				molex	
GENERAL TOLERANCES (UNLESS SPECIFIED)				EC NO: 680890		2021/06/11			
		MM	INCH	DRWN: SANTHN		2021/11/25		ASSEMBLY, VERTICAL LOW PROFILE, MODULAR JACKS (CONNECTOR SIZE 4)	
4 PLACES		±	±	CHK'D: GGA		2021/11/25		PRODUCT CUSTOMER DRAWING	
3 PLACES		±	± 0.01	APPR: GGA		2021/11/25		DOCUMENT NUMBER	
2 PLACES		±	0.25	INITIAL REVISION:		1990/10/12		SDA-42878-XXXX	
1 PLACE		±	±	DRWN: BAP		1990/10/12		PSD 001 J	
0 PLACES		±	±	APPR: RAS		1990/10/12		REVISION	
ANGULAR TOL		±	0.5 °	THIRD ANGLE PROJECTION		DRAWING		SHEET NUMBER	
DRAFT WHERE APPLICABLE MUST REMAIN WITHIN DIMENSIONS						D-SIZE		5 OF 5	
				SERIES		MATERIAL NUMBER		CUSTOMER	
				42878		SEE TABLE		GENERAL MARKET	

DOCUMENT STATUS	P1	RELEASE DATE	2021/11/25	12:18:04
-----------------	----	--------------	------------	----------