

MATERIALS AND FINISHES:

BODY, JAM NUT: BRASS
FINISH: SEE TABLE

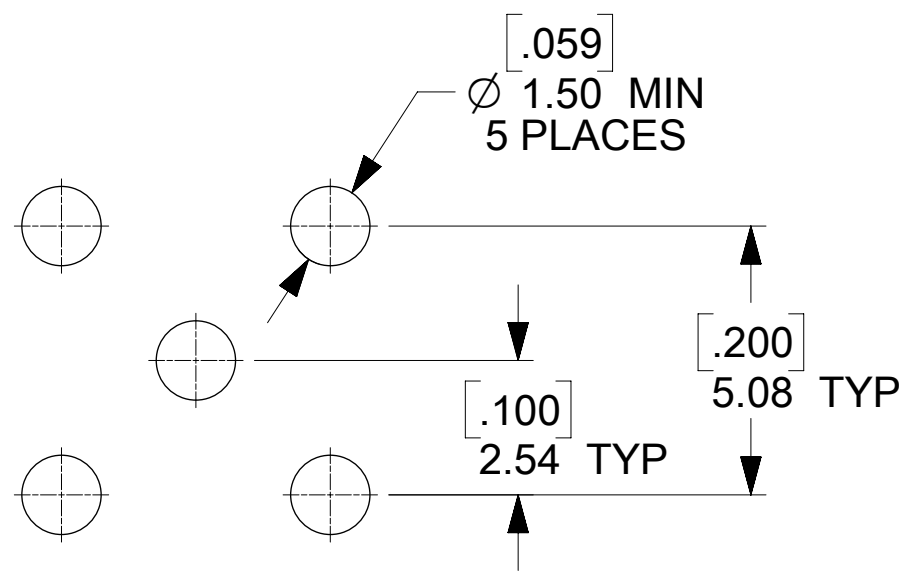
CENTER CONTACT: BERYLLIUM COPPER
PLATED GOLD

INSULATOR: TEFLON

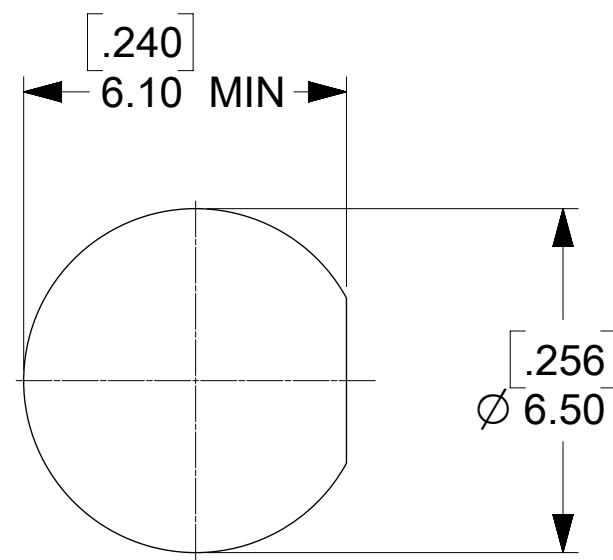
LOCKWASHER: PHOSPHOR BRONZE
FINISH: SEE TABLE

ELECTRICAL REQUIREMENTS:

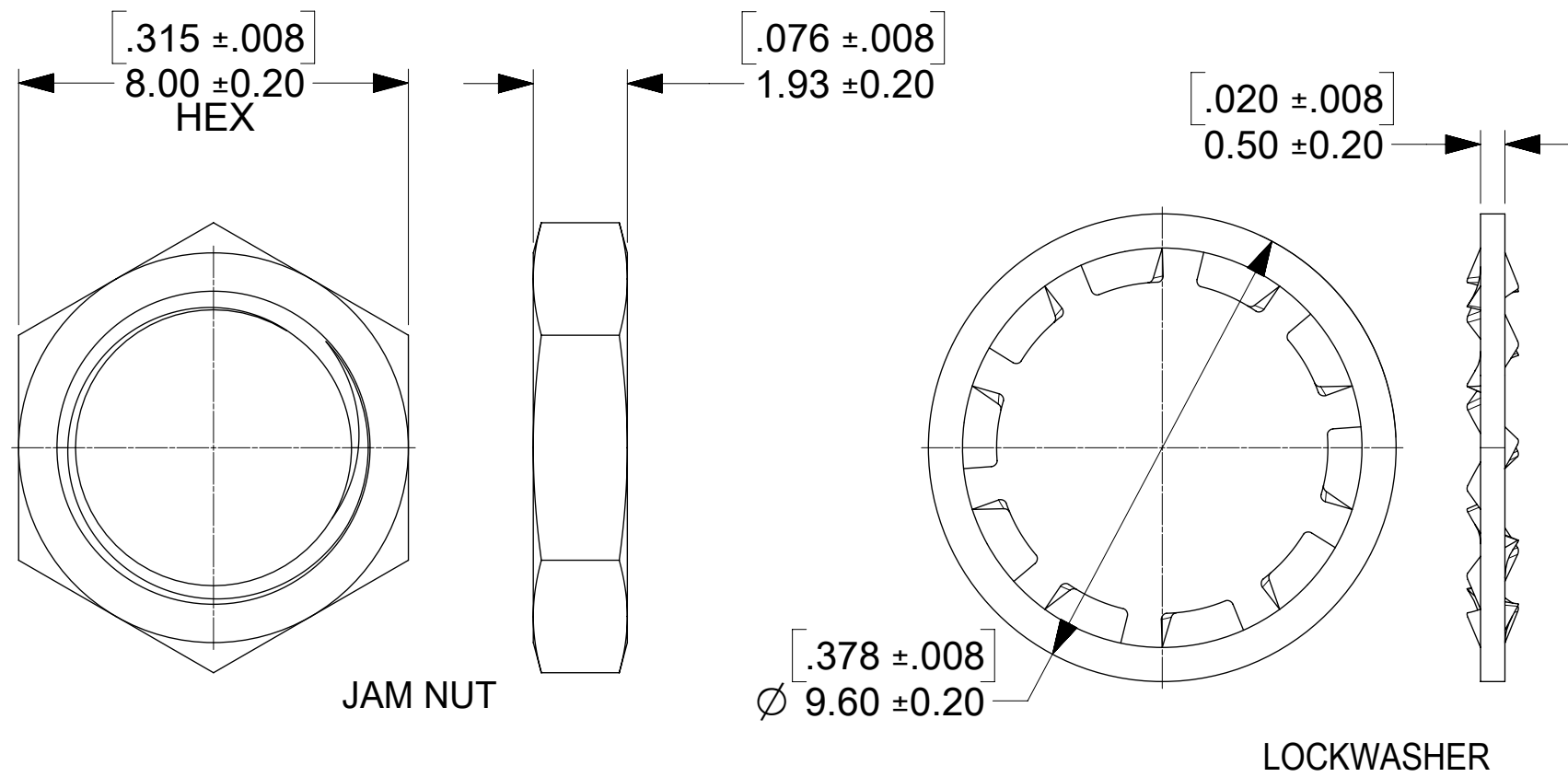
- VOLTAGE STANDING WAVE RATIO
 - 1.1(MAX) @0-6GHz.
 - 1.5(MAX) @6-12GHz.
 - 1.8(MAX) @12-18GHz.
- RF INSERTION LOSS:
 - 0.1(MAX) @0-6GHz.
 - 0.4(MAX) @6-12GHz.
 - 0.7(MAX) @12-18GHz.



RECOMMENDED PCB LAYOUT



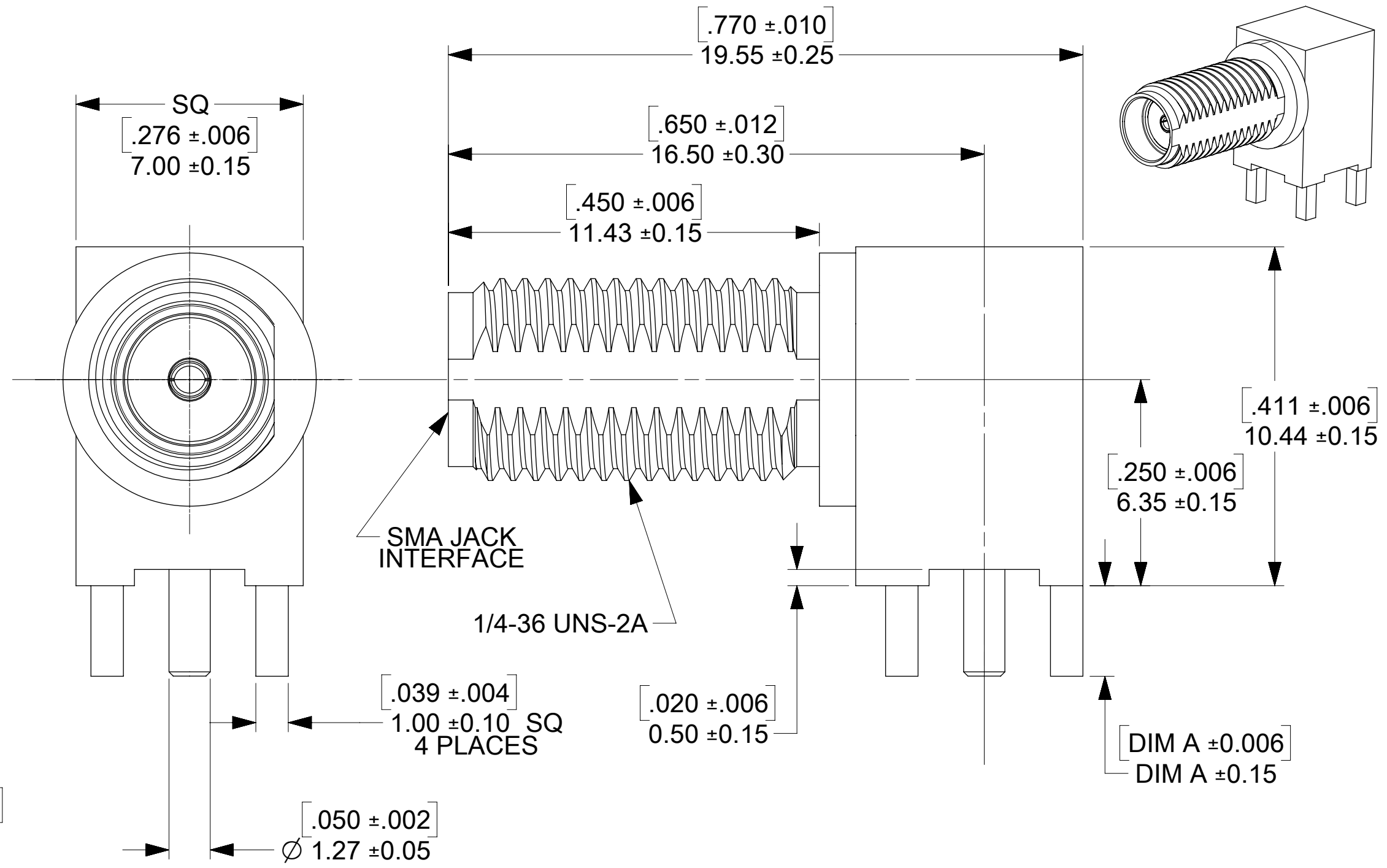
RECOMMENDED PANEL CUTOUT



JAM NUT

LOCKWASHER

PS-89675-368	SOLDER SPEC PROFILE
PS-89675-346	ELECTRO/MECH PERFORM.
SPECIFICATION	DESCRIPTION



SEE SD-73251-496 FOR PART NO. CONTINUATION

73251-2209	GOLD FLASH / STANDARD TRAY	3.94	.155
73251-2208	GOLD FLASH/STANDARD TRAY W/O WASHER AND NUT	3.94	.155
73251-2207	73251-2201 PACKAGED ONE PER BAG	2.79	.110
73251-2206	SAME AS 73251-2201 EXCEPT COMMERCIAL CONTACT	2.79	.110
73251-2205	SAME AS 73251-2200 EXCEPT COMMERCIAL CONTACT	2.79	.110
73251-2204	GOLD FLASH/STANDARD TRAY W/O WASHER AND NUT	2.79	.110
73251-2203	GOLD FLASH / STANDARD TRAY (54 CAVITY)	2.79	.110
73251-2202	73251-2201 PACKAGED IN SMALL TRAY (20 CAVITY)	2.79	.110
73251-2201	GOLD / STANDARD TRAY	2.79	.110
73251-2200	NICKEL / STANDARD TRAY	2.79	.110
PART NO.	PLATING (BODY, NUT, LOCKWASHER) AND PACKAGING	mm	IN
		DIM A	

FUNCTIONAL SYMBOLS	THIS DRAWING CONTAINS INFORMATION THAT IS PROPRIETARY TO MOLEX ELECTRONIC TECHNOLOGIES, LLC AND SHOULD NOT BE USED WITHOUT WRITTEN PERMISSION			
	DIMENSION UNITS	SCALE	CURRENT REV DESC: ADD SOLDER SPEC NO. PER EWR14716-B	
$\nabla_A = 0$	mm	NTS		
$\nabla_C = 0$	GENERAL TOLERANCES (UNLESS SPECIFIED)			
	ANGULAR TOL ± °			
DIVISIONAL SYMBOLS	4 PLACES	±	EC NO: 675413	
	3 PLACES	±	DRWN: CWEI02	2021/08/24
	2 PLACES	±	CHK'D: YCHENG	2021/08/26
	1 PLACE	±	APPR: YCHENG	2021/08/26
0 PLACES	±	INITIAL REVISION:		
DRAFT WHERE APPLICABLE MUST REMAIN WITHIN DIMENSIONS		THIRD ANGLE PROJECTION	DRAWING	SERIES
			C-SIZE	73251
DOCUMENT STATUS		RELEASE DATE	DOC TYPE	DOC PART
P1	2021/08/26 10:31:44	PSD	000	D14
MATERIAL NUMBER		CUSTOMER	SHEET NUMBER	
SEE TABLE		GENERAL MARKET	1 OF 1	

molex

SMA JACK, R/A PCB 50 OHM
SMA-J/RA/PCB EWR-2144

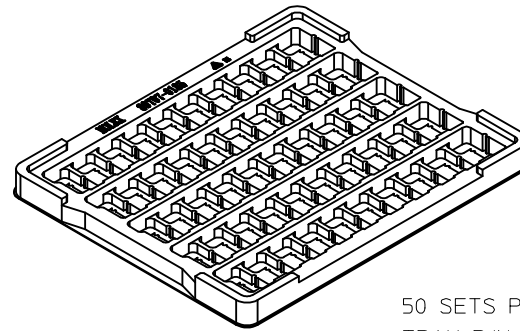
PRODUCT CUSTOMER DRAWING

SD-73251-220

PSD 000 D14

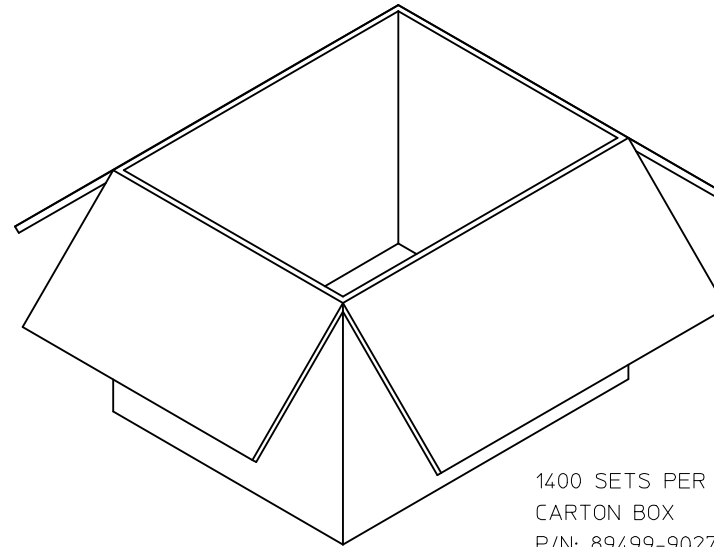


P/N: 73251-2200 / 73251-2201
 73251-2205 / 73251-2206
 73251-2208 / 73251-2209



50 SETS PER TRAY
 TRAY P/N: 89707-0185

FOR 73251-2200, 73251-2201,
 73251-2205, 73251-2206,
 73251-2208, AND 73251-2209

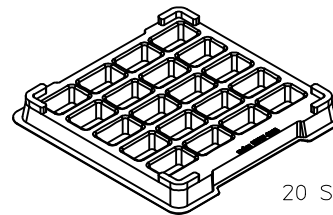


1400 SETS PER OUTER
 CARTON BOX
 P/N: 89499-9027

CHG NEW RELEASE PER RF13-E131 EC NO: URF2013-0734 DRAWN BY: RYEH 2013/06/28 CHKD: KERRIE APPR: MHUANG 2013/07/26	QUALITY SYMBOLS = 0 = 0 = 0	GENERAL TOLERANCES (UNLESS SPECIFIED) <table border="1"> <tr> <th></th> <th>mm</th> <th>INCH</th> </tr> <tr> <td>4 PLACES</td> <td>± .005</td> <td>± .0002</td> </tr> <tr> <td>3 PLACES</td> <td>± .005</td> <td>± .0002</td> </tr> <tr> <td>2 PLACES</td> <td>± .005</td> <td>± .0002</td> </tr> <tr> <td>1 PLACE</td> <td>± .005</td> <td>± .0002</td> </tr> <tr> <td>0 PLACE</td> <td>± .005</td> <td>± .0002</td> </tr> </table>		mm	INCH	4 PLACES	± .005	± .0002	3 PLACES	± .005	± .0002	2 PLACES	± .005	± .0002	1 PLACE	± .005	± .0002	0 PLACE	± .005	± .0002	DIMENSION STYLE MM/IN DRAWN BY: RYEH DATE: 2013/06/28 CHECKED BY: KERRIE DATE: 2013/06/28 APPROVED BY: MHUANG DATE: 2013/07/26	SCALE: 2.5:1 DESIGN UNITS: METRIC THIRD ANGLE PROJECTION	SMA JACK R/A PCB TH 50 OHMS SMA-J/PCB 	MATERIAL NO. SEE TABLE	DOCUMENT NO. SD-73251-220-PKG	SHEET NO. 1 OF 4
		mm	INCH																							
	4 PLACES	± .005	± .0002																							
	3 PLACES	± .005	± .0002																							
2 PLACES	± .005	± .0002																								
1 PLACE	± .005	± .0002																								
0 PLACE	± .005	± .0002																								
A	DRAFT WHERE APPLICABLE MUST REMAIN WITHIN DIMENSIONS	ANGULAR ± 2°	SIZE C	THIS DRAWING CONTAINS INFORMATION THAT IS PROPRIETARY TO MOLEX INCORPORATED AND SHOULD NOT BE USED WITHOUT WRITTEN PERMISSION																						

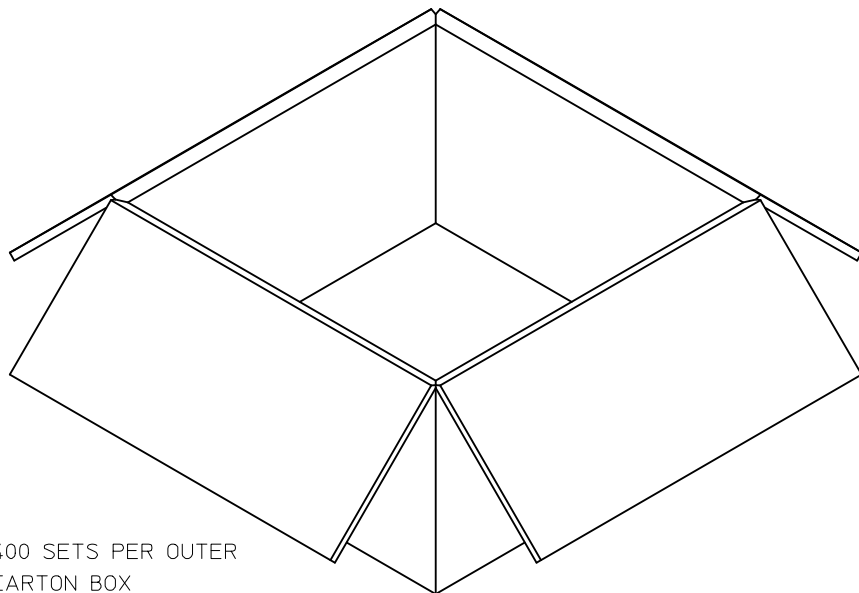


P/N: 73251-2202

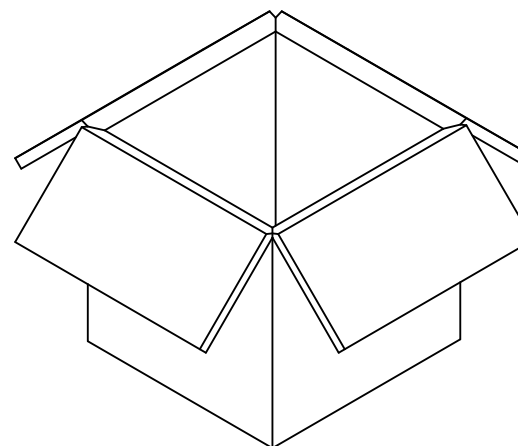


20 SETS PER TRAY
TRAY P/N: 89707-0308

FOR 73251-2202 ONLY



400 SETS PER OUTER
CARTON BOX
P/N: 96707-0002



200 SETS PER INNER
CARTON BOX
P/N: 96707-0005

CHG:SEE SHEET 1
EC NO: URF2013-0734
DRAWN:RYEH
CHKD:
APPR:MHUANG

2013/06/28
2013/07/26

DESCRIPTION

REV	DESCRIPTION	QUALITY SYMBOLS
A		▽=0
		▽=0
		▽=0

GENERAL TOLERANCES (UNLESS SPECIFIED)

	mm	INCH
4 PLACES	± .005	± .0008
3 PLACES	± .005	± .0008
2 PLACES	± .005	± .0008
1 PLACE	± .005	± .0008
0 PLACE	± .005	± .0008

ANGULAR ± 2°

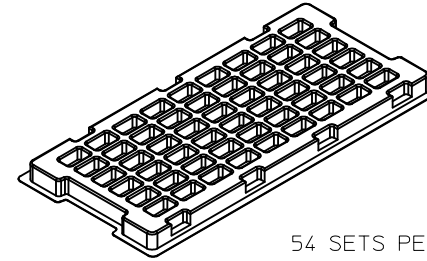
DRAFT WHERE APPLICABLE MUST REMAIN WITHIN DIMENSIONS

DIMENSION STYLE		SCALE		DESIGN UNITS	
MM/IN		2:1		METRIC	
DRAWN BY	DATE	TITLE			
RYEH	2013/06/28	SMA JACK R/A PCB TH			
CHECKED BY	DATE	50 OHMS			
KERRIE	2013/06/28	SMA-J/PCB			
APPROVED BY	DATE	molex			
MHUANG	2013/07/26				
MATERIAL NO.	DOCUMENT NO.	SHEET NO.			
SEE TABLE	SD-73251-220-PKG	2 OF 4			

THIS DRAWING CONTAINS INFORMATION THAT IS PROPRIETARY TO MOLEX INCORPORATED AND SHOULD NOT BE USED WITHOUT WRITTEN PERMISSION

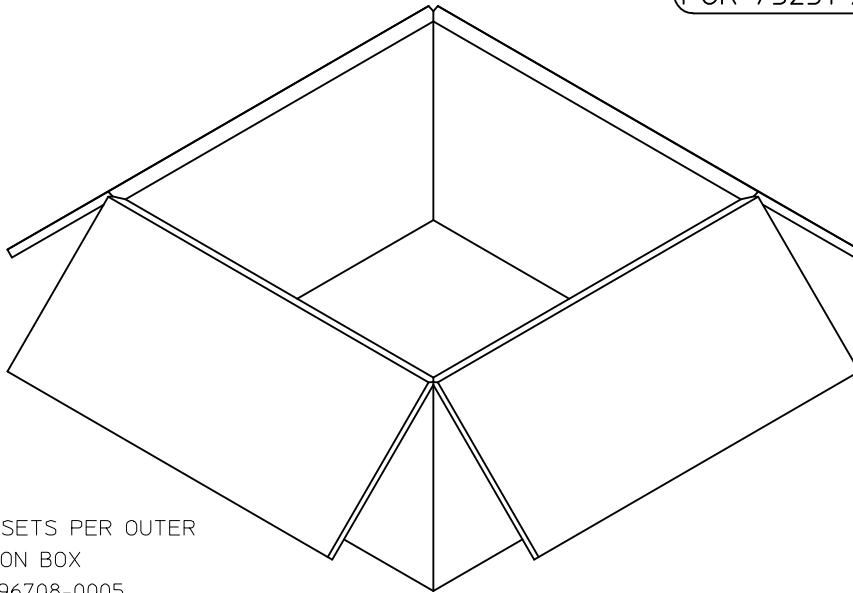


P/N: 73251-2203 / 73251-2204

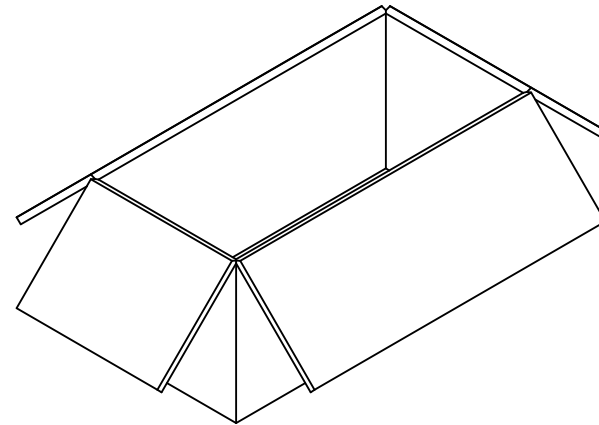


54 SETS PER TRAY
TRAY P/N: 89707-0220

FOR 73251-2203 AND 73251-2204



1080 SETS PER OUTER
CARTON BOX
P/N: 96708-0005



540 SETS PER INNER
CARTON BOX
P/N: 96707-0001

CHG:SEE SHEET 1
EC NO: URF2013-0734
DRAWN:RYEH 2013/06/28
CHKD:
APPR:MHUANG 2013/07/26

REV	DESCRIPTION
A	

QUALITY SYMBOLS	
	=0
	=0
	=0

GENERAL TOLERANCES (UNLESS SPECIFIED)	
	mm
4 PLACES	± .005
3 PLACES	± .004
2 PLACES	± .003
1 PLACE	± .002
0 PLACE	± .001

DIMENSION STYLE	
MM/IN	DATE
MM/IN	2013/06/28

SCALE	DESIGN UNITS	THIRD ANGLE PROJECTION
2:1	METRIC	

DRAWN BY		DATE	
RYEH		2013/06/28	

CHECKED BY		DATE	
KERRIE		2013/06/28	

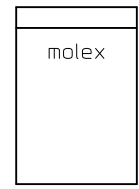
APPROVED BY		DATE	
MHUANG		2013/07/26	

TITLE		DOCUMENT NO.		SHEET NO.	
SMA JACK R/A PCB TH 50 OHMS SMA-J/PCB		SD-73251-220-PKG		3 OF 4	

THIS DRAWING CONTAINS INFORMATION THAT IS PROPRIETARY TO MOLEX INCORPORATED AND SHOULD NOT BE USED WITHOUT WRITTEN PERMISSION

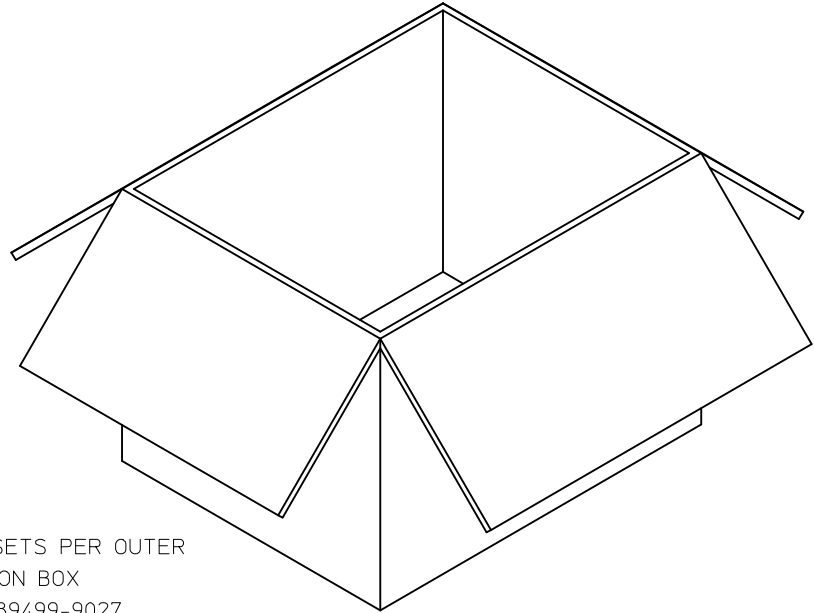


P/N: 73251-2207

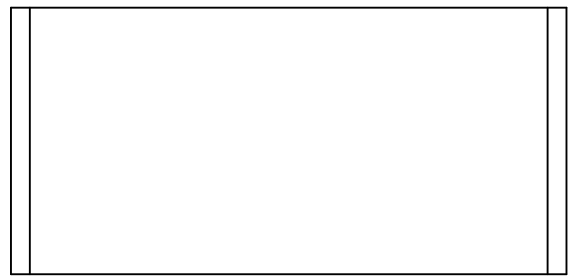


1 SET PER POLYBAG
P/N: 89707-0317

FOR 73251-2207 ONLY



500 SETS PER OUTER
CARTON BOX
P/N: 89499-9027



50 SETS PER POLYBAG
P/N: 89707-0174

CHG:SEE SHEET 1 EC NO: URF2013-0734 DRAWN:RYEH CHKD: APPR:MHUANG 2013/06/28 2013/07/26	DESCRIPTION REV	QUALITY SYMBOLS	GENERAL TOLERANCES (UNLESS SPECIFIED)	DIMENSION STYLE	SCALE	DESIGN UNITS	THIRD ANGLE PROJECTION	
		▽=0	mm INCH	MM/IN	1:1	METRIC	☉	
		▽=0	4 PLACES ± --- ± ---	DRAWN BY DATE	TITLE			
		▽=0	3 PLACES ± --- ± ---	RYEH 2013/06/28	SMA JACK R/A PCB TH			
		2 PLACES ± --- ± ---	CHECKED BY DATE	50 OHMS				
		1 PLACE ± --- ± ---	KERRIE 2013/06/28	SMA-J/PCB				
		0 PLACE ± --- ± ---	APPROVED BY DATE	molex				
			MHUANG 2013/07/26	MATERIAL NO.		DOCUMENT NO.	SHEET NO.	
			ANGULAR ± 2 °	SEE TABLE		SD-73251-220-PKG	4 OF 4	
			DRAFT WHERE APPLICABLE MUST REMAIN WITHIN DIMENSIONS	THIS DRAWING CONTAINS INFORMATION THAT IS PROPRIETARY TO MOLEX INCORPORATED AND SHOULD NOT BE USED WITHOUT WRITTEN PERMISSION				

MATERIALS AND FINISHES:

BODY, JAM NUT: BRASS
FINISH: SEE TABLE

CENTER CONTACT: BERYLLIUM COPPER
PLATED GOLD

INSULATOR: TEFLON

LOCK WASHER: PHOSPHOR BRONZE
FINISH: SEE TABLE

PACKAGING: SEE TABLE

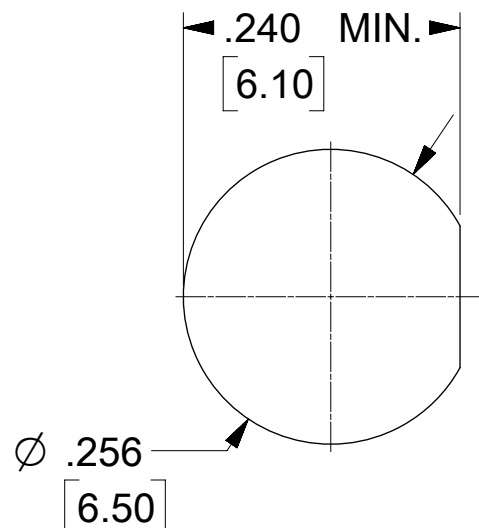
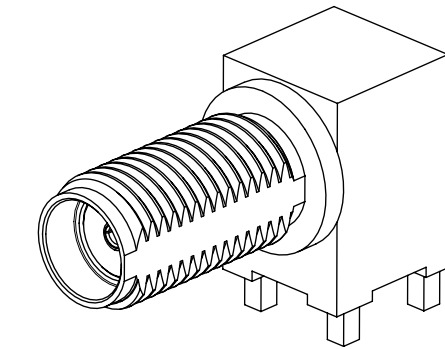
ELECTRICAL REQUIREMENTS:

1. VOLTAGE STANDING WAVE RATIO

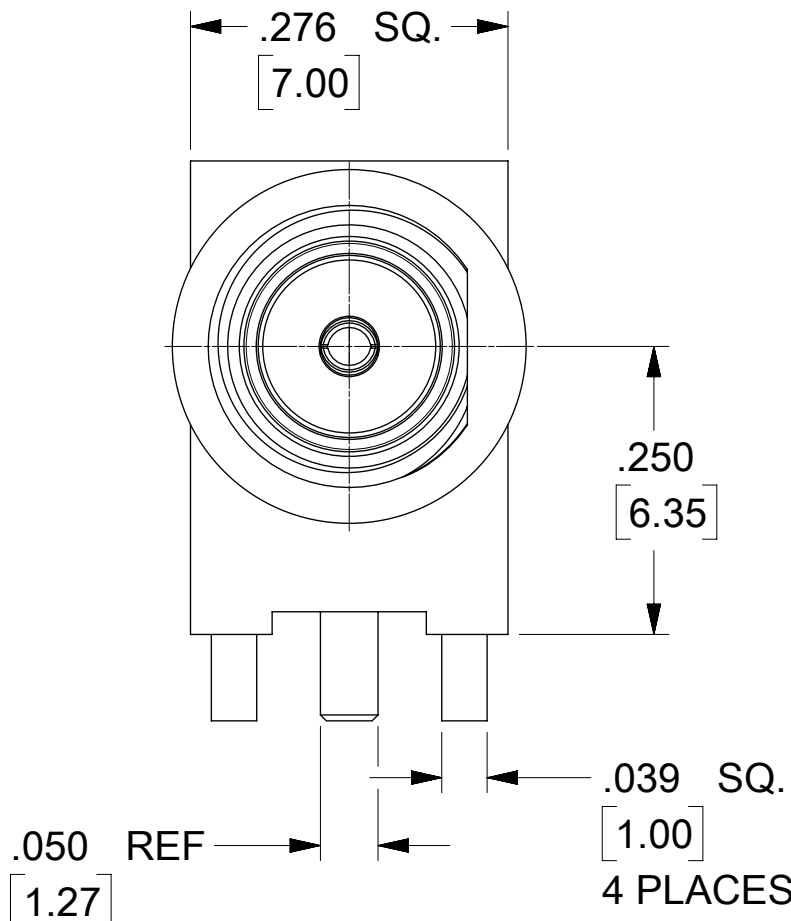
- 1.1(MAX) @0-6GHz.
- 1.5(MAX) @6-12GHz.
- 1.8(MAX) @12-18GHz.

2. RF INSERTION LOSS:

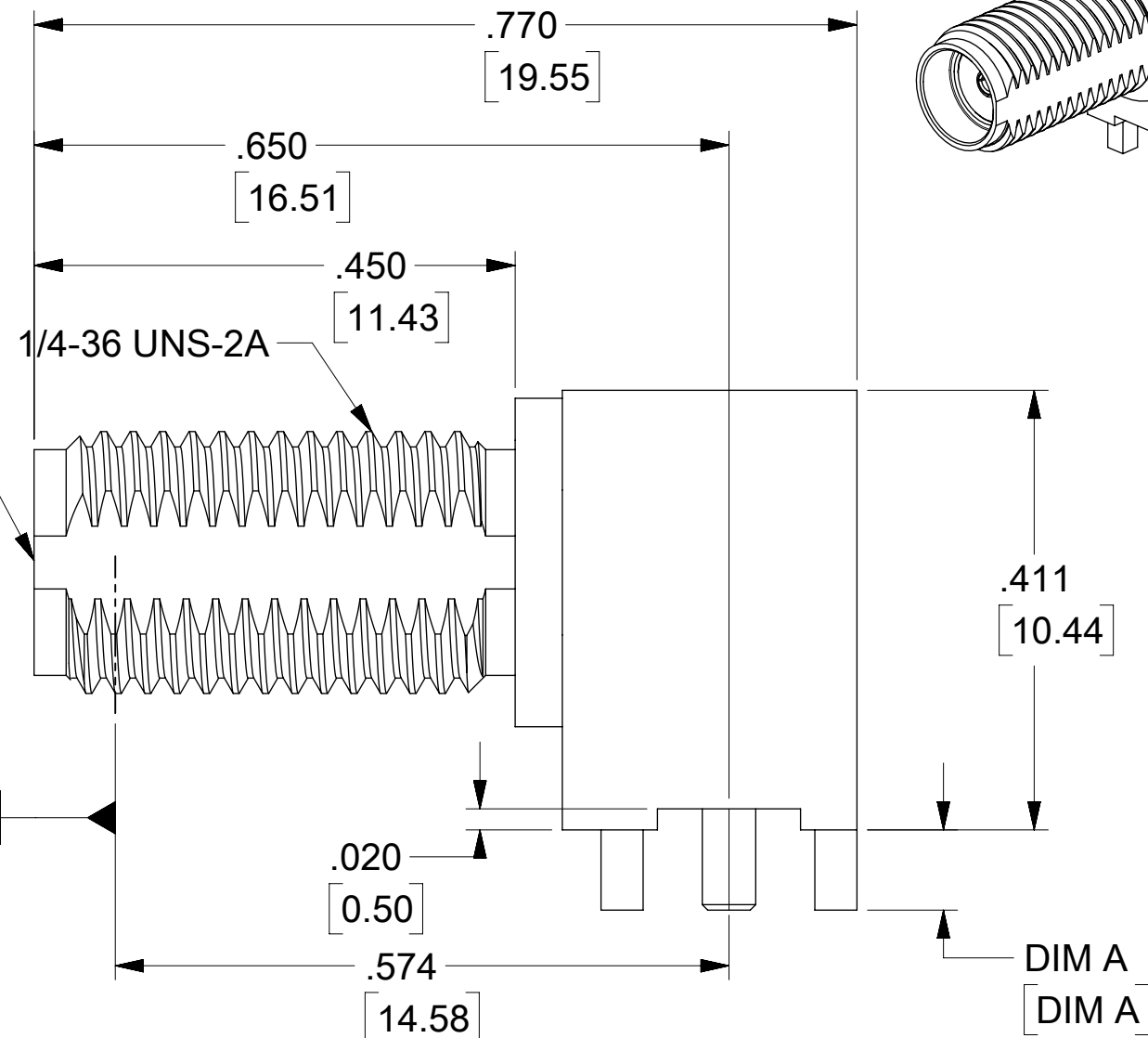
- 0.1(MAX) @0-6GHz.
- 0.4(MAX) @6-12GHz.
- 0.7(MAX) @12-18GHz.



PANEL CUTOUT
.135 / 3.42 MAX THICKNESS

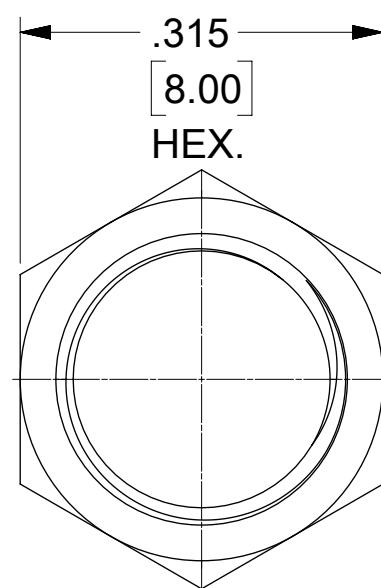


SMA JACK INTERFACE

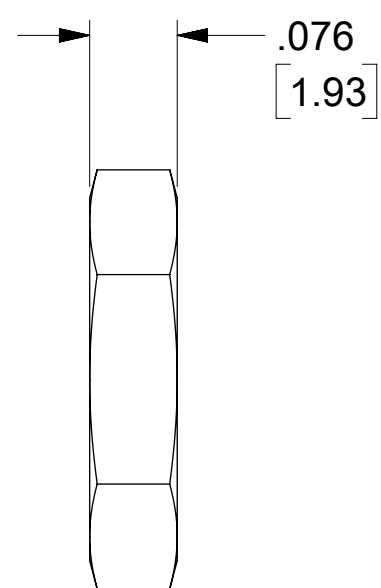


DIM A
DIM A

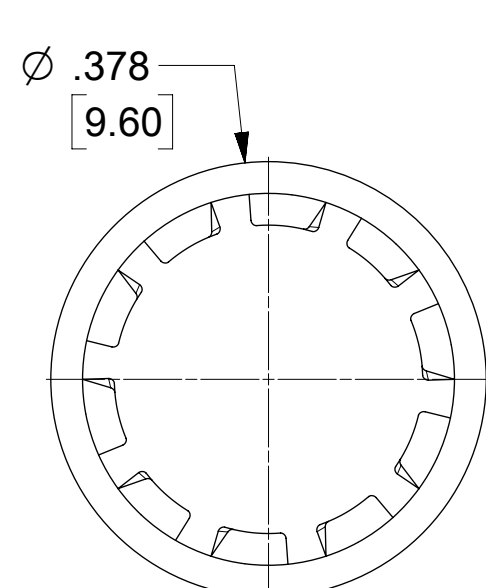
73251-4967	73251-2201 TAPE AND REEL
73251-4966	BAG
73251-4965	TRAY
73251-4964	
73251-4963	
73251-4962	
73251-4961	
73251-4960	
PART NO.	PACKAGING



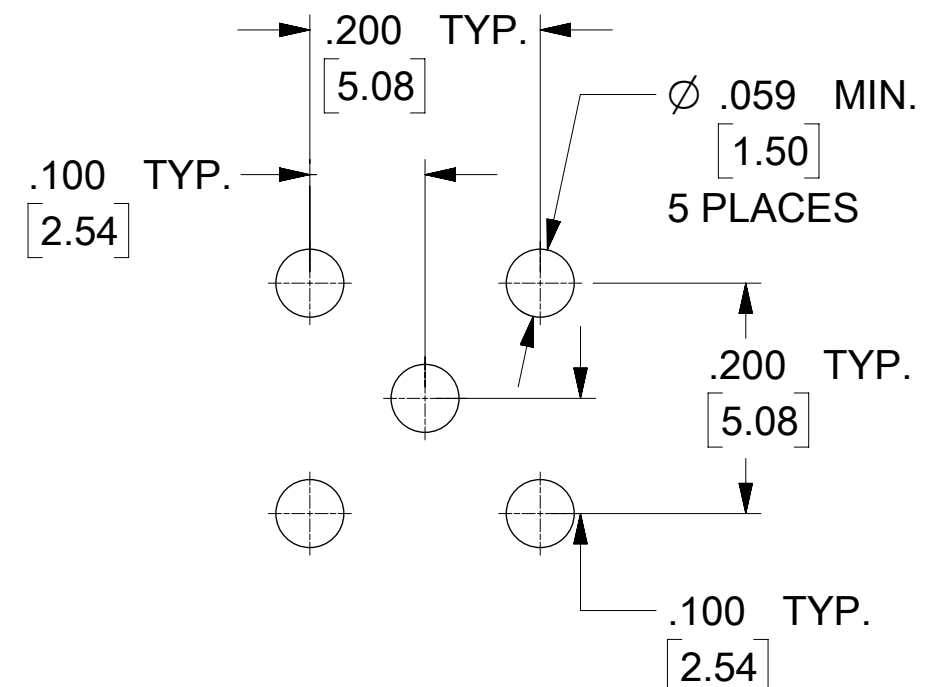
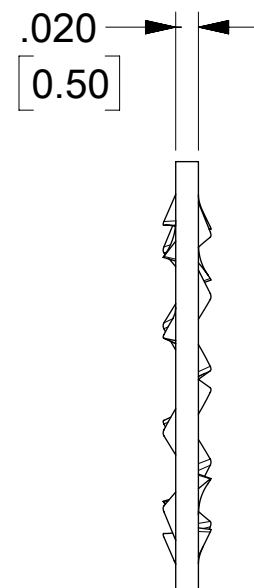
HEX.



JAM NUT



LOCK WASHER



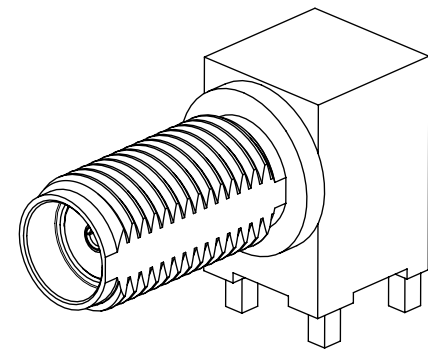
RECOMMENDED PCB LAYOUT

SD-73251-496 IS CONTINUATION FOR SD-73251-220

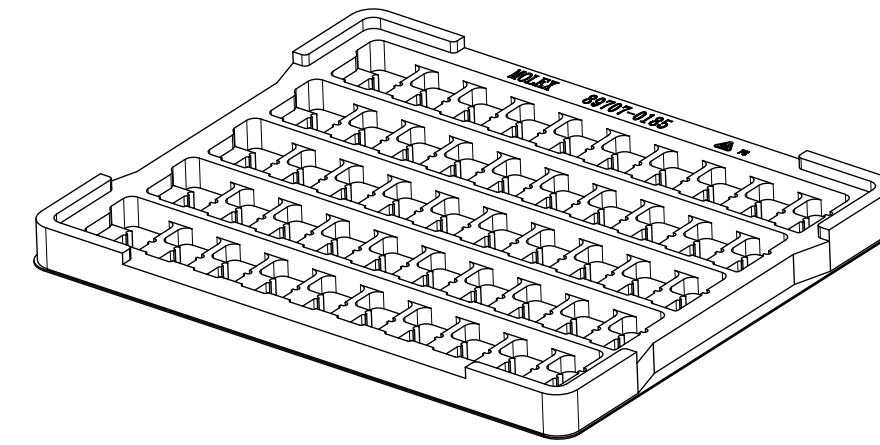
PART NO.	JAM NUT QTY	WASHER QTY	IN / MM	BODY	CONTACT	JAM NUT & LOCK WASHER
73251-4967	1	1	.110 / 2.79	GOLD (5μ-in MIN) OVER NICKEL (50μ-in MIN)	GOLD (30μ-in MIN) OVER NICKEL(100μ-in MIN)	GOLD (1μ-in MIN) OVER NICKEL (50μ-in MIN)
73251-4966	1	1	.110 / 2.79	NICKEL (100μ-in MIN)	GOLD (30μ-in MIN) OVER NICKEL(100μ-in MIN)	NICKEL (100μ-in MIN)
73251-4965	2	1	.110 / 2.79	GOLD (5μ-in MIN) OVER NICKEL (50μ-in MIN)	GOLD (30μ-in MIN) OVER NICKEL(100μ-in MIN)	GOLD (1μ-in MIN) OVER NICKEL (50μ-in MIN)
73251-4964	1	1	.075 / 1.91	GOLD (5μ-in MIN) OVER NICKEL (50μ-in MIN)	GOLD (30μ-in MIN) OVER NICKEL(100μ-in MIN)	GOLD (1μ-in MIN) OVER NICKEL (50μ-in MIN)
73251-4963	NOT INCLUDED	NOT INCLUDED	.110 / 2.79	GOLD (5μ-in MIN) OVER NICKEL (50μ-in MIN)	GOLD (30μ-in MIN) OVER NICKEL(100μ-in MIN)	-----
73251-4962	1	NOT INCLUDED	.110 / 2.79	NICKEL (100μ-in MIN)	GOLD (30μ-in MIN) OVER NICKEL(100μ-in MIN)	NICKEL (100μ-in MIN)
73251-4961	2	1	.155 / 3.94	GOLD (1μ-in MIN) OVER NICKEL (50μ-in MIN)	GOLD (1μ-in MIN) OVER NICKEL (50μ-in MIN)	GOLD (1μ-in MIN) OVER NICKEL (50μ-in MIN)
73251-4960	1	1	.075 / 1.91	GOLD (1μ-in MIN) OVER NICKEL (50μ-in MIN)	GOLD (1μ-in MIN) OVER NICKEL (50μ-in MIN)	GOLD (1μ-in MIN) OVER NICKEL (50μ-in MIN)
	INCLUDED	INCLUDED	DIM A	PLATING	PLATING	PLATING

PS-89675-3460	PRODUCT SPECIFICATION
MIL-STD-348A, FIG. 310.2	INTERFACE
SPECIFICATION	DESCRIPTION

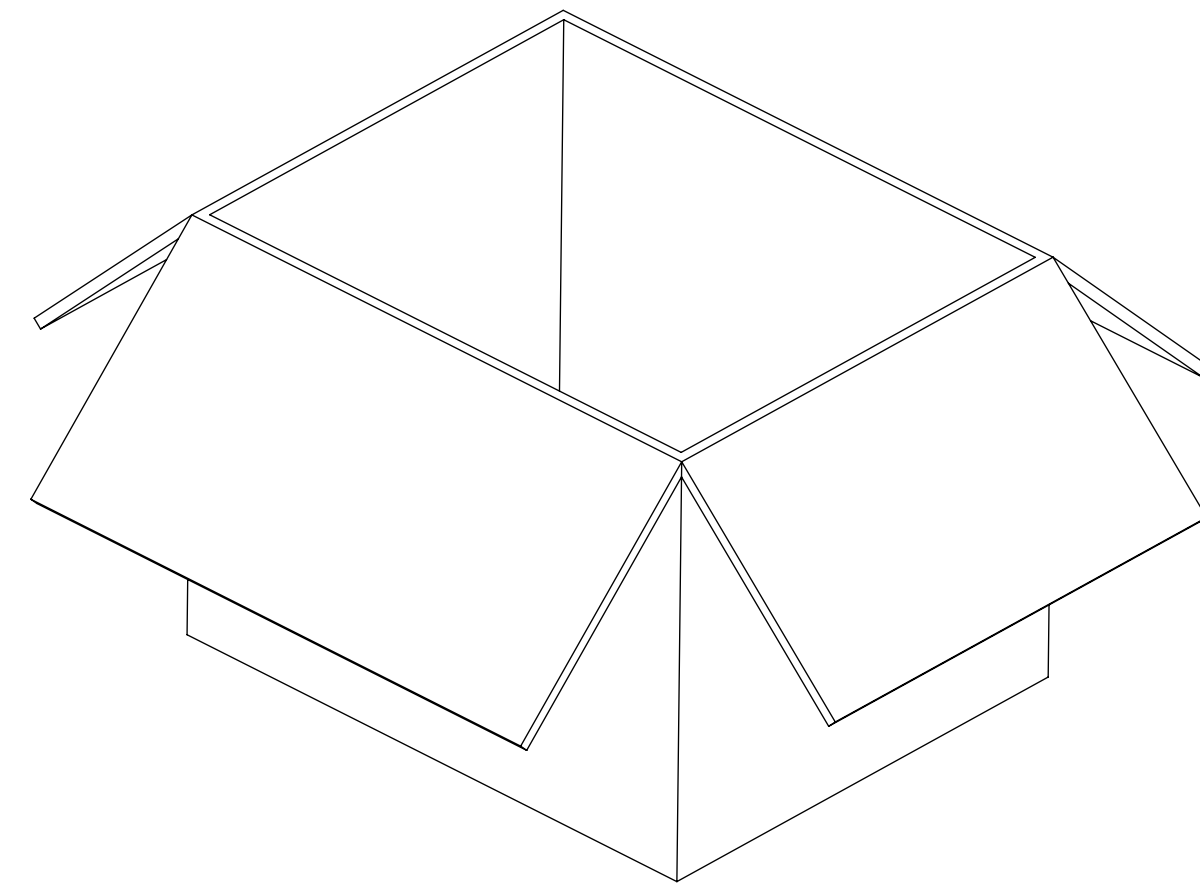
FUNCTIONAL SYMBOLS		THIS DRAWING CONTAINS INFORMATION THAT IS PROPRIETARY TO MOLEX ELECTRONIC TECHNOLOGIES, LLC AND SHOULD NOT BE USED WITHOUT WRITTEN PERMISSION	
FA = 0	DIMENSION UNITS	SCALE	CURRENT REV DESC: ADD P/N 73251-4967 FOR TR PACKAGING PER EWR14716-C
EA = 0	INCH/MM	NTS	
EP = 0	GENERAL TOLERANCES (UNLESS SPECIFIED)		
	ANGULAR TOL ± °		
	4 PLACES ±		EC NO: 737836
	3 PLACES ±		DRWN: CWEI02 2023/02/03
	2 PLACES ±		CHK'D: YCHENG 2023/02/10
	1 PLACE ±		APPR: YCHENG 2023/02/10
	0 PLACES ±		INITIAL REVISION:
			DRWN: AROBERTSON 2012/11/21
			APPR: JWIENER 2012/11/27
DIVISIONAL SYMBOLS		THIRD ANGLE PROJECTION	DRAWING SERIES
DRAFT WHERE APPLICABLE MUST REMAIN WITHIN DIMENSIONS		C-SIZE	73251
DOCUMENT STATUS		MATERIAL NUMBER	CUSTOMER
P1	RELEASE DATE 2023/02/10 08:51:15	SEE TABLE	GENERAL MARKET
		DOC TYPE	DOC PART
		PSD	000
		REVISION	B10
		SHEET NUMBER	
		1 OF 6	




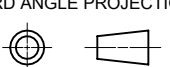
PART NO : 73251-4960
 PART NO: 73251-4962
 PART NO: 73251-4963
 PART NO: 73251-4964
 PART NO: 73251-4965



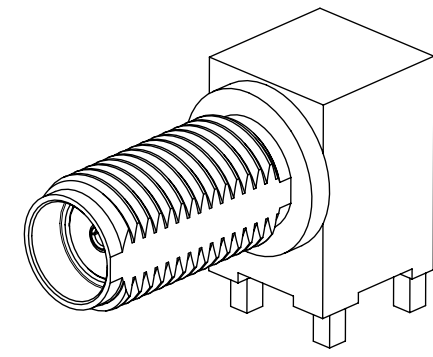
50 SET PER TRAY
 P/N: 89707-0185



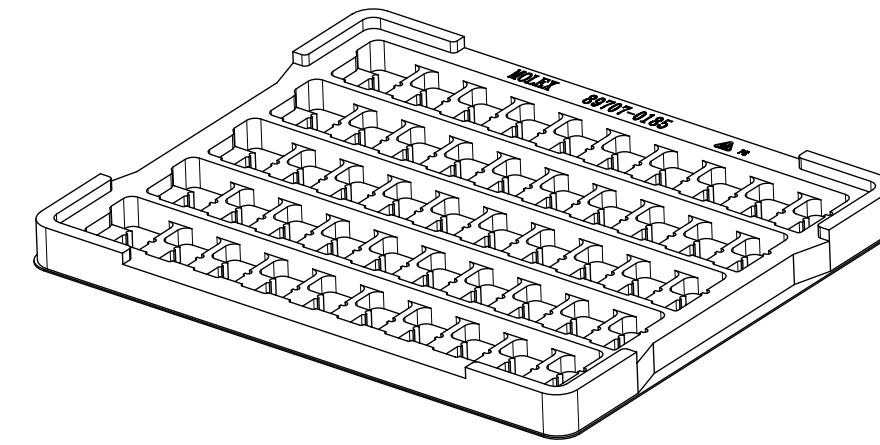
1400 SET PER OUTER CARTON BOX
 P/N: 89499-9027

FUNCTIONAL SYMBOLS	THIS DRAWING CONTAINS INFORMATION THAT IS PROPRIETARY TO MOLEX ELECTRONIC TECHNOLOGIES, LLC AND SHOULD NOT BE USED WITHOUT WRITTEN PERMISSION										
	DIMENSION UNITS	SCALE	CURRENT REV DESC: ADD P/N 73251-4967 FOR TR PACKAGING PER EWR14716-C								
$\frac{F}{A} = 0$	INCH/MM	NTS	EWR-14242-J ADDED LABEL FORMAT FOR 73251-4966								
$\frac{F}{C} = 0$	GENERAL TOLERANCES (UNLESS SPECIFIED)		EC NO: 737836							PRODUCT CUSTOMER DRAWING	
$\frac{F}{P} = 0$	ANGULAR TOL ± °		4 PLACES ±				2023/02/03			DOCUMENT NUMBER	
DIVISIONAL SYMBOLS	3 PLACES ±		CHK'D: YCHENG				2023/02/10			DOC TYPE	
	2 PLACES ±		APPR: YCHENG				2023/02/10			DOC PART	
	1 PLACE ±		INITIAL REVISION:							REVISION	
	0 PLACES ±		DRWN: AROBERTSON				2012/11/21			SD-73251-496	
	DRAFT WHERE APPLICABLE MUST REMAIN WITHIN DIMENSIONS		THIRD ANGLE PROJECTION		DRAWING	SERIES	MATERIAL NUMBER	CUSTOMER	SHEET NUMBER		
					C-SIZE	73251	SEE TABLE	GENERAL MARKET	2 OF 6		

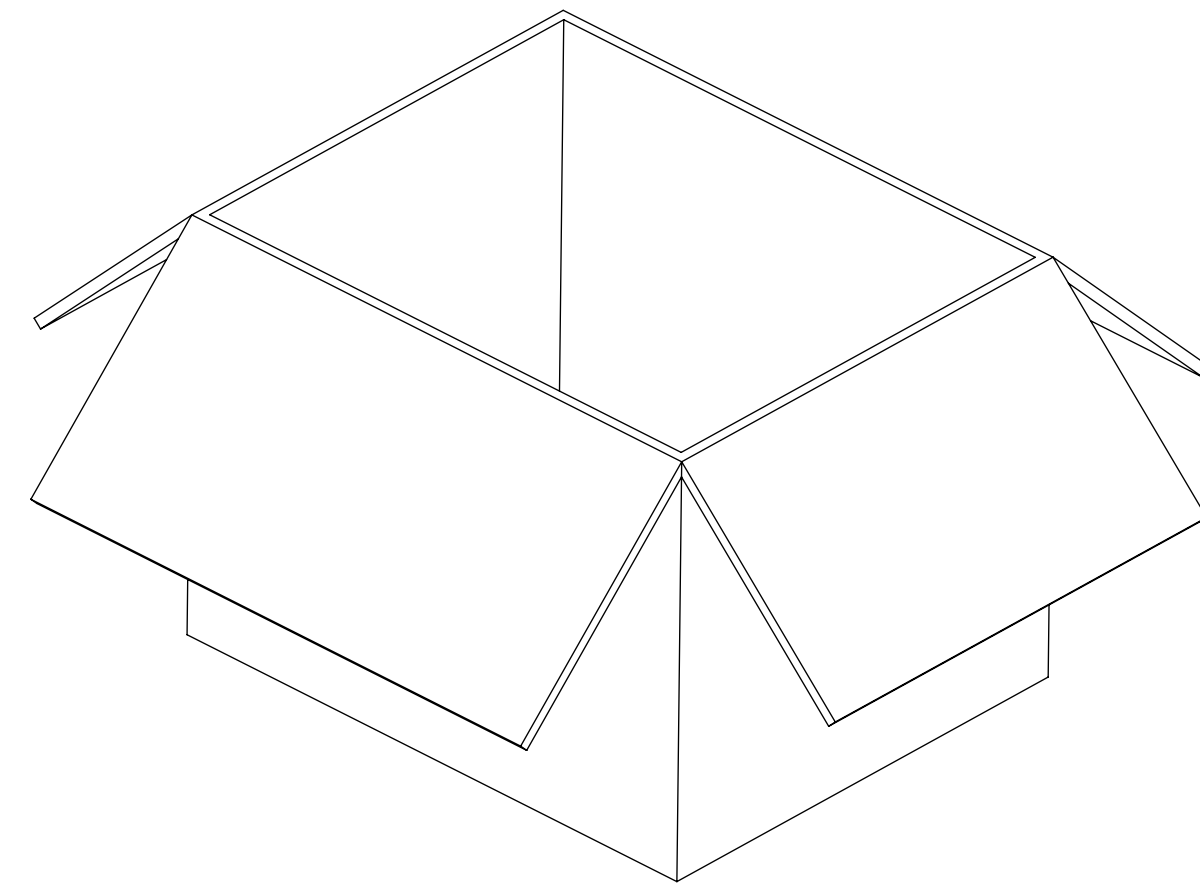
DOCUMENT STATUS	P1	RELEASE DATE	2023/02/10	08:51:15
-----------------	----	--------------	------------	----------




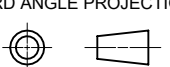
PART NO : 73251-4961



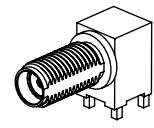
50 SET PER TRAY
P/N: 89707-0185



1200 SET PER OUTER CARTON BOX
P/N: 89499-9027

FUNCTIONAL SYMBOLS	THIS DRAWING CONTAINS INFORMATION THAT IS PROPRIETARY TO MOLEX ELECTRONIC TECHNOLOGIES, LLC AND SHOULD NOT BE USED WITHOUT WRITTEN PERMISSION										
	DIMENSION UNITS	SCALE	CURRENT REV DESC: ADD P/N 73251-4967 FOR TR PACKAGING PER EWR14716-C								
$\frac{F}{A} = 0$	INCH/MM	NTS	EWR-14242-J ADDED LABEL FORMAT FOR 73251-4966								
$\frac{F}{C} = 0$	GENERAL TOLERANCES (UNLESS SPECIFIED)		EC NO: 737836							PRODUCT CUSTOMER DRAWING	
$\frac{F}{P} = 0$	ANGULAR TOL \pm °		4 PLACES \pm				2023/02/03				
DIVISIONAL SYMBOLS	3 PLACES \pm		2023/02/10				DOC TYPE		DOC PART		REVISION
	2 PLACES \pm		2023/02/10				PSD		000		B10
	1 PLACE \pm		INITIAL REVISION:				MATERIAL NUMBER		CUSTOMER		SHEET NUMBER
	0 PLACES \pm		DRWN: AROBERTSON 2012/11/21				SEE TABLE		GENERAL MARKET		3 OF 6
	DRAFT WHERE APPLICABLE MUST REMAIN WITHIN DIMENSIONS		THIRD ANGLE PROJECTION		DRAWING	SERIES					
					C-SIZE	73251					

DOCUMENT STATUS	P1	RELEASE DATE	2023/02/10	08:51:15
-----------------	----	--------------	------------	----------



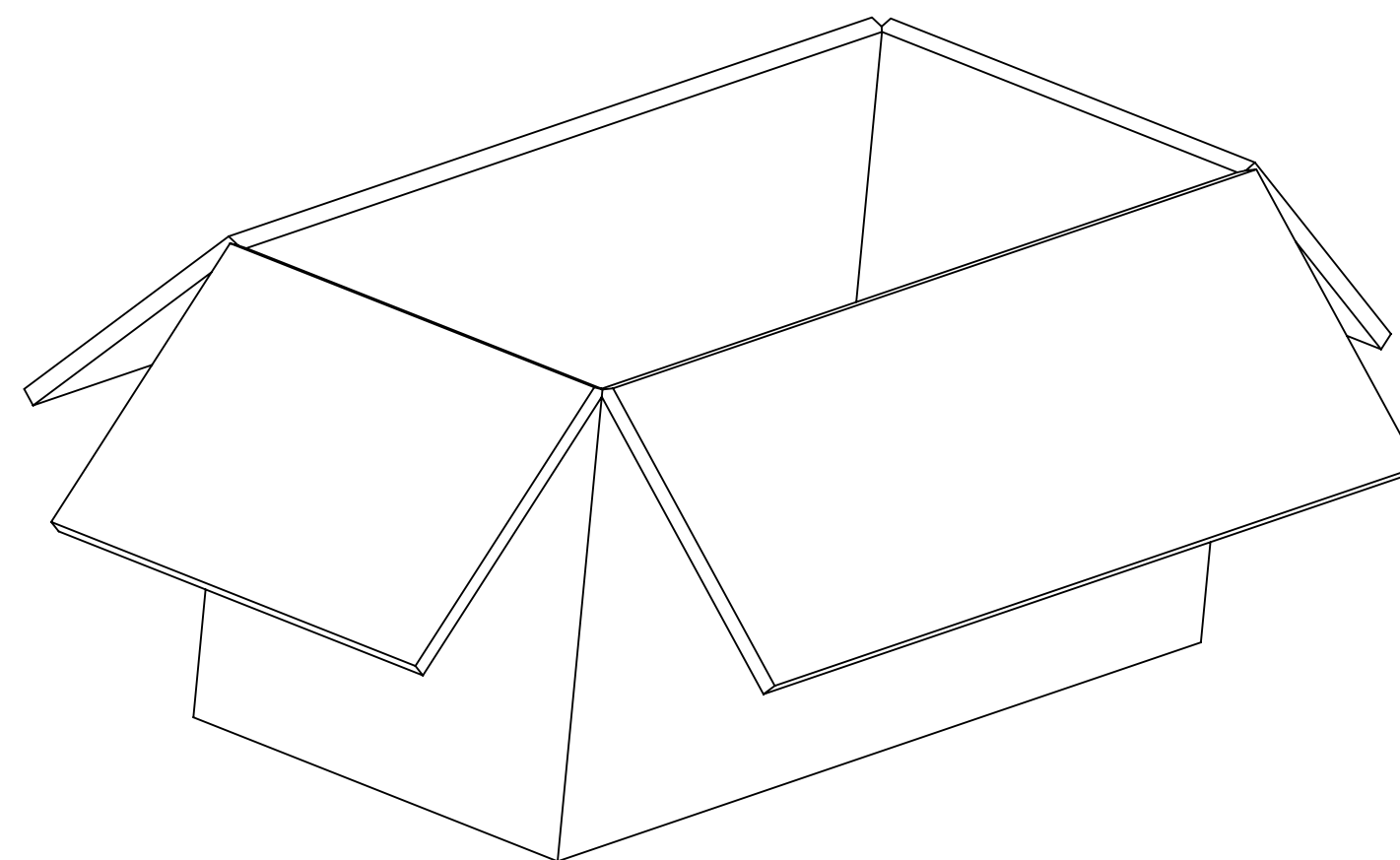
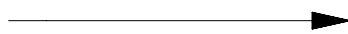
FOR 73251-4966 ONLY



1 SET PER POLYBAG
P/N: 89707-0317



50 SET PER POLYBAG
P/N: 89707-0176



500 SET PER OUTER CARTON BOX
P/N: 96707-0002

LABEL FORMAT FOR
73251-4966

PART NUMBER : 73251-2200
ORDER NUMBER : 73251-4966
MOLEX
DATE : YYWW

FUNCTIONAL SYMBOLS	THIS DRAWING CONTAINS INFORMATION THAT IS PROPRIETARY TO MOLEX ELECTRONIC TECHNOLOGIES, LLC AND SHOULD NOT BE USED WITHOUT WRITTEN PERMISSION										
	DIMENSION UNITS	SCALE	CURRENT REV DESC: ADD P/N 73251-4967 FOR TR PACKAGING PER EWR14716-C								
$\frac{F}{A} = 0$	INCH/MM	NTS	EWR-14242-J ADDED LABEL FORMAT FOR 73251-4966								
DIVISIONAL SYMBOLS	GENERAL TOLERANCES (UNLESS SPECIFIED)										
	$\frac{F}{C} = 0$	ANGULAR TOL		±	°	EC NO: 737836					2023/02/03
DIVISIONAL SYMBOLS	$\frac{F}{P} = 0$	4 PLACES	±	DRWN: CWEI02							2023/02/10
		3 PLACES	±	CHK'D: YCHENG							2023/02/10
		2 PLACES	±	APPR: YCHENG							2023/02/10
	1 PLACE	±	INITIAL REVISION:								
	0 PLACES	±	DRWN: AROBERTSON							2012/11/21	
			APPR: JWIENER							2012/11/27	
DRAFT WHERE APPLICABLE MUST REMAIN WITHIN DIMENSIONS		THIRD ANGLE PROJECTION		DRAWING		SERIES		MATERIAL NUMBER		CUSTOMER	SHEET NUMBER
				C-SIZE		73251		SEE TABLE		GENERAL MARKET	4 OF 6
DOCUMENT STATUS			P1	RELEASE DATE		2023/02/10	08:51:15				

molex

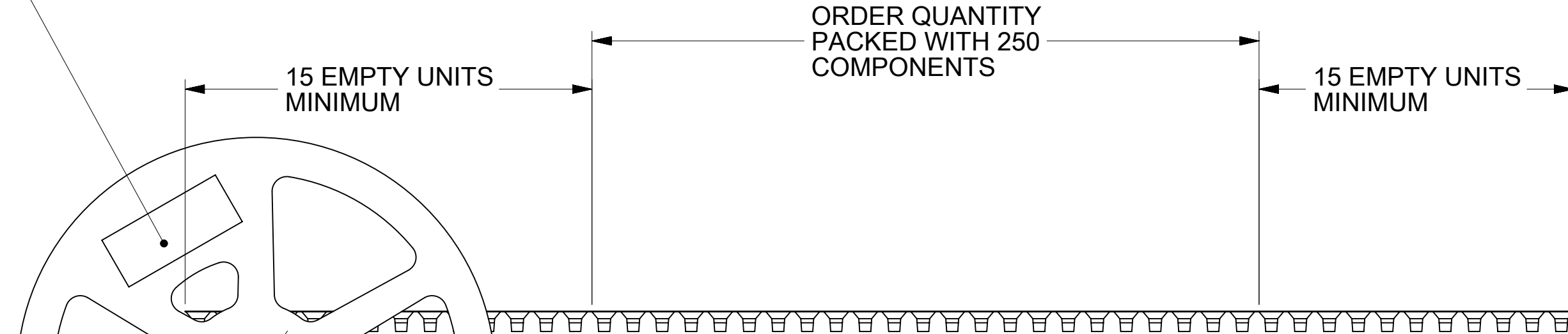
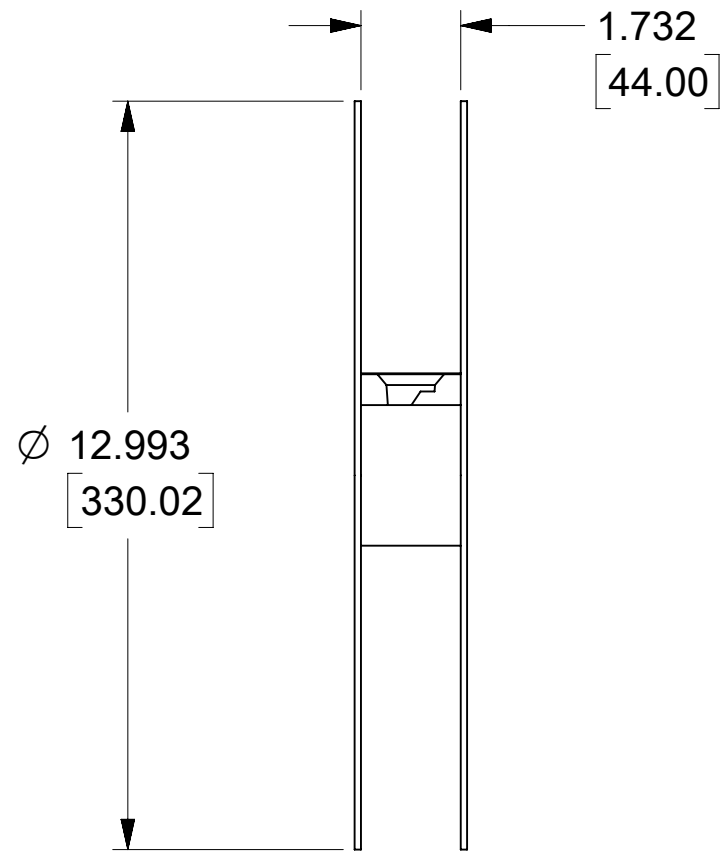
SMA JACK RA
BLKHD RM PCB TH SMA-J/RA/PCB, EWR-2144

PRODUCT CUSTOMER DRAWING

DOCUMENT NUMBER: SD-73251-496
DOC TYPE: PSD
DOC PART: 000
REVISION: B10

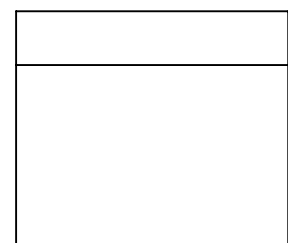
FOR 73251-4967 ONLY

LABEL:
 -ORDER NUMBER
 -QUANTITY
 -PART NUMBER
 -LOT NUMBER

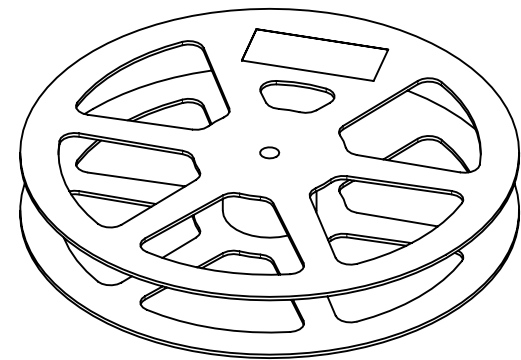


ORDER QUANTITY
 PACKED WITH 250
 COMPONENTS

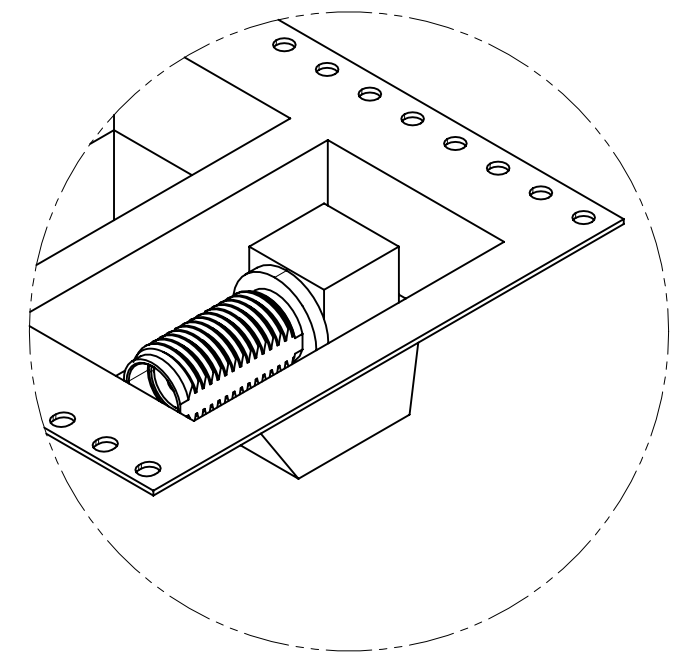
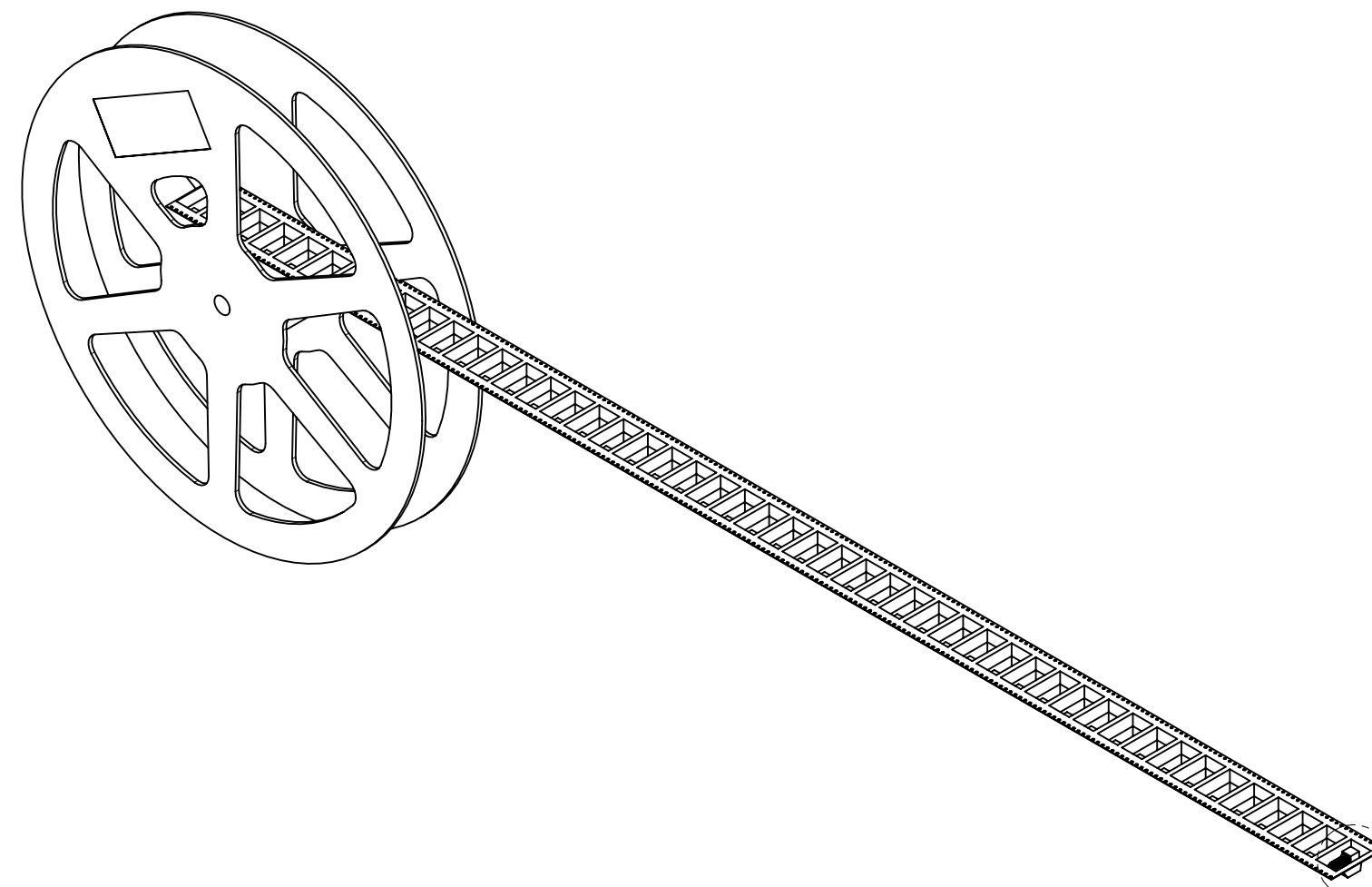
Ø .502 REF
 [12.75]



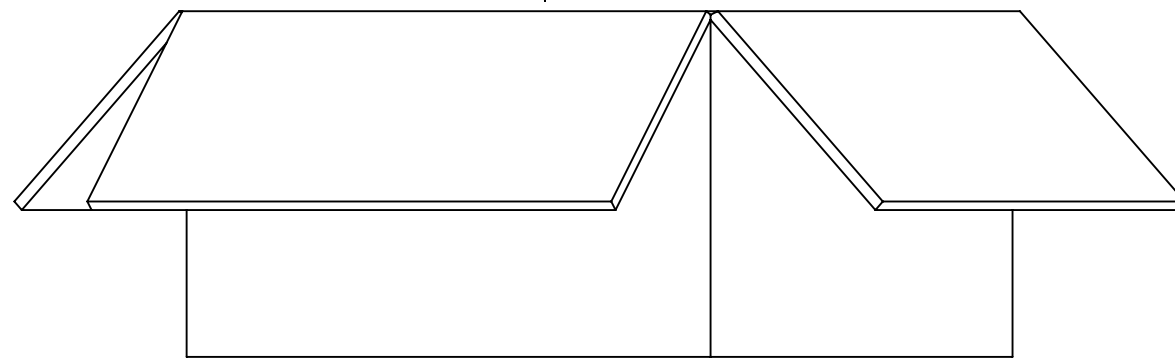
ACCESSORY



REELS X 4 PCS



DETAIL B



1000 SETS PER CARTON BOX
 OUTER DIMENSION: 343 X 343X 220 MM

FUNCTIONAL SYMBOLS	THIS DRAWING CONTAINS INFORMATION THAT IS PROPRIETARY TO MOLEX ELECTRONIC TECHNOLOGIES, LLC AND SHOULD NOT BE USED WITHOUT WRITTEN PERMISSION									
	DIMENSION UNITS	SCALE	CURRENT REV DESC: ADD P/N 73251-4967 FOR TR PACKAGING PER EWR14716-C							
$\nabla_A = 0$	INCH/MM	NTS	EC NO: 737836 DRWN: CWEI02 2023/02/03 CHK'D: YCHENG 2023/02/10 APPR: YCHENG 2023/02/10							
$\nabla_C = 0$	GENERAL TOLERANCES (UNLESS SPECIFIED)									
$\nabla_P = 0$	ANGULAR TOL	± °	INITIAL REVISION: DRWN: AROBERTSON 2012/11/21 APPR: JWIENER 2012/11/27							
DIVISIONAL SYMBOLS	4 PLACES	±								
	3 PLACES	±	PRODUCT CUSTOMER DRAWING DOCUMENT NUMBER: SD-73251-496 DOC TYPE: PSD DOC PART: 000 REVISION: B10							
	2 PLACES	±								
	1 PLACE	±	MATERIAL NUMBER: SEE TABLE CUSTOMER: GENERAL MARKET SHEET NUMBER: 6 OF 6							
	0 PLACES	±								
	DRAFT WHERE APPLICABLE MUST REMAIN WITHIN DIMENSIONS		THIRD ANGLE PROJECTION	DRAWING	SERIES					
				C-SIZE	73251					

DOCUMENT STATUS	P1	RELEASE DATE	2023/02/10	08:51:15
-----------------	----	--------------	------------	----------