

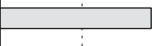

Compact, Cylindrical Ultrasonic Proximity Sensor with Separate Amplifier Unit

- Stable operation for a variety of objects regardless of color, transparency, or material (metallic or non-metallic).
- Compact M18-sized cylindrical head.
- Prevent mutual interference using a synchronization selector.
- With reflective models, setting sensing zones ensures detection without influence by the background.



Ordering Information

Sensors (Refer to Dimensions on page 7.)

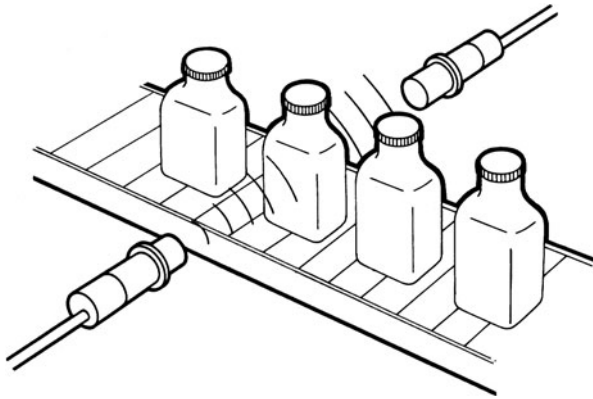
Sensing method	Sensing distance	Model
Through-beam	 50 cm	E4C-TS50
Reflective (convergent reflective)	 10 to 35 cm	E4C-LS35

Amplifier Units (Refer to Dimensions on page 7.)

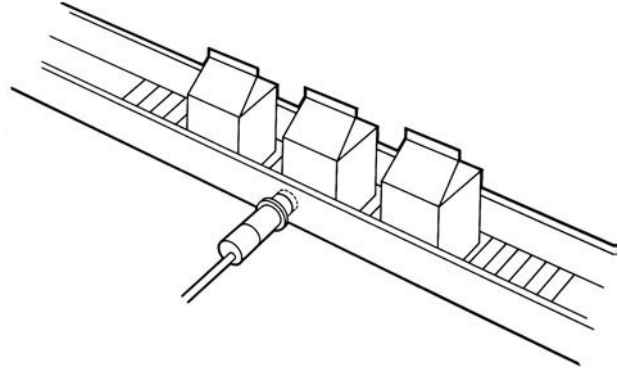
Supply voltage	Model
12 to 24 VDC	E4C-WH4T
12 to 24 VDC	E4C-WH4L

Application Examples

Detection of transparent bottles and containers



Detection of milk packages



Specifications

■ Ratings/Characteristics

Sensors

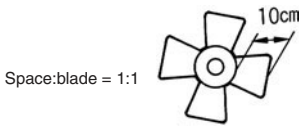
Model		E4C-TS50	E4C-LS35
Item	Sensing method	Through-beam	Reflective
Sensing distance		50 cm	10 to 35 cm (possible to limit the sensing zone within a range between 2 and 25 cm)
Standard sensing object		10 x 10 cm flat plate	4 x 4 cm flat plate
Ultrasonic oscillation frequency		Approx. 270 kHz	
Response frequency		50 Hz	20 Hz
Directional angle (see note 1)		±8° max.	
Indicator		SENSING indicator (red LED)	
Ambient temperature		Operating: -10°C to 55°C (with no icing)	
Ambient humidity		Operating: 35 to 95%	
Vibration resistance		Destruction: 10 to 55 Hz, 1.5-mm double amplitude for 2 hours each in X, Y, and Z directions	
Shock resistance		Destruction: 500 m/s ² (approx. 50G) 3 times each in X, Y, and Z directions	
Degree of protection (see note 2)		IEC IP66	
Cord length		2 m	
Weight		Approx. 300 g (with Emitter and Receiver)	Approx. 150 g
Material	Case	Heat-resistant ABS resin	
	Oscillator	Ceramic	
	Nut	Polyacetal resin	

- Note:** 1. This is the half-value angle obtainable with a signal of -6 dB.
 2. The enclosure rating indicates the degree of protection of the case, which will depend on the operating condition.

Amplifier Units

Model		E4C-WH4T	E4C-WH4L
Item	Sensing method	Through-beam	Reflective
Sensing distance		50 cm	10 to 35 cm
Supply voltage (operating voltage range)		12 to 24 VDC ±10% with a max. ripple ±10% (p-p)	
Current consumption		100 mA max. at 12 VDC	
Differential travel		---	20% max. of rated sensing distance
Response frequency (see note)		50 Hz	20 Hz
Control output (residual voltage)		Terminal output: 100 mA max. (NPN or PNP open collector output at 40 VDC with a residual voltage of 2 V) Connector output: 50 mA max. (photocoupler output)	
Operation mode		Normally open or normally closed (selectable with a slide switch)	
Ultrasonic compensation		Yes	
Indicator		SENSING indicator (red LED) and STABILITY indicator (green LED)	
Ambient temperature		Operating: -10°C to 55°C (with no icing)	
Ambient humidity		Operating: 35 to 95%	
Temperature influence		±30% max. of sensing distance at 20°C in the temperature range of -10°C and 55°C	±10% max. of sensing distance at 20°C in the temperature range of -10°C and 55°C
Voltage influence		±10% max. of sensing distance at a voltage between 90% and 110% of the rated power supply voltage	
Insulation resistance		20 MΩ min. (at 500 VDC) between current carry parts and case	
Dielectric strength		1,000 VAC (50/60 Hz) for 1 min between current carry parts and case	
Vibration resistance		Destruction: 10 to 55 Hz, 1.5-mm double amplitude for 2 hours each in X, Y, and Z directions	
Shock resistance		Destruction: 500 m/s ² (approx. 50G) 3 times each in X, Y, and Z directions	
Degree of protection		IEC IP40	
Weight		Approx. 110 g	
Materials		Case: ABS	

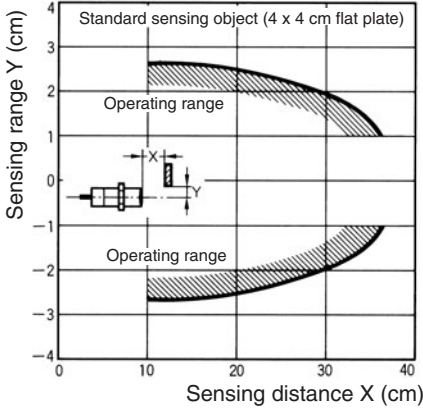
- Note:** The response frequencies are values obtained with the E4C used for detecting the rotating propeller-shaped disc as shown on the right.



Engineering Data

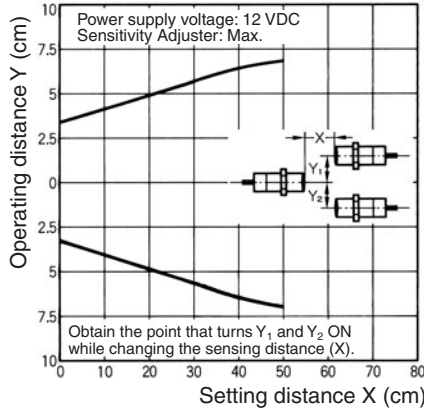
Sensing Range (Typical)

E4C-LS35



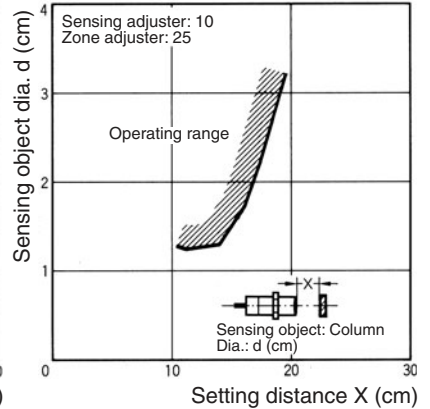
Parallel Movement Characteristics (Typical)

E4C-TS50



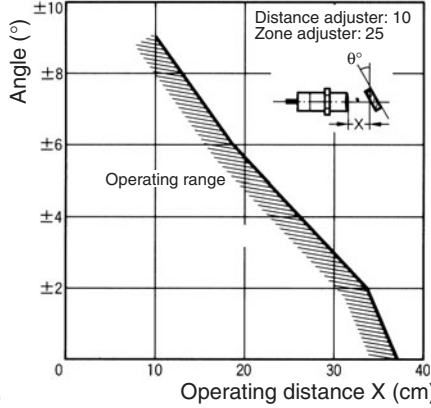
Operating Distance vs. Sensing Object Size (Typical)

E4C-LS35



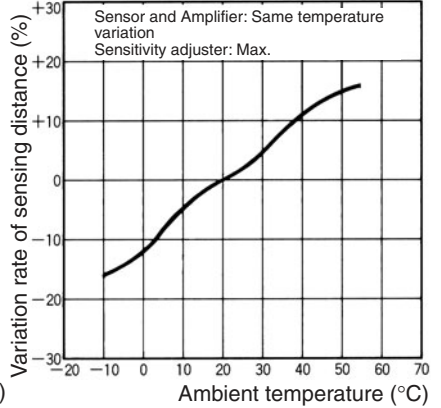
Operating Distance vs. Sensing Object Angle (Typical)

E4C-LS35

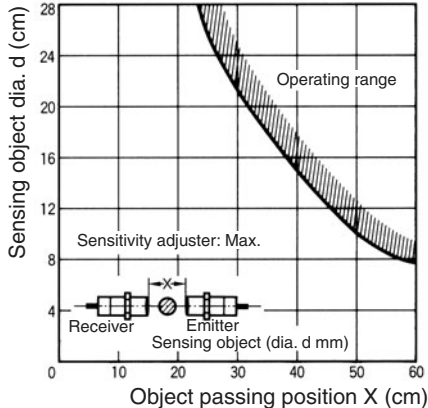


Ambient Temperature vs. Variation Rate of Sensing Distance (Typical)

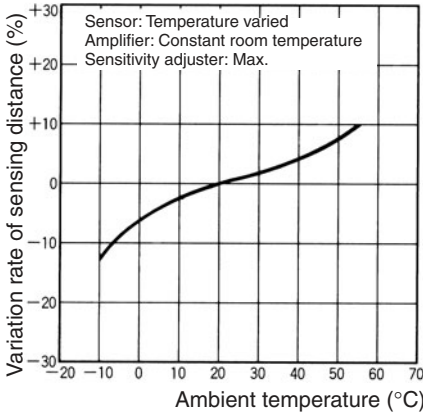
E4C-TS50+ E4C-WH4T



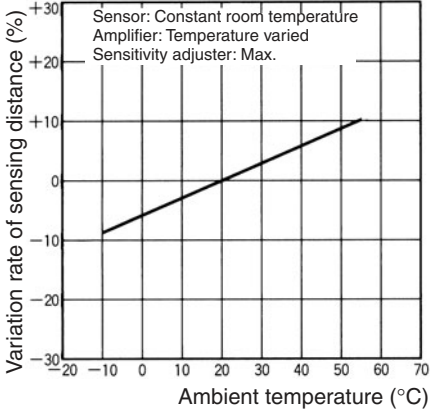
E4C-TS50



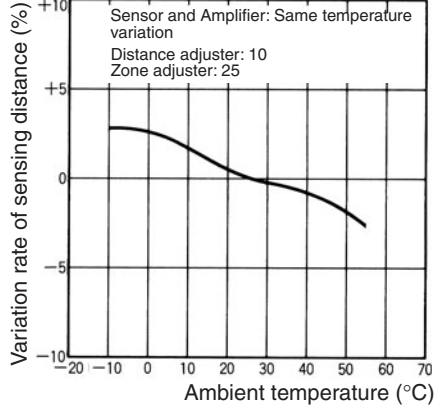
E4C-TS50+E4C-WH4T



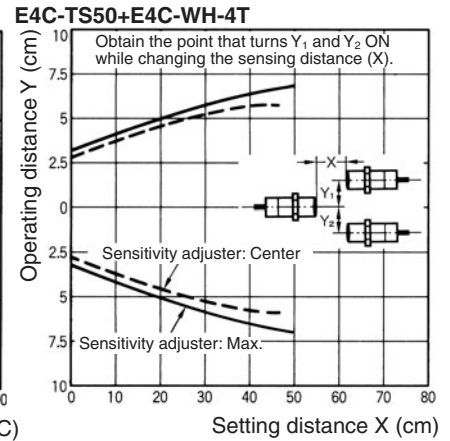
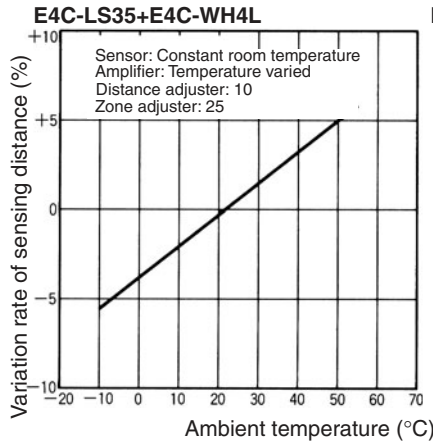
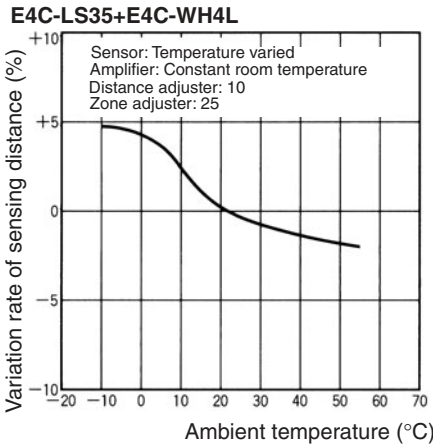
E4C-TS50+E4C-WH4T



E4C-LS35+E4C-WH4L



Sensitivity Adjuster Position vs. Parallel Movement Characteristics



Amplifier Units

Indicators

- STABILITY Indicator (Green)

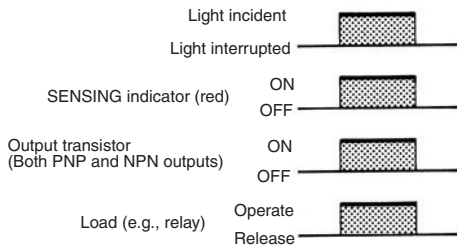
When this indicator is lit, the ultrasonic input into the Receiver is sufficient, or its interruption small enough, to ensure the smooth operation of the E4C. Do not operate the E4C when this indicator is not lit.

- SENSING Indicator (Red)

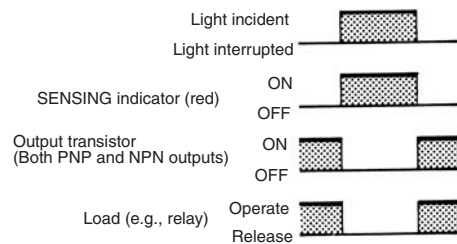
When this indicator is lit, the Receiver has ultrasonic input.

Operation Selector (H1/H2)

Incident-ON (H1)



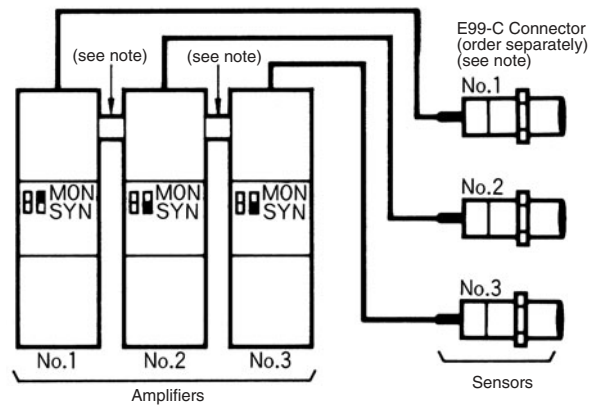
Incident-OFF (H2)



Note: The load in operation is connected to the output circuit of the E4C.

Asynchronous/Synchronous (MON/SYN) Switch

- If more than one Sensor is used in one place, the Sensors need to be in synchronous operation for the prevention of mutual interference. A maximum of four Sensors can be in synchronous operation.
- Connect the DC power supply and Sensor to each Amplifier as usual.
- Use the E99-C (order separately) connector to connect the Sensor to the Amplifier.
- If the case of the connections shown in the following illustration, set the selector of only one Amplifier (No. 1 in the following case) to MON. Set the selector of any other Amplifier to SYN.



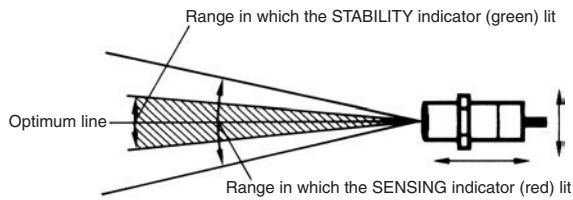
Note: The E99-C Connector will be most effective if the E4C is a reflective model although the E99-C Connector is required by both the reflective and through-beam models. When using through-beam models, however, be sure to maintain enough between adjacent Sensors to suppress mutual interference. Refer to *Sensitivity Adjuster Position vs. Parallel Movement Characteristics* in *Engineering Data*.

■ Sensitivity/Zone Adjustments

E4C-TS50 and E4C-WH4T Through-beam Models

Set the SENSITIVITY adjuster of the Receiver to maximum.

Move the Emitter and Receiver vertically and horizontally until the SENSING indicator of the Receiver is lit and secure the Emitter and Receiver at the midpoint of the range within which the STABILITY indicator is lit.



Pass the sensing object through the sensing range and adjust the sensitivity so that the SENSING indicator turns ON and OFF according to the presence or absence of the sensing object while the STABILITY indicator is lit continuously.

If the STABILITY indicator is not lit while the Sensor is in operation, this may indicate a possible operational error. Check or readjust the sensitivity.

If the Emitter and Receiver are set at a distance shorter than the rated sensing distance, reduce the sensitivity to within the range in which the STABILITY indicator is lit. This will increase the immunity of the Sensor against noise.

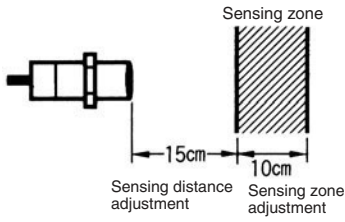
E4C-LS35 and E4C-WH4L Convergent Reflective Model

Locate the Sensor so that both the STABILITY and SENSING indicators will be lit when the sensing object is placed at the sensing position, and the STABILITY indicator will be lit and the SENSING indicator will turn OFF when the sensing object is removed.

Step	1	2	3	4
Sensing				
Distance adjuster Zone adjuster		---	---	
Adjustment procedure	Place the sensing object at the sensing position and turn the distance adjuster clockwise gradually until both the SENSING and STABILITY indicators are lit. (See note 2)	Move the Emitter and Receiver vertically and horizontally and secure the Emitter and Receiver at the midpoint of the range within which the STABILITY indicator is lit.	Remove the sensing object and check that the SENSING indicator is OFF and the STABILITY indicator is continuously lit.	The sensing zone can be set within a range of 2 to 25 cm with the zone adjuster.

- Note:**
1. If the STABILITY indicator is not lit while the Sensor is in operation, this indicates a possible operational error. Check or readjust the sensitivity.
 2. The sensing distance is adjustable within a range of 10 to 35 cm with the distance adjuster.
 3. Adjust the sensing zone within the sensing distance adjustable range (i.e., 10 to 35 cm).

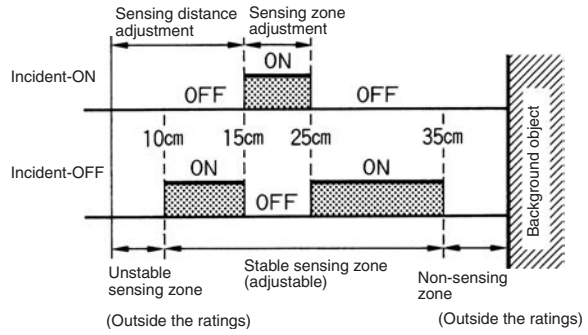
Sensing Zone Setting Example



Note: Make the settings as shown above to set a sensing zone of 10 cm with a sensing distance adjustment of 15 cm.

Relationship between Incident-ON and Incident-OFF

Example:
Sensing distance set to 15 cm and zone set to 10 cm

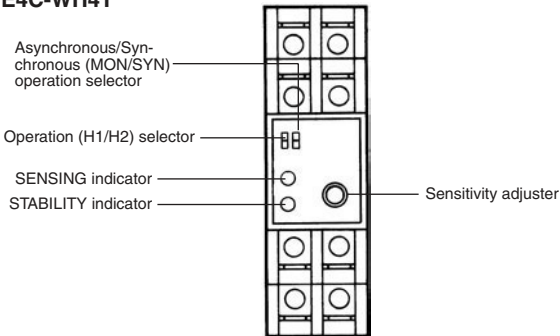


Note: Set the zone within a distance of 10 to 35 cm from the Sensor. Therefore, if the distance adjuster is set to 30 cm and zone adjuster is set to 20 cm, the sensing zone will be 5 cm from a point 30 cm away from the Sensor.

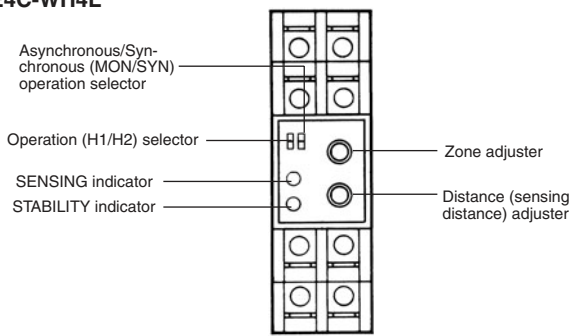
Step	1	2
Distance adjuster and zone adjuster		
Adjustment procedure	Set the distance adjuster to 15 cm	Set the zone adjuster to 10 cm.

Nomenclature

E4C-WH4T

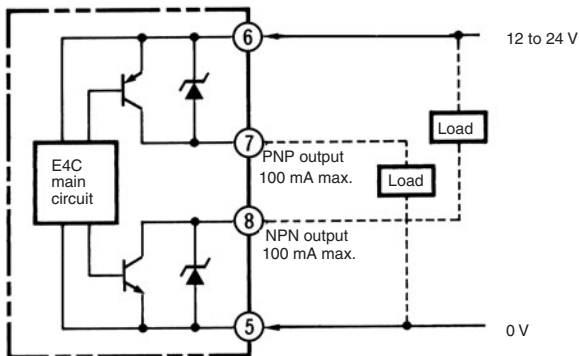


E4C-WH4L



Operation

Output Circuit

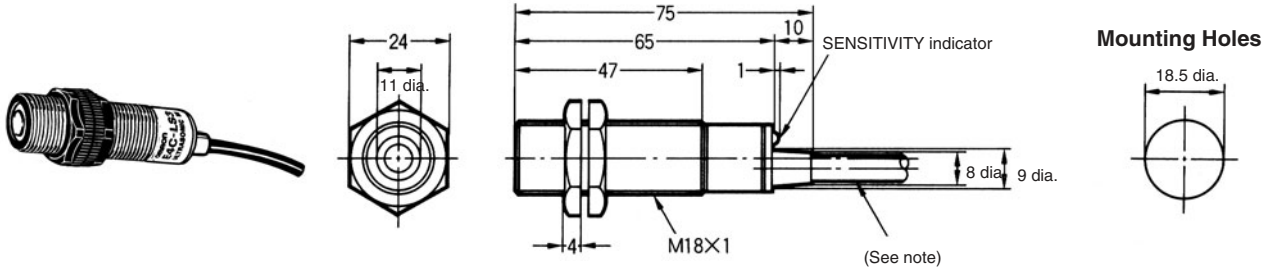


Dimensions

Note: All units are in millimeters unless otherwise indicated.

Sensors

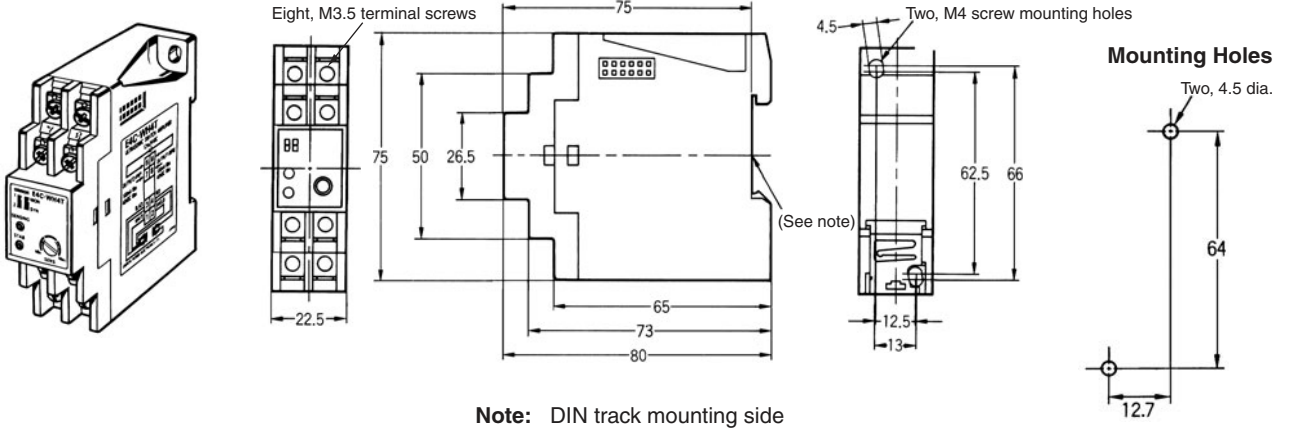
E4C-TS50
E4C-LS35



Note: E4C-TS50R or E4C-LS35: 3-conductor, shielded cord (6 dia., UL2791) with 7/0.25 dia. (standard length: 2 m)
E4C-TS50S: 2-conductor, shielded cord (6 dia., UL20276) with 7/0.25 dia. (standard length: 2 m)

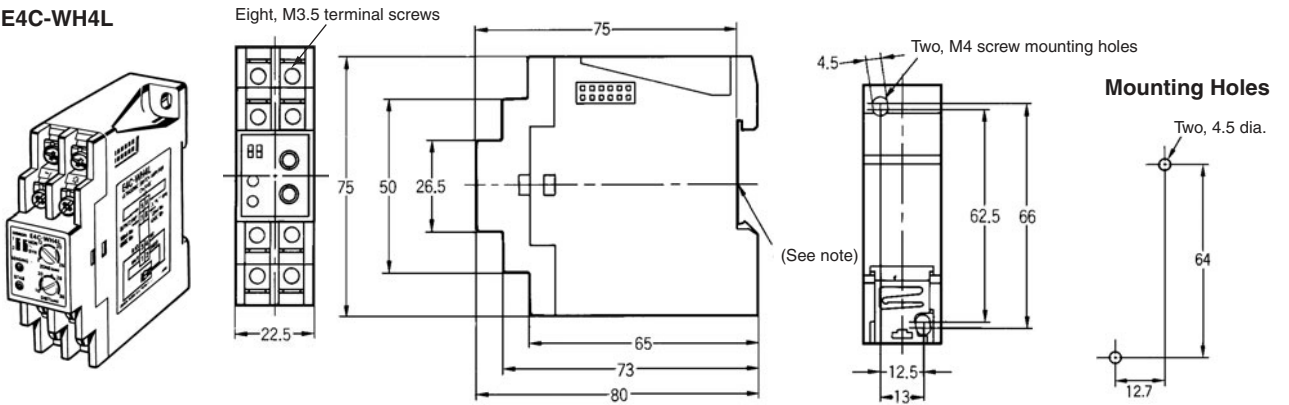
Amplifier Units

E4C-WH4T



Note: DIN track mounting side

E4C-WH4L

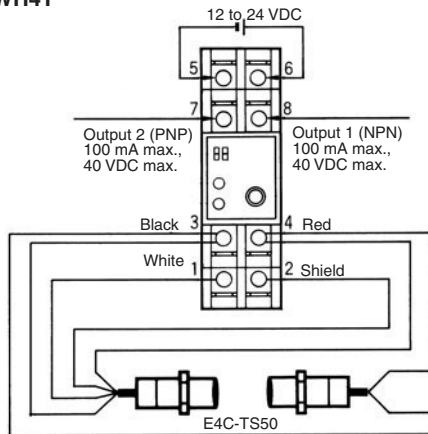


Note: DIN track mounting side

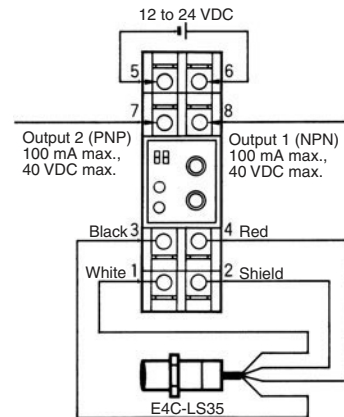
Installation

■ Connections

E4C-WH4T



E4C-WH4L



Precautions

■ Correct Use

Sensor Mounting Angle

If the E4C is in level control or distance control of sensing objects, the stability of signal detection will depend on the sensing surface condition of the objects. Considering the repose angle of the objects, mount the E4C so that the ultrasonic beam and the sensing surface of each object meet at right angles to each other.

Surrounding Objects

Make sure that the Sensor is free from surrounding objects that reflect the ultrasonic beam diffusion, otherwise the Sensor may malfunction. In particular, pay the utmost attention so that no side lobe of the ultrasonic beam will be reflected by such objects.

Mounting

Securely mount the E4C by using the nuts provided with the E4C or the mounting holes of the E4C. Refer to *Dimensions* for details.

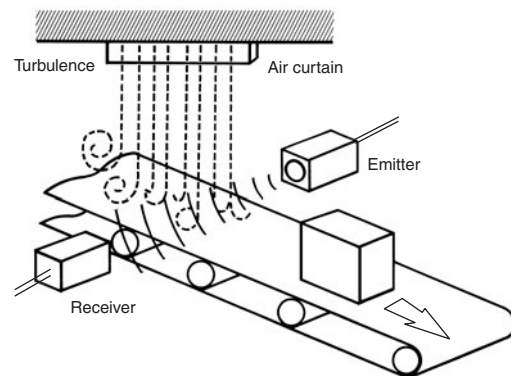
Do not strike the Sensor with any hammer or other object, otherwise the E4C will no longer be water-resistant.

If the E4C is not mounted securely, the E4C may be damaged by vibration or may not detect sensing objects accurately due to a possible change in the mounting position.

Environmental Conditions

Do not use the E4C at a temperature exceeding the rated range or outdoors, otherwise the reliability and life of the E4C will decrease.

The Ultrasonic Reflective Sensor utilizes the air as a beam transmission media. Do not use the E4C in places with radical convection or extreme local temperature changes. For example, if there is a hot air curtain that causes turbulence within the sensing area, the E4C may malfunction.



The jetting sound of air nozzles includes noise of a wide frequency range, which will affect the operation of the E4C. Do not use an air nozzle near the E4C.

The sensing distance of the E4C will decrease if there is any water drops on the surface of the emitter or receiver.

The reflective model may not detect any objects if there is any object absorbing sound, such as powder and cotton, on the surface of the emitter or receiver.

Mutual Interference

If more than one Unit is closely mounted together or used in a narrow space, the mutual interference of the Sensors will result. To prevent this, set the MON/SYN selector to SYN and check that no mutual interference results.

Connections

The cord length between the Sensor and Amplifier can be a maximum of 20 m provided that the cord is a three-conductor, shielded cord (6 dia., UL2791) with 7/0.25 dia. If the Emitter is the E4C-TS50S, however, use a two-conductor, non-shielded cord (6 dia. UL20276) with 7/0.25 dia.

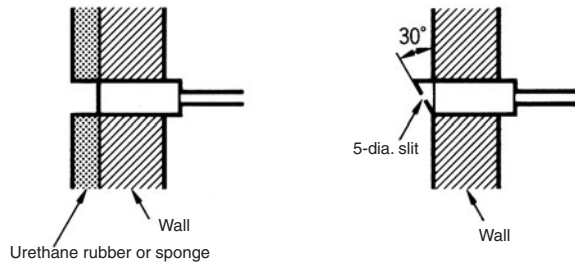
Do not wire the lines of the E4C along with high-tension or power lines in the same conduit or close together, otherwise the E4C may malfunction due to inductive noise.

The power supply lines of the Amplifier can be extended up to 100 m provided that the size of the cord is 0.3 dia. or more.

Others

Be sure not to turn the sensitivity adjuster excessively. If the sensitivity adjuster is turned exceeding the permissible range, no sensitivity adjustment will be possible again.

Take the measures shown in the following illustrations if multiple reflection results.



The sensing distance will be, however, reduced to half (i.e., 10 to 17 cm) if the slit is used.

If the sensing zone is set to a small value (i.e., a few centimeters) on the E4C reflective model, the E4C may require a warming-up time of 3 minutes or more after the E4C is turned ON.

ALL DIMENSIONS SHOWN ARE IN MILLIMETERS.

To convert millimeters into inches, multiply by 0.03937. To convert grams into ounces, multiply by 0.03527.

In the interest of product improvement, specifications are subject to change without notice.

Terms and Conditions of Sale

- Offer; Acceptance.** These terms and conditions (these "Terms") are deemed part of all quotes, agreements, purchase orders, acknowledgments, price lists, catalogs, manuals, brochures and other documents, whether electronic or in writing, relating to the sale of products or services (collectively, the "Products") by Omron Electronics LLC and its subsidiary companies ("Omron"). Omron objects to any terms or conditions proposed in Buyer's purchase order or other documents which are inconsistent with, or in addition to, these Terms.
- Prices; Payment Terms.** All prices stated are current, subject to change without notice by Omron. Omron reserves the right to increase or decrease prices on any unshipped portions of outstanding orders. Payments for Products are due net 30 days unless otherwise stated in the invoice.
- Discounts.** Cash discounts, if any, will apply only on the net amount of invoices sent to Buyer after deducting transportation charges, taxes and duties, and will be allowed only if (i) the invoice is paid according to Omron's payment terms and (ii) Buyer has no past due amounts.
- Interest.** Omron, at its option, may charge Buyer 1-1/2% interest per month or the maximum legal rate, whichever is less, on any balance not paid within the stated terms.
- Orders.** Omron will accept no order less than \$200 net billing.
- Governmental Approvals.** Buyer shall be responsible for, and shall bear all costs involved in, obtaining any government approvals required for the importation or sale of the Products.
- Taxes.** All taxes, duties and other governmental charges (other than general real property and income taxes), including any interest or penalties thereon, imposed directly or indirectly on Omron or required to be collected directly or indirectly by Omron for the manufacture, production, sale, delivery, importation, consumption or use of the Products sold hereunder (including customs duties and sales, excise, use, turnover and license taxes) shall be charged to and remitted by Buyer to Omron.
- Financial.** If the financial position of Buyer at any time becomes unsatisfactory to Omron, Omron reserves the right to stop shipments or require satisfactory security or payment in advance. If Buyer fails to make payment or otherwise comply with these Terms or any related agreement, Omron may (without liability and in addition to other remedies) cancel any unshipped portion of Products sold hereunder and stop any Products in transit until Buyer pays all amounts, including amounts payable hereunder, whether or not then due, which are owing to it by Buyer. Buyer shall in any event remain liable for all unpaid accounts.
- Cancellation; Etc.** Orders are not subject to rescheduling or cancellation unless Buyer indemnifies Omron against all related costs or expenses.
- Force Majeure.** Omron shall not be liable for any delay or failure in delivery resulting from causes beyond its control, including earthquakes, fires, floods, strikes or other labor disputes, shortage of labor or materials, accidents to machinery, acts of sabotage, riots, delay in or lack of transportation or the requirements of any government authority.
- Shipping; Delivery.** Unless otherwise expressly agreed in writing by Omron:
 - Shipments shall be by a carrier selected by Omron; Omron will not drop ship except in "break down" situations.
 - Such carrier shall act as the agent of Buyer and delivery to such carrier shall constitute delivery to Buyer;
 - All sales and shipments of Products shall be FOB shipping point (unless otherwise stated in writing by Omron), at which point title and risk of loss shall pass from Omron to Buyer; provided that Omron shall retain a security interest in the Products until the full purchase price is paid;
 - Delivery and shipping dates are estimates only; and
 - Omron will package Products as it deems proper for protection against normal handling and extra charges apply to special conditions.
- Claims.** Any claim by Buyer against Omron for shortage or damage to the Products occurring before delivery to the carrier must be presented in writing to Omron within 30 days of receipt of shipment and include the original transportation bill signed by the carrier noting that the carrier received the Products from Omron in the condition claimed.
- Warranties.** (a) **Exclusive Warranty.** Omron's exclusive warranty is that the Products will be free from defects in materials and workmanship for a period of twelve months from the date of sale by Omron (or such other period expressed in writing by Omron). Omron disclaims all other warranties, express or implied. (b) **Limitations.** OMRON MAKES NO WARRANTY OR REPRESENTATION, EXPRESS OR IMPLIED, ABOUT NON-INFRINGEMENT, MERCHANTABILITY OR FITNESS FOR A PARTICULAR PURPOSE OF THE PRODUCTS. BUYER ACKNOWLEDGES THAT IT ALONE HAS DETERMINED THAT THE PRODUCTS WILL SUITABLY MEET THE REQUIREMENTS OF THEIR INTENDED USE. Omron further disclaims all warranties and responsibility of any type for claims or expenses based on infringement by the Products or otherwise of any intellectual property right. (c) **Buyer Remedy.** Omron's sole obligation hereunder shall be, at Omron's election, to (i) replace (in the form originally shipped with Buyer responsible for labor charges for removal or replacement thereof) the non-complying Product, (ii) repair the non-complying Product, or (iii) repay or credit Buyer an amount equal to the purchase price of the non-complying Product; provided that in no event shall Omron be responsible for warranty, repair, indemnity or any other claims or expenses regarding the Products unless Omron's analysis confirms that the Products were properly handled, stored, installed and maintained and not subject to contamination, abuse, misuse or inappropriate modification. Return of any Products by Buyer must be approved in writing by Omron before shipment. Omron Companies shall not be liable for the suitability or unsuitability or the results from the use of Products in combination with any electrical or electronic components, circuits, system assemblies or any other materials or substances or environments. Any advice, recommendations or information given orally or in writing, are not to be construed as an amendment or addition to the above warranty. See <http://www.omron247.com> or contact your Omron representative for published information.
- Limitation on Liability; Etc.** OMRON COMPANIES SHALL NOT BE LIABLE FOR SPECIAL, INDIRECT, INCIDENTAL, OR CONSEQUENTIAL DAMAGES, LOSS OF PROFITS OR PRODUCTION OR COMMERCIAL LOSS IN ANY WAY CONNECTED WITH THE PRODUCTS, WHETHER SUCH CLAIM IS BASED IN CONTRACT, WARRANTY, NEGLIGENCE OR STRICT LIABILITY. Further, in no event shall liability of Omron Companies exceed the individual price of the Product on which liability is asserted.
- Indemnities.** Buyer shall indemnify and hold harmless Omron Companies and their employees from and against all liabilities, losses, claims, costs and expenses (including attorney's fees and expenses) related to any claim, investigation, litigation or proceeding (whether or not Omron is a party) which arises or is alleged to arise from Buyer's acts or omissions under these Terms or in any way with respect to the Products. Without limiting the foregoing, Buyer (at its own expense) shall indemnify and hold harmless Omron and defend or settle any action brought against such Companies to the extent based on a claim that any Product made to Buyer specifications infringed intellectual property rights of another party.
- Property; Confidentiality.** Any intellectual property in the Products is the exclusive property of Omron Companies and Buyer shall not attempt to duplicate it in any way without the written permission of Omron. Notwithstanding any charges to Buyer for engineering or tooling, all engineering and tooling shall remain the exclusive property of Omron. All information and materials supplied by Omron to Buyer relating to the Products are confidential and proprietary, and Buyer shall limit distribution thereof to its trusted employees and strictly prevent disclosure to any third party.
- Export Controls.** Buyer shall comply with all applicable laws, regulations and licenses regarding (i) export of products or information; (ii) sale of products to "forbidden" or other proscribed persons; and (iii) disclosure to non-citizens of regulated technology or information.
- Miscellaneous.** (a) **Waiver.** No failure or delay by Omron in exercising any right and no course of dealing between Buyer and Omron shall operate as a waiver of rights by Omron. (b) **Assignment.** Buyer may not assign its rights hereunder without Omron's written consent. (c) **Law.** These Terms are governed by the law of the jurisdiction of the home office of the Omron company from which Buyer is purchasing the Products (without regard to conflict of law principles). (d) **Amendment.** These Terms constitute the entire agreement between Buyer and Omron relating to the Products, and no provision may be changed or waived unless in writing signed by the parties. (e) **Severability.** If any provision hereof is rendered ineffective or invalid, such provision shall not invalidate any other provision. (f) **Setoff.** Buyer shall have no right to set off any amounts against the amount owing in respect of this invoice. (g) **Definitions.** As used herein, "including" means "including without limitation"; and "Omron Companies" (or similar words) mean Omron Corporation and any direct or indirect subsidiary or affiliate thereof.

Certain Precautions on Specifications and Use

- Suitability of Use.** Omron Companies shall not be responsible for conformity with any standards, codes or regulations which apply to the combination of the Product in the Buyer's application or use of the Product. At Buyer's request, Omron will provide applicable third party certification documents identifying ratings and limitations of use which apply to the Product. This information by itself is not sufficient for a complete determination of the suitability of the Product in combination with the end product, machine, system, or other application or use. Buyer shall be solely responsible for determining appropriateness of the particular Product with respect to Buyer's application, product or system. Buyer shall take application responsibility in all cases but the following is a non-exhaustive list of applications for which particular attention must be given:
 - Outdoor use, uses involving potential chemical contamination or electrical interference, or conditions or uses not described in this document.
 - Use in consumer products or any use in significant quantities.
 - Energy control systems, combustion systems, railroad systems, aviation systems, medical equipment, amusement machines, vehicles, safety equipment, and installations subject to separate industry or government regulations.
 - Systems, machines and equipment that could present a risk to life or property. Please know and observe all prohibitions of use applicable to this Product.

NEVER USE THE PRODUCT FOR AN APPLICATION INVOLVING SERIOUS RISK TO LIFE OR PROPERTY OR IN LARGE QUANTITIES WITHOUT ENSURING THAT THE SYSTEM AS A WHOLE HAS BEEN DESIGNED TO ADDRESS THE RISKS, AND THAT THE OMRON'S PRODUCT IS PROPERLY RATED AND INSTALLED FOR THE INTENDED USE WITHIN THE OVERALL EQUIPMENT OR SYSTEM.
- Programmable Products.** Omron Companies shall not be responsible for the user's programming of a programmable Product, or any consequence thereof.
- Performance Data.** Data presented in Omron Company websites, catalogs and other materials is provided as a guide for the user in determining suitability and does not constitute a warranty. It may represent the result of Omron's test conditions, and the user must correlate it to actual application requirements. Actual performance is subject to the Omron's Warranty and Limitations of Liability.
- Change in Specifications.** Product specifications and accessories may be changed at any time based on improvements and other reasons. It is our practice to change part numbers when published ratings or features are changed, or when significant construction changes are made. However, some specifications of the Product may be changed without any notice. When in doubt, special part numbers may be assigned to fix or establish key specifications for your application. Please consult with your Omron's representative at any time to confirm actual specifications of purchased Product.
- Errors and Omissions.** Information presented by Omron Companies has been checked and is believed to be accurate; however, no responsibility is assumed for clerical, typographical or proofreading errors or omissions.



OMRON ELECTRONICS LLC • THE AMERICAS HEADQUARTERS • Schaumburg, IL USA • 847.843.7900 • 800.556.6766 • www.omron247.com

OMRON CANADA, INC. • HEAD OFFICE

Toronto, ON, Canada • 416.286.6465 • 866.986.6766
www.omron247.com

OMRON ELETRÔNICA DO BRASIL LTDA • HEAD OFFICE

São Paulo, SP, Brasil • 55.11.2101.6300 • www.omron.com.br

OMRON ELECTRONICS MEXICO SA DE CV • HEAD OFFICE

Apodaca, N.L. • 52.811.156.99.10 • 001.800.556.6766 • mela@omron.com

OMRON ARGENTINA • SALES OFFICE

Cono Sur • 54.11.4783.5300

OMRON CHILE • SALES OFFICE

Santiago • 56.9.9917.3920

OTHER OMRON LATIN AMERICA SALES

54.11.4783.5300

OMRON EUROPE B.V. Wegalaan 67-69, NL-2132 JD, Hoofddorp, The Netherlands. Tel: +31 (0) 23 568 13 00 Fax: +31 (0) 23 568 13 88 www.industrial.omron.eu