

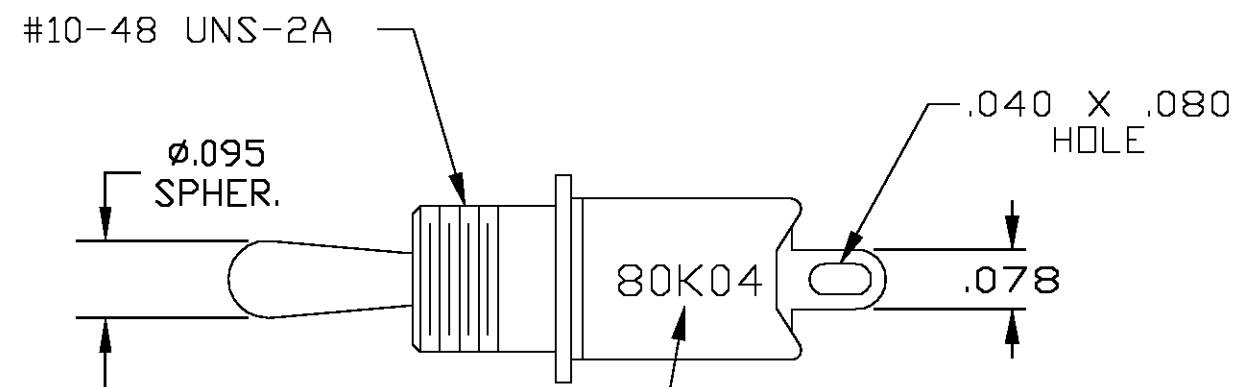
SPECIFICATIONS:

- CONTACT RATING: 0.4 VA MAX @ 20 VDC OR PEAK AC.
- INITIAL CONTACT RESISTANCE: 1,000 MEGOHMS MIN AT 500 VDC.
- DIELECTRIC STRENGTH: 1,000 VOLTS RMS AT SEA LEVEL.
- TERMINAL SEAL: EPOXY SEALED.
- HARDWARE INCLUDED: (1) HEX NUT (1) LOCK WASHER.

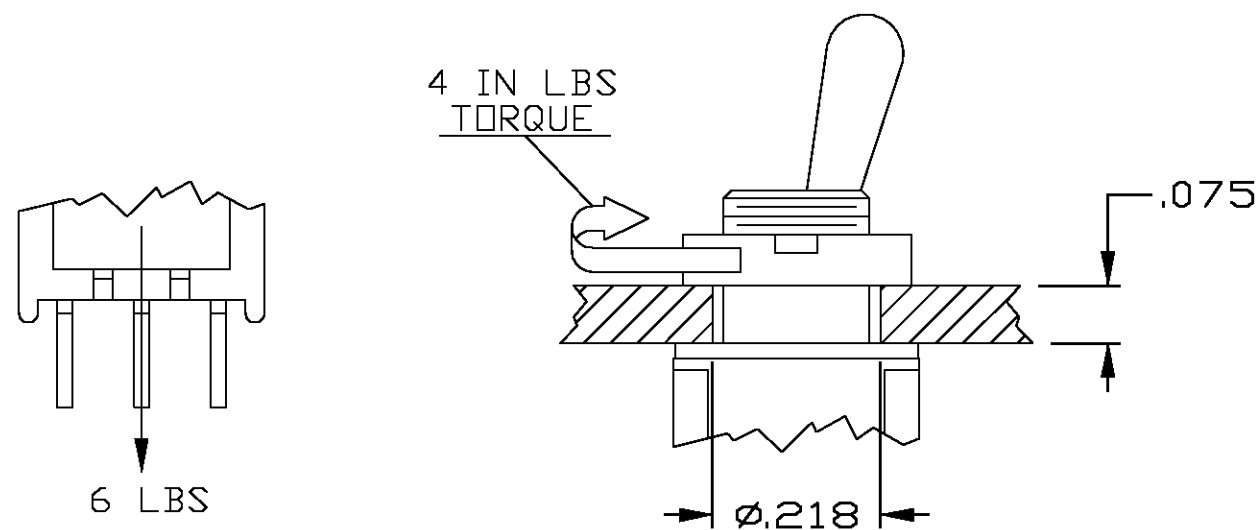
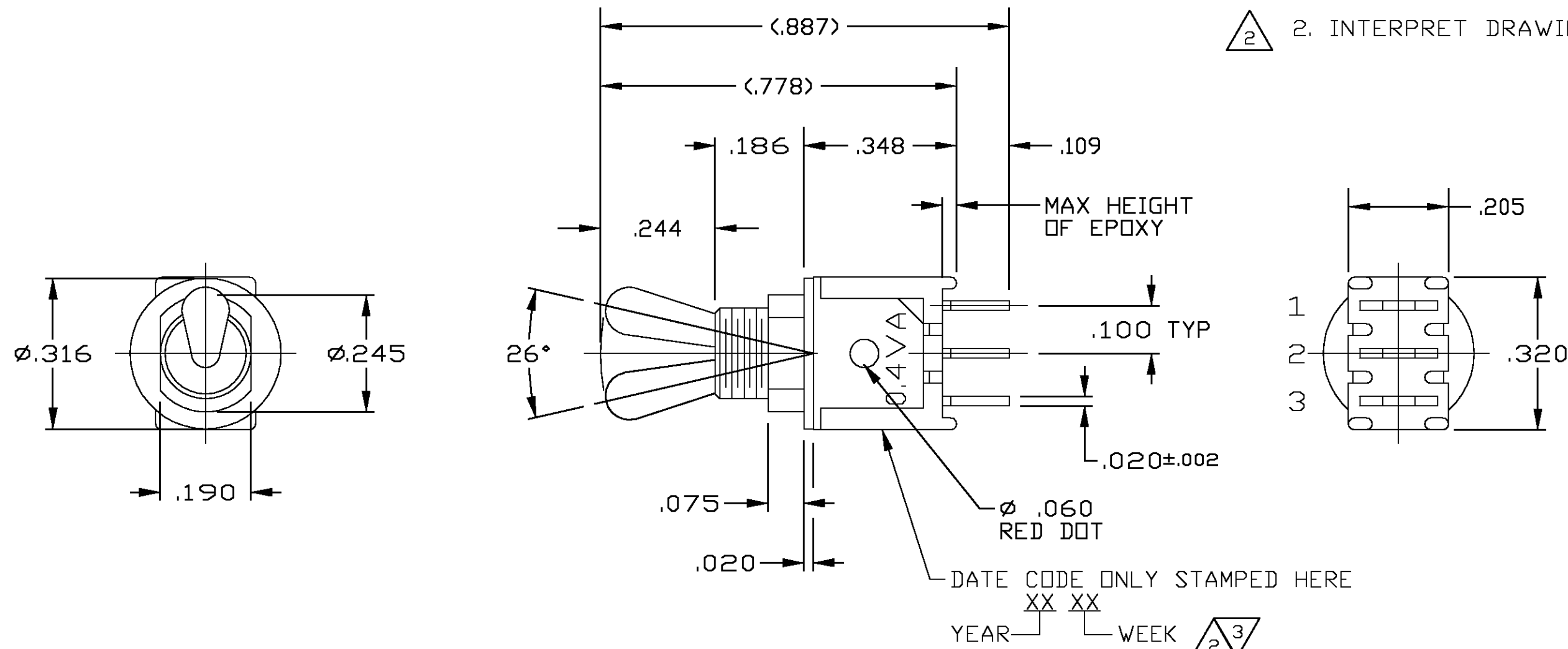
SEAL - TOGGLE TO BUSHING:  
 SEAL TEST - SEAL SHALL WITHSTAND 3 FT OF WATER FOR 30 MINUTES.  
 DYNAMIC - TEST WHEN ACTIVATED 10 TIMES PER MINUTE FOR 10,000 CYCLES SEAL SHALL WITHSTAND A 2 INCH HEAD OF WATER.

NOTES:

- CUSTOMER PART NUMBER CENTERED HERE.
- INTERPRET DRAWING PER ASME Y14.5M-1994.



SEE NOTE 1



TTE-70973	2-1	NONE	2-3
MODEL NO.			
TERMINALS CONNECTED WHEN TOGGLE IS IN THE POSITIONS AS SHOWN.			
NOTE: TERMINAL DESIGNATION NUMBERS ARE FOR REFERENCE ONLY AND DO NOT APPEAR ON SWITCH.			

AUGAT D/N TTE-70973

REV B	REVISED 063C-0099-03 DATE: 10JUN03 APP'D: MZ	TOLERANCES (EXCEPT AS NOTED) ANGULAR = ±2° DECIMAL .XX = ±.010 DECIMAL .XXX = ±.010 DECIMAL .XXXX = ±.010	THIRD ANGLE PROJECTION	UNLESS OTHERWISE SPECIFIED DIMENSIONS ARE IN INCHES DO NOT SCALE PRINT		ORIGINAL DATE OF DRAWING: 12-1-86	TYCO ELECTRONICS		
				FILE NAME: TTE70973	DIRECTORY: TOGSWTCH	DRAWN: B.L.	DATE: 12-1-86	TITLE: TTE SPECIAL CUSTOMER: MOTOROLA	
				MATERIAL: N/A		CHECKED: PAUL SMITH	DATE: 12-1-86	DWG. NO. 1-1437563-7	REV. B
				FINISH: N/A		APPROVED: T. SHEK	DATE: 12-4-86	PRODUCT CODE: A51	
				CODE IDENT. NO. 91506	DWG. SIZE C	SCALE: 4:1		SHEET 1 OF 1	
				NEXT ASSY:					