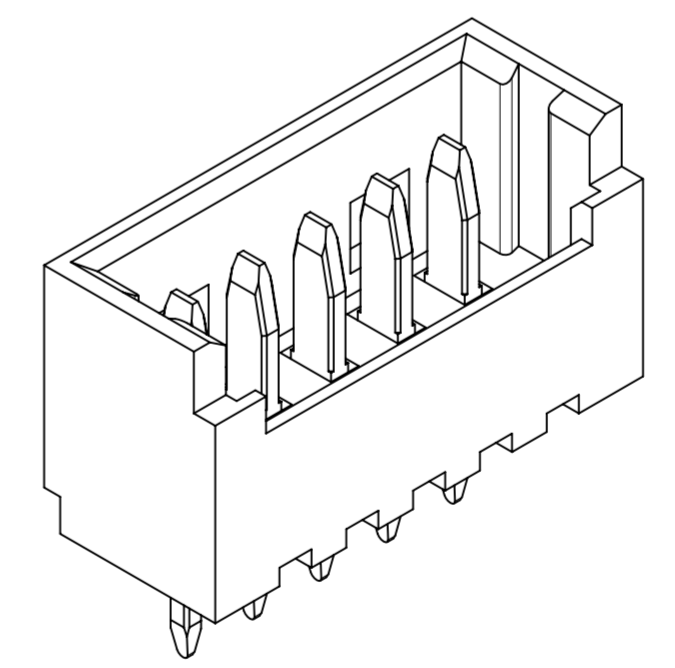
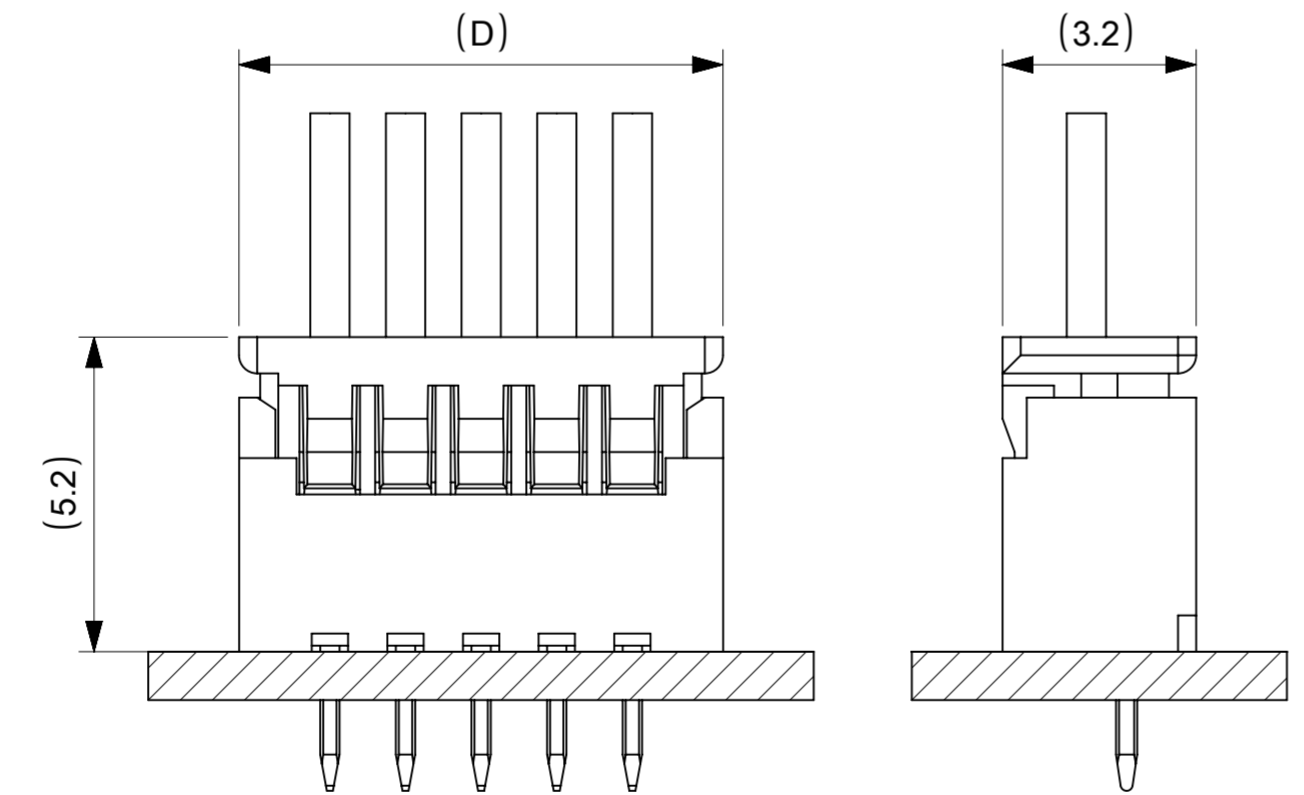
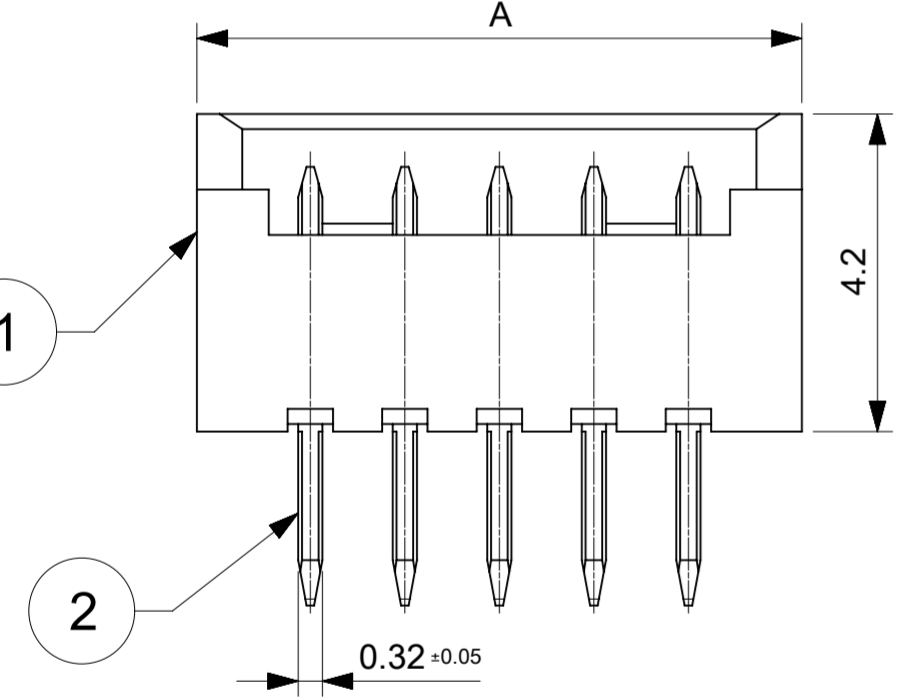
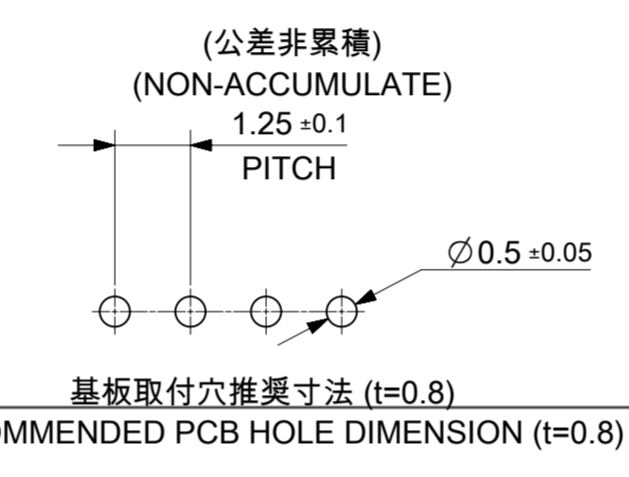
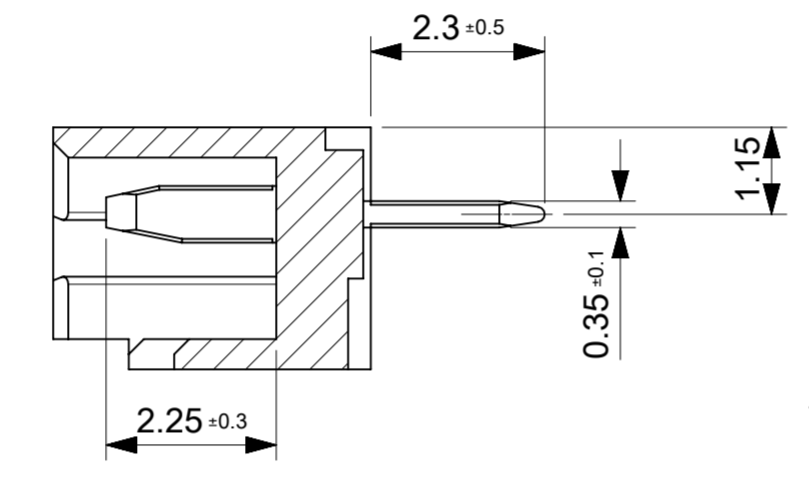
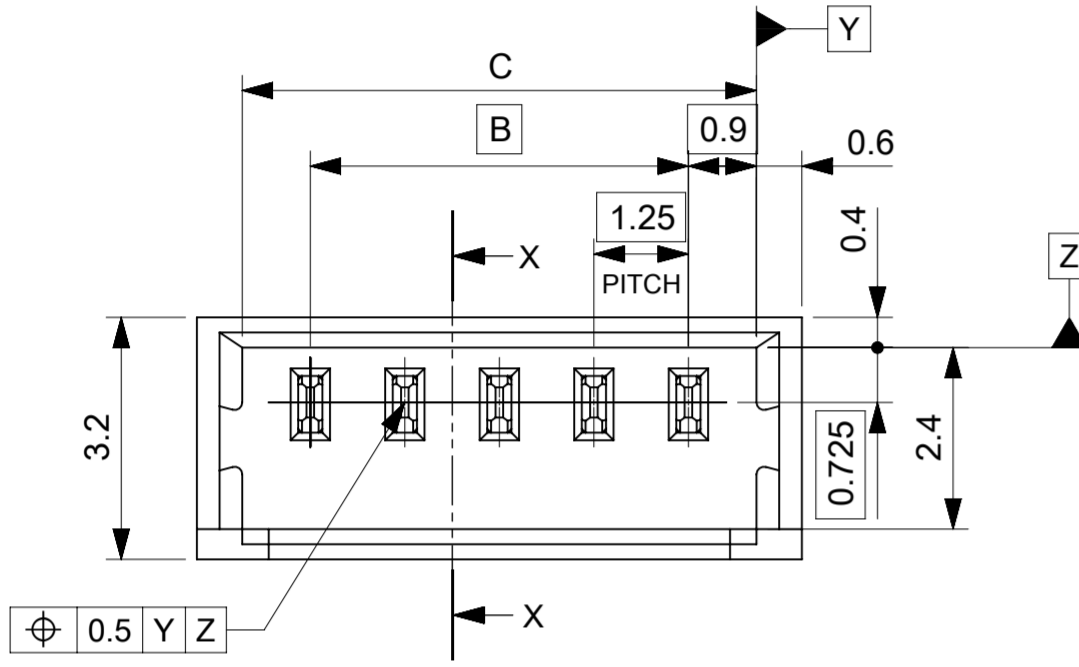


- 注記 NOTES
- 材料及び仕上げ (めっき仕様) : TABLE 1 参照  
MATERIAL AND FINISHES: SEE TABLE 1
  - 適合製品及び各種仕様書はSHEET 2をご参考ください。  
PLEASE REFER TO SHEET 2 FOR APPLICABLE PRODUCTS AND VARIOUS SPECIFICATIONS.
  - ロック窓 LOCKING WINDOW:  
ロック窓は、2、3極では1ヶ所、4極以上では2ヶ所とする。  
ONE PLACE FOR 2 AND 3 CIRCUIT.  
TWO PLACES FOR 4 CIRCUIT AND MORE.
  - 本製品はすずめっき品です。金めっき品は530470001-SDをご参照ください。  
THIS PRODUCT IS TIN PLATING TYPE.  
PLEASE REFER TO 530470001-SD FOR GOLD PLATING TYPE.
- 発注番号 ORDER NUMBER **53047\*\*10**



|       |       |       |       |  |            |
|-------|-------|-------|-------|--|------------|
| 20.5  | 19.3  | 17.5  | 20.5  | 530471510  | 15         |
| 19.25 | 18.05 | 16.25 | 19.25 | 530471410  | 14         |
| 18    | 16.8  | 15    | 18    | 530471310  | 13         |
| 16.75 | 15.55 | 13.75 | 16.75 | 530471210  | 12         |
| 15.5  | 14.3  | 12.5  | 15.5  | 530471110  | 11         |
| 14.25 | 13.05 | 11.25 | 14.25 | 530471010  | 10         |
| 13    | 11.8  | 10    | 13    | 530470910  | 9          |
| 11.75 | 10.55 | 8.75  | 11.75 | 530470810  | 8          |
| 10.5  | 9.3   | 7.5   | 10.5  | 530470710  | 7          |
| 9.25  | 8.05  | 6.25  | 9.25  | 530470610  | 6          |
| 8     | 6.8   | 5     | 8     | 530470510  | 5          |
| 6.75  | 5.55  | 3.75  | 6.75  | 530470410  | 4          |
| 5.5   | 4.3   | 2.5   | 5.5   | 530470310  | 3          |
| 4.25  | 3.05  | 1.25  | 4.25  | 530470210  | 2          |
| D     | C     | B     | A     | △5 オーダー番号 ORDER NO.<br>梱包形態: トレイ梱包 PACKAGING: PLASTIC TRAY | 極数 CIRCUIT |

△1 TABLE 1

△1 嵌合図 MATED CONNECTOR

| 番号 NO.          | 部品 PART        | 材質 MATERIAL   |  |
|-----------------|----------------|---|--|
| ①               | ハウジング HOUSING  | ポリアミド(PA), UL94V-0, 色: ナチュラル (ホワイト)<br>POLYAMIDE(PA), UL94V-0, COLOR: NATURAL (WHITE) |  |
| ②               | ターミナル TERMINAL | 母材 MATERIAL   | りん青銅 PHOSPHOR BRONZE   |
|                 |                | コンタクト部 CONTACT AREA   | 無光沢錫めっき 0.9 MICRO-METER MIN. (リフロー処理、前めっき)                             |
|                 |                | テール部 TAIL AREA  | MATTE TIN PLATING 0.9 MICRO-METER MIN. (REFLOW TREATMENT, PRE-PLATING) |
| DOCUMENT STATUS | P1             | RELEASE DATE  | 2022/04/19 08:41:22  |

THIS DRAWING CONTAINS INFORMATION THAT IS PROPRIETARY TO MOLEX ELECTRONIC TECHNOLOGIES, LLC AND SHOULD NOT BE USED WITHOUT WRITTEN PERMISSION

|  |                        |  |
|--|------------------------|--|
| DIMENSION UNITS                                      | SCALE                  | CURRENT REV DESC: REVISED                            |
| mm   | NTS                    |  |
| GENERAL TOLERANCES (UNLESS SPECIFIED)                |                        |  |
| ANGULAR TOL  | ± 3.0°                 | EC NO: 698818  |
| 4 PLACES   | ± 0.2                  | DRWN: HHUSSIN 2022/02/16                             |
| 3 PLACES   | ± 0.2                  | CHK'D: SAKIYAMA 2022/04/19                           |
| 2 PLACES   | ± 0.2                  | APPR: AIDA 2022/04/19                                |
| 1 PLACE  | ± 0.2                  | INITIAL REVISION:                                    |
| 0 PLACES   | ± 0.2                  | DRWN: SOBARA01 2019/04/10                            |
|  |                        | APPR: AIDA 2019/10/15                                |
| DRAFT WHERE APPLICABLE MUST REMAIN WITHIN DIMENSIONS | THIRD ANGLE PROJECTION | DRAWING SERIES MATERIAL NUMBER CUSTOMER SHEET NUMBER |
|  |                        | A2-SIZE 53047 SEE CHART GENERAL 1 OF 2               |

**molex**

PICOBLADE 1.25  
HEADER ASSY DIP VT TIN PLATING TYPE

PRODUCT CUSTOMER DRAWING

DOCUMENT NUMBER: 530470000-SD  
DOC TYPE: PSD  
DOC PART: 000  
REVISION: B

△ 適合製品及び各種仕様書  
 APPLICABLE PRODUCTS AND SPECIFICATIONS

|  |                 |                          |           |                                       |           |
|--|-----------------|--------------------------|-----------|---------------------------------------|-----------|
| 梱包仕様書<br>PACKING SPECIFICATION                   |                 | PART NUMBER<br>53047**10 |           | SPECIFICATION NUMBER<br>SPK-53047-001 |           |
| 適合ハウジング<br>APPLICABLE HOUSING                    |                 | PART NUMBER<br>51021**00 |           |                                       |           |
| 適合圧着端子<br>APPLICABLE TERMINAL                    | PLATING         | TIN                      |           |                                       |           |
|  | PART NUMBER     | 500798*00                | 500588*00 | 500798001                             | 500588001 |
|  | WIRE SIZE (AWG) | #26-28                   | #28-32    | #26-28                                | #28-32    |
| 製品仕様書<br>PRODUCT SPECIFICATION                   |                 | PS-51021-010 PS 001      |           | 510211110-PS PS 000                   |           |
| アプリケーション仕様書 (取扱説明書)<br>APPLICATION SPECIFICATION |                 | 510210000-AS PS 000      |           |                                       |           |

|   |        |                            |         |        |   |          |              |     |     |   |
|---|--------|----------------------------|---------|--------|---|----------|--------------|-----|-----|---|
| THIS DRAWING CONTAINS INFORMATION THAT IS PROPRIETARY TO MOLEX ELECTRONIC TECHNOLOGIES, LLC AND SHOULD NOT BE USED WITHOUT WRITTEN PERMISSION |        |                            |         |        |   |          |              |     |     |   |
| DIMENSION UNITS   | SCALE  | CURRENT REV DESC: REVISED  |         |        | <b>molex</b>  |          |              |     |     |   |
| mm  | NTS    |                            |         |        |   |          |              |     |     |   |
| GENERAL TOLERANCES (UNLESS SPECIFIED)   |        |                            |         |        | PICOBLADE 1.25<br>HEADER ASSY DIP VT TIN PLATING TYPE |          |              |     |     |   |
| ANGULAR TOL   | ± 3.0° | EC NO: 698818              |         |        | PRODUCT CUSTOMER DRAWING                              |          |              |     |     |   |
| 4 PLACES  | ± 0.2  | DRWN: HHUSSIN 2022/02/16   |         |        |   |          |              |     |     |   |
| 3 PLACES  | ± 0.2  | CHK'D: SAKIYAMA 2022/04/19 |         |        |   |          |              |     |     |   |
| 2 PLACES  | ± 0.2  | APPR: AIDA 2022/04/19      |         |        |   |          |              |     |     |   |
| 1 PLACE   | ± 0.2  | INITIAL REVISION:          |         |        | DOCUMENT NUMBER                                       |          |              |     |     |   |
| 0 PLACES  | ± 0.2  | DRWN: SOBARA01 2019/04/10  |         |        | 530470000-SD  |          |              | PSD | 000 | B |
| DRAFT WHERE APPLICABLE MUST REMAIN WITHIN DIMENSIONS  |        | THIRD ANGLE PROJECTION     | DRAWING | SERIES | MATERIAL NUMBER                                       | CUSTOMER | SHEET NUMBER |     |     |   |
|   |        |                            | A2-SIZE | 53047  | SEE CHART   | GENERAL  | 2 OF 2       |     |     |   |

|                 |    |              |            |          |
|-----------------|----|--------------|------------|----------|
| DOCUMENT STATUS | P1 | RELEASE DATE | 2022/04/19 | 08:41:22 |
|-----------------|----|--------------|------------|----------|