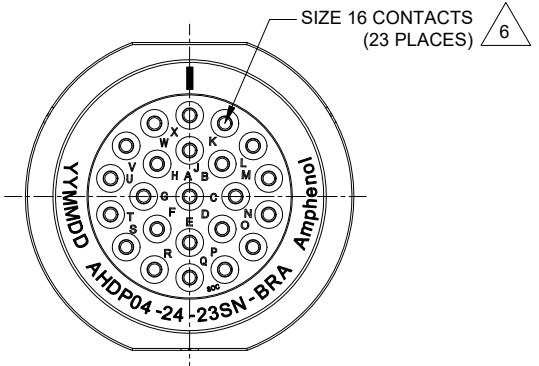
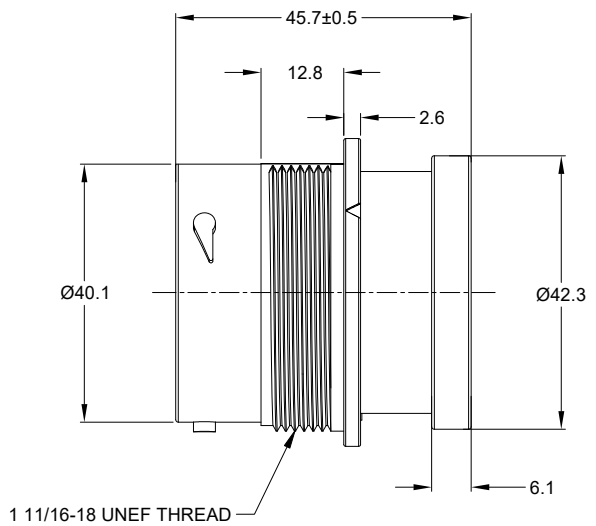
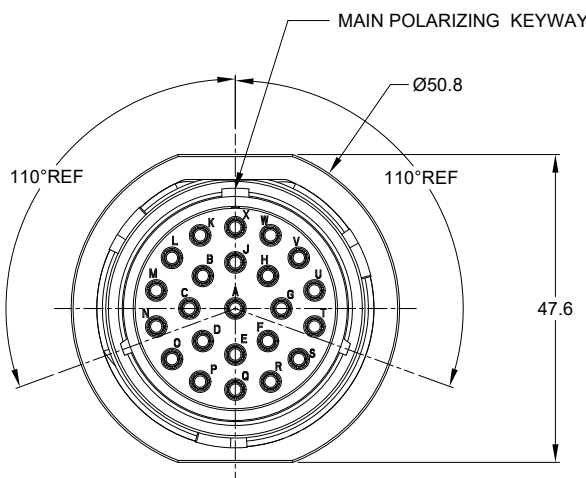


REVISIONS					
REV	ECO	DESCRIPTION	DATE	BY	APPR
A1	--	RELEASE NEW DRAWING	01MAR22	VITO	TOMMY



NOTES: UNLESS OTHERWISE SPECIFIED

- MATERIAL:
HOUSING: THERMOPLASTIC; BLACK
SEAL: SILICONE RUBBER
- MODIFICATIONS: BACKSHELL RING ADAPTER (BRA);
STANDARD DIA. WIRE SEAL
- SPECIFICATIONS:
3.1 OPERATING TEMPERATURE: -55°C TO +125°C.
3.2 DIELECTRIC WITHSTANDING VOLTAGE: LESS THAN 2 MILLIAMPS CURRENT LEAKAGE @ 1500 VOLTS AC.
3.3 INSULATION RESISTANCE: 1000 MEGOHM MIN @ 25°C.
3.4 MOISTURE RESISTANCE:
IP68 (IM OF WATER FOR A PERIOD OF 24 HOURS, MATED CONDITION);
IP69K (MATED CONDITION)
3.5 MATING CYCLE DURABILITY: 100 CYCLES
3.6 RoHS COMPLIANT

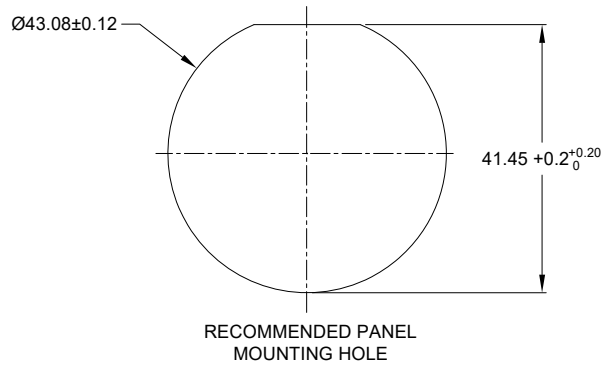
4. MATING PART: AHDPO6-24-23P* (* = SEAL TYPE)

5. ALL DIMENSIONS ARE FOR REFERENCE USE ONLY.

6. CONTACT SIZE AND WIRE RANGE:

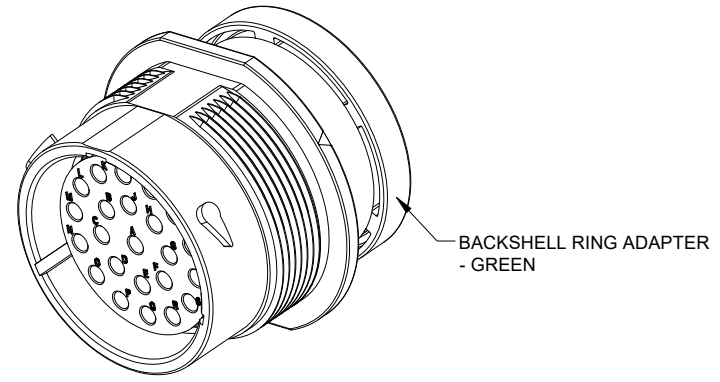
CONTACT SIZE	MIN. INSUL O.D.	MAX. INSUL O.D.	TYPICAL WIRE RANGE	CURRENT RATING
16	2.54 mm (.100in)	3.40 mm (.134 in)	14-20 AWG (2.0-0.5mm ²)	13 AMPS

7. RECEPTACLE IS SUPPLIED WITH DUST CAP.



RECOMMENDED PANEL MOUNTING HOLE

RECOMMENDED PANEL THICKNESS: 1.6 TO 4.7MM



QUANTITY	AHDPO4-24-23SN-BRA	REF:HDP24-24-23SN-L017	ITEM
	PART NUMBER	DESCRIPTION	

MATERIALS LIST											
UNLESS OTHERWISE SPECIFIED	SIGNATURES	DATE									
1) All dimensions are in metric (mm). 2) Tolerances are as follows: 1 PL DEC ±0.30 Fractions ±1/64 2 PL DEC ±0.15 Angles ±1° 3) Note reference =	DRAWN: VITOLI	01MAR22	 Sine Systems - www.amphenol-sine.com 44724 Morley Drive Clinton Township, MI 48036								
	CHECKED: ORIONLI	02MAR22									
	ENGINEER: TOMMY	03MAR22									
MATERIAL SPECIFICATIONS: WEIGHT: 58.2g	CUSTOMER:		23POS, RECEPTACLE, SOCKET, SIZE 24, NORMAL SEAL, BRA, DURAMATE AHPD								
PROCESS SPECIFICATIONS:	THIS DRAWING IS SUPPLIED FOR INFORMATION ONLY. DESIGN FEATURES, SPECIFICATIONS AND PERFORMANCE DATA SHOWN HEREON ARE THE PROPERTY OF THE AMPHENOL CORPORATION. NO RIGHTS OF REPRODUCTION ARE IMPLIED. ALL DIMENSIONS ARE SUBJECT TO NORMAL MANUFACTURING VARIATIONS.		<table border="1"> <tr> <td>SIZE</td> <td>TYPE</td> <td>DWG NO.</td> <td>REVISION</td> </tr> <tr> <td>B</td> <td>C-</td> <td>AHDPO4-24-23SN-BRA</td> <td>A1</td> </tr> </table>	SIZE	TYPE	DWG NO.	REVISION	B	C-	AHDPO4-24-23SN-BRA	A1
SIZE	TYPE	DWG NO.	REVISION								
B	C-	AHDPO4-24-23SN-BRA	A1								
NEXT ASSY:	SCALE: NONE	DURAMATE	SHEET 1 OF 1								

TITLE: 23POS RECEPTACLE SOCKET SIZE 24 NORMAL SEAL BRA DURAMATE AHPD
 DWG NO: AHDPO4-24-23SN-BRA
 REV: A1
 SH: 1
 OF: 1