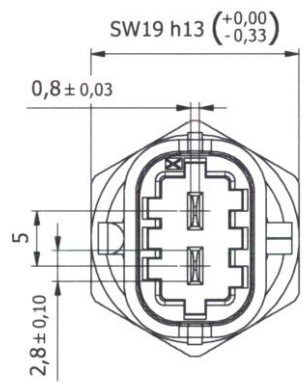
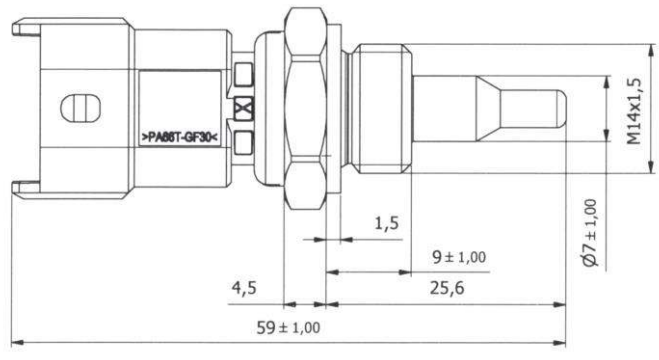


Temperature sensor

94085

NTC Sensor, thermally decoupled



Connector		Dimensions	
			
Media	Liquid media e.g. water, oil	Connector	Bosch Compact (D 928 002 69A), Female connector on request
Nominal resistance	2,055 Ω (25 °C), 186,5 Ω (100 °C)	Sealing ring	Al-seal, captive
Temperature range	- 40 °C to + 150 °C	Protection range	IP 6K9K
Time of response	T63 < 4s (water) T90 < 6s (water)	Order number	94085 00910
Thread	M14 x 1.5	Housing	Stainless steel