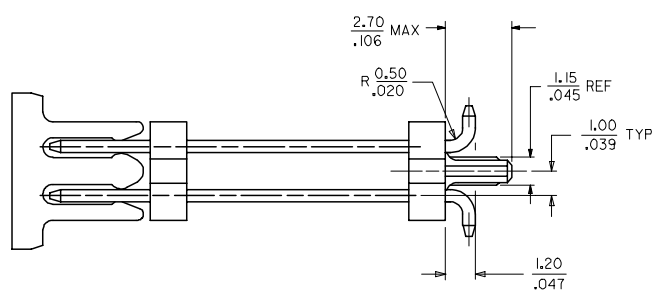
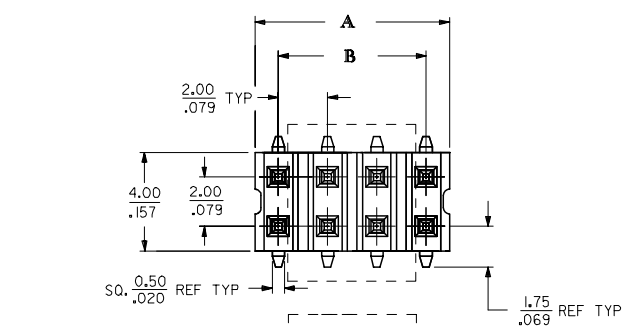
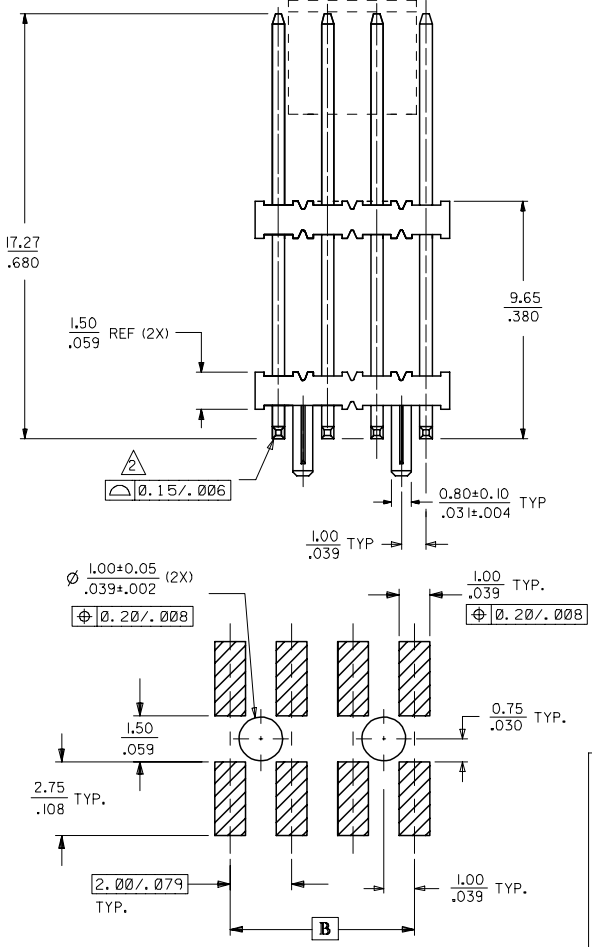
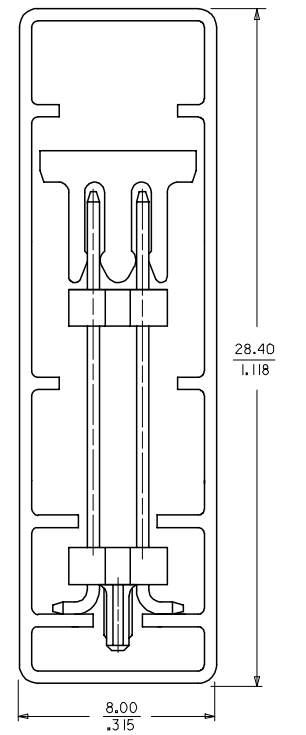
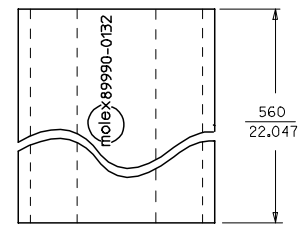


10 9 8 7 6 5 4 3 2 1

F
E
D
C
B
A



PART NO. W/ CAP IN TUBE	CKT SIZE	DIMENSION			
		A		B	
		MM	INCH	MM	INCH
87762-0872	08	7.90	.311	6.00	.236



NOTES:

- PRODUCT SPECIFICATION PS-87761-001 APPLIES.
 - COPLANARITY IS TO BE MEASURED BY RESTING THE SOLDER TAIL ON A GAUGE SURFACE.
 - RECOMMENDED PC BOARD THICKNESS IS 1.60±0.10MM
 - PLATING FINISH:
0.38um/15uIn MIN GOLD IN CONTACT AREA
TIN IN SOLDER TAIL AREA,
BOTH OVER NICKEL.
- HSG : NYLON, GLASS-FILLED, UL94V-0,
COLOR BLACK.
PIN : PHOSPHOR BRONZE, SQ. 0.50MM

EC NO: S2005-0925 DRWNS:SKLIM01 2005/08/01 CHKD:BOKOK 2005/08/05 APPR:PTLIM 2005/08/05	QUALITY SYMBOLS ▽=0 ▽=0	GENERAL TOLERANCES (UNLESS SPECIFIED)	DIMENSION STYLE MM/IN	SCALE NTS	DESIGN UNITS METRIC	THIRD ANGLE PROJECTION
		4 PLACES ± --- ± --- 3 PLACES ± --- ± --- 2 PLACES ± 0.2 ± --- 1 PLACE ± --- ± --- ANGULAR ± 3 °	DRAWN BY SKLIM01 DATE 2005/05/27	CHECKED BY BOKOK DATE 2005/07/29	APPROVED BY PTLIM DATE 2005/07/29	TITLE SALES DRAWING MGRID, 2MM DR HEADER SMT, W/CAP & W/SPACER
A	REV	DRAFT WHERE APPLICABLE MUST REMAIN WITHIN DIMENSIONS	MATERIAL NO. SEE TABLE	DOCUMENT NO. SD-87762-072	MOLEX INCORPORATED	

9 8 7 6 5 4 3 2 1