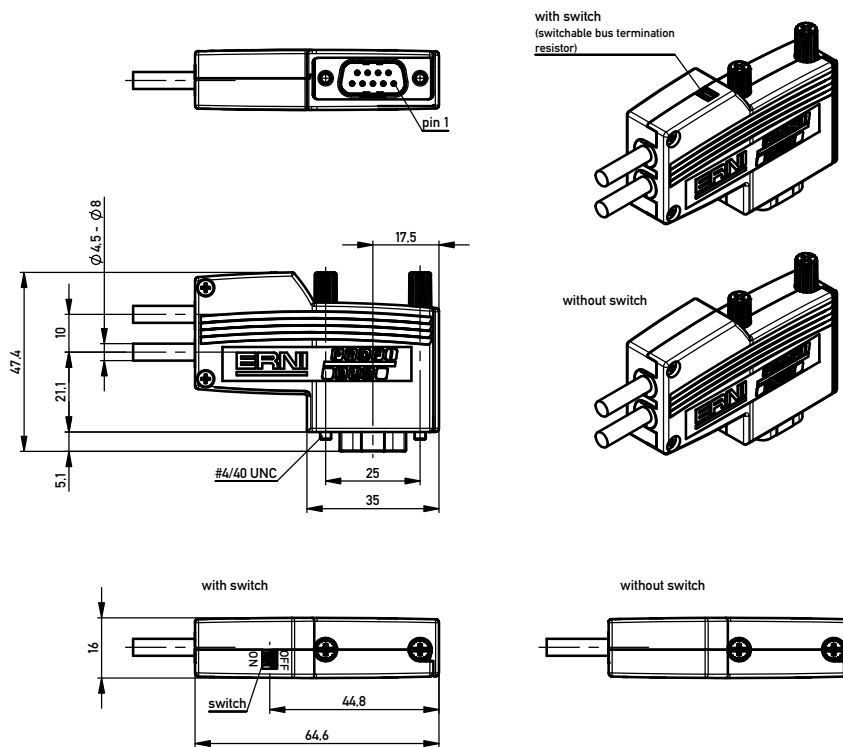
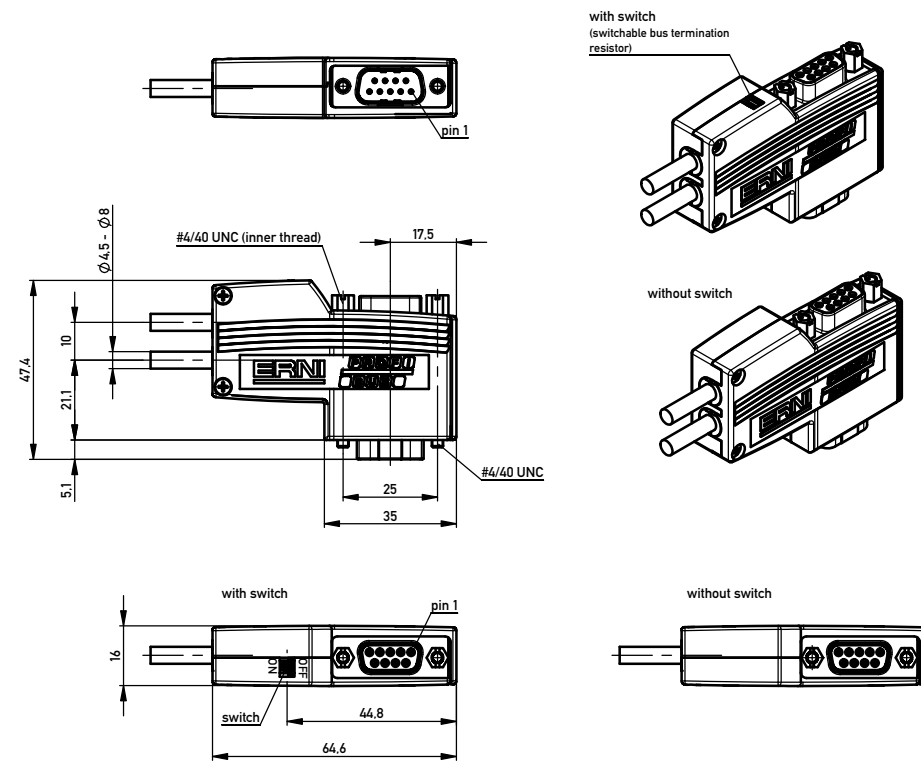


ERbic Profibus, horizontal, reversed



ERbic Profibus with PU interface, horizontal, reversed



134109	Switch	without	Screw clamp 4 pin	pebble grey	A- and B Line	#4-40 UNC
144176			IDC terminal 2x2 pin			
104577	Node		Screw clamp 4 pin			
104322	Termination		Screw clamp 2 pin	yellow		
Part number	Type	Programming interface (PU)	Cable termination	Colour	Signals / Power supply	Fastening screw thread

154842	Switch	with	IDC terminal 2x2 pin	pebble grey	A- and B Line	#4-40 UNC
Part number	Type	Programming interface (PU)	Cable termination	Colour	Signals / Power supply	Fastening screw thread

- Notes:
1. Operating temperature: -20°C / +70°C
 2. Protection class: IP40
 3. Sealing plate: Drawing number 103356.

Information:	Tolerances	Scale 1:1	Designation
All rights reserved. Only for information. To ensure that this is the latest version of this drawing, please contact one of the ERNI companies before using.	Subject to modification without prior notice. Drawing will not be updated.	 <small>All Dimensions in mm</small>	ERbic horiz.rev. Profibus
			<i>General plan</i>
<small>Copyright by ERNI GmbH</small> <small>Proprietary notice pursuant to ISO 10002 to be observed</small>	 www.ERNI.com	324262	I A2
Index	Date	Class	ERBIC