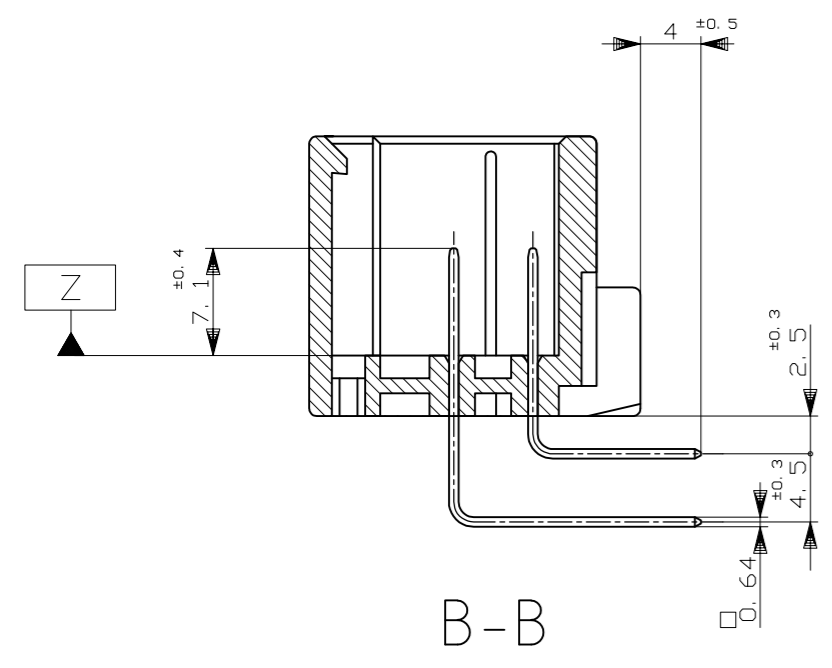
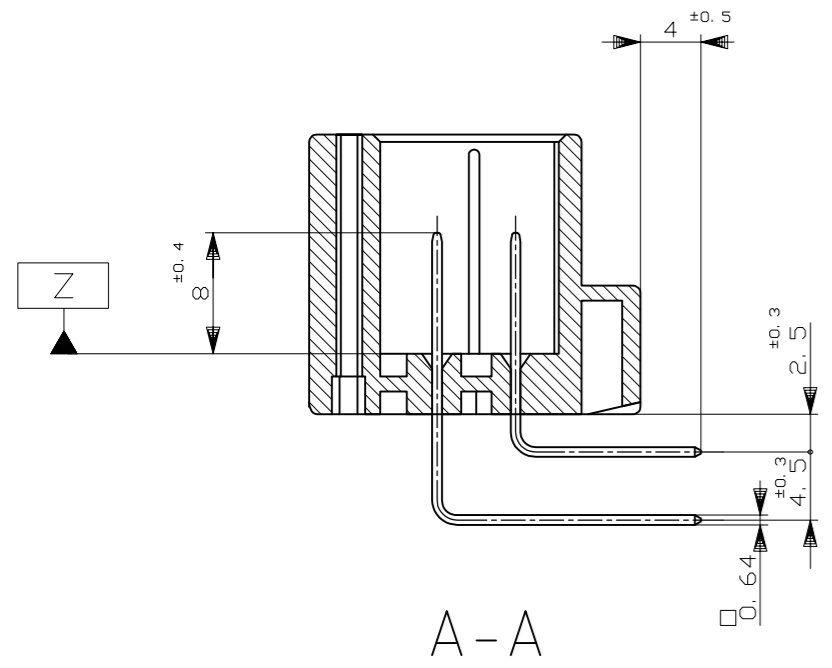
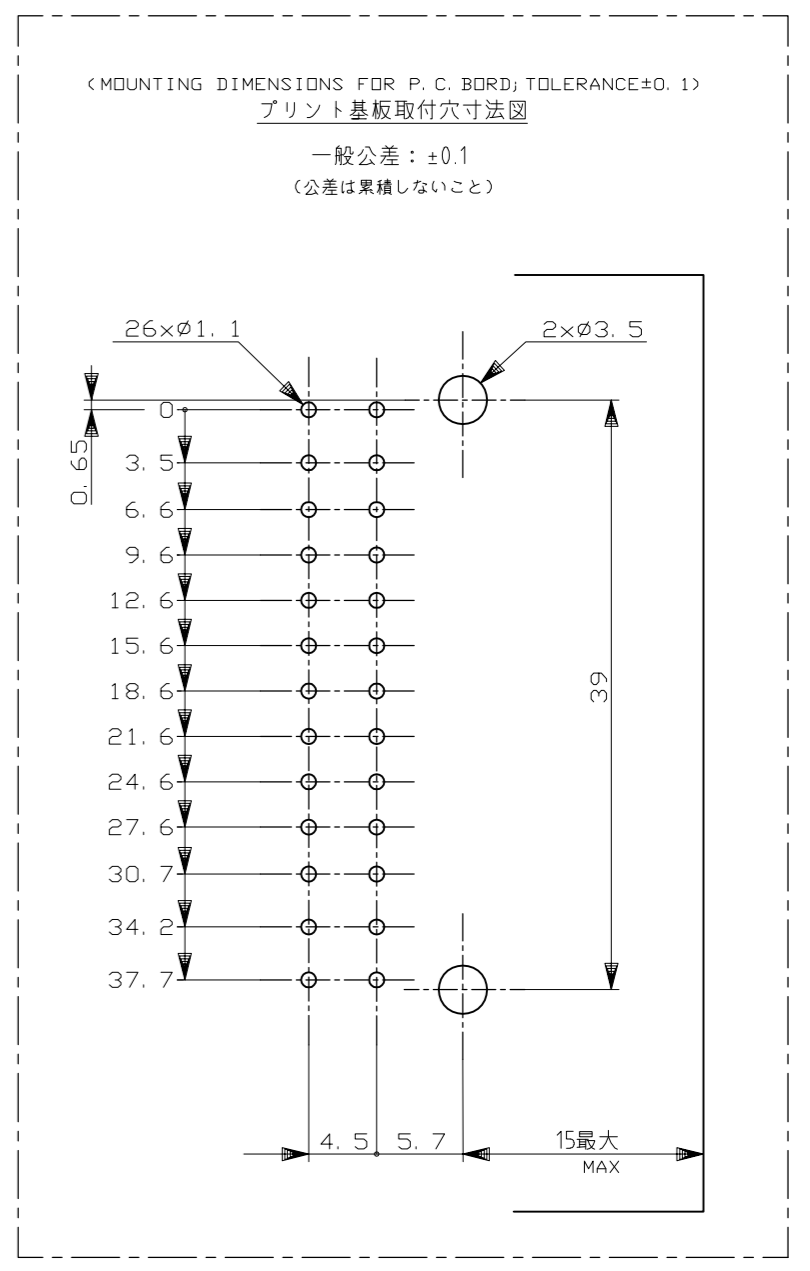
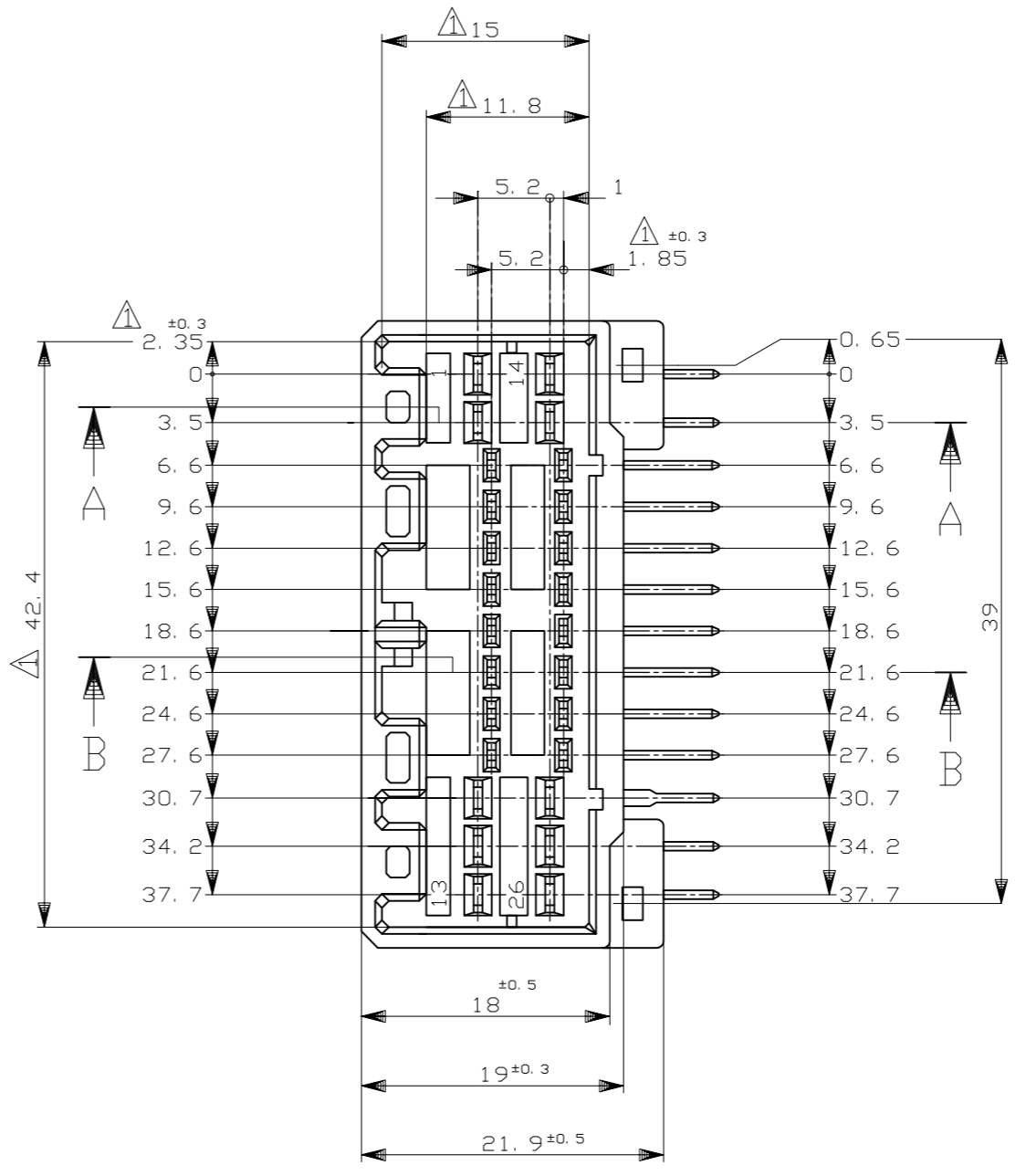
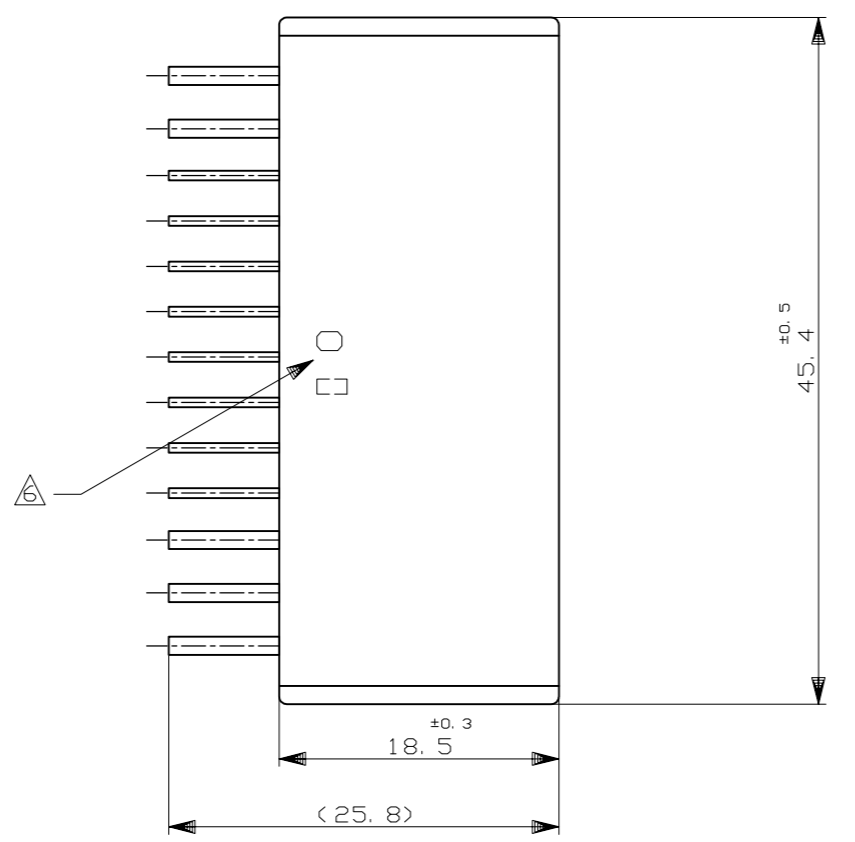
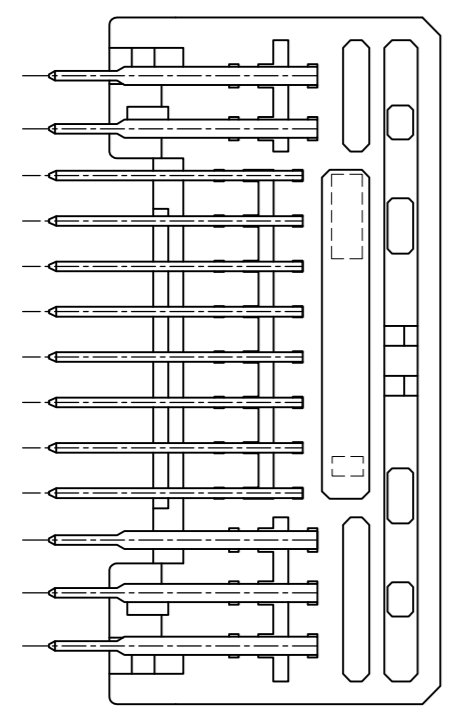
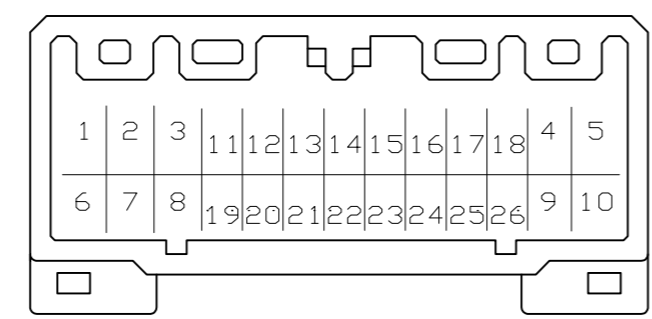


THIS DRAWING IS UNPUBLISHED. RELEASED FOR PUBLICATION
 © COPYRIGHT - By Tyco Electronics Japan G.K. ALL RIGHTS RESERVED.

LOC	DIST	REVISIONS					
J	-	P	LTR	DESCRIPTION	DATE	DWN	APVD
		E5	REVISED	ECR-15-008942	15JUN15	KF	RK



- 面から2mmの範囲で測定
- 嵌合相手ハウジング型: 175567, 917994
- 推奨取付ねじ: JIS B1115, B1122 タッピンねじ, なべ2種
呼び径3, 長さ6mm以下 (締付けトルク: 0.4N-m (4kg-cm) 以下)
- 適用製品規格番号: 108-5280, 108-5342
- 回路番号:
 パワー回路 ① ~ ⑩
 シグナル回路 ⑪ ~ ⑳



- 適用製品型番のアプリフィックス及びIDマークをカラーホットマークにて表示
- MUST BE KEPT BETWEEN Z AND 2
- THE MATING PLUG HSG. PART NUMBER; 175567, 917994
- RECOMMENDED MOUNTING SCREW; 3mm DIA, 6mm LENGTH (MAX.)
PAN HEAD, CLASS 2 TAPPING SCREW SPECIFIED IN JIS B1115, B1122
(TIGHTENING TORQUE; 0.4N-m (4kg-cm) MAX.)
- APPLICABLE PRODUCT SPEC NO; 108-5280, 108-5342
- CIRCUIT NUMBER
POWER CIRCUIT NO. ① ~ ⑩
SIGNAL CIRCUIT NO. ⑪ ~ ⑳
- INDICATED PREFIX AND ID MARK OF PRODUCT P/N BY COLOR HOT MARK

TOLERANCES UNLESS OTHERWISE SPECIFIED.	
一般公差	
10 μ	± 0.2
30 μ	± 0.25
100 μ	± 0.3
	ANGLE: $\pm 0.3^\circ$

MARKING	SOLDERING SIDE 半田付け面	CONTACT FINISH 接触部仕上げ	CONTACT SIDE 接触部側	POWER CIRCUIT NO. パワー回路	SIGNAL CIRCUIT NO. シグナル回路	COLOR 色	PART NUMBER 製品型番
53	SELECTIVE-TIN (MATTE)	SELECTIVE GOLD x 2	-	25, 26	NATURAL 自然色	3-5178762-1	
55	SELECTIVE-TIN (MATTE)	PRE-TIN x 24	-	13, 14, 19, 22	NATURAL 自然色	5-5178762-1	
54	SELECTIVE-TIN (MATTE)	SELECTIVE-TIN (BRIGHT) x 22	-	14, 22	BLACK 黒色	4-5178762-2	
52	SELECTIVE-TIN (MATTE)	SELECTIVE-TIN (BRIGHT) x 24	3, 8	12~17, 19~21	GRAY 灰色	2-5178762-6	
5	TIN-LEAD	SELECTIVE GOLD x 11	-	13, 14, 19, 22	NATURAL 自然色	5-178762-1	
4	TIN-LEAD	SELECTIVE GOLD x 15	-	14, 22	BLACK 黒色	4-178762-2	
3	TIN-LEAD	SELECTIVE GOLD x 2	-	25, 26	NATURAL 自然色	3-178762-1	
2	TIN-LEAD	PRE-TIN x 24	3, 8	12~17, 19~21	GRAY 灰色	2-178762-6	
2	TIN-LEAD	PRE-TIN x 15	3, 8	12~17, 19~21	NATURAL 自然色	2-178762-1	
0	TIN-LEAD	PRE-TIN x 15	-	-	GRAY 灰色	178762-6	
0	TIN-LEAD	PRE-TIN x 26	-	-	BLUE 青色	178762-5	
0	TIN-LEAD	PRE-TIN x 26	-	-	BLACK 黒色	178762-2	
0	TIN-LEAD	PRE-TIN x 26	-	-	NATURAL 自然色	178762-1	

THIS DRAWING IS A CONTROLLED DOCUMENT.

DIMENSIONS: 単位: 寸 mm

TOLERANCES UNLESS OTHERWISE SPECIFIED: 一般公差

MATERIAL: HOUSING: PBT CONTACT: BRASS

FINISH: 仕上

DWN: T.SHINOHARA 12FEB08
CHK: K.BETSUI 12FEB08
APVD: K.BETSUI 12FEB08

NAME: 名称

PRODUCT SPEC: 製品規格
APPLICATION SPEC: 取付適用規格

SEE NOTE 4

TE Connectivity

26POSITION CAP HOUSING ASSEMBLY
040/070 SERIES HYBRID I/O CONNECTOR

SIZE: A2 CAGE CODE: 00779 DRAWING NO: C=178762

RESTRICTED TO: -

CUSTOMER DRAWING SCALE: 2:1 SHEET: 1 OF 1 REV: E5