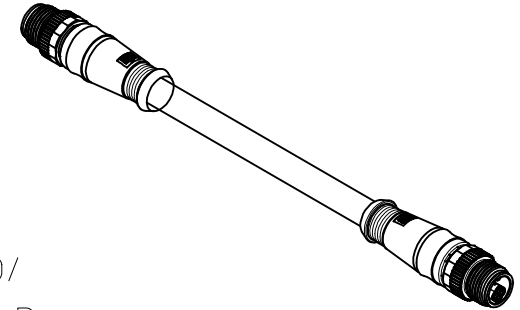
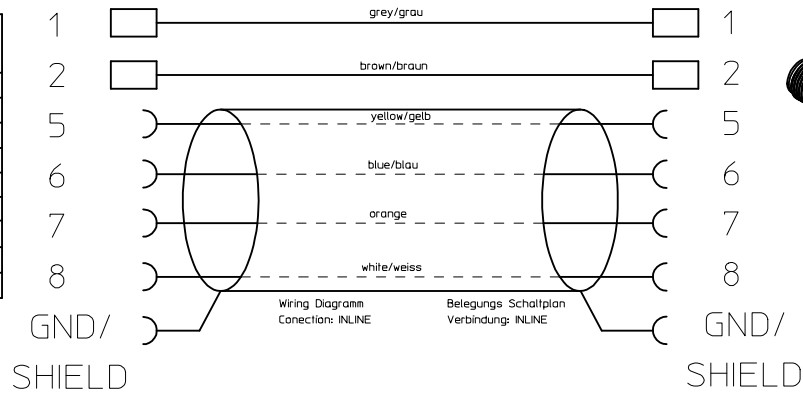
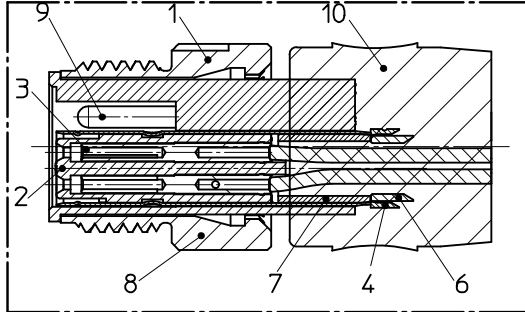


TAB.:1

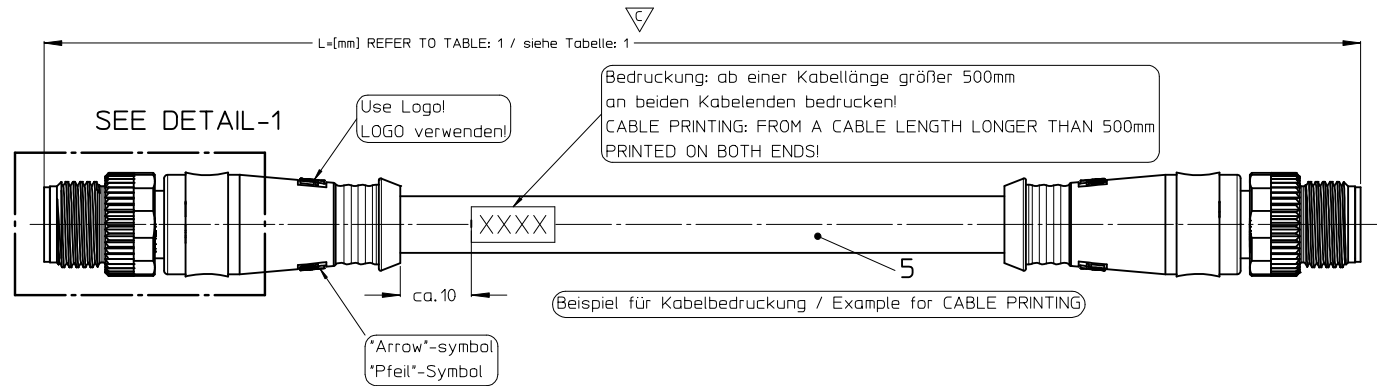
Material No. Material Nr	Cable(5) Kabel (5)	Description Beschreibung	Length(L=mm) Länge (L=mm)	Tolerance Toleranz
1203550002	1203550013	D/E Cordset male straight	250	±10
1203550014	1203550013	D/E Cordset male straight	500	±10
1203550015	1203550013	D/E Cordset male straight	1000	±25
1203550016	1203550013	D/E Cordset male straight	1500	±25
1203550017	1203550013	D/E Cordset male straight	2000	±25
1203550018	1203550013	D/E Cordset male straight	5000	±25
1203550019	1203550013	D/E Cordset male straight	8000	±25
1203550020	1203550013	D/E Cordset male straight	10000	±30
1203550021	1203550013	D/E Cordset male straight	15000	±30



CUTAWAY-1



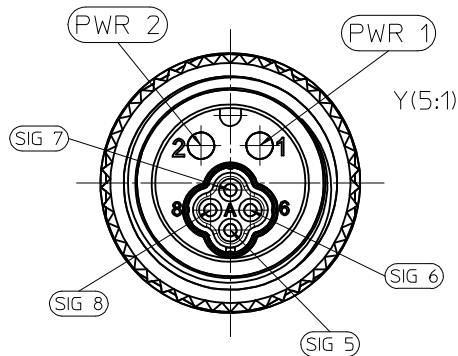
DETAIL-11  
SCALE 4:1



Molex Connectivity GmbH <15mm> Material-No. aus Tabelle:1 <15mm> Prod. Datum <15mm> Kabellänge

Pos.	Amount	Description
11	2	Copper tape tinned 10x20mm
10	2	Overmold UL M12 straight-9,2mm
9	4	M12 Contact male turned 15DIA AWG18
8	2	M12 Coupling Screw with Hex Flats
7	2	M12 Hybrid Distance Shell
6	2	Signal braid crimping shell
5	1	CABLE -> See Product Table
4	2	M12 Hybrid Male Cordset Shielding Shell
3	8	M12-BU Contact 12-pol
2	2	M12 Hybrid Insert Signal Male
1	2	M12 Hybrid Male cordset Insert Power

Stückliste/ BOM



Front View of Connector Interface  
Draufsicht auf Steckergesicht

ENTER DESCRIPTION EC NO: IFC2016-0466 DRAWN BY: RSILLER 2015/09/25 CHKD:GRUEDL 2015/09/25 APPR:RSILLER 2015/09/25 A2	QUALITY SYMBOLS ▽=0 ▽=1	GENERAL TOLERANCES (UNLESS SPECIFIED)		DIMENSION STYLE MM ONLY		SCALE 2:1	DESIGN UNITS METRIC	THIRD ANGLE PROJECTION	
		mm	INCH	DRAWN BY RSILLER	DATE 2010/08/11	TITLE CSE M12 CHT 6P 4+2P MA FE STR PUR XM DE SHLD BRA AU	MOLEX INCORPORATED		
		4 PLACES ±---	±---	APPROVED BY EROEZDEMIR	DATE 2010/08/24	MATERIAL NO. SD-120355-002		SHEET NO. 1 OF 2	
		3 PLACES ±---	±---	APPROVED BY AVOGT		DATE 2010/08/27		DOCUMENT NO.	
		2 PLACES ±0.05	±---	DRAFT WHERE APPLICABLE MUST REMAIN WITHIN DIMENSIONS					
		1 PLACE ±0.1	±---	THIS DRAWING CONTAINS INFORMATION THAT IS PROPRIETARY TO MOLEX INCORPORATED AND SHOULD NOT BE USED WITHOUT WRITTEN PERMISSION					

Description:  
M12 Hybrid Cordset applications.  
Transmission after CAT5e (Signal contacts only)  
Special Keyway 4+2

Electrical Data:  
Signal: 4 Poles  
Max. Voltage: 30V  
Max. Current: 0,5A at 55°C  
Contact Resistance: <5 mOhm  
Insulation Resistance: >100 MOhm  
Impedance: 100 Ohm  
HF performance testing: limits class D/CAT5e,  
according ISO IEC 11801/TIA-568-C.2 "Permanent Link"

Power: 2 Poles  
Max. Voltage: 60V  
Max. Current: 12A  
Contact Resistance: <5 MOhm  
Insulation Resistance: >100 MOhm

Environmental:  
Protection: IP67  
Temperature Range: -25°C to 75°C

Packaging:  
The cordset is packed and shipped out in a cardbox.

Beschreibung:  
M12 Hybrid Kabelsatz Anwendung  
CAT5e Übertragung (nur Signalkontakte)  
Spezialkodierung 4+2

Elektrische Data:  
Signal: 4 Pol  
Max. Spannung: 30V  
Max. Strom : 0,5A bei 55°C  
Kontaktwiderstand: <5 mOhm  
Isolationwiderstand: >100 MOhm  
Impedanz: 100 Ohm  
HF Leistungstest: Grenzbereich Klasse D/CAT5e,  
nach ISO IEC 11801/TIA-568-C.2 "Dauerhafte Verbindung"

Power: 2 Pol  
Max. Spannung: 60V  
Max. Strom: 12A  
Kontaktwiderstand: <5 mOhm  
Isulationswiderstand: >100 MOhm

Umgebung:  
Schutzklasse: IP67  
Temperaturbereich: -25°C bis 75°C

Verpackung:  
Der Kabelsatz wird in einer Kartonagebox versand.

ENTER DESCRIPTION EC NO: IFC2016-0466 2015/09/25 DRW:RSILLER CHKD:GRUEDL 2015/09/25 APPR:RSILLER 2015/09/25	QUALITY SYMBOLS ▽=0 ▽=0	GENERAL TOLERANCES (UNLESS SPECIFIED)		DIMENSION STYLE MM ONLY		SCALE 2:1	DESIGN UNITS METRIC	THIRD ANGLE PROJECTION	
		mm	INCH	DRAWN BY RSILLER	DATE 2010/08/11	TITLE CSE M12 CHT 6P 4+2P MA FE STR PUR XM DE SHLD BRA AU			
A2	DESCRIPTION REV	4 PLACES	± ---	± ---	CHECKED BY EROEZDEMIR	DATE 2010/08/24	molex		
		3 PLACES	± ---	± ---	APPROVED BY AVOGT	DATE 2010/08/27			
		2 PLACES	± 0.05	± ---	MATERIAL NO.		DOCUMENT NO.	SHEET NO.	
		1 PLACE	± 0.1	± ---	see page 1		SD-120355-002	2 OF 2	
		0 PLACE	± ---	± ---	THIS DRAWING CONTAINS INFORMATION THAT IS PROPRIETARY TO MOLEX INCORPORATED AND SHOULD NOT BE USED WITHOUT WRITTEN PERMISSION				
		ANGULAR ±0.5°							
		DRAFT WHERE APPLICABLE MUST REMAIN WITHIN DIMENSIONS							