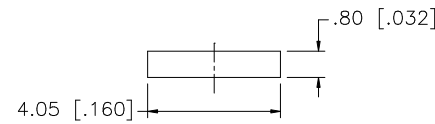
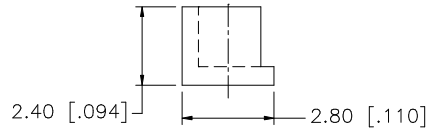
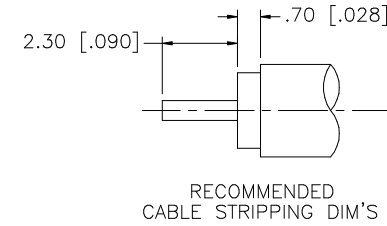
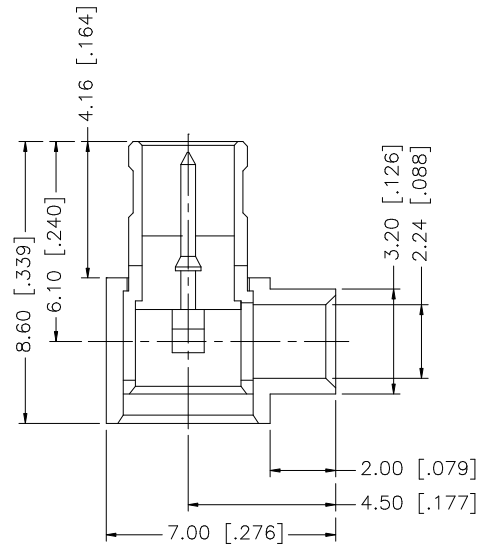
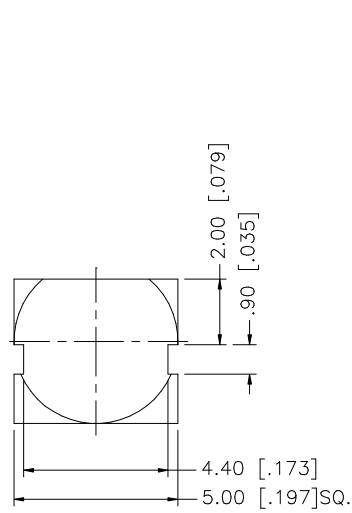


REV.	DATE	DESCRIPTION
A	03/12/03	UPDATE DRAWING FORMAT



NOTE:

- CONTACT PIN TO SOLDER

DESCRIPTION	MATERIAL	FINISH	QTY	DO NOT SCALE DRAWING	APPROVALS	DATE	<h1 style="text-align: center;">Amphenol Connex</h1>							
8					DRAWN	G.R.S.	03/12/03	PART DESCRIPTION MCX R/A DIRECT SOLDER PLUG (FOR .085", .086" CABLE)						
7					CHECKED									
6	COVER	BRASS	GOLD	1	ISSUED			PART NO. 252109-75						
5	INSULATOR	DELTRIN	NATURAL	1	SHEET	1 OF 1								
4	CONTACT PIN	BRASS	GOLD	1	CAD FILE	C:/252/252109-75.DWG	DWG. NO.	252109-75.DWG	REV.	A	SIZE	A	SCALE	NA
3	INSULATOR	TEFLON	NATURAL	1	<small>UNLESS OTHERWISE SPECIFIED DIMENSIONS ARE IN MILLIMETERS. DIMENSIONS IN [] ARE IN INCHES AND FOR CUSTOMER REFERENCE ONLY.</small> <small>UNLESS OTHERWISE SPECIFIED TOLERANCES FOR MILLIMETERS ARE:</small> 0.5 - 8mm ± 0.20mm 8 - 30mm ± 0.40mm 30 - 120mm ± 0.50mm <small>UNLESS OTHERWISE SPECIFIED TOLERANCES FOR INCHES ARE:</small> .020 - .315 = ± 0.007" .315 - 1.180 = ± 0.015" 1.180 - 4.724 = ± 0.020"									
2	BODY	BER. COPPER	GOLD	1										
1	HOUSING	BRASS	GOLD	1										