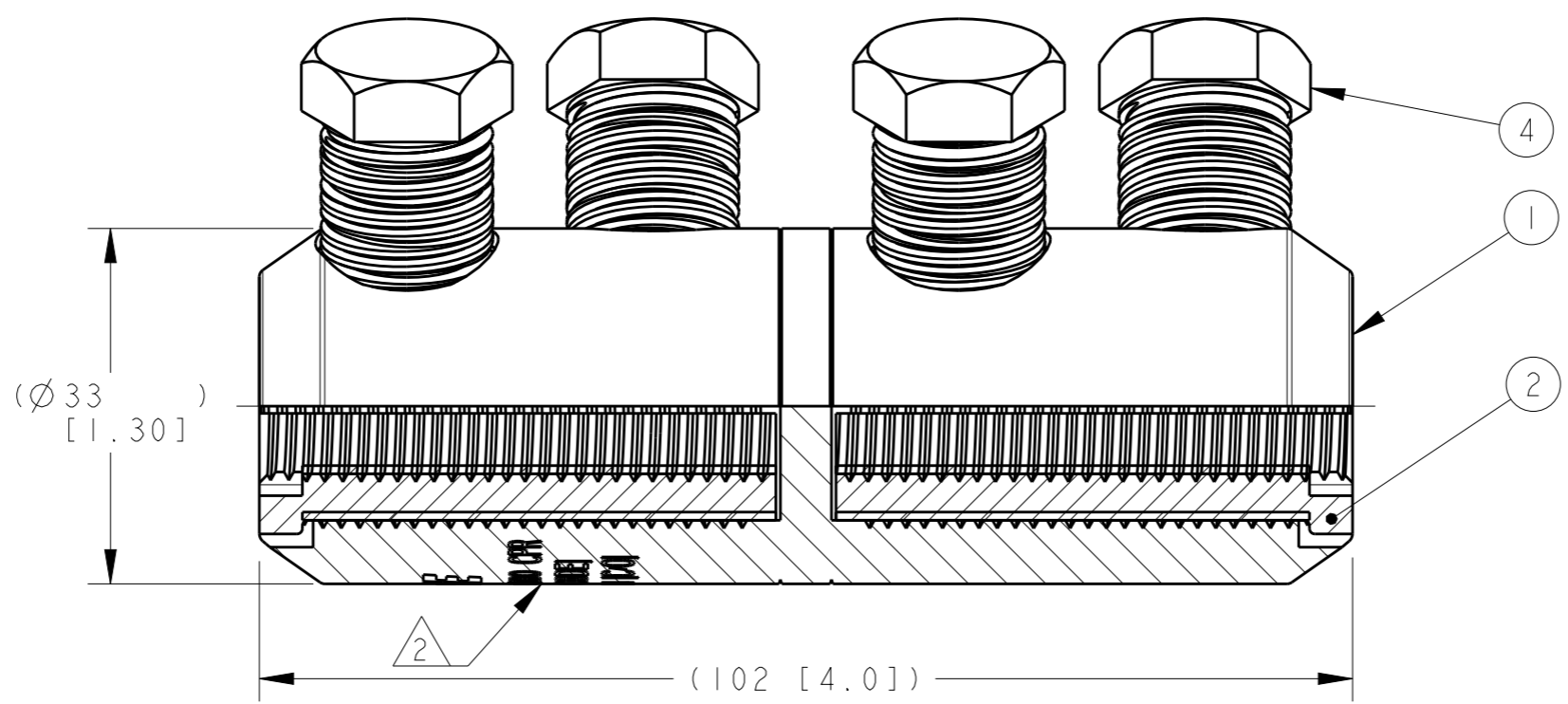
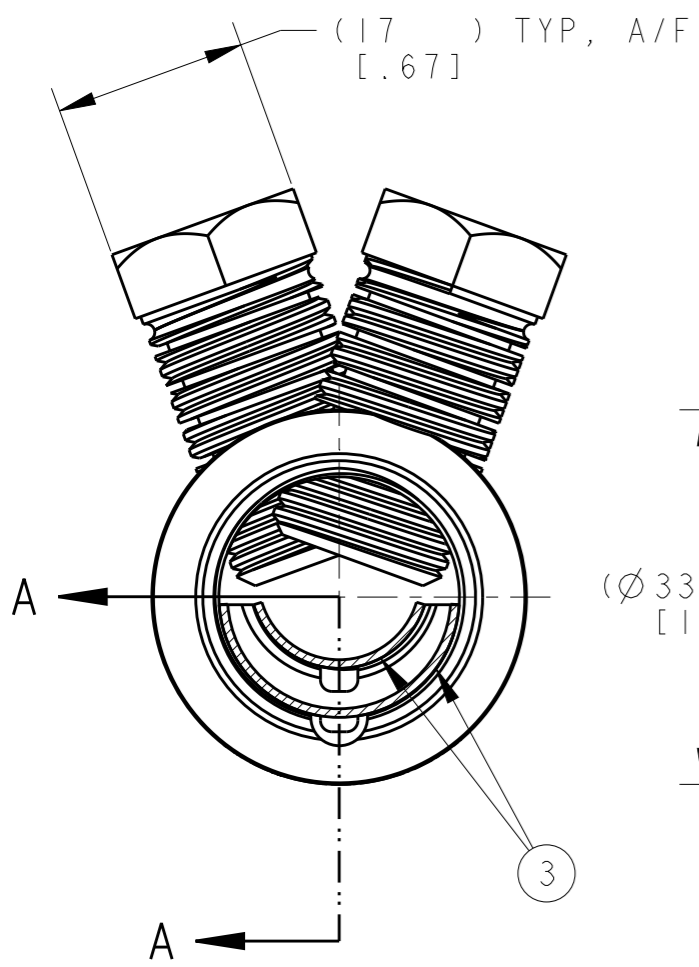


THIS DRAWING IS UNPUBLISHED. RELEASED FOR PUBLICATION 20
 © COPYRIGHT 20 BY - ALL RIGHTS RESERVED.

REVISIONS

P	LTR	DESCRIPTION	DATE	DWN	APVD
A		INITIAL REL. PER LC20-0168-10	04OCT2010	DM	AB
B		LC20-0020-11 / ECO-11-002345	28JAN2011	DM	BJ
C		LC20-0089-13 / ECO-13-013841	27AUG2013	DM	BJ



CSBS-2/0-500-CPR	1974127-1
CATALOG NO.	PART NO.

SECTION A-A

1. ACCOMMODATES:
 2/0 AWG COMPACT STR (Ø9.55 [.376 DIA])
 TO 500 KCMIL COMPRESSED STR
 (Ø20.04 [.789 DIA])
 COPPER CONDUCTORS.

2. MARKINGS:

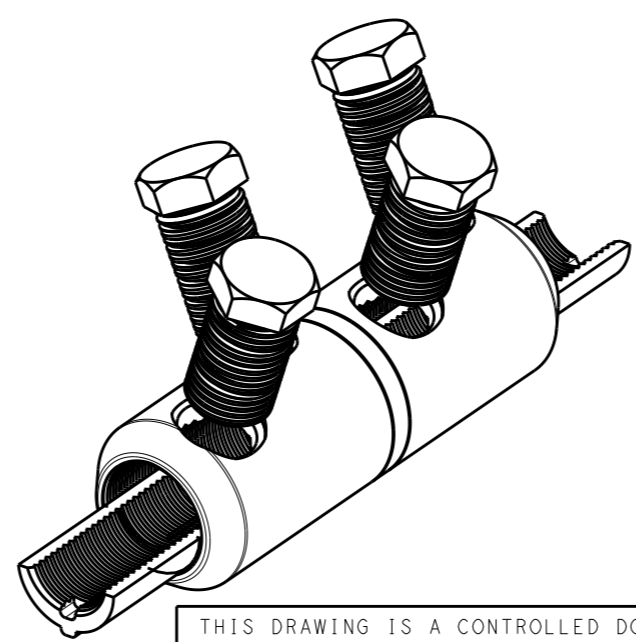


CSBS-2/0-500-CPR
 [DATE CODE]
 MADE IN [COUNTRY OF ORIGIN]

3. INSERT SHALL BE REMOVED FOR
 CONDUCTOR SIZES LARGER THAN
 AND EQUAL TO 350 KCMIL CPR
 (Ø16.79 [.661 DIA]).

4. ALL DIMENSIONS ARE FOR
 REFERENCE ONLY.

5. INSTALL BOLTS WITH 11/16 INCH HEX.
 SOCKET.



QTY	DESCRIPTION	ITEM NO
1	INSTALLATION INSTRUCTION SHEET, 408-10327	6
1	ABRASIVE TAPE	5
4	MULTI-SHEAR BOLT, BRASS, M16, 17 mm A/F	4
A/R	CONTACT GREASE, NEUTRAL	3
2	INSERT, COPPER, 2/0 AWG - 500 KCMIL CPR	2
1	CONNECTOR SLEEVE BODY, COPPER, 2/0 AWG - 500 KCMIL CPR	1

THIS DRAWING IS A CONTROLLED DOCUMENT.

DIMENSIONS: mm [INCH]	TOLERANCES UNLESS OTHERWISE SPECIFIED:
	0 PLC ±-
	1 PLC ±0.1
	2 PLC ±0.02
	3 PLC ±0.005
	4 PLC ±0.0005
	ANGLES ±-
MATERIAL SEE TABLE	FINISH NONE

DWN D. MURUGIAH 04OCT2010
CHK A. MARC 21OCT2010
APVD A. BULZA 21OCT2010
PRODUCT SPEC -
APPLICATION SPEC -
WEIGHT -
Customer Drawing

STE TE Connectivity			
NAME SHEARBOLT CONNECTOR, COPPER, 2/0 AWG COMPACT STR TO 500 KCMIL COMPRESSED STR			
SIZE A3	CAGE CODE -	DRAWING NO C-1974127	RESTRICTED TO -
SCALE NTS	SHEET 1	OF 1	REV C