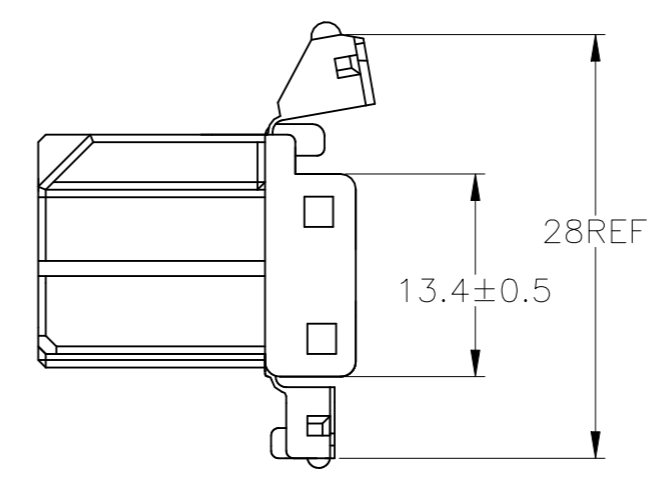
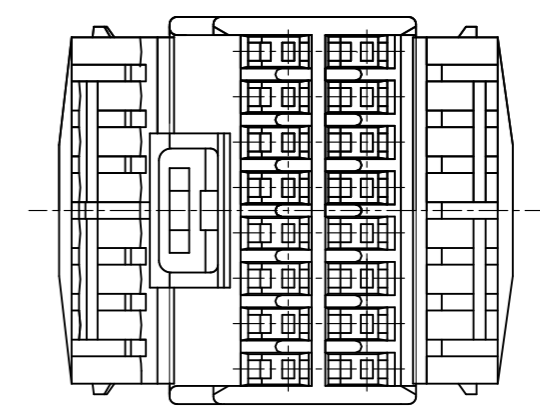
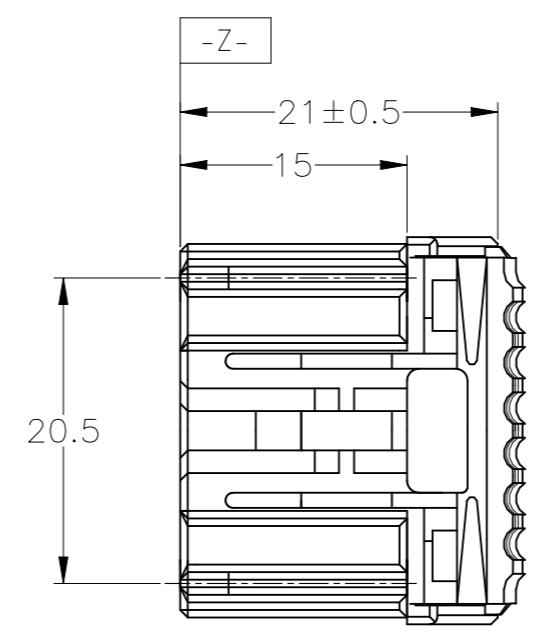
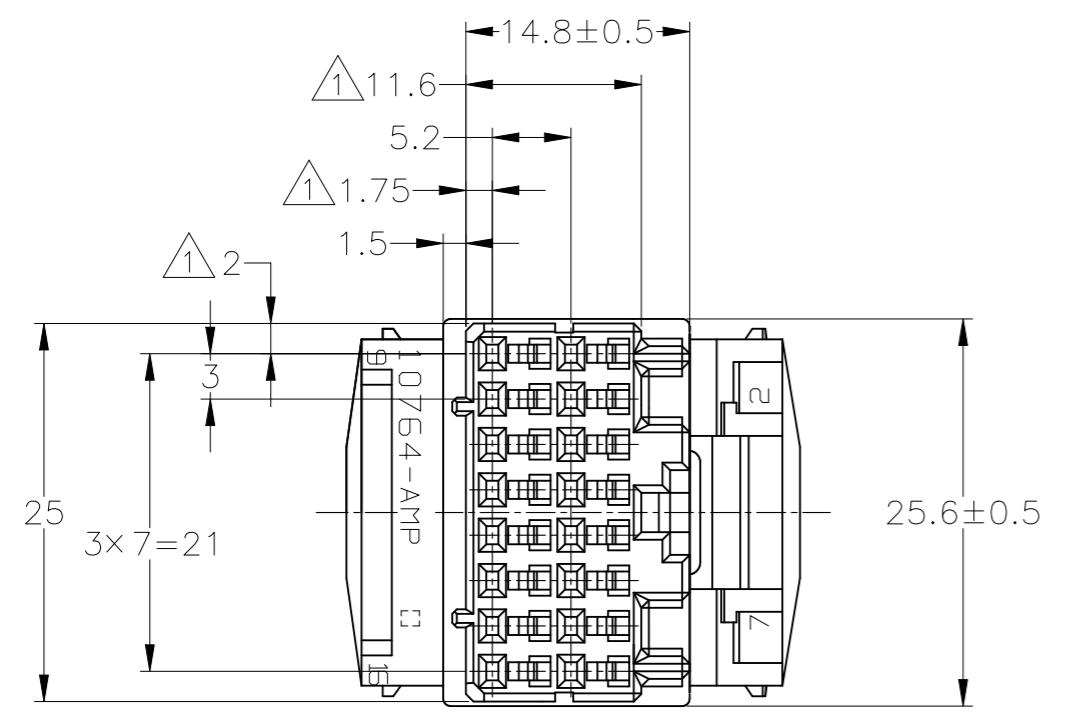


© - TE Connectivity. All Rights Reserved.

REVISIONS					
P	LTR	DESCRIPTION	DATE	DWN	APVD
	C3	REVISED PER ECR-22-153250	04NOV2022	RK	MT



- ① MUST BE KEPT BETWEEN [-Z-] AND 2mm
 - 2. THE MATING CAP HOUSING PART NUMBER ; 174518
 - 3. APPLIED CONTACT PART NUMBER ; 173716, 175094
 - 4. APPLICABLE PRODUCT SPEC NO. 108-5280
- ① [-Z-] 面より 2mm の範囲で測定。
 - 2. 嵌合相手ハウジング型番 ; 174518
 - 3. 内装するリセプタクルコンタクト型番 ; 173716, 175094
 - 4. 適用製品規格番号 ; 108-5280

	黄 YELLOW	174514-7
OBSOLETE	淡灰 LIGHT GRAY	6-174514-6
	灰 GRAY	174514-6
	白 WHITE	174514-1
	色 COLOR	PART NUMBER

TOLERANCE UNLESS OTHERWISE SPECIFIED: 一般公差	
0 < x ≤ 10	: ±0.2
10 < x ≤ 30	: ±0.25
30 < x ≤ 100	: ±0.3
ANGLE ; 角度	: ±3°

THIS DRAWING IS A CONTROLLED DOCUMENT.		DWN T.SHINOHARA 07SEP10		STE TE Connectivity	
DIMENSIONS: mm		CHK K.BETSUI 07SEP10			
TOLERANCES UNLESS OTHERWISE SPECIFIED:		APVD K.BETSUI 07SEP10		NAME	
0 PLC ± -		PRODUCT SPEC		HYBRID I/O CONNECTOR	
1 PLC ± -		SEE NOTE 4		16 POSITION PLUG HOUSING	
2 PLC ± -		APPLICATION SPEC		SIZE CAGE CODE DRAWING NO RESTRICTED TO	
3 PLC ± -		-		A3 00779 C-174514	
4 PLC ± -		WEIGHT -		SCALE 2:1 SHEET 1 OF 1 REV C3	
ANGLES ± -		CUSTOMER DRAWING			
FINISH -					
MATERIAL PBT					