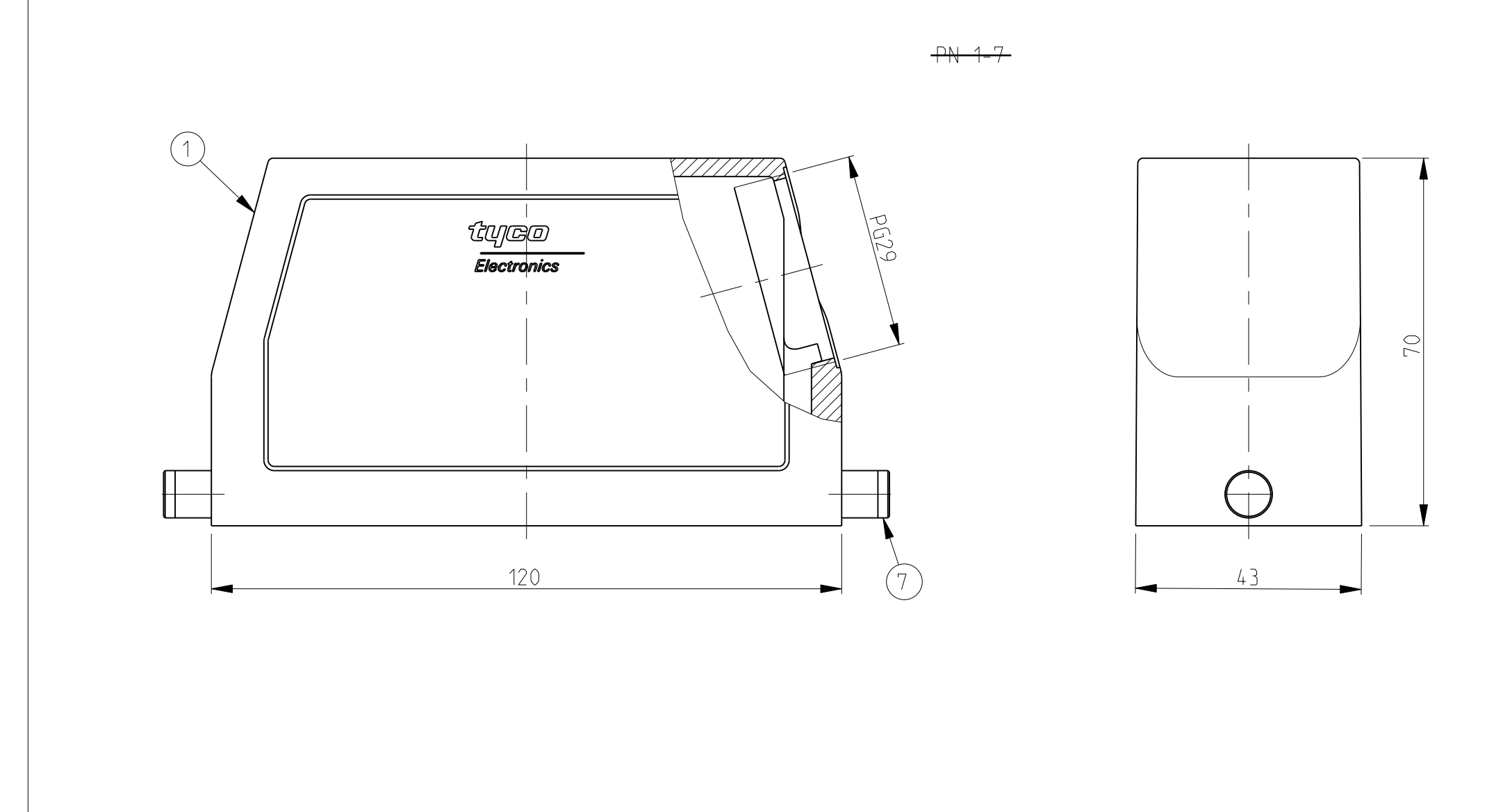
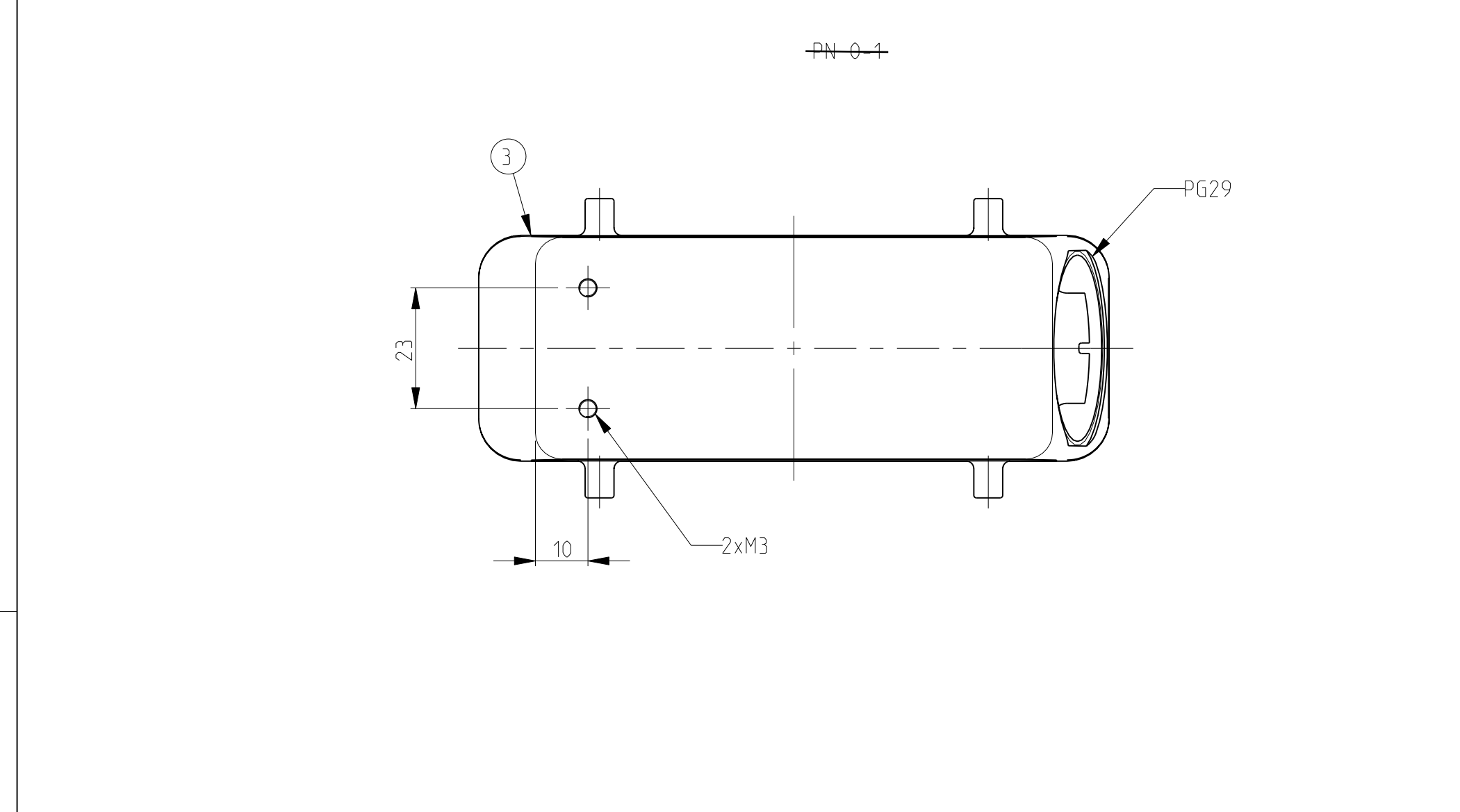
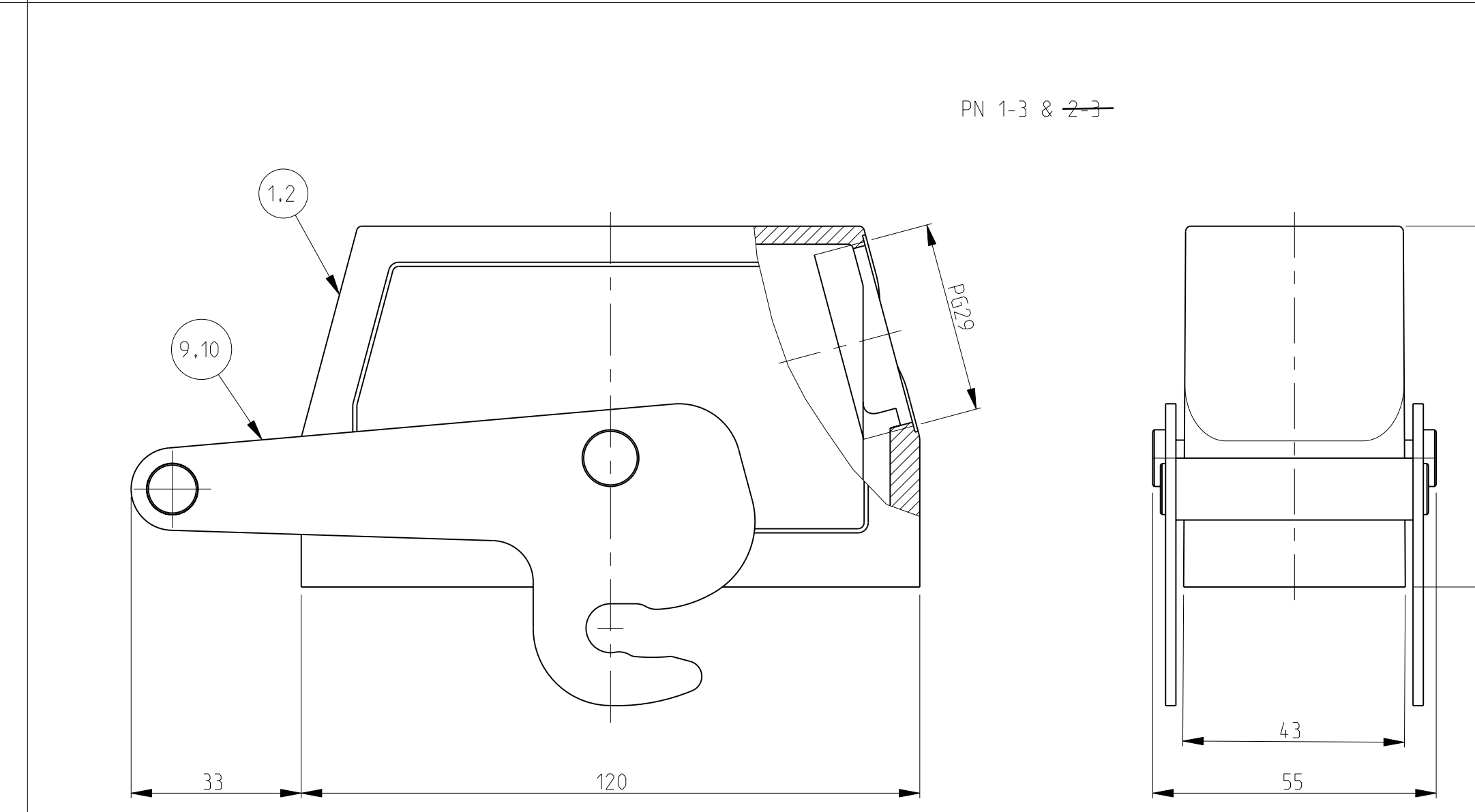
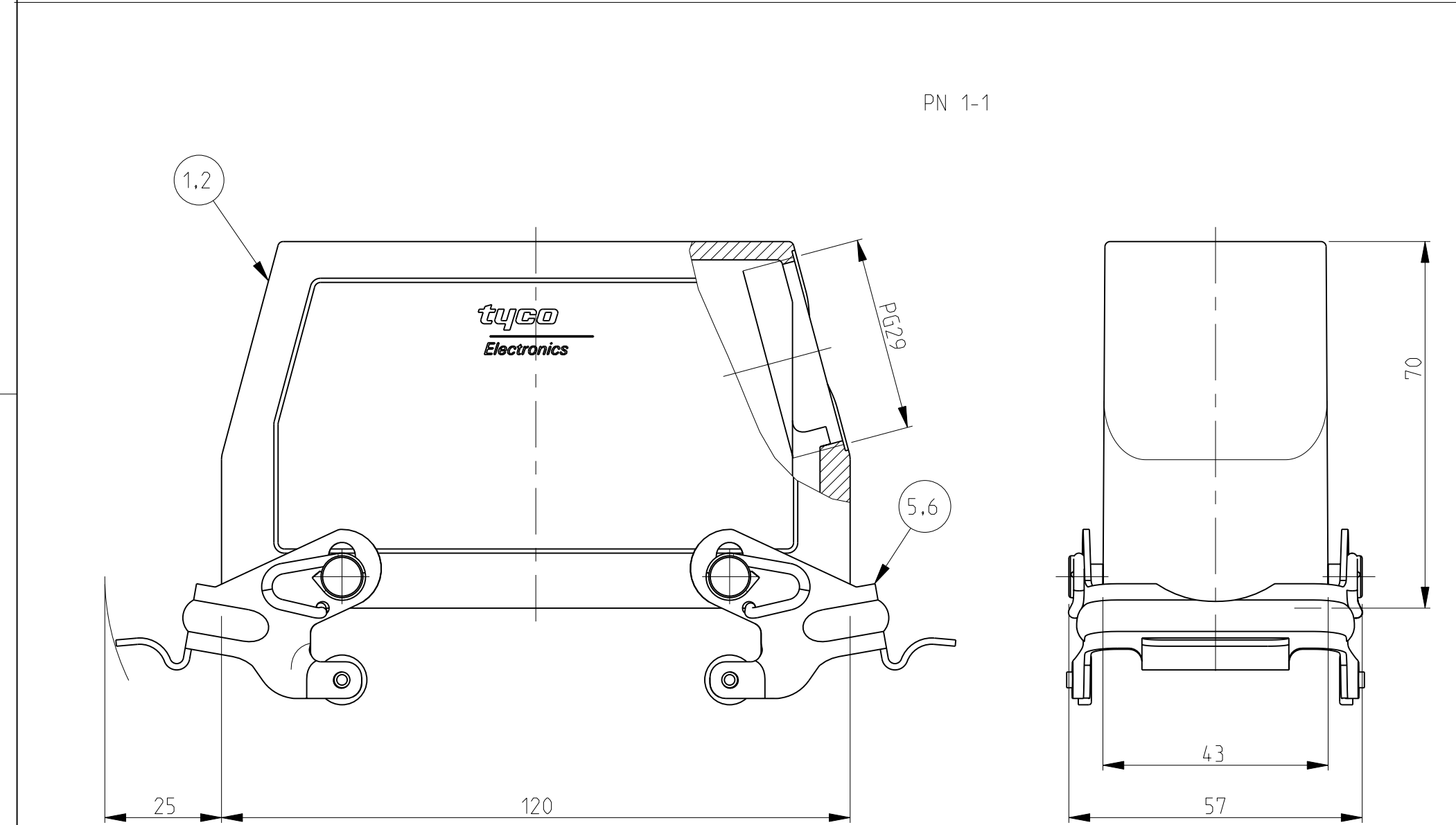
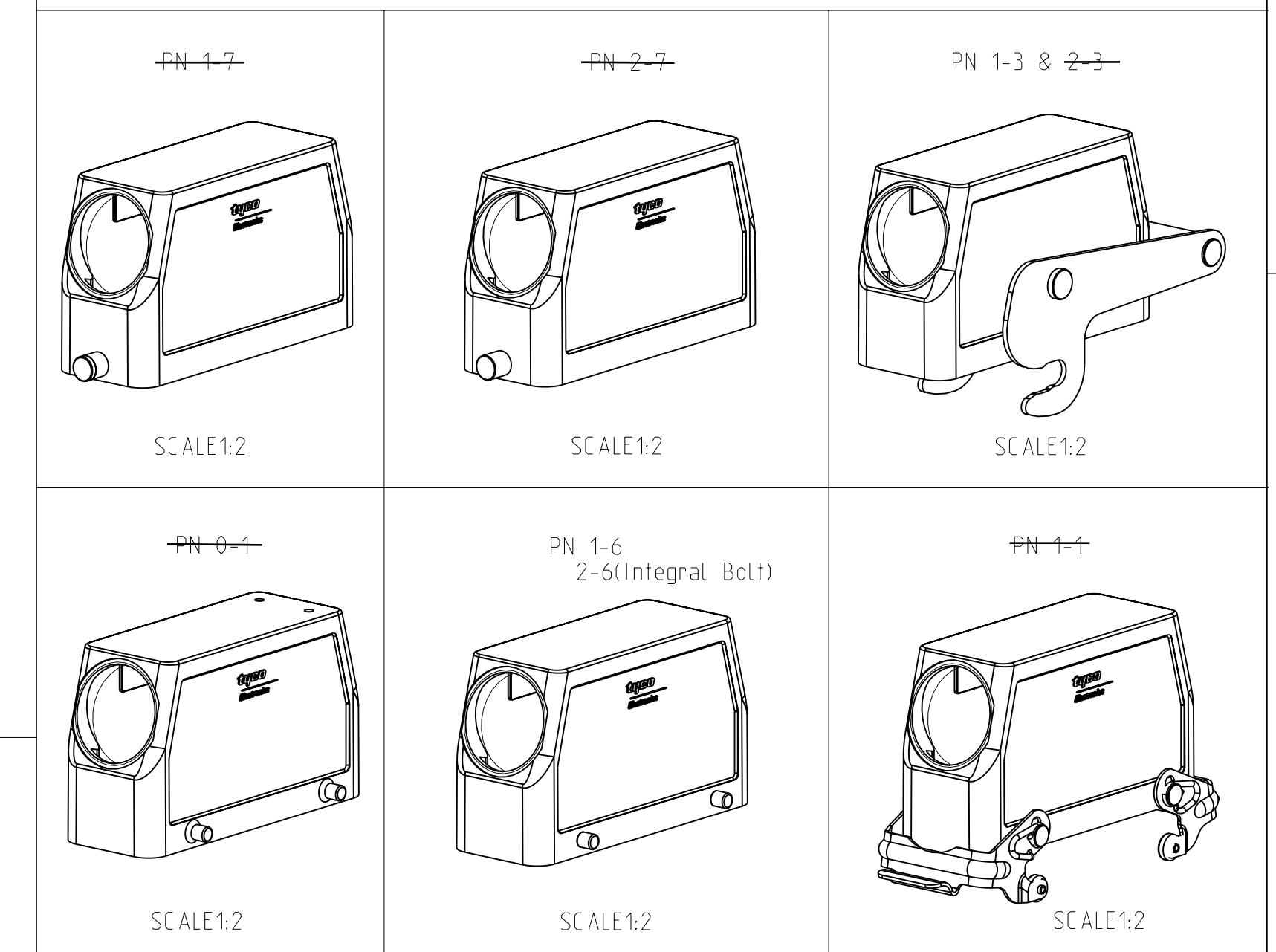
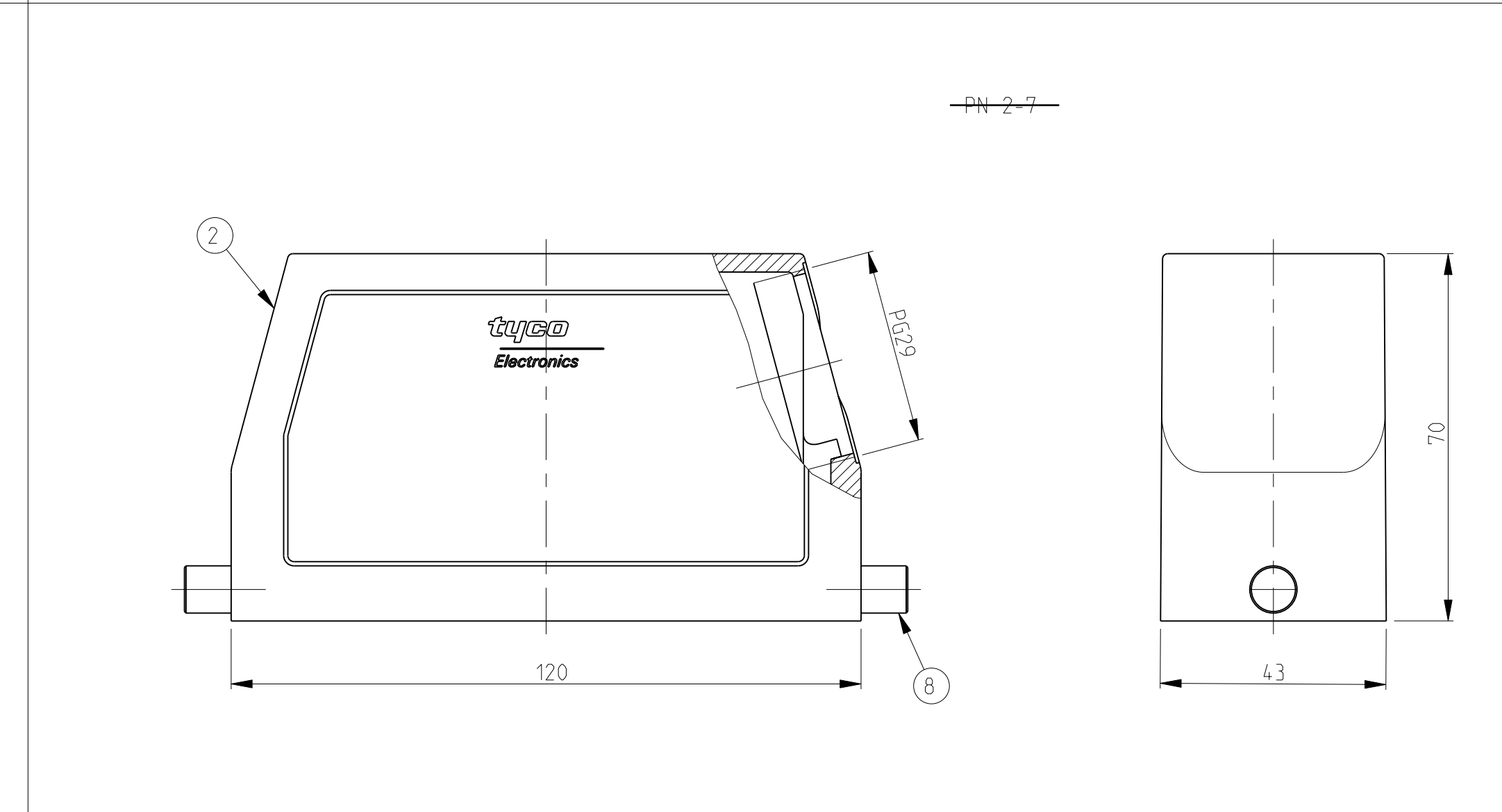
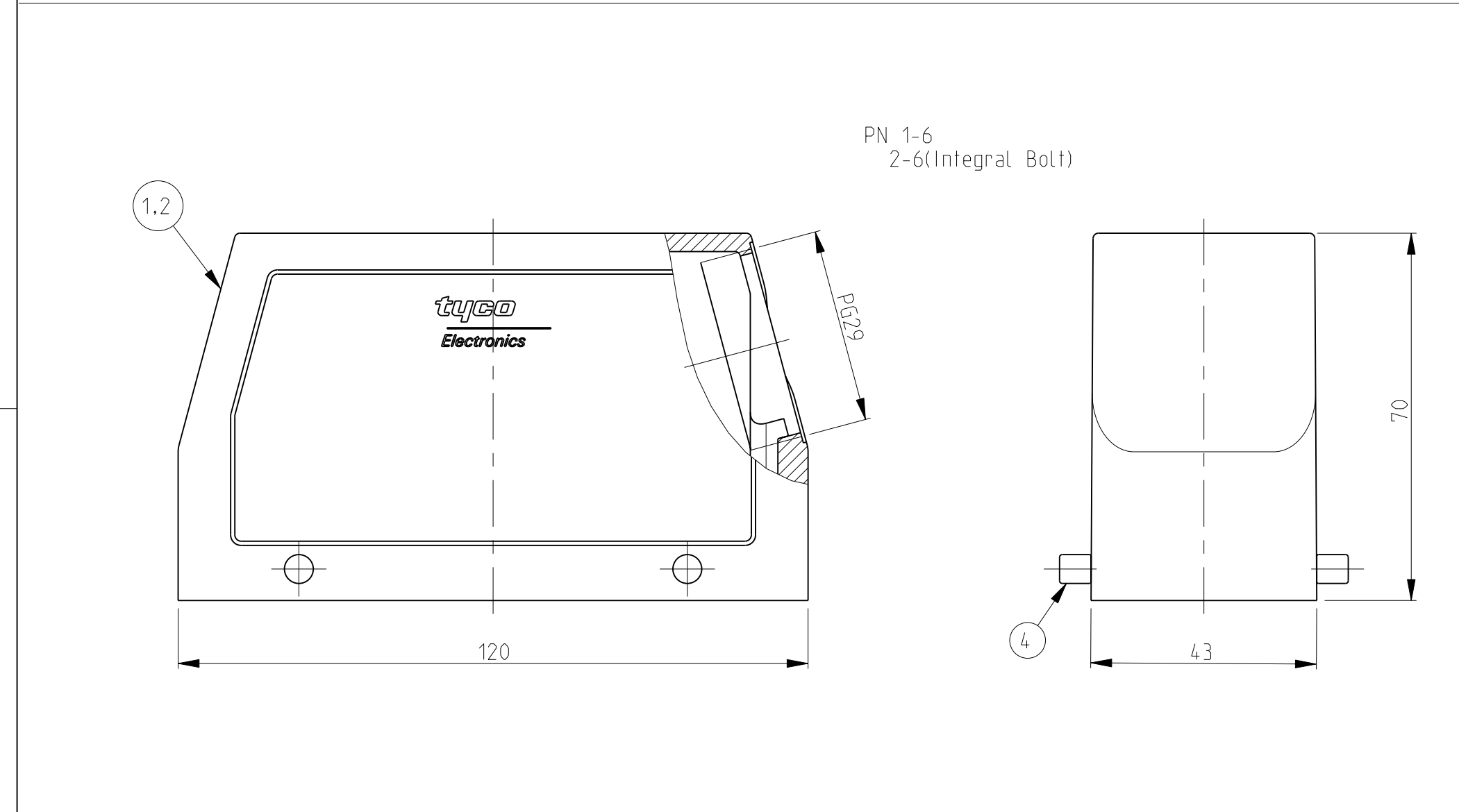


LOC	DIST	REV	DESCRIPTION	DATE	DWN	APVD
A1	-	A2	Released as per ECR-07-019955	22.08.07	SK	TS
		A3	REVISED PER ECR-16-016768	24JAN18	SRG	MKO
		A4	ECR-17-013084	29MAR18	SG	MKO



- NOTES.
- Material:Housing:Aluminium Diecasting Alloy
 - Surface: Powder varnish grey
- Aluminium oxide+
Varnish black
 - Varnish on the inside not necessary
 - Packaging
Quantity 5 Pieces in a box

⚠️ **OBSOLETE**



QTY	DESCRIPTION	MATERIAL	SURFACE	COLOR	ITEM NO	REMARKS
1	ZB-Central clip	Stainless Steel	Blank	-	10	
1	ZB-Central clip	Steel	Zinc Plated	Blue	9	
1	LB-Clip bolt	Stainless Steel	Blank	-	8	
1	LB-Clip bolt	Steel	Zinc Plated	Blue	7	
1	VS-Side clip	Stainless Steel	Blank	-	6	
1	VS-Side clip	Steel	Zinc Plated	Blue	5	
1	VS-Clip bolt	Stainless Steel	Blank	-	4	
1	HB Hood	Aluminium	-	Grey	3	Name plate
1	HB-K Hood	Aluminium	Aluminium Oxide	Black	2	
1	HB Hood	Aluminium	-	Grey	1	

ORDERING TEXT
 HB-24.STS-1.29.G
 HB-K.24.STS-1.29.G
 HB-24.STS-1.29.G
 HB-24.STS-VS-1.29.G
 HB-K.24.STS-VS-1.29.G
 HB-24.STS-GR-1.29.G
 HB-K.24.STS-GR-1.29.G
 HB-Z.24.STS-ZB-1.29.G
 HB-K/Z.24.STS-ZB-1.29.G

DIMENSIONS: mm 		TOLERANCES UNLESS OTHERWISE SPECIFIED: 0 DIM. UNLESS NOTED 1 PLC ± 2 PLC ± 3 PLC ± 4 PLC ± ANGLES ±		DWN: Schneider 28.01.2003 CHK: Schneider 28.01.2003 APVD: Schneider		TE Connectivity	
MATERIAL:		FINISH:		PRODUCT SPEC: 108-74001 108-74003		NAME: Hood HB 24.STS-1.29.G	
APPLICATION SPEC: 114-74001 114-74004		WEIGHT:		SIZE: CAGE CODE: DRAWING NO: A100779 C=1102319		RESTRICTED TO:	
CUSTOMER DRAWING				SCALE: 1:1		SHEET: 1 OF 1 REV: A4	