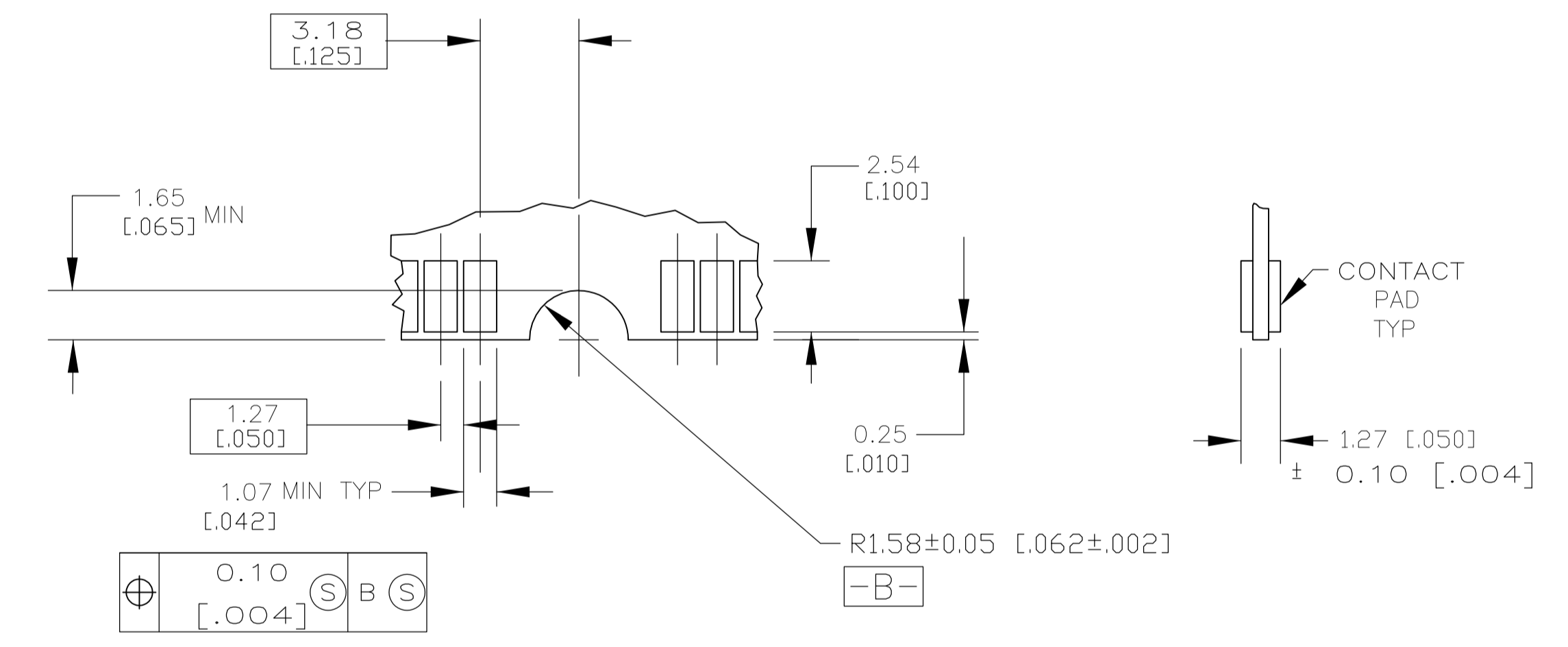
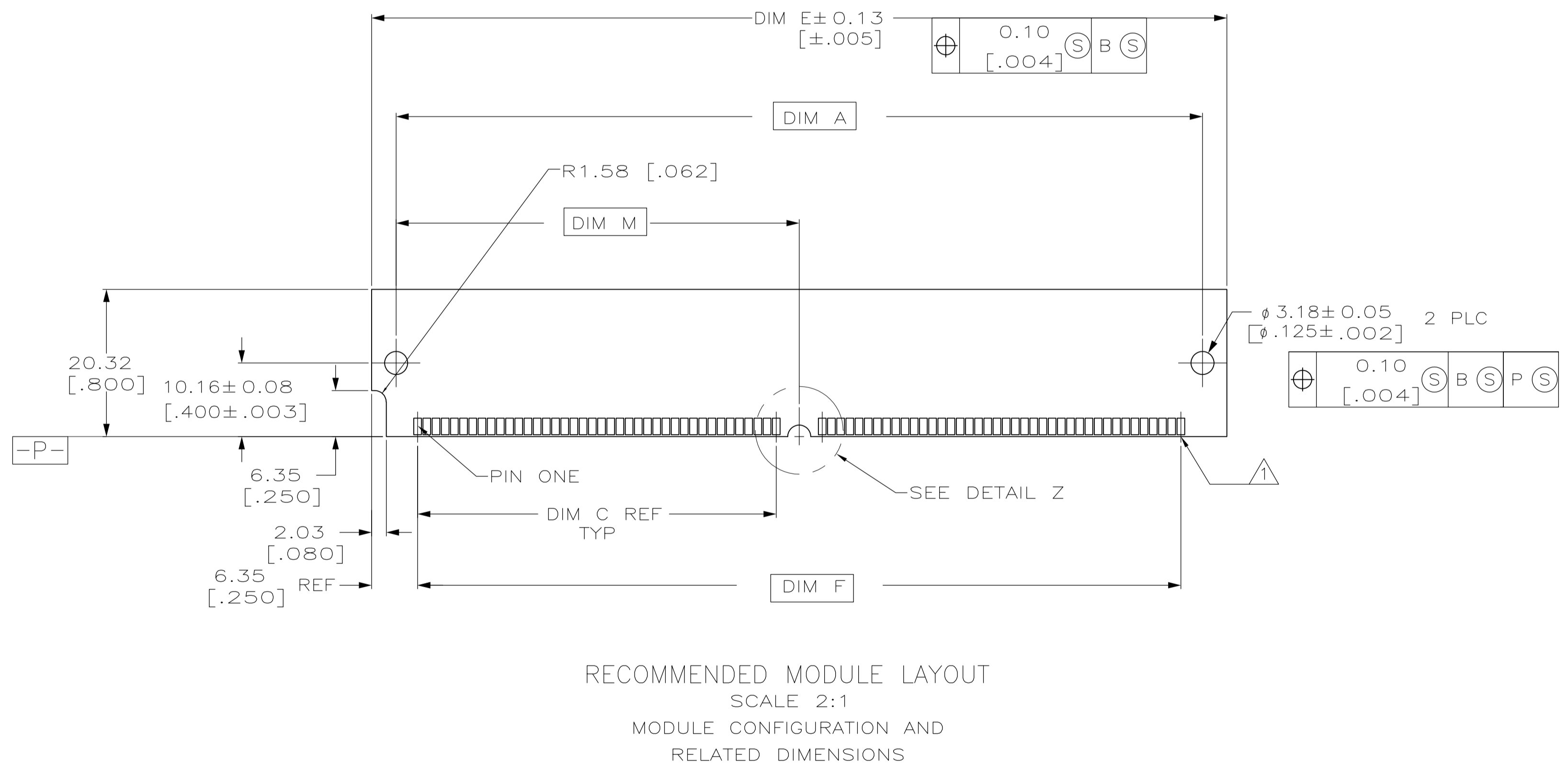
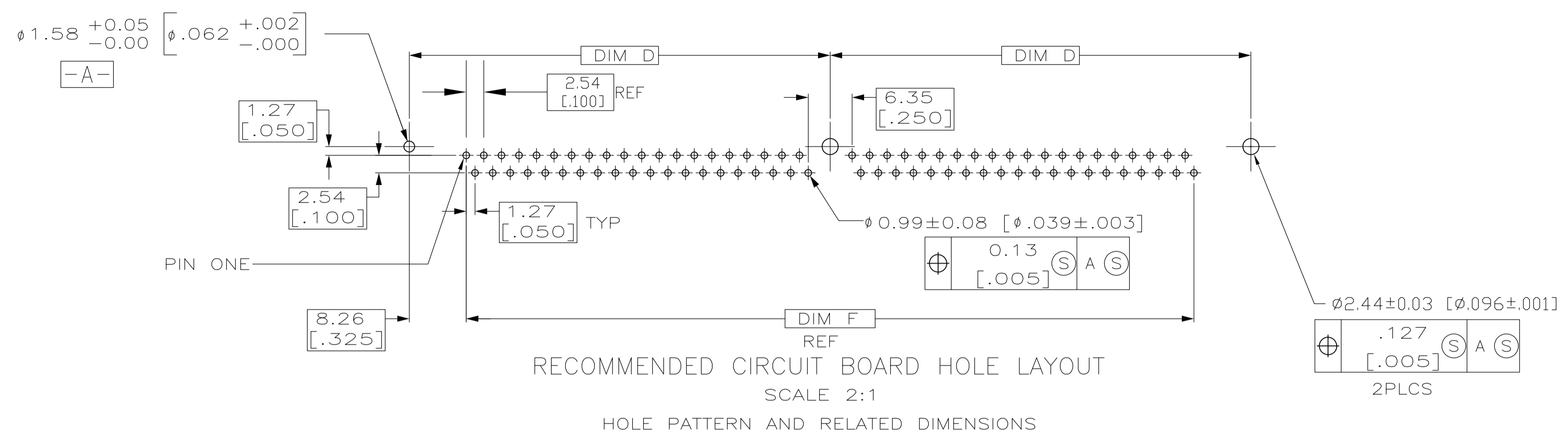


THIS DRAWING IS A CONTROLLED DOCUMENT.		DIN	WENKE HE	29MAR05	 TE Connectivity
DIMENSIONS: INCHES		CHK	STEVEN YAO	29MAR05	
TOLERANCES UNLESS OTHERWISE SPECIFIED:		APVD	RENOMOTO	29MAR05	NAME
0. PLC	± -	PRODUCT SPEC		SIMM II RTANG 1.27[.050]	
1. PLC	± -	APPLICATION SPEC		1.27 [.500] CL ASSY.,	
2. PLC	± -	SIZE	CAGE CODE	DRAWING NO	RESTRICTED TO
3. PLC	± .127(.005)	A1	00779	5382486	-
4. PLC	± -	WEIGHT	CUSTOMER DRAWING		SCALE
ANGLES	± -	SCALE		4:1	SHEET
		SCALE		4:1	1 OF 2
		SCALE		4:1	REV



55.68 [2.192]	121.92 [4.800]	105.41 [4.150]	118.11 [4.650]	60.96 [2.400]	49.53 [1.950]	125.73 [4.950]	111.35 [4.384]	80	8-5382486-0
50.60 [1.992]	111.76 [4.400]	95.25 [3.750]	107.95 [4.250]	55.88 [2.200]	44.45 [1.750]	115.57 [4.550]	101.19 [3.984]	72	7-5382486-2
DIM M	DIM J	DIM F	DIM E	DIM D	DIM C	DIM B	DIM A	POSN	PART NO.

THIS DRAWING IS A CONTROLLED DOCUMENT.		DIN WENKE HE 29MAR05	STE TE Connectivity
DIMENSIONS: INCHES		CHK STEVEN YAO 29MAR05	
TOLERANCES UNLESS OTHERWISE SPECIFIED:		APVD IENOMOTO 29MAR05	NAME SIMM II, RTANG, 1.27 [.050] CL ASSY., 6.35 [.250] HGT
0 PLC ± -		PRODUCT SPEC	SIZE A1
1 PLC ± -		APPLICATION SPEC	CAGE CODE 5382486
2 PLC ± -		WEIGHT	SCALE 4:1
3 PLC ± 0.13 [.005]		RESTRICTED TO	SHEET 2 OF 2
4 PLC ± -		CUSTOMER DRAWING	REV P
ANGLES ± ±			
MATERIAL			
FINISH			