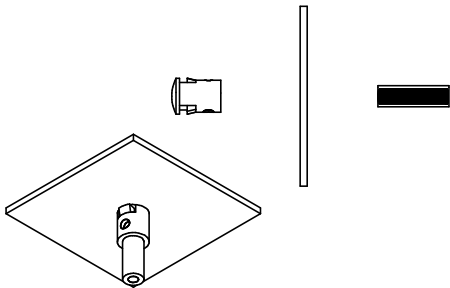
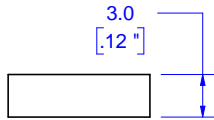


© COPYRIGHT 2010 BY INDUSTRIAL FIBER OPTICS, INC.  
ALL RIGHTS RESERVED.

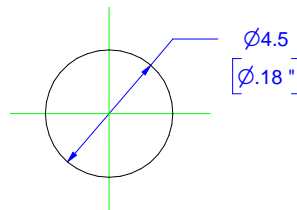
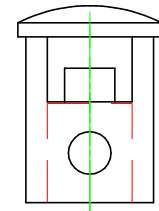
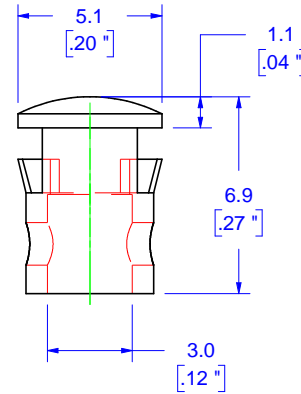
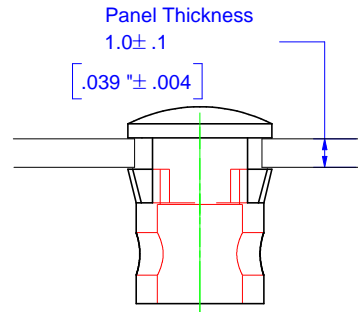
**LIGHT PIPE PREPARATION/INSTALLATION:**



**NOTES:**

1. ROHS COMPLIANT
2. UL 94V-2 FLAMMABILITY RATING
3. -40°C TO 85°C OPERATING TEMPERATURE
4. SUITABLE FOR LIGHT PIPE WITH Ø3.0mm JACKET AND OPTICAL CORE NO GREATER THAN Ø2.0mm

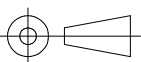
REVISIONS					
REV	DESCRIPTION	ECO	DATE	DWN	APVD
A	Initial release		11/12/2008	BB	RD
B	Redrew, fixed diameter of mounting hole	0065	2/9/2010	BB	AR



MOUNTING HOLE

PART IS MADE OF TRANSPARENT POLYCARBONATE.

UNLESS OTHERWISE SPECIFIED DIMENSIONS MILLIMETERS [IN.]	PRODUCT	Light Pipe	<b>INDUSTRIAL FIBER OPTICS</b> TEMPE, AZ 85281		
	MATERIAL	Polycarbonate			
TOLERANCES 0 PLC: ±1 1 PLC: ±.25 2 PLC: ±.127 3 PLC: ±.025 4 PLC: ±.013 ANGLE: ±1/2°  SURFACE TEXTURE: 3.2 ✓	FINISH		NAME		
	DRAWN BY	B. Bidwell	<b>Lens, Light Pipe to Panel</b>		
	DATE	2/9/2010			
	CHECKED BY	A. Reyes	SIZE	SCALE	PART NUMBER
DATE	2/11/2010	A	4:1	51 0380	B
REMOVE BURRS AND SHARP EDGES FLATNESS .005mm PER mm ALL DIMENSIONS AFTER FINISH	DO NOT SCALE DRAWING		Sheet 1 of 1		



**METRIC**