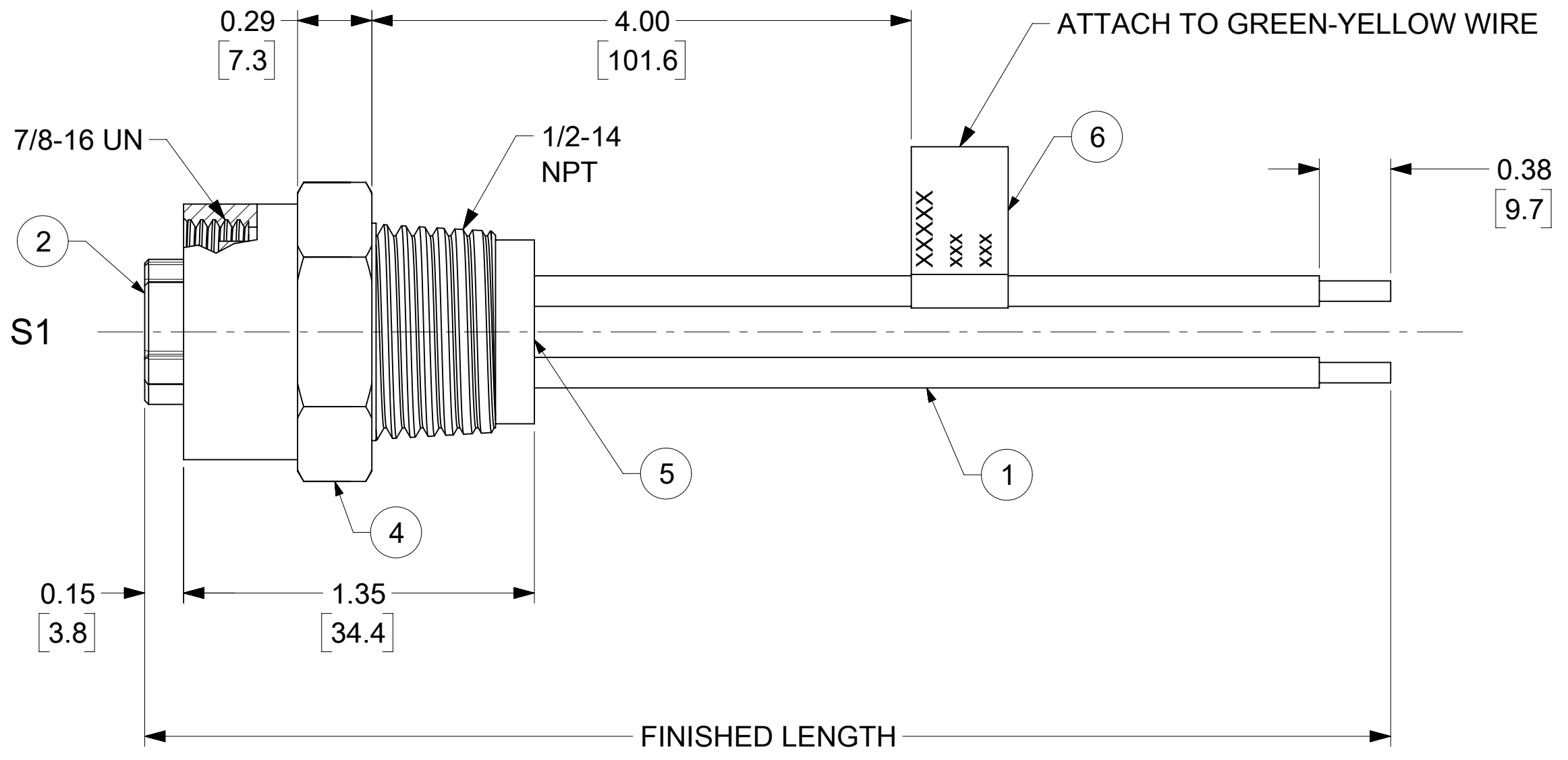
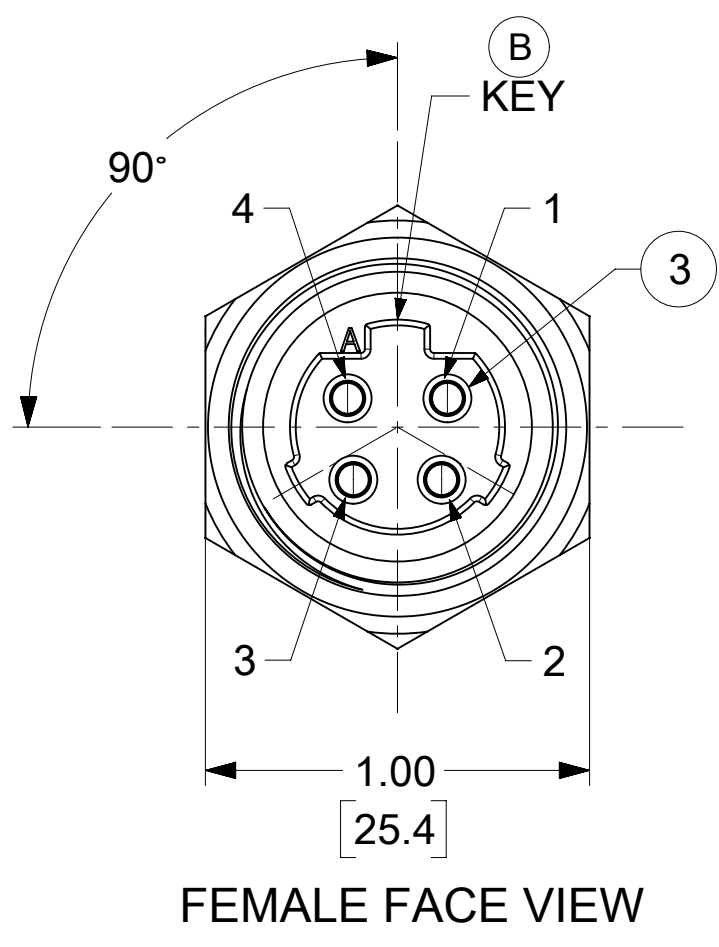
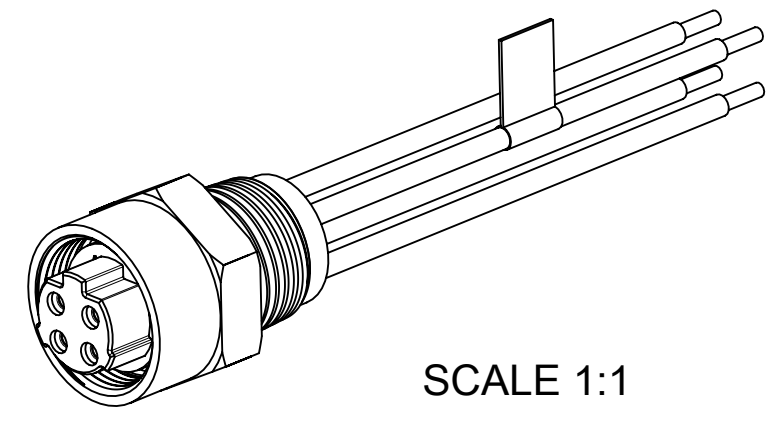


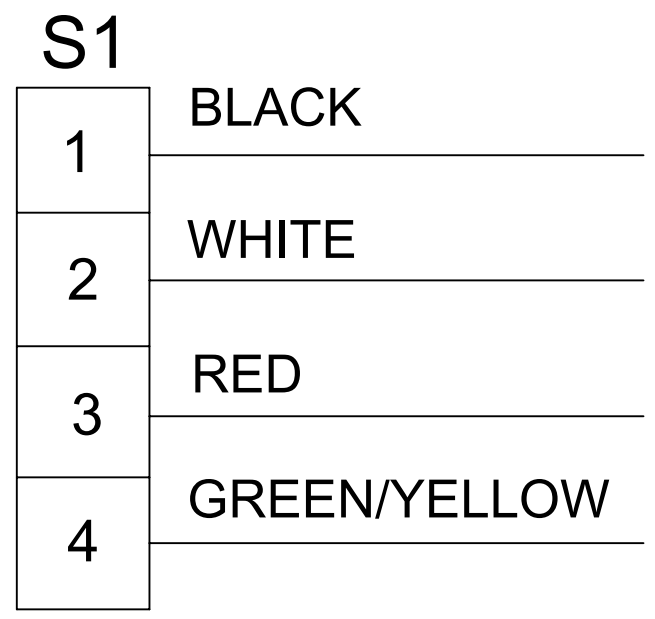
MATERIAL NO.	ENGINEERING NO.	FINISHED LENGTH
1300660285	1R4100A28M005G	0.5M (1 FT 7.67 IN)
1300660286	1R4100A28M010G	1M (3 FT 3.37 IN)
1300660318	1R4100A28M020G	2M (6 FT 6.74 IN)

CABLE LENGTH TOLERANCES
 <.3M [1FT]: +19mm-0 [+ .75in-0]
 .3 - .9M [1 - 3FT]: +44.5mm-0 [+1.75in-0]
 .9 - 1.8M [3 - 6FT]: +55.6mm-0 [+2.19in-0]
 1.8 - 3.7M [6 - 12FT]: +88.9mm-0 [+3.50in-0]
 3.7 - 7.3M [12 - 24FT]: +165.1mm-0 [+6.50in-0]
 7.3-14.6M [24 - 48FT]: +317.5mm-0 [+12.50in-0]
 14.6 - 30.5M [48-100FT]: +622.3mm-0 [+24.50in-0]
 OVER 30M [100FT] +2% OF FINISHED LENGTH



- NOTES:**
- MATERIAL: AS NOTED
 - FINISH: AS NOTED
 - ELECTRICAL:
 VOLTAGE: 483V PER IEC60664
 600V PER UL2237
 CURRENT: 15A
 - TEMP RATING: -20°C TO +90°C
 - PROTECTION: IP67 (WHEN MATED)
 - UL LISTED FILE: E258922
 - ASSEMBLY IS ROHS COMPLIANT
 - ALL DIMS ARE FOR REFERENCE UNLESS TOLERANCED OR NOTED OTHERWISE

WIRING DIAGRAM



PART NUMBER LEGEND

1R4100A28M010G

INSERT COLOR
G-BLACK

FINISHED LENGTH
M005 = 0.5 METER
M010 = 1 METERS
M100 = 10 METERS

ITEM	DESCRIPTION	MATERIAL	FINISH
6	FLAG LABEL	VINYL	BLACK/YELLOW
5	POTTING MATERIAL	EPOXY	BLACK
4	RECEPTACLE SHELL	ZINC DIE CAST	NICKEL PLATED
3	SOCKET CONTACT	Cu ALLOY	GOLD OVER NICKEL
2	FEMALE INSERT	TPE	BLACK
1	WIRE, 14 AWG, THHN	PVC	SEE WIRE DIAGRAM

FUNCTIONAL SYMBOLS	THIS DRAWING CONTAINS INFORMATION THAT IS PROPRIETARY TO MOLEX ELECTRONIC TECHNOLOGIES, LLC AND SHOULD NOT BE USED WITHOUT WRITTEN PERMISSION			
	DIMENSION UNITS	SCALE	CURRENT REV DESC: UPDATED ITEM 2 WAS PVC, 6 WAS MYLAR, VOLTAGE, UL, PN LEGEND TOLERANCE & MATERIAL TABLE	
	INCH/MM	2:1		
	GENERAL TOLERANCES (UNLESS SPECIFIED)			
DIVISIONAL SYMBOLS	4 PLACES	±	MM	INCH
	3 PLACES	±		
	2 PLACES	±		
	1 PLACE	±		
0 PLACES	±			
ANGULAR TOL		± °		
DRAFT WHERE APPLICABLE MUST REMAIN WITHIN DIMENSIONS		THIRD ANGLE PROJECTION	DRAWING	SERIES
			C-SIZE	130066

EC NO: 704134			
DRWN: VHANDI	2021/07/02		
CHK'D: RSTONE	2022/04/27		
APPR: BWOODMAN	2022/05/04		
INITIAL REVISION:			
DRWN: GGUSTAFSON	2014/11/24		
APPR: BWOODMAN	2014/12/02		
DOCUMENT NUMBER		DOC TYPE	DOC PART
SD-130066-070		PSD	001
MATERIAL NUMBER		CUSTOMER	SHEET NUMBER
SEE TABLE		GENERAL MARKET	1 OF 1

molex

BRAD POWER RECEPTACLE, A SIZE
4 POLE, FEMALE, STRAIGHT, TRI-KEY, 14 AWG

PRODUCT CUSTOMER DRAWING