

Customer Information Sheet

IF IN DOUBT - ASK

©

NOT TO SCALE

THIRD ANGLE PROJECTION

ALL DIMENSIONS IN mm

NOTES:

1. QUANTITY OF COMPONENTS PER REEL = 800.
2. TAPE MUST HAVE A MINIMUM OF 400mm LEADER AND A MINIMUM OF 160mm TRAILER.
3. THIS PRODUCT IS TAPED AND REELED IN GENERAL ACCORDANCE WITH EIA-481-2 (ELECTRONICS INDUSTRIES ASSOCIATION).
4. RECOMMENDED MINIMUM PIN SIZE IS $\phi 1.10$ OR 1.10 SQUARE. RECOMMENDED MAXIMUM PIN SIZE IS $\phi 1.80$ OR 1.40 SQUARE. MATING PIN SHOULD HAVE 30° LEAD IN CHAMFER WITH MAXIMUM STARTING DIAMETER OF $\phi 1.10$.

COMPONENT SPECIFICATION:

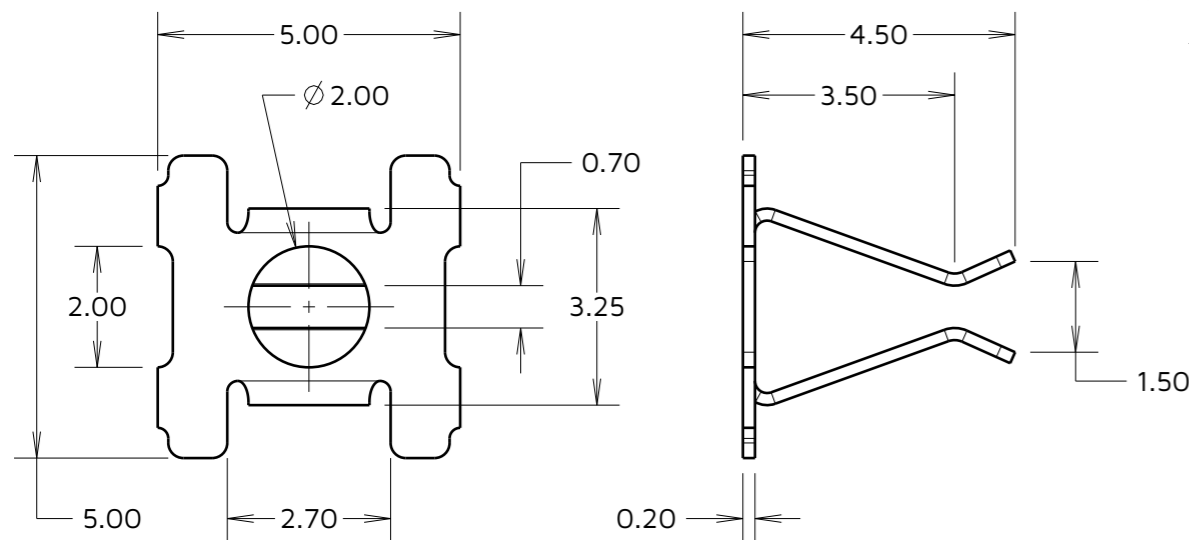
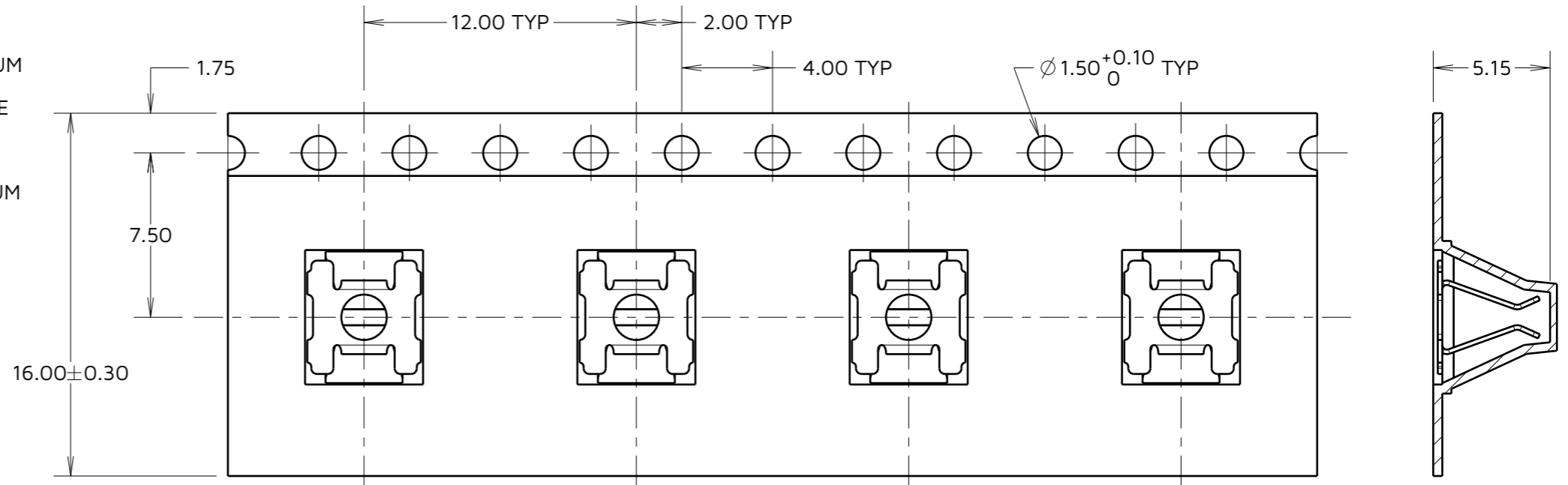
MATERIAL:
PHOSPHOR BRONZE

FINISH:
4.0 μ m MIN 100% TIN OVER 2.0 μ m MIN NICKEL

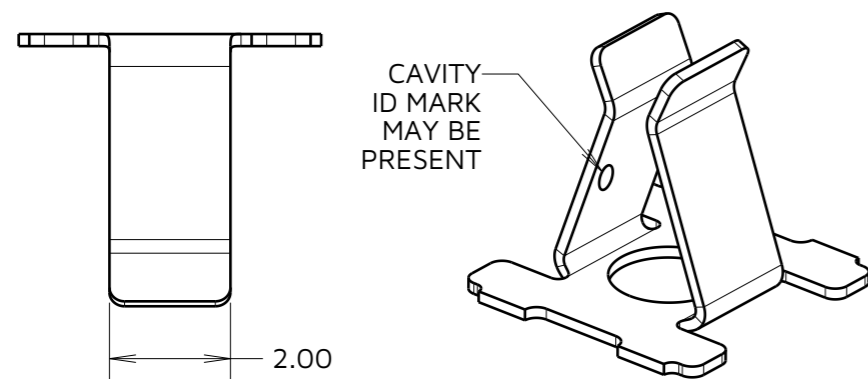
ELECTRICAL:
CURRENT RATING = 9A MAX WITH A $\phi 1.10$ mm PIN
CONTACT RESISTANCE (BEFORE CYCLING) = 2.67m Ω
CONTACT RESISTANCE (50 CYCLES) = 2.67m Ω
DURABILITY = 100 OPERATIONS

MECHANICAL:
MAX INSERTION FORCE WITH $\phi 1.10$ mm PIN = 2.8N
MAX INSERTION FORCE WITH $\phi 1.80$ mm PIN = 6.0N
MIN WITHDRAWAL FORCE WITH $\phi 1.10$ mm PIN = 0.3N
MIN WITHDRAWAL FORCE WITH $\phi 1.80$ mm PIN = 0.5N

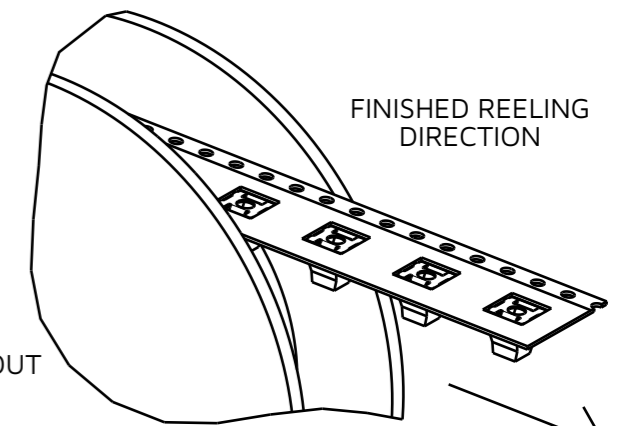
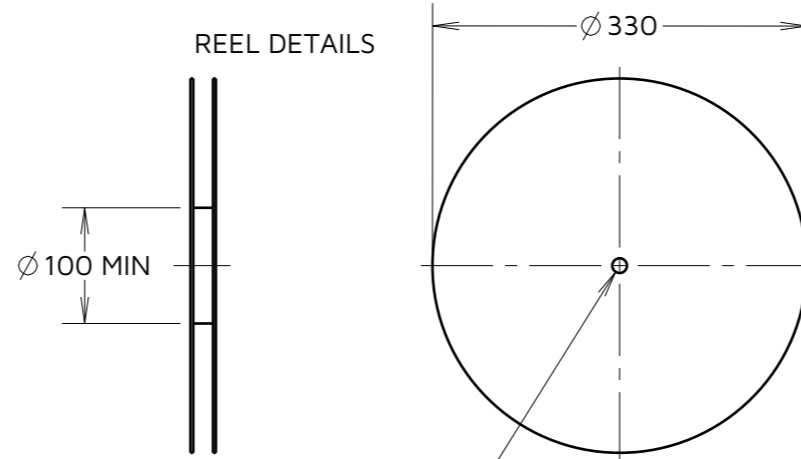
ENVIRONMENTAL:
OPERATING TEMPERATURE = -40° C TO +105° C
FOR COMPLETE SPECIFICATION, SEE HARWIN TEST REPORT SUMMARY HT007XX (LATEST ISSUE).



COMPONENT DIMENSIONS

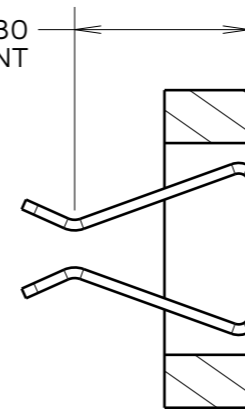


REEL DETAILS

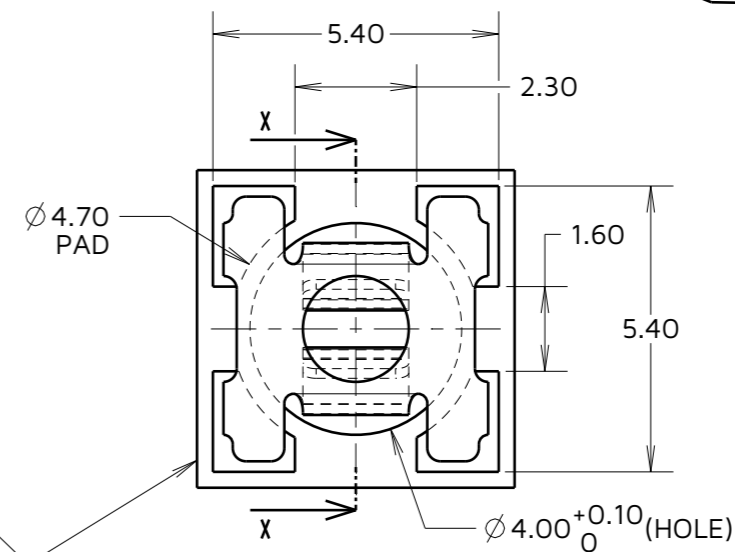


RECOMMENDED PCB PAD LAYOUT (TOLERANCE = ± 0.05)

CONTACT POINT



SECTION X-X



PCB

HARWIN

www.harwin.com

TOLERANCES
X. = ± 1 mm
X.X = ± 0.50 mm
X.XX = ± 0.20 mm
X.XXX = ± 0.01 mm
ANGLES = $\pm 5^\circ$
UNLESS STATED

THIS DRAWING AND ANY INFORMATION OR DESCRIPTIVE MATTER SET OUT HEREON ARE CONFIDENTIAL AND COPYRIGHT PROPERTY OF THE HARWIN GROUP AND MUST NOT BE DISCLOSED, LOANED, COPIED OR USED FOR MANUFACTURING, TENDERING OR FOR ANY OTHER PURPOSE WITHOUT THEIR WRITTEN PERMISSION.

MATERIAL:

SEE ABOVE

TITLE:

SMT CONTACT CLIP
IN TAPE & REEL

DRAWING NUMBER:

S9101-46R

RTP	9	04.07.23	32720
NAME	ISS.	DATE	CN/CO
APPROVED:		R.PORTLOCK	
CHECKED:		F.CHRISPINE	
DRAWN:		S.FLOWER	
ASSEMBLY DRG:			