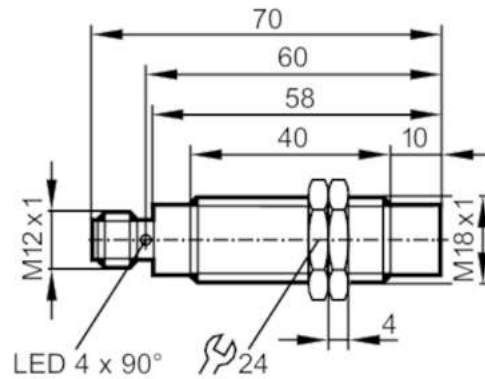




Inductive sensor

IGKC012-ASKG/M/US-104-DRS/2LED



Product characteristics

Electrical design		PNP/NPN
Output function		normally open
Sensing range	[mm]	12
Housing		threaded type
Dimensions	[mm]	M18 x 1 / L = 70

Application

Special feature		Gold-plated contacts; Increased sensing range; Optical setting aid
Application		Industrial applications / factory automation

Electrical data

Operating voltage	[V]	10...30 DC
Current consumption	[mA]	12; (24 V)
Protection class		II
Reverse polarity protection		yes

Outputs

Electrical design		PNP/NPN
Output function		normally open
Max. voltage drop switching output DC	[V]	2.8
Minimum load current	[mA]	2; (only in 2-wire operation)
Max. leakage current	[mA]	0.5; (only in 2-wire operation)
Permanent current rating of switching output DC	[mA]	100
Switching frequency DC	[Hz]	300
Short-circuit protection		yes
Type of short-circuit protection		pulsed
Overload protection		yes

Detection zone

Sensing range	[mm]	12
---------------	------	----

IGS209



Inductive sensor

IGKC012-ASKG/M/US-104-DRS/2LED

Real sensing range Sr	[mm]	12 ± 10 %
Operating distance	[mm]	0...9.7
Increased sensing range		yes

Accuracy / deviations

Correction factor		steel: 1 / stainless steel: 0.7 / brass: 0.5 / aluminium: 0.4 / copper: 0.3
Hysteresis	[% of Sr]	3...15
Switch point drift	[% of Sr]	-10...10

Operating conditions

Ambient temperature	[°C]	-25...70
Protection		IP 67

Tests / approvals

EMC	EN 61000-4-2 ESD	4 kV CD / 8 kV AD
	EN 61000-4-3 HF radiated	10 V/m
	EN 61000-4-4 Burst	2 kV
	EN 61000-4-6 HF conducted	10 V
	EN 55011	class B
MTTF	[years]	1359
UL approval	Ta	0...40 °C
	Enclosure type	Type 1
	power supply	Hazardous voltage
	File number UL	E174191

Mechanical data

Weight	[g]	53.5
Housing		threaded type
Mounting		non-flush mountable
Dimensions	[mm]	M18 x 1 / L = 70
Thread designation		M18 x 1
Materials		brass white bronze coated; sensing face: PBT

Displays / operating elements

Display	switching status	4 x 90° LED, yellow
	setting aid	1 x LED, red
Optical setting aid		yes

Accessories

Items supplied		lock nuts: 2
----------------	--	--------------

Remarks

Remarks		suitable for PLC type 1 according to IEC 61131-2
Pack quantity		1 pcs.

IGS209



Inductive sensor

IGKC012-ASKG/M/US-104-DRS/2LED

Electrical connection - plug

Connector: 1 x M12; coding: A; Contacts: gold-plated

