

RJ45 10/100 Base-T / Dual USB Combo Jack, w/ LEDs, Ext Temp

ARJ-150B

RoHS/RoHS II Compliant



18.85 x 27.40 x 30.52mm

FEATURES:

- Compliant with IEEE802.3ab standard
- Tab up RJ45 Jack + 2USB Combo
- High performance for maximum EMI suppression
- 350 μ H minimum OCL with 8mA bias current
- RoHS peak wave solder temperature 260°C

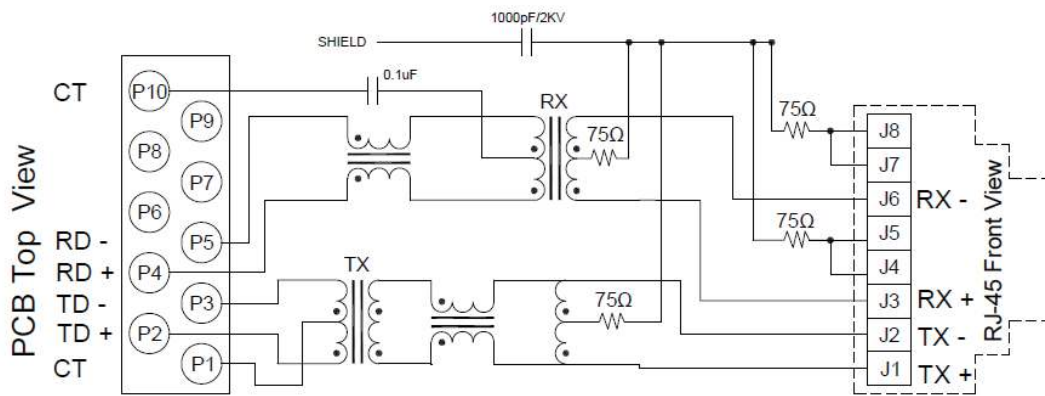
APPLICATIONS:

- Support 10/100 Base-T applications w/ Bi-Color LEDs
- Extended Temperature (-40°C~85°C)
- Network Interface Cards(NIC), LAN-on-Motherboard(LOM) and PC
- Suitable CAT 3, 5e & 6 cable and UTP
- Provides signal conditioning, EMI suppression and signal isolation

STANDARD SPECIFICATIONS

Parameters	Minimum	Typical	Maximum	Units	Notes
Operating Temperature	-40		+85	°C	
Storage Temperature	-40		+85	°C	
Turn Ratio ($\pm 2\%$)	1CT:1				Tx
	1CT:1CT				Rx
Inductance (OCL)	350			μ H	100KHz/0.1V@8mA
Insertion Loss			-1.0	dB	1-100MHz
Return Loss		-20		dB	1-10MHz
		-16			30MHz
		-12			60-80MHz
Cross Talk	-40			dB	1-10MHz
	-35				32-60MHz
	-30				60-100MHz
CMR		-30		dB	1-50MHz
		-20			50-130MHz
Hi-Pot	1500Vrms				Pri to Sec

SCHEMATICS



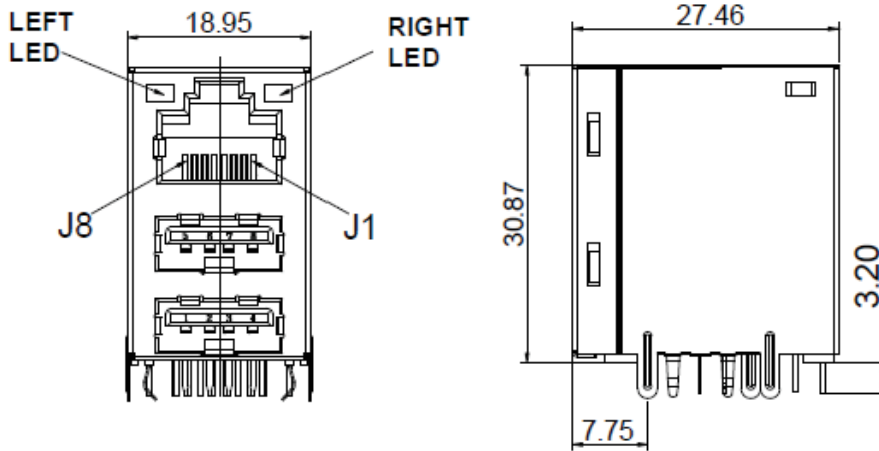
Standard LED	Wavelength	Forward*V(MAX)	TYP
Green	565nm	7.0v	6.8v
Yellow	585nm	8.5v	7.5v

With a forward current of 20mA

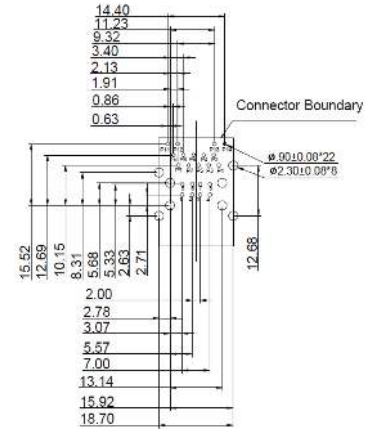


18.85 x 27.40 x 30.52mm

MECHANICAL DIMENSIONS

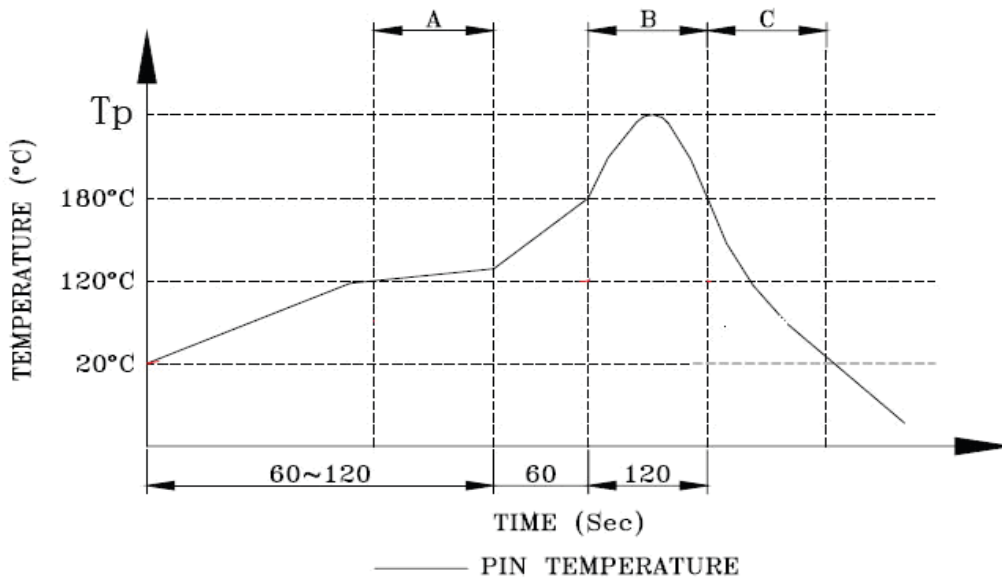


Recommended PCB Layout Component Side Shown



Dimensions: mm (Unless otherwise specified, tolerances are ± 0.25)

WAVE SOLDERING PROFILE



A. Preheating B. Soldering C. Gradual Cooling

Peak temperature (T_p) : $250 \pm 10^\circ\text{C}$

Peak temperature (T_p) time : 5sec max

RJ45 10/100 Base-T / Dual USB Combo Jack, w/ LEDs, Ext Temp

ARJ-150B

RoHS
Compliant

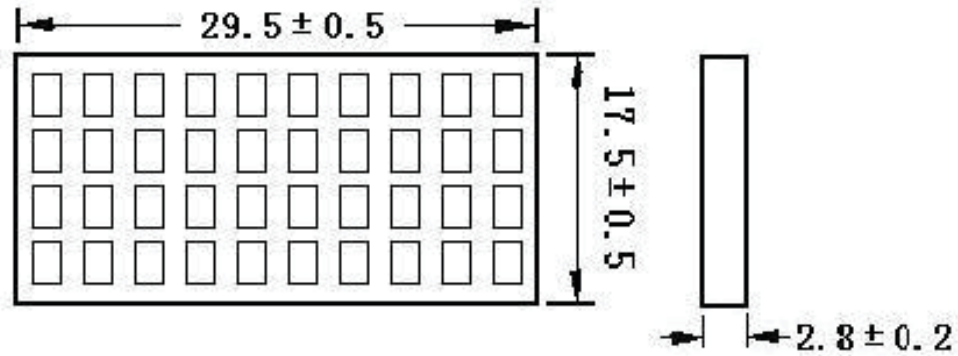


18.85 x 27.40 x 30.52mm

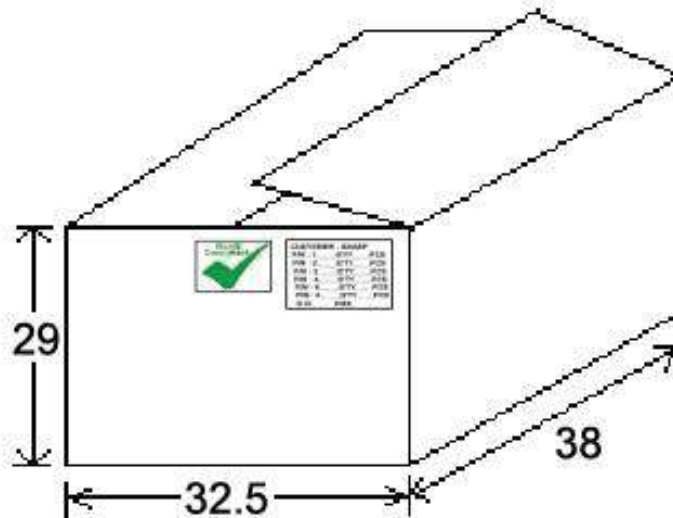
➤ **PACKING: 44pcs/tray**

Packaging: 40pcs/tray
Weight: 20.2 grams / pcs

Packaging Material: PET



Outer carton unit (optional): 560 pcs/14 trays/box 14.1kg per carton



Dimensions: cm

ATTENTION: Abracon LLC's products are COTS – Commercial-Off-The-Shelf products; suitable for Commercial, Industrial and, where designated, Automotive Applications. Abracon's products are not specifically designed for Military, Aviation, Aerospace, Life-dependent Medical applications or any application requiring high reliability where component failure could result in loss of life and/or property. For applications requiring high reliability and/or presenting an extreme operating environment, written consent and authorization from Abracon LLC is required. Please contact Abracon LLC for more information.